



US00D803838S

(12) **United States Design Patent** (10) **Patent No.:** **US D803,838 S**
Raken et al. (45) **Date of Patent:** **** Nov. 28, 2017**

(54) **MOUSE**

(71) Applicant: **Microsoft Corporation**, Redmond, WA (US)

(72) Inventors: **Jan Raken**, Seattle, WA (US); **Tim Escolin**, Seattle, WA (US)

(73) Assignee: **Microsoft Corporation**, Redmond, WA (US)

(**) Term: **15 Years**

(21) Appl. No.: **29/576,819**

(22) Filed: **Sep. 7, 2016**

(51) **LOC (10) Cl.** **14-02**

(52) **U.S. Cl.**
USPC **D14/408**

(58) **Field of Classification Search**
USPC D14/402-411, 356, 388, 389, 383-385, D14/417, 426; 345/156-167; 463/36-38; 358/471, 473; 273/148 B
CPC G06F 3/03543; G06F 2203/0333; G06F 3/039; G06F 3/038; G06F 2203/0384
See application file for complete search history.

(56) **References Cited**

U.S. PATENT DOCUMENTS

D437,599 S *	2/2001	Kaneko	D14/402
D439,252 S *	3/2001	Ledbetter	D14/402
D487,745 S *	3/2004	Morisawa	D14/408
D513,259 S *	12/2005	Chen	D14/402
D549,703 S *	8/2007	Nakata	D14/402
D630,214 S *	1/2011	Kim	D14/408
D630,218 S *	1/2011	Kujawski	D14/408
D635,572 S	4/2011	Kujawski et al.		
D642,567 S	8/2011	Kujawski		
D642,568 S	8/2011	Kujawski		
D651,604 S	1/2012	Fischer		

D658,650 S	5/2012	Kujawski et al.		
D665,806 S *	8/2012	Lee	D14/408
D667,009 S *	9/2012	Kujawski	D14/408
D676,849 S *	2/2013	Kujawski	D14/408
D724,590 S *	3/2015	Hwang	D14/408
D725,111 S *	3/2015	Jeong	D14/408
D738,884 S *	9/2015	Zheng	D14/408
D753,659 S	4/2016	Schoeck et al.		
D782,480 S *	3/2017	Nalbandian	D14/408
D793,393 S *	8/2017	Jeong	D14/402

* cited by examiner

Primary Examiner — Austin Murphy

(74) *Attorney, Agent, or Firm* — Banner & Witcoff, Ltd.

(57) **CLAIM**

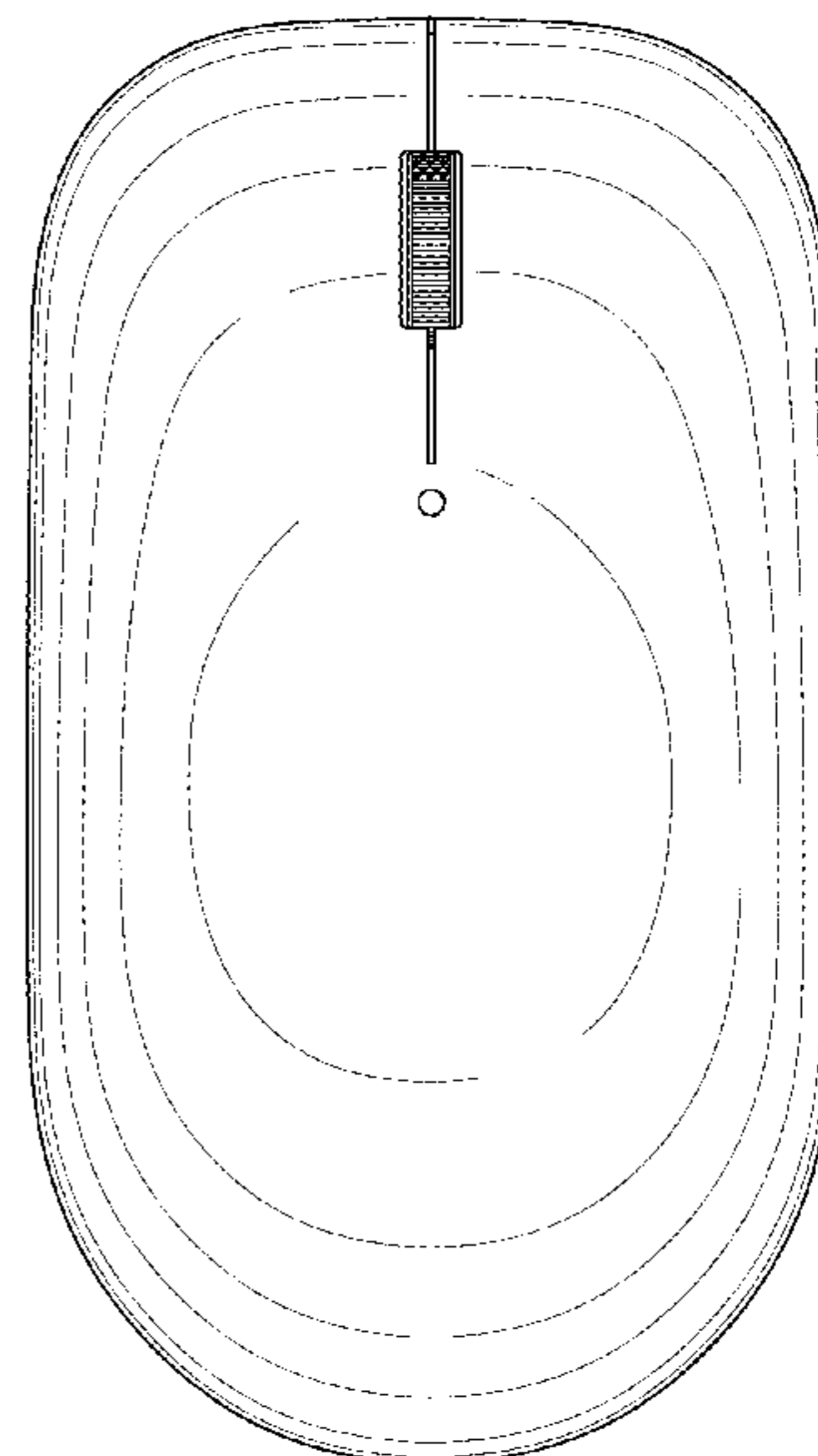
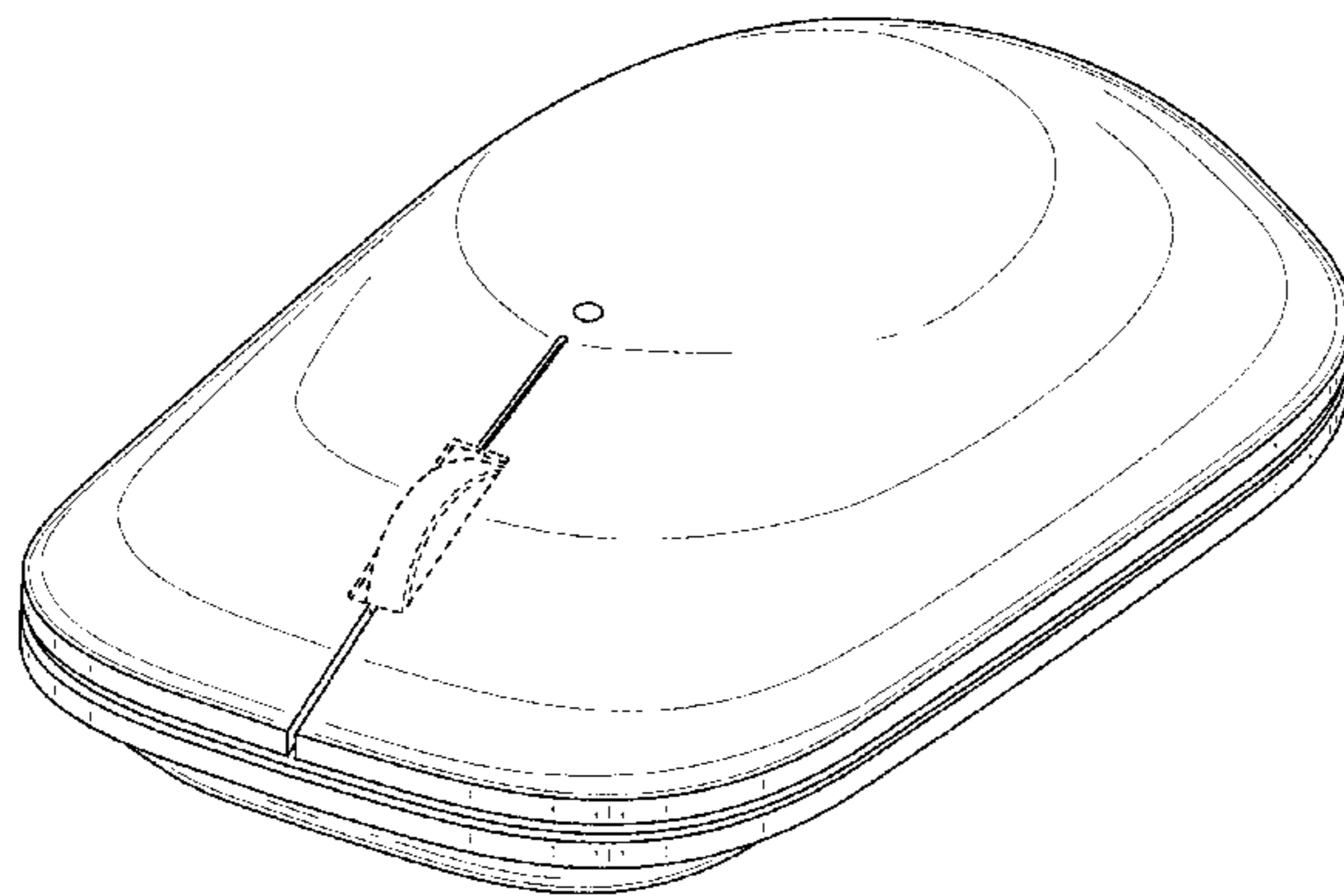
The ornamental design for a mouse, as shown and described.

DESCRIPTION

FIG. 1 is a front perspective view of a mouse showing our new design;
 FIG. 2 is a top view thereof;
 FIG. 3 is a right side view thereof;
 FIG. 4 is a left side view thereof;
 FIG. 5 is a front side view thereof;
 FIG. 6 is a rear view thereof;
 FIG. 7 is a bottom view thereof;
 FIG. 8 is a front perspective view of an alternative embodiment of a mouse showing our new design;
 FIG. 9 is a top view thereof;
 FIG. 10 is a right side view thereof;
 FIG. 11 is a left side view thereof;
 FIG. 12 is a front side view thereof;
 FIG. 13 is a rear view thereof; and,
 FIG. 14 is a bottom view thereof.

The broken line showing of the various unshaded elements of the mouse in FIGS. 1-7 and 10-14 represents unclaimed subject matter and forms no part of the claimed design.

1 Claim, 10 Drawing Sheets



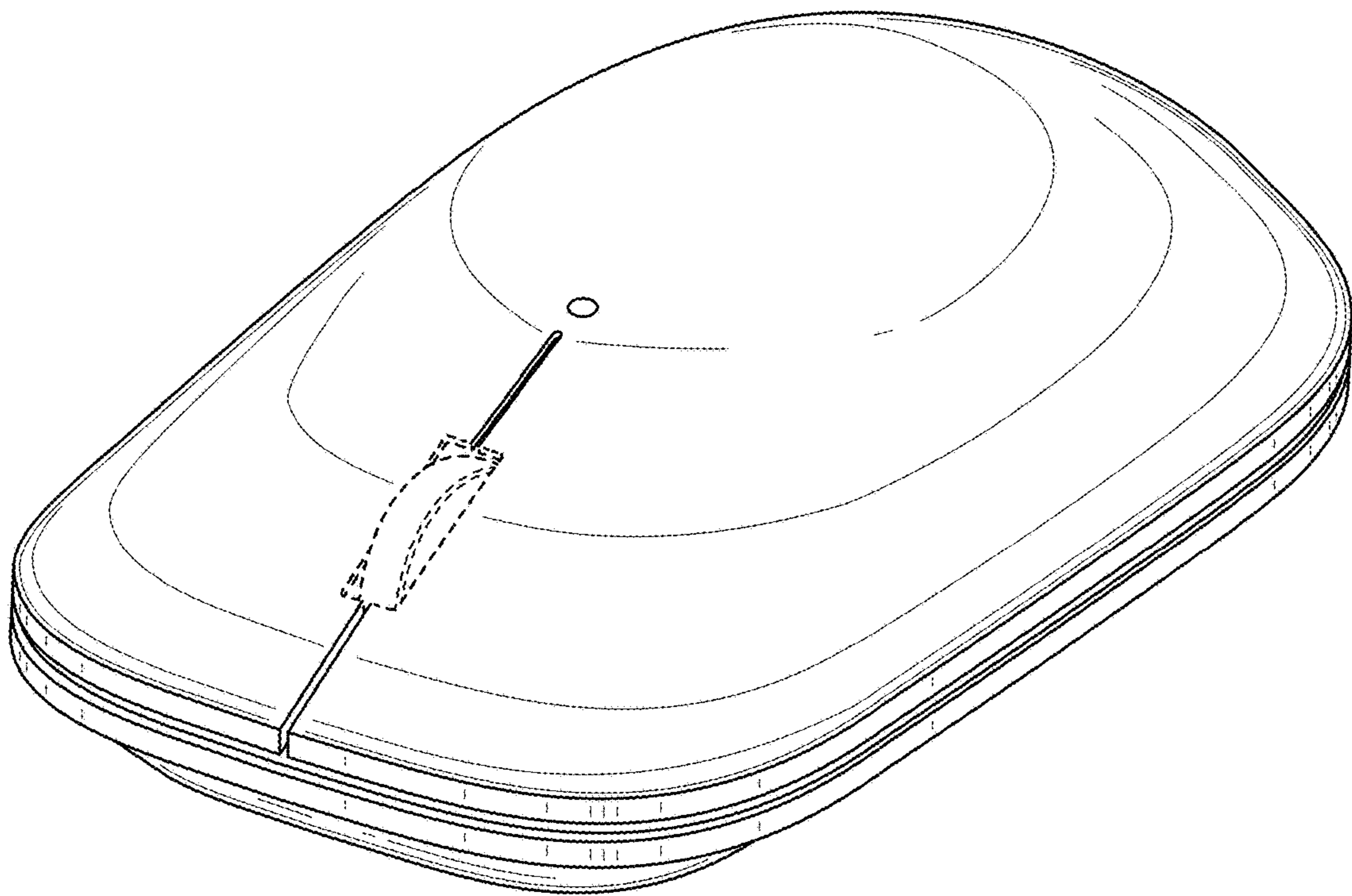


FIG. 1

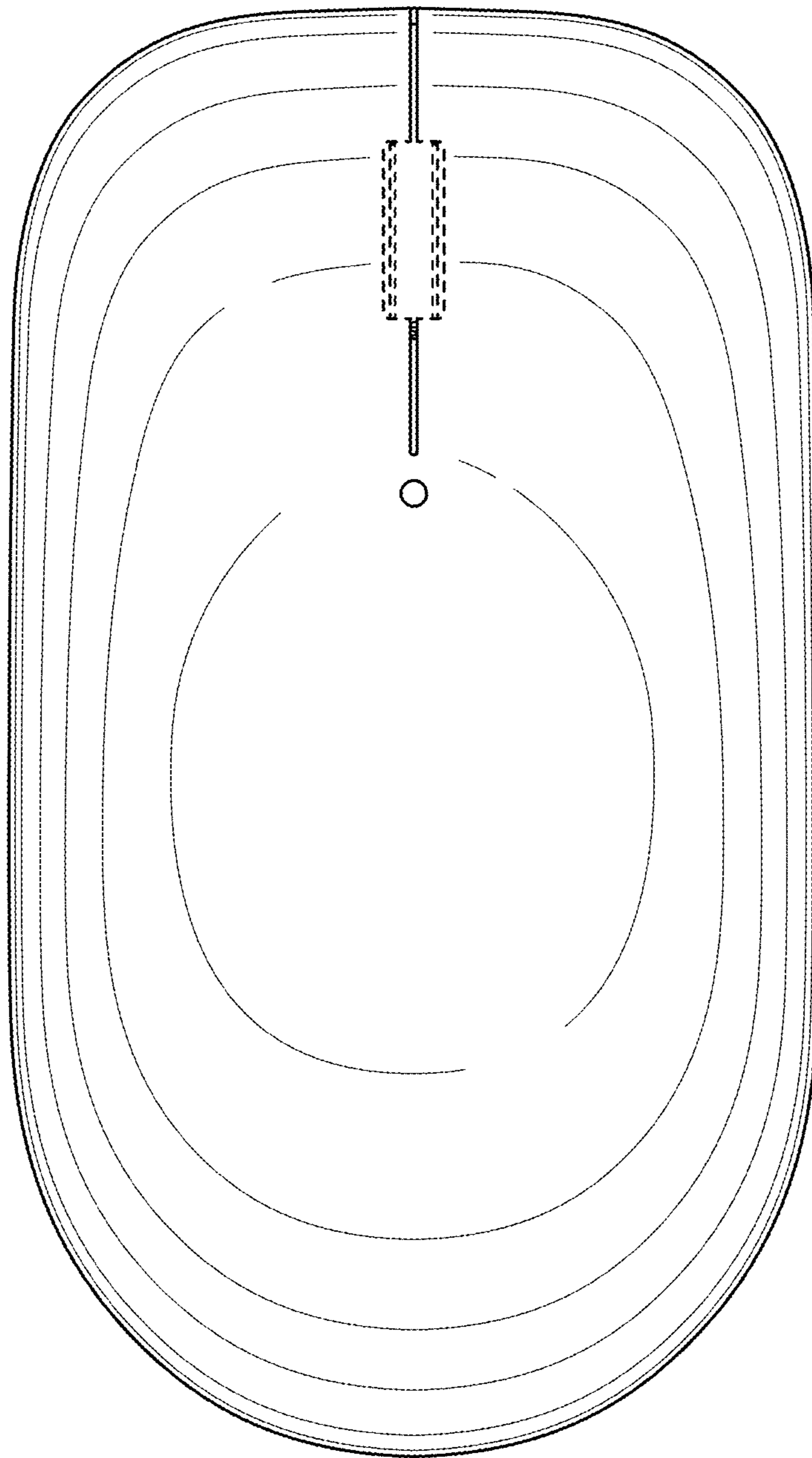


FIG. 2

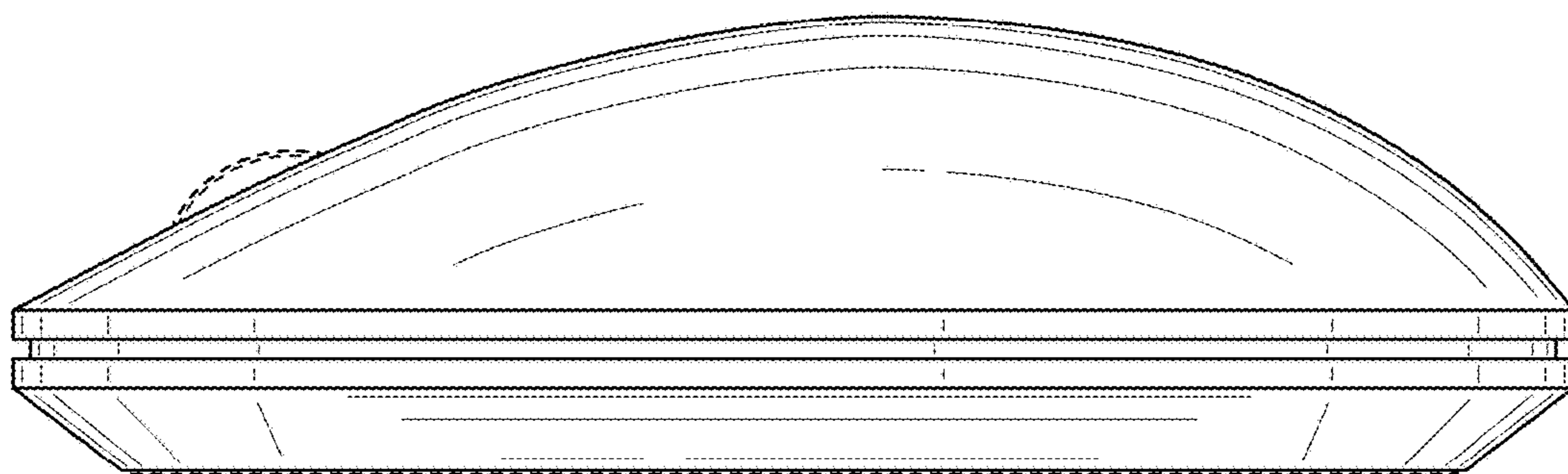


FIG. 3

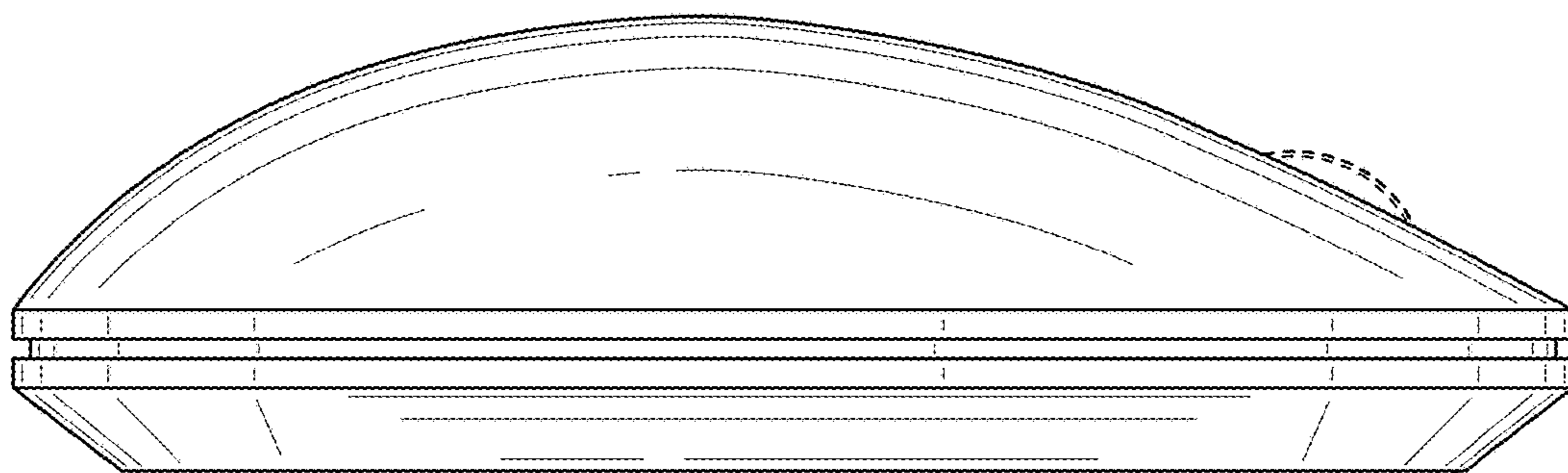


FIG. 4

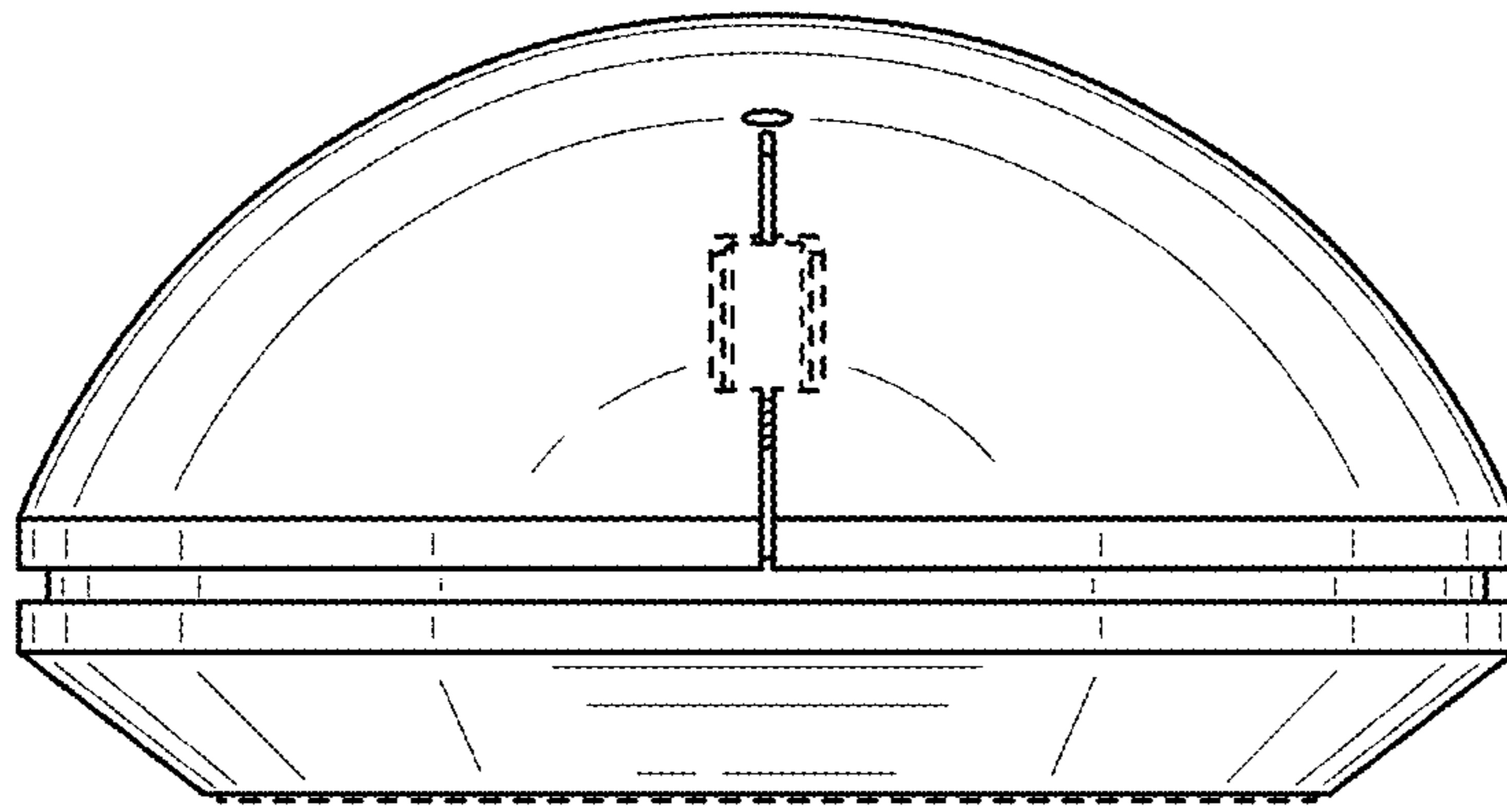


FIG. 5

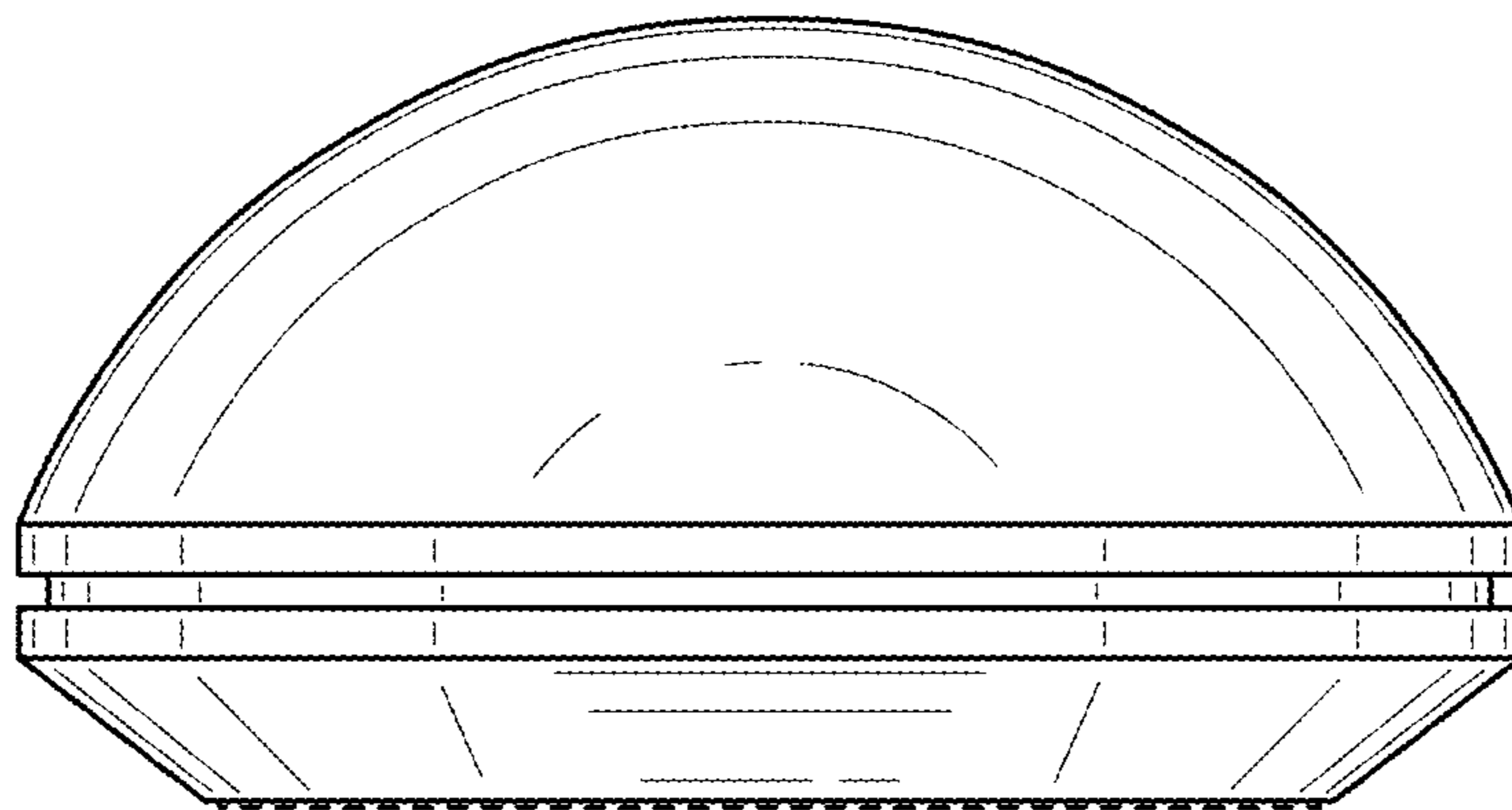


FIG. 6

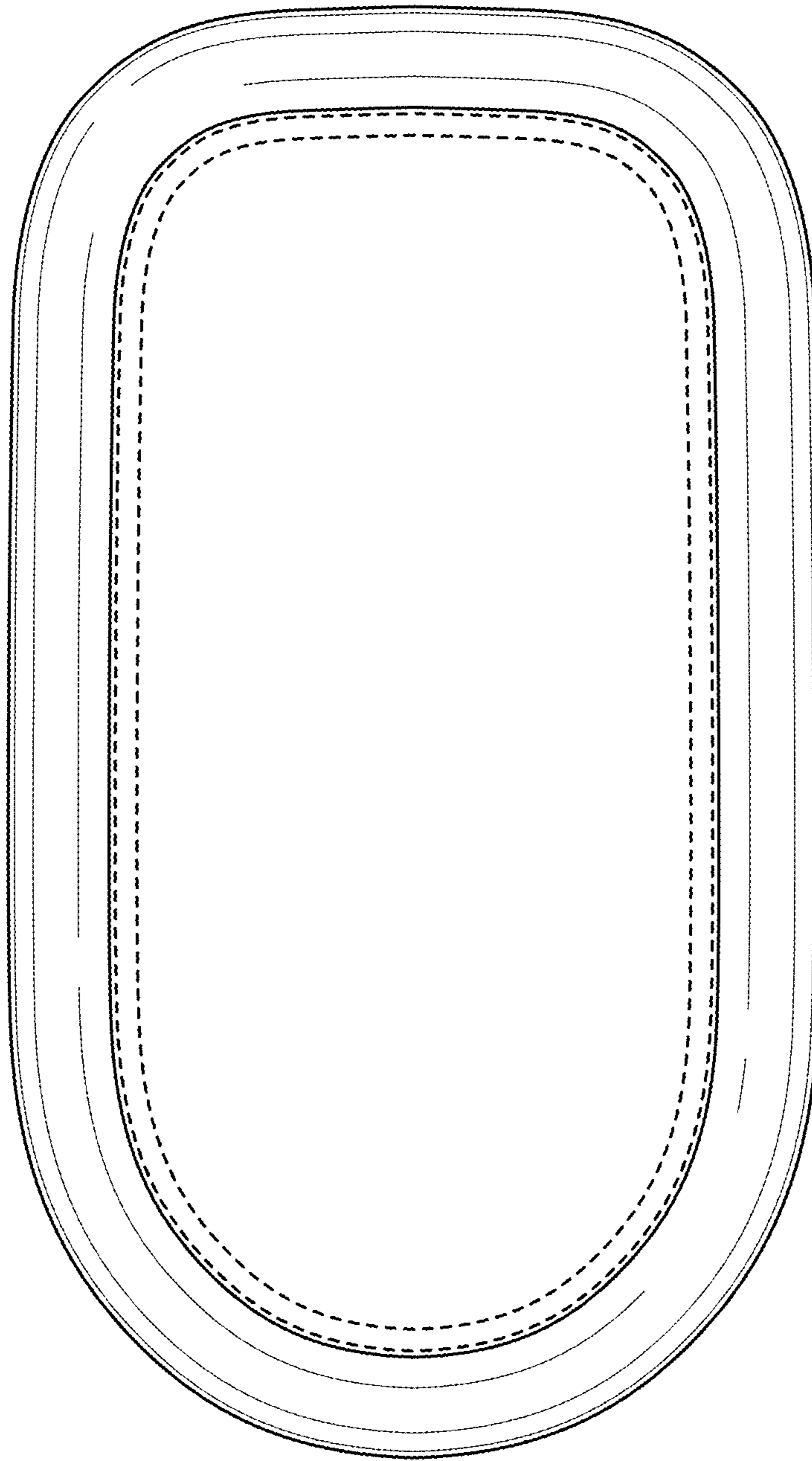


FIG. 7

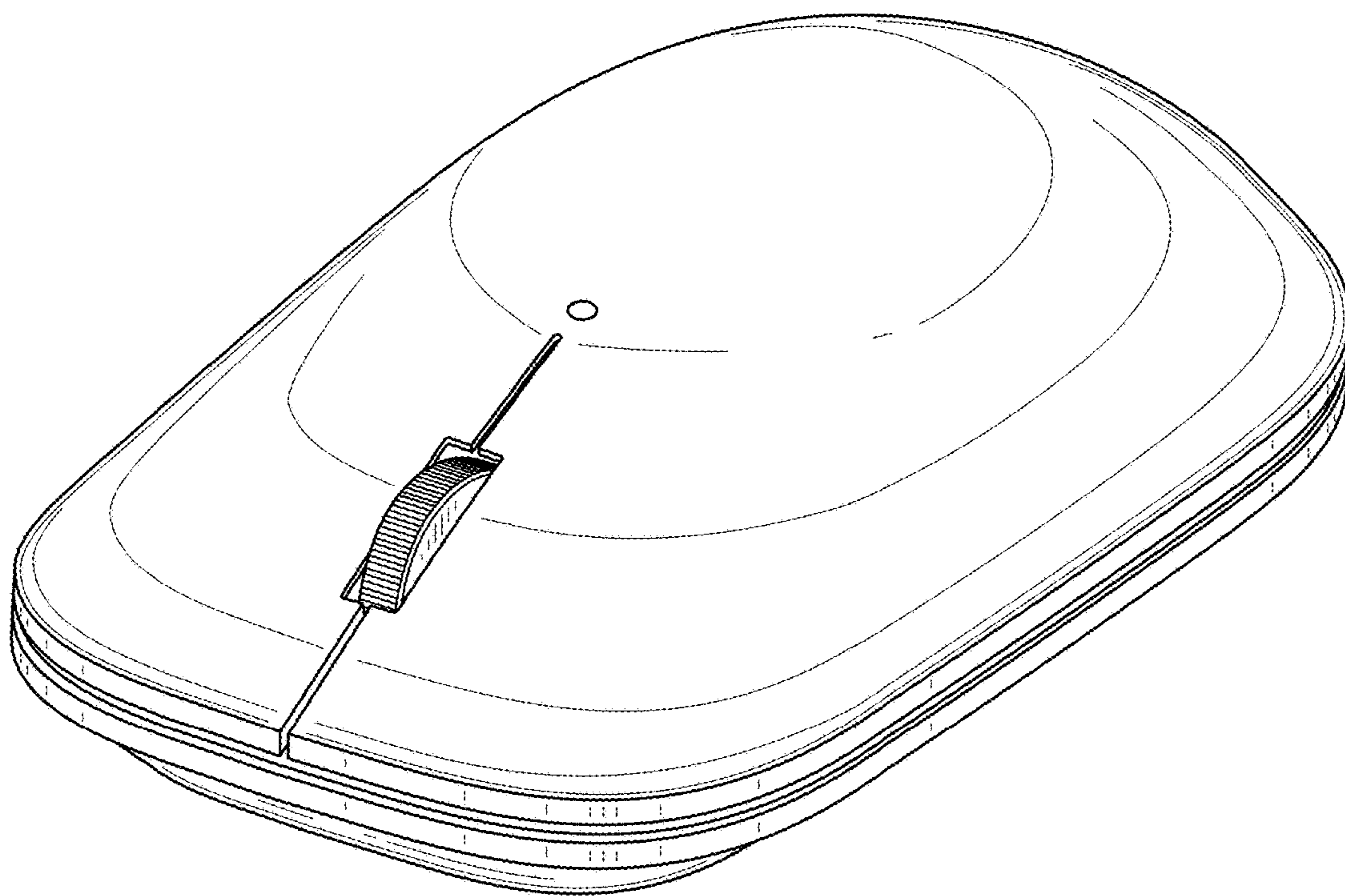


FIG. 8

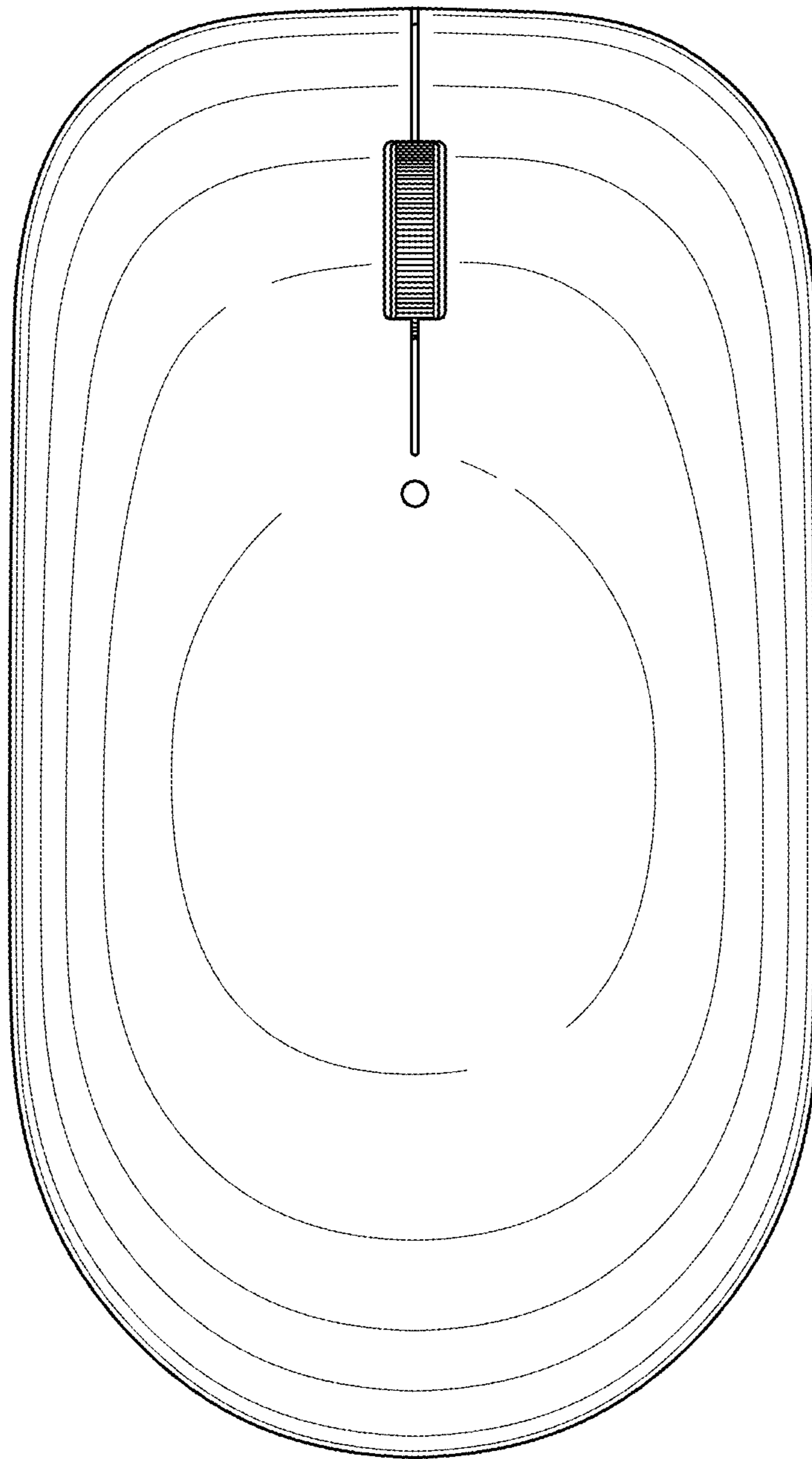


FIG. 9

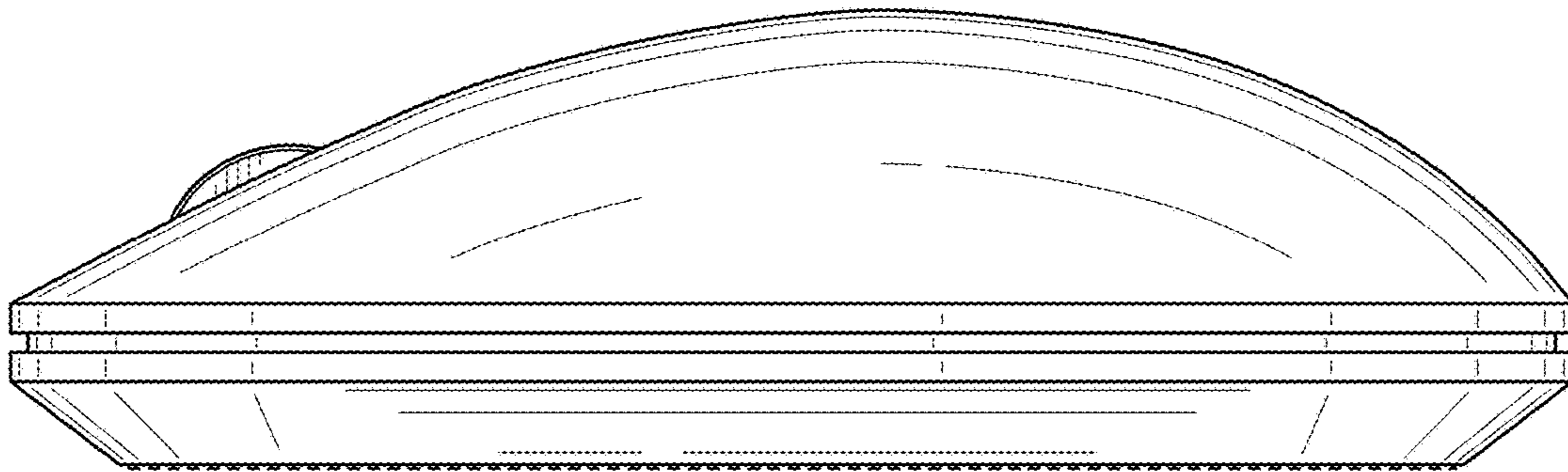


FIG. 10

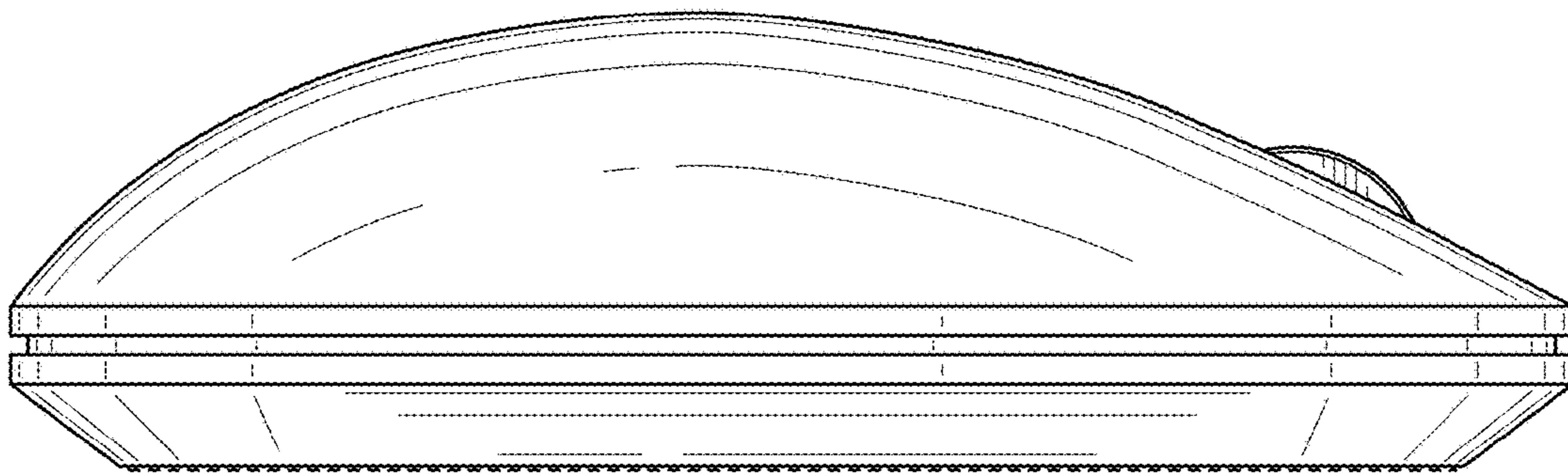


FIG. 11

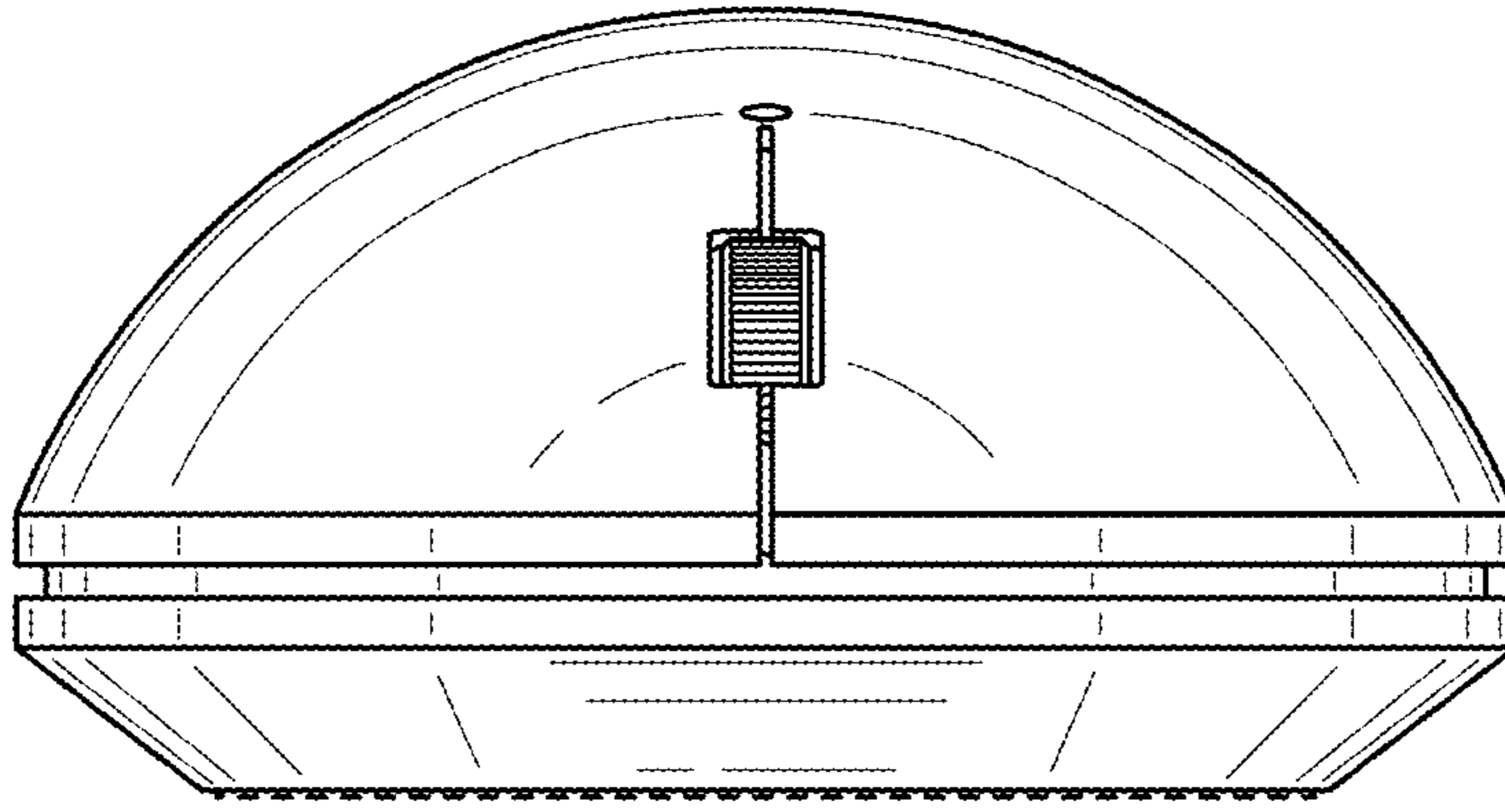


FIG. 12

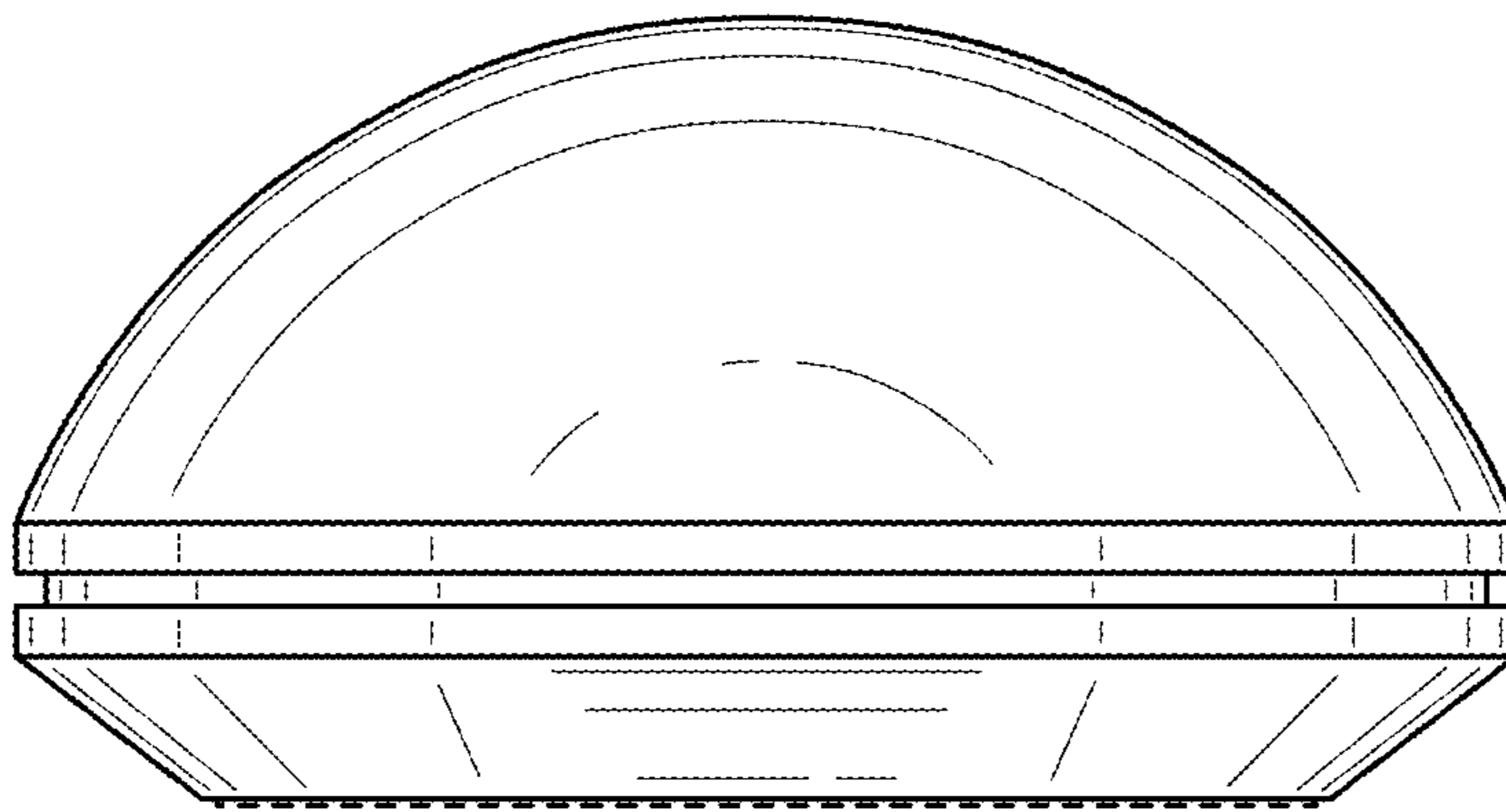


FIG. 13

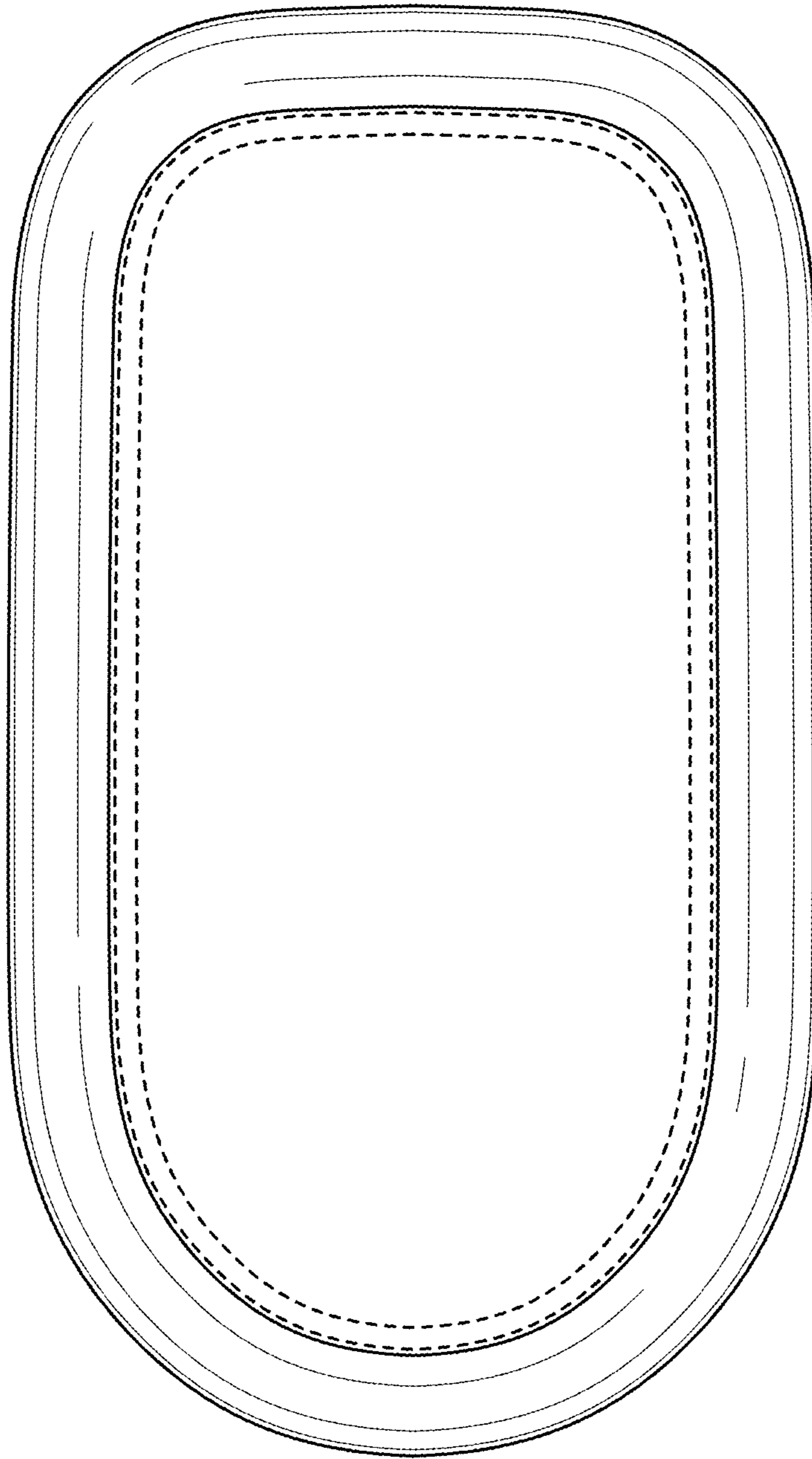


FIG. 14