



US00D803827S

(12) **United States Design Patent**
Escolin et al.

(10) **Patent No.:** **US D803,827 S**
(45) **Date of Patent:** **** Nov. 28, 2017**

(54) **COMPUTING DEVICE**

(71) Applicant: **Microsoft Corporation**, Redmond, WA (US)

(72) Inventors: **Timothy Escolin**, Seattle, WA (US); **Jan Raken**, Seattle, WA (US); **James David Wahl**, Woodinville, WA (US); **Angela Chen Krauskopf**, Sammamish, WA (US); **Anthony Hewett**, Duvall, WA (US); **Spencer B. Eggert**, Redmond, WA (US)

(73) Assignee: **Microsoft Corporation**, Redmond, WA (US)

(**) Term: **15 Years**

(21) Appl. No.: **29/573,573**

(22) Filed: **Aug. 8, 2016**

(51) **LOC (10) Cl.** **14-02**

(52) **U.S. Cl.**
USPC **D14/336**

(58) **Field of Classification Search**
USPC D14/371–375, 125–129, 336, 337, 341, D14/239, 451; 341/12; 345/104, 156,
(Continued)

(56) **References Cited**

U.S. PATENT DOCUMENTS

D319,435 S * 8/1991 Brown D14/336
D619,133 S * 7/2010 Bucsa D14/314
(Continued)

Primary Examiner — Freda S Nunn

(74) *Attorney, Agent, or Firm* — Banner & Witcoff, Ltd.

(57) **CLAIM**

The ornamental design for a computing device, as shown and described.

DESCRIPTION

FIG. 1 is a front perspective view of a computing device showing our new design;

FIG. 2 is a rear perspective view thereof;
FIG. 3 is a front view thereof;
FIG. 4 is a rear view thereof;
FIG. 5 is a right side view thereof;
FIG. 6 is a left side view thereof;
FIG. 7 is a top view thereof;
FIG. 8 is a bottom view thereof;
FIG. 9 is a front perspective view of an alternative embodiment of a computing device showing our new design;
FIG. 10 is a rear perspective view thereof;
FIG. 11 is a front view thereof;
FIG. 12 is a rear view thereof;
FIG. 13 is a right side view thereof;
FIG. 14 is a left side view thereof;
FIG. 15 is a top view thereof;
FIG. 16 is a bottom view thereof;
FIG. 17 is a front perspective view of an alternative embodiment of a computing device showing our new design;
FIG. 18 is a rear perspective view thereof;
FIG. 19 is a front view thereof;
FIG. 20 is a rear view thereof;
FIG. 21 is a right side view thereof;
FIG. 22 is a left side view thereof;
FIG. 23 is a top view thereof;
FIG. 24 is a bottom view thereof;
FIG. 25 is a front perspective view of an alternative embodiment of a computing device showing our new design;
FIG. 26 is a rear perspective view thereof;
FIG. 27 is a front view thereof;
FIG. 28 is a rear view thereof;
FIG. 29 is a right side view thereof;
FIG. 30 is a left side view thereof;
FIG. 31 is a top view thereof;
FIG. 32 is a bottom view thereof;
FIG. 33 is a front perspective view of an alternative embodiment of a computing device showing our new design;
FIG. 34 is a rear perspective view thereof;
FIG. 35 is a front view thereof;
FIG. 36 is a rear view thereof;
FIG. 37 is a right side view thereof;
FIG. 38 is a left side view thereof;
FIG. 39 is a top view thereof;
FIG. 40 is a bottom view thereof;

(Continued)

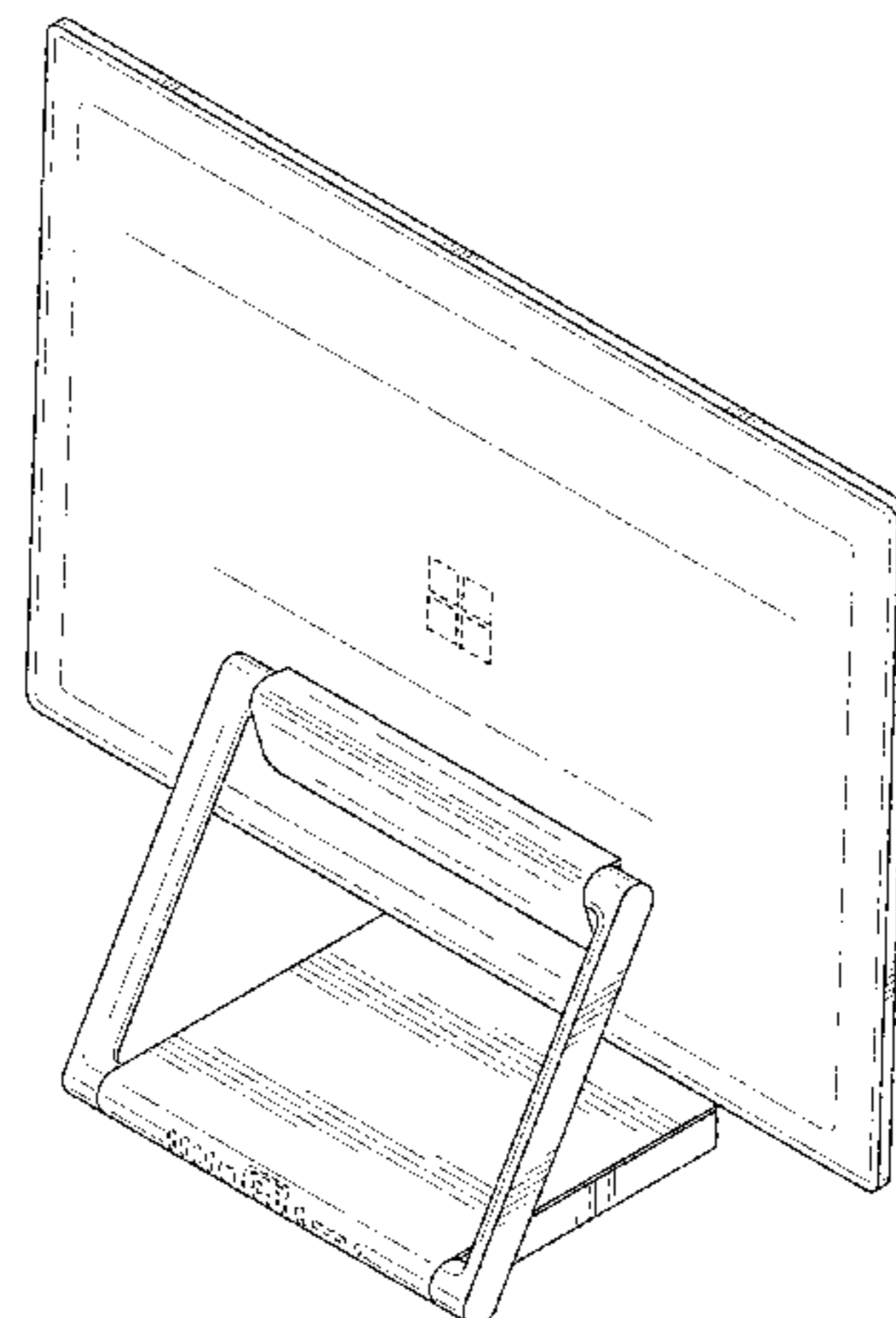
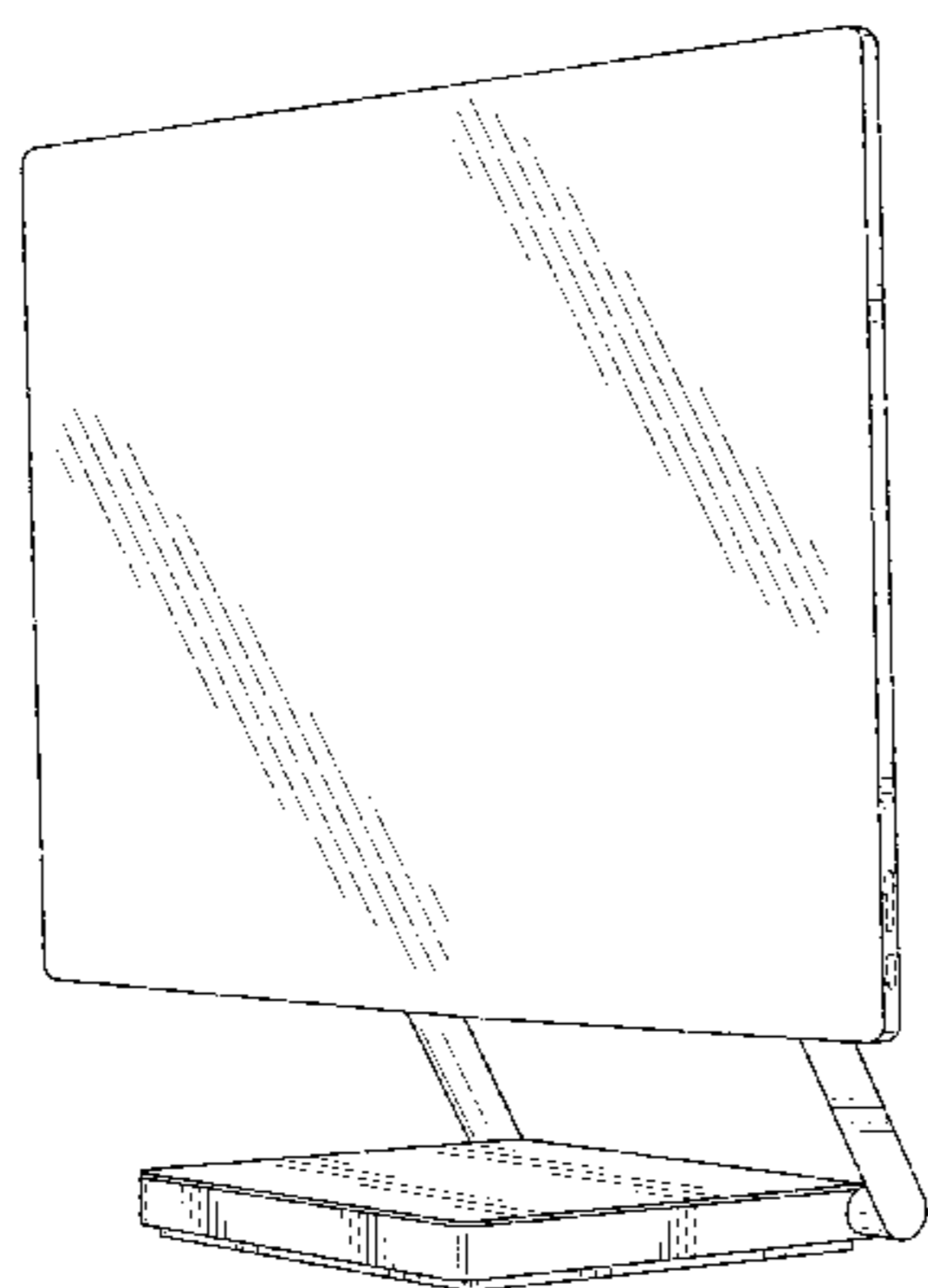


FIG. 41 is a front perspective view of an alternative embodiment of a computing device showing our new design;
FIG. 42 is a rear perspective view thereof;
FIG. 43 is a front view thereof;
FIG. 44 is a rear view thereof;
FIG. 45 is a right side view thereof;
FIG. 46 is a left side view thereof;
FIG. 47 is a top view thereof; and,
FIG. 48 is a bottom view thereof.

The contrast in shading in the figures illustrates a difference in appearance and does not depict and particular color, texture, or material. The broken line showing of the various elements in the figures is for environmental purposes only and forms no part of the claimed design.

1 Claim, 39 Drawing Sheets

(58) **Field of Classification Search**

USPC 345/168, 173; 348/180, 184, 325, 739;
349/1, 2, 11, 62; 361/679.05–679.07,
361/679.21; D6/300, 308

CPC G06F 1/16; G06F 1/1601; G06F 3/037;
G06F 1/162; G06F 1/1613; G06F
1/133308; F16M 11/02; F16M 11/10;
F16M 11/00; F16M 11/06; F16M 11/18;
F16M 11/045; F16M 11/105; F16M
11/041; F16M 11/126; F16M 11/04;
F16M 13/02; F16M 11/24; A47F 5/00

See application file for complete search history.

(56)

References Cited

U.S. PATENT DOCUMENTS

D678,272 S 3/2013 Groene et al.
D678,877 S 3/2013 Groene et al.
D696,254 S 12/2013 Groene et al.
D700,178 S * 2/2014 Ma D14/331
D754,655 S 4/2016 Groene et al.
2006/0256512 A1* 11/2006 Esther Kang G06F 1/162
361/679.05

* cited by examiner

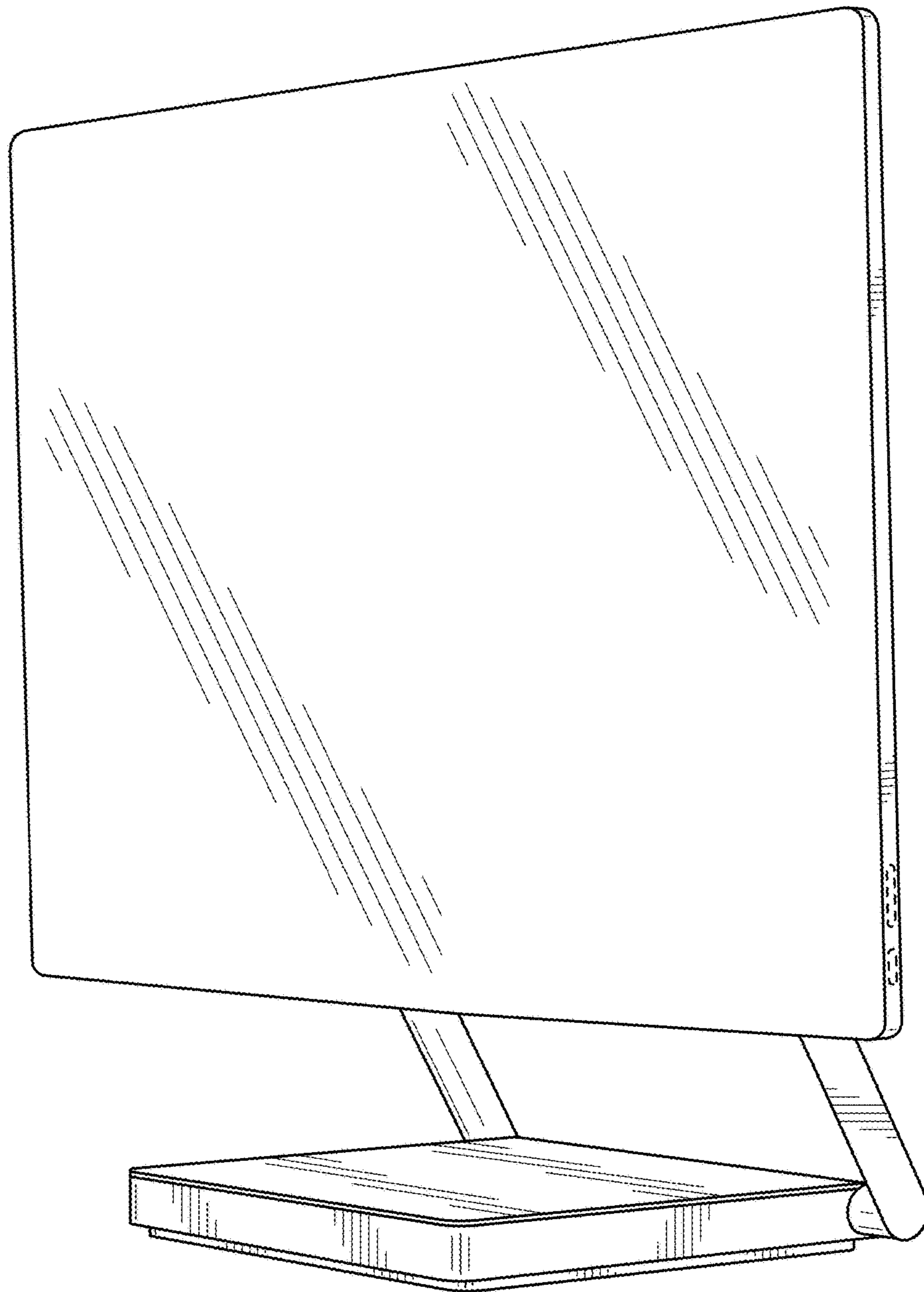


FIG. 1

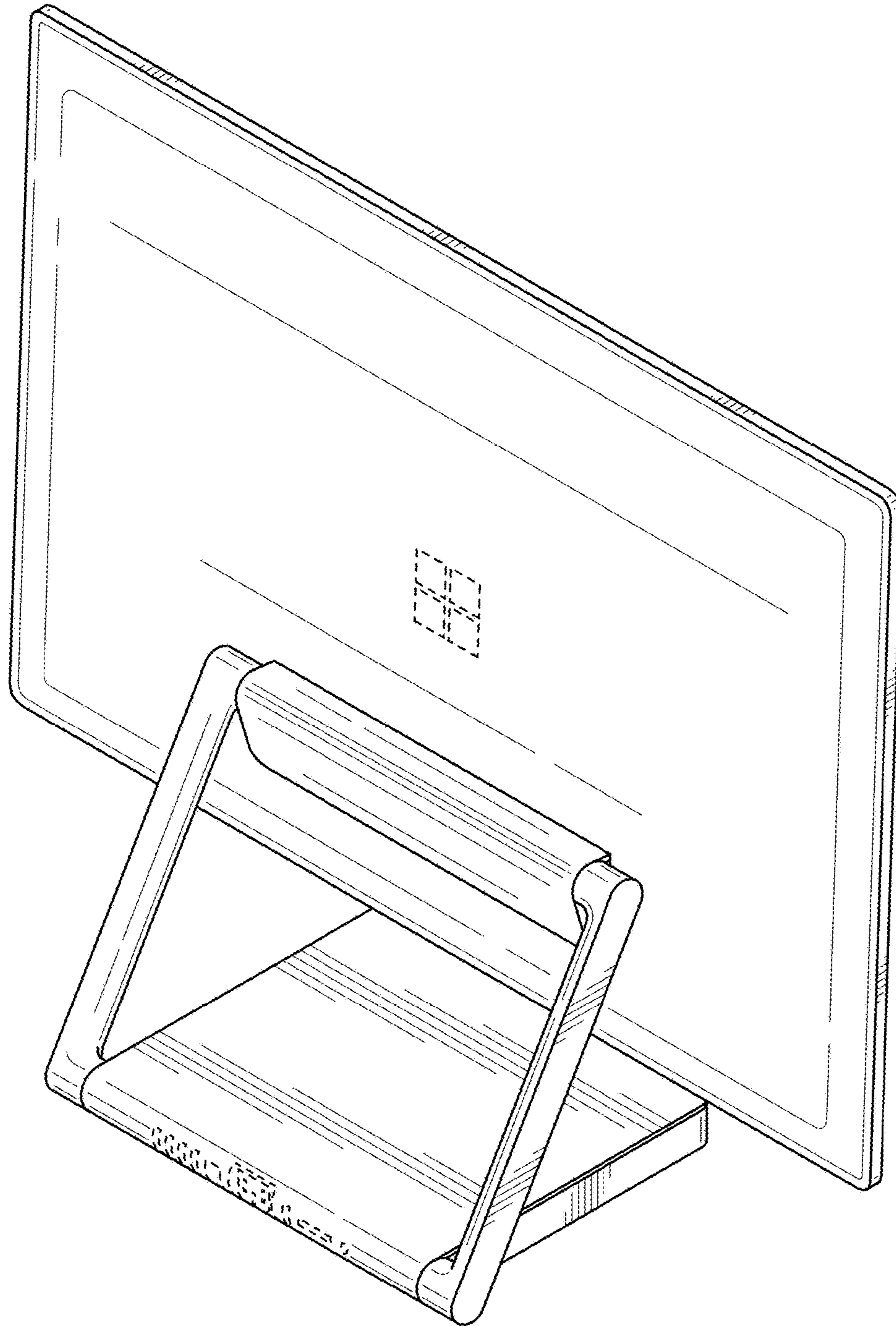


FIG. 2

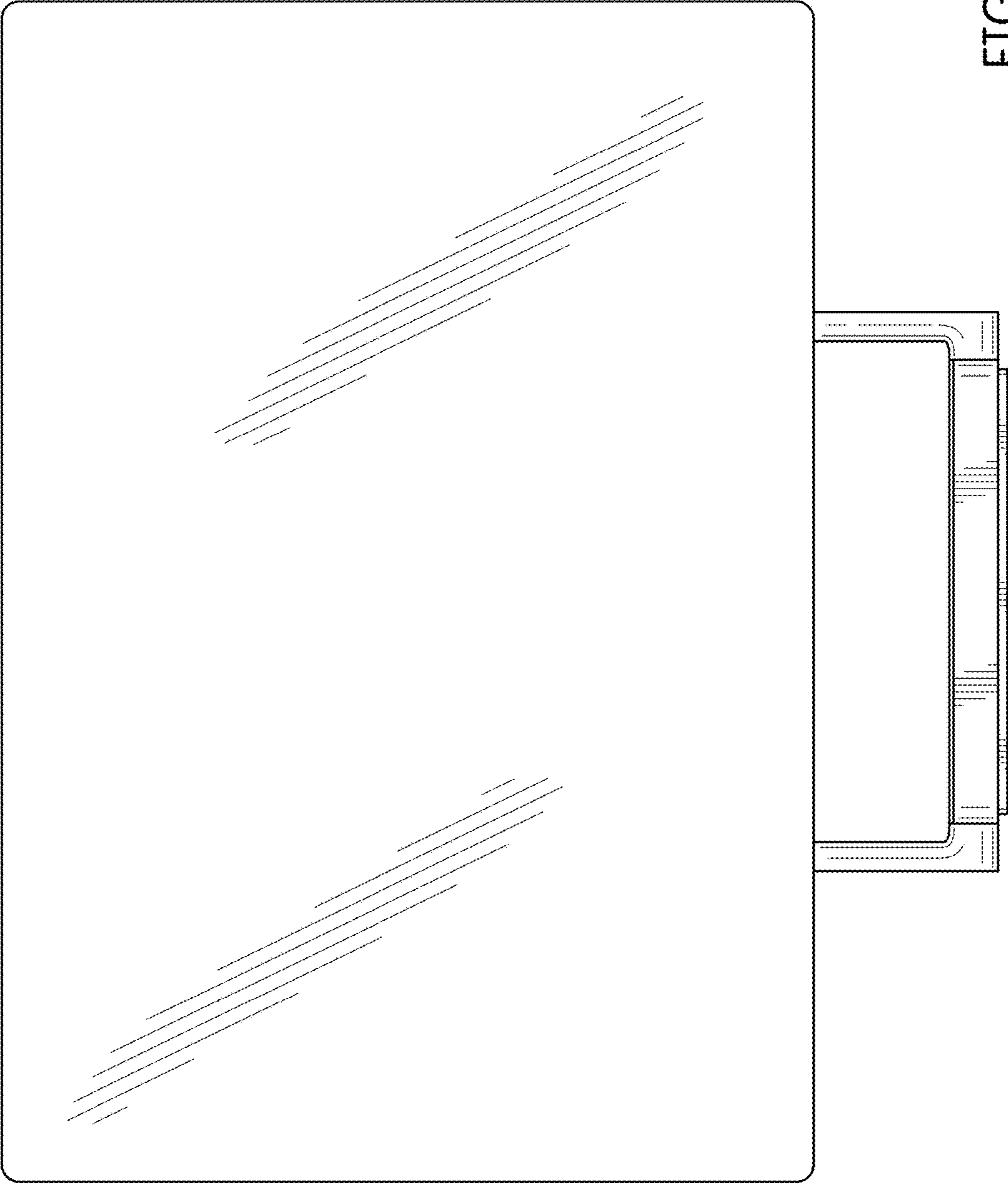


FIG. 3

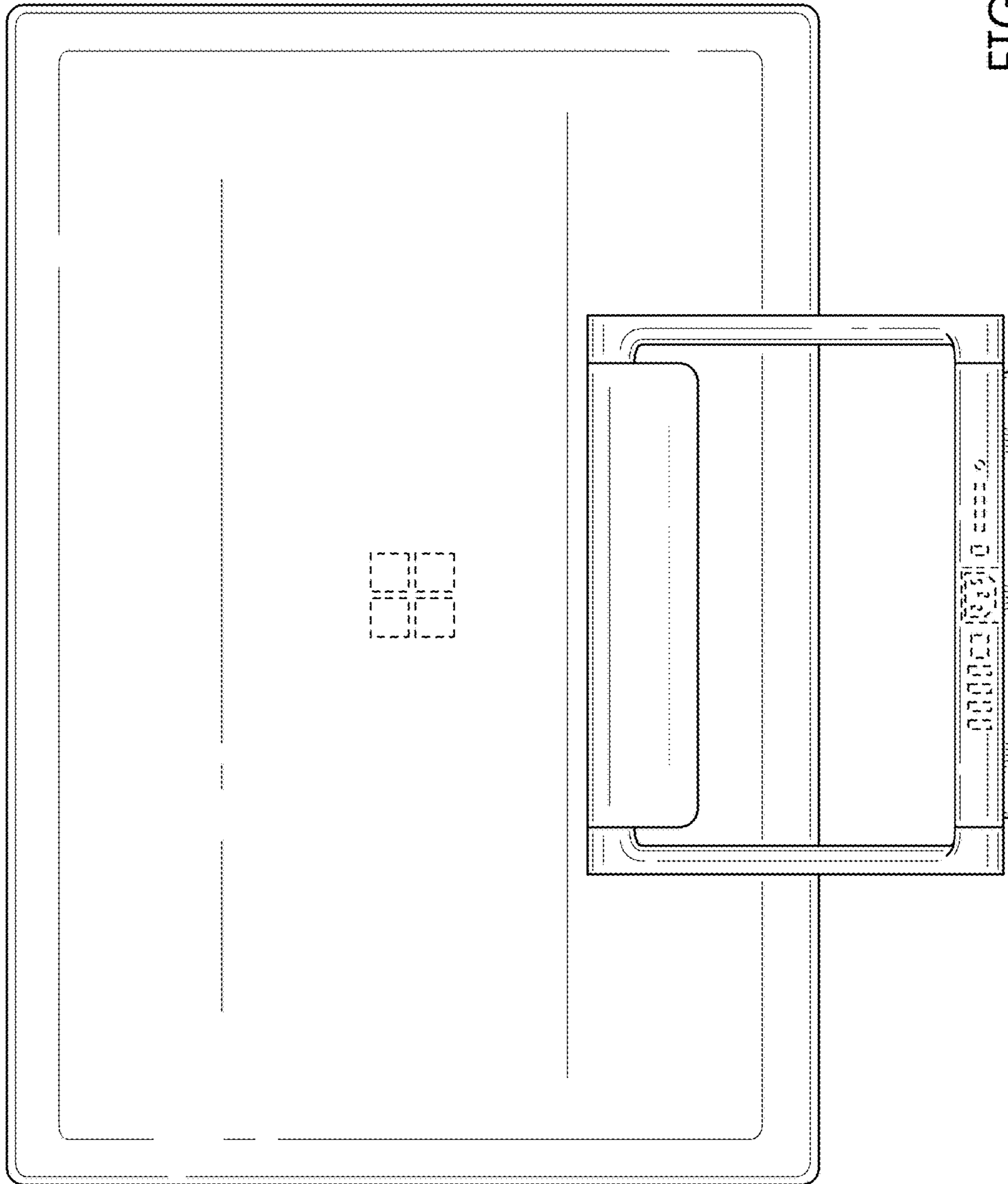


FIG. 4

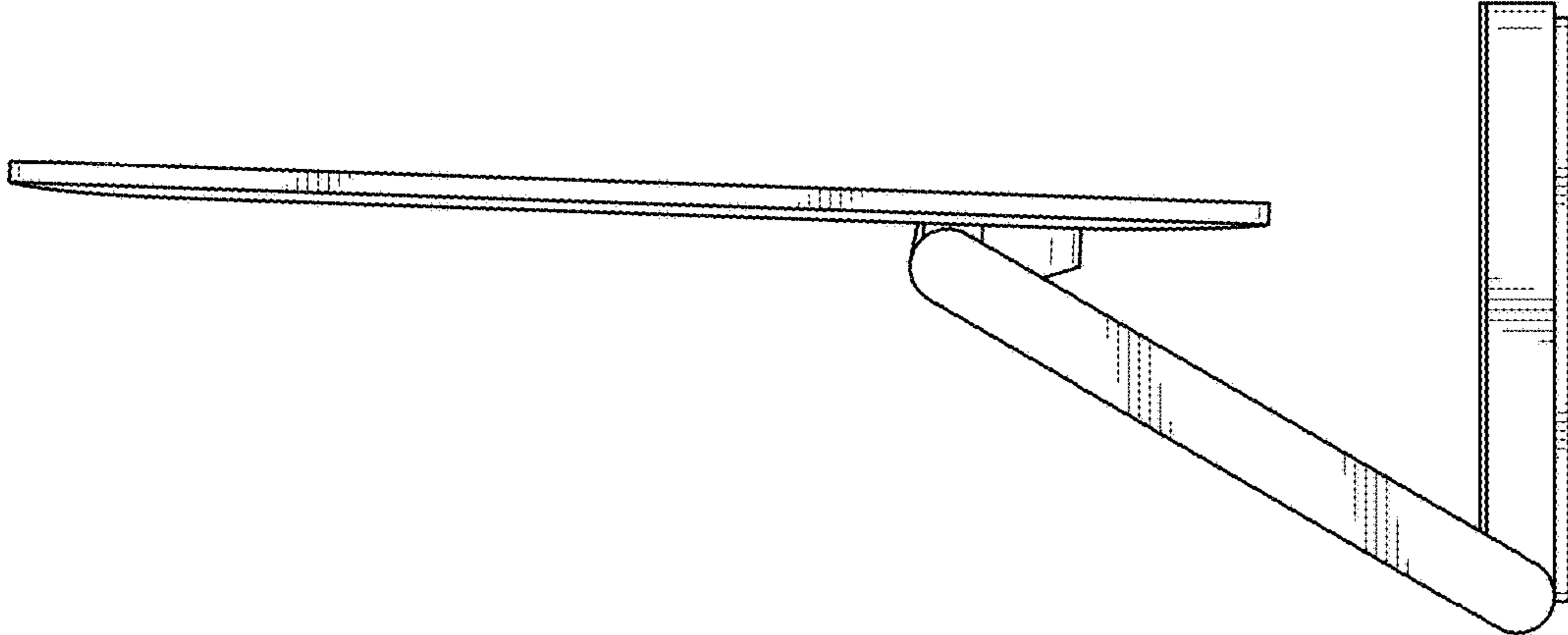


FIG. 6

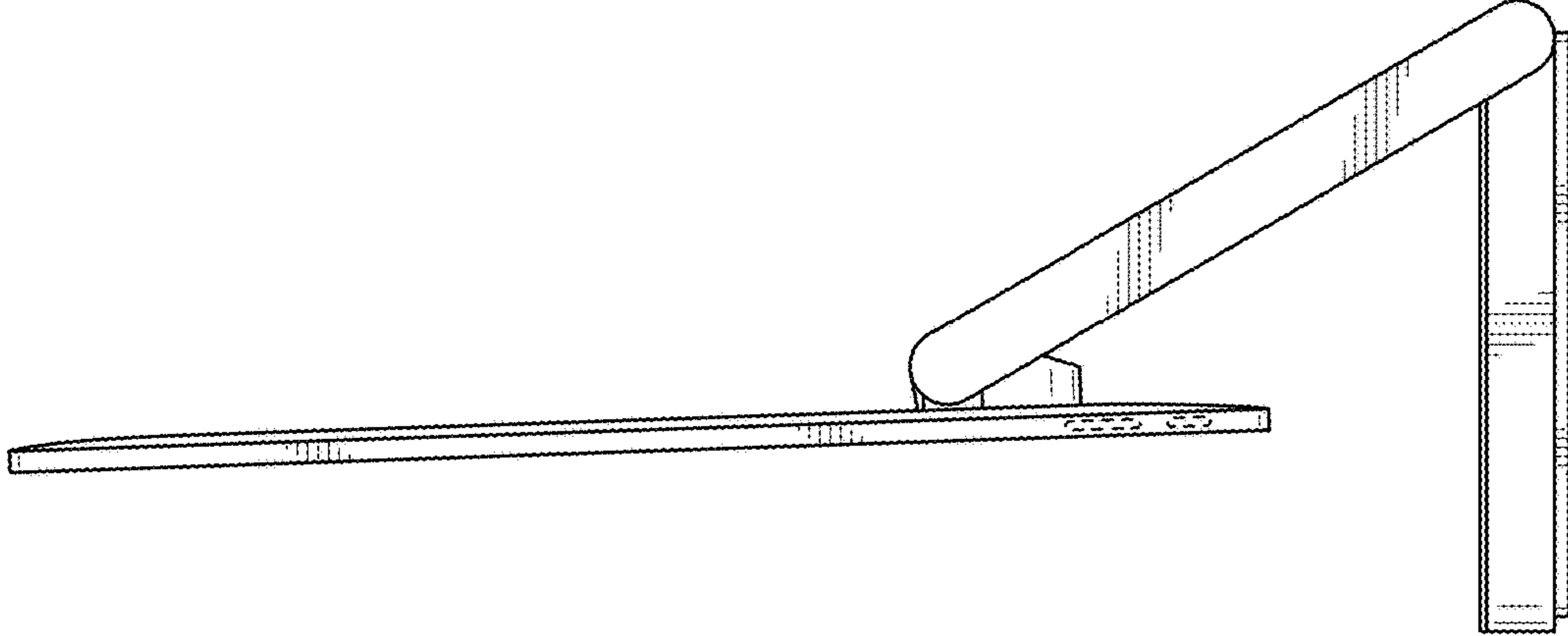


FIG. 5

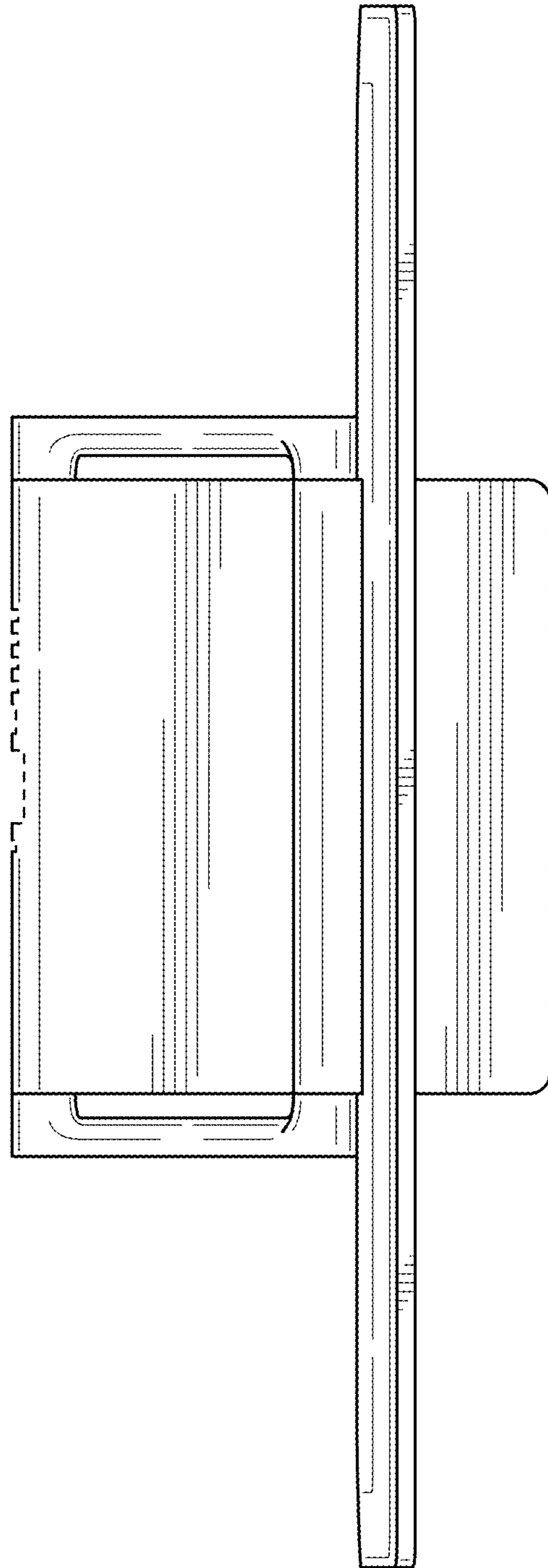


FIG. 7

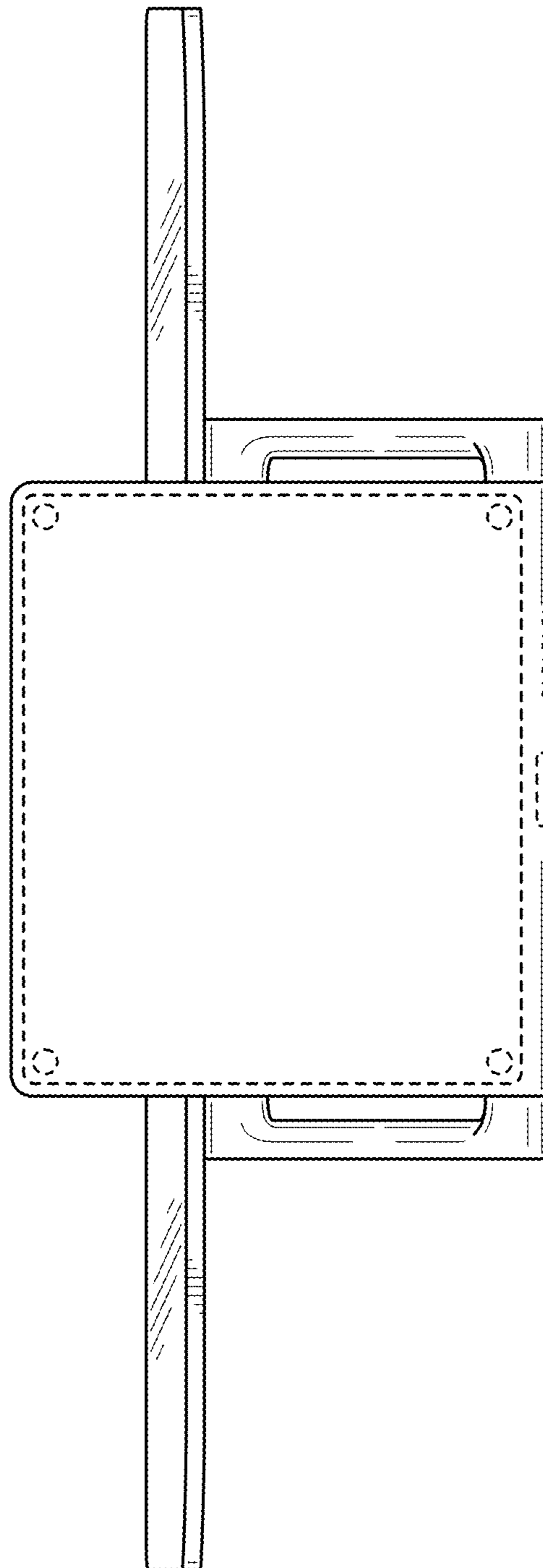


FIG. 8

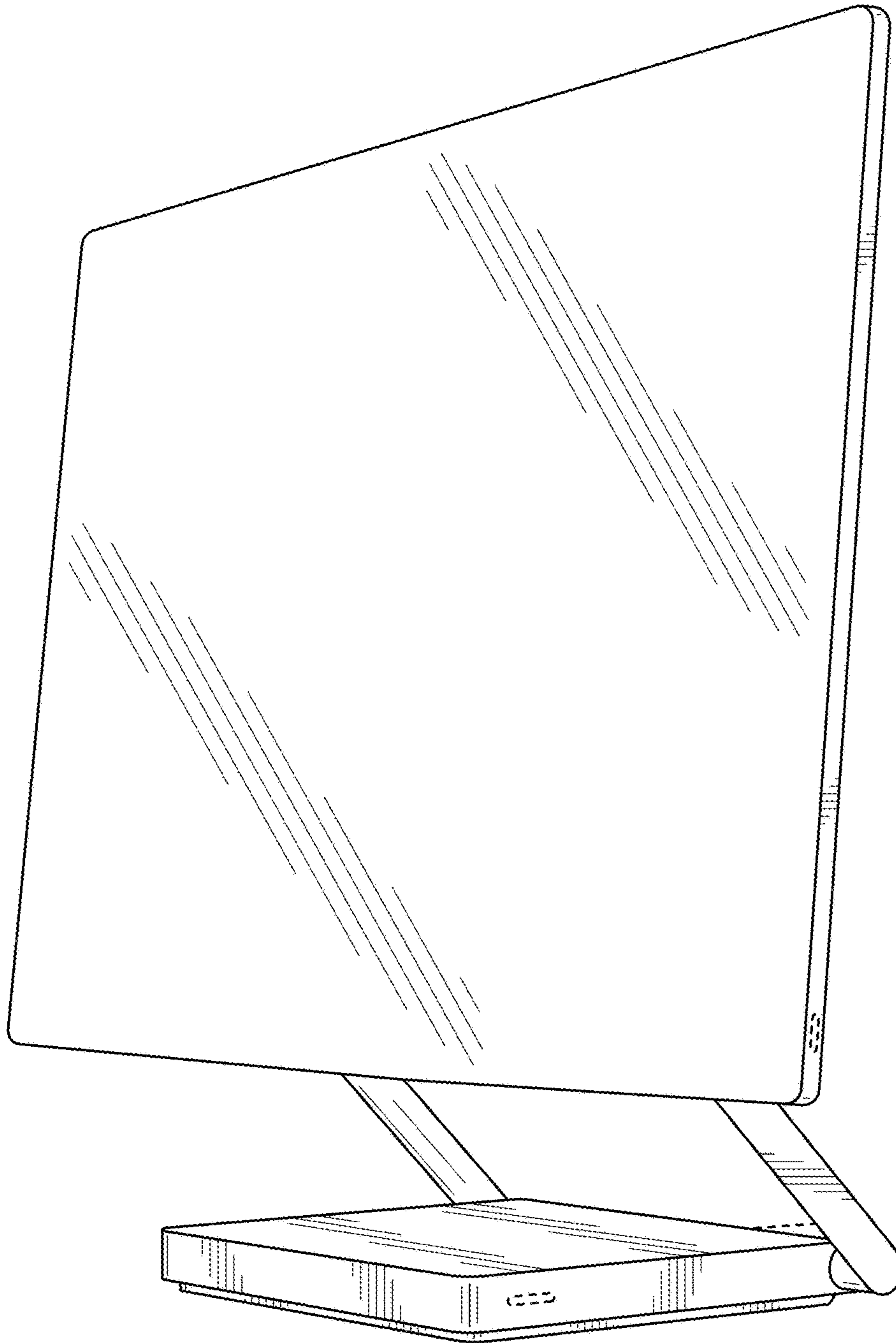


FIG. 9

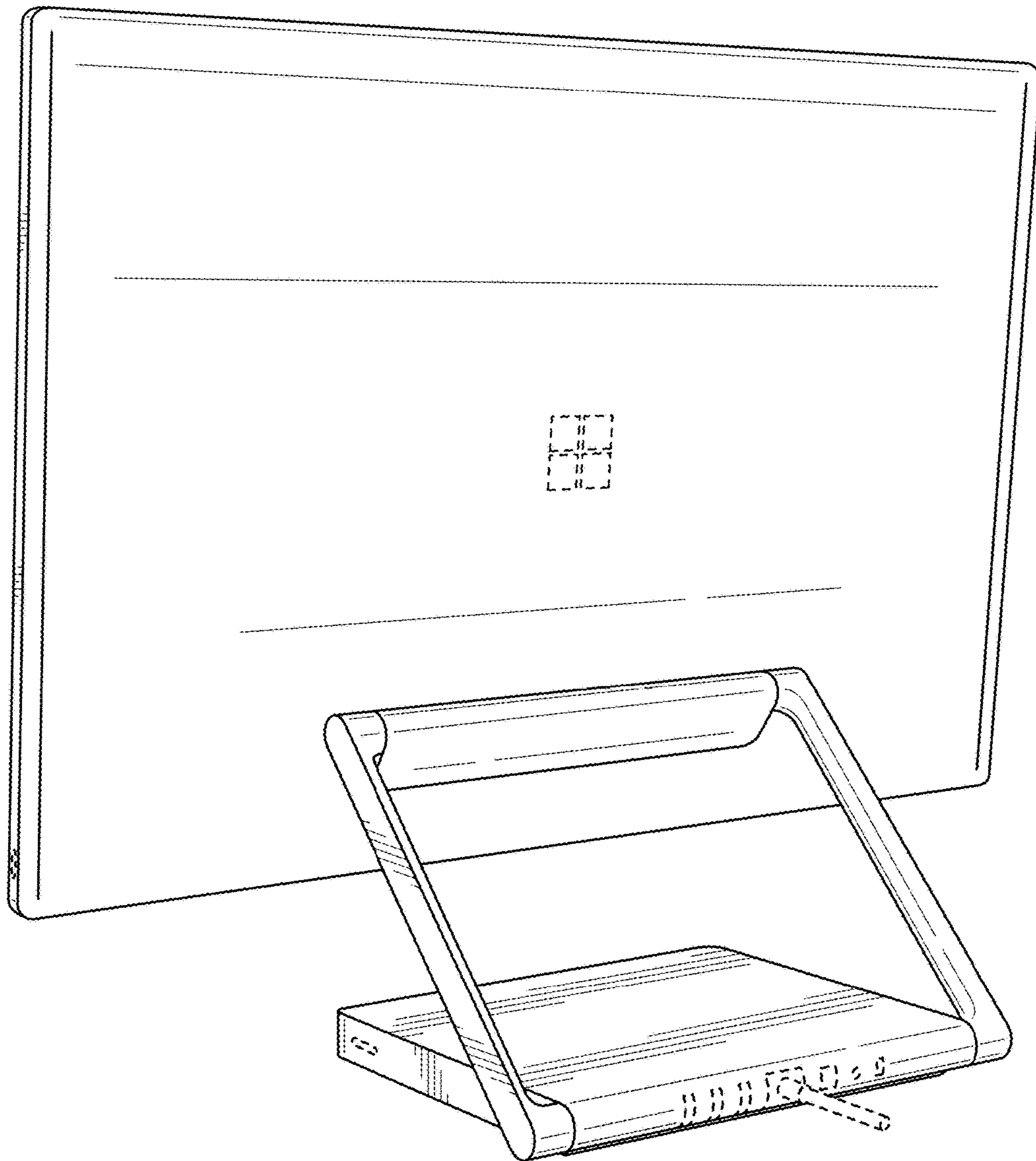


FIG. 10

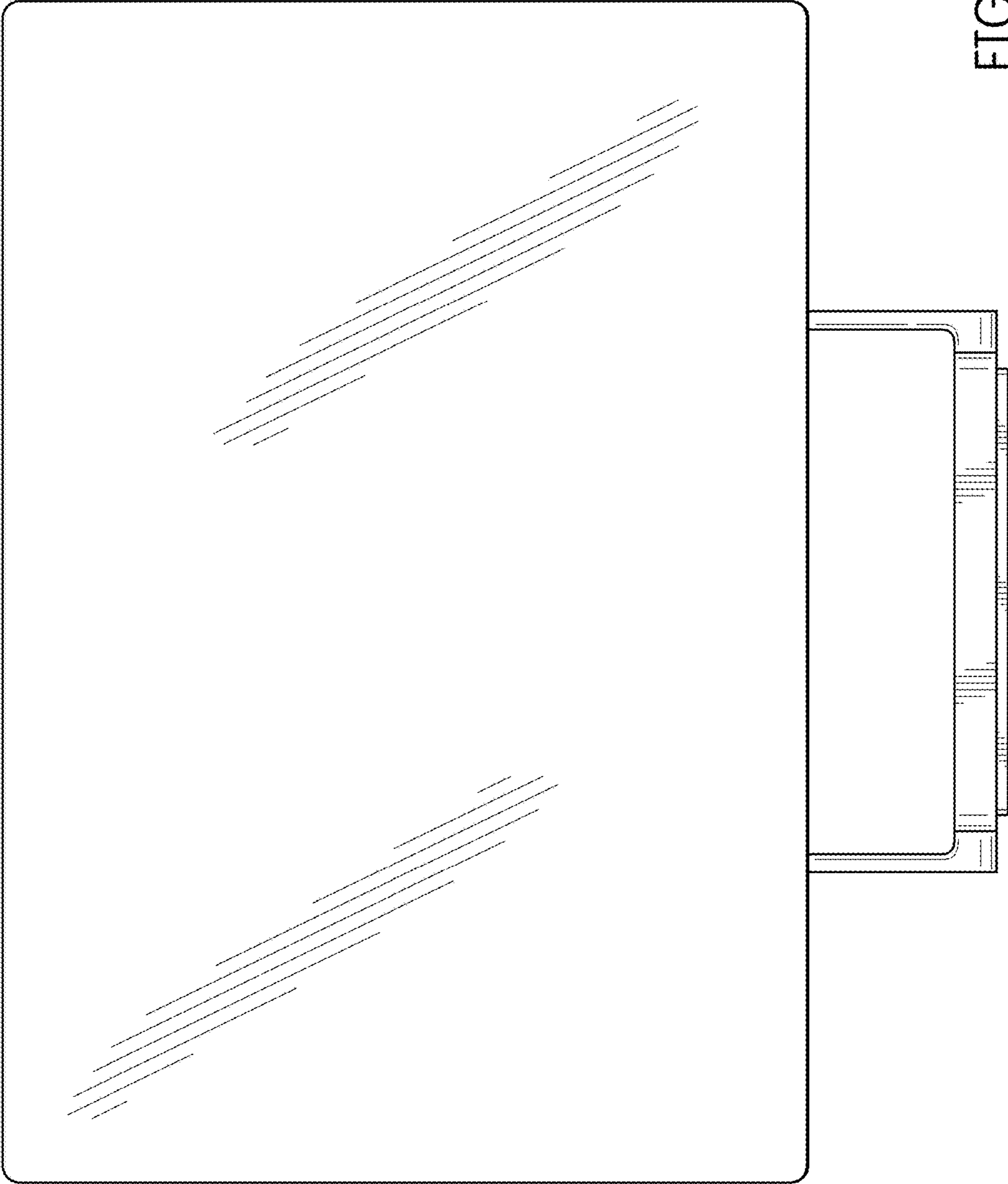


FIG. 11

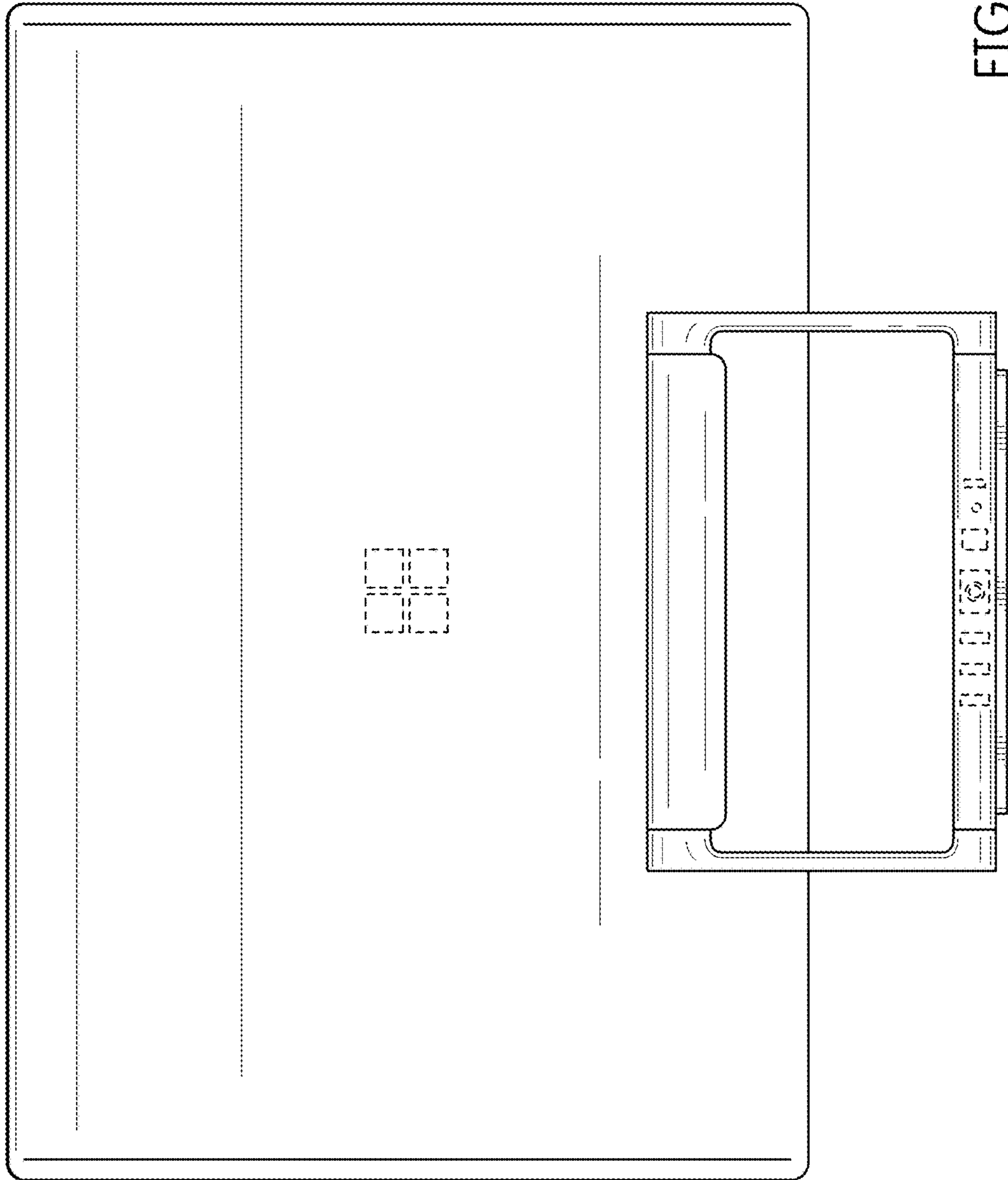


FIG. 12

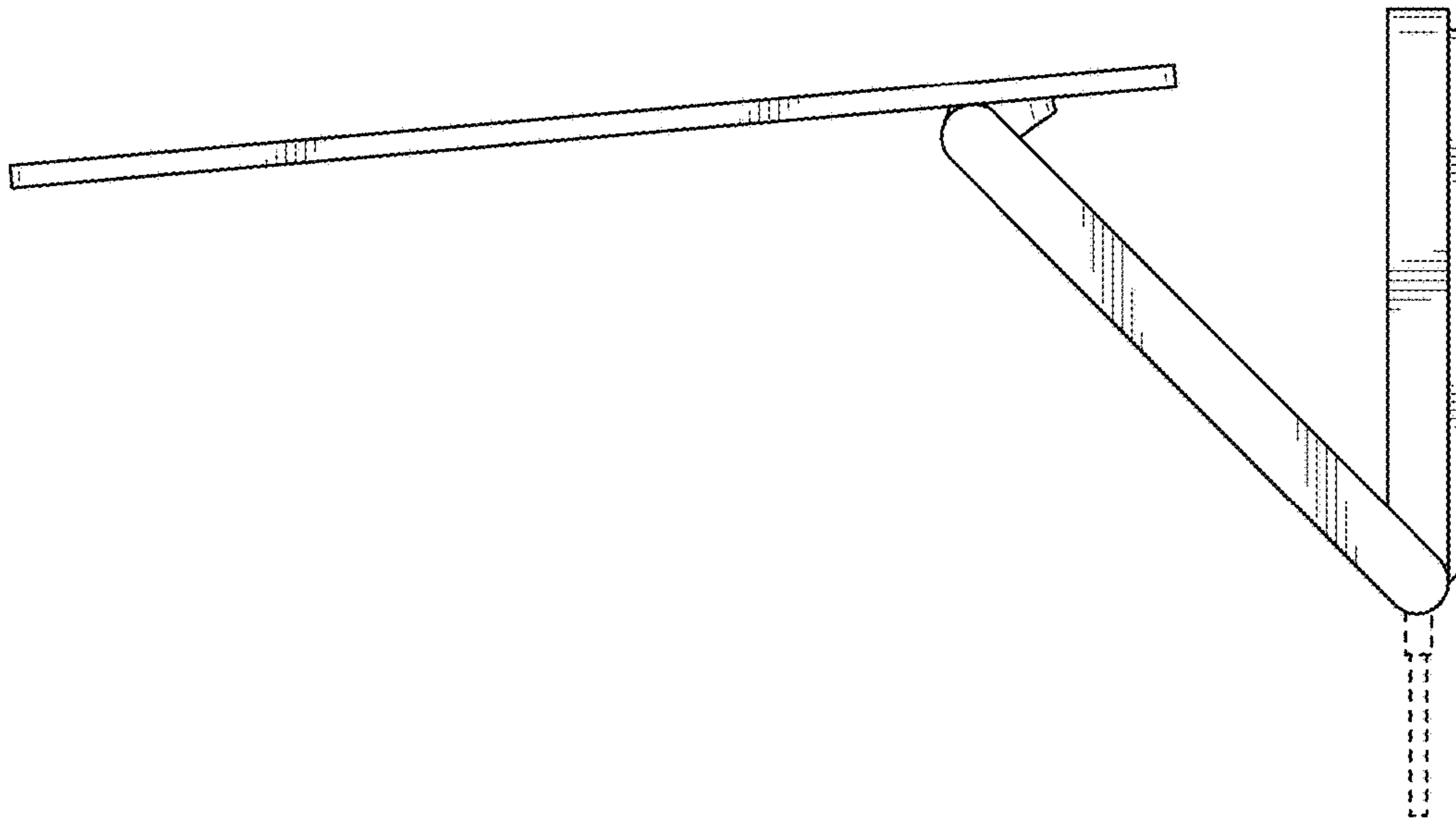


FIG. 14

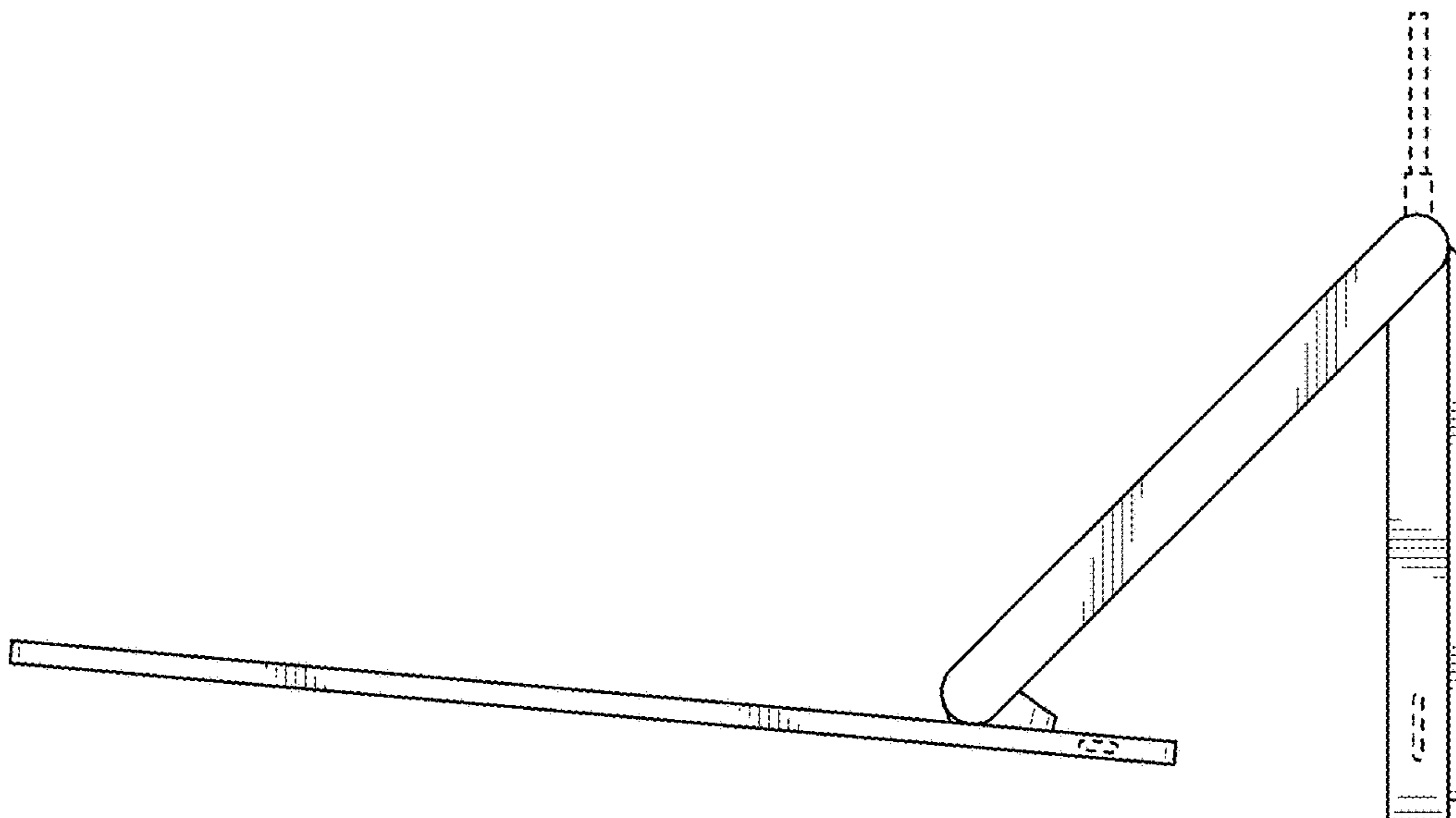


FIG. 13

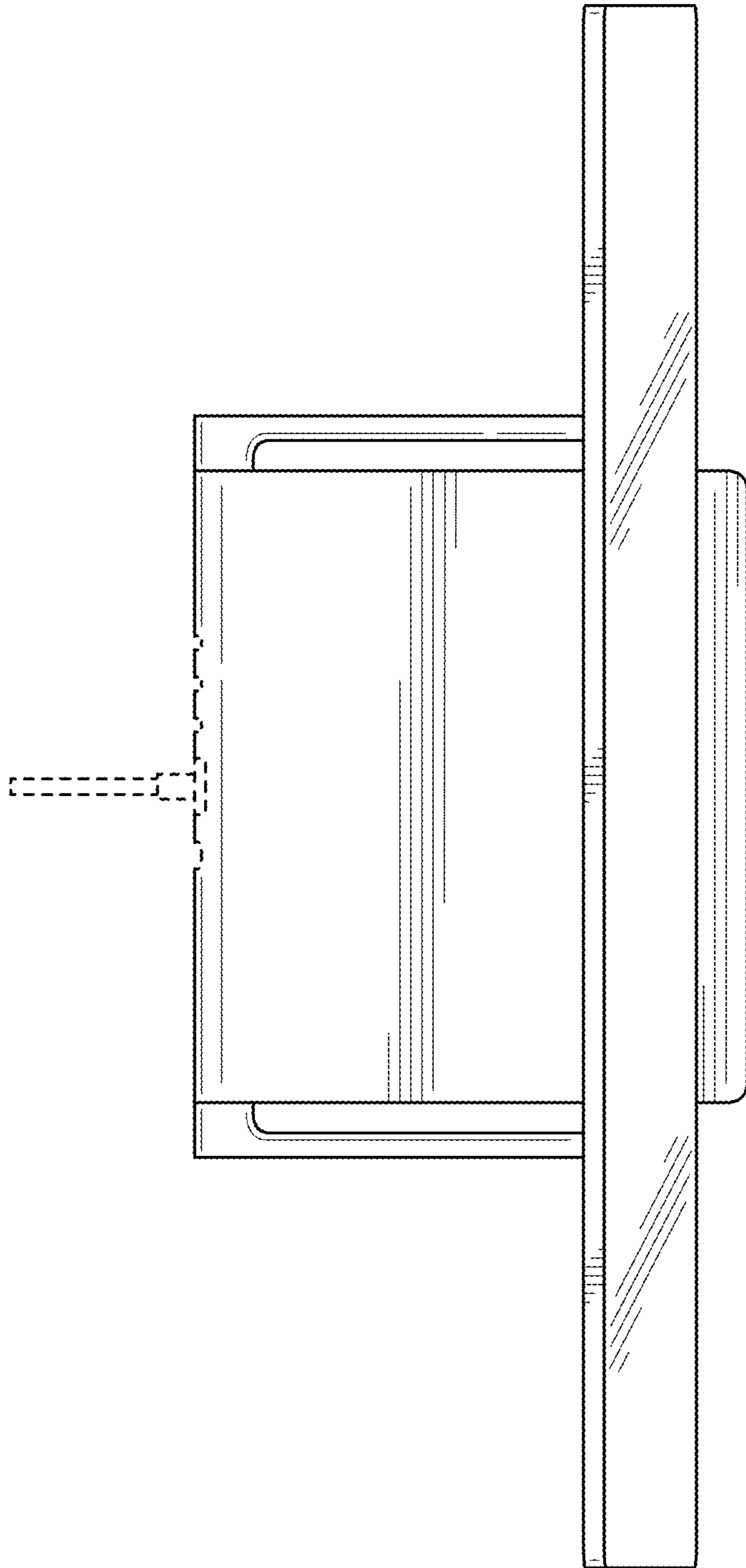


FIG. 15

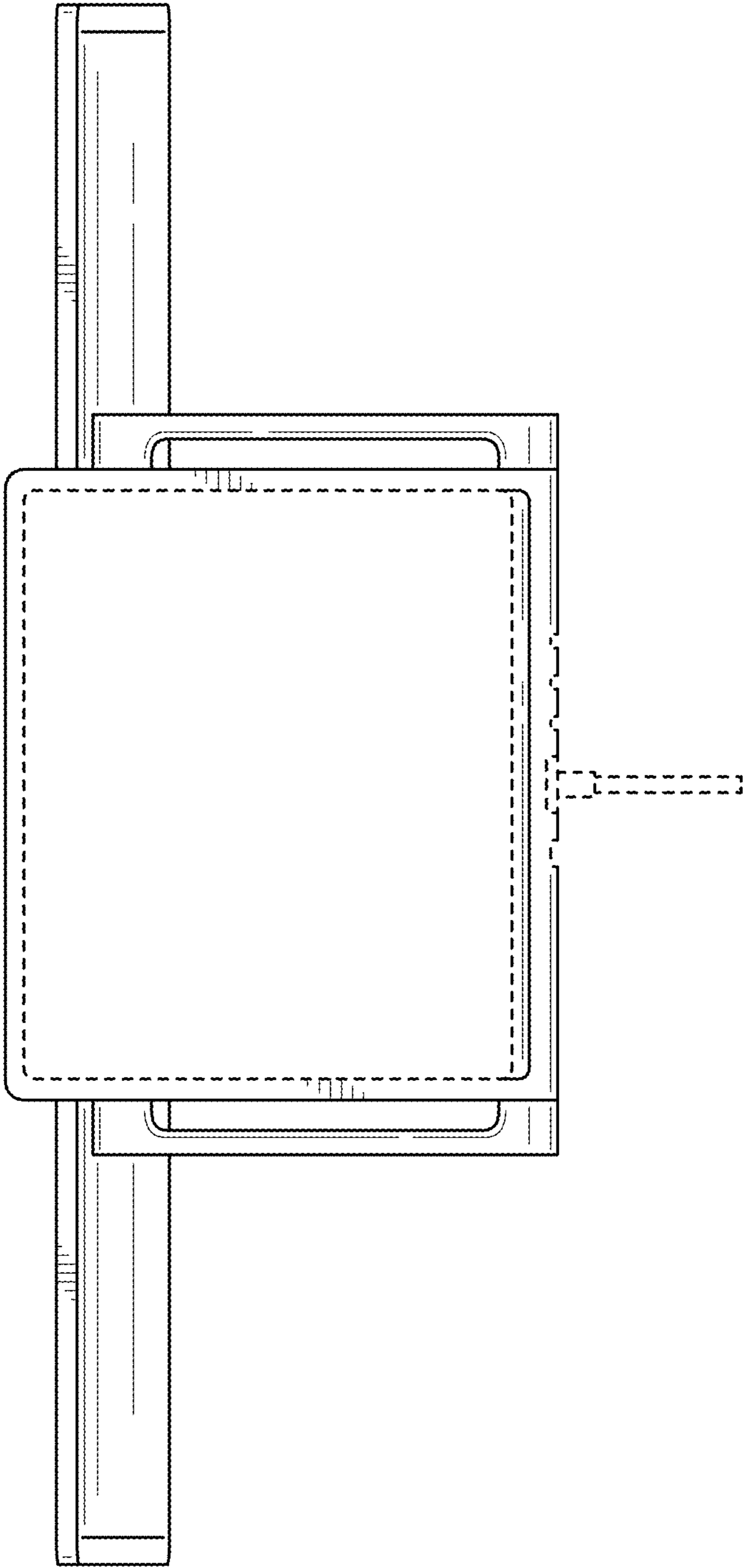


FIG. 16

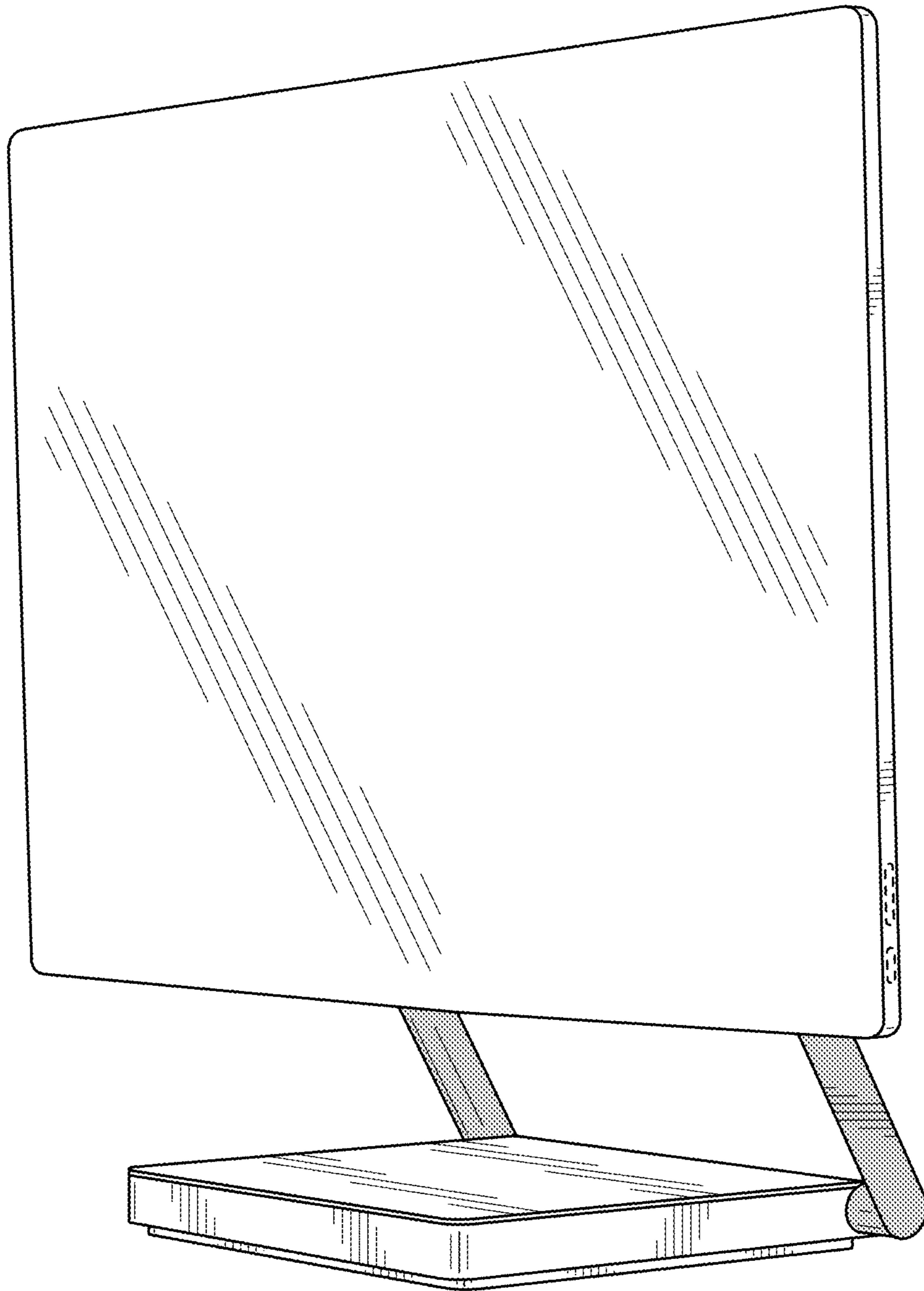


FIG. 17

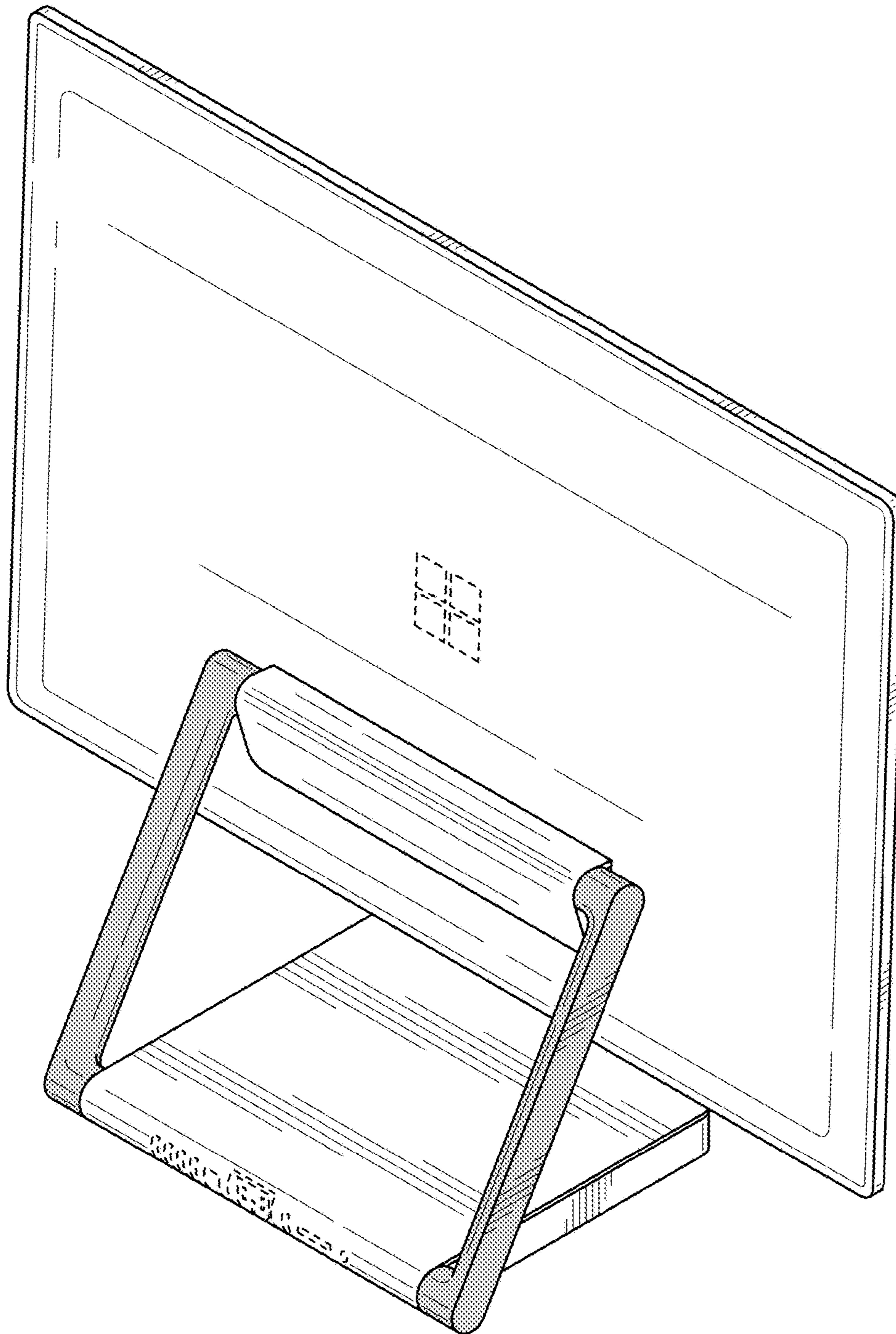


FIG. 18

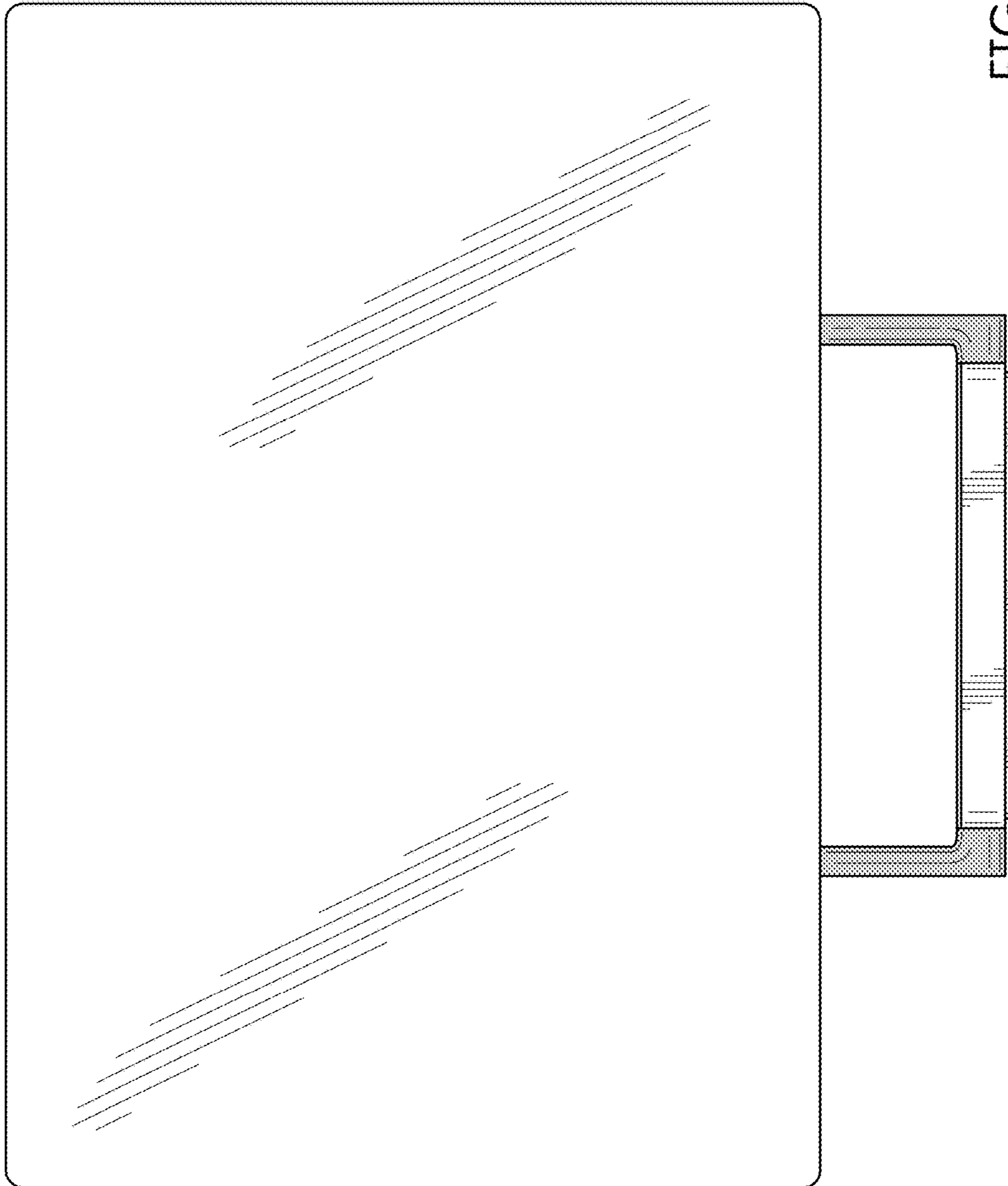


FIG. 19

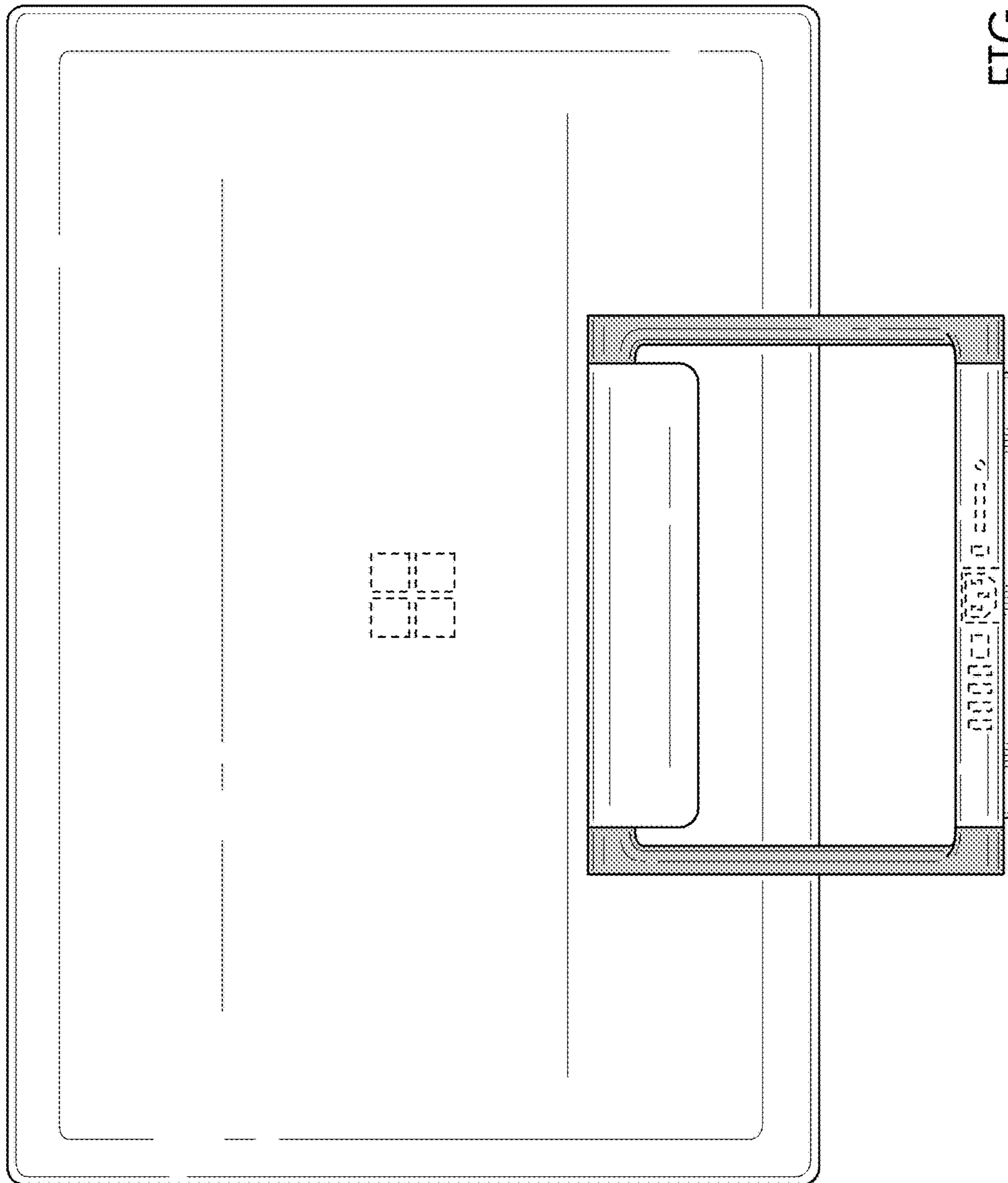


FIG. 20

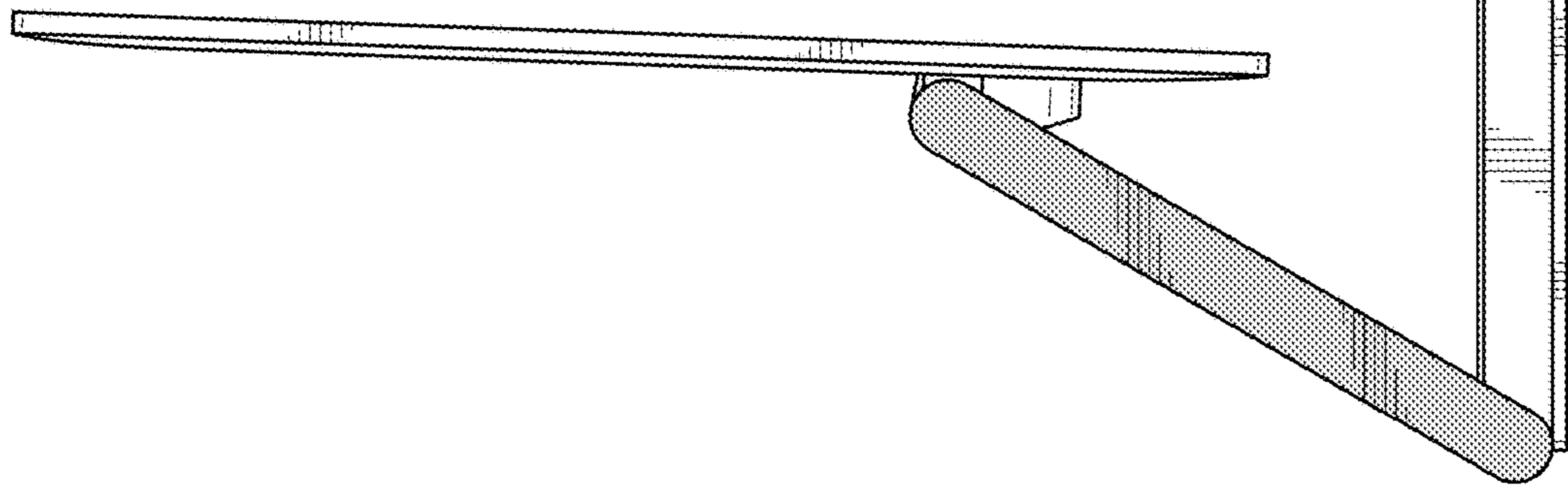


FIG. 22

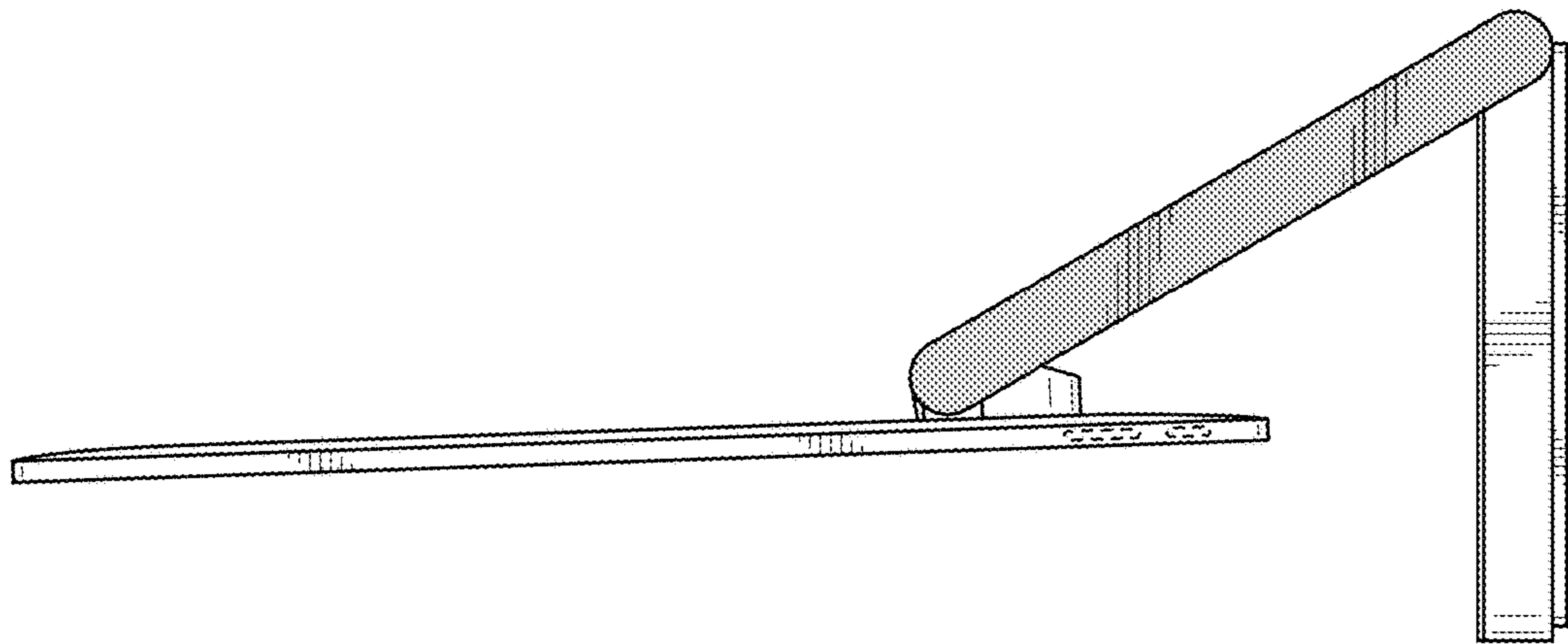


FIG. 21

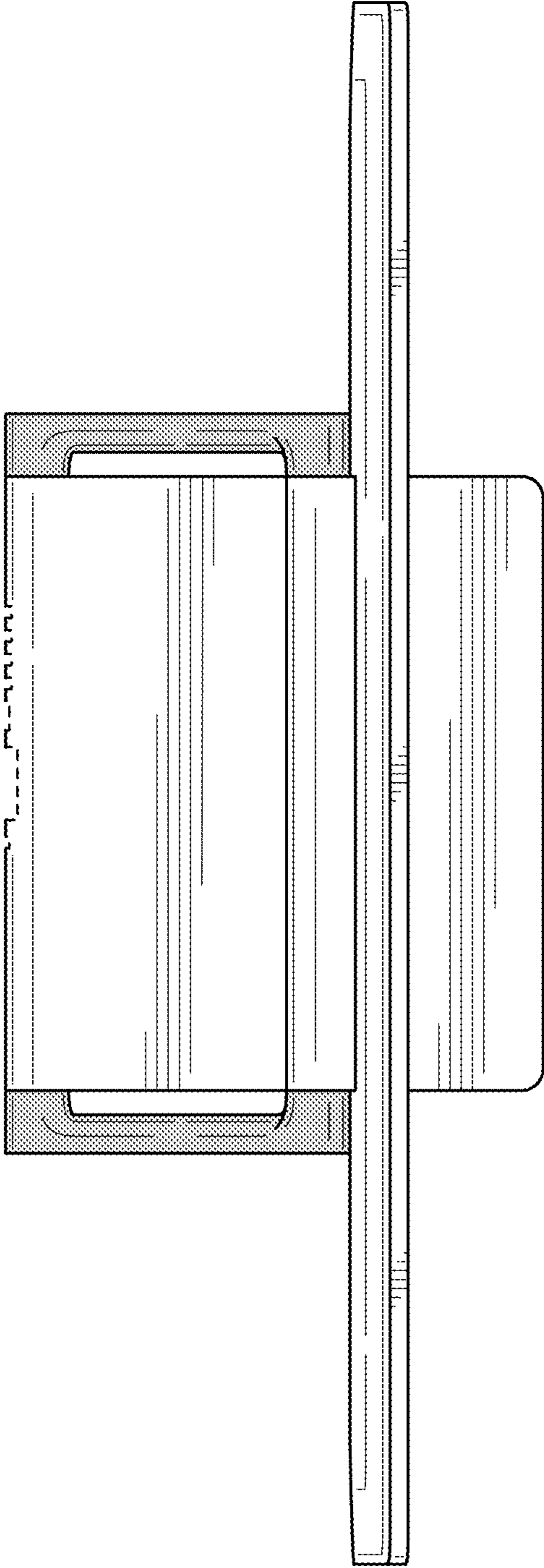


FIG. 23

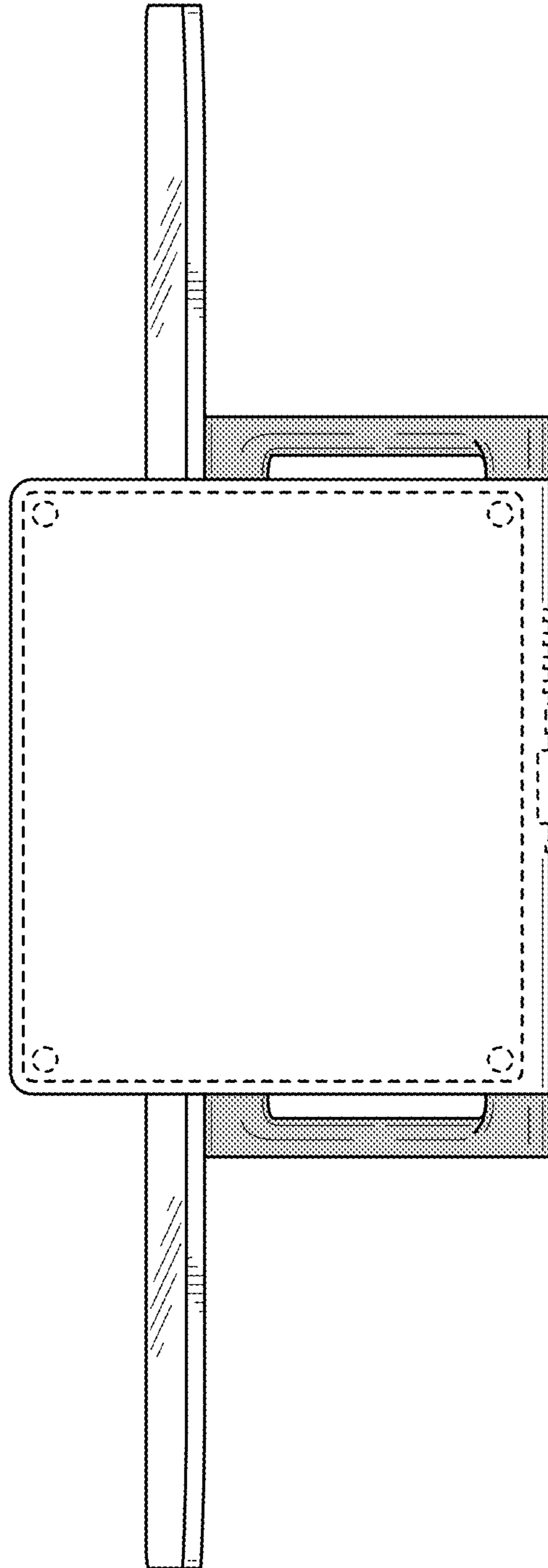


FIG. 24

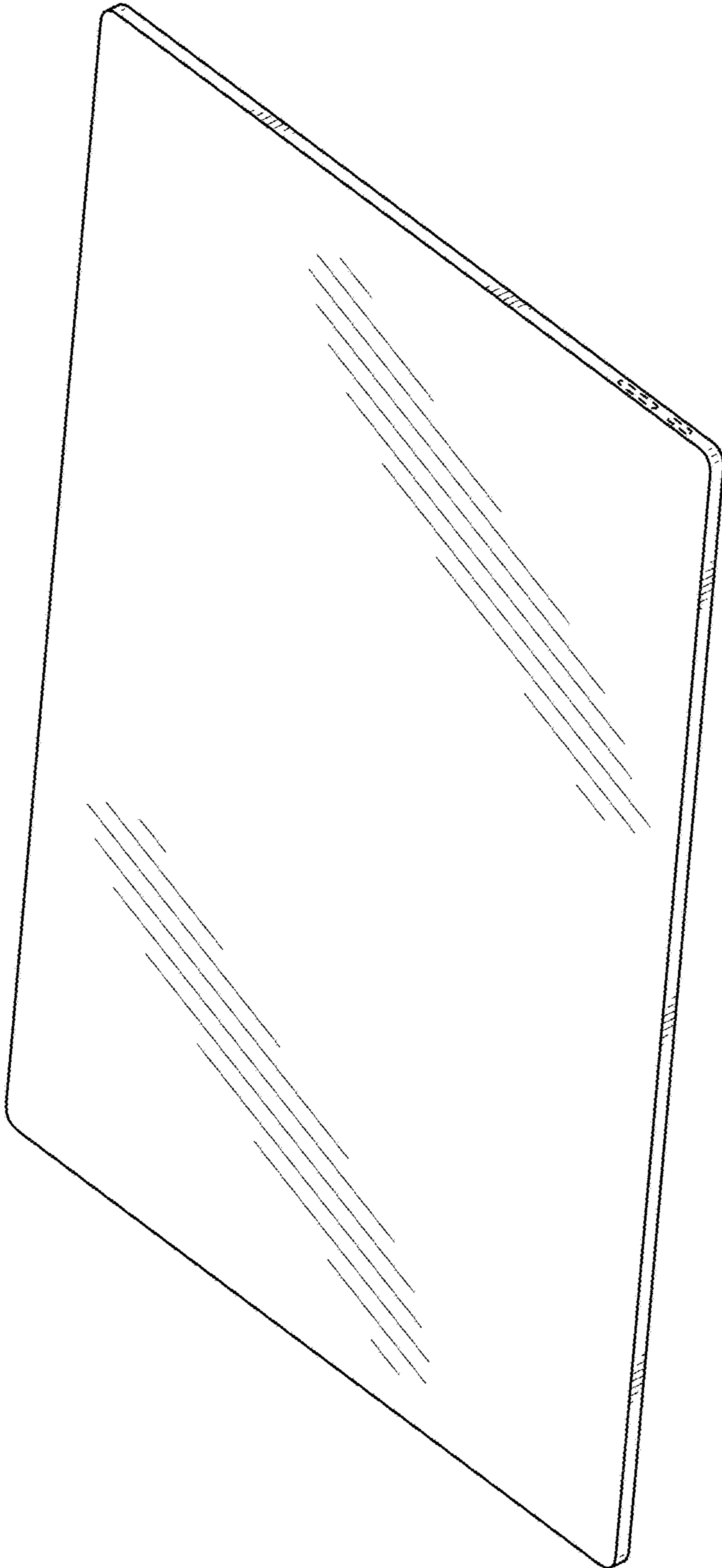


FIG. 25

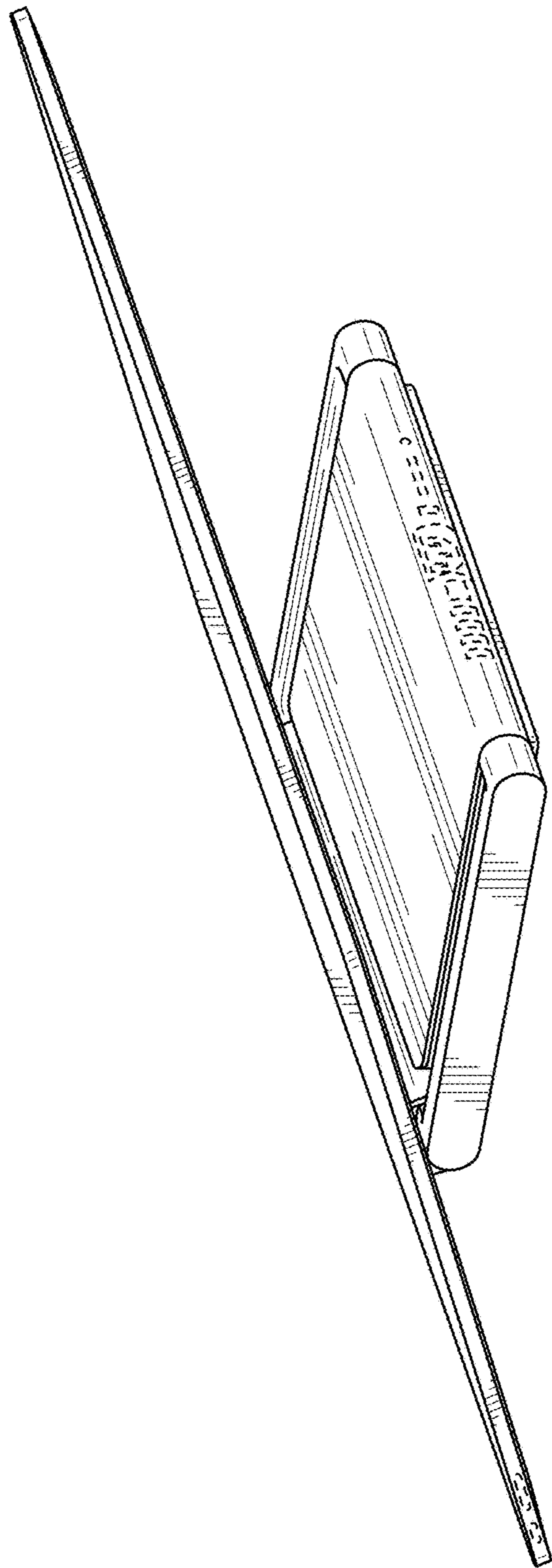


FIG. 26

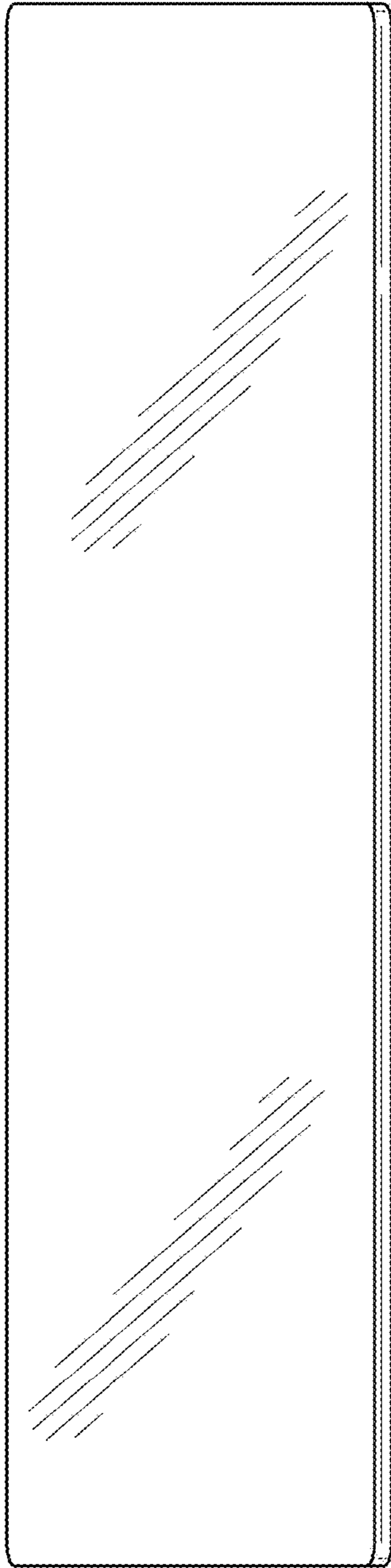


FIG. 27

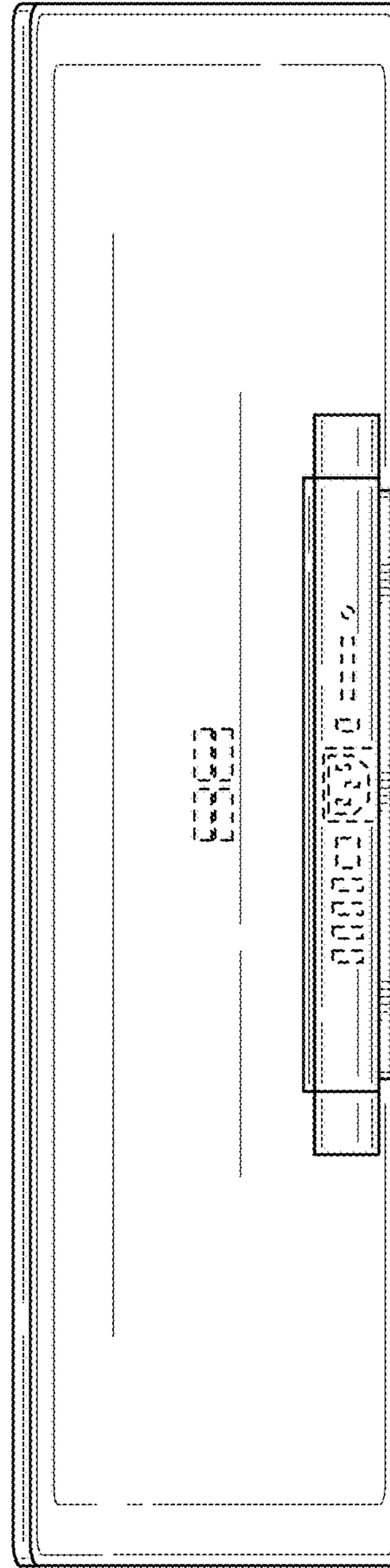


FIG. 28

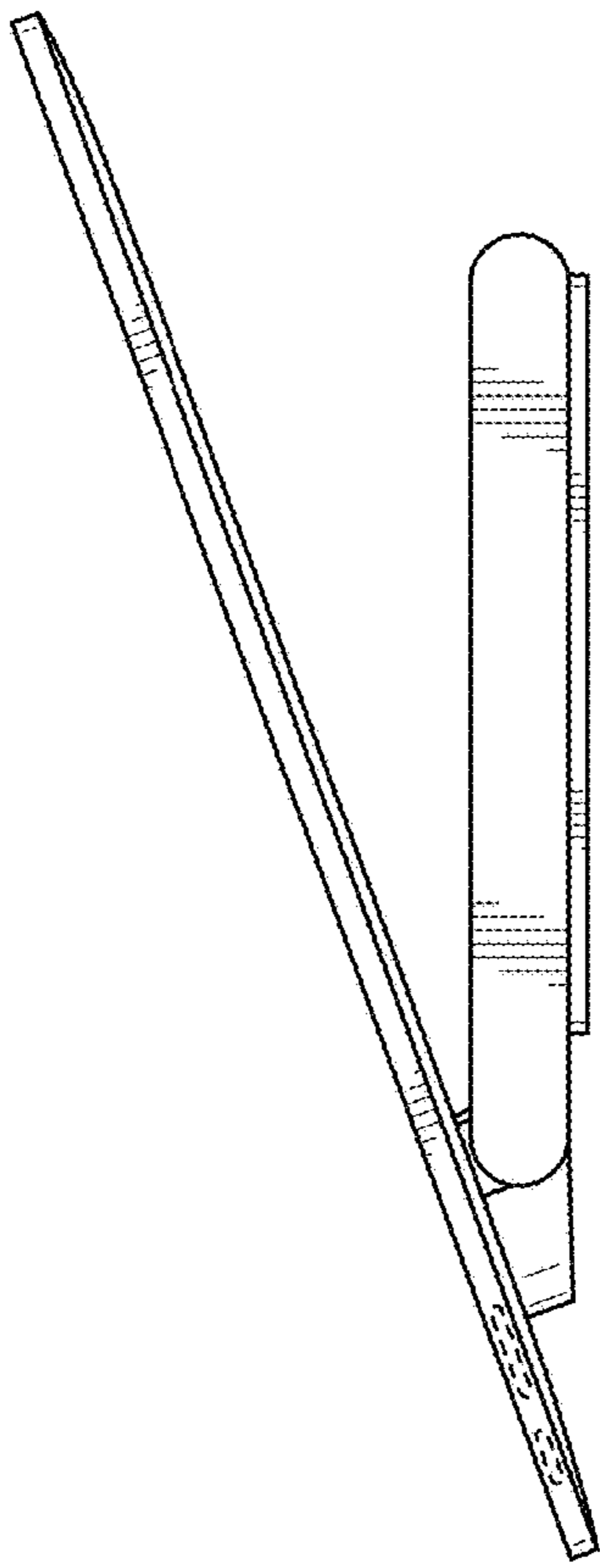


FIG. 29

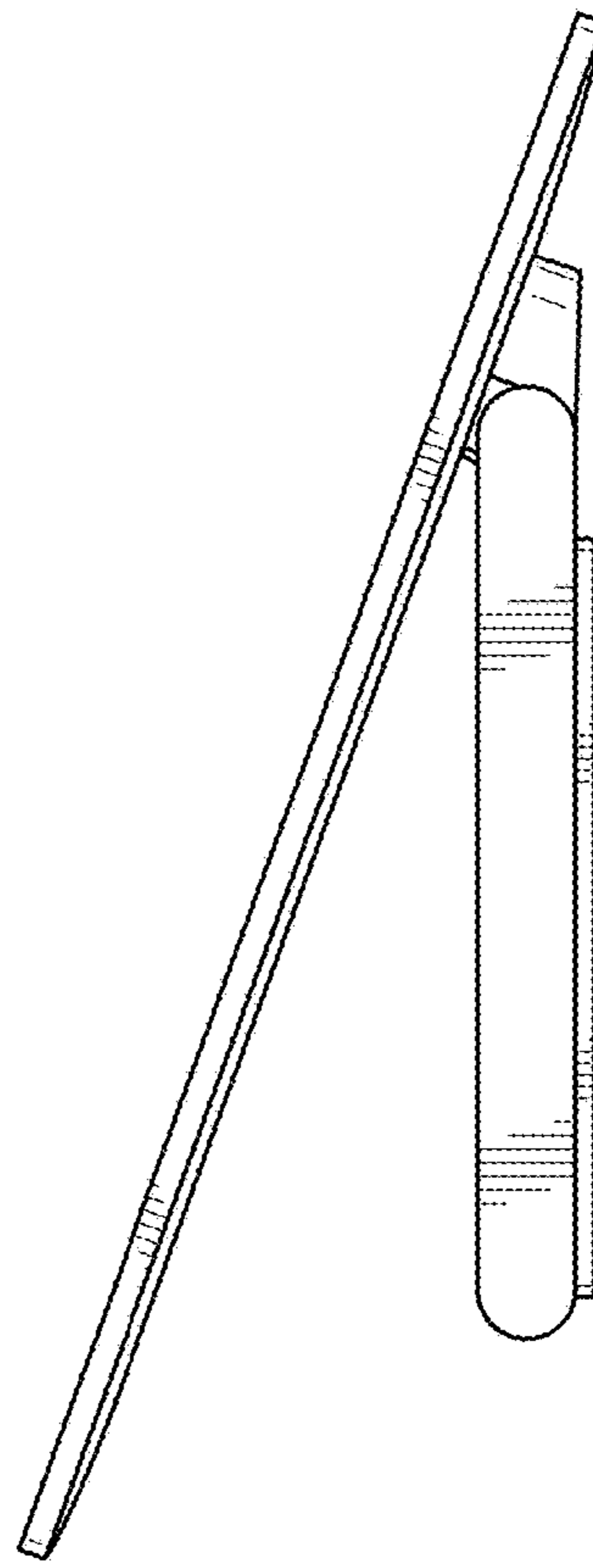


FIG. 30

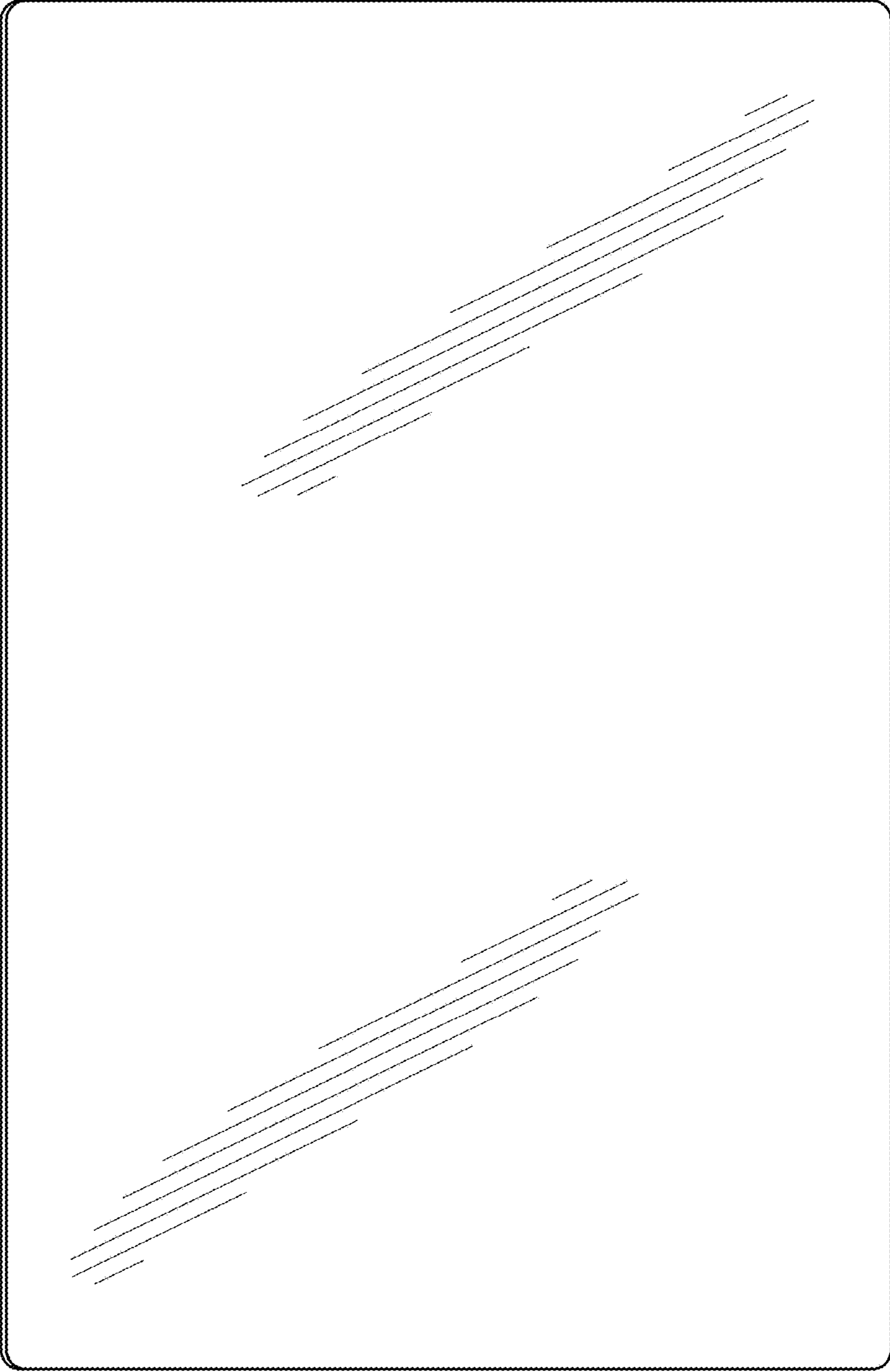


FIG. 31

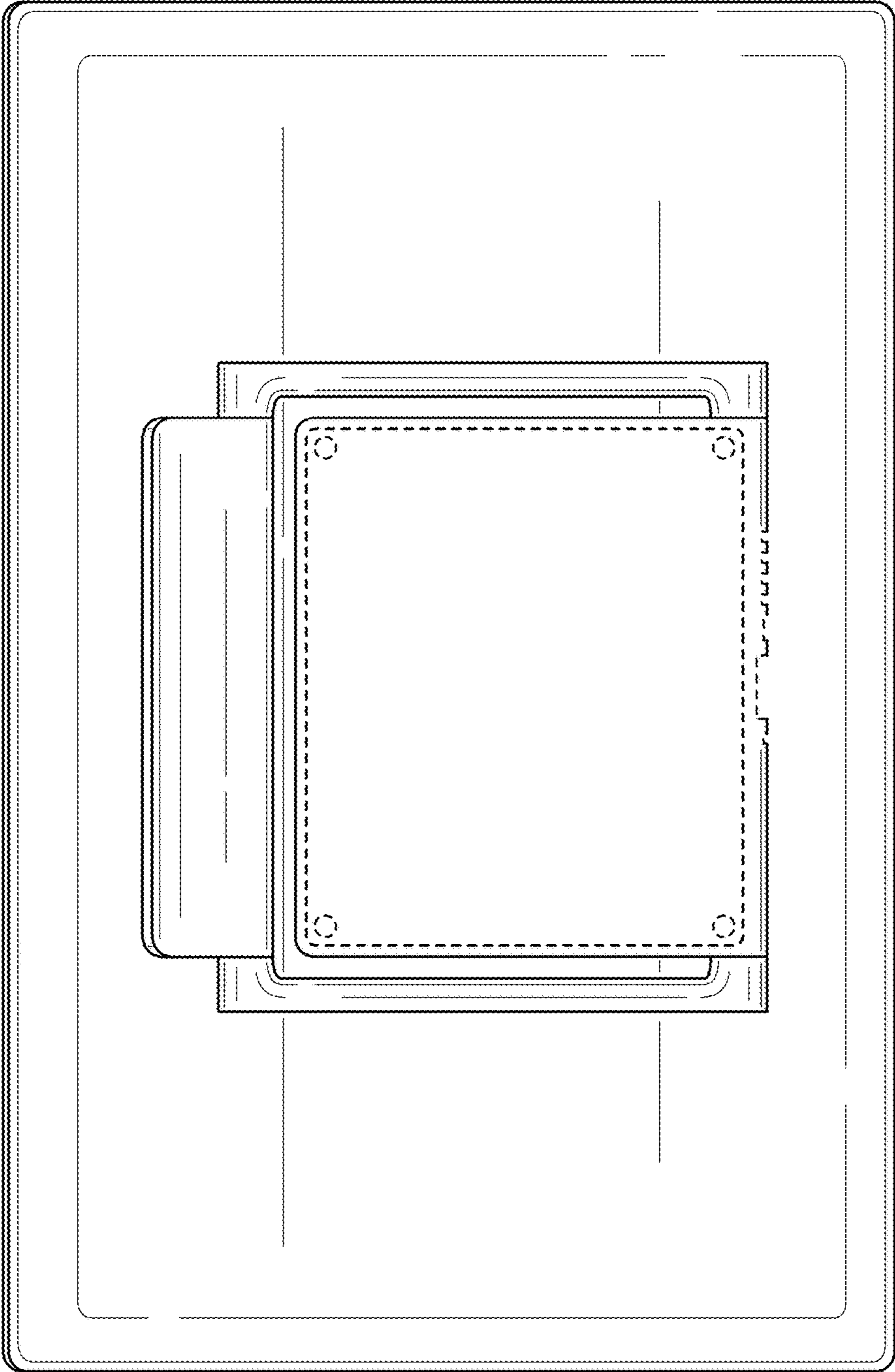


FIG. 32

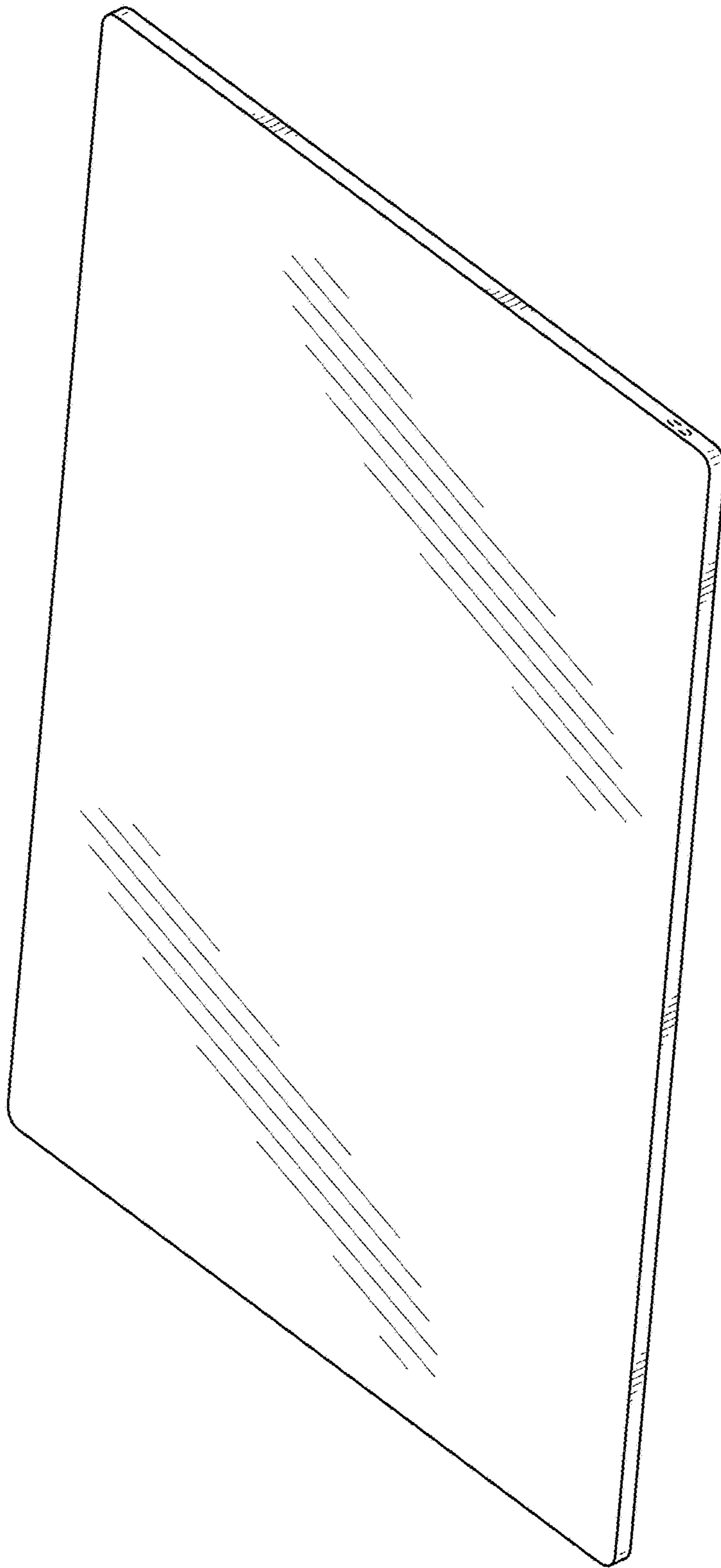


FIG. 33

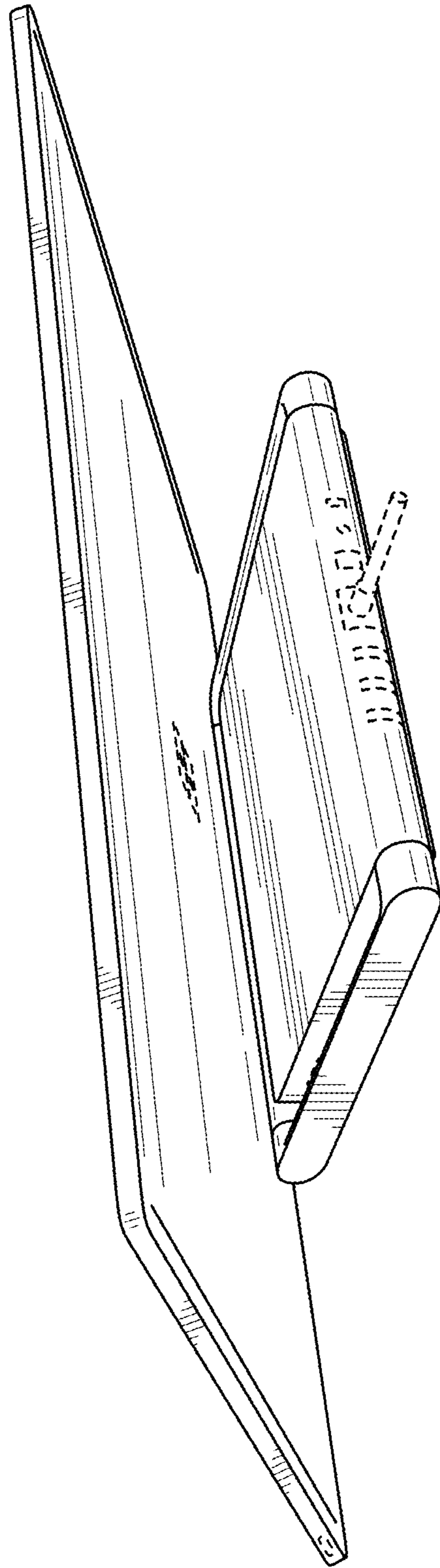


FIG. 34

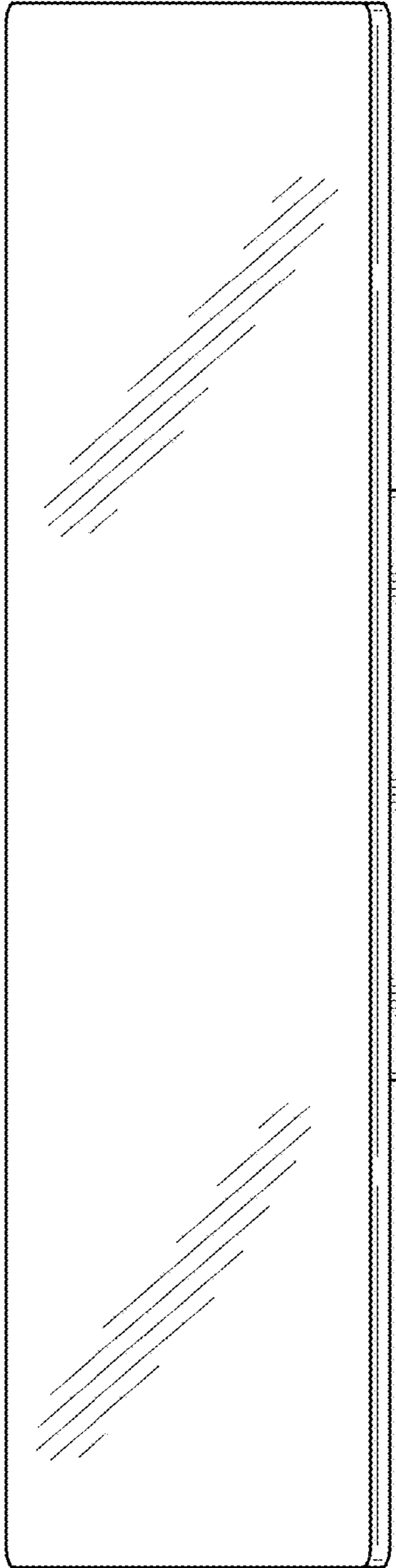


FIG. 35

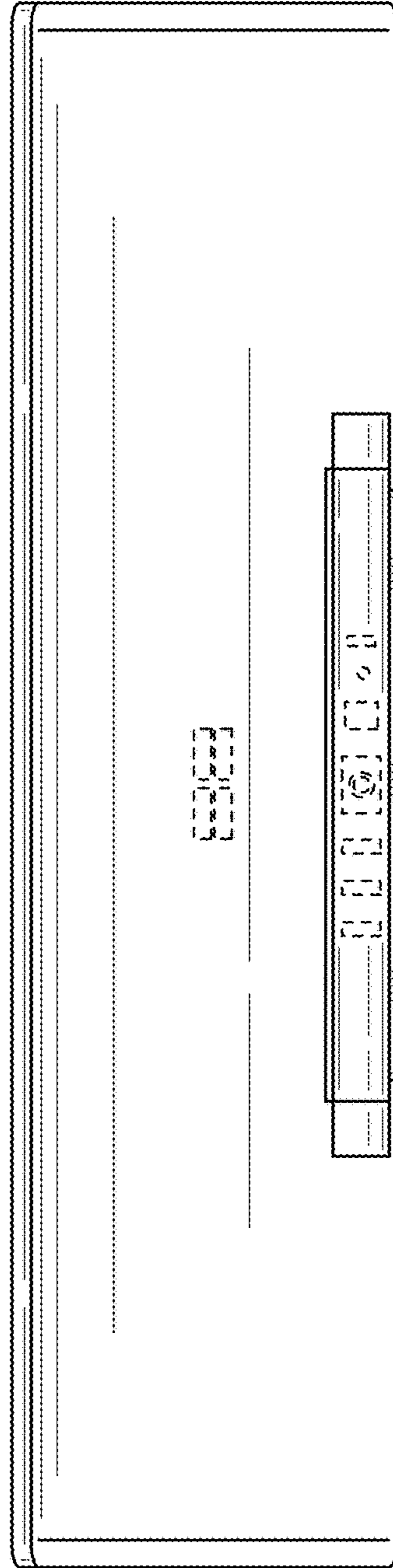


FIG. 36

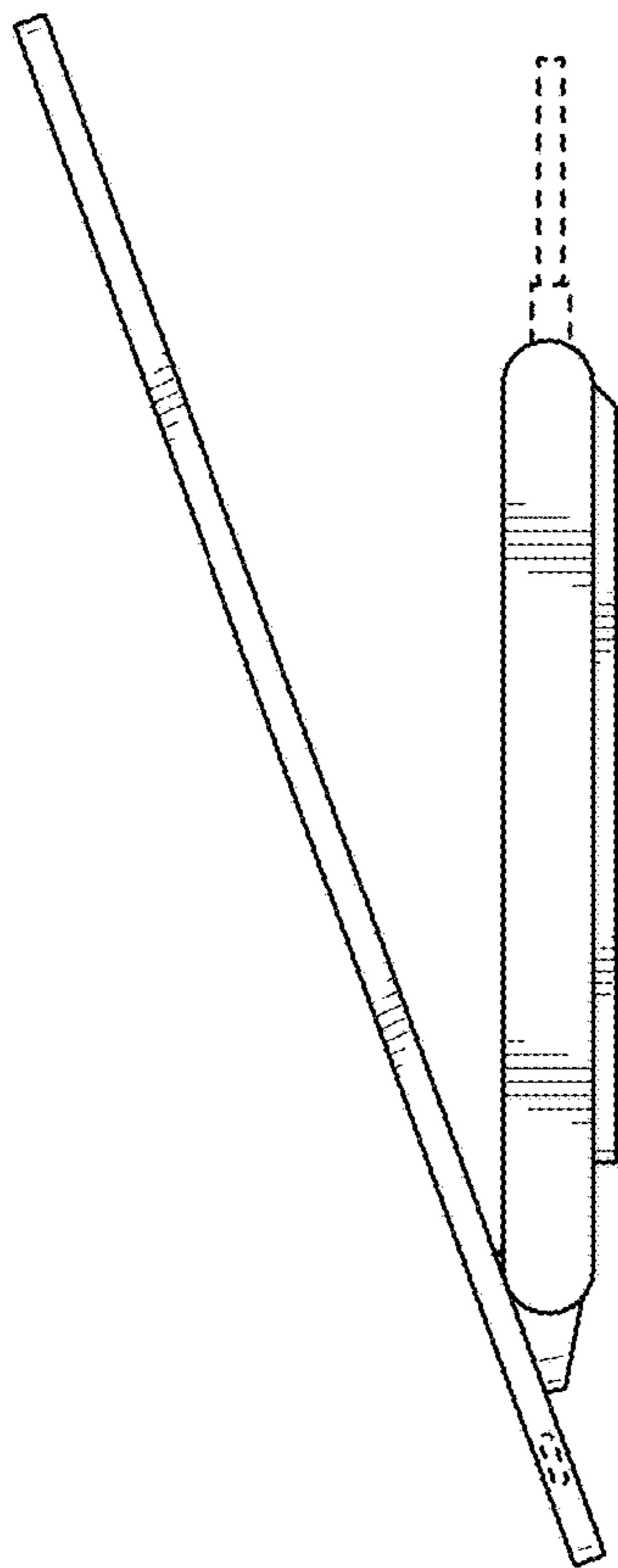


FIG. 37

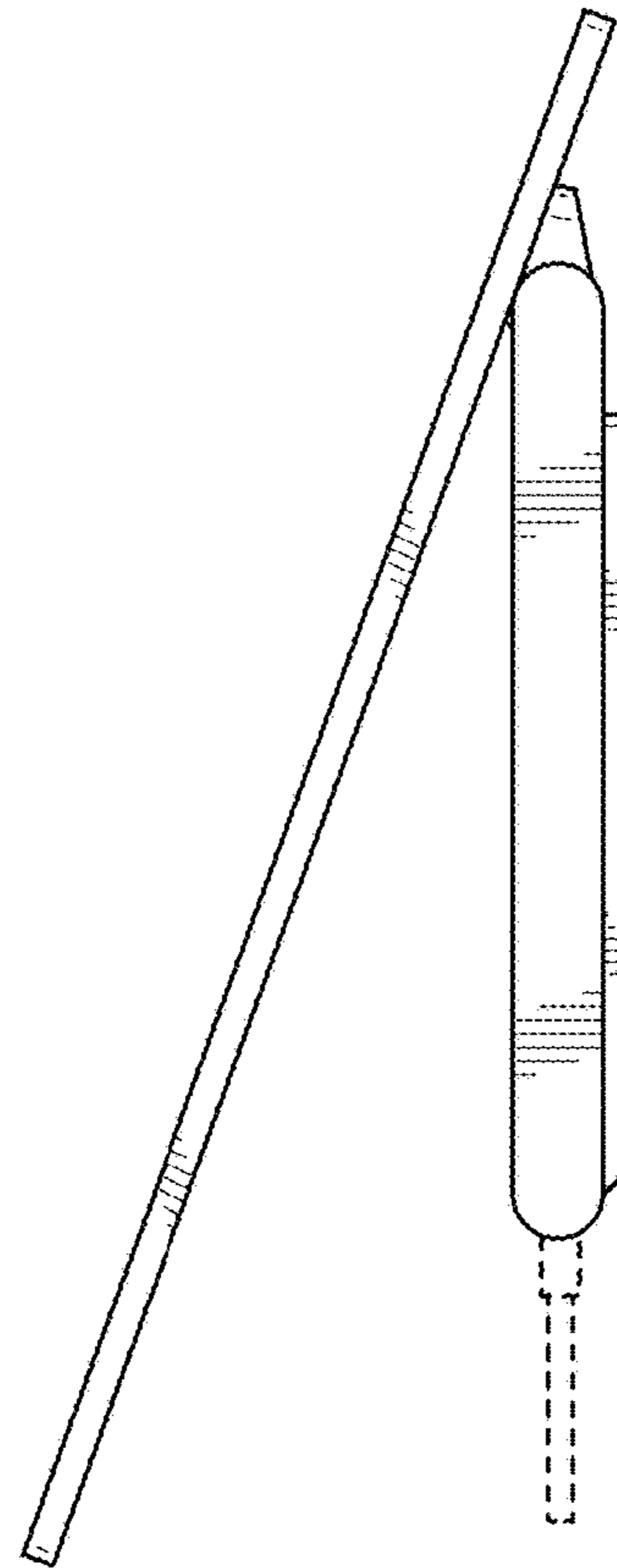


FIG. 38

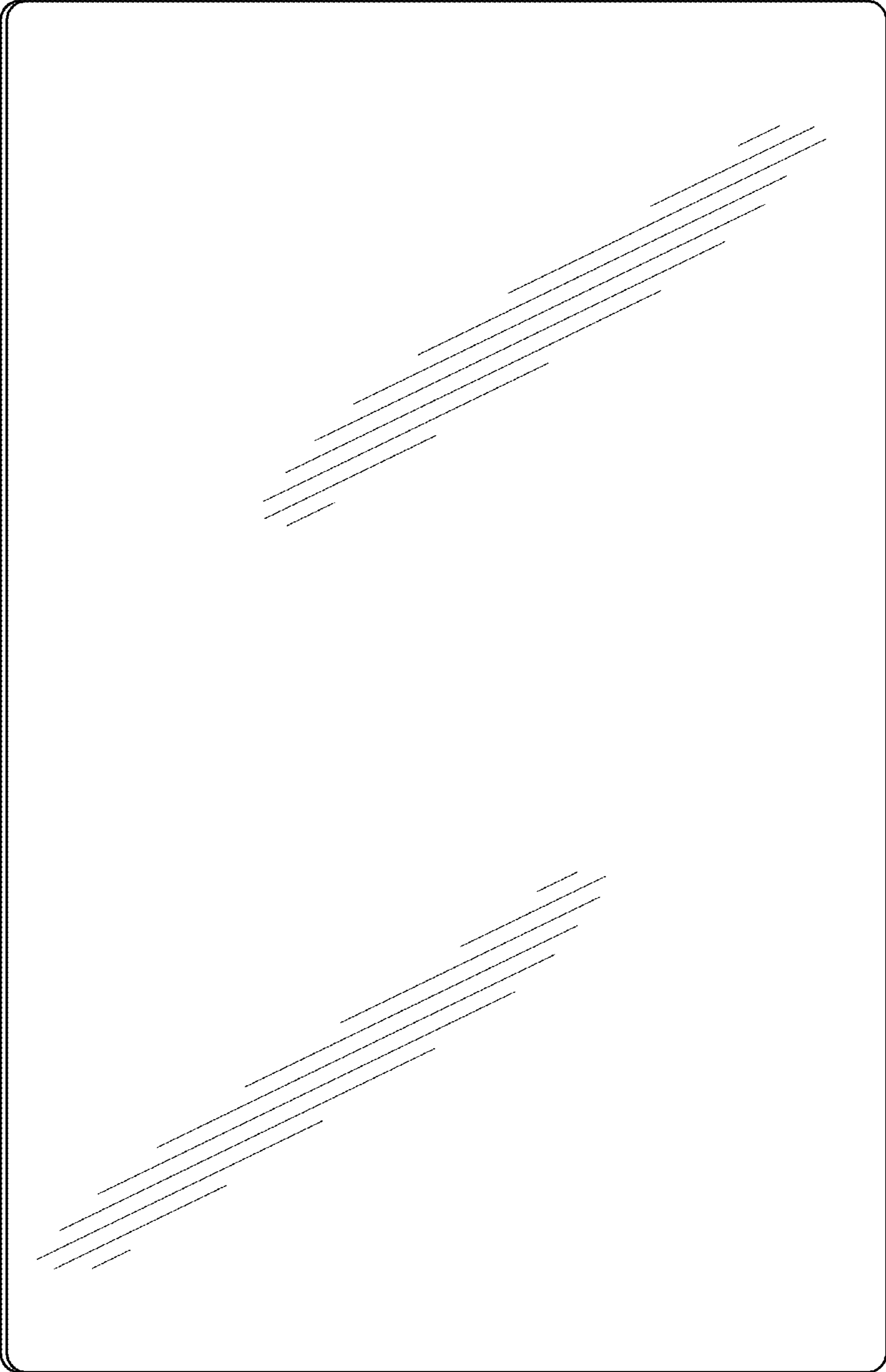


FIG. 39

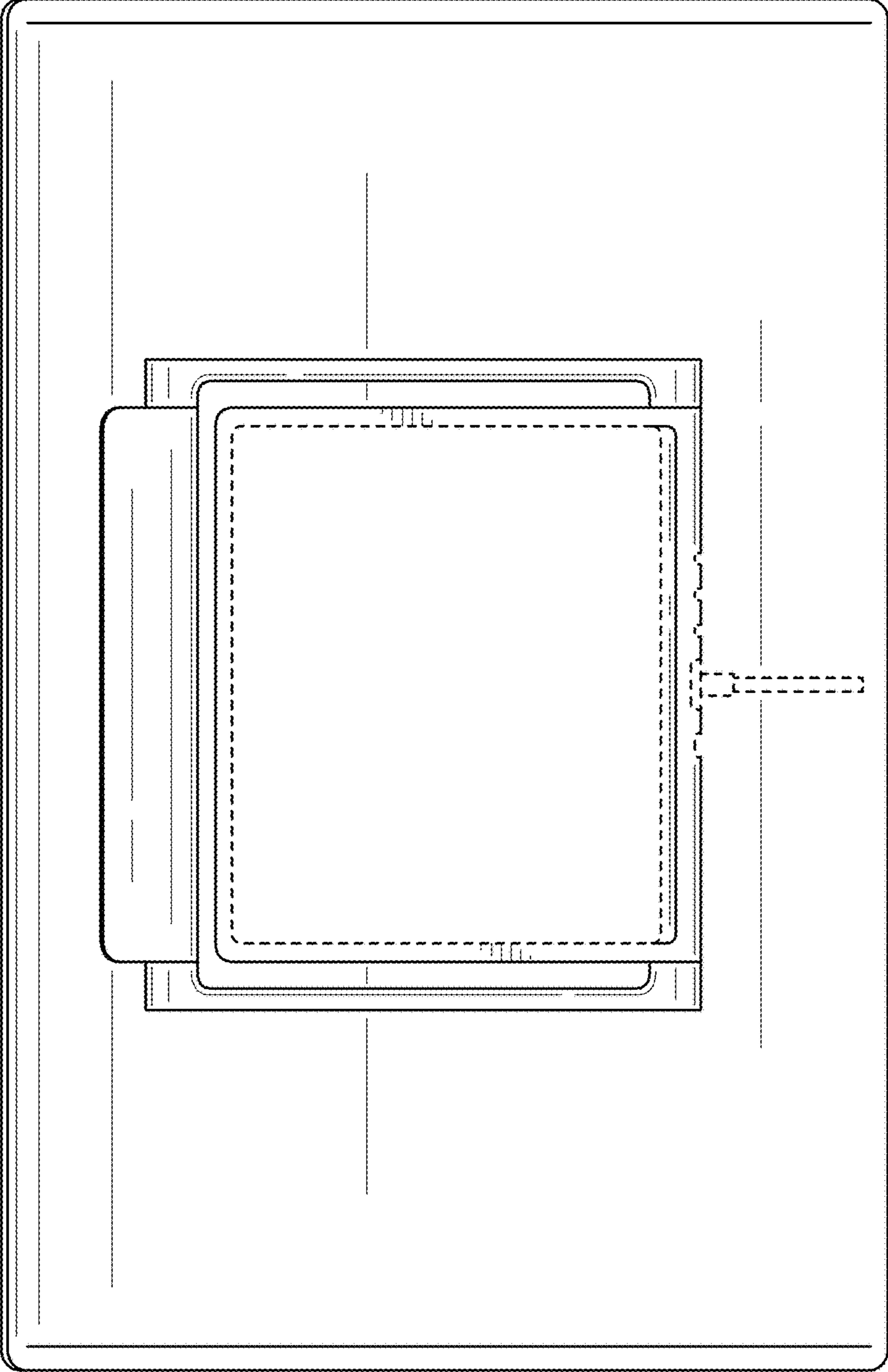


FIG. 40

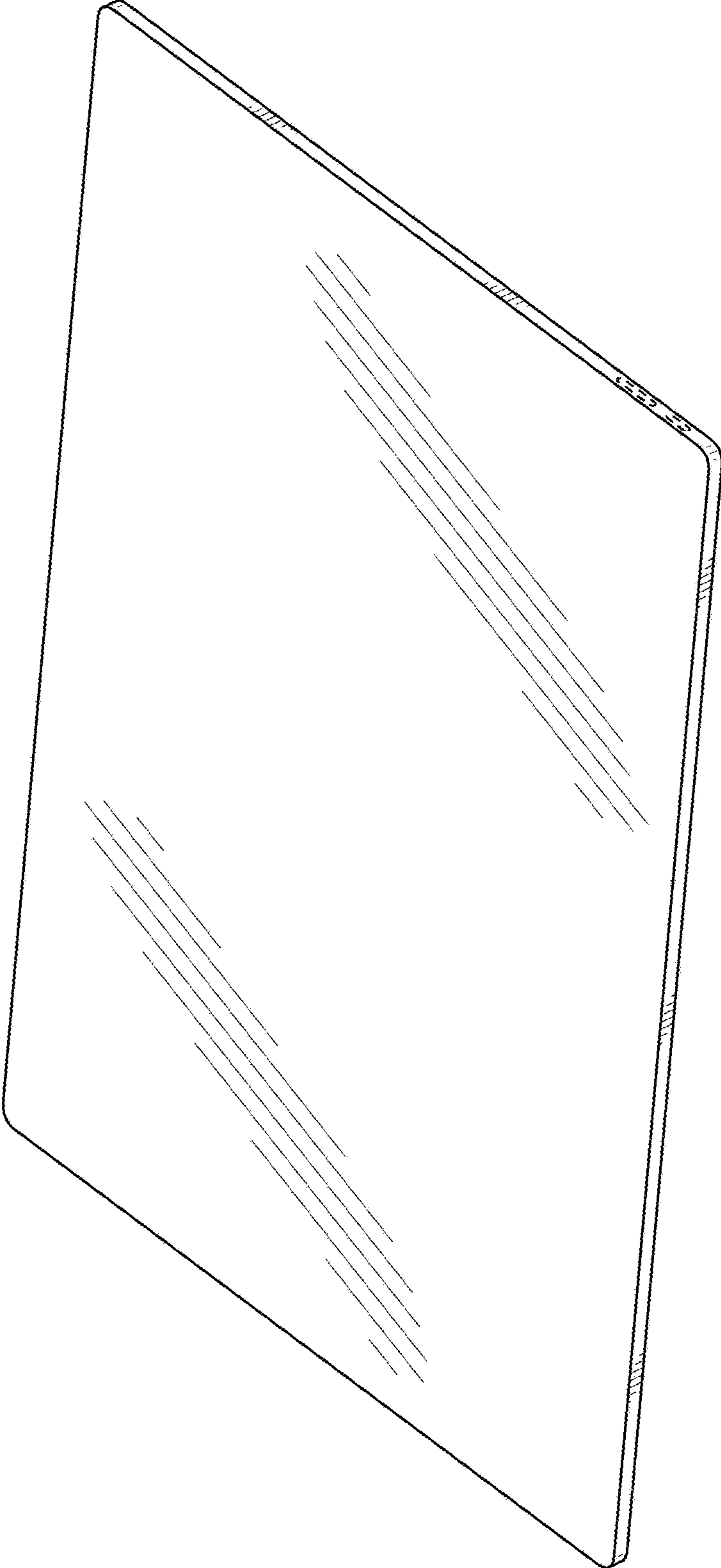


FIG. 41

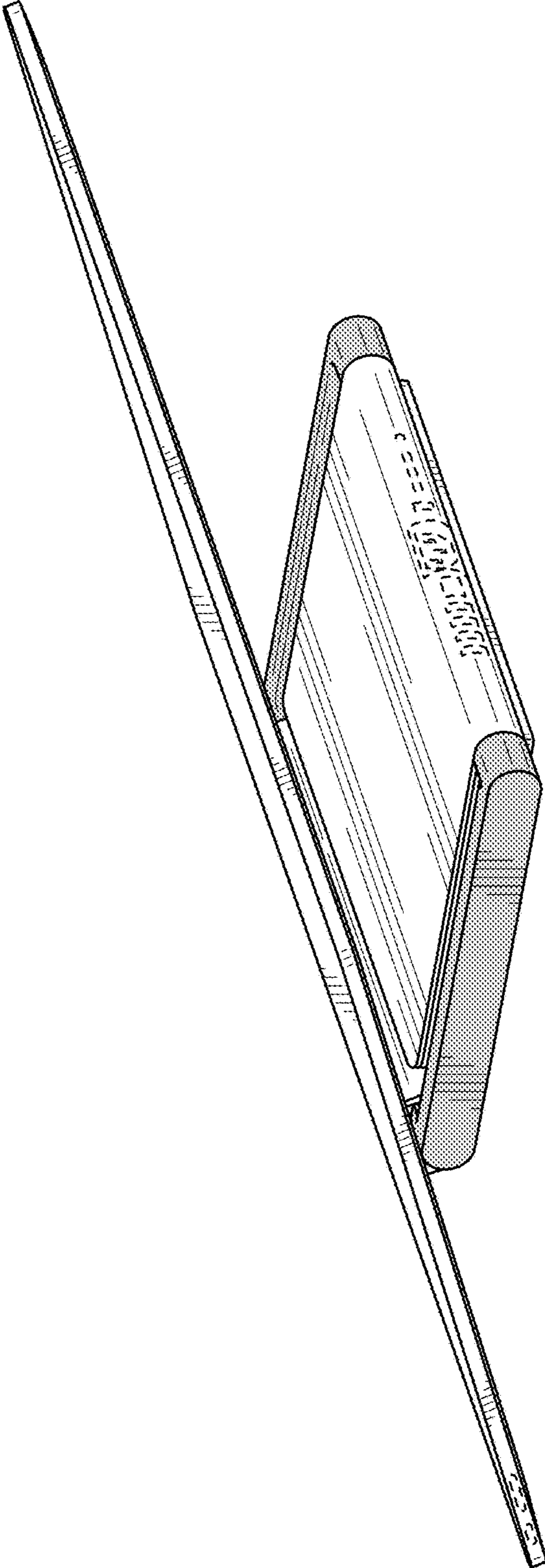


FIG. 42

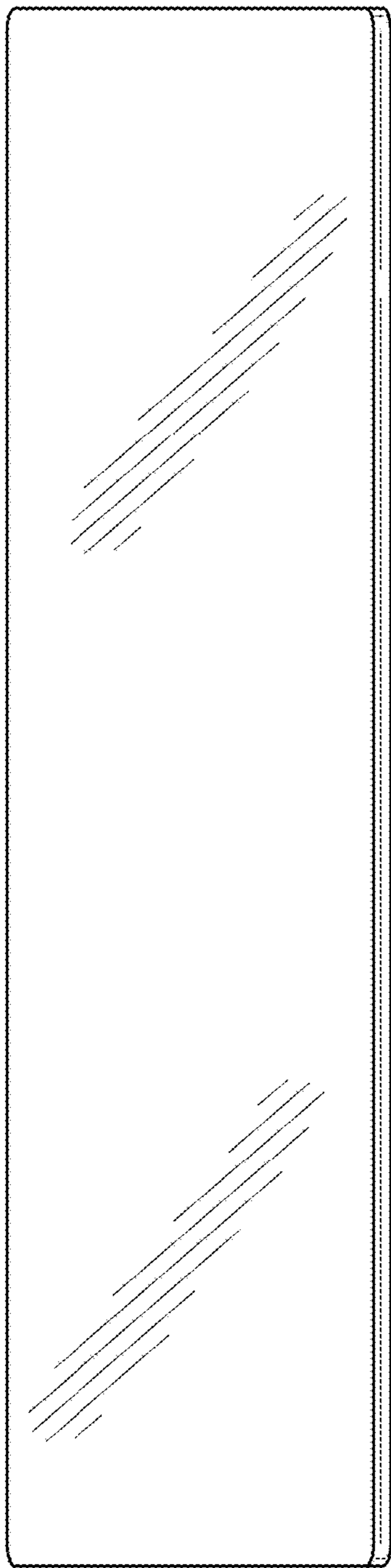


FIG. 43

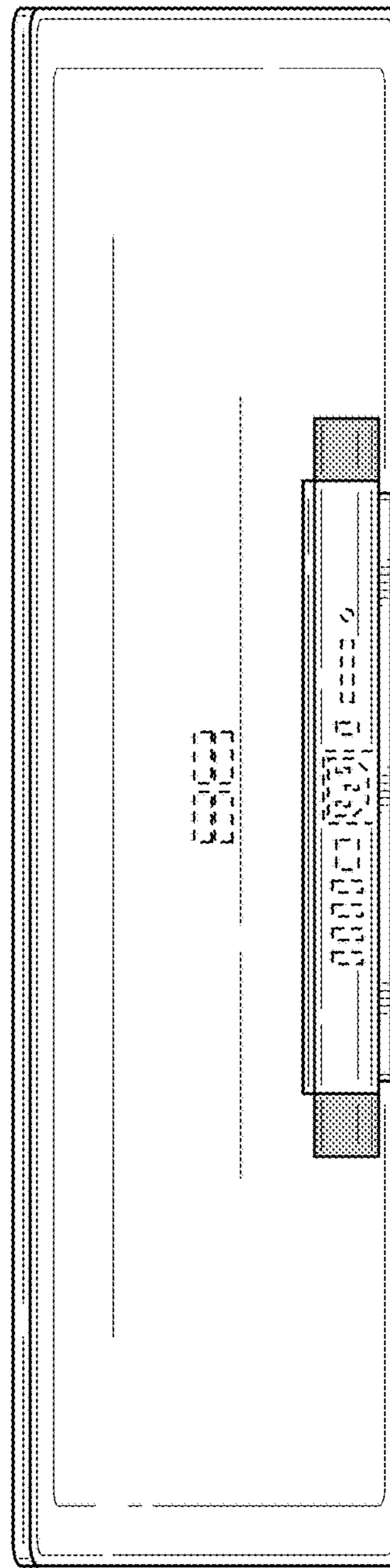


FIG. 44

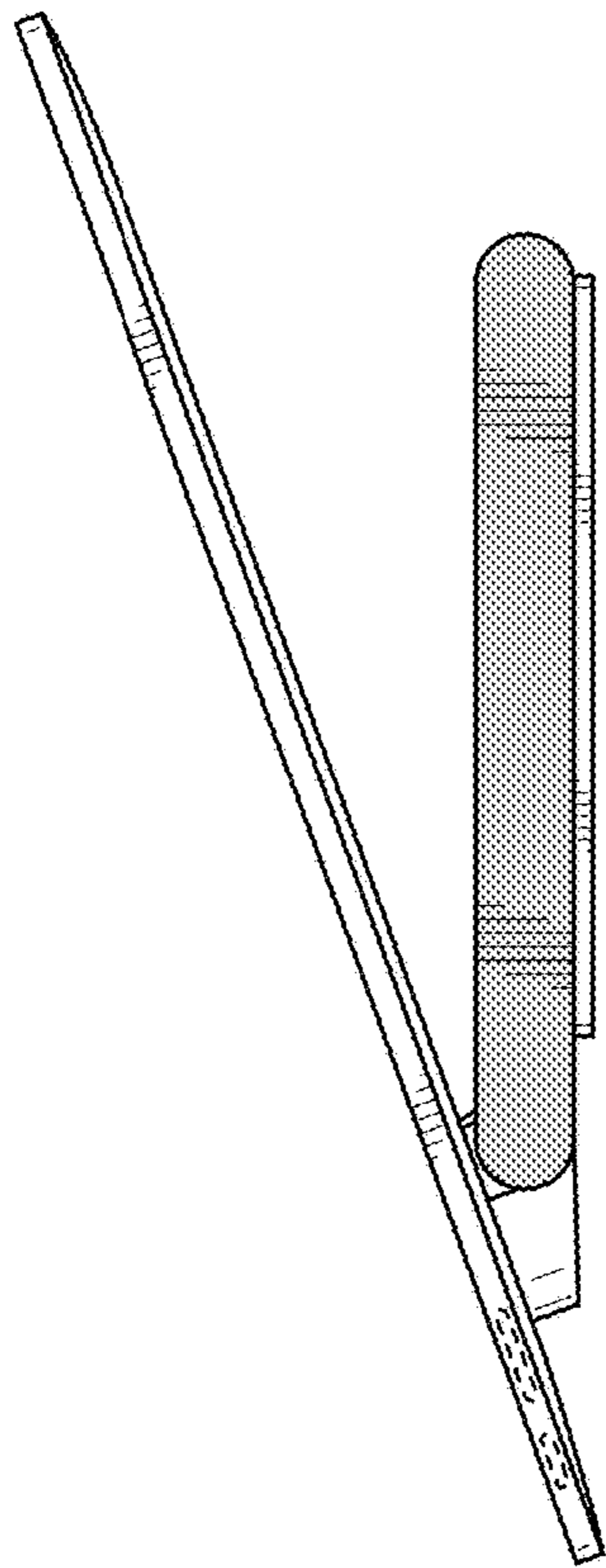


FIG. 45

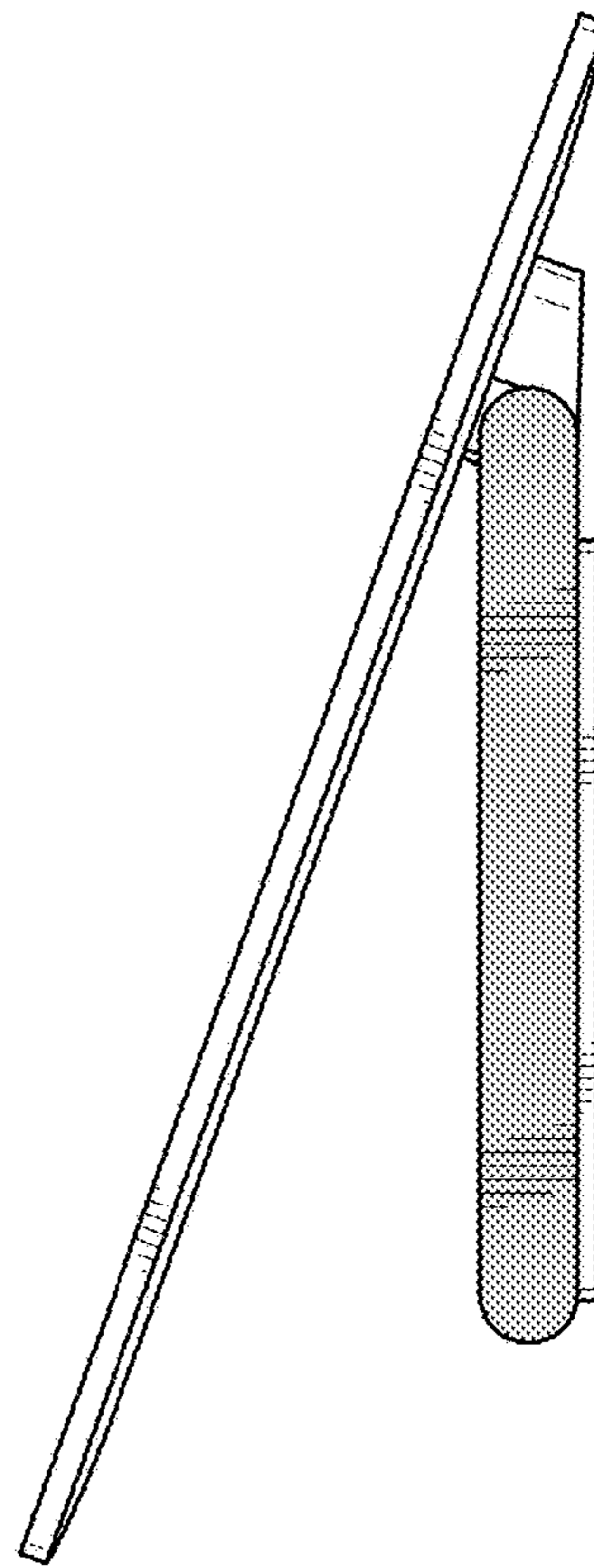


FIG. 46

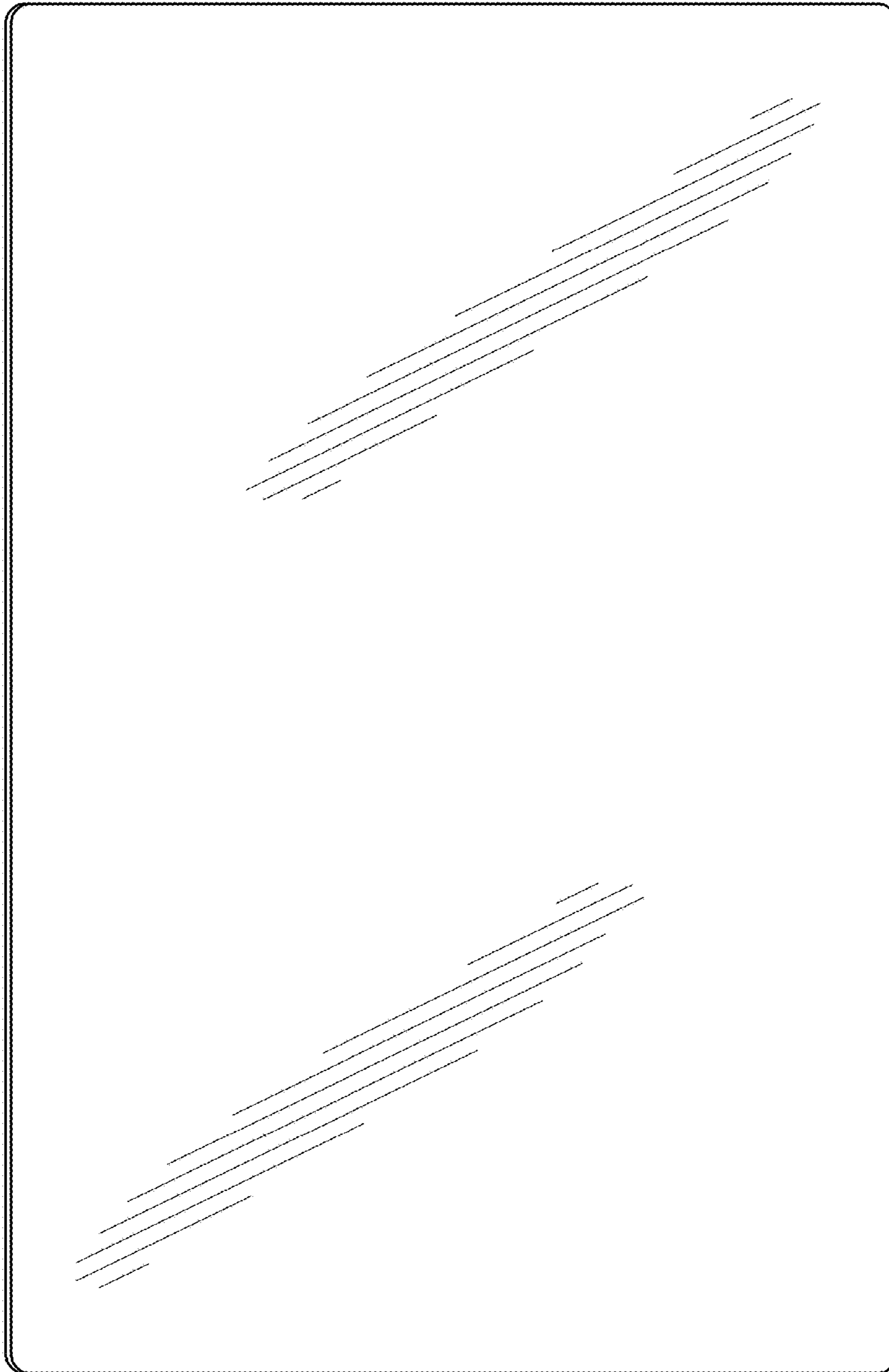


FIG. 47

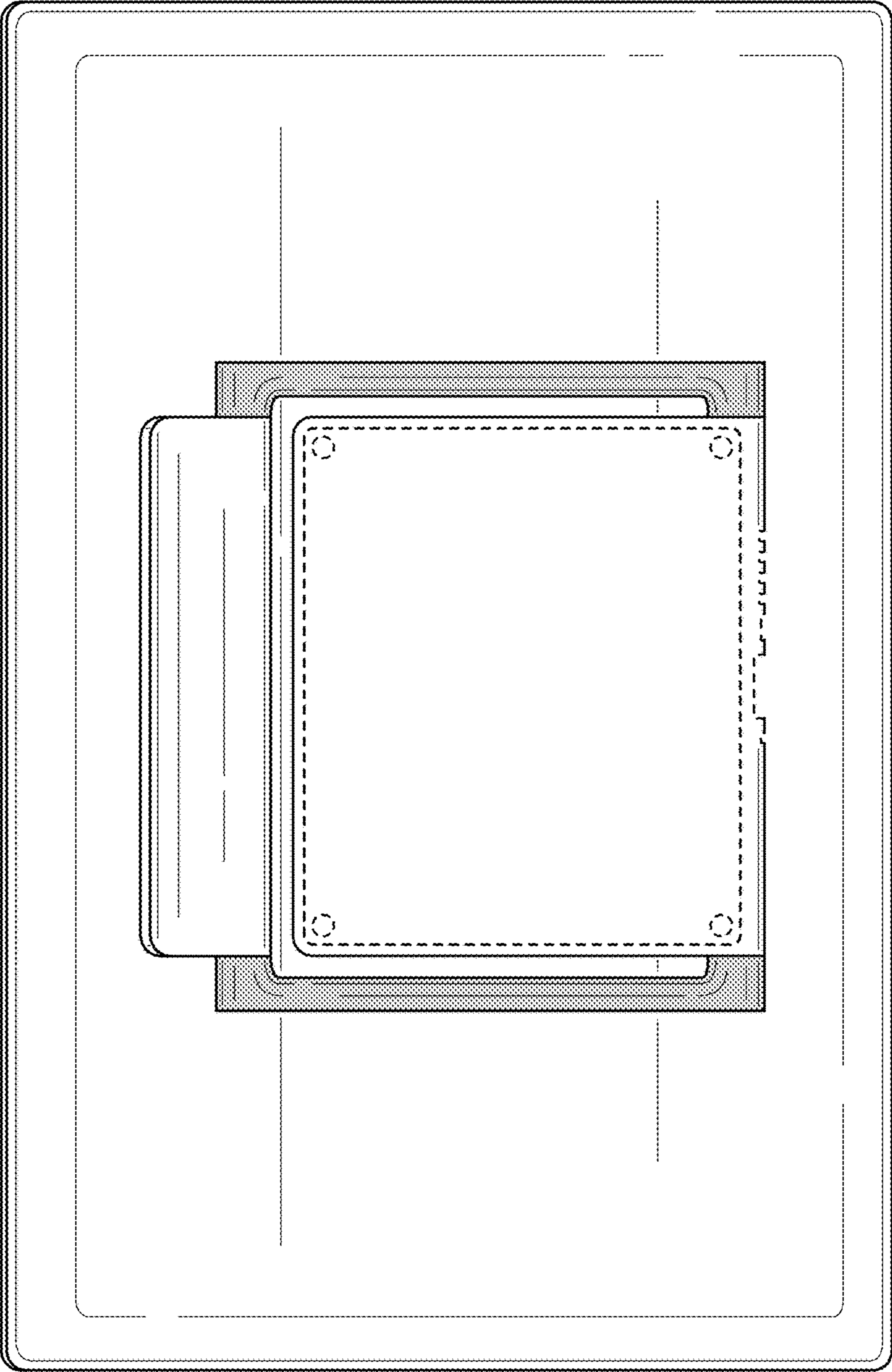


FIG. 48