



US00D803824S

(12) **United States Design Patent**  
**Zhou**

(10) **Patent No.:** **US D803,824 S**

(45) **Date of Patent:** **\*\* Nov. 28, 2017**

(54) **COMPUTER**

(71) Applicant: **LENOVO (BEIJING) CO., LTD.**,  
Beijing (CN)

(72) Inventor: **Ying Zhou**, Beijing (CN)

(73) Assignee: **LENOVO (BEIJING) CO., LTD.**,  
Beijing (CN)

(\*\*) Term: **15 Years**

(21) Appl. No.: **29/559,556**

(22) Filed: **Mar. 29, 2016**

(30) **Foreign Application Priority Data**

Dec. 9, 2015 (CN) ..... 2015 3 0516660

(51) **LOC (10) Cl.** ..... **14-02**

(52) **U.S. Cl.**  
USPC ..... **D14/314**

(58) **Field of Classification Search**

USPC ..... D14/240, 300, 301, 308, 313, 314,  
D14/348-356, 364-368, 441-446, 188;  
D13/123, 158, 162, 184, 199;  
312/223.1-223.3, 351.11;  
360/99.01-99.12; 369/34.01-36.01;  
361/679.31-679.33, 679.37, 679.39,  
361/679.46, 679.53, 679.4, 679.41, 727  
CPC . G06F 1/20; G06F 1/181; G06F 1/187; G06F  
1/183; G06F 1/184; G06F 1/16; H05K  
7/16; H05K 7/1424; H05K 7/1409; H05K  
7/20; H05K 7/20545; H05K 7/20727;  
H05K 7/1425; H05K 7/1488; H05K  
7/183; H05K 7/14; H05K 5/00; H05K  
7/00; H05H 7/20; G11B 33/126; G11B  
33/128; G11B 33/08; G11B 33/02

See application file for complete search history.

(56) **References Cited**

U.S. PATENT DOCUMENTS

5,828,545 A \* 10/1998 Loudenslager ..... G06F 1/181  
211/40  
6,480,398 B1 \* 11/2002 Fiora ..... G06F 1/181  
174/382  
D490,423 S \* 5/2004 Cervantes ..... D14/349  
D518,041 S \* 3/2006 Sun ..... D14/302  
D554,118 S \* 10/2007 Deng ..... D14/349  
D614,620 S \* 4/2010 Haase ..... D14/349

\* cited by examiner

*Primary Examiner* — Freda S Nunn

(74) *Attorney, Agent, or Firm* — Oppedahl Patent Law  
Firm LLC

(57) **CLAIM**

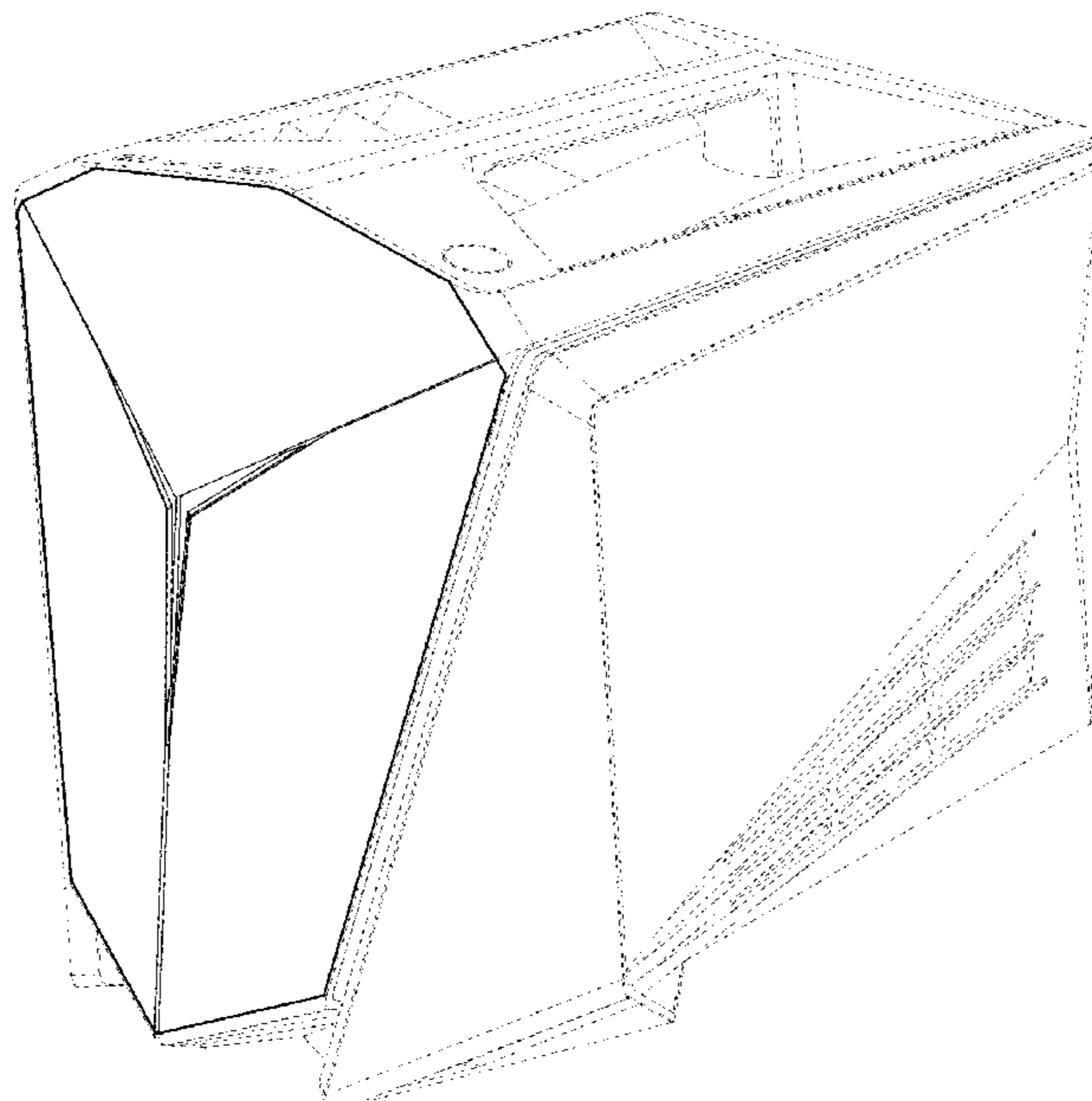
The ornamental design for a computer, as shown and  
described.

**DESCRIPTION**

FIG. 1 is a front view of a computer showing our new  
design;  
FIG. 2 is a back view thereof;  
FIG. 3 is a left side view thereof;  
FIG. 4 is a right side view thereof;  
FIG. 5 is a top view thereof;  
FIG. 6 is a bottom view thereof; and,  
FIG. 7 is a perspective view thereof.

The features shown in broken lines in the drawings depict  
environmental subject matter and form no part of the  
claimed design.

**1 Claim, 7 Drawing Sheets**



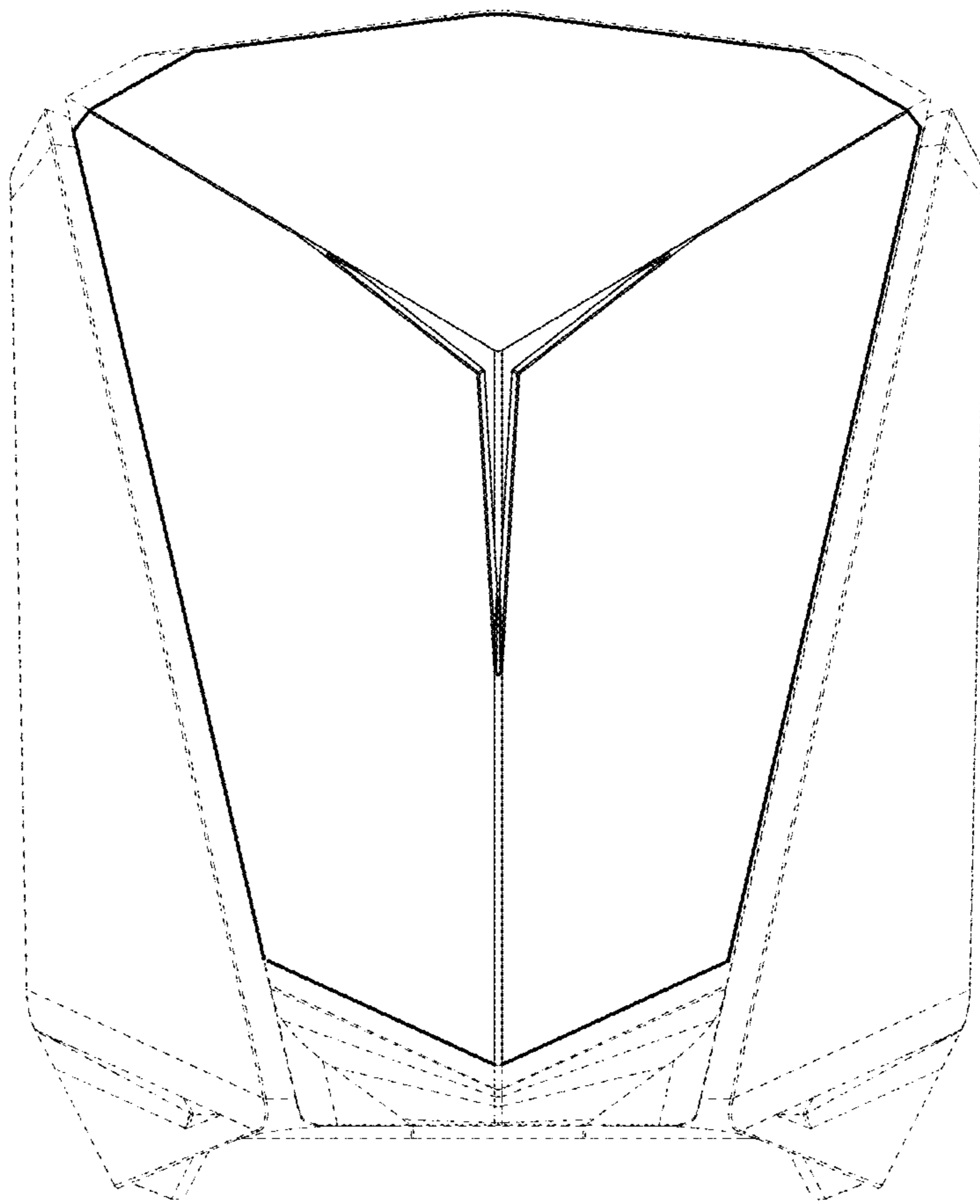


Fig. 1

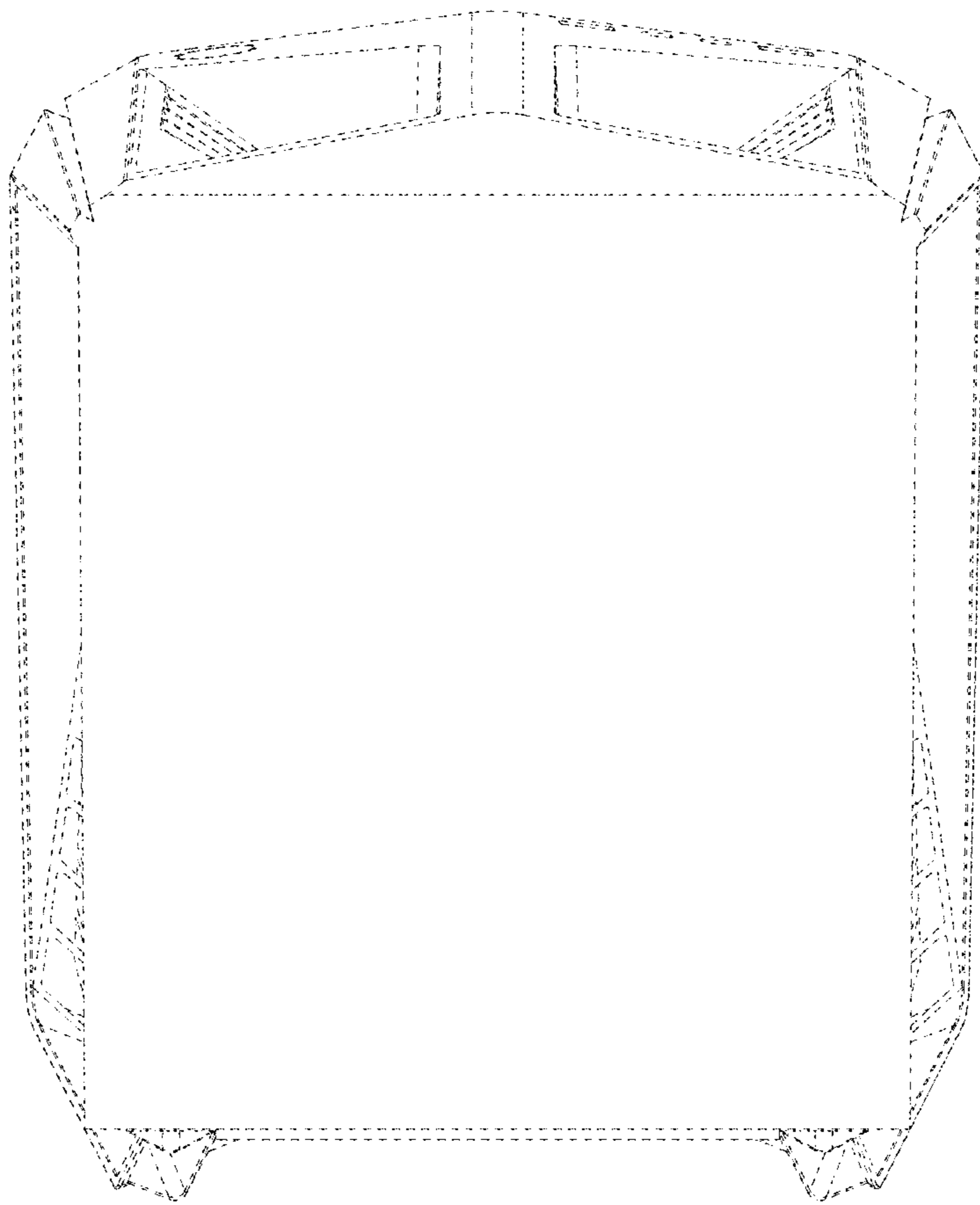


Fig. 2

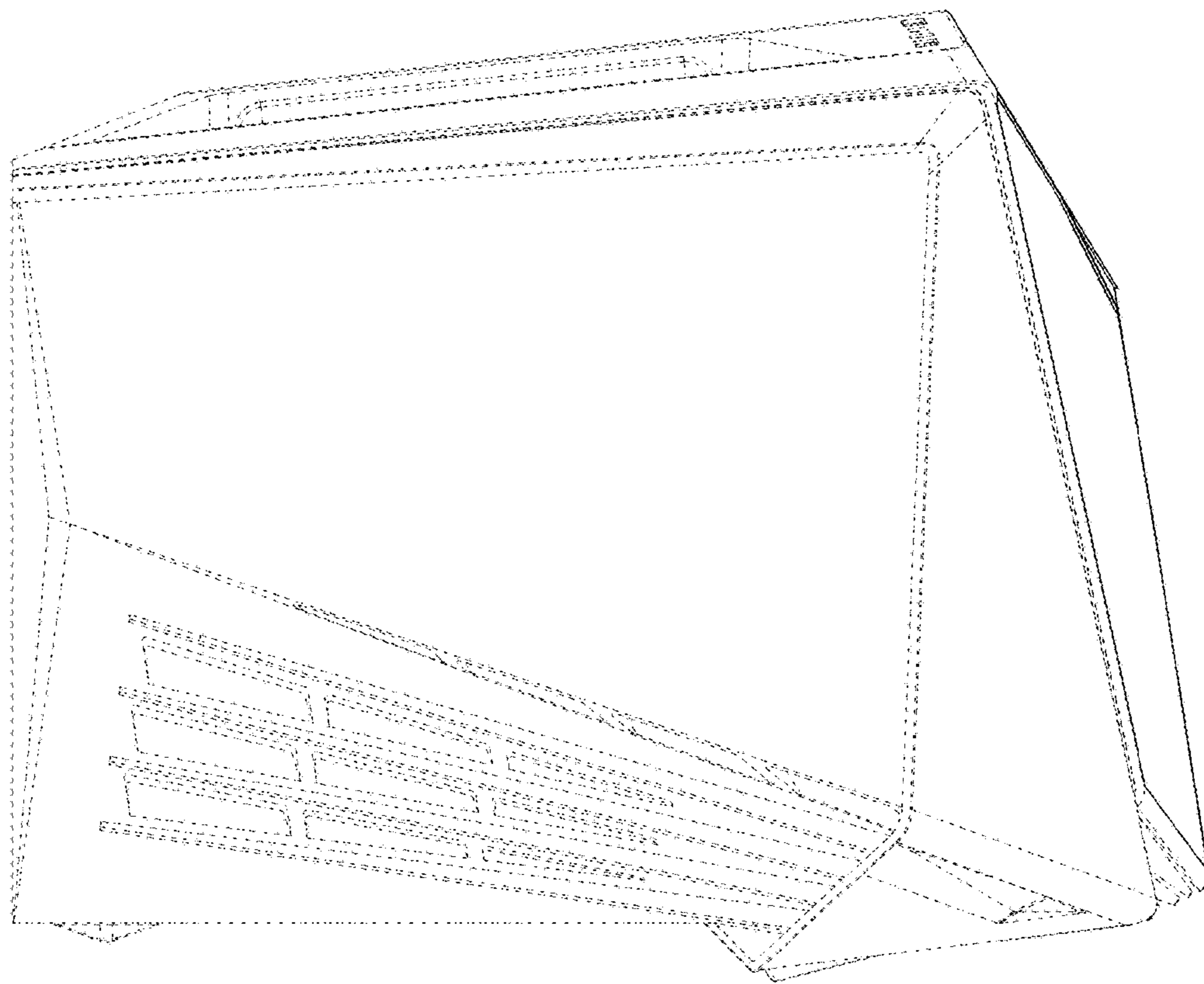


Fig. 3

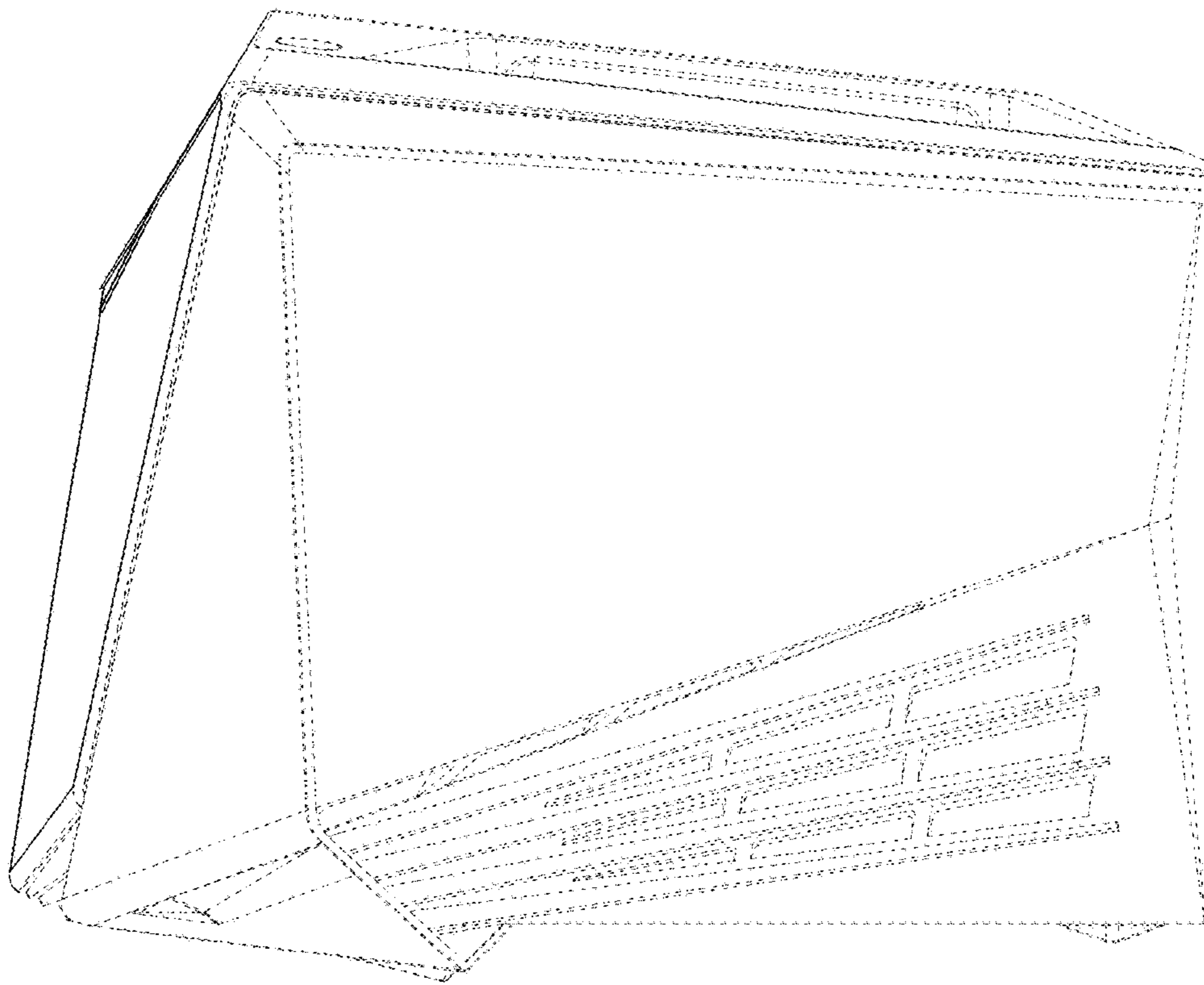


Fig. 4

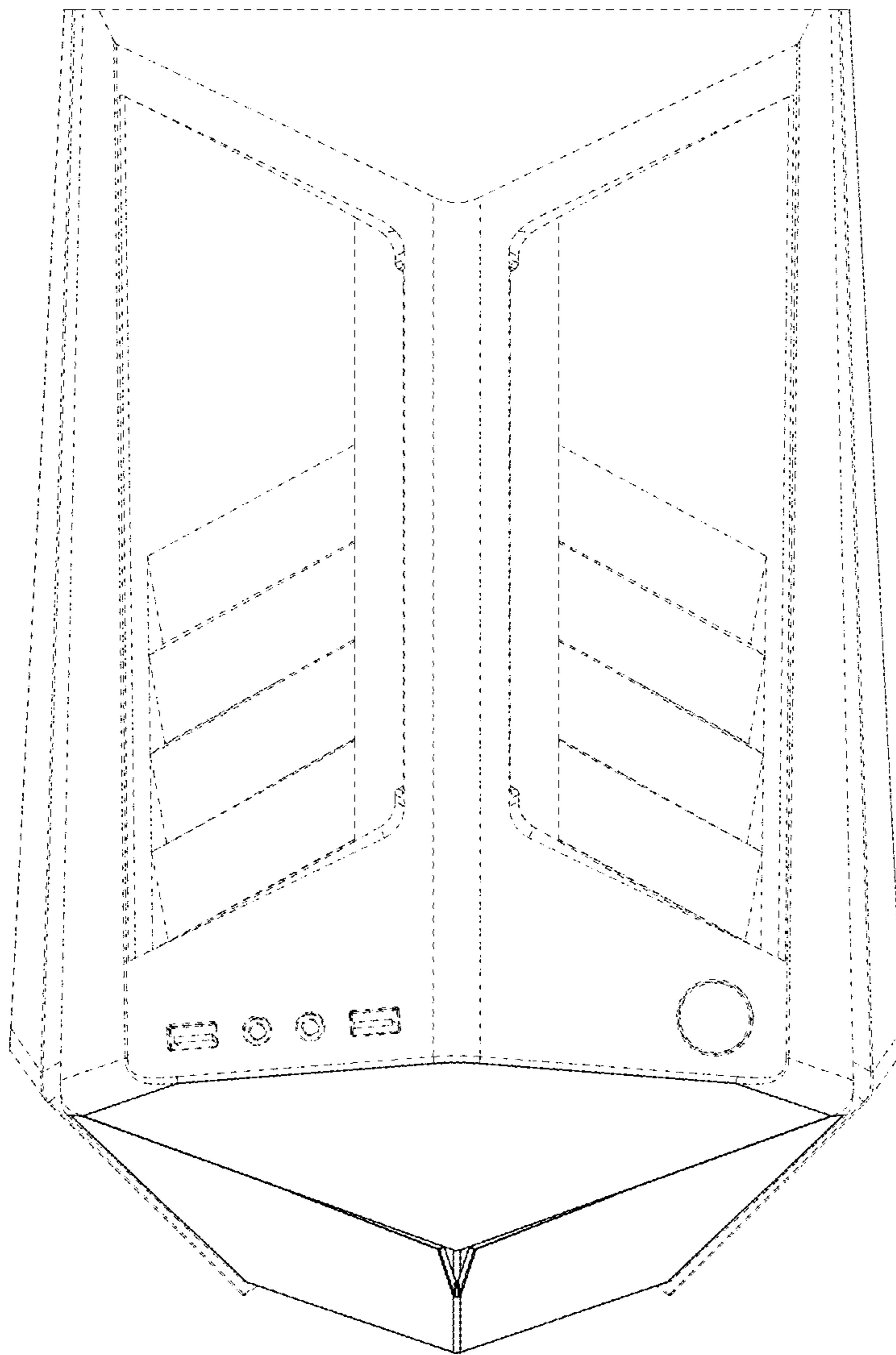


Fig. 5

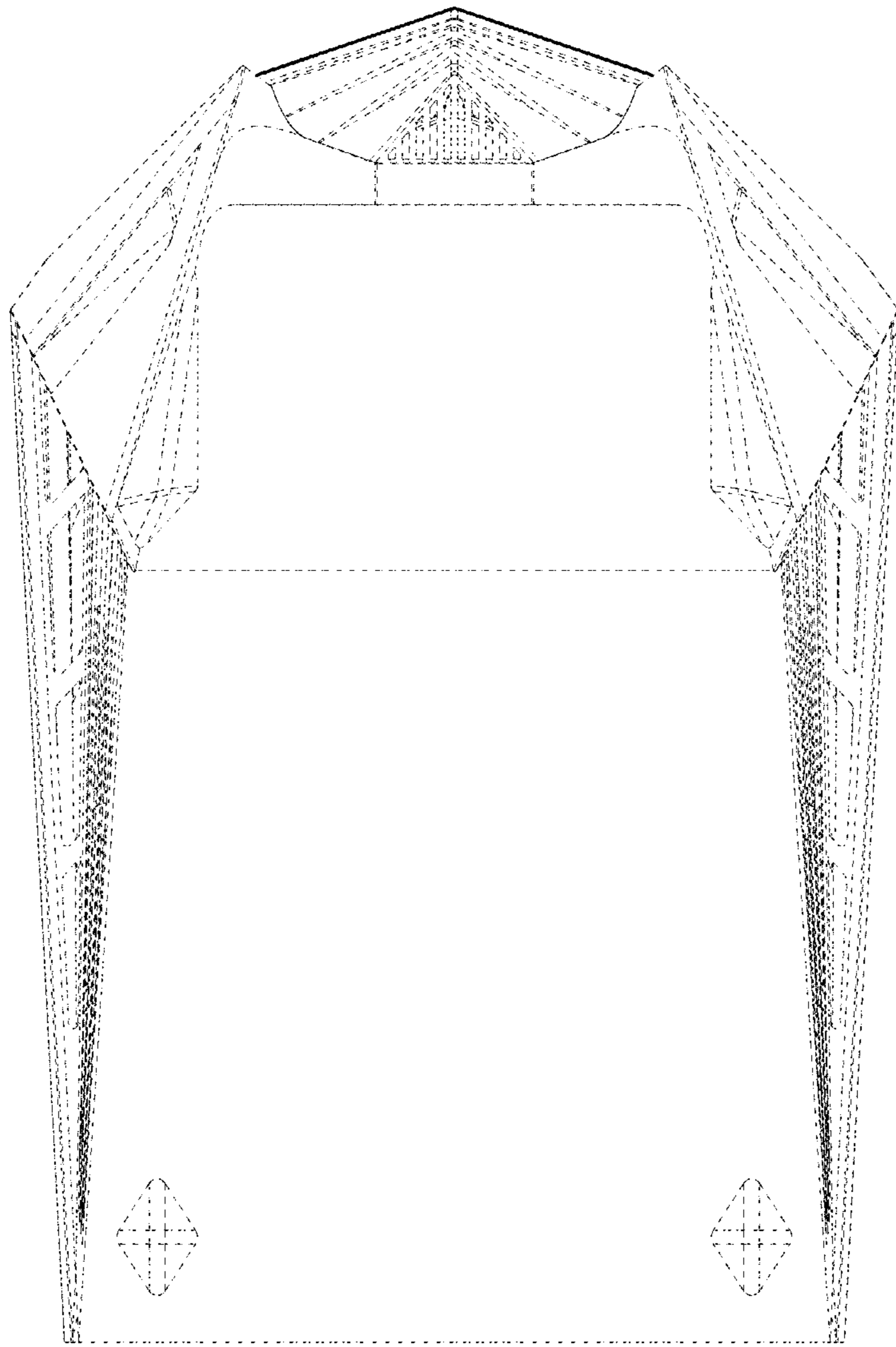


Fig. 6

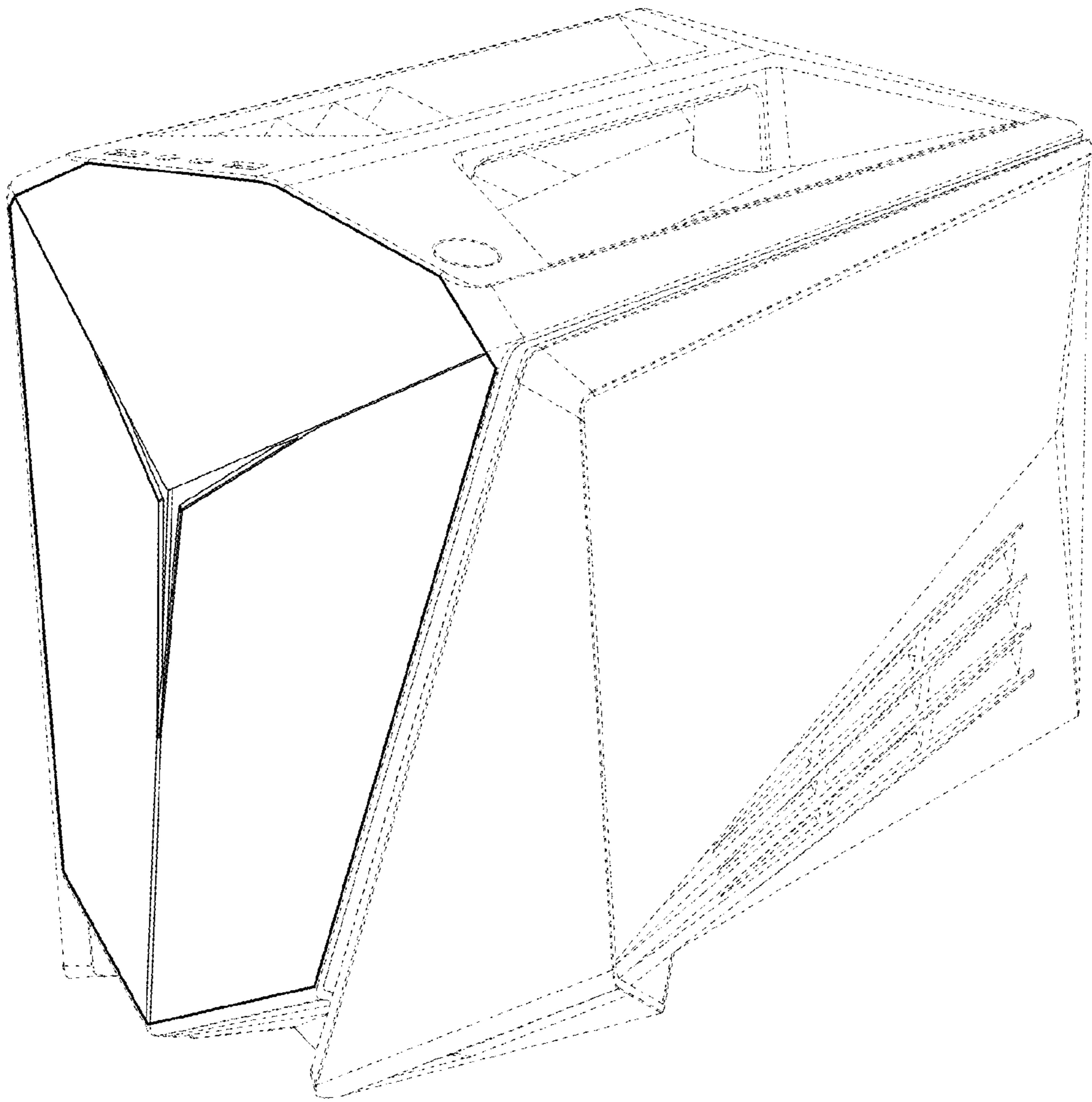


Fig. 7