

US00D803816S

(12) **United States Design Patent**  
**Bolster**

(10) **Patent No.:** **US D803,816 S**

(45) **Date of Patent:** **\*\* Nov. 28, 2017**

(54) **PAIR OF HEADPHONES**

(71) Applicant: **Harman International Industries, Incorporated**, Northridge, CA (US)

(72) Inventor: **Michael Bolster**, Pittsburgh, PA (US)

(73) Assignee: **Harman International Industries, Incorporated**, Northridge, CA (US)

(\*\*) Term: **15 Years**

(21) Appl. No.: **29/576,014**

(22) Filed: **Aug. 31, 2016**

(51) **LOC (10) Cl.** ..... **14-01**

(52) **U.S. Cl.**  
USPC ..... **D14/223**

(58) **Field of Classification Search**

USPC ..... D14/223, 205; D24/174; 128/865, 866;  
181/129, 130, 135; 379/430, 431;  
381/380, 381, 382, 384, 370, 379;  
455/90.3, 575.1, 569.1

CPC ..... H04R 1/10; H04R 25/00; H04R 5/0335;  
H04R 5/033; H04R 1/1066; H04R 1/1016

See application file for complete search history.

(56) **References Cited**

**U.S. PATENT DOCUMENTS**

6,010,216 A \* 1/2000 Jesiek ..... H04B 1/385  
351/158  
6,233,345 B1 \* 5/2001 Urwyler ..... H04R 1/1033  
351/123  
6,799,018 B1 \* 9/2004 Lam ..... H04B 10/11  
381/301  
D584,284 S \* 1/2009 Carr ..... D14/206  
D593,067 S \* 5/2009 Millora ..... D14/205  
D593,538 S \* 6/2009 Chon ..... D14/205  
D594,442 S \* 6/2009 Chon ..... D14/205

(Continued)

*Primary Examiner* — Paula Allen Greene

(74) *Attorney, Agent, or Firm* — Plumsea Law Group, LLC

(57) **CLAIM**

The ornamental design for a pair of headphones, as shown and described.

**DESCRIPTION**

FIG. 1 is a back perspective view of a left headphone of a pair of headphones showing my new design;

FIG. 2 is a front perspective view of the headphone of FIG. 1;

FIG. 3 is a back elevational view of the headphone of FIG. 1;

FIG. 4 is a front elevational view of the headphone of FIG. 1;

FIG. 5 is a right side elevational view of the headphone of FIG. 1;

FIG. 6 is a left side elevational view of the headphone of FIG. 1;

FIG. 7 is a top plan view of the headphone of FIG. 1;

FIG. 8 is a bottom plan view of the headphone of FIG. 1;

FIG. 9 is a back perspective view of a right headphone of a pair of headphones of my new design;

FIG. 10 is a front perspective view of the headphone of FIG. 9;

FIG. 11 is a back elevational view of the headphone of FIG. 9;

FIG. 12 is a front elevational view of the headphone of FIG. 9;

FIG. 13 is a right side elevational view of the headphone of FIG. 9;

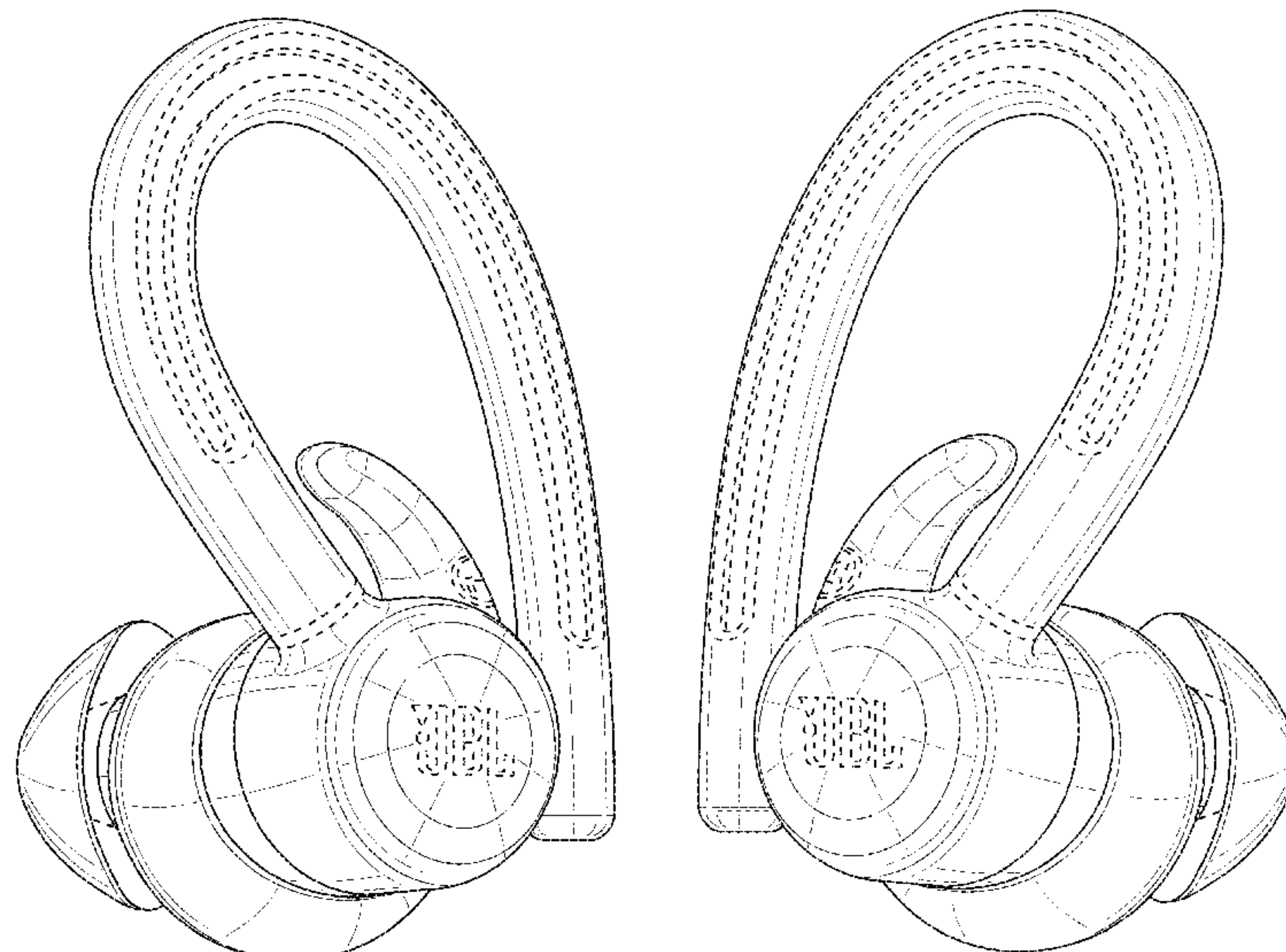
FIG. 14 is a left side elevational view of the headphone of FIG. 9;

FIG. 15 is a top plan view of the headphone of FIG. 9; and,

FIG. 16 is a bottom plan view of the headphone of FIG. 9.

The broken line showings and unshaded areas depict environment that forms no part of the claimed design.

**1 Claim, 16 Drawing Sheets**



(56)

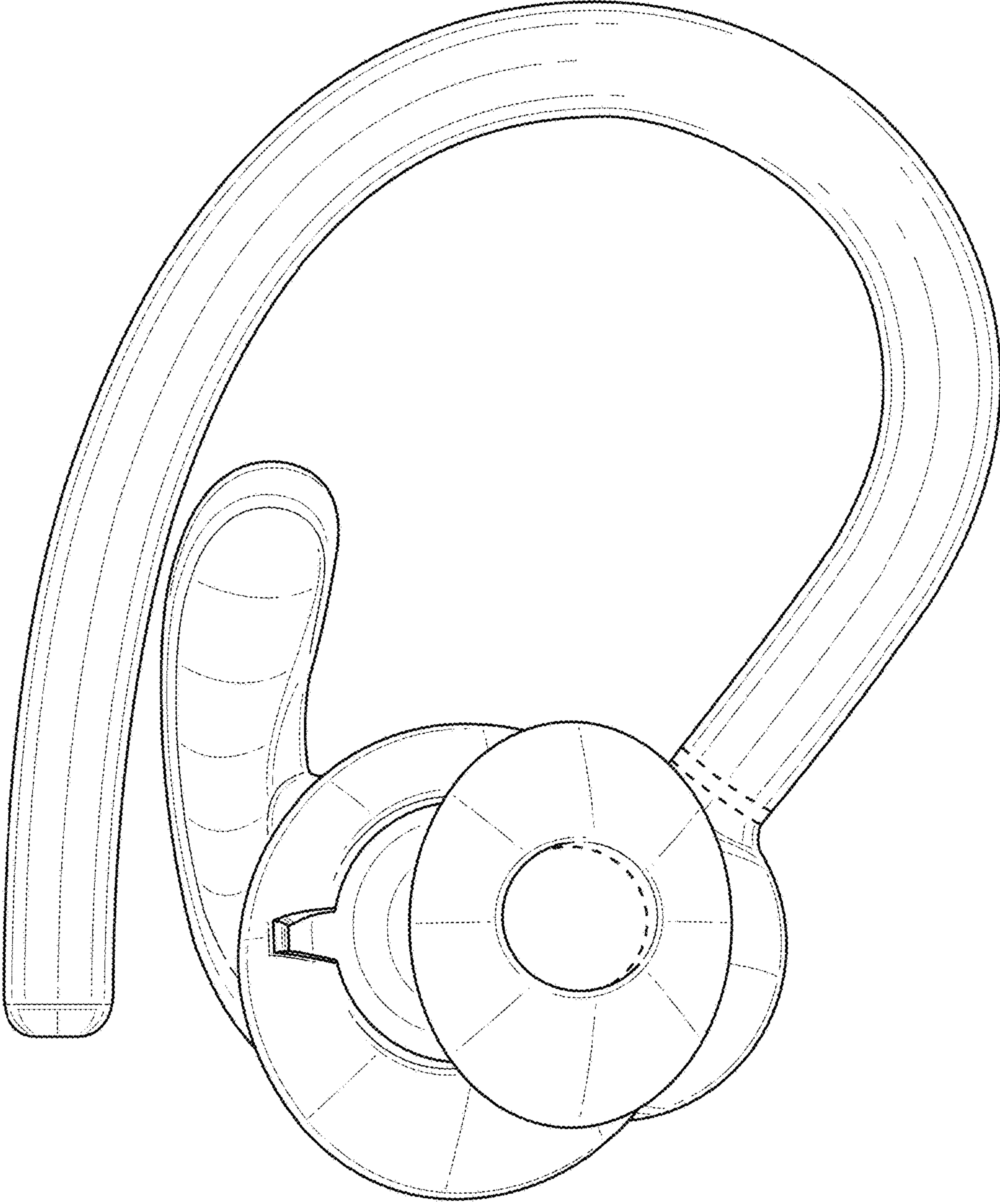
References Cited

U.S. PATENT DOCUMENTS

7,920,902 B2 \* 4/2011 Carroll ..... H04M 1/6066  
381/74  
D641,010 S \* 7/2011 Kwon ..... D14/223  
D641,737 S \* 7/2011 Krauss ..... D14/205  
8,009,853 B2 \* 8/2011 Ito ..... H04R 1/1066  
381/370  
D645,458 S \* 9/2011 Silvestri ..... H04R 1/1016  
D14/223  
8,073,181 B2 \* 12/2011 Bakalos ..... H04R 3/04  
381/103  
D658,157 S \* 4/2012 McManigal ..... D14/205  
D663,714 S \* 7/2012 Kang ..... D14/205  
D678,858 S \* 3/2013 Feng ..... D14/205  
D686,191 S \* 7/2013 Schaal ..... D14/205  
D695,265 S \* 12/2013 Schaal ..... D14/205  
D695,266 S \* 12/2013 Schaal ..... D14/205  
D695,267 S \* 12/2013 Schaal ..... D14/205  
D699,703 S \* 2/2014 Schaal ..... D14/205  
D703,634 S \* 4/2014 Han ..... H04R 1/1016  
D14/205  
8,737,669 B2 \* 5/2014 Monahan ..... H04R 1/1016  
381/325  
D715,253 S \* 10/2014 Lee ..... D14/205  
D716,759 S \* 11/2014 Ha ..... D14/205  
D727,871 S \* 4/2015 Orbach ..... D14/205  
D727,873 S \* 4/2015 Schaal ..... D14/205  
D730,867 S \* 6/2015 Park ..... D14/205  
D731,999 S \* 6/2015 Cypress ..... D14/205  
D756,958 S \* 5/2016 Lee ..... D14/205  
D756,959 S \* 5/2016 Lee ..... D14/205  
D758,339 S \* 6/2016 Lee ..... D14/205  
D763,224 S \* 8/2016 Silvestri ..... H04R 1/1016  
D14/205

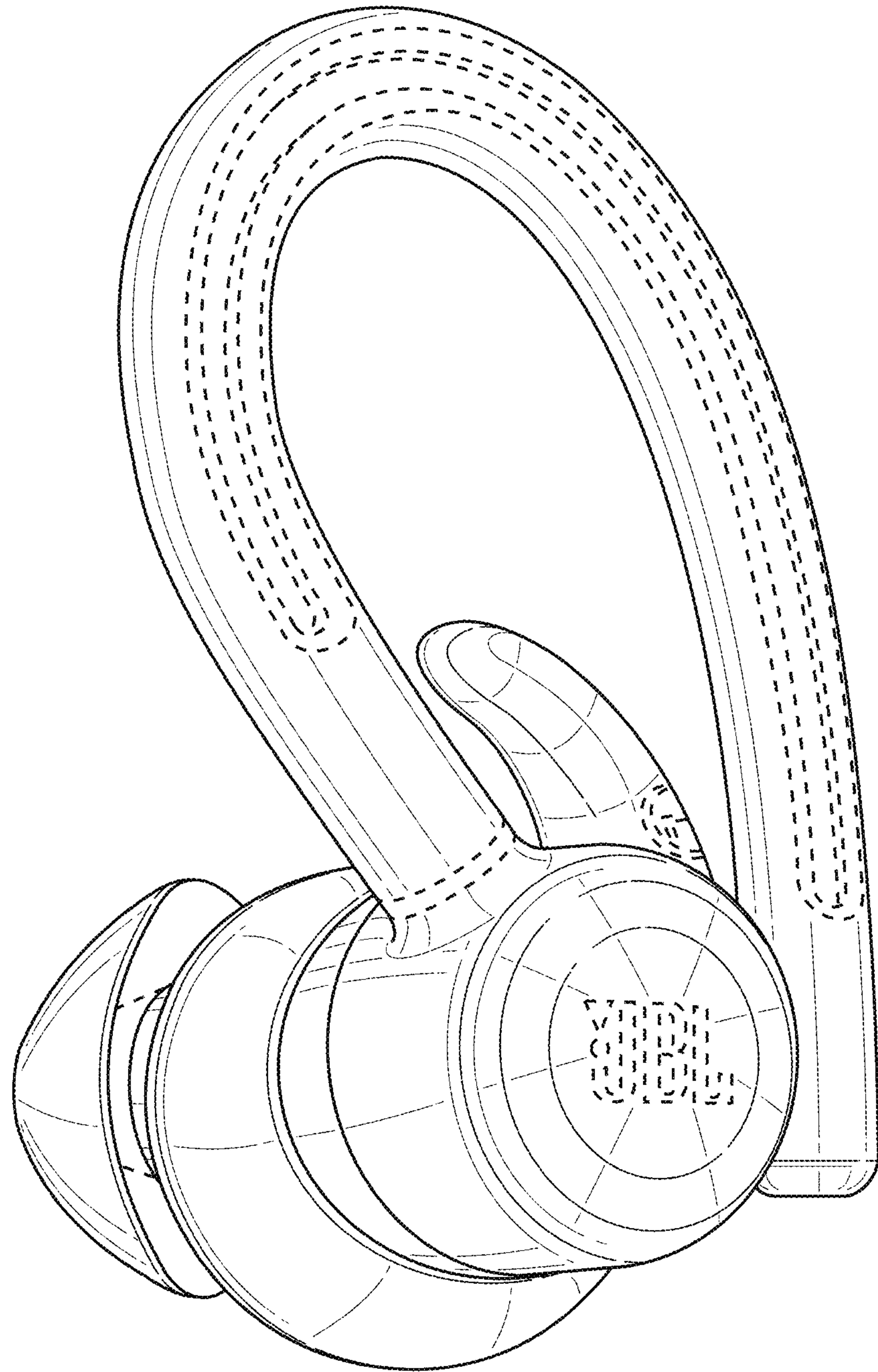
D763,227 S \* 8/2016 Lee ..... D14/205  
D763,822 S \* 8/2016 Lee ..... D14/205  
D764,436 S \* 8/2016 Dryden ..... D14/205  
D766,210 S \* 9/2016 Graylin ..... D14/205  
D766,869 S \* 9/2016 Lee ..... D14/205  
9,445,181 B1 \* 9/2016 Atwater ..... H04R 1/105  
D768,600 S \* 10/2016 Chen ..... D14/205  
D771,011 S \* 11/2016 Ott ..... D14/205  
D771,013 S \* 11/2016 Yang ..... D14/205  
D771,587 S \* 11/2016 Iwane ..... D14/205  
D772,194 S \* 11/2016 Choe ..... D14/205  
D772,195 S \* 11/2016 Lee ..... D14/205  
D772,196 S \* 11/2016 Choi ..... D14/205  
D772,843 S \* 11/2016 Lee ..... D14/205  
D772,845 S \* 11/2016 Lim ..... D14/205  
D773,439 S \* 12/2016 Walker ..... D14/205  
D774,017 S \* 12/2016 Ahn ..... D14/205  
D774,490 S \* 12/2016 Lin ..... D14/205  
D775,610 S \* 1/2017 Nakajima ..... D14/223  
D782,442 S \* 3/2017 Chen ..... D14/205  
2007/0104333 A1 \* 5/2007 Kuo ..... H04R 1/1025  
381/74  
2009/0274335 A1 \* 11/2009 Cheung ..... H04R 5/0335  
381/374  
2011/0170702 A1 \* 7/2011 Bays ..... H04R 5/0335  
381/74  
2012/0163617 A1 \* 6/2012 Silvestri ..... H04R 1/1016  
381/74  
2014/0185837 A1 \* 7/2014 Kunimoto ..... H04R 1/1075  
381/151  
2016/0037248 A1 \* 2/2016 Cheng ..... H04R 1/105  
381/74  
2016/0073186 A1 \* 3/2016 Searl ..... H04R 1/1016  
381/380

\* cited by examiner

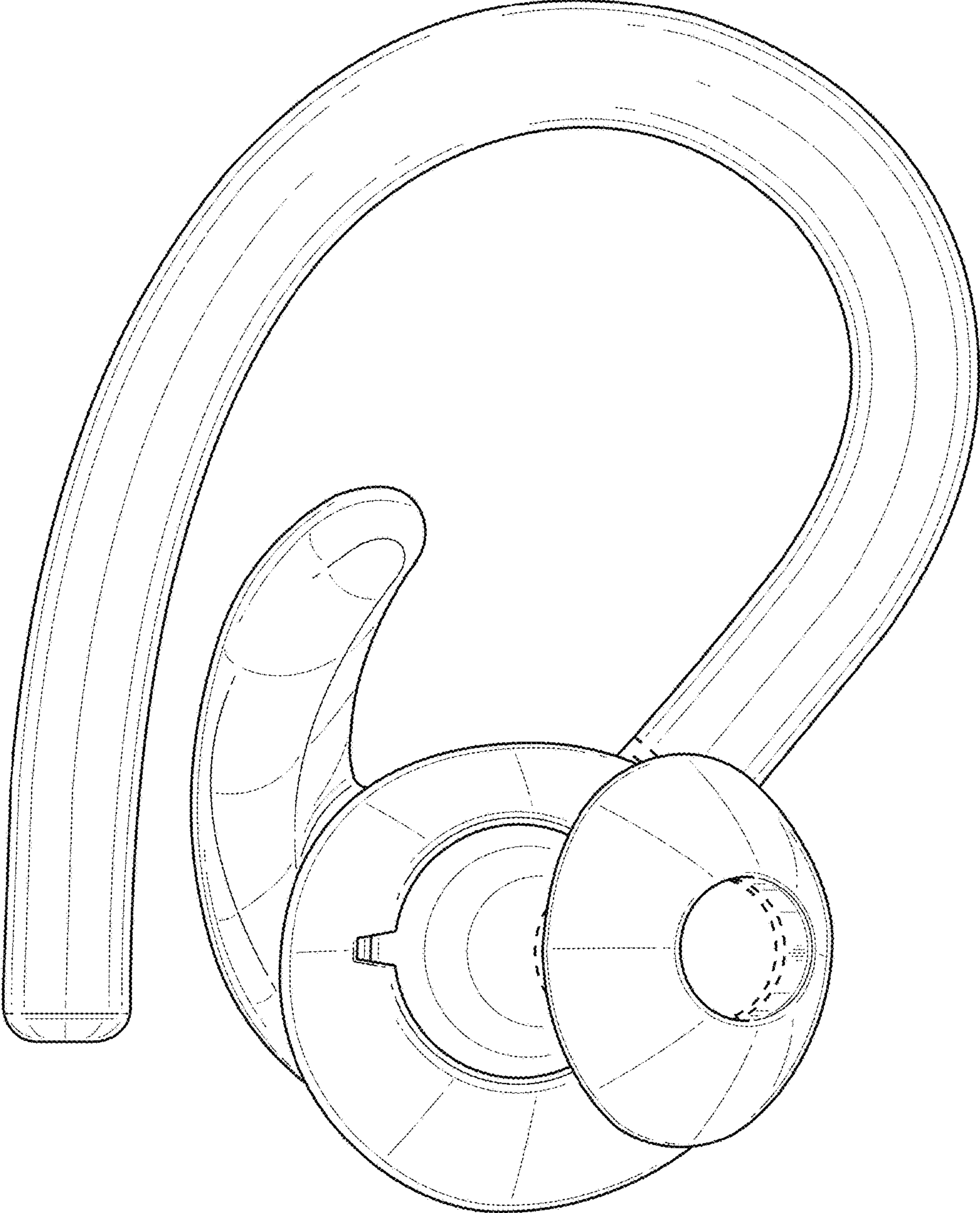


**FIG. 1**

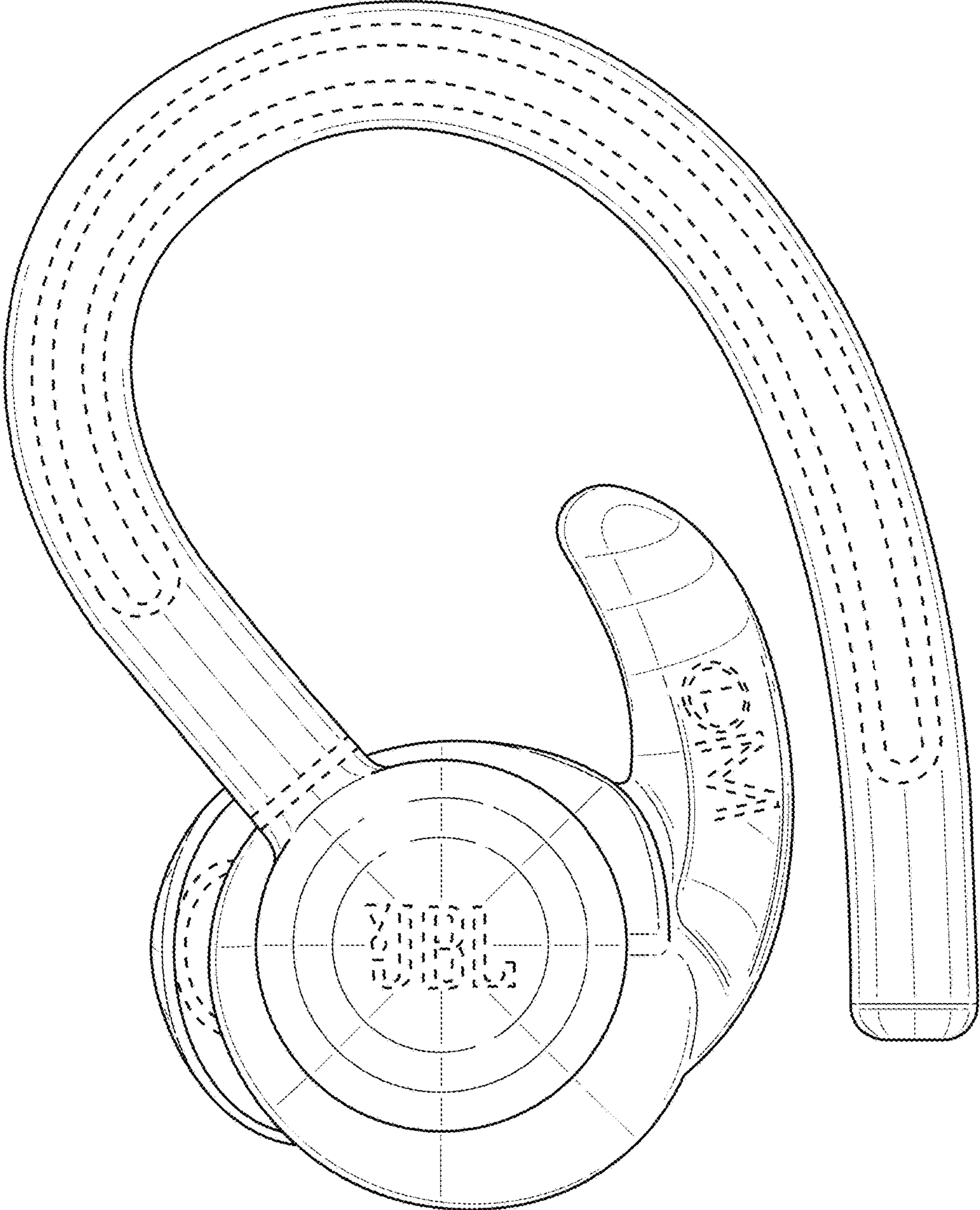




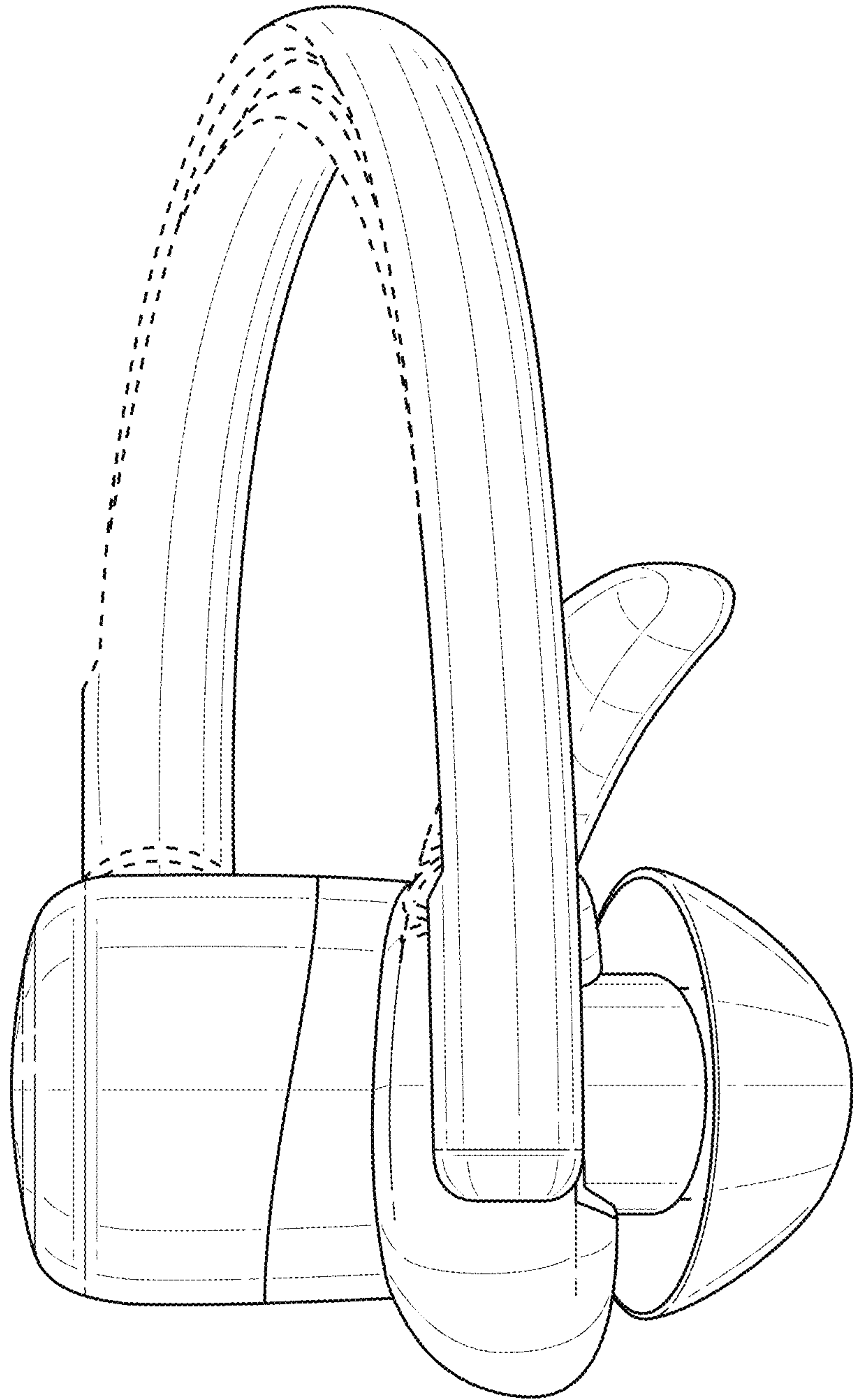
**FIG. 2**



**FIG. 3**

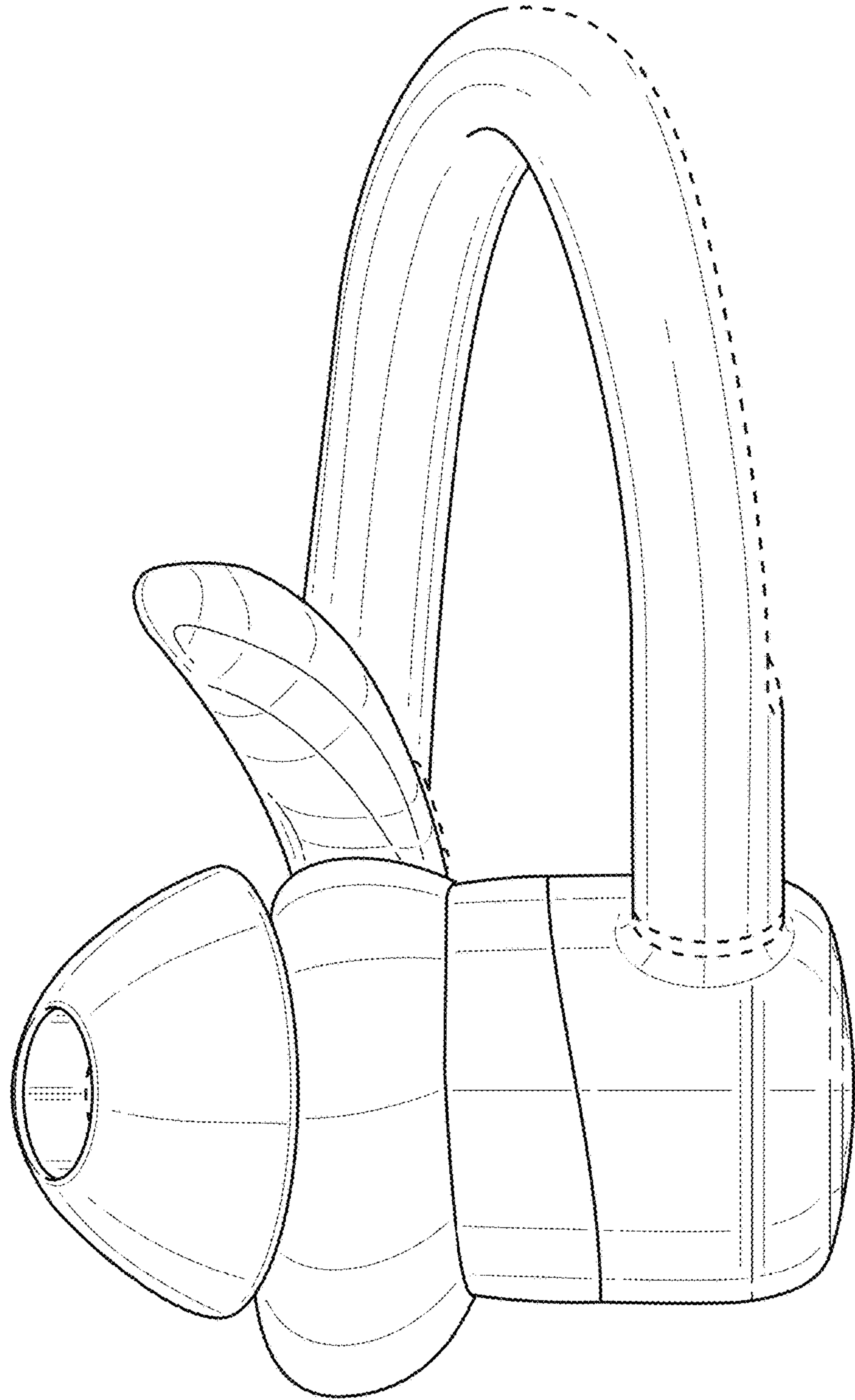


**FIG. 4**



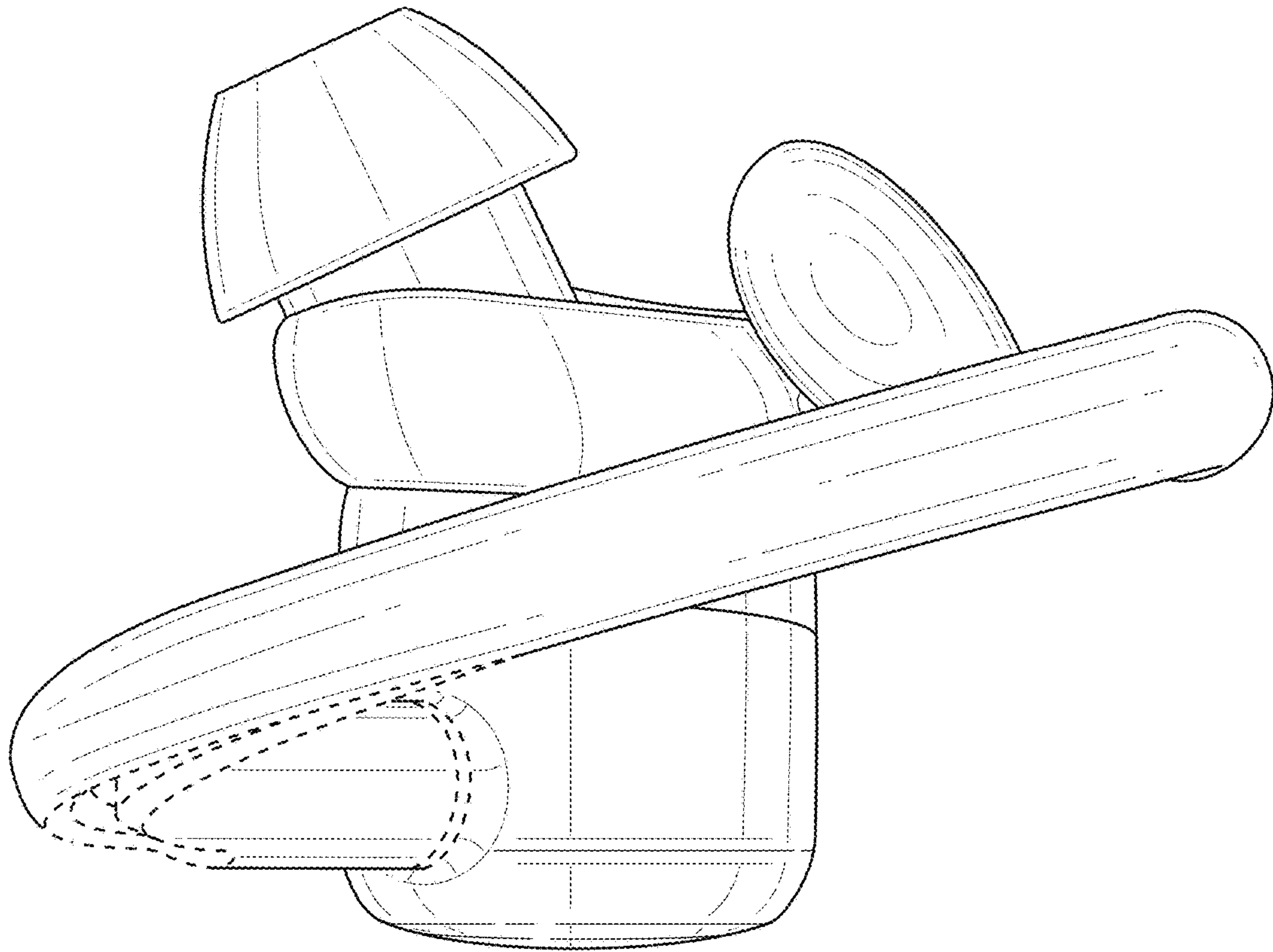
**FIG. 5**



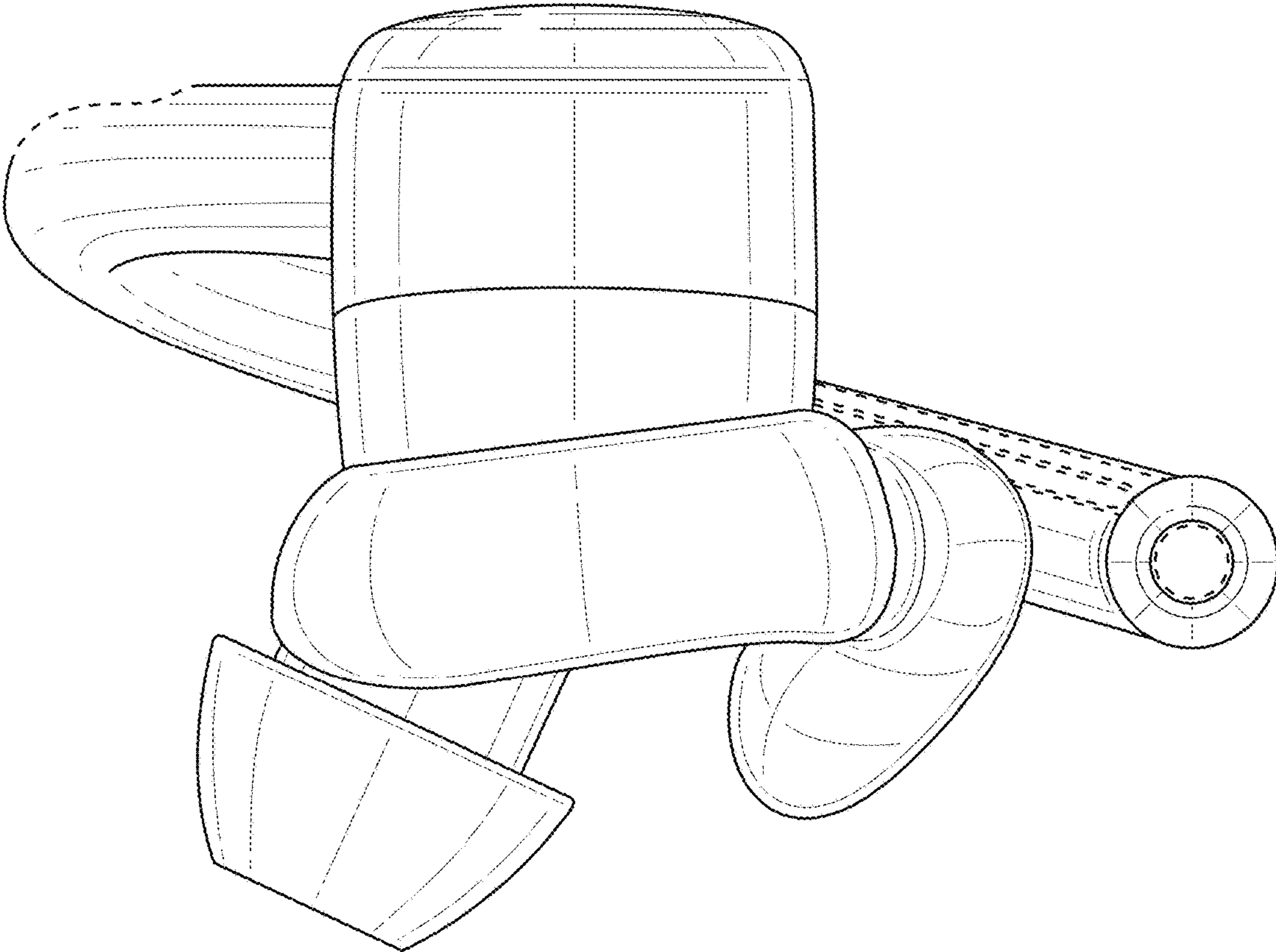


**FIG. 6**

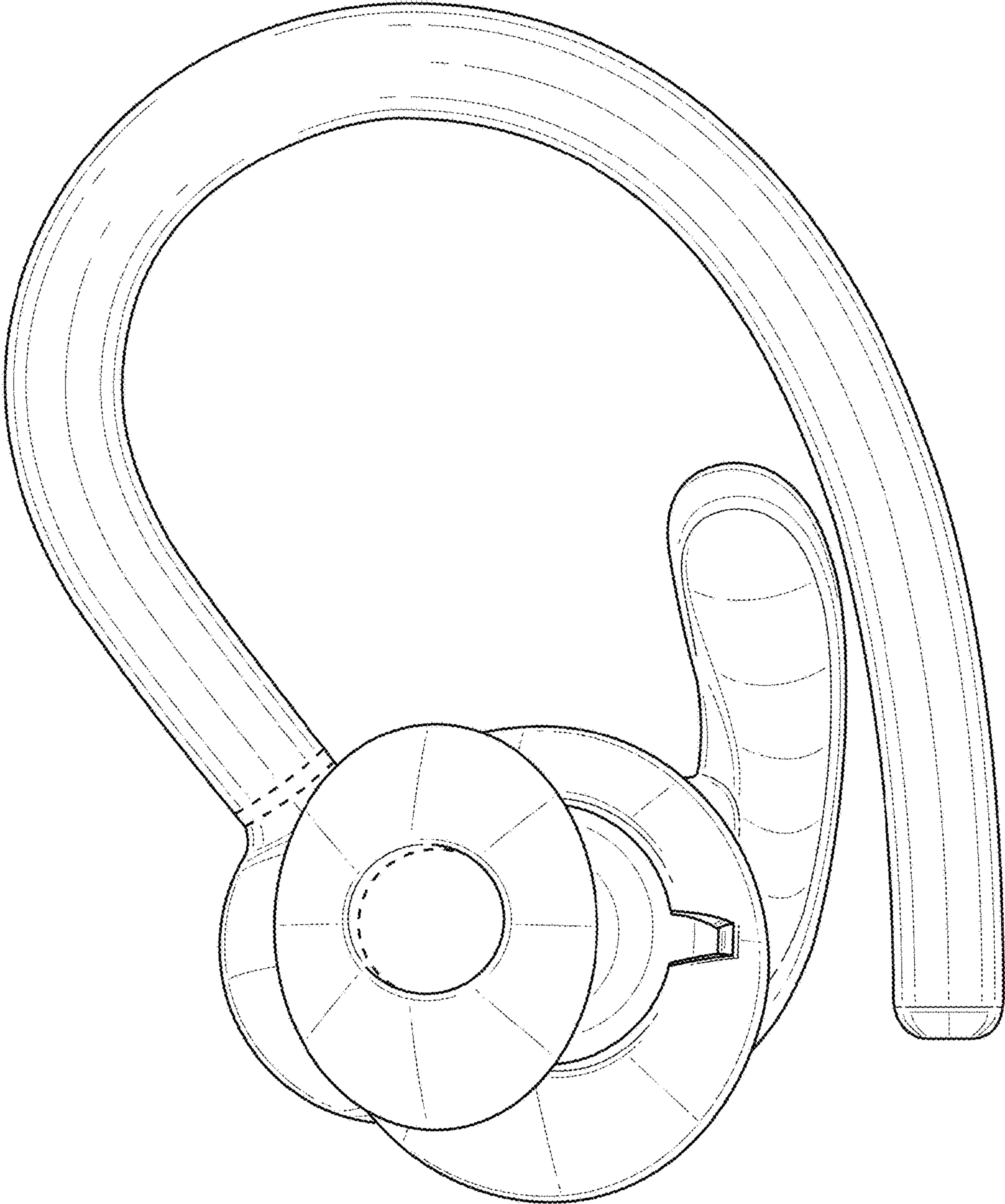




**FIG. 7**

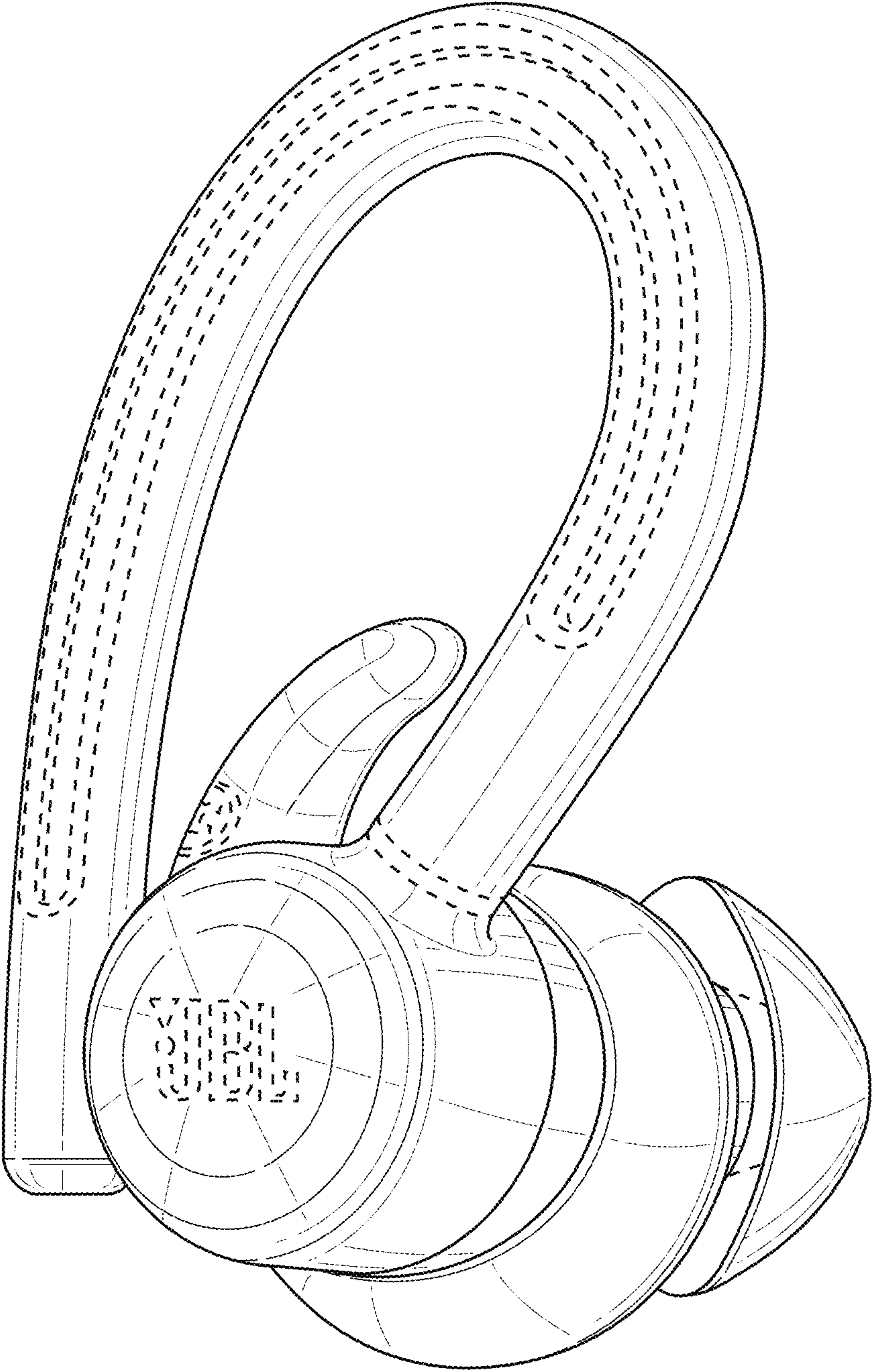


**FIG. 8**

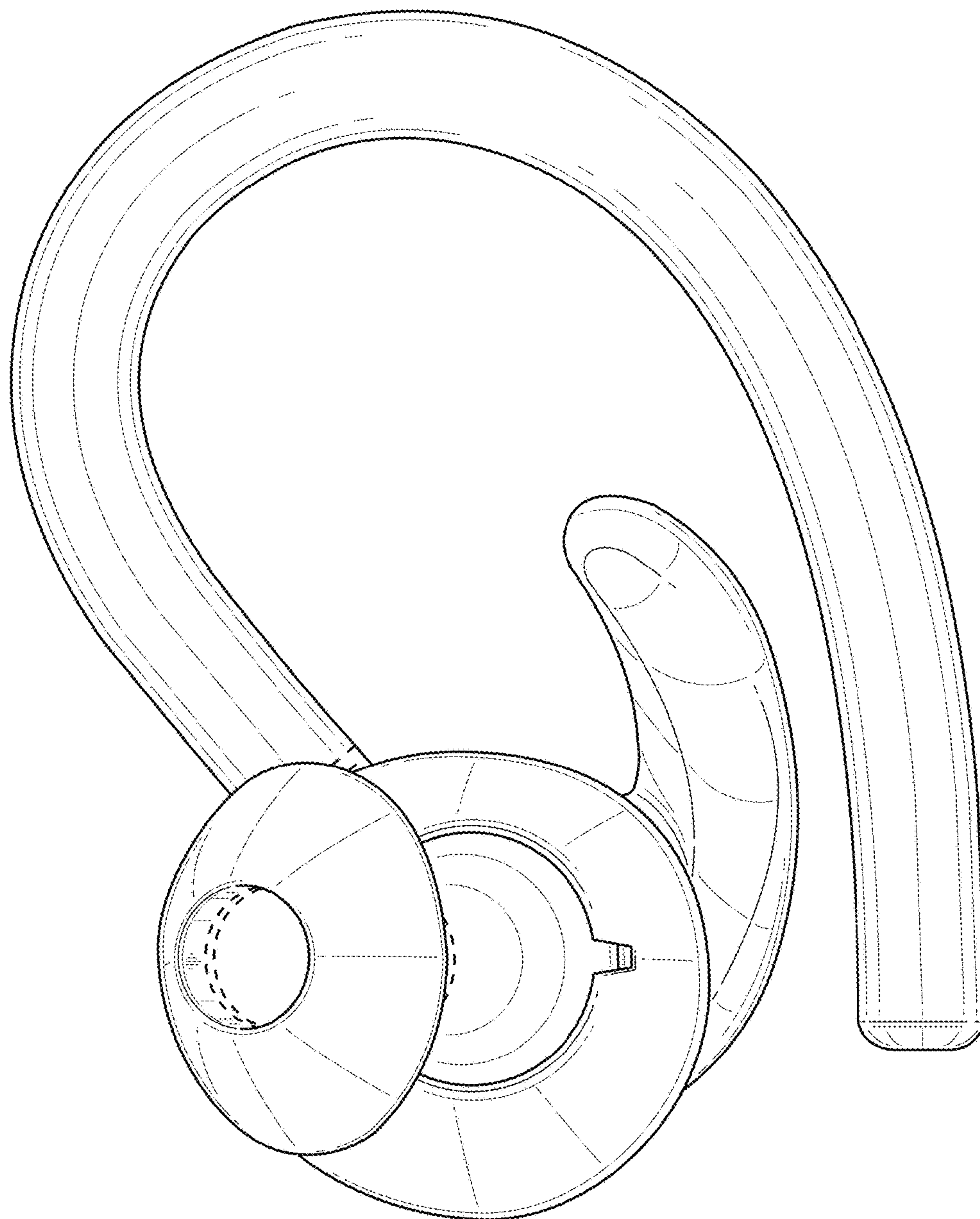


**FIG. 9**





**FIG. 10**

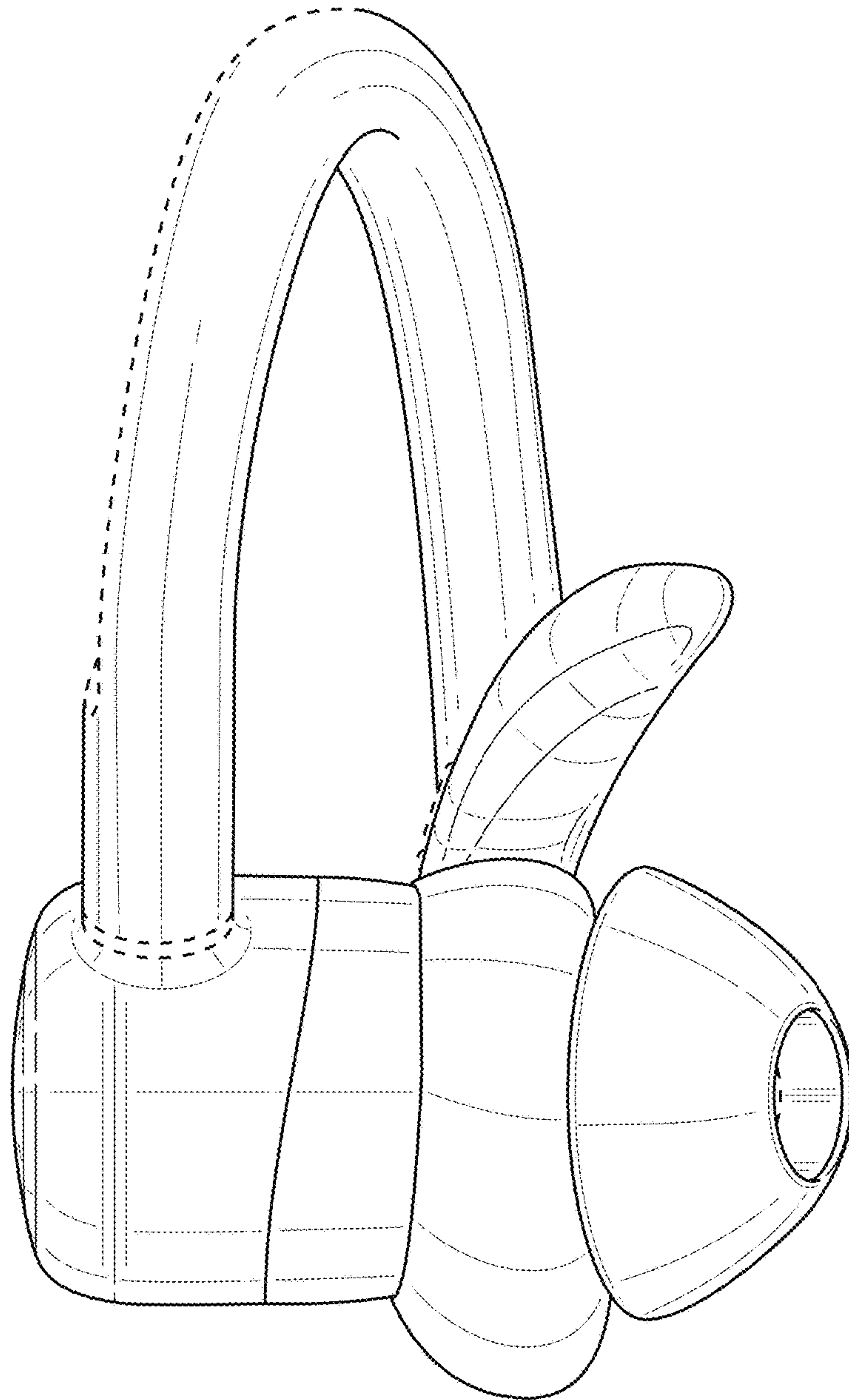


**FIG. 11**

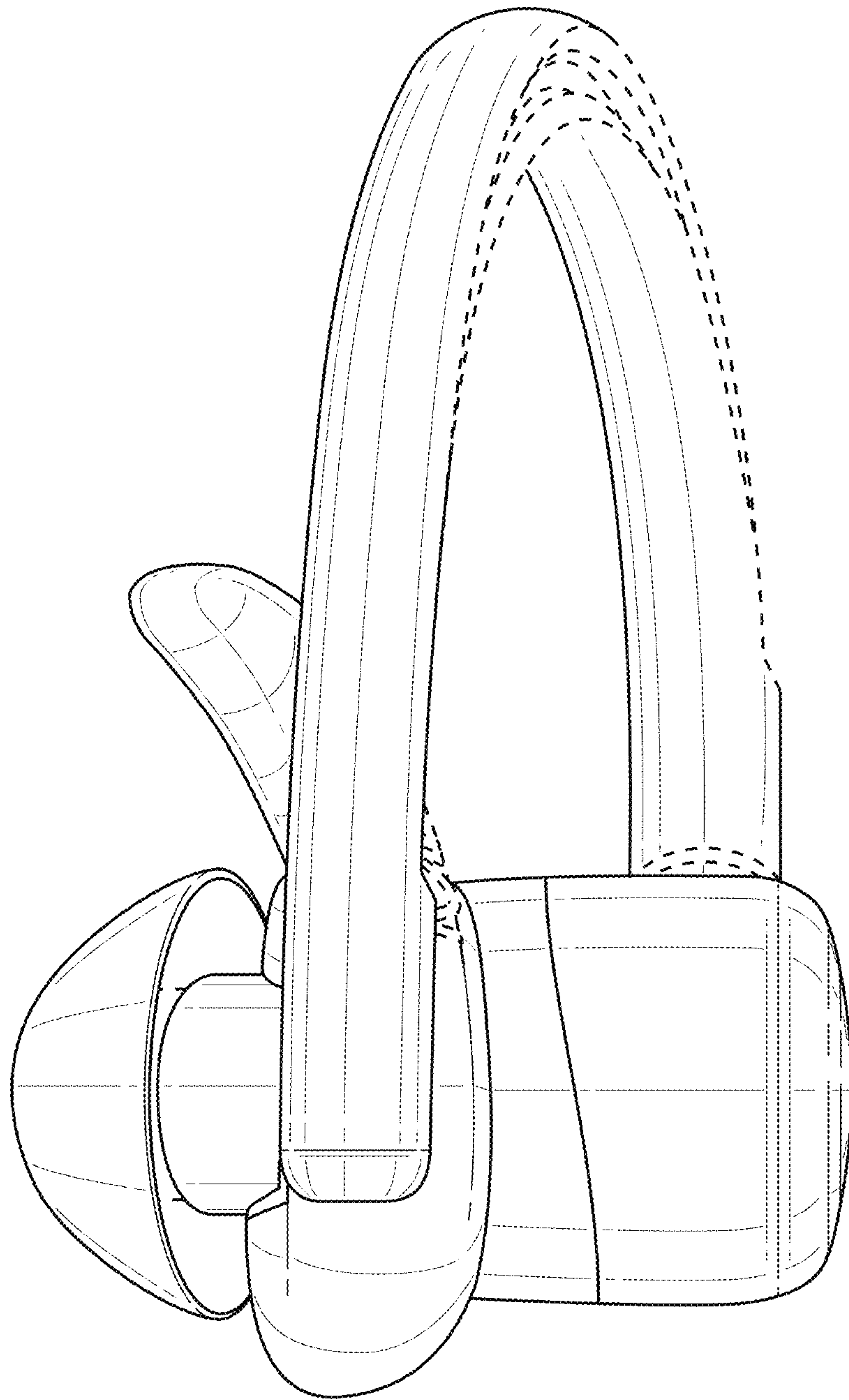


**FIG. 12**

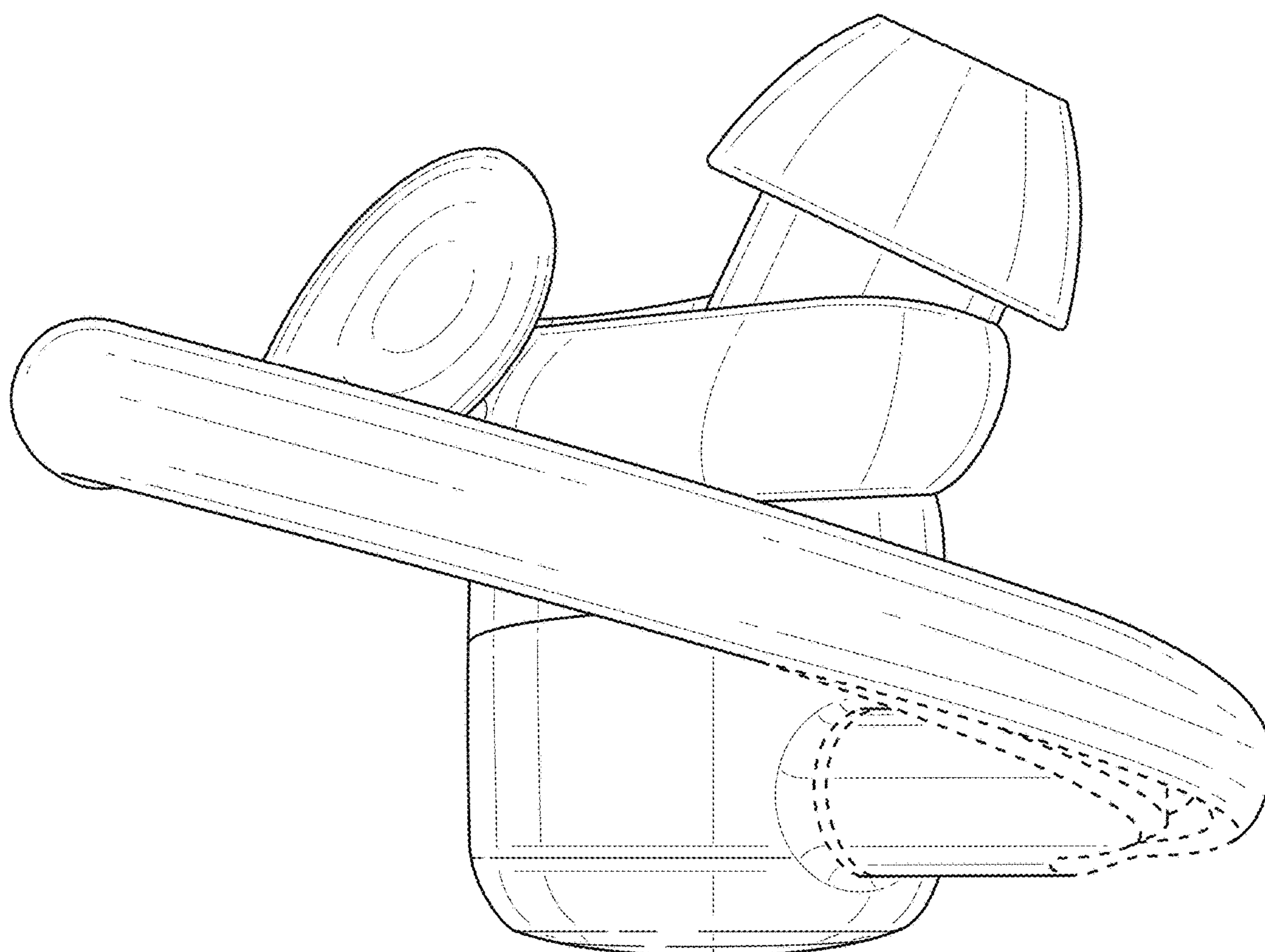




**FIG. 13**

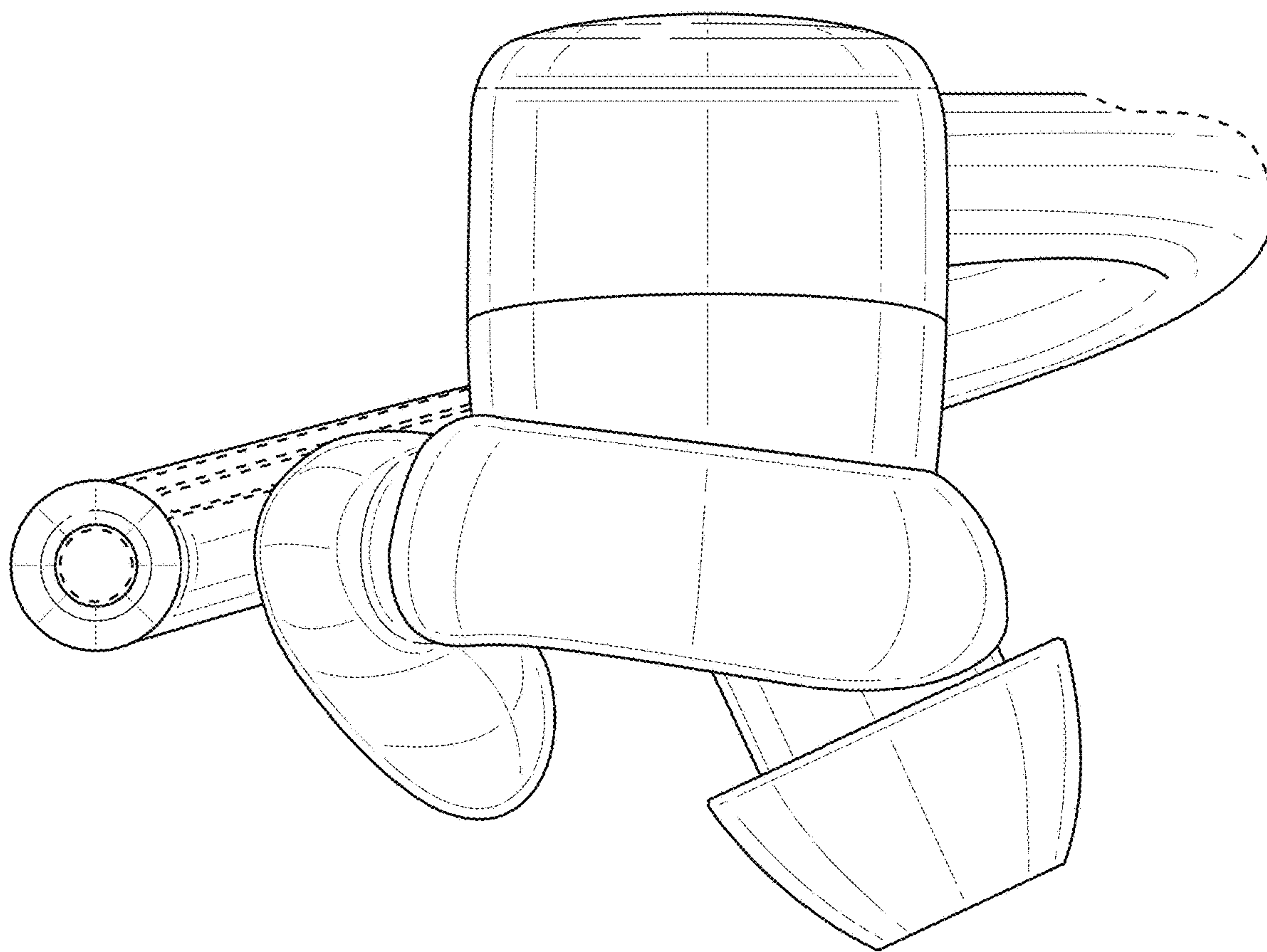


**FIG. 14**



**FIG. 15**





**FIG. 16**