

US00D803814S

(12) **United States Design Patent**
Harms

(10) **Patent No.:** **US D803,814 S**

(45) **Date of Patent:** **** Nov. 28, 2017**

(54) **DJ CONTROLLER**

(71) Applicant: **Ableton AG**, Berlin (DE)

(72) Inventor: **Oliver Harms**, Bestensee (DE)

(73) Assignee: **Ableton AG**, Berlin (DE)

(**) Term: **15 Years**

(21) Appl. No.: **29/552,301**

(22) Filed: **Jan. 21, 2016**

(30) **Foreign Application Priority Data**

Jul. 22, 2015 (EM) 001437446

(51) **LOC (10) Cl.** **14-01**

(52) **U.S. Cl.**
USPC **D14/217**

(58) **Field of Classification Search**
USPC D17/24, 1, 2, 9; D14/333, 487, 338,
D14/203.1, 217, 218, 299, 167, 496, 497,
D14/257, 258, 434, 162, 175, 188,
D14/196-198

CPC G01H 1/00; G10H 1/32; G06F 1/1626;
G06F 1/1688; G10L 19/008; G10L
19/167; H03G 3/00; H03G 3/04; H03G
3/3005; H03G 3/3089

See application file for complete search history.

(56) **References Cited**

U.S. PATENT DOCUMENTS

D218,785 S * 9/1970 Gore D18/7
D283,960 S * 5/1986 Giannotti, Jr. D6/682
4,648,828 A * 3/1987 Abe A23G 3/2015
425/131.1
D314,786 S * 2/1991 Chen D18/6
D355,923 S * 2/1995 Slater D17/1
D375,515 S * 11/1996 Takeda D14/347

D418,820 S * 1/2000 Shintani D13/164
D454,347 S * 3/2002 Chung D14/320
D475,051 S * 5/2003 Sexton D14/398
6,940,571 B2 * 9/2005 Ham G02F 1/133514
349/106
D529,493 S * 10/2006 Ogasawara D14/356
D532,829 S * 11/2006 Kawanobe D14/401
D540,396 S * 4/2007 Kawanobe D14/401
D546,333 S * 7/2007 Emmerich D14/455
D549,710 S * 8/2007 Hyneczek D13/164
D551,238 S * 9/2007 O'Neil D14/455
D588,143 S * 3/2009 O'Neil D14/455
D592,211 S * 5/2009 Ichise D14/345
D604,845 S * 11/2009 Hibi D24/107
D616,835 S * 6/2010 Felegy, Jr. D13/168
D616,836 S * 6/2010 Felegy, Jr. D13/168
7,883,735 B2 * 2/2011 Willoughby A21C 11/16
264/151

(Continued)

Primary Examiner — Sheryl Lane

Assistant Examiner — Samantha N Wood

(74) *Attorney, Agent, or Firm* — Chernoff Vilhauer LLC

(57) **CLAIM**

The new and ornamental design for a DJ controller, as shown and described.

DESCRIPTION

FIG. 1 is a top view of a DJ controller, showing my new design;

FIG. 2 is a perspective top view thereof;

FIG. 3 is an enlargement showing a portion of FIG. 2;

FIG. 4 is an enlargement showing a portion of FIG. 2;

FIG. 5 is an enlargement showing a portion of FIG. 2;

FIG. 6 is an enlargement showing a portion of FIG. 2;

FIG. 7 is an enlargement showing a portion of FIG. 2;

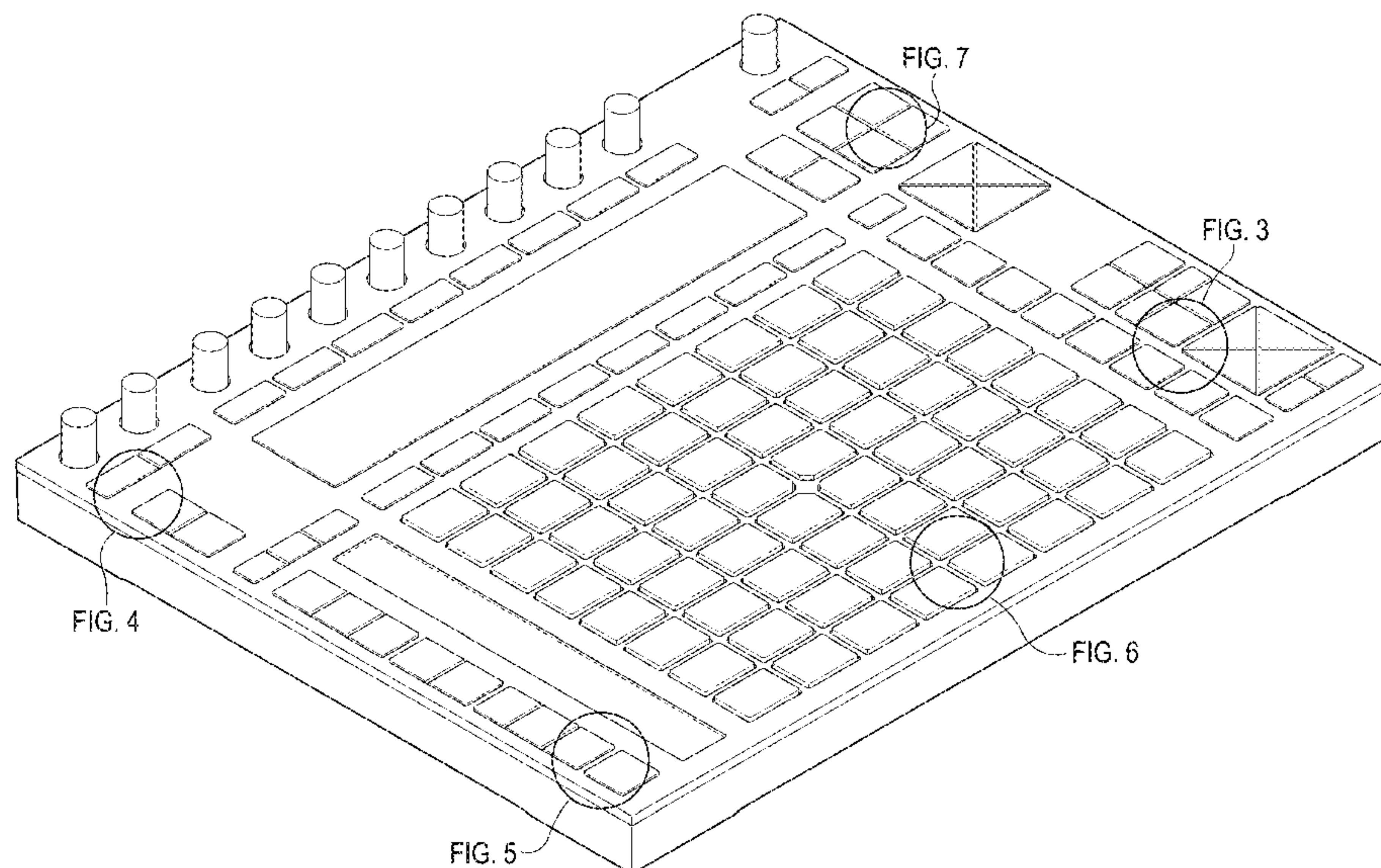
FIG. 8 is a front view thereof;

FIG. 9 is an enlargement showing a portion of FIG. 8;

FIG. 10 is an enlargement showing a portion of FIG. 8; and,

FIG. 11 is a left side view thereof.

1 Claim, 11 Drawing Sheets



(56)

References Cited

U.S. PATENT DOCUMENTS

D633,506 S *	3/2011	Jordan	D14/455
D636,353 S *	4/2011	Choi	D13/168
D649,125 S *	11/2011	Clymer	D13/174
D665,394 S *	8/2012	Duggan	D14/485
D666,625 S *	9/2012	Gilmore	D14/485
D677,454 S *	3/2013	Pizzuti	D2/951
D729,802 S *	5/2015	Pang	D14/398
9,159,307 B1 *	10/2015	Ludovici	G10H 1/0066
D752,130 S *	3/2016	Alstad	D17/20
D757,690 S *	5/2016	Lee	D13/168
D759,746 S *	6/2016	Mangano	D17/20
D761,817 S *	7/2016	Yang	D14/485
2014/0076126 A1 *	3/2014	Terry	G10H 1/34 84/609

* cited by examiner

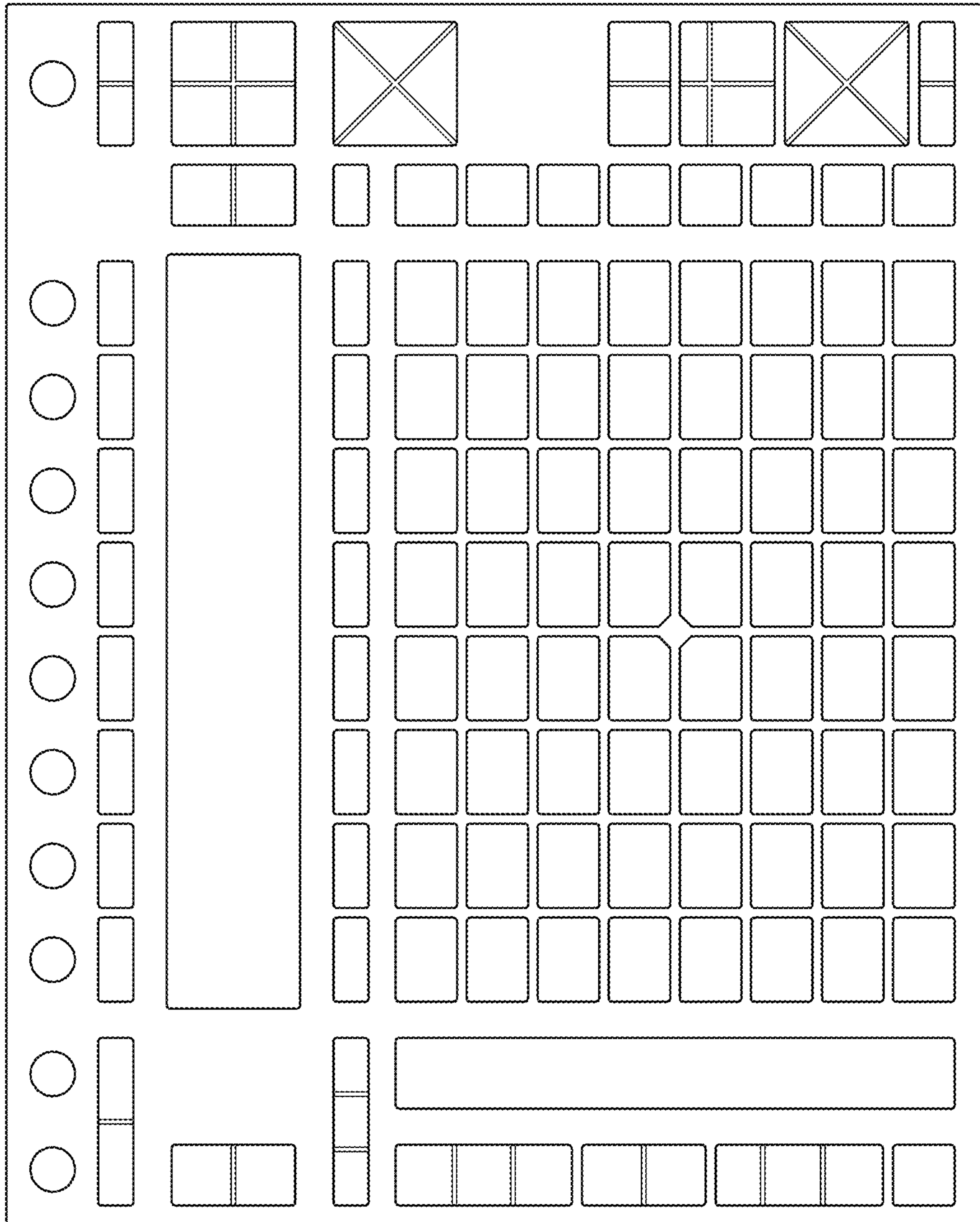


FIG. 1

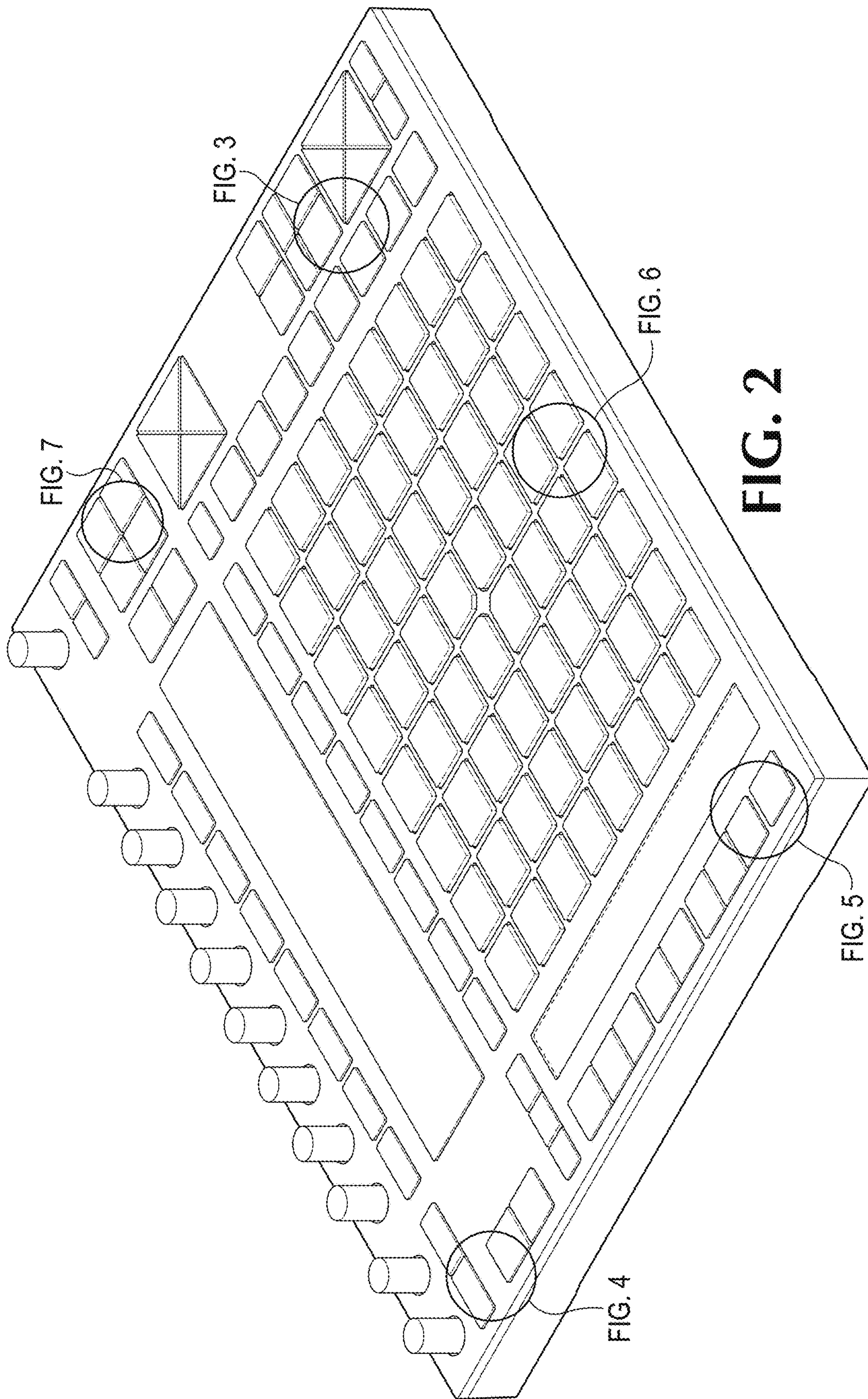


FIG. 2

FIG. 3

FIG. 6

FIG. 7

FIG. 5

FIG. 4

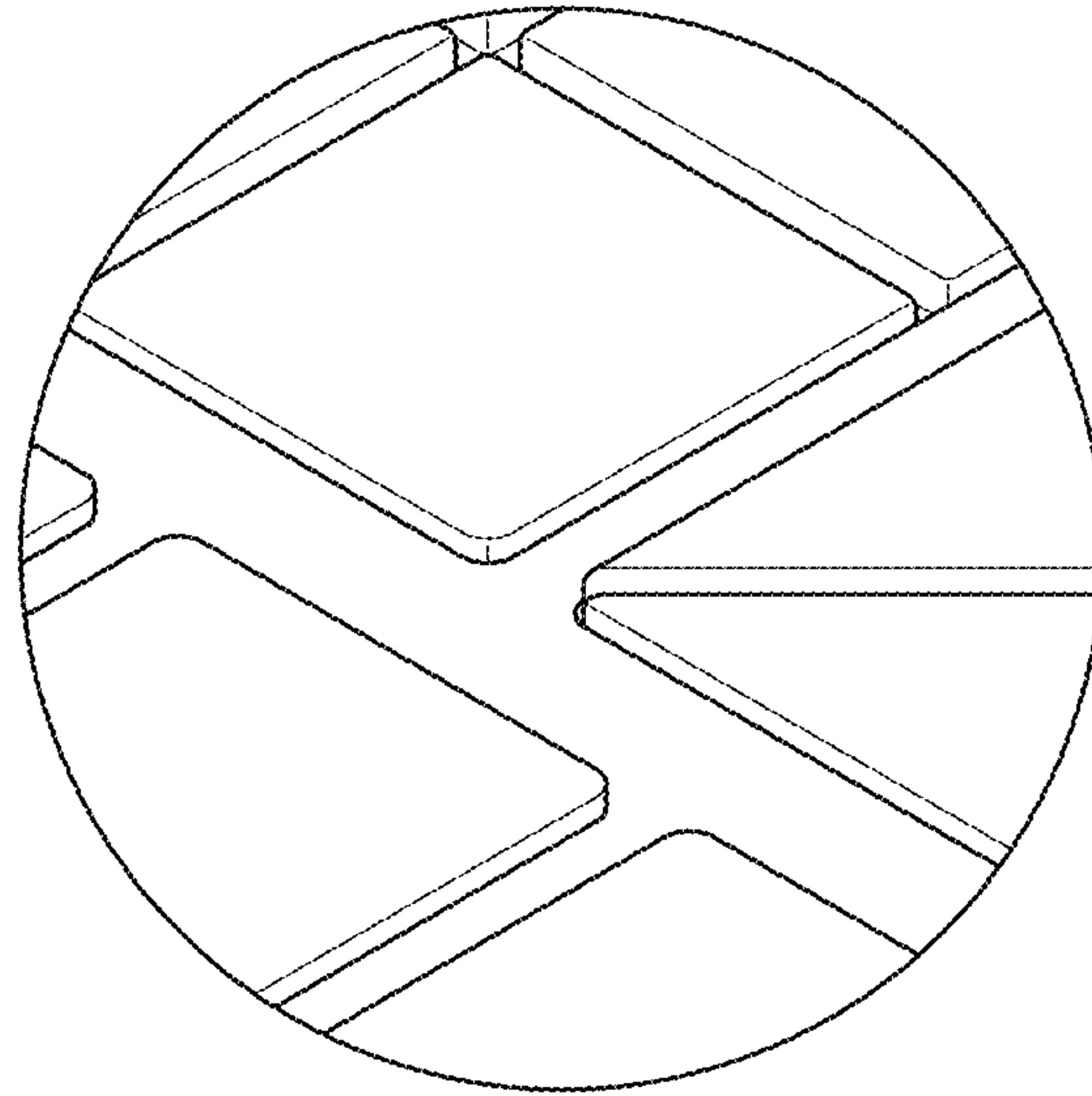


FIG. 3

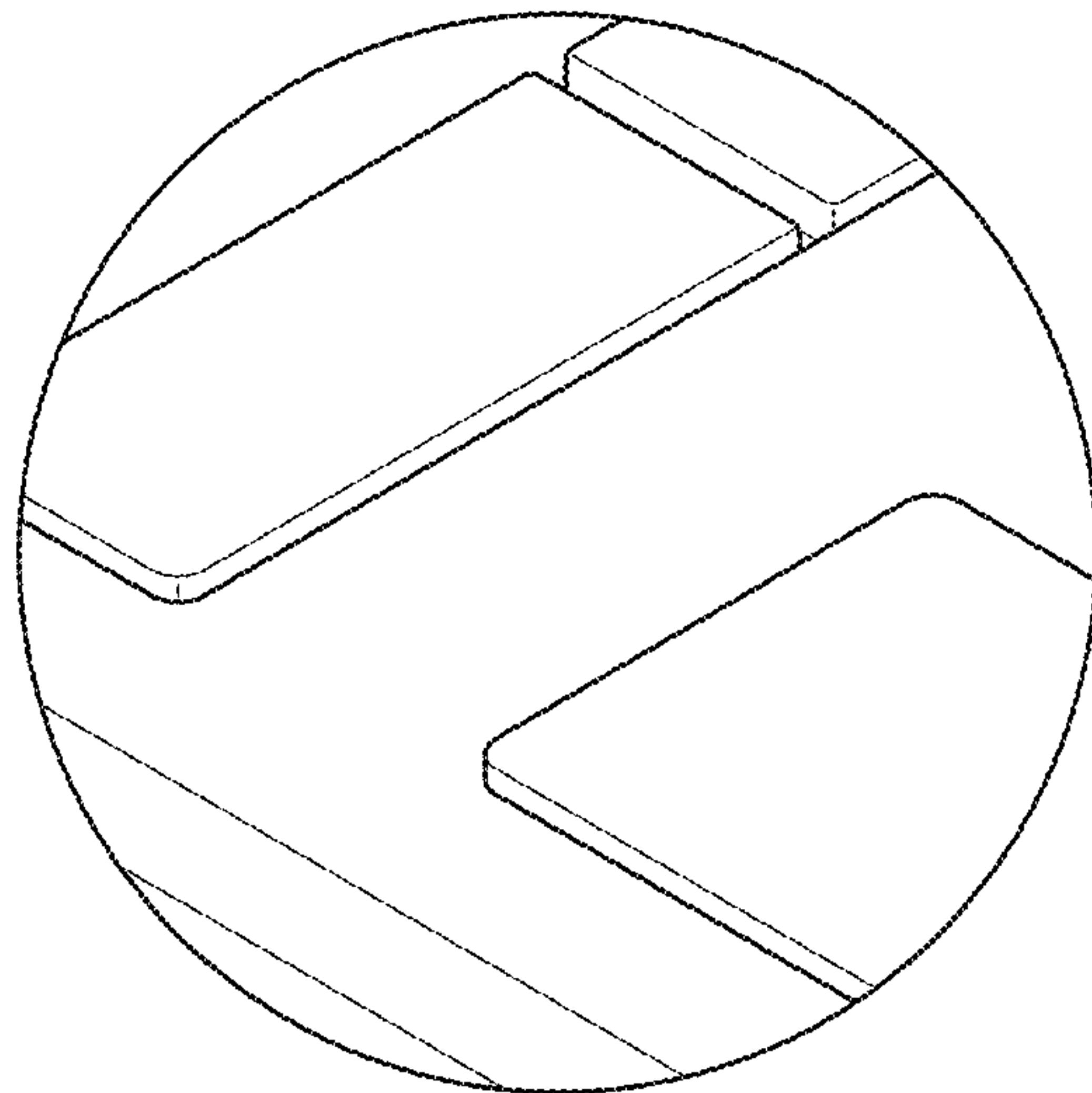


FIG. 4

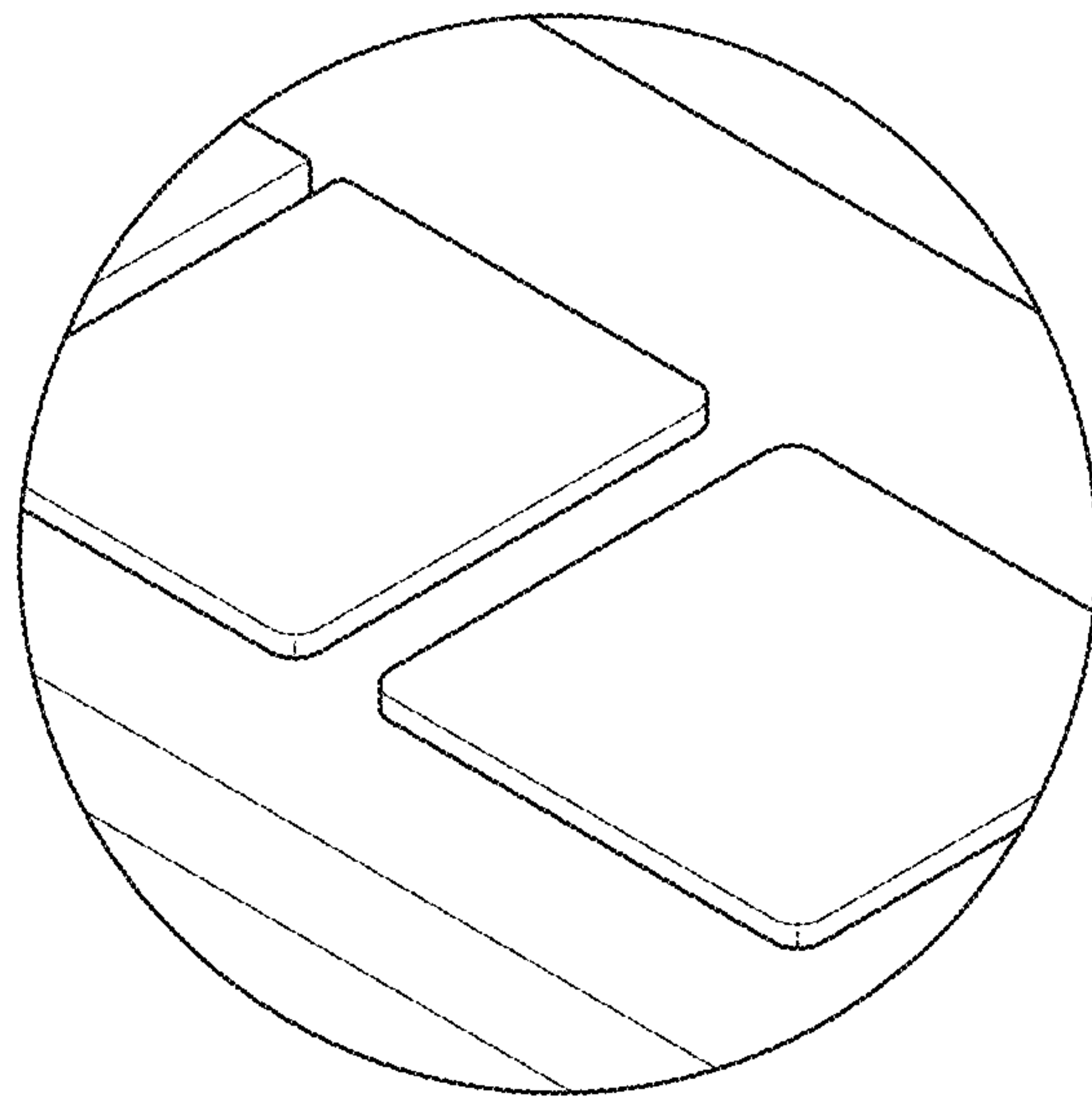


FIG. 5

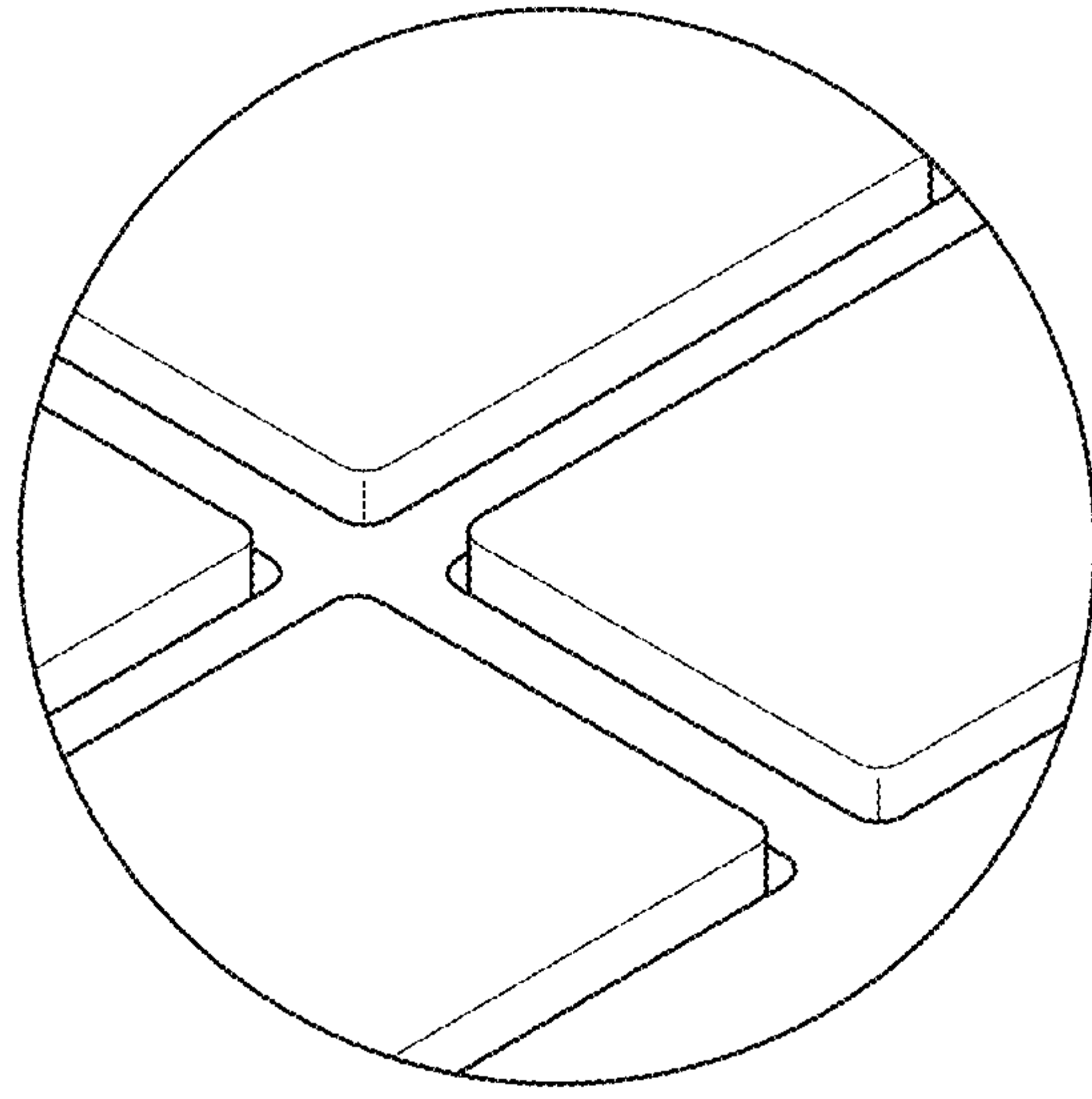


FIG. 6

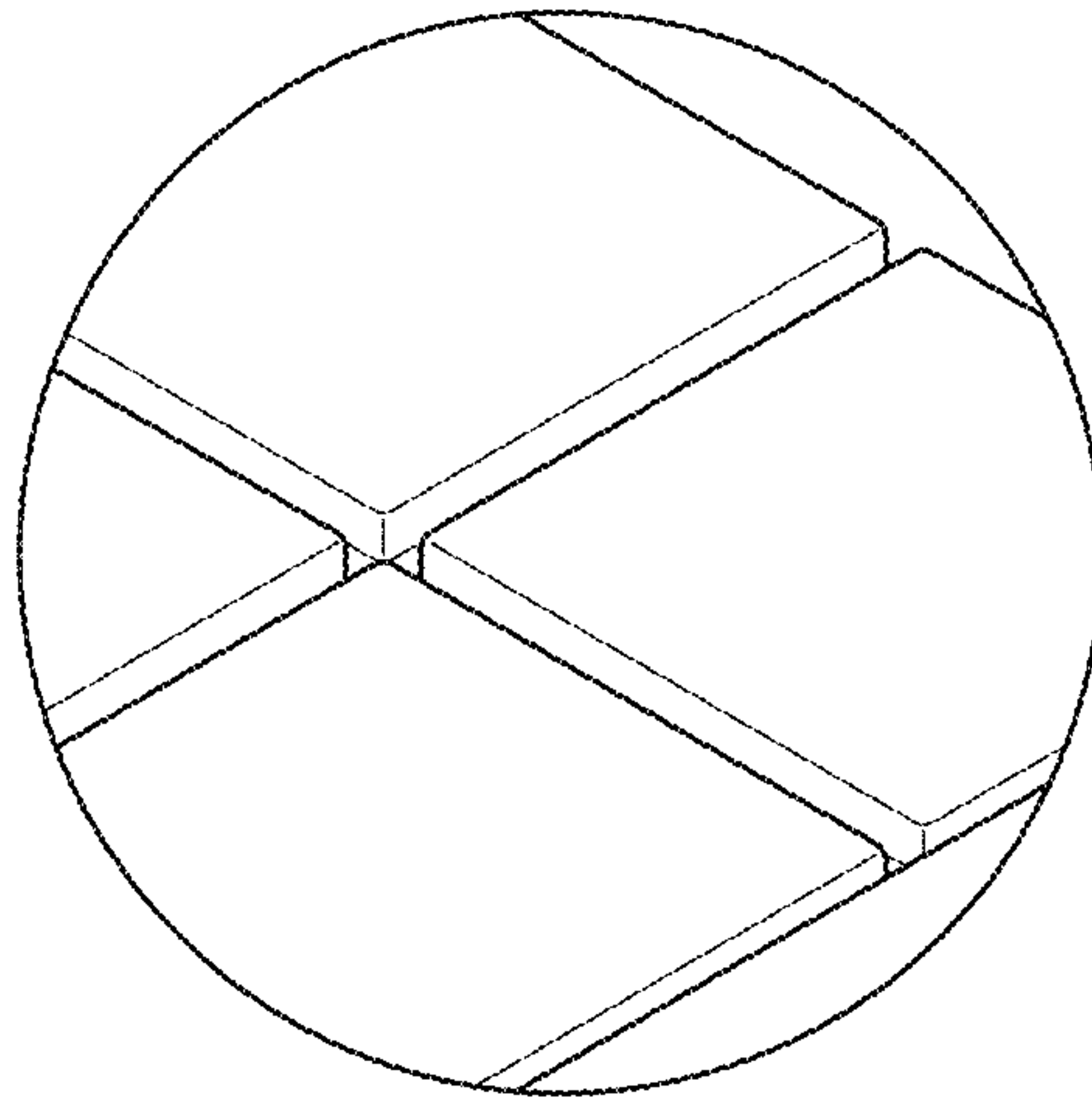


FIG. 7

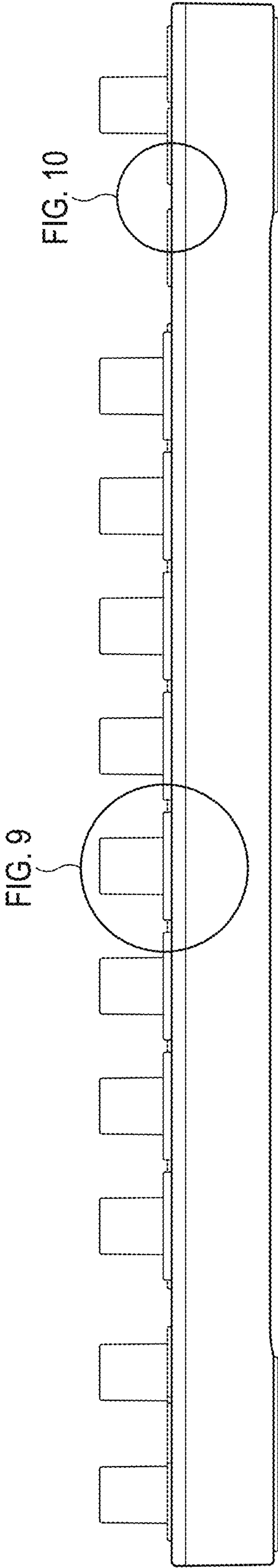


FIG. 8

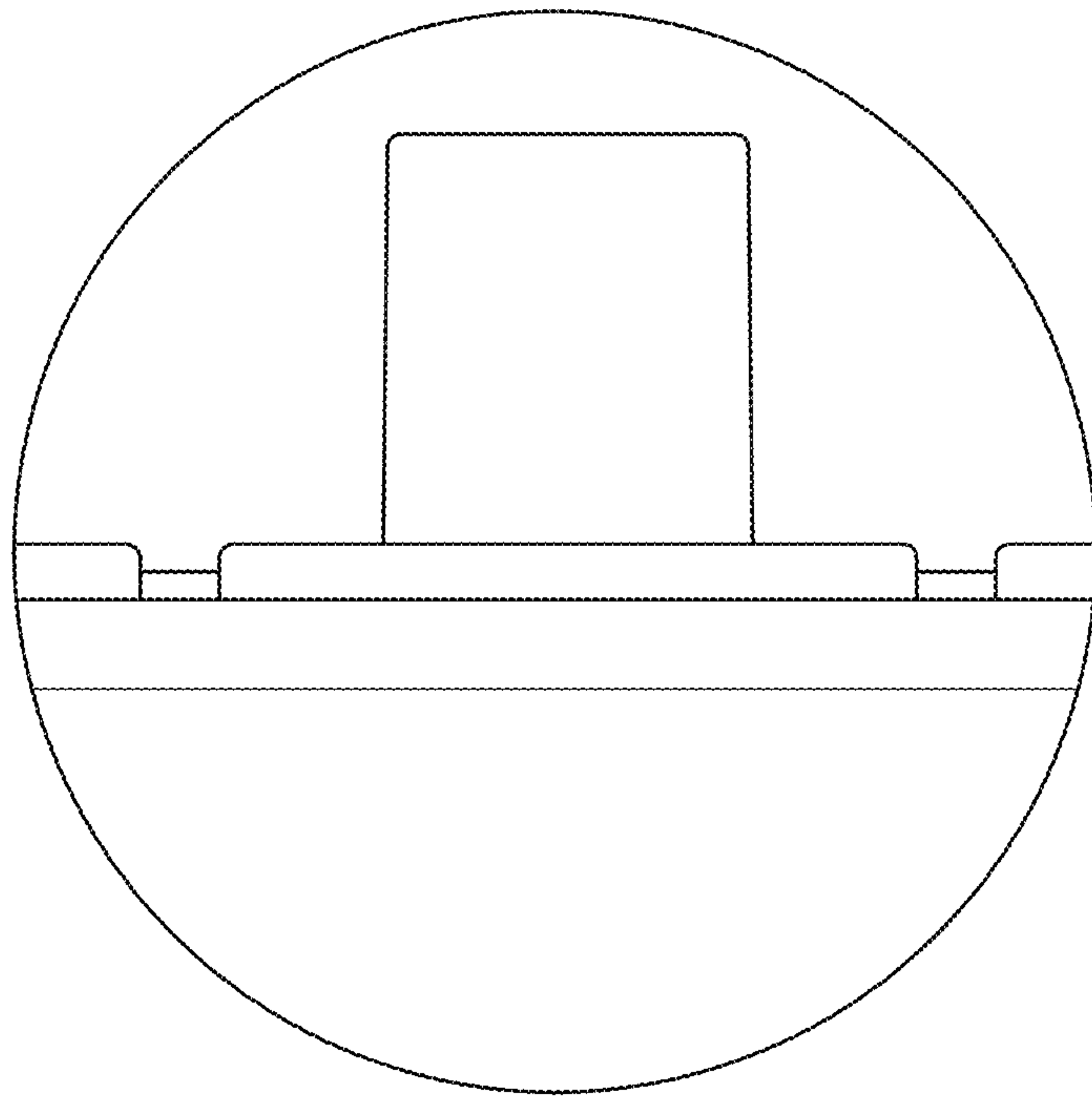


FIG. 9

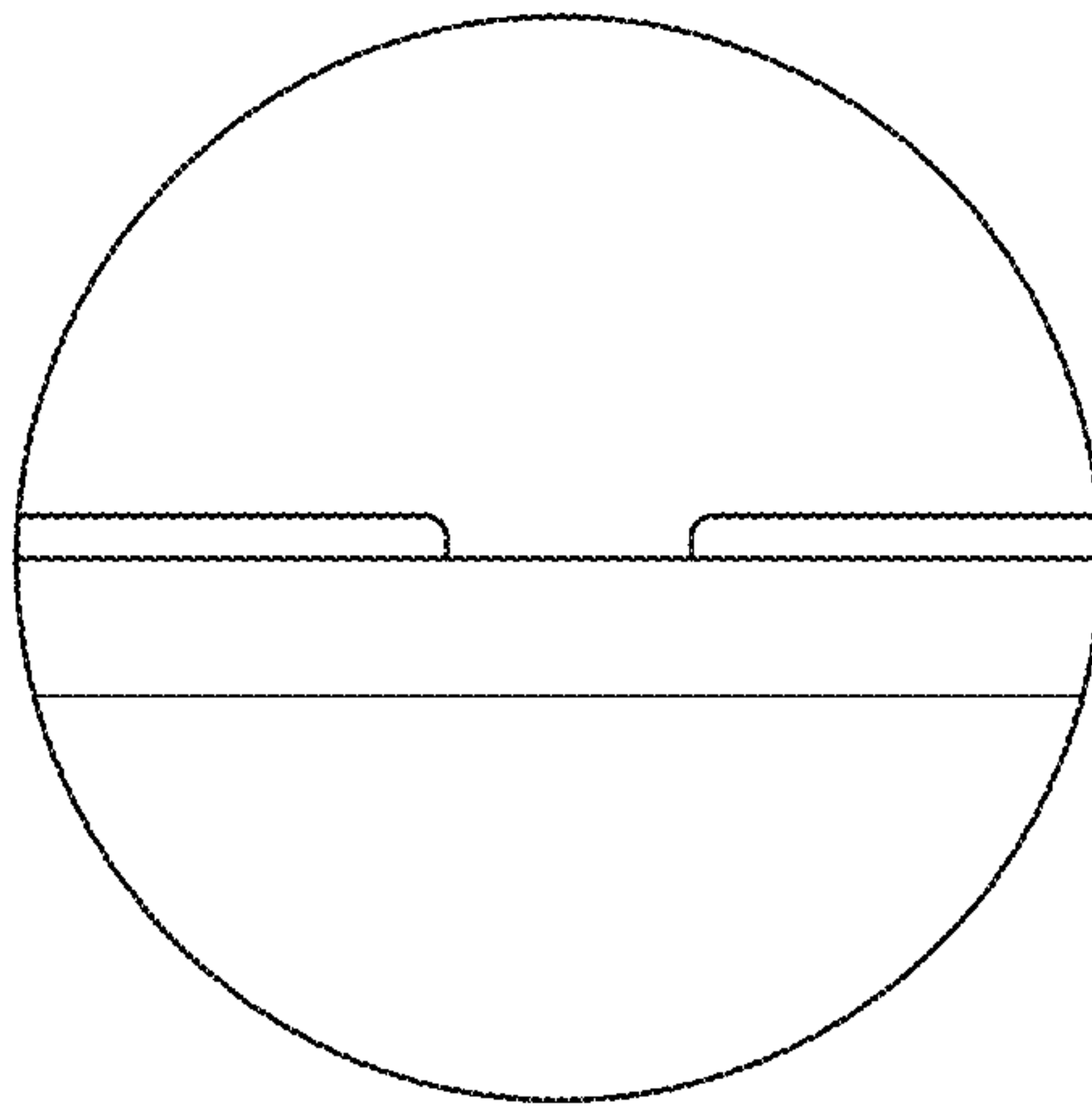


FIG. 10

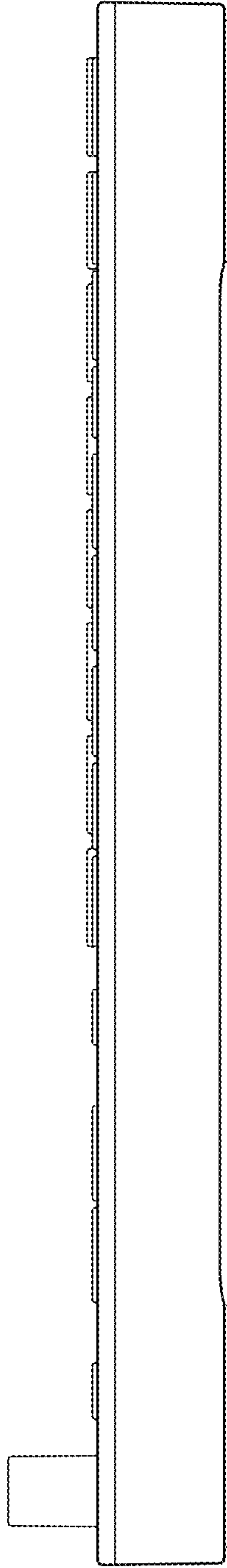


FIG. 11