



US00D803809S

(12) **United States Design Patent** (10) **Patent No.:** **US D803,809 S**
Pietschmann et al. (45) **Date of Patent:** **** Nov. 28, 2017**

(54) **SPEAKER SYSTEM**

(71) Applicant: **ADAM HALL GMBH**, Neu-Anspach (DE)

(72) Inventors: **Alexander Pietschmann**, Neu-Anspach (DE); **Francesco Spagnolo**, Neu-Anspach (DE)

(73) Assignee: **Adam Hall GmbH**, Neu-Anspach (DE)

(**) Term: **15 Years**

(21) Appl. No.: **29/536,697**

(22) Filed: **Aug. 19, 2015**

(30) **Foreign Application Priority Data**

Feb. 19, 2015	(EM)	002637124-0001
Feb. 19, 2015	(EM)	002637124-0002
Feb. 19, 2015	(EM)	002637124-0003
Feb. 19, 2015	(EM)	002637124-0004
Feb. 19, 2015	(EM)	002637124-0005
Feb. 19, 2015	(EM)	002637124-0006
Feb. 19, 2015	(EM)	002637124-0007
Feb. 19, 2015	(EM)	002637124-0008
Feb. 19, 2015	(EM)	002637124-0009
Feb. 19, 2015	(EM)	002637124-0010

(Continued)

(51) **LOC (10) Cl.** **14-03**

(52) **U.S. Cl.**
USPC **D14/214**

(58) **Field of Classification Search**
USPC **D14/167, 168, 170-172, 188, 194-196, D14/204, 207, 209.1, 210-216, 219, 221,**

(Continued)

(56) **References Cited**

U.S. PATENT DOCUMENTS

5,996,728 A 12/1999 Stark
7,261,180 B1 8/2007 Faranda et al.

(Continued)

FOREIGN PATENT DOCUMENTS

DE 19524123 2/1997
DE 20320156 4/2004

(Continued)

Primary Examiner — Keli L Hill

(74) *Attorney, Agent, or Firm* — Sheridan Ross PC

(57) **CLAIM**

The ornamental design for a speaker system, as shown and described.

DESCRIPTION

FIG. 1 is a top, front perspective view of a speaker system showing the new design;

FIG. 2 is a right perspective view of a speaker portion thereof, the left perspective view being a mirror image thereto;

FIG. 3 is a top plan view of the speaker portion of FIG. 2; FIG. 4 is a front elevation view of the speaker portion of FIG. 2;

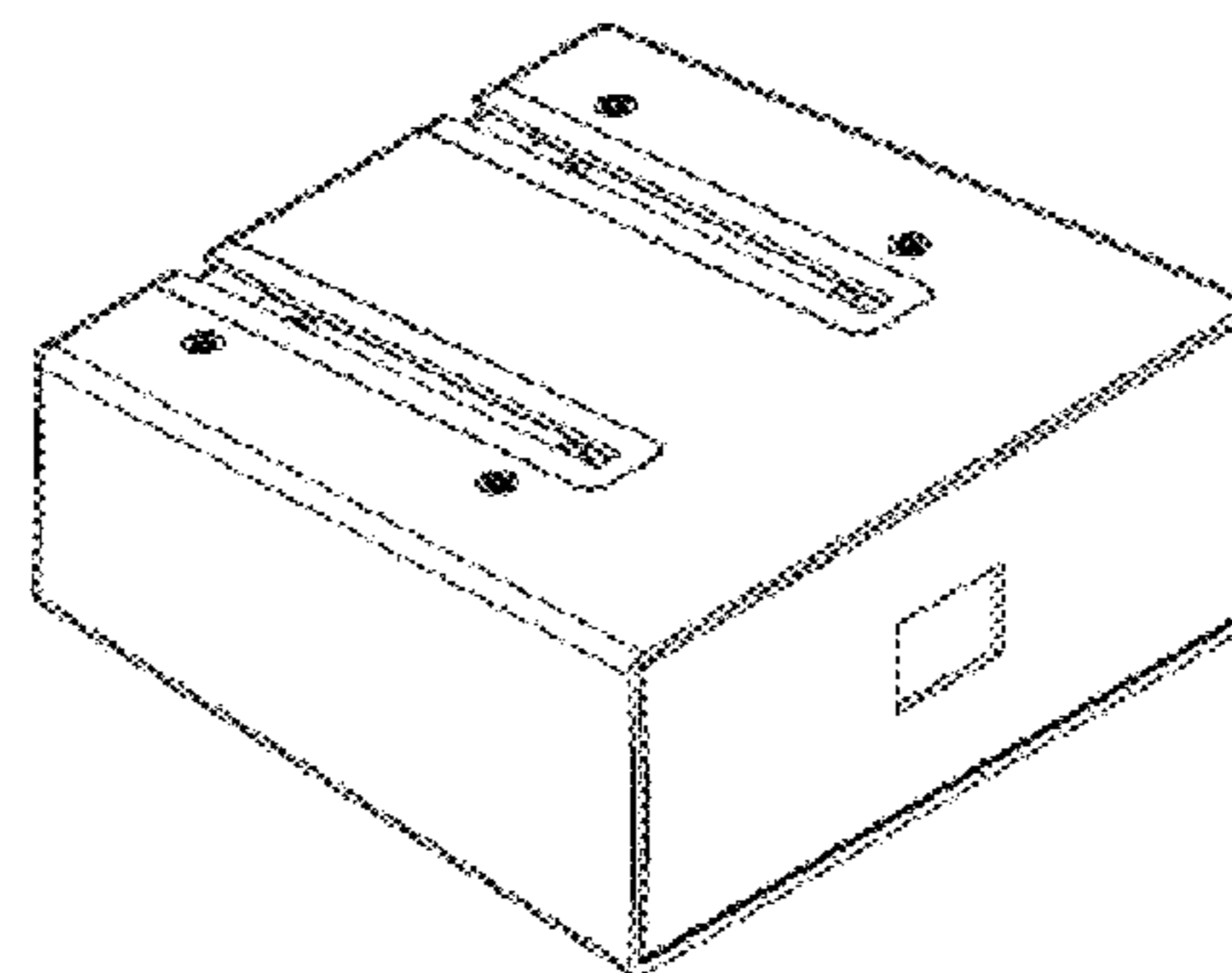
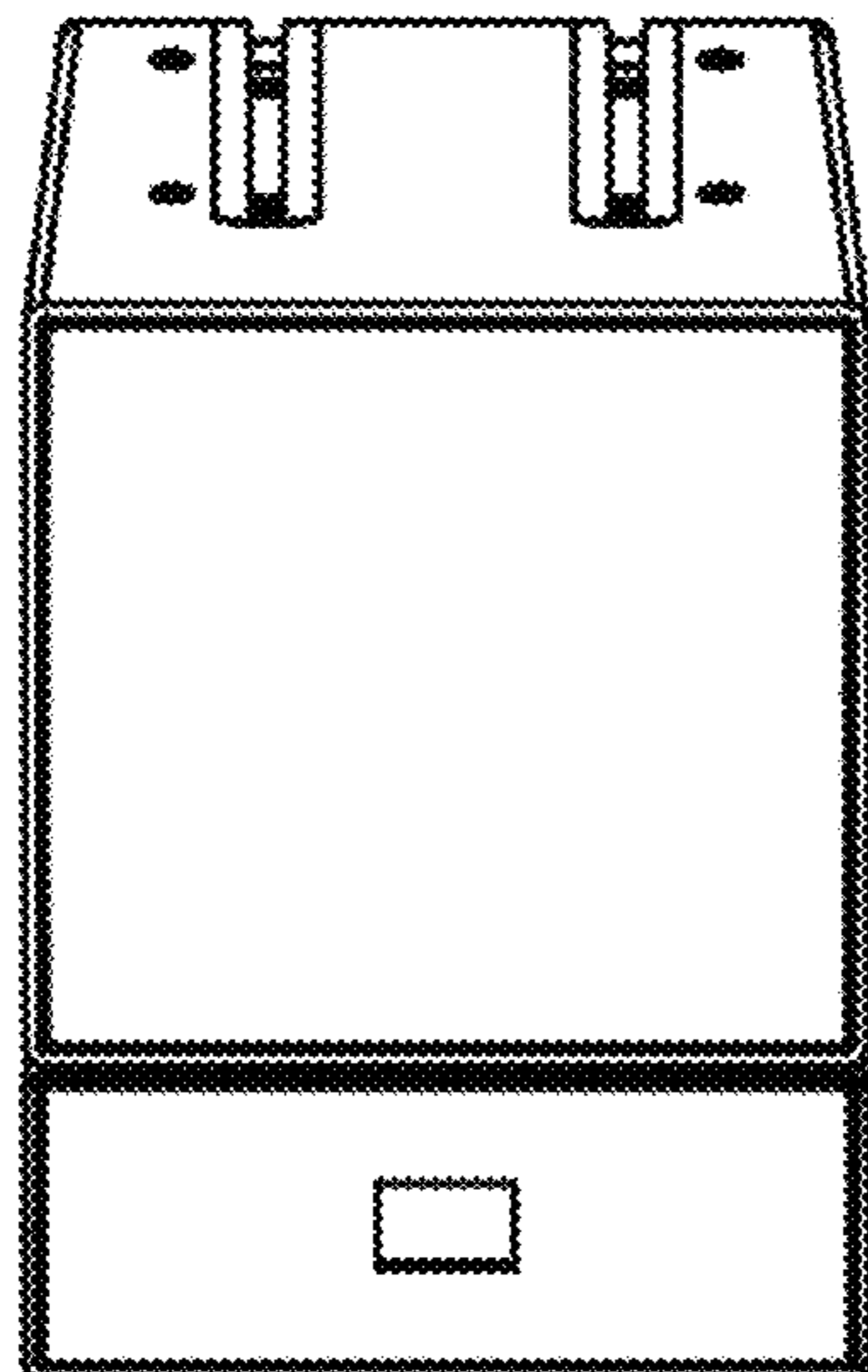
FIG. 5 is a right side elevation view of the speaker portion of FIG. 2, the left elevation view being a mirror image thereto;

FIG. 6 is a left perspective view of a speaker portion of the speaker system, the right perspective view being a mirror image thereto;

FIG. 7 is a top plan view of the speaker portion of FIG. 6; FIG. 8 is a front elevation view of the speaker portion of FIG. 6; and,

FIG. 9 is a left elevation view of the portion of FIG. 6, the right elevation view being a mirror image thereto.

1 Claim, 5 Drawing Sheets



(30) Foreign Application Priority Data

Feb. 19, 2015 (EM) 002637124-0011
 Feb. 19, 2015 (EM) 002637124-0012
 Feb. 19, 2015 (EM) 002637124-0013

(58) Field of Classification Search

USPC D14/222, 224, 239, 496; 181/143, 144,
 181/147, 148, 150, 153, 157, 198, 199;
 381/300-303, 306, 332, 333, 336, 345,
 381/361-364, 386-388; 369/6-12
 CPC B60R 11/0217; G06F 1/1688; G10K 9/22;
 G10K 11/004; H03F 1/327; H04M 1/03;
 H04M 1/035; H04N 5/642; H04N
 21/4852; H04R 1/02; H04R 1/06; H04R
 1/021; H04R 1/025; H04R 1/026; H04R
 1/028; H04R 1/105; H04R 1/323; H04R
 1/403; H04R 1/2803; H04R 1/2834;
 H04R 5/02; H04R 7/20; H04R 9/06;
 H04R 9/025; H04R 2201/021; H04R
 2400/00; H04R 2201/07; H04R 2499/11;
 H04R 2499/13; H04R 2499/15; H04S
 3/00; H04S 7/30

See application file for complete search history.

(56) References Cited

U.S. PATENT DOCUMENTS

D654,474	S *	2/2012	Hawkins	D14/214
D676,827	S *	2/2013	Desrosiers	D14/204
D692,864	S *	11/2013	Givre	D14/214
D705,754	S *	5/2014	Boudreau	D14/214
D712,878	S *	9/2014	Azumi	D14/204
D727,292	S *	4/2015	Anthony	D14/214
D727,874	S *	4/2015	Christner	D14/210
D754,628	S *	4/2016	Baird	D14/204
D762,618	S *	8/2016	Lawrence	D14/214
D764,438	S *	8/2016	Pobeda	D14/214
D776,638	S *	1/2017	Pietschmann	D14/209.1
2016/0192046	A1 *	6/2016	Pietschmann	H04R 1/026 381/336

FOREIGN PATENT DOCUMENTS

FR	2520573	7/1983
WO	WO 92/16081	9/1992

* cited by examiner

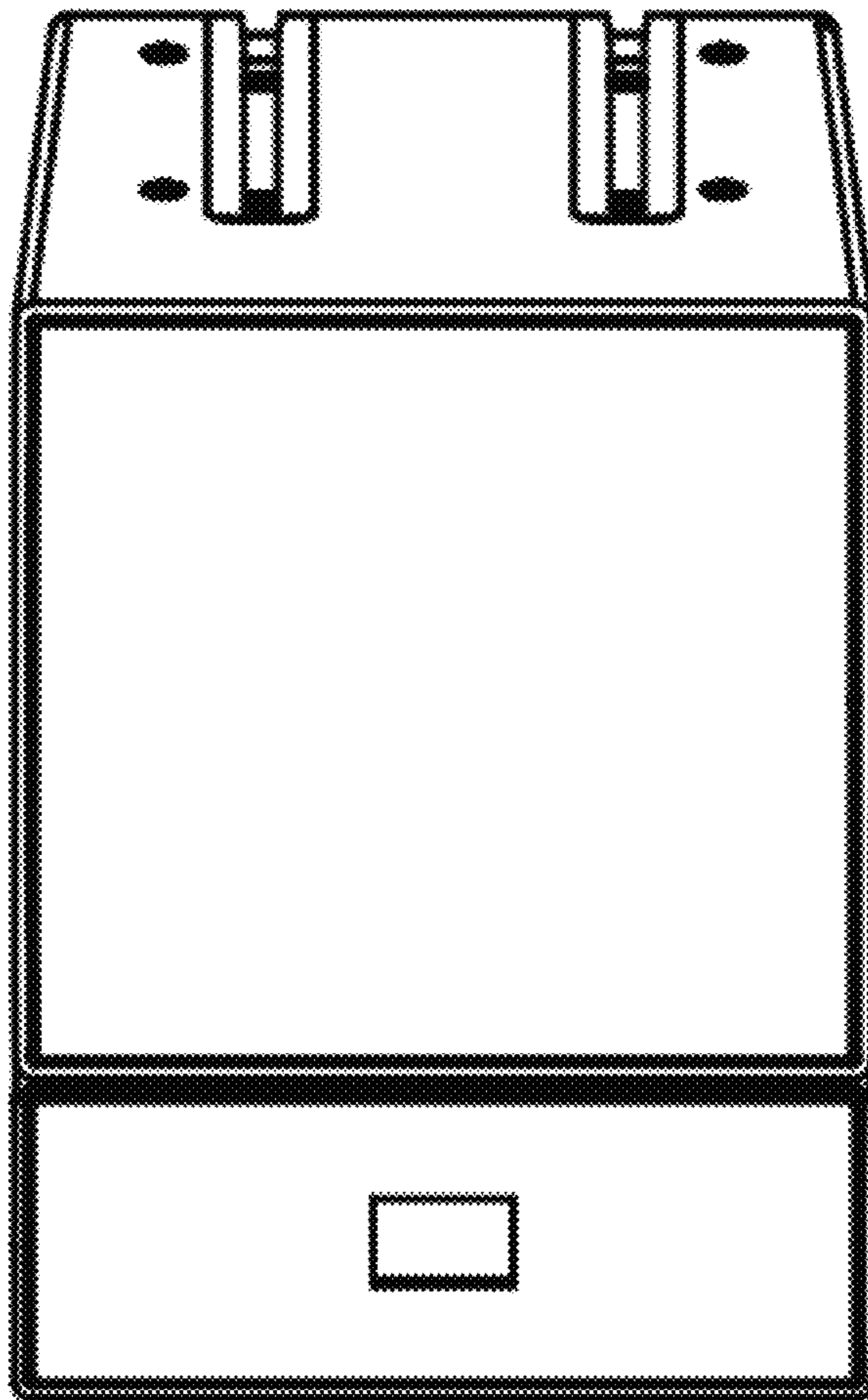


FIG. 1

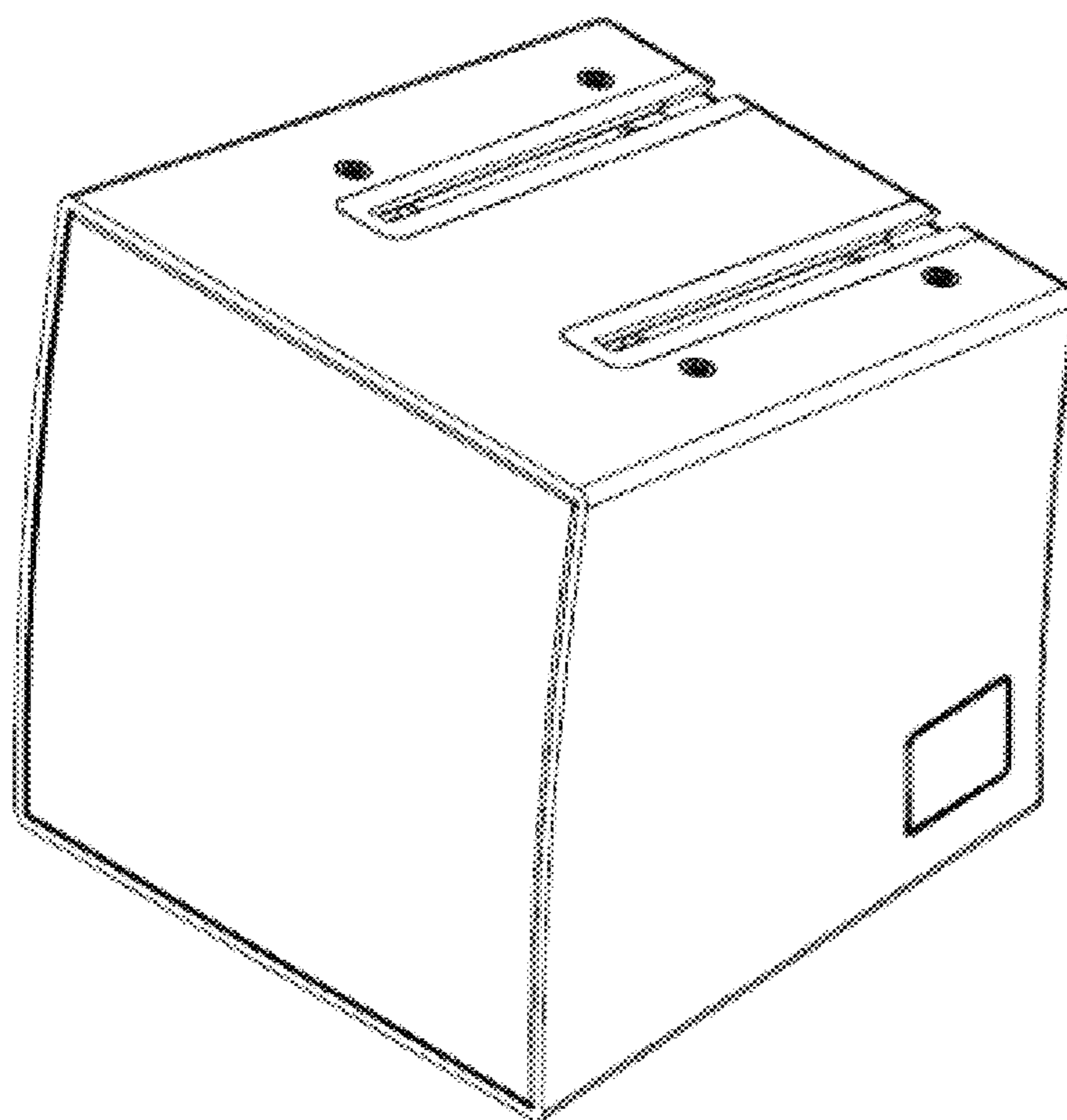


FIG. 2

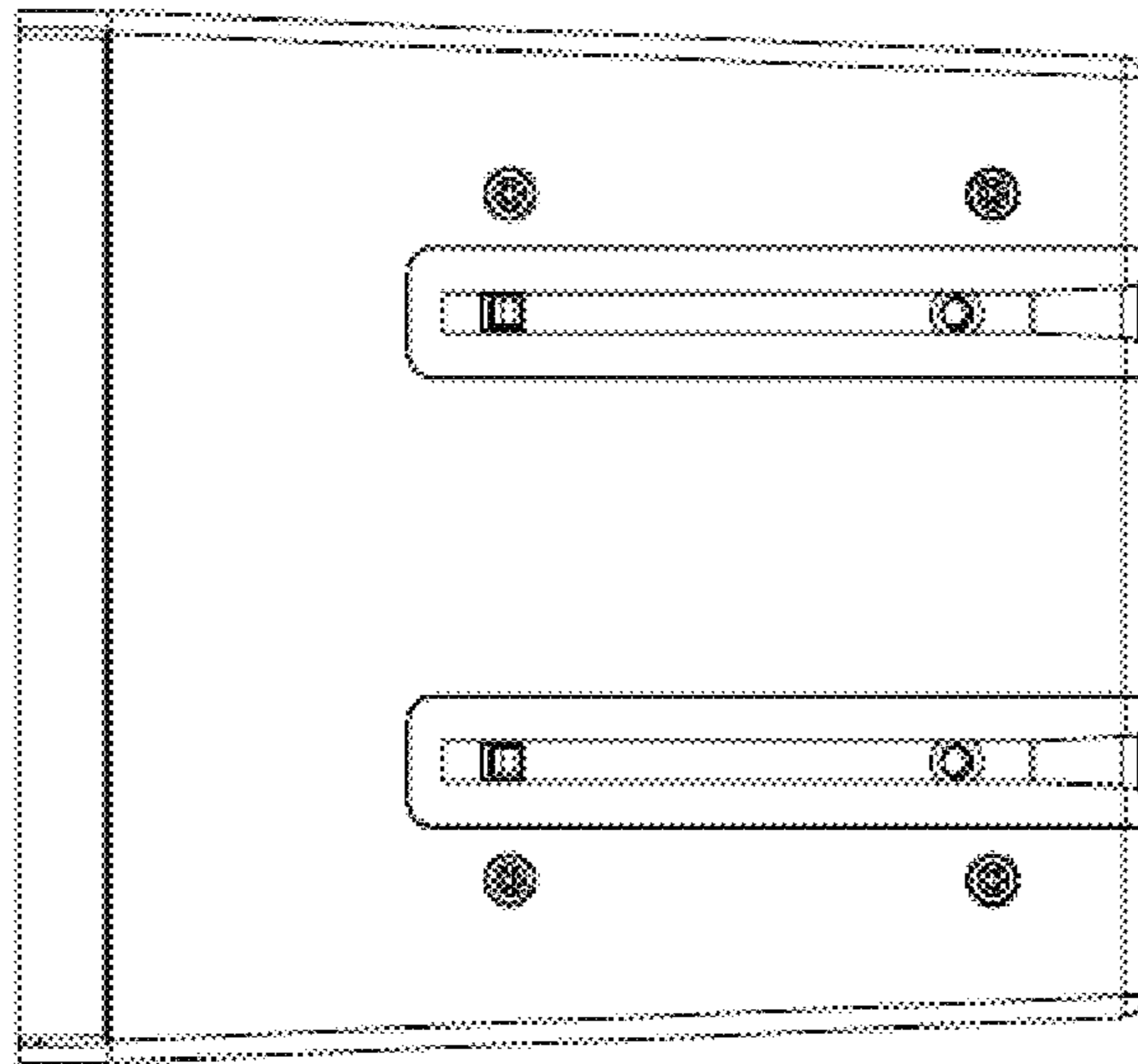


FIG. 3

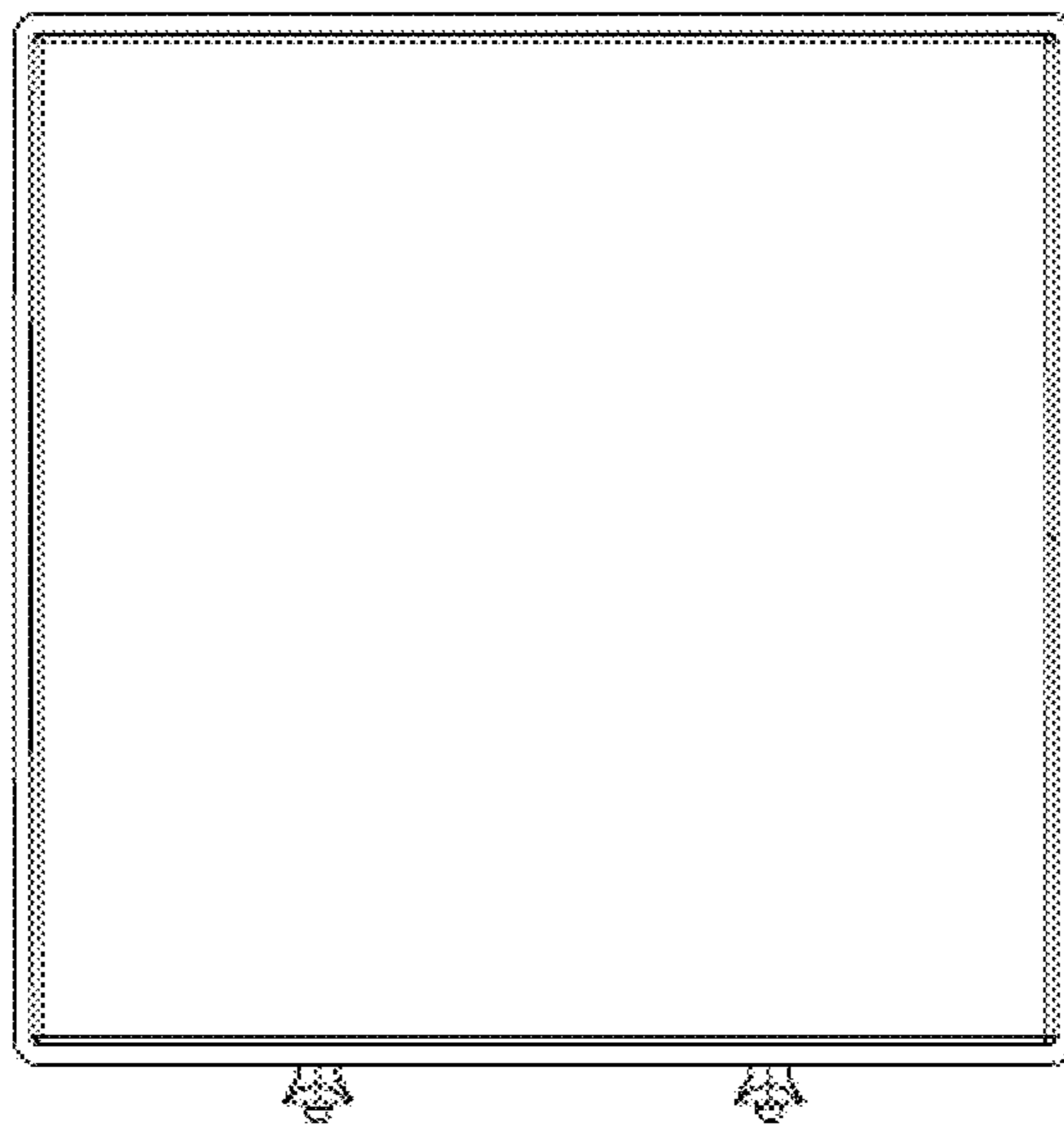


FIG. 4

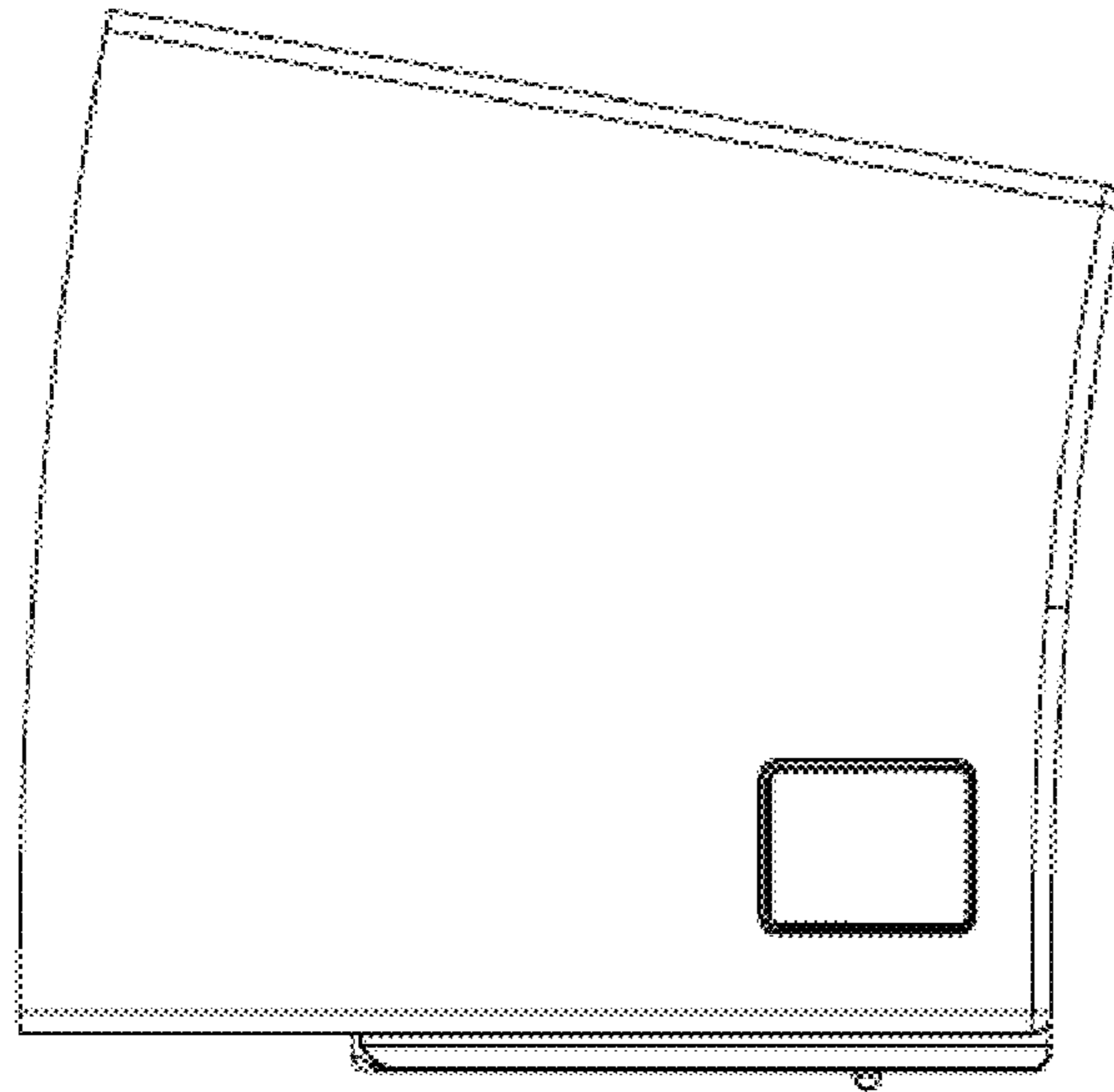


FIG. 5

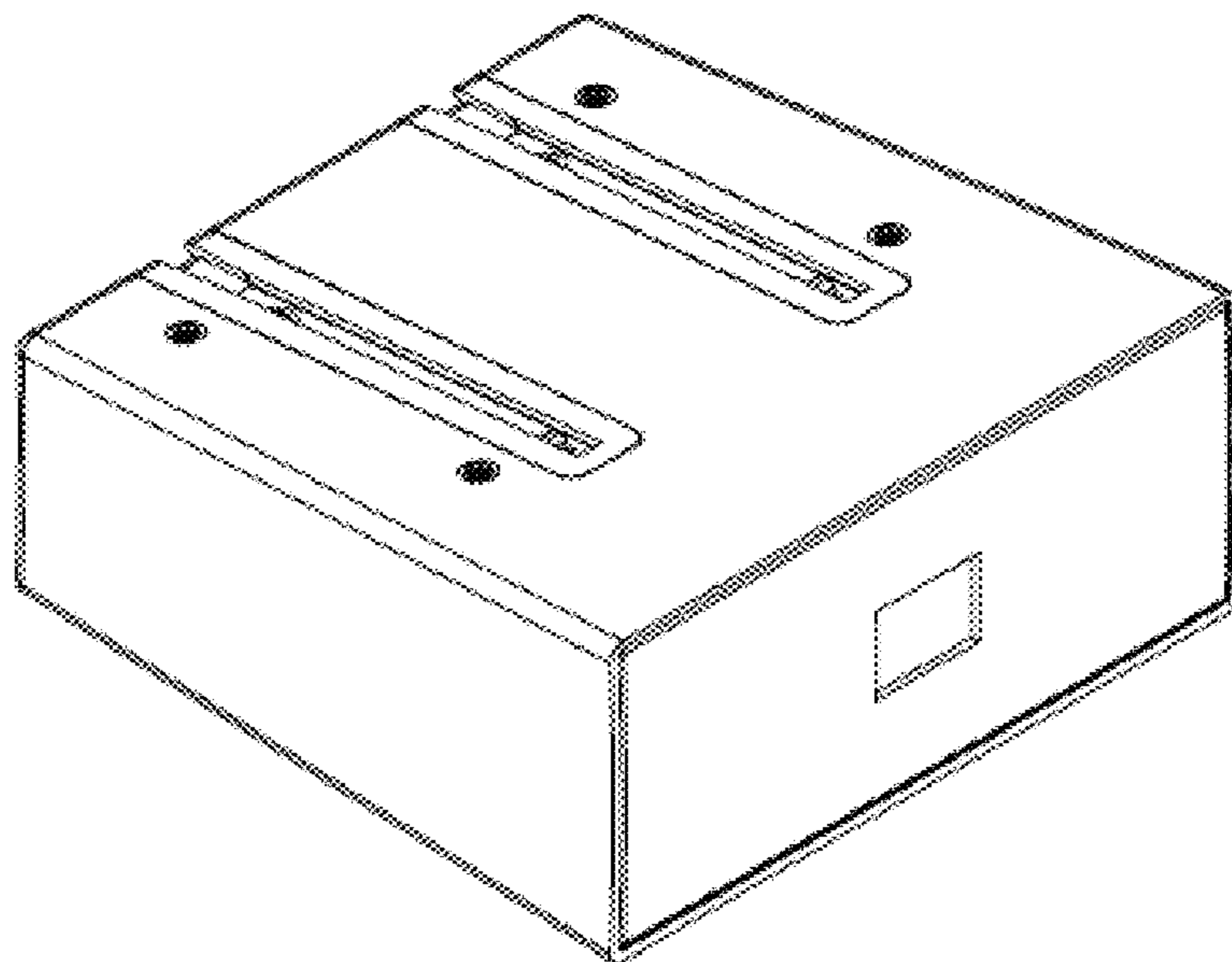


FIG. 6

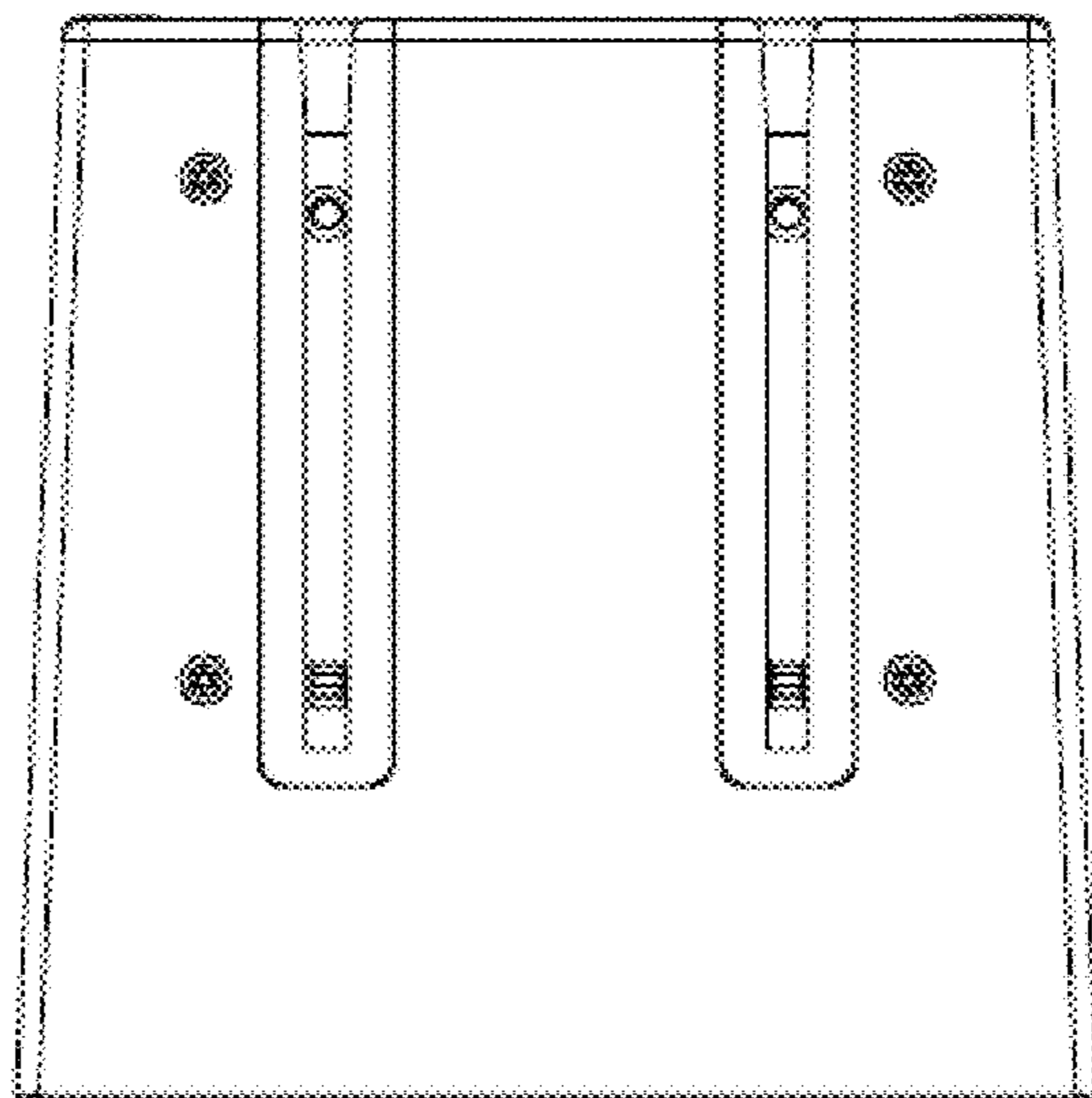


FIG. 7

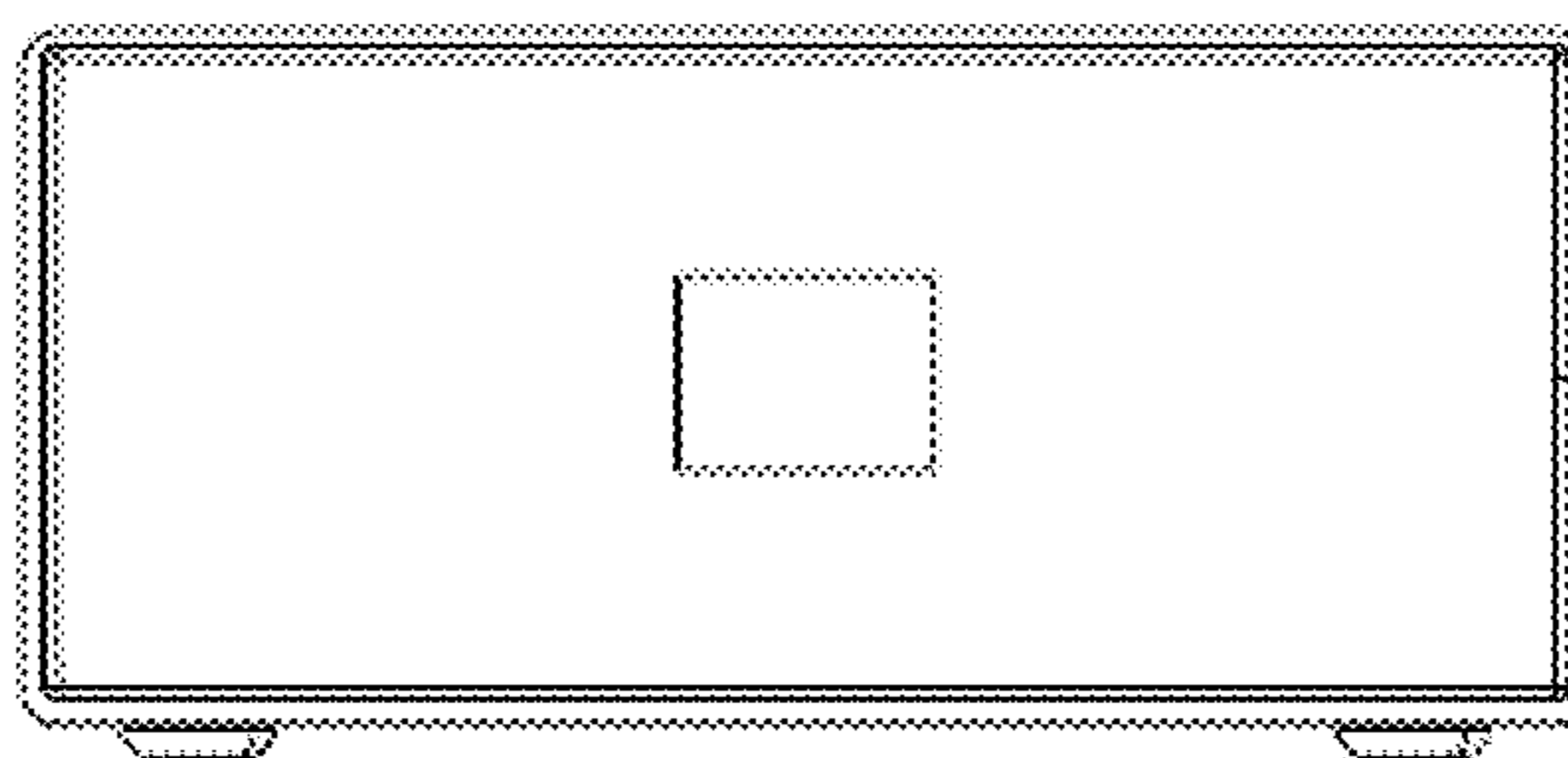


FIG. 8

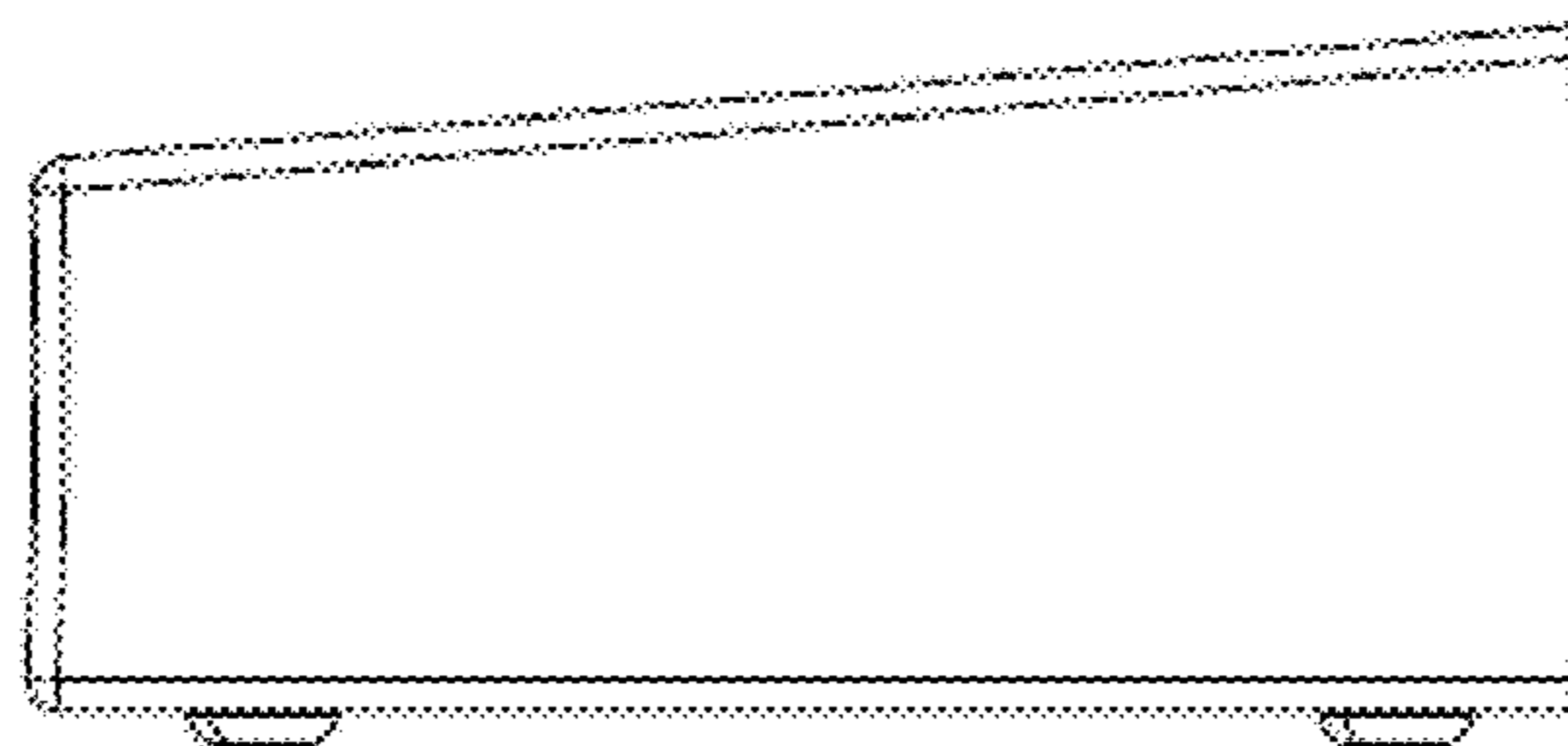


FIG. 9