



US00D803808S

(12) **United States Design Patent** (10) **Patent No.:** **US D803,808 S**  
**Lu** (45) **Date of Patent:** **\*\* Nov. 28, 2017**

(54) **MULTI-FUNCTION SAFE SPEAKER**

(71) Applicant: **Hai Lu**, Shenzhen (CN)

(72) Inventor: **Hai Lu**, Shenzhen (CN)

(73) Assignee: **Hai Lu**, Shenzhen, Guangdong Province (CN)

(\*\*) Term: **15 Years**

(21) Appl. No.: **29/588,066**

(22) Filed: **Dec. 17, 2016**

(51) **LOC (10) Cl.** ..... **14-02**

(52) **U.S. Cl.**  
USPC ..... **D14/207**; D14/172

(58) **Field of Classification Search**  
USPC ..... D14/204, 207, 210–216, 172, 209.1, D14/203.2, 189; 181/143, 144, 147, 148, 181/150–153, 157, 198, 199; 381/300–303, 306, 332, 333, 336, 345, 381/361–364, 386–388; D11/160, 162, D11/606–609, 832; 455/344–347; 369/6–12; D9/683, 500, 738, 763; D7/300, 601–606  
CPC ..... H04R 1/00; H04R 1/02; H04R 2400/00; H05K 5/00  
See application file for complete search history.

(56) **References Cited**

**U.S. PATENT DOCUMENTS**

- 4,567,959 A \* 2/1986 Prophit ..... H04R 1/2819  
181/141
- 4,993,511 A \* 2/1991 Hiraki ..... H04R 1/025  
181/150

- D326,656 S \* 6/1992 Koza ..... D14/207
- 5,319,164 A \* 6/1994 Shen ..... H04R 1/025  
181/150
- 5,824,969 A \* 10/1998 Takenaka ..... H04R 1/2857  
181/145
- 5,864,100 A \* 1/1999 Newman ..... H04R 1/02  
181/153
- 5,892,182 A \* 4/1999 Newman ..... H04R 1/02  
181/153
- D466,103 S \* 11/2002 Jordan ..... D14/207
- D521,977 S \* 5/2006 Lopez ..... D14/204
- D551,657 S \* 9/2007 Krueger ..... H04R 1/2857  
D14/204
- D747,292 S \* 1/2016 Thomason ..... D14/207
- D761,229 S \* 7/2016 Tang ..... D14/207
- D783,573 S \* 4/2017 Liu ..... D14/207

\* cited by examiner

*Primary Examiner* — Prabhakar Deshmukh

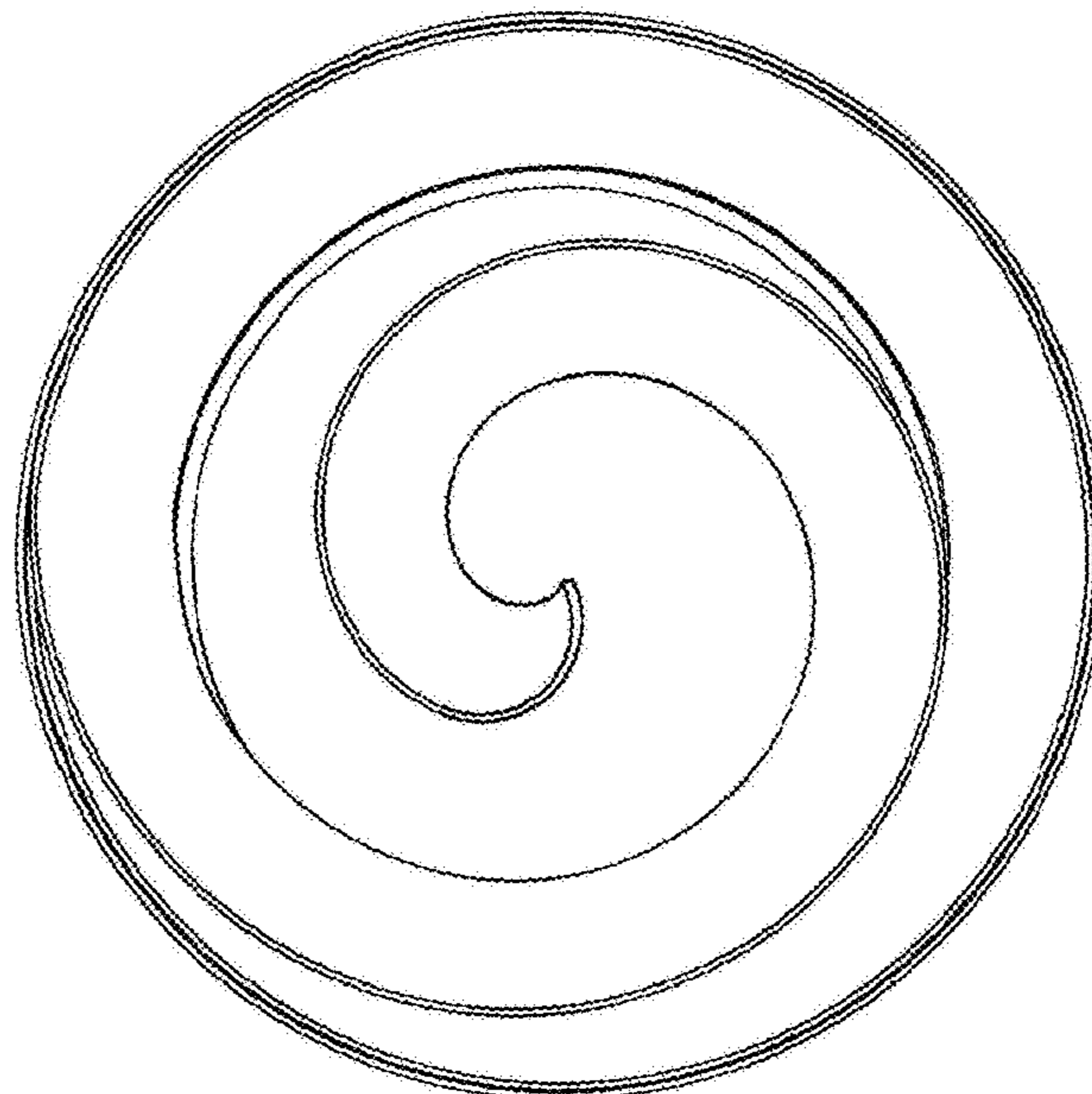
(57) **CLAIM**

The ornamental design for multi-function safe speaker, as shown and described.

**DESCRIPTION**

FIG. 1 is a perspective view of a multi-function safe speaker showing my new design;  
FIG. 2 is a front elevational view thereof;  
FIG. 3 is a top elevational view thereof;  
FIG. 4 is a left side elevational view thereof;  
FIG. 5 is a rear side elevational view thereof;  
FIG. 6 is a right plan view thereof; and,  
FIG. 7 is a bottom plan view thereof.

**1 Claim, 7 Drawing Sheets**



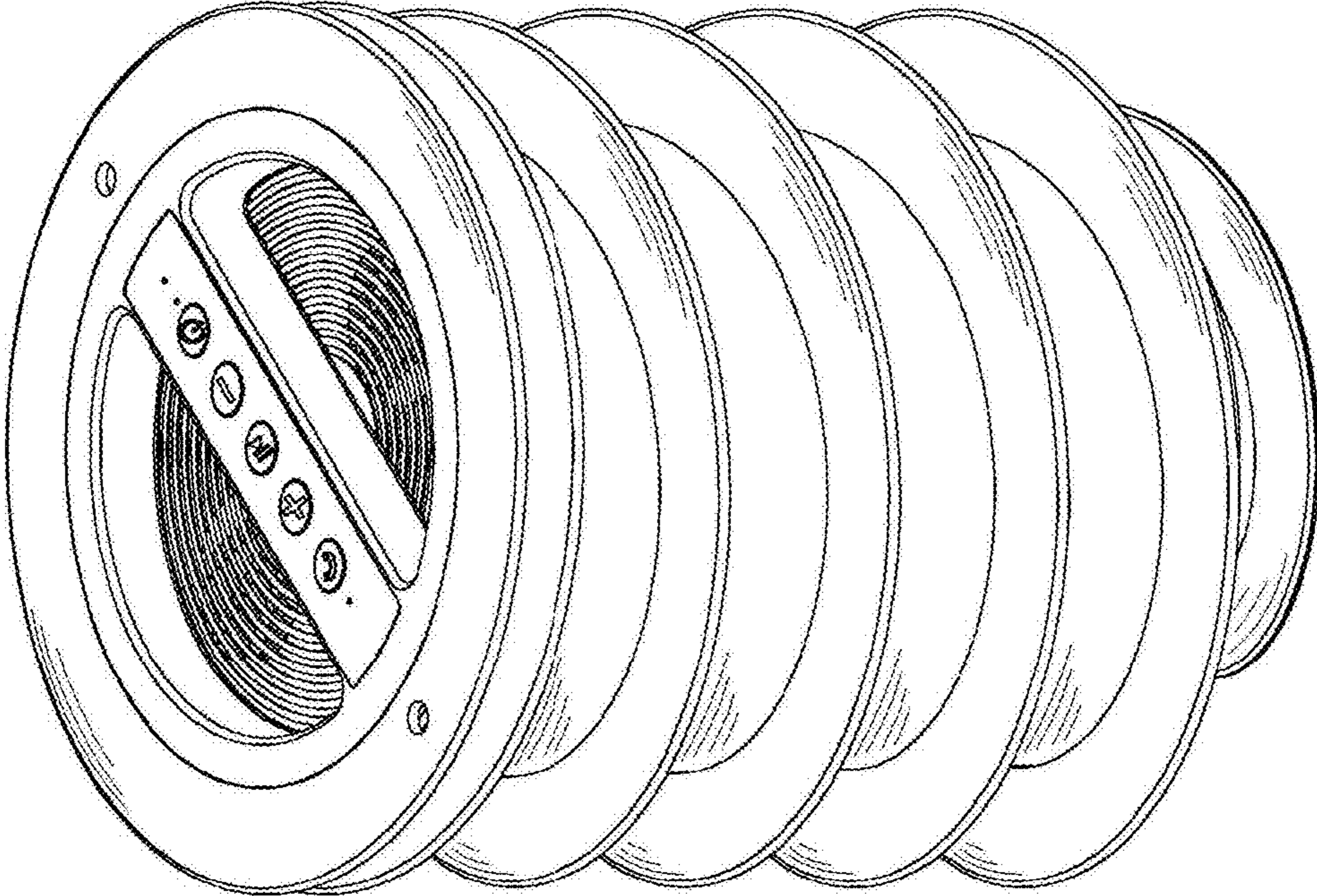


FIG. 1

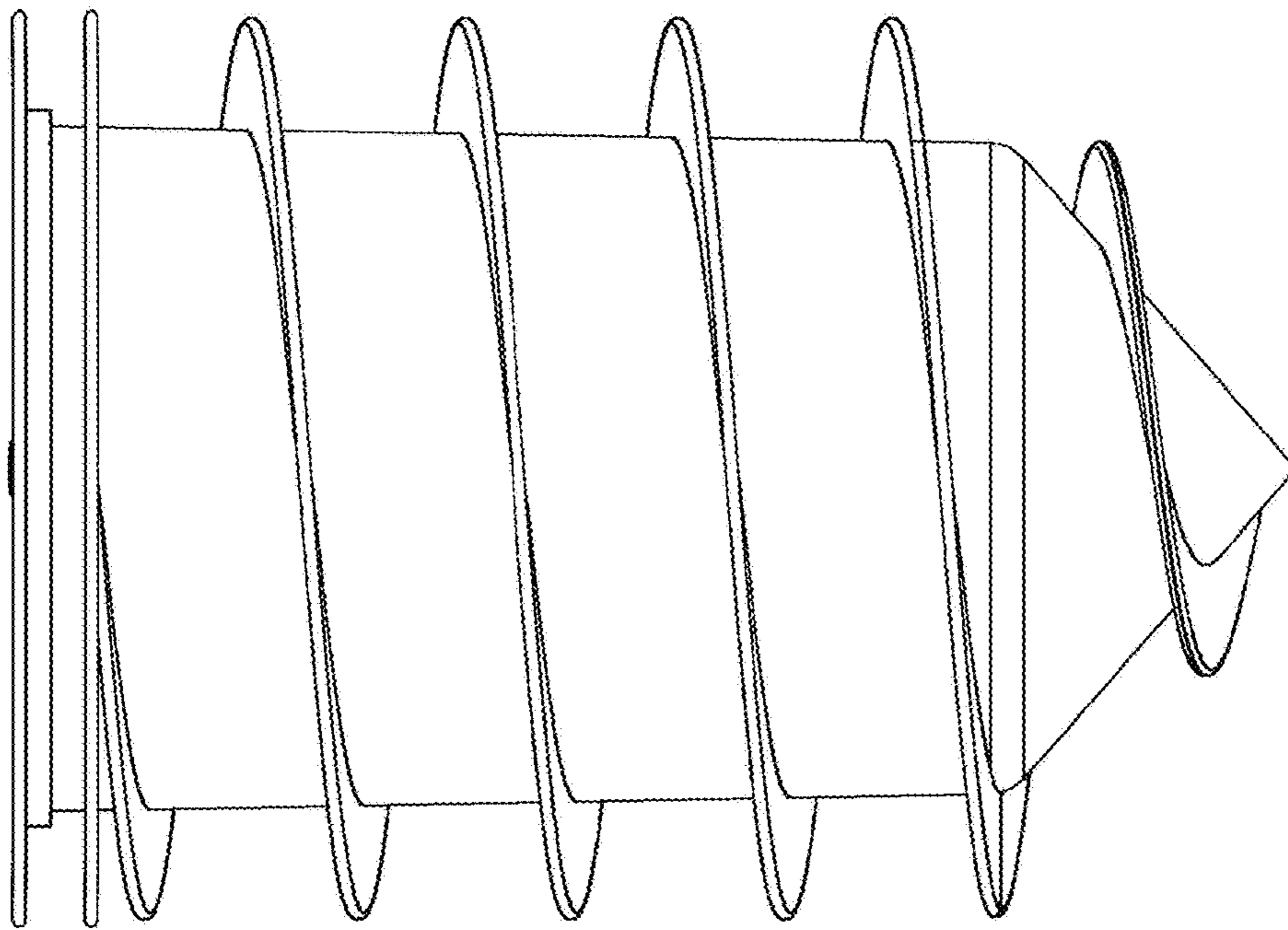


FIG. 2

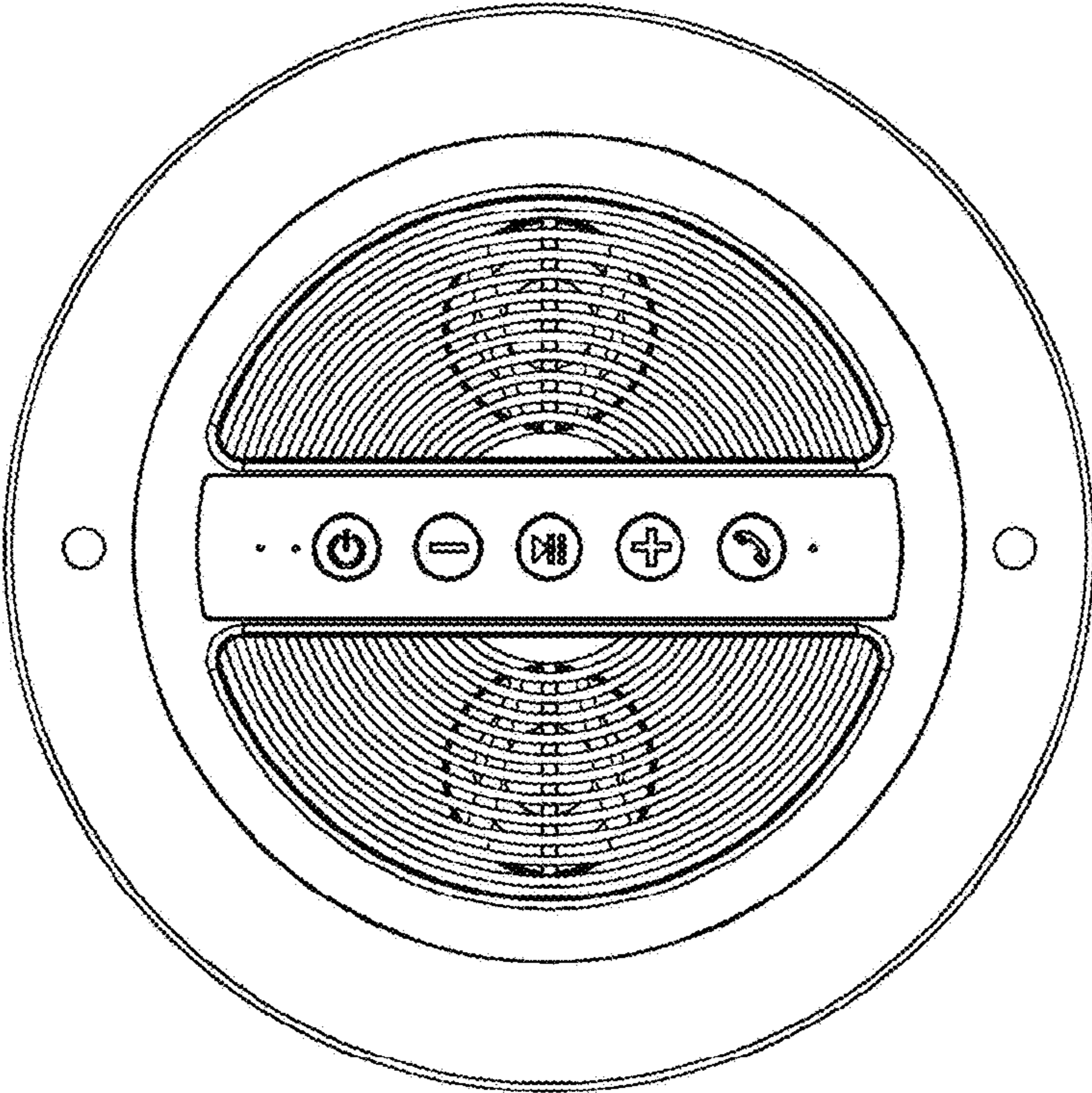


FIG. 3

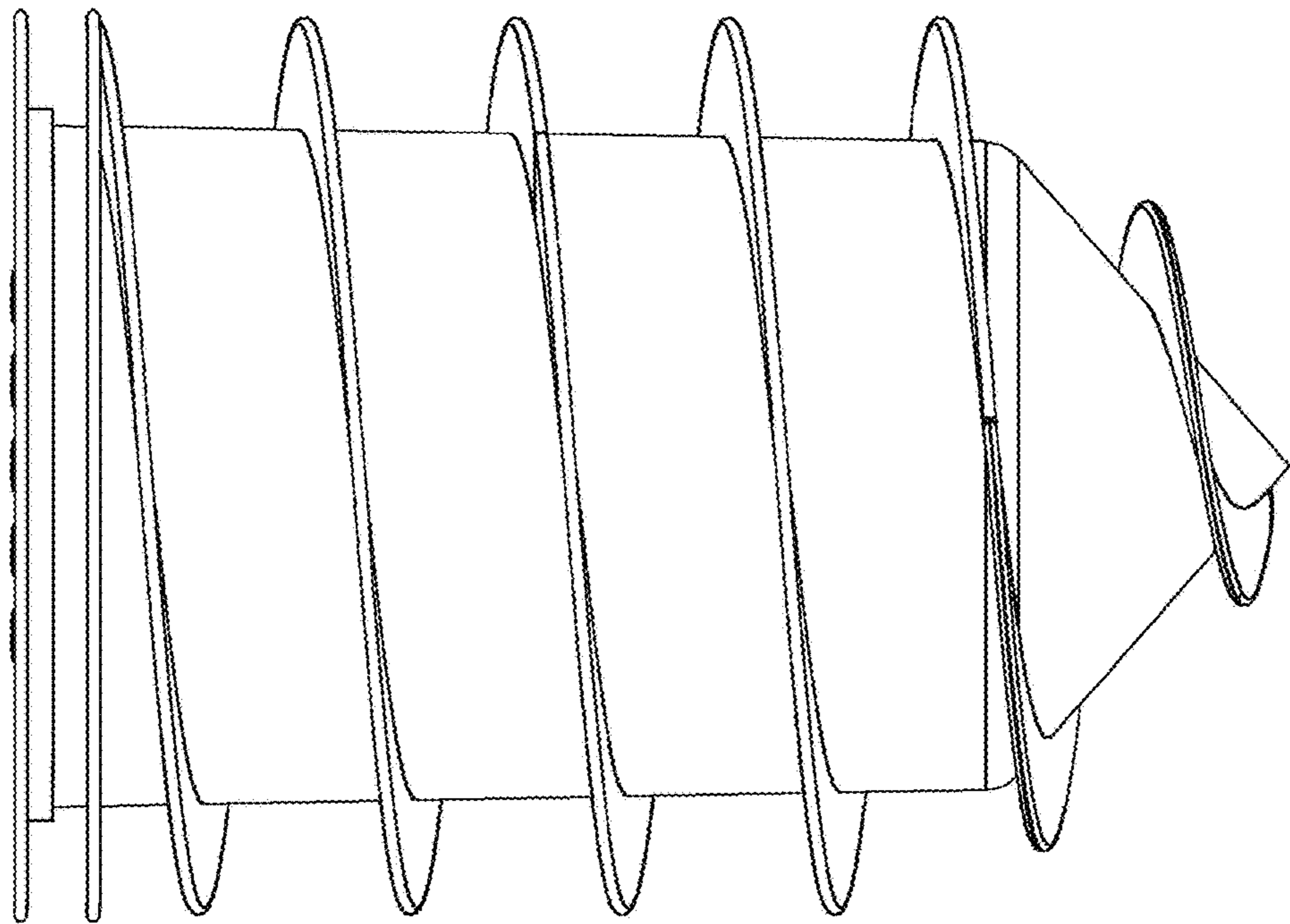


FIG. 4

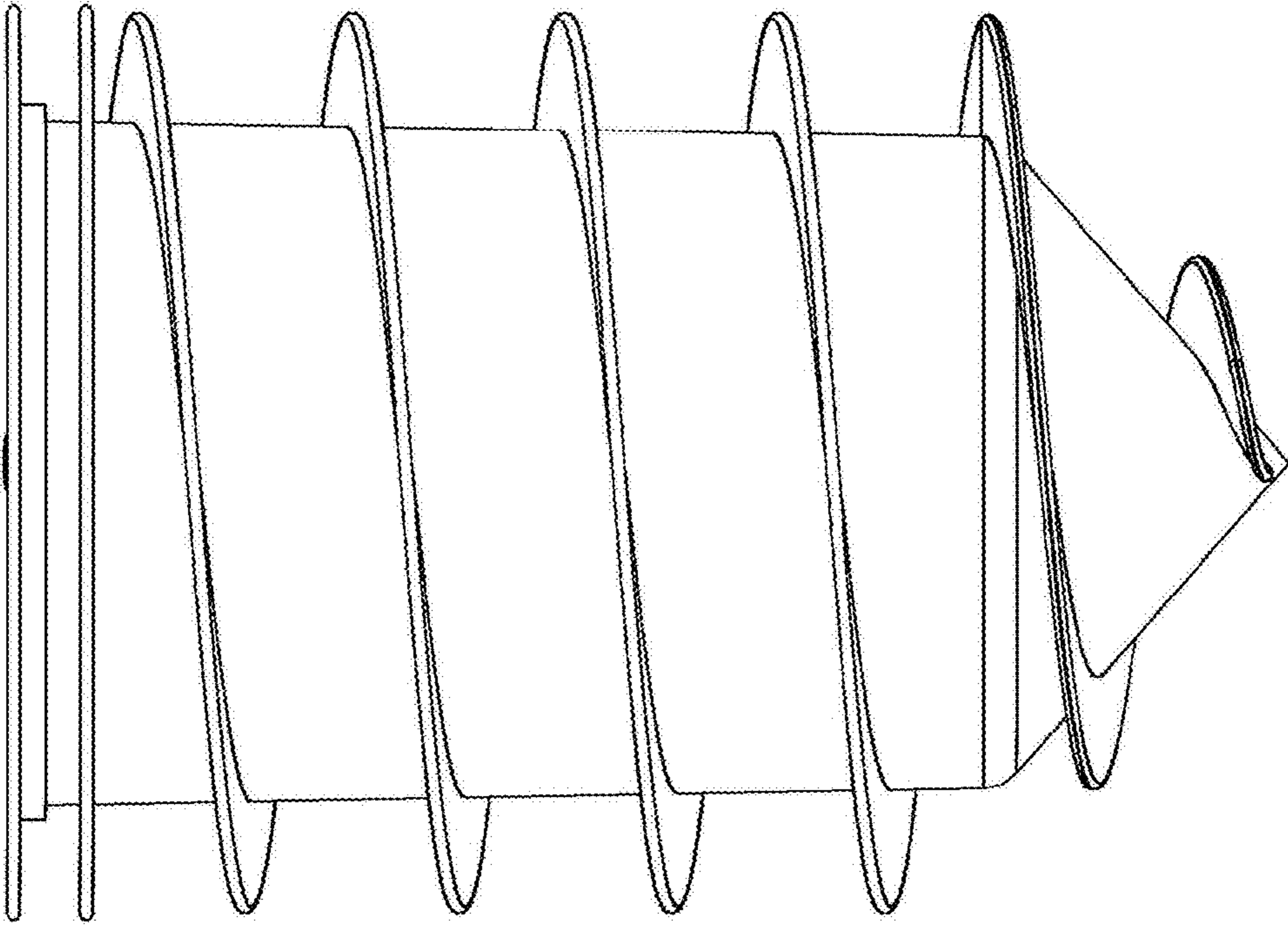


FIG. 5

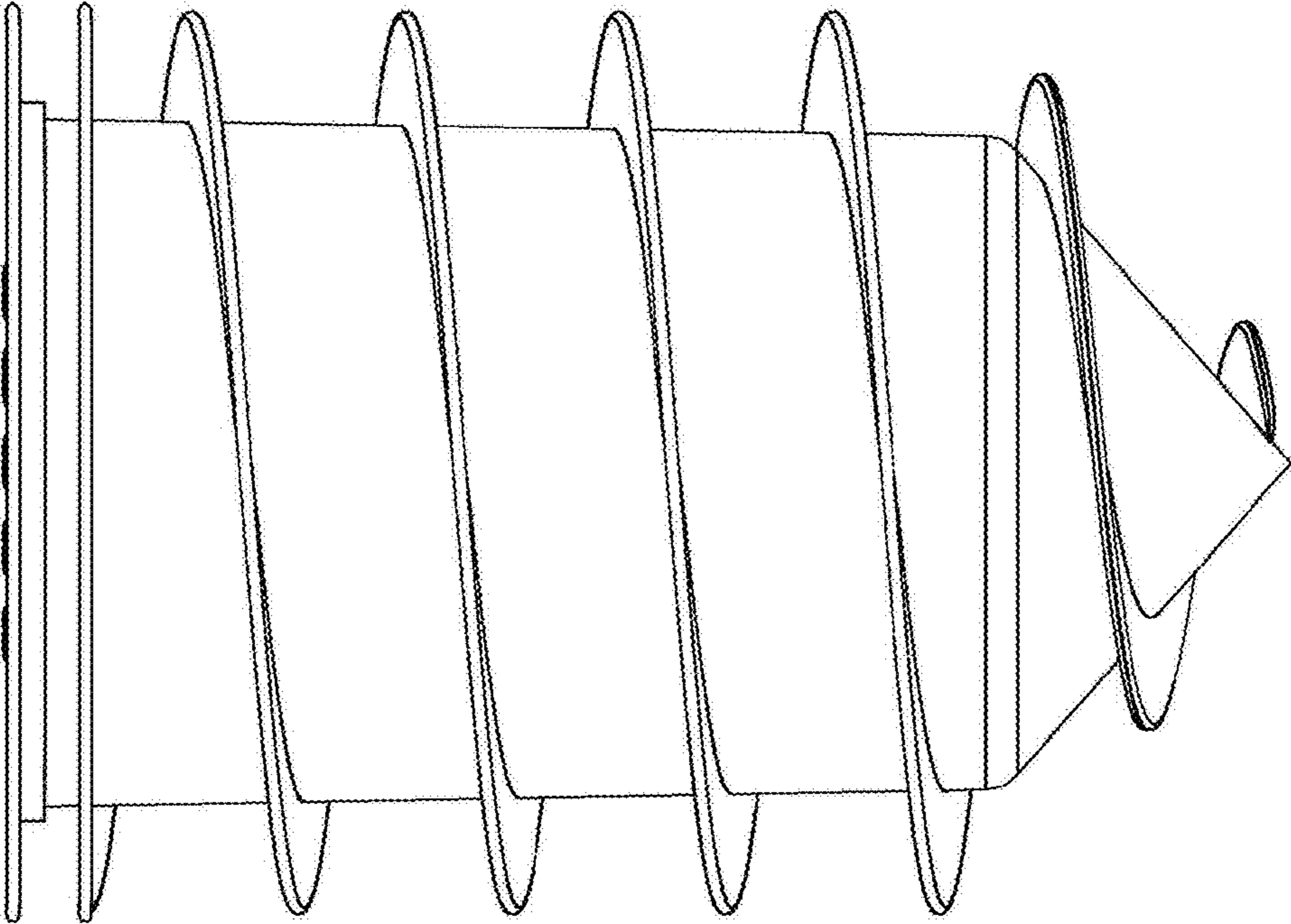


FIG. 6

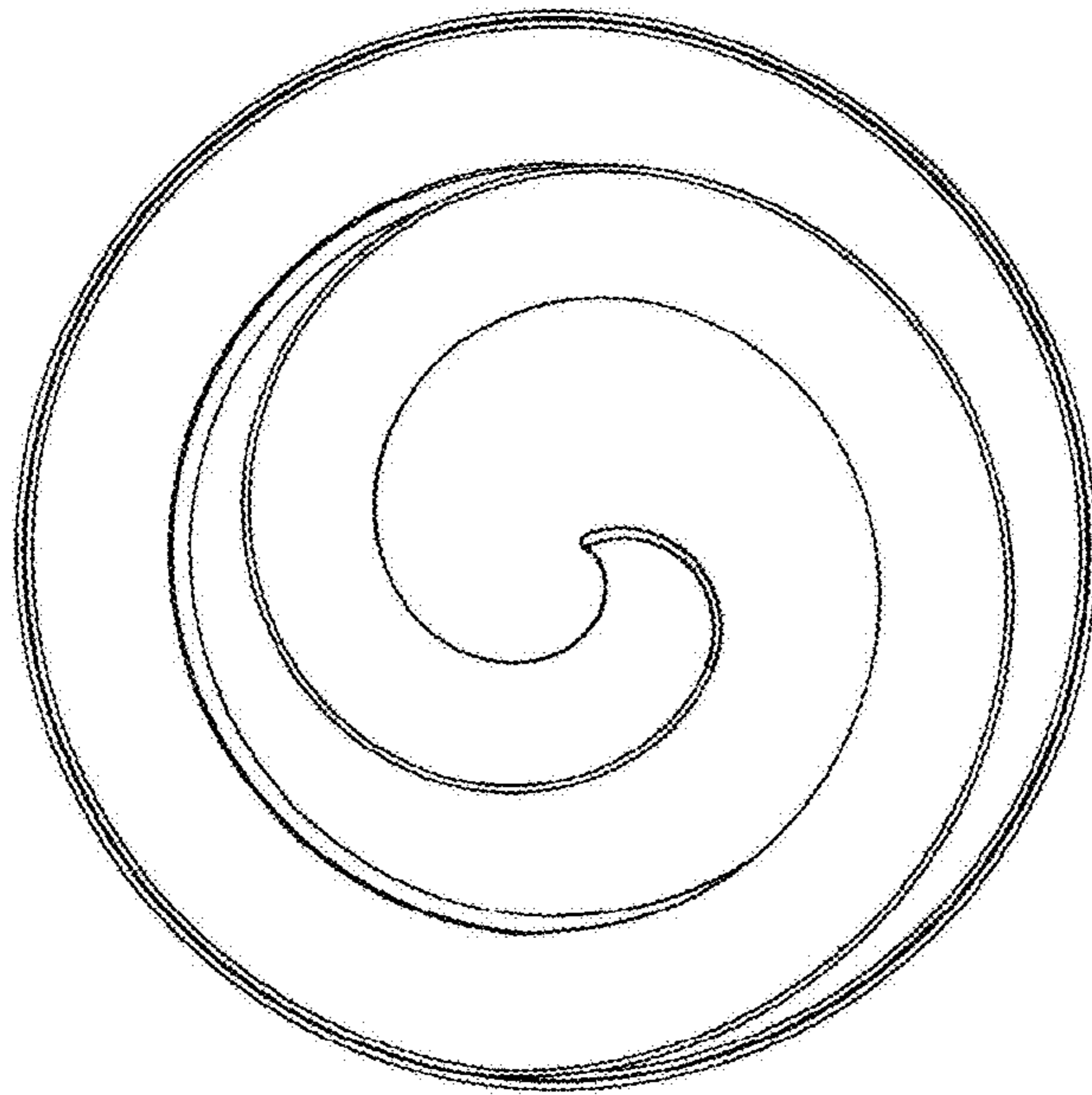


FIG. 7