



US00D803804S

(12) **United States Design Patent**  
**Kott et al.**

(10) **Patent No.:** **US D803,804 S**

(45) **Date of Patent:** **\*\* Nov. 28, 2017**

(54) **MAGNET PLATE**

(71) Applicant: **Ilten Products Ltd.**, Richmond (CA)

(72) Inventors: **Marla Charisse Kott**, Vancouver (CA);  
**Kristin Sarah MacMillan**, West  
Vancouver (CA); **Alexander Jeffrey  
Feldman**, Vancouver (CA); **Robbie  
Gordon Roberts**, Port Moody (CA)

(73) Assignee: **Ilten Products Ltd.**, Richmond (CA)

(\*\*) Term: **15 Years**

(21) Appl. No.: **29/527,822**

(22) Filed: **May 21, 2015**

(30) **Foreign Application Priority Data**

Nov. 21, 2014 (EM) ..... 002582643

(51) **LOC (10) Cl.** ..... **13-99**

(52) **U.S. Cl.**  
USPC ..... **D13/183**

(58) **Field of Classification Search**  
USPC ..... D13/183, 133, 154, 184, 199; D8/16,  
D8/373; D19/75, 96, 97, 100; 174/661,  
174/659, 50, 660, 666, 153 G, 655, 58,  
174/60, 64, 656, 665, 135, 152 G, 53, 57,  
174/59, 650, 653, 657, 663, 667;  
446/129, 132, 137, 138; 63/29.2, 900;  
248/206.5, 467; 40/600, 621; 24/691,  
24/619; D20/22, 41, 43  
CPC .... G09F 7/04; G09F 2007/1852; Y10T 24/32;  
A44D 2203/00; Y10S 63/90; Y10S  
211/01; B43M 99/004  
See application file for complete search history.

(56) **References Cited**

**U.S. PATENT DOCUMENTS**

2,448,611 A \* 9/1948 Martin ..... B42D 9/004  
116/234  
3,144,695 A 8/1964 Budwig

D247,845 S \* 5/1978 Palm, Jr. .... D8/352  
4,198,772 A \* 4/1980 Furutu ..... G09F 3/00  
292/318  
D294,791 S \* 3/1988 Loscalzo ..... D6/323  
5,369,899 A \* 12/1994 Reeves ..... A44C 3/001  
24/303  
D369,093 S \* 4/1996 Chiodaroli ..... D8/373  
D386,067 S 11/1997 Hamerski et al.  
D415,467 S \* 10/1999 Starkey ..... D13/133  
6,360,464 B1 3/2002 Tate  
D463,731 S 10/2002 Striebel  
D481,684 S \* 11/2003 Bomar ..... D13/154  
6,671,986 B2 1/2004 Reeves  
6,726,252 B1 4/2004 Chaikel et al.  
D499,383 S \* 12/2004 Bomar ..... D13/154  
D600,756 S 9/2009 Fleming

(Continued)

**OTHER PUBLICATIONS**

Imprint Plus "solutions 2007 product sampler", p. 13, 2007.

*Primary Examiner* — Derrick Holland

*Assistant Examiner* — Jennifer O King

(74) *Attorney, Agent, or Firm* — Oyen Wiggs Green &  
Mutala LLP

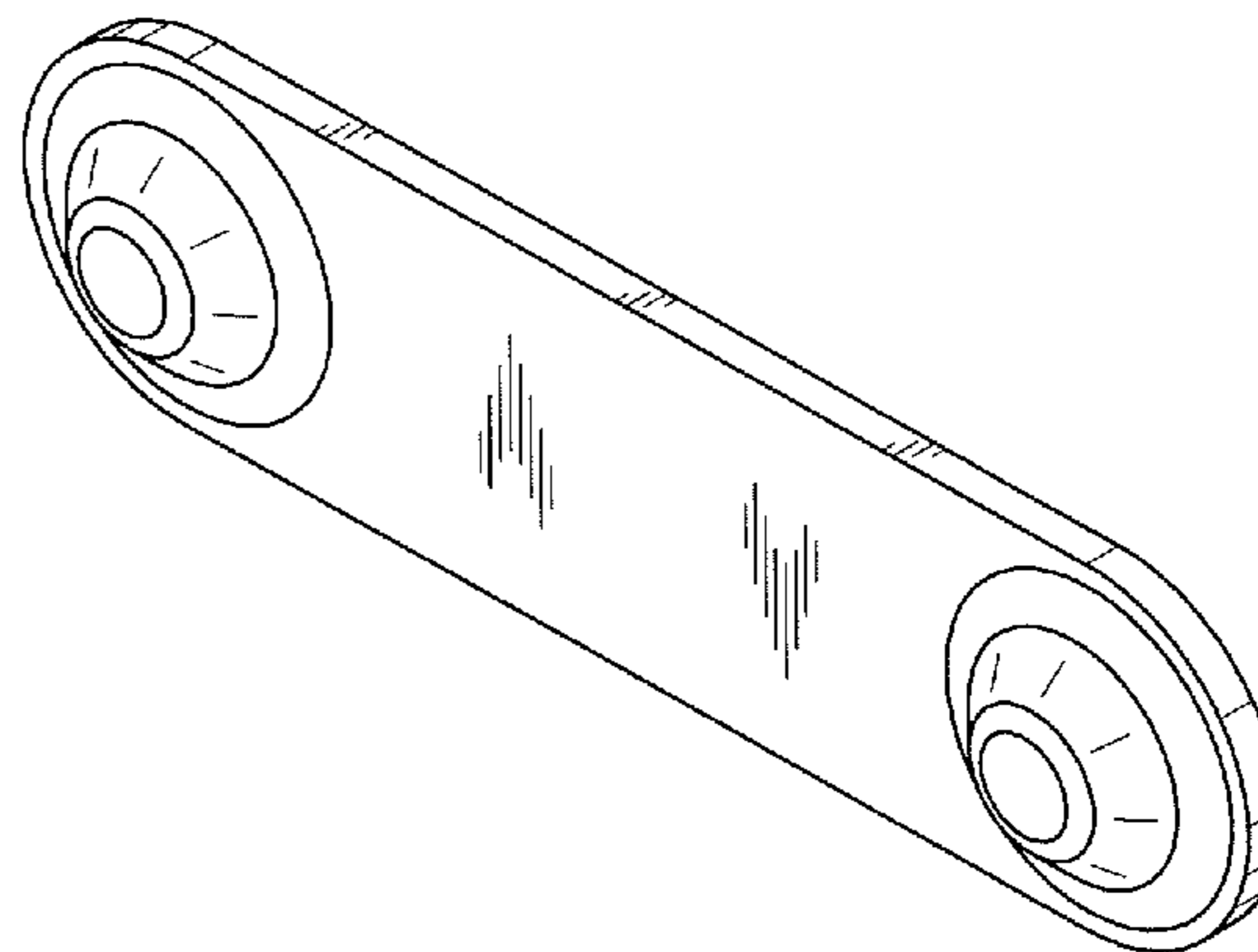
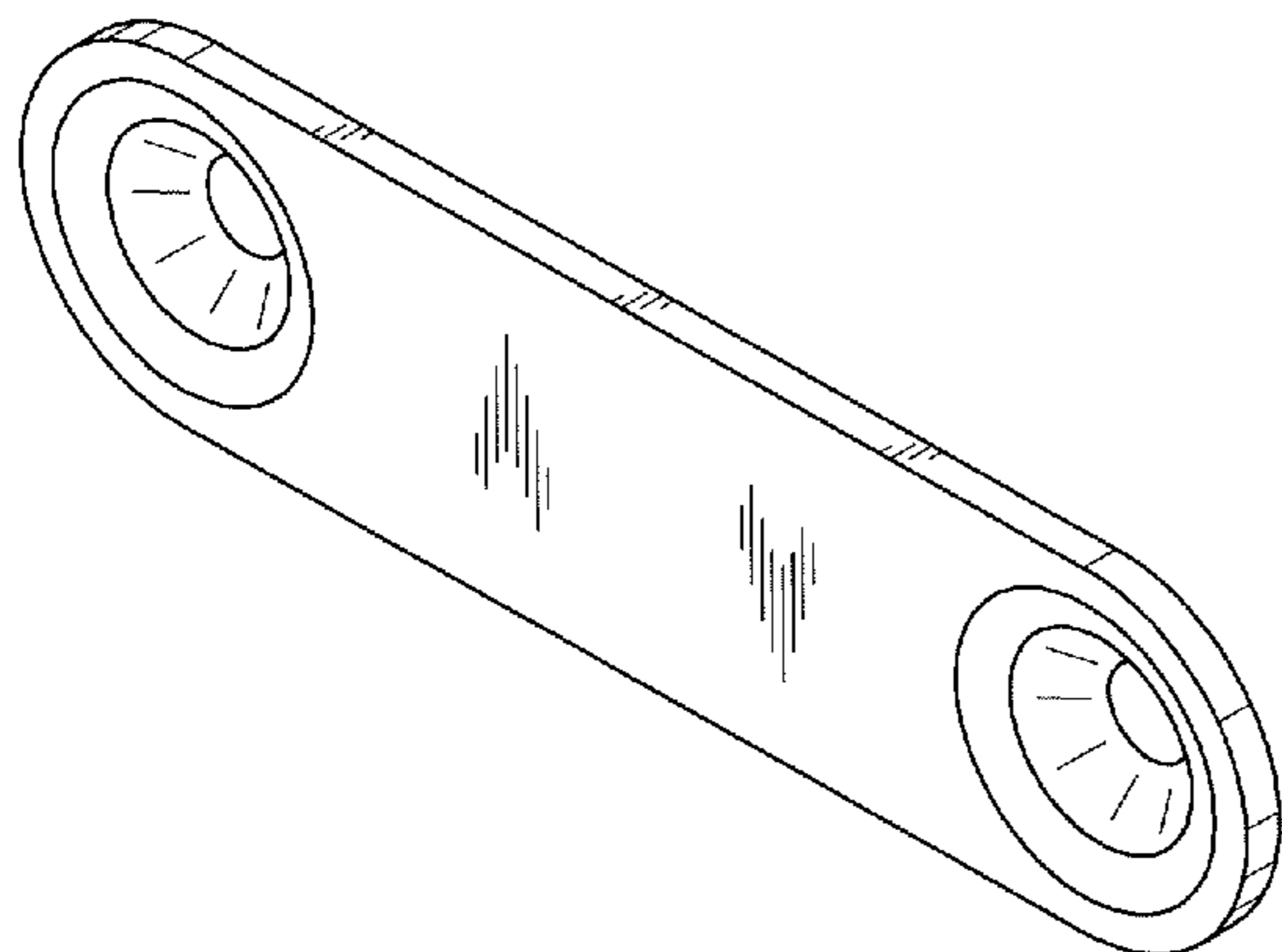
(57) **CLAIM**

The ornamental design for a magnet plate, as shown and  
described.

**DESCRIPTION**

FIG. 1 is a front perspective view of a magnet plate;  
FIG. 2 is a rear perspective view thereof.  
FIG. 3 is a front view thereof;  
FIG. 4 is a rear view thereof;  
FIG. 5 is a top view thereof;  
FIG. 6 is a bottom view thereof;  
FIG. 7 is a first side view thereof; and,  
FIG. 8 is a second side view thereof.

**1 Claim, 3 Drawing Sheets**



(56)

**References Cited**

U.S. PATENT DOCUMENTS

D633,051	S *	2/2011	Nurmi .....	D13/155
D650,004	S *	12/2011	Lawing .....	D17/20
D731,991	S	6/2015	Berdut-Teruel	
D735,565	S	8/2015	Serra et al.	
D747,178	S *	1/2016	Rothbaum .....	D8/356
D757,184	S	5/2016	Balanchi	
D767,379	S *	9/2016	Knight .....	D8/372
D777,841	S *	1/2017	Kott .....	D20/43
2002/0095751	A1 *	7/2002	Reiter .....	A41F 1/002
				24/303
2005/0023420	A1 *	2/2005	Sadeh .....	B42F 1/006
				248/206.5
2010/0116955	A1	5/2010	Hayes et al.	
2012/0067834	A1 *	3/2012	Gokey .....	A47F 7/163
				211/45
2014/0213139	A1 *	7/2014	Ferguson .....	A63H 33/046
				446/92
2015/0371566	A1 *	12/2015	Kott .....	G09F 3/207
				40/1.6
2017/0041702	A1 *	2/2017	Bae .....	H04R 1/028

\* cited by examiner

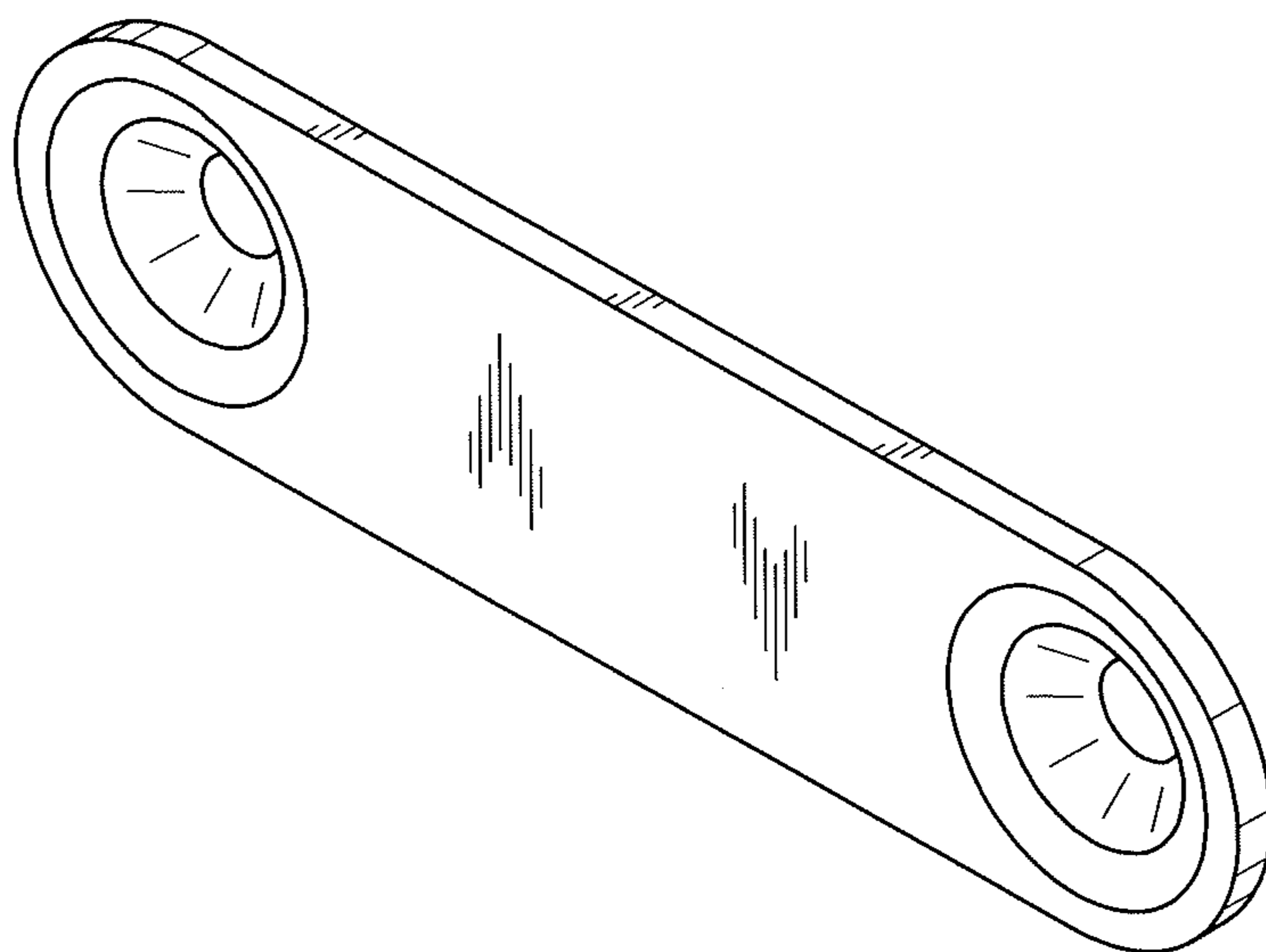


FIG. 1

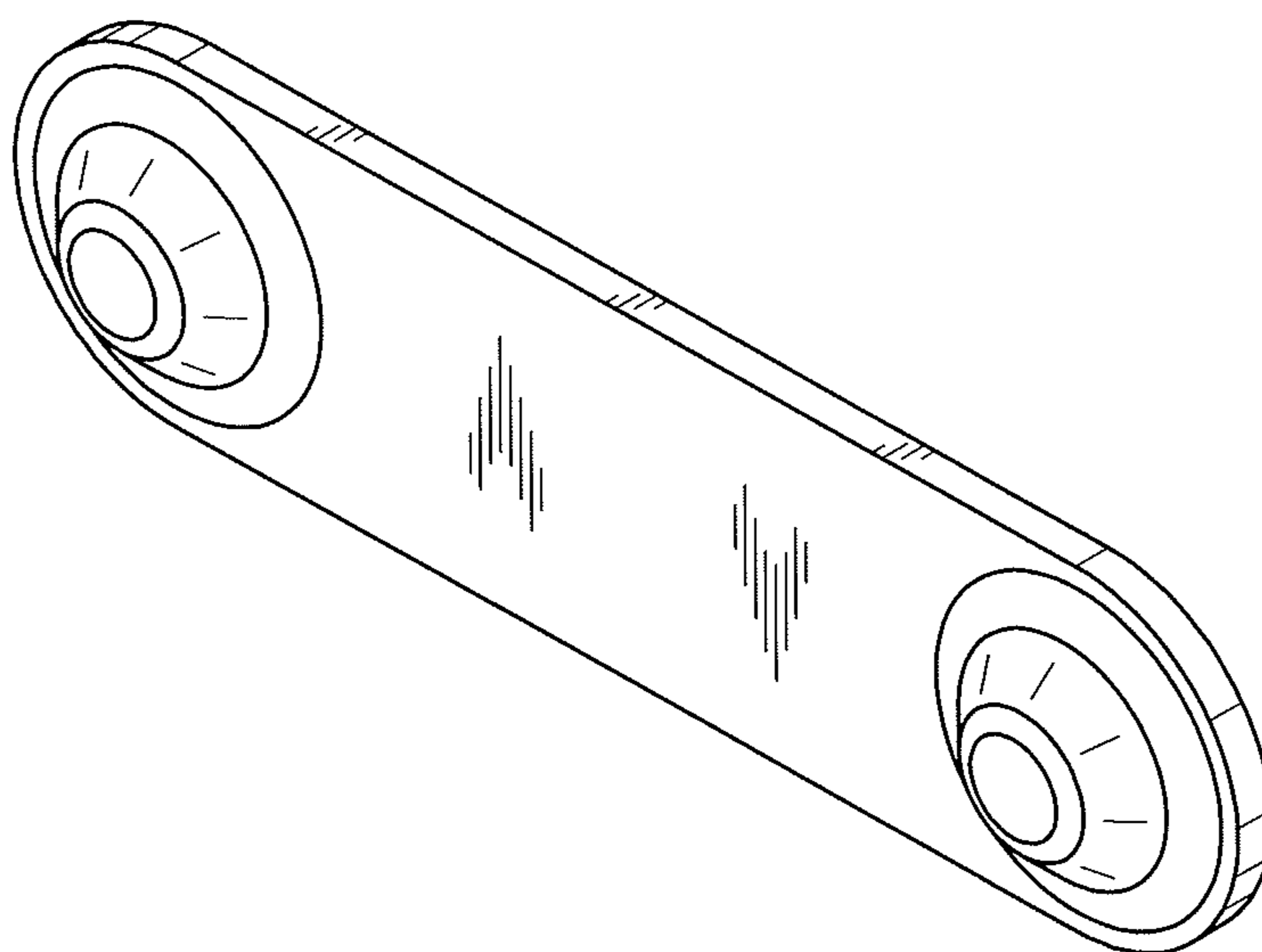


FIG. 2

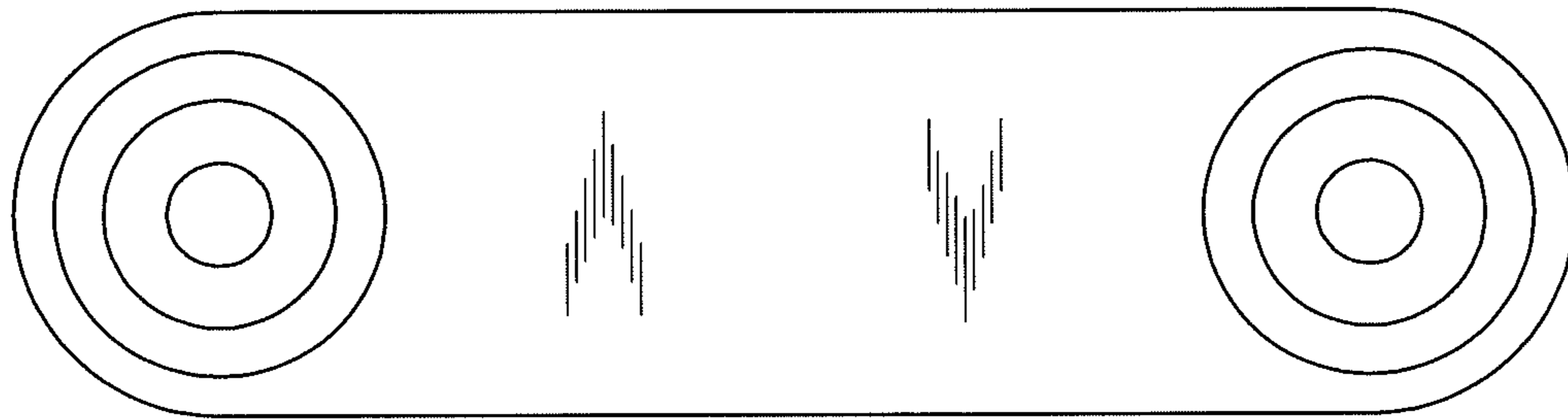


FIG. 3

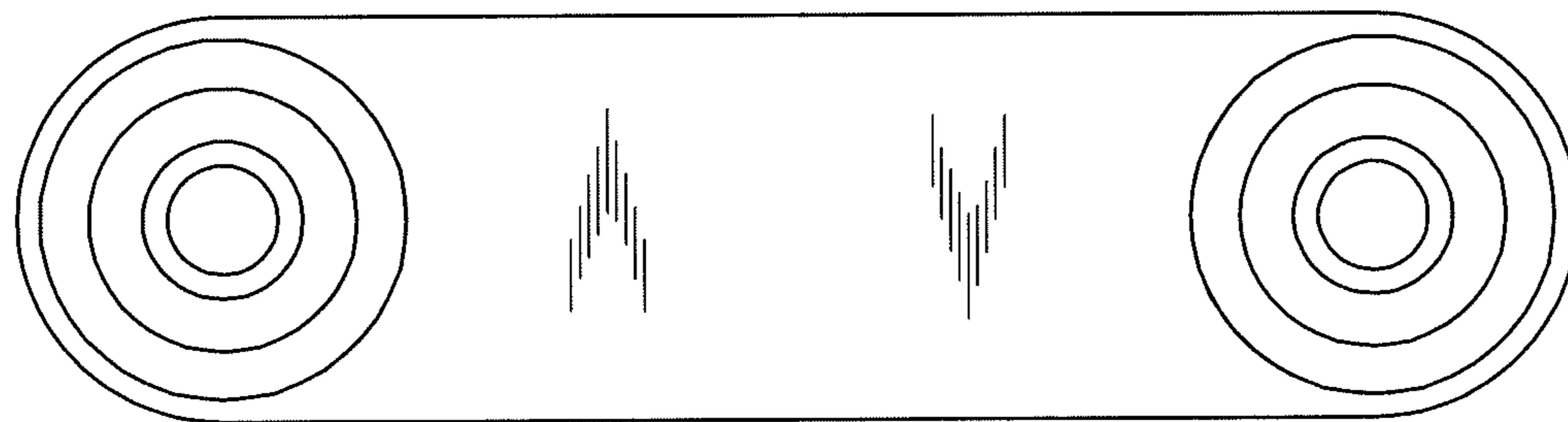


FIG. 4

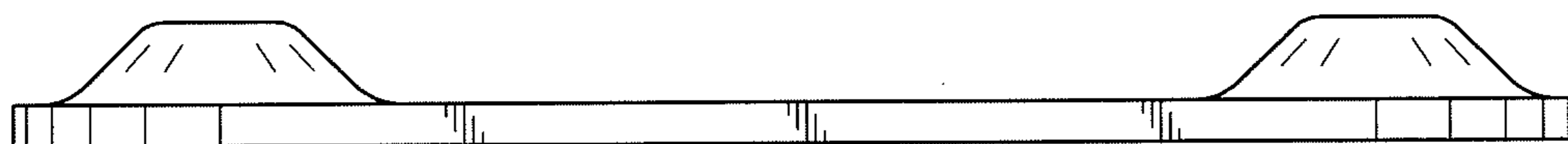


FIG. 5

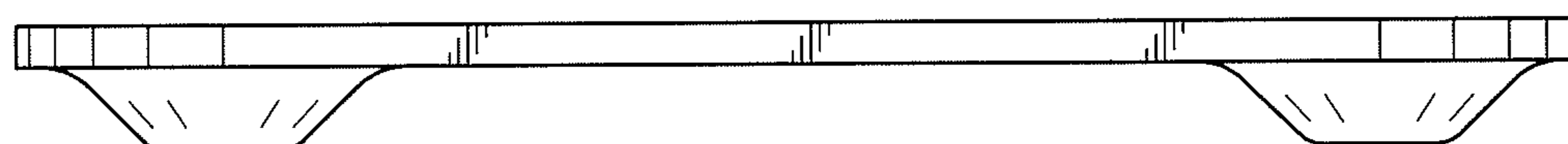


FIG. 6

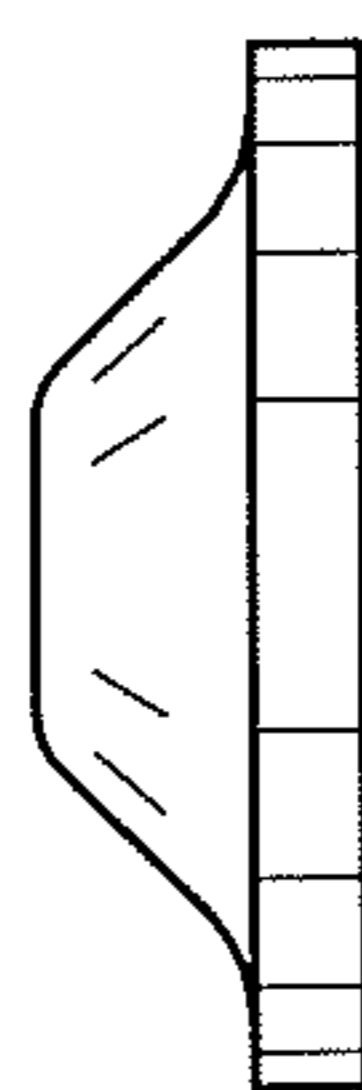


FIG. 7

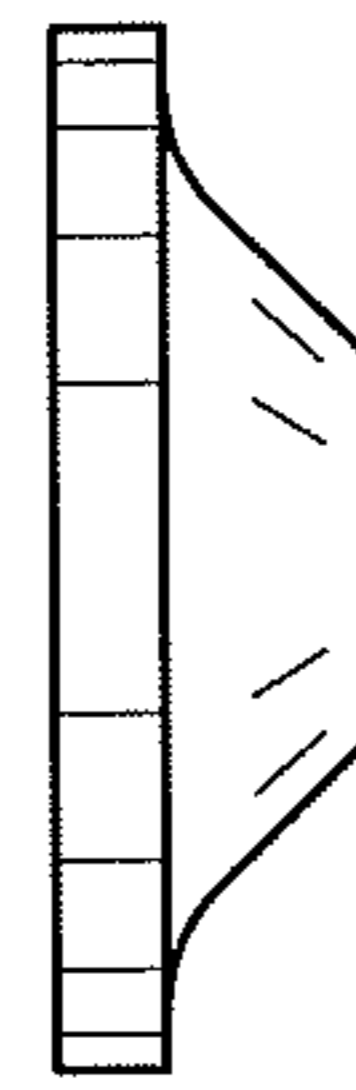


FIG. 8