



US00D803798S

(12) **United States Design Patent** (10) **Patent No.:** **US D803,798 S**
Au et al. (45) **Date of Patent:** **** Nov. 28, 2017**

(54) **SURFACE MOUNT DEVICE**

(71) Applicant: **RSM Electron Power, Inc.**, Deer Park, NY (US)

(72) Inventors: **Ching Au**, Garden City, NY (US);
David Peng, Flushing, NY (US);
Dennis Zegzula, East Patchogue, NY (US)

(73) Assignee: **RSM Electron Power, Inc.**, Deer Park, NY (US)

(**) Term: **15 Years**

(21) Appl. No.: **29/573,701**

(22) Filed: **Aug. 9, 2016**

(51) **LOC (10) Cl.** **13-03**

(52) **U.S. Cl.**
USPC **D13/180; D8/349**

(58) **Field of Classification Search**
USPC **D8/380, 349, 354, 363, 364, 366, 371, D8/372; D13/180, 184**

(Continued)

(56) **References Cited**

U.S. PATENT DOCUMENTS

5,528,079 A * 6/1996 McIver H01L 23/057
257/698
5,792,984 A * 8/1998 Bloom H01L 23/10
174/536

(Continued)

Primary Examiner — Mark Goodwin

(74) *Attorney, Agent, or Firm* — Fitzpatrick, Cella, Harper & Scinto

(57) **CLAIM**

The ornamental design for surface mount device, as shown and described.

DESCRIPTION

FIG. 1 is a perspective view of a first embodiment of the surface mount device.

FIG. 2 is a front elevational view of the surface mount device shown in FIG. 1, with the rear elevational view (not shown) being a mirror image of the front elevational view. FIG. 3 is a left side elevational view of the surface mount device shown in FIG. 1, with the right side elevational view (not shown) being a mirror image of the left side view. FIG. 4 is a top view of the surface mount device shown in FIG. 1.

FIG. 5 is a bottom view of the surface mount device shown in FIG. 1.

FIG. 6 is a perspective view of a second embodiment of the surface mount device.

FIG. 7 is a front elevational view of the surface mount device shown in FIG. 6, with the rear elevational view (not shown) being a mirror image of the front elevational view.

FIG. 8 is a left side elevational view of the surface mount device shown in FIG. 6, with the right side elevational view (not shown) being a mirror image of the left side view.

FIG. 9 is a top view of the surface mount device shown in FIG. 6.

FIG. 10 is a bottom view of the surface mount device shown in FIG. 6.

FIG. 11 is a perspective view of a third embodiment of the surface mount device.

FIG. 12 is a front elevational view of the surface mount device shown in FIG. 11, with the rear elevational view (not shown) being a mirror image of the front elevational view.

FIG. 13 is a left side elevational view of the surface mount device shown in FIG. 11, with the right side elevational view (not shown) being a mirror image of the left side view.

FIG. 14 is a top view of the surface mount device shown in FIG. 11.

FIG. 15 is a bottom view of the surface mount device shown in FIG. 11.

FIG. 16 is a perspective view of a fourth embodiment of the surface mount device.

FIG. 17 is a front elevational view of the surface mount device shown in FIG. 16, with the rear elevational view (not shown) being a mirror image of the front elevational view.

FIG. 18 is a left side elevational view of the surface mount device shown in FIG. 16, with the right side elevational view (not shown) being a mirror image of the left side view.

FIG. 19 is a top view of the surface mount device shown in FIG. 16.

(Continued)

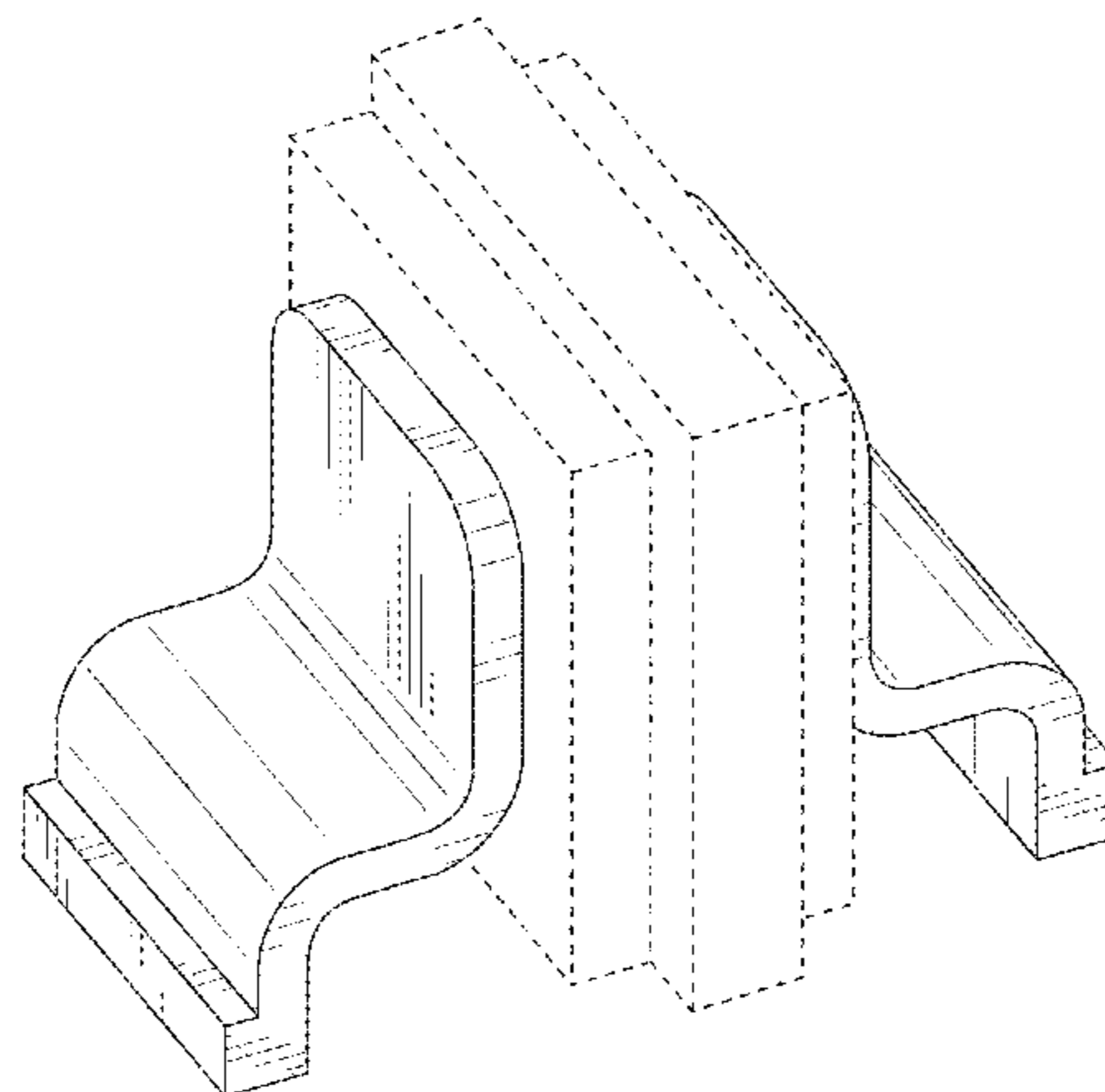


FIG. 20 is a bottom view of the surface mount device shown in FIG. 16.

FIG. 21 is a perspective view of a fifth embodiment of the surface mount device.

FIG. 22 is a front elevational view of the surface mount device shown in FIG. 21, with the rear elevational view (not shown) being a mirror image of the front elevational view.

FIG. 23 is a left side elevational view of the surface mount device shown in FIG. 21, with the right side elevational view (not shown) being a mirror image of the left side view.

FIG. 24 is a top view of the surface mount device shown in FIG. 21; and,

FIG. 25 is a bottom view of the surface mount device shown in FIG. 21.

The broken lines shown in the drawings are included for the purpose of illustrating the environment in which the article resides and form no part of the claimed design.

1 Claim, 15 Drawing Sheets

(58) Field of Classification Search

CPC H05K 5/066; H05K 5/03; H05K 1/0271;
H05K 1/03; H05K 1/09; H05K 1/181;
H01L 23/055; H01L 23/10; H01L 23/043;
H01L 2224/48091; H01L 2224/48472;
H01L 2224/49111; H01L 2224/00014

See application file for complete search history.

(56) References Cited

U.S. PATENT DOCUMENTS

D453,745 S * 2/2002 Suenaga D13/180
D471,165 S * 3/2003 Williams D13/182

D490,784 S * 6/2004 Ishida D13/180
D499,385 S * 12/2004 Ishida D13/180
D503,388 S * 3/2005 Ishida D13/180
D504,404 S * 4/2005 Ishida D13/180
D506,187 S * 6/2005 Wang D13/180
D509,809 S * 9/2005 Wang D13/180
D546,783 S * 7/2007 Yoon D13/180
D573,552 S * 7/2008 Kim D13/180
D605,612 S * 12/2009 Hussell D13/180
D608,739 S * 1/2010 Hussell D13/180
D614,592 S * 4/2010 Hussell D13/180
D621,802 S * 8/2010 Hussell D13/180
8,097,937 B2 * 1/2012 Bogner H01L 33/62
257/100
D669,040 S * 10/2012 Hussell D13/180
D682,079 S * 5/2013 Chou D8/380
D684,545 S * 6/2013 Chan D13/180
D691,100 S * 10/2013 Chan D13/180
D718,253 S * 11/2014 Zerebilov D13/154
D727,268 S * 4/2015 Buck D13/154
D727,852 S * 4/2015 Buck D13/154
D748,063 S * 1/2016 Buck D13/154
D750,025 S * 2/2016 Buck D13/147
D750,030 S * 2/2016 Zerebilov D13/154
D761,971 S * 7/2016 Apanovich D25/119
9,392,713 B2 * 7/2016 Au H01L 23/055
D790,471 S * 6/2017 Buck D13/147
2004/0075100 A1 * 4/2004 Bogner H01L 33/62
257/99
2010/0013084 A1 * 1/2010 Medeiros, III H01L 23/055
257/693
2010/0270669 A1 * 10/2010 Medeiros, III H01L 23/055
257/692
2013/0099369 A1 * 4/2013 Shimane H01L 23/055
257/698

* cited by examiner

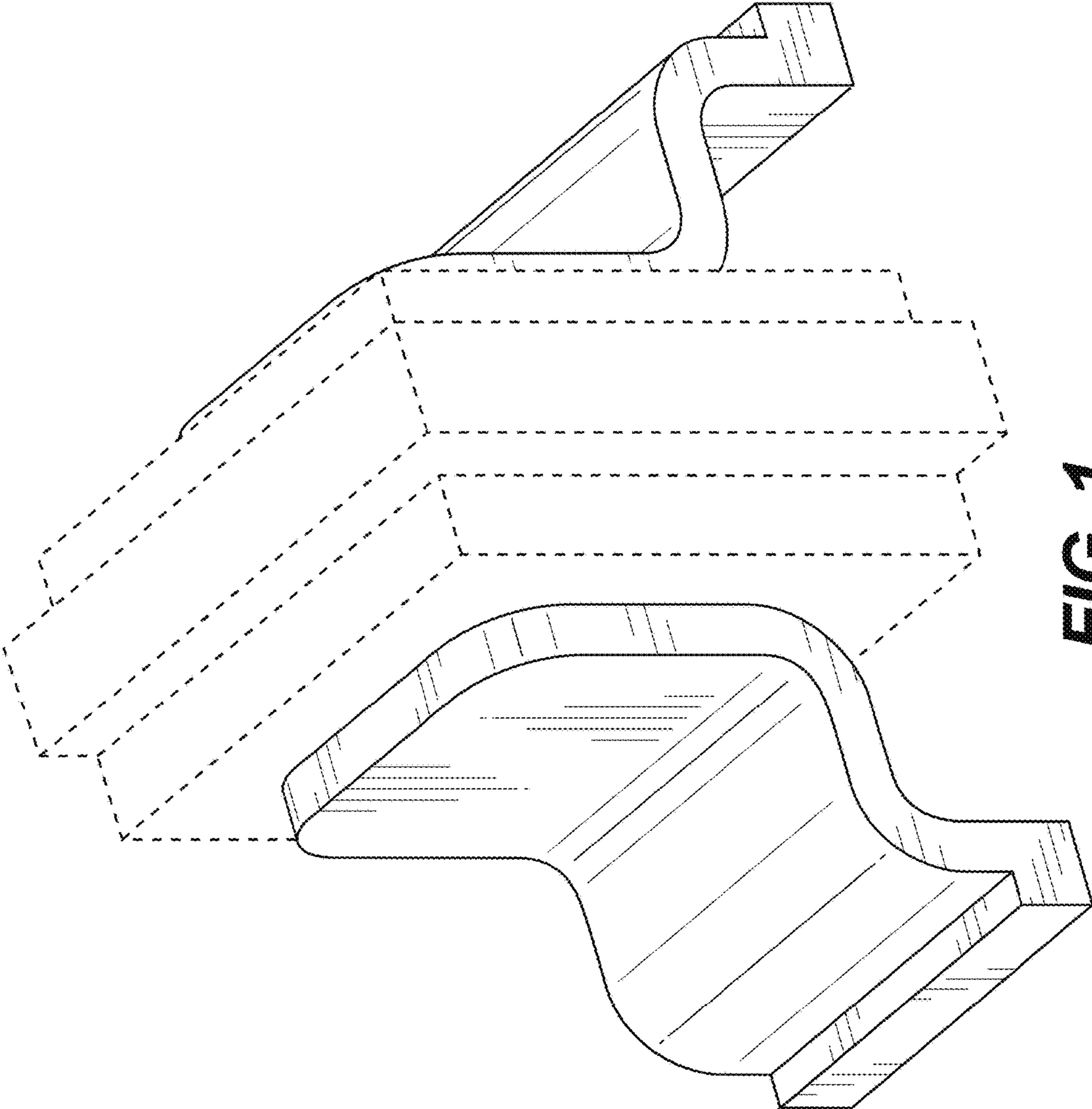


FIG. 1

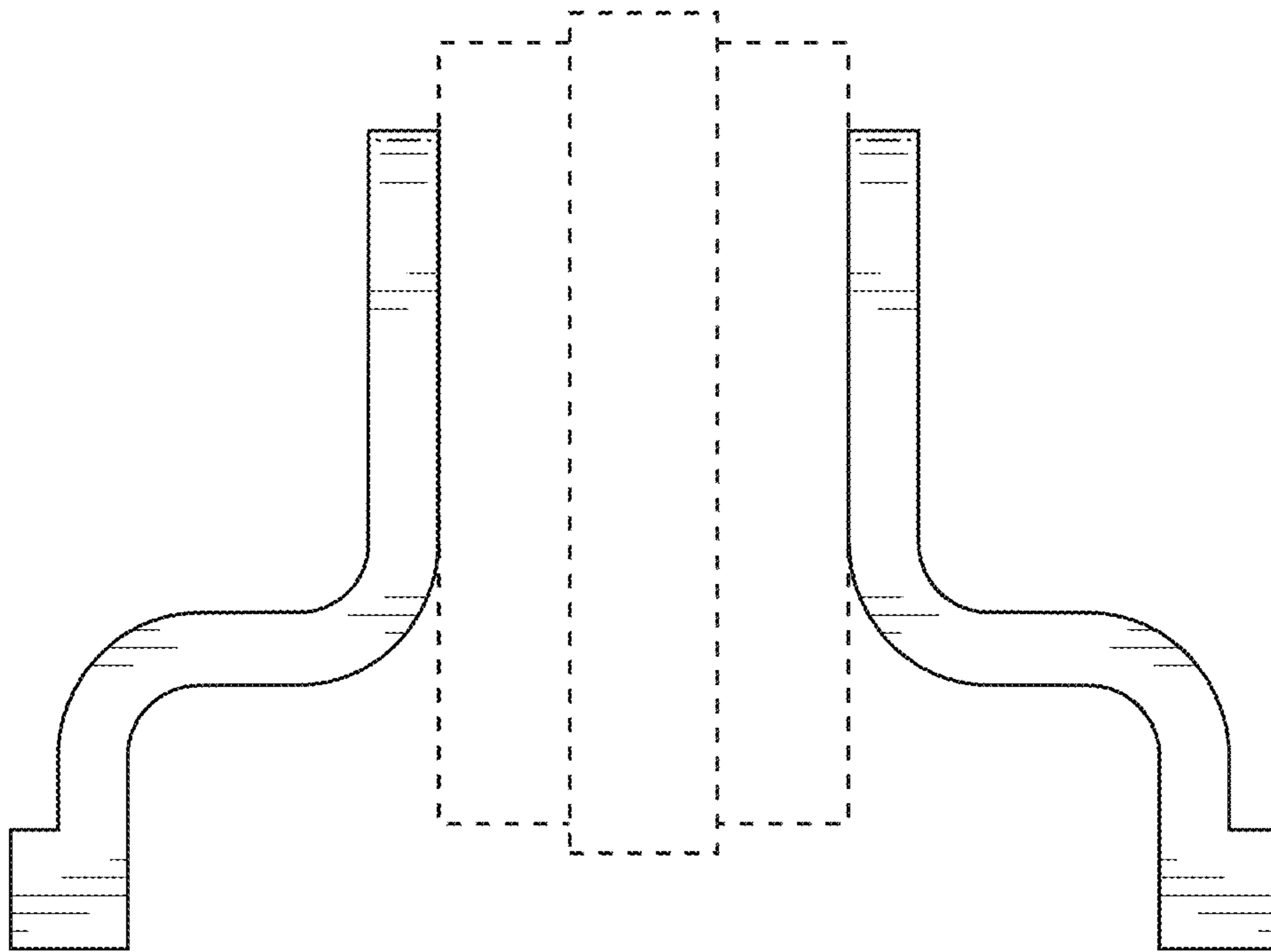


FIG. 2

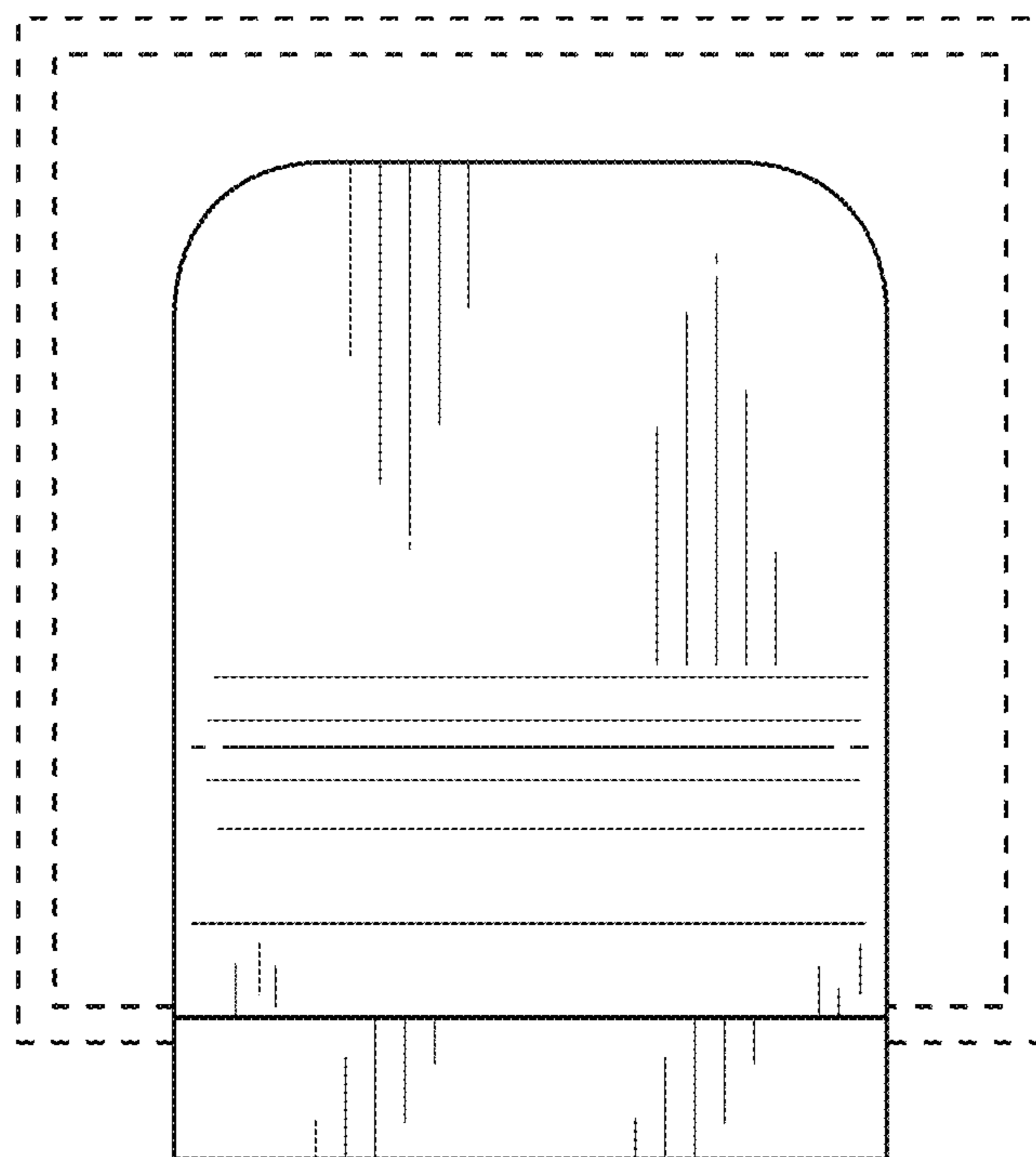


FIG. 3

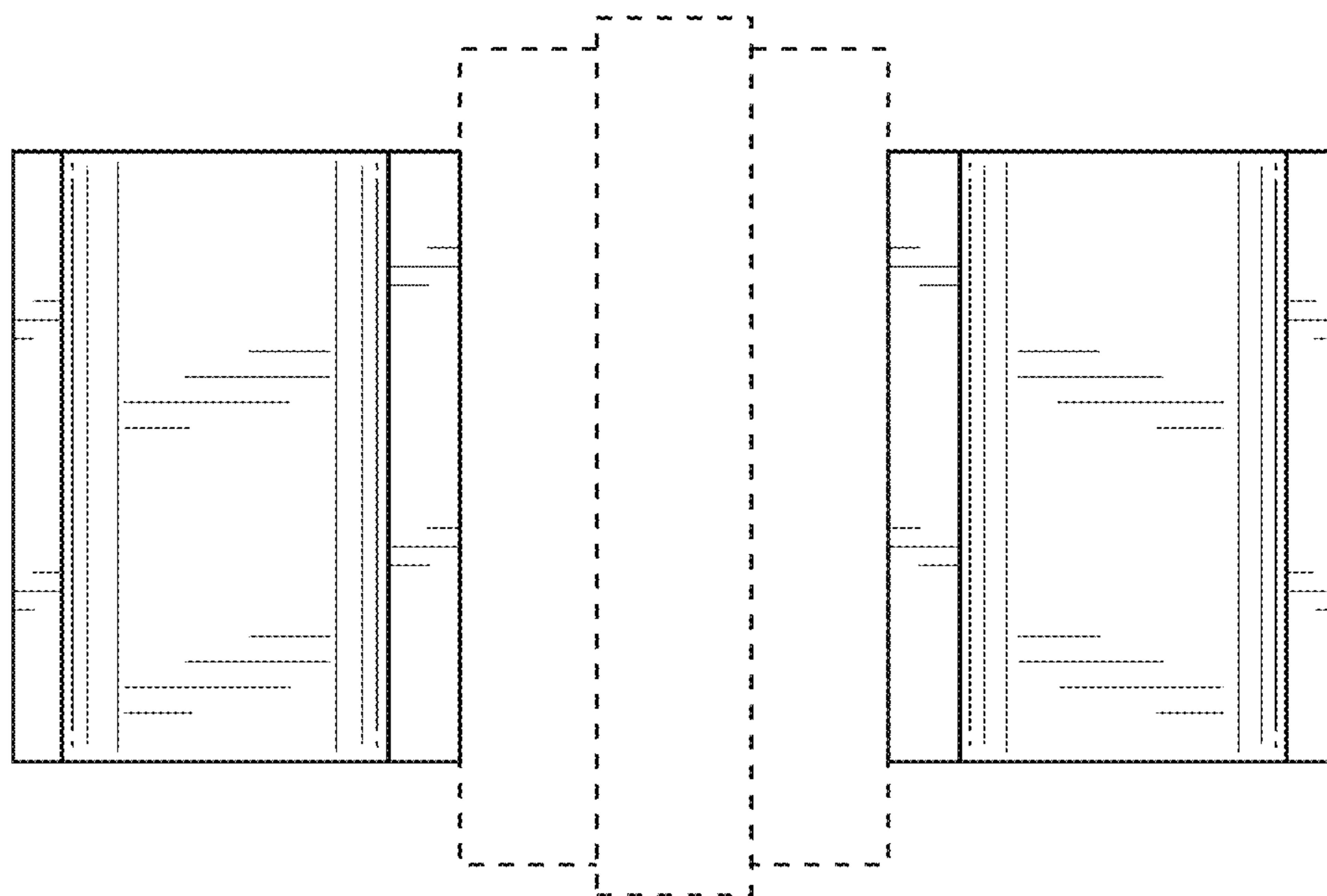


FIG. 4

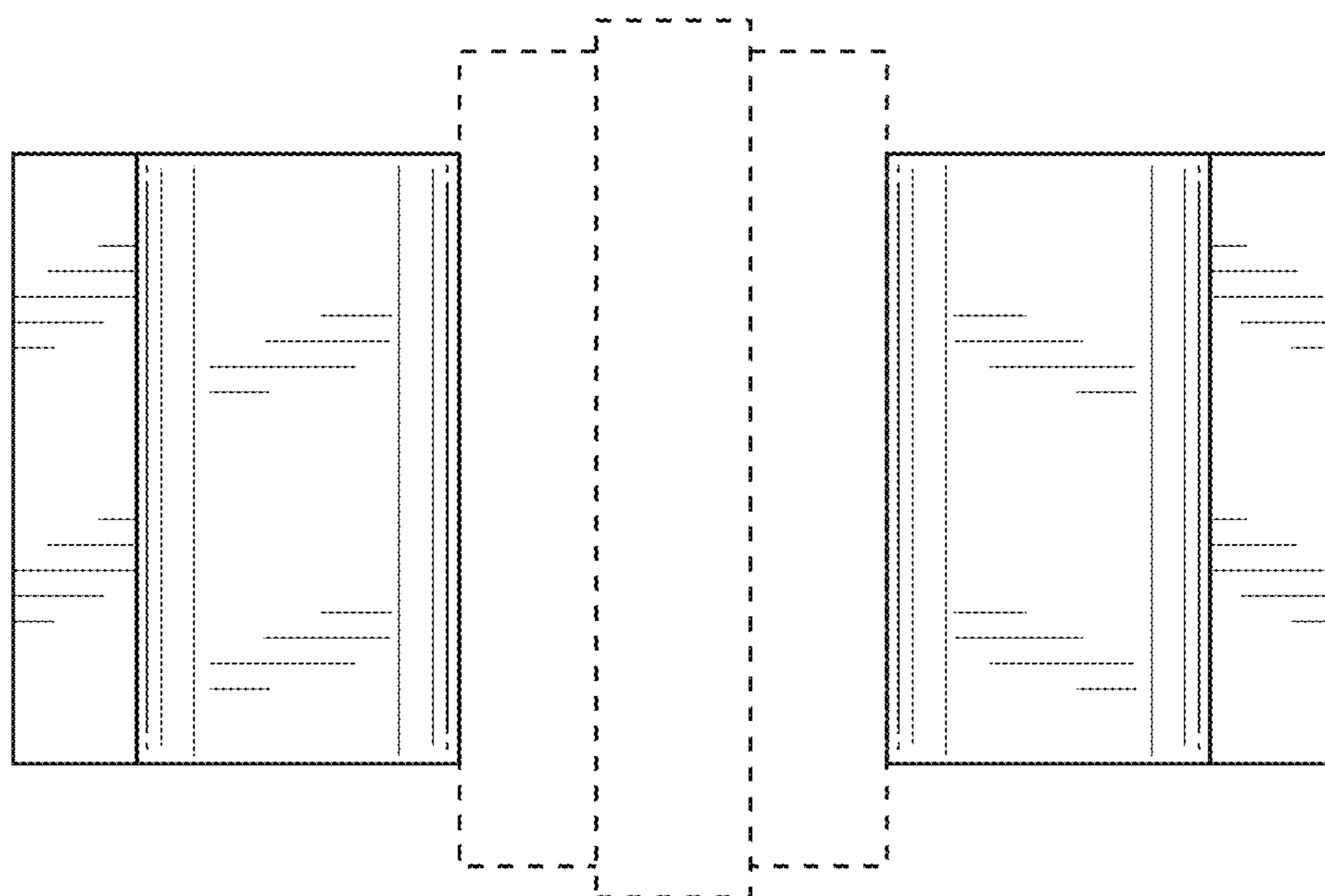


FIG. 5

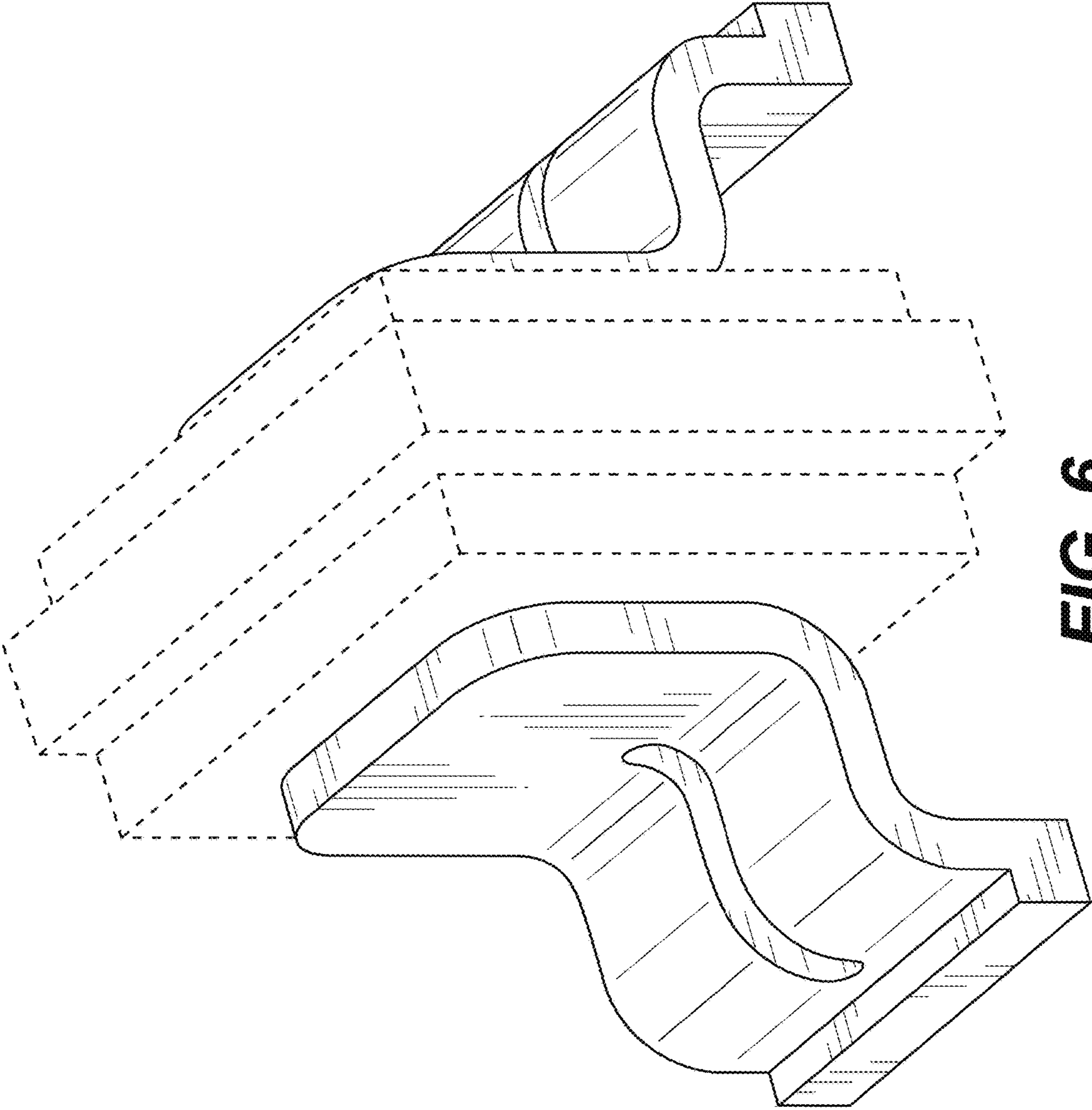


FIG. 6

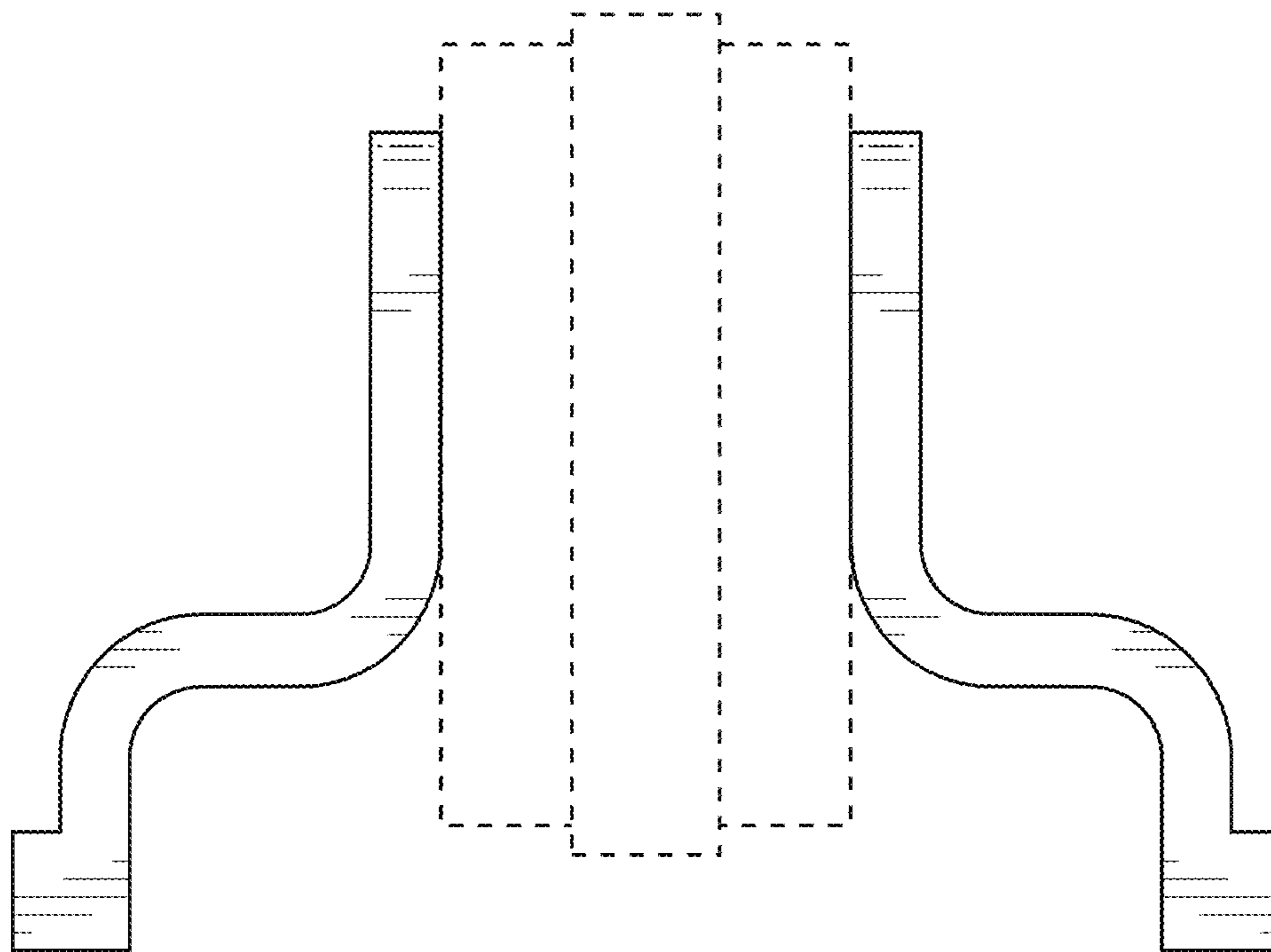


FIG. 7

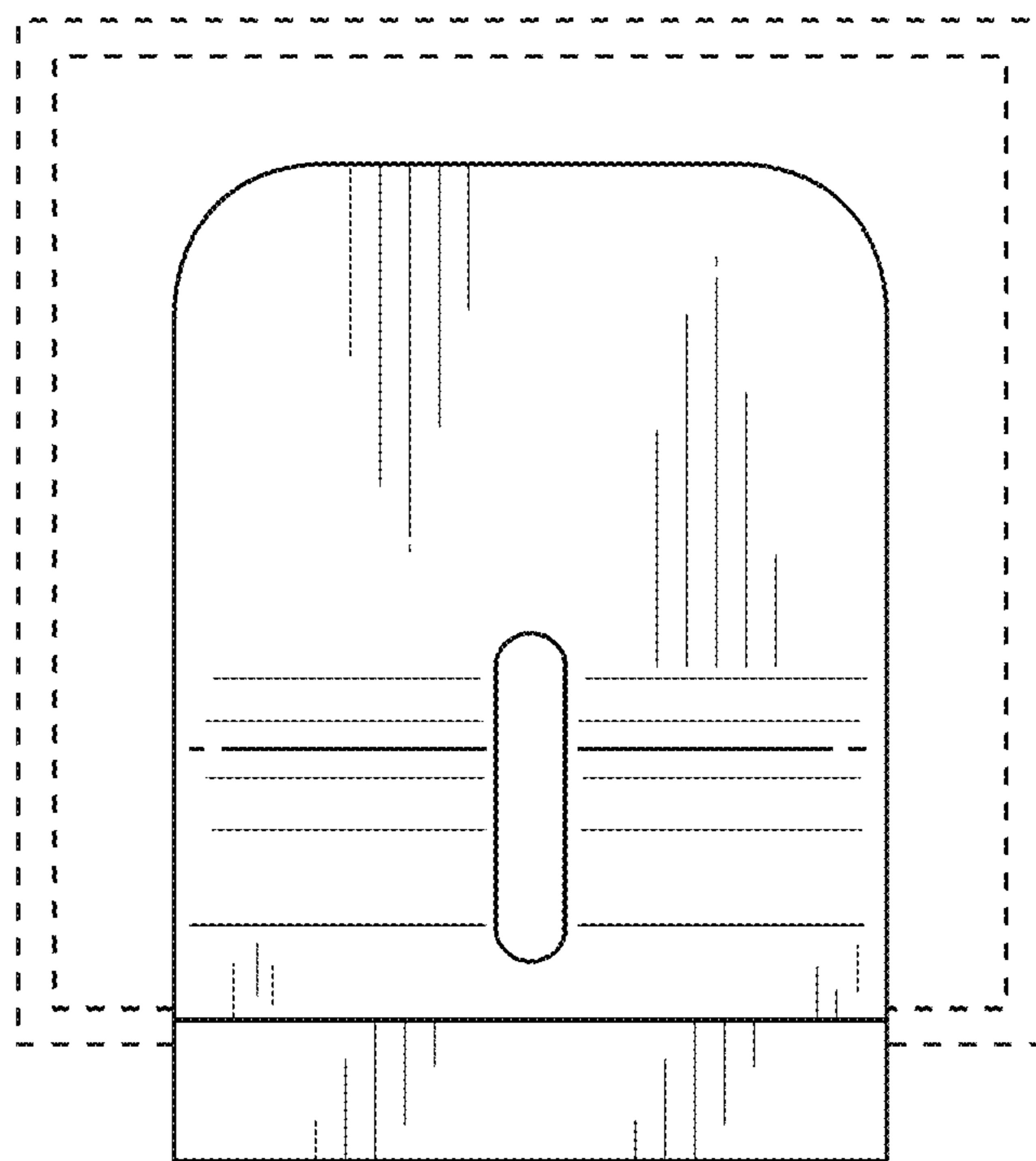


FIG. 8

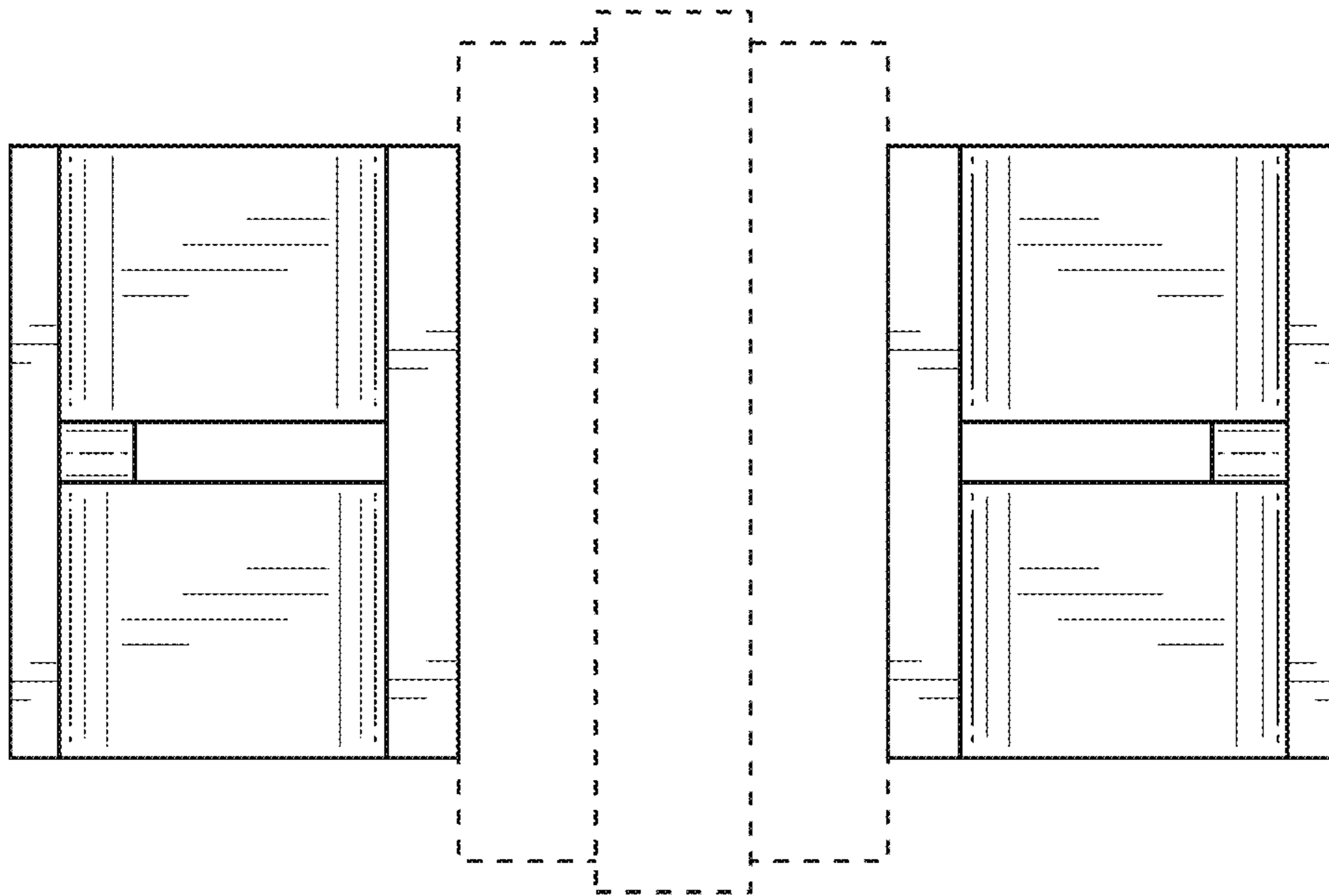


FIG. 9

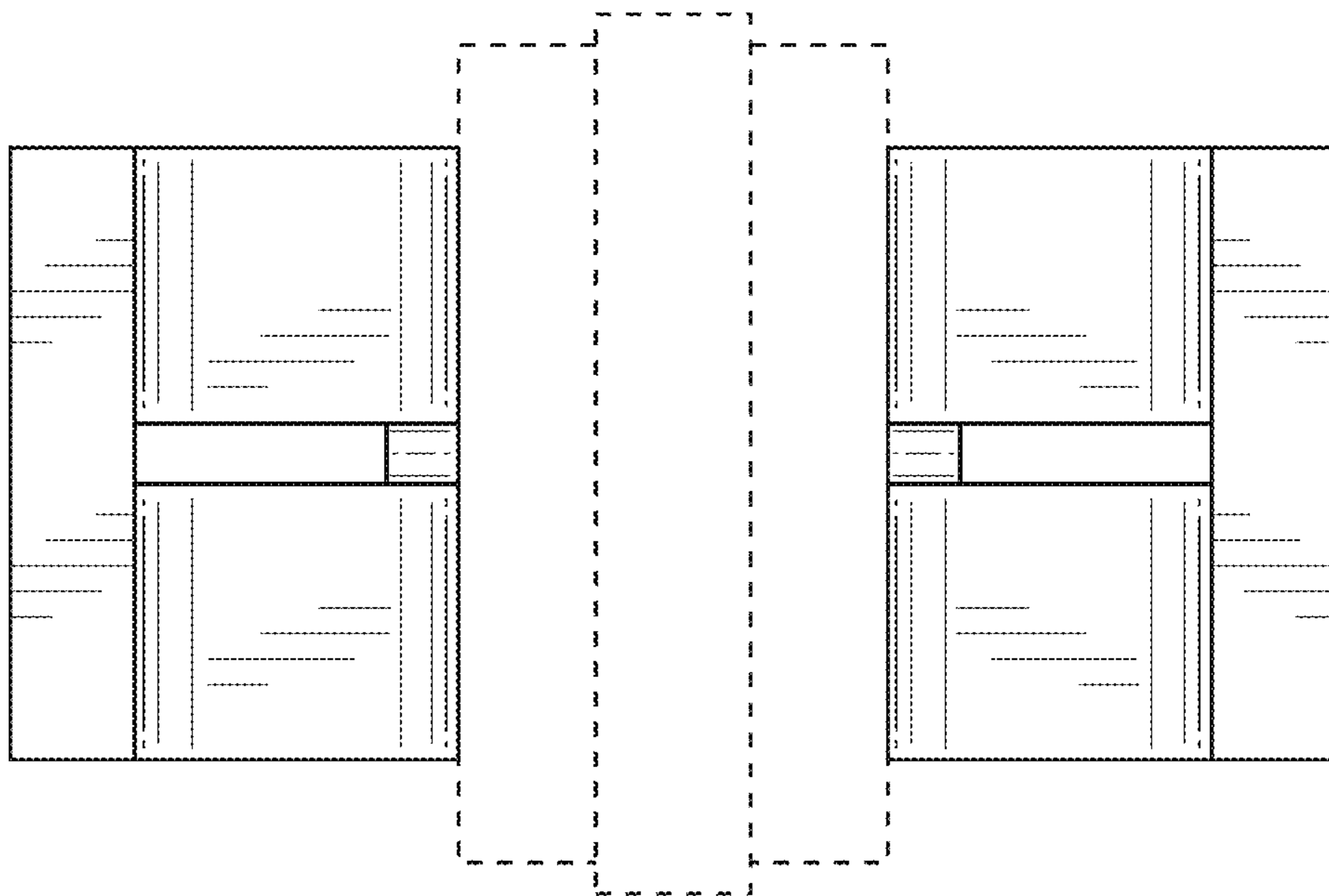


FIG. 10

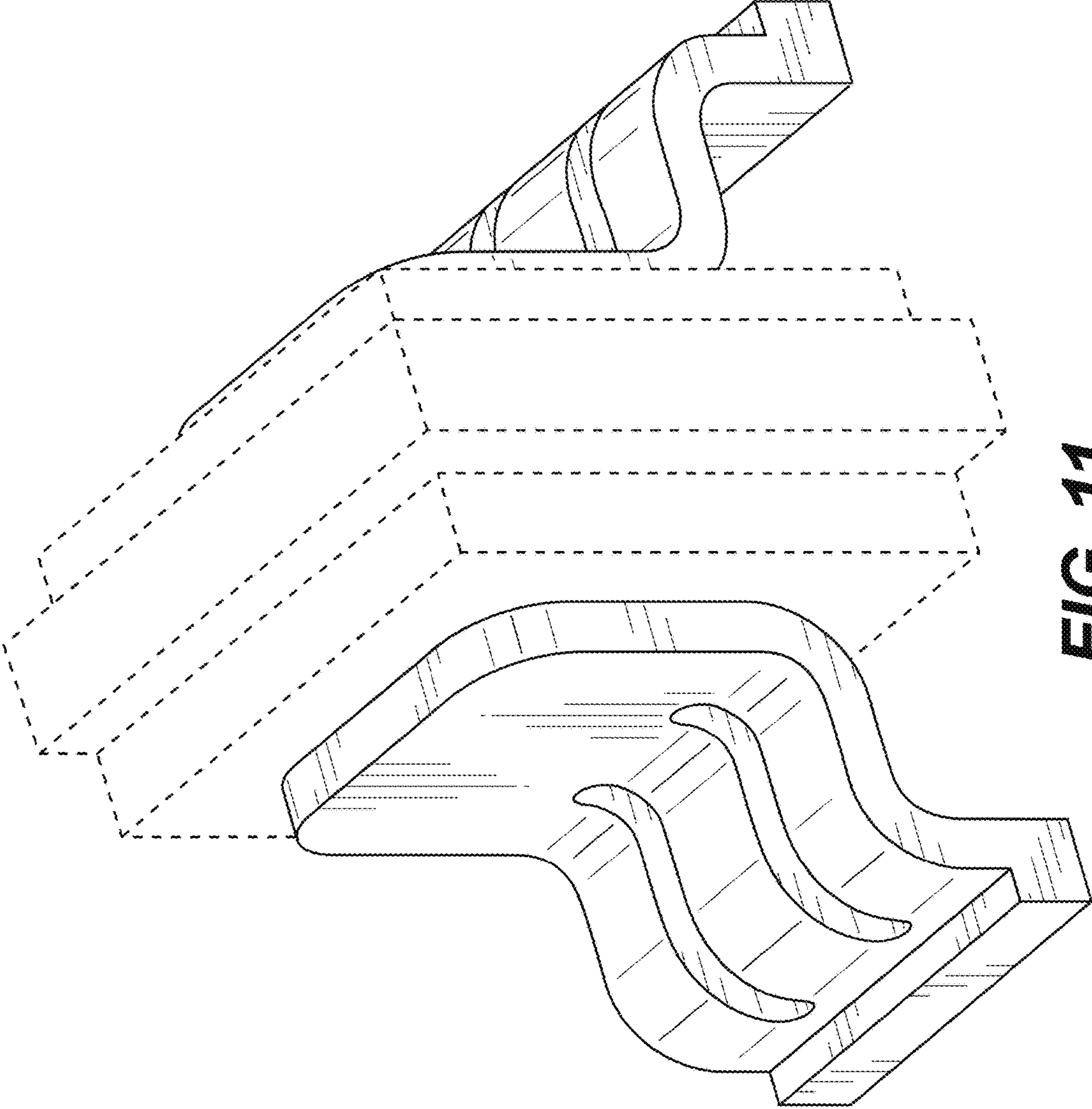


FIG. 11

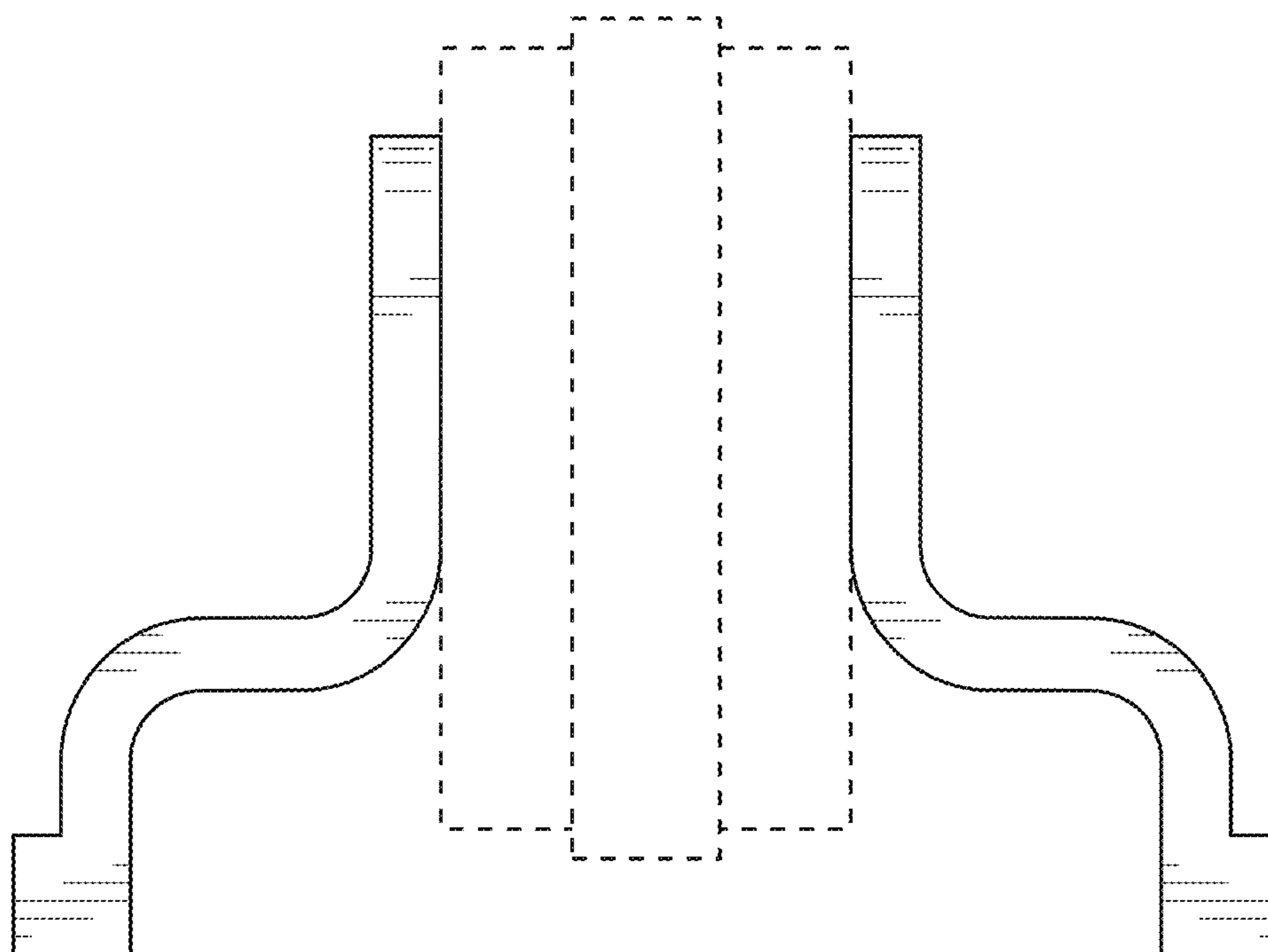


FIG. 12

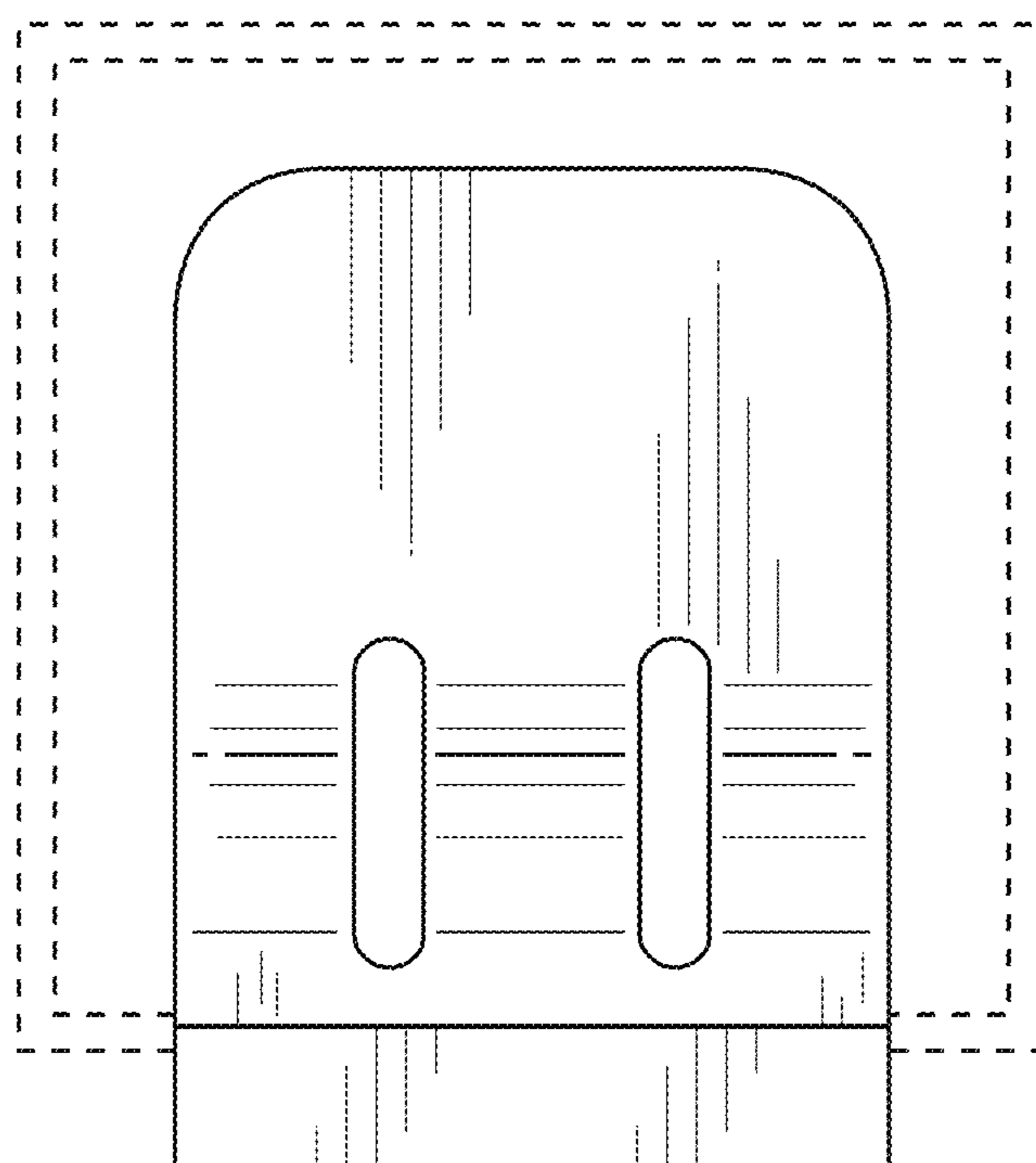


FIG. 13

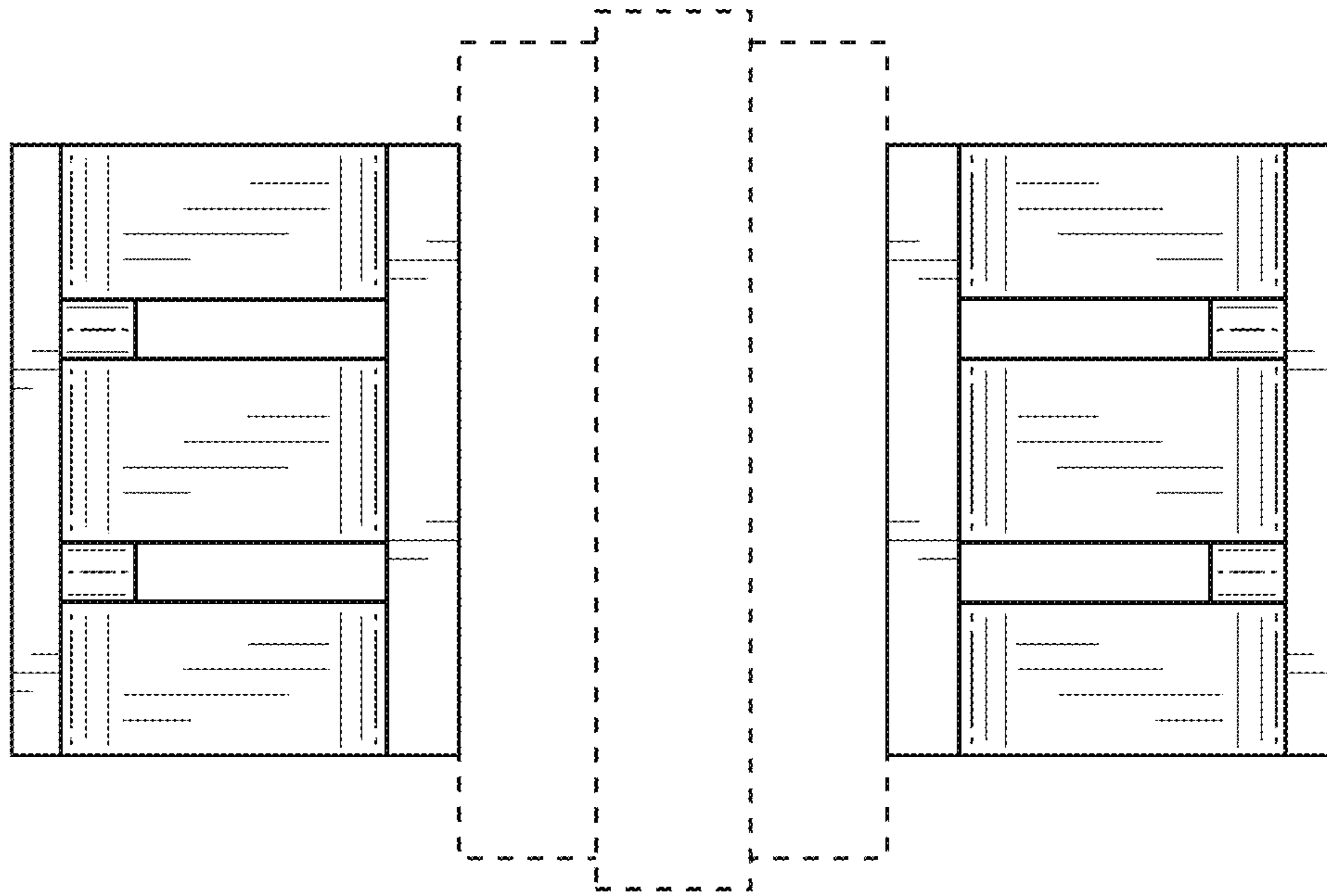


FIG. 14

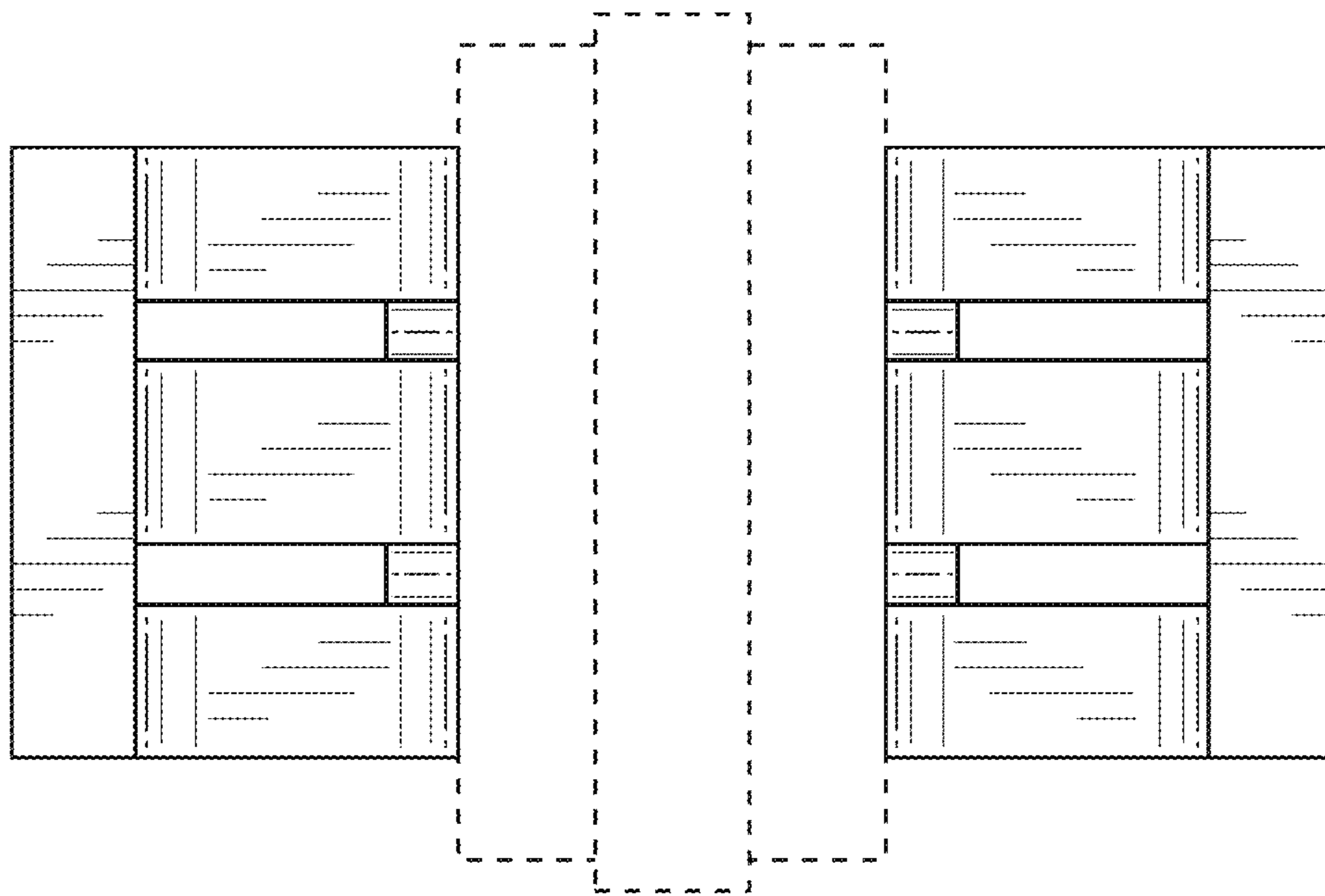


FIG. 15

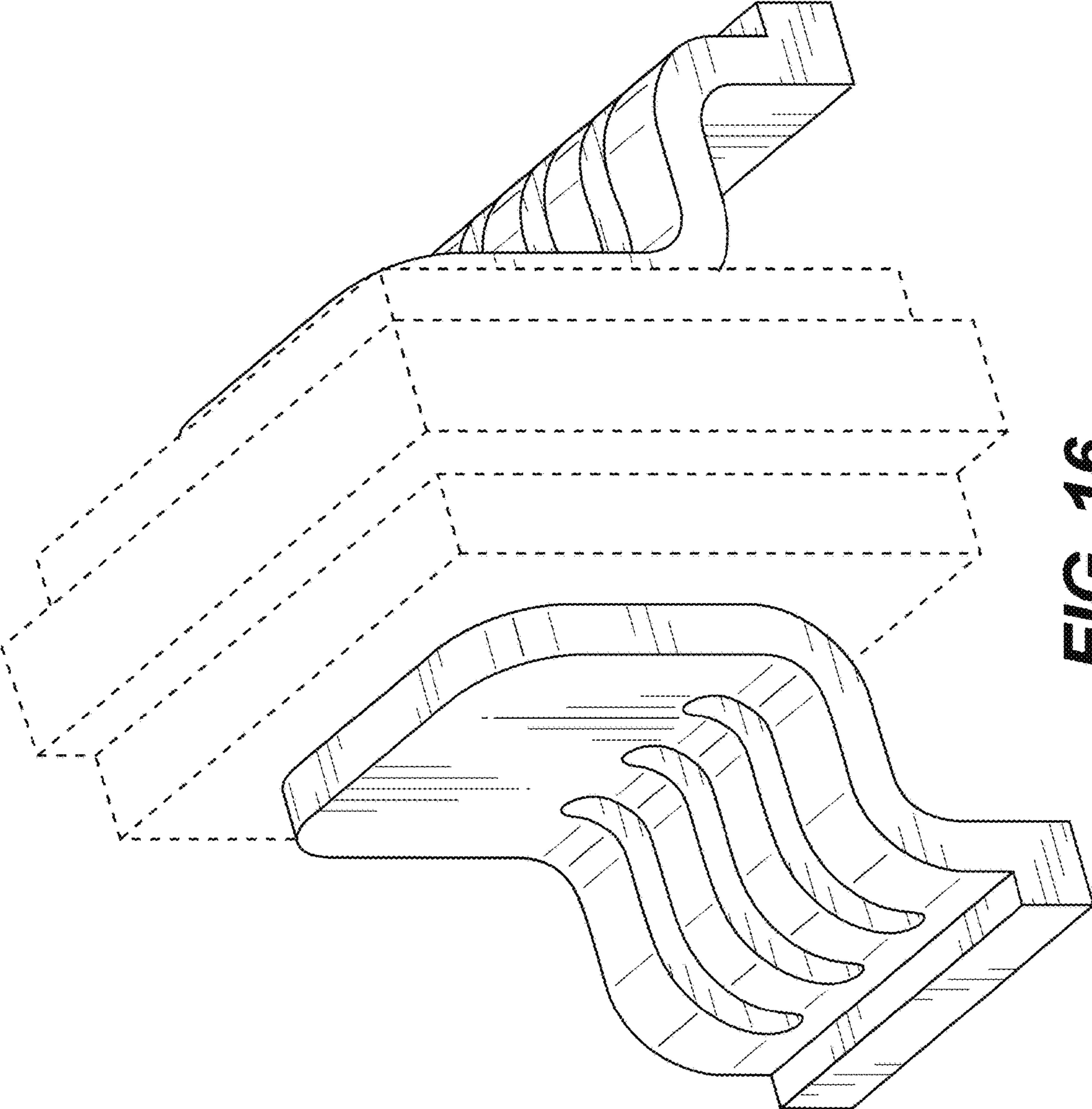


FIG. 16

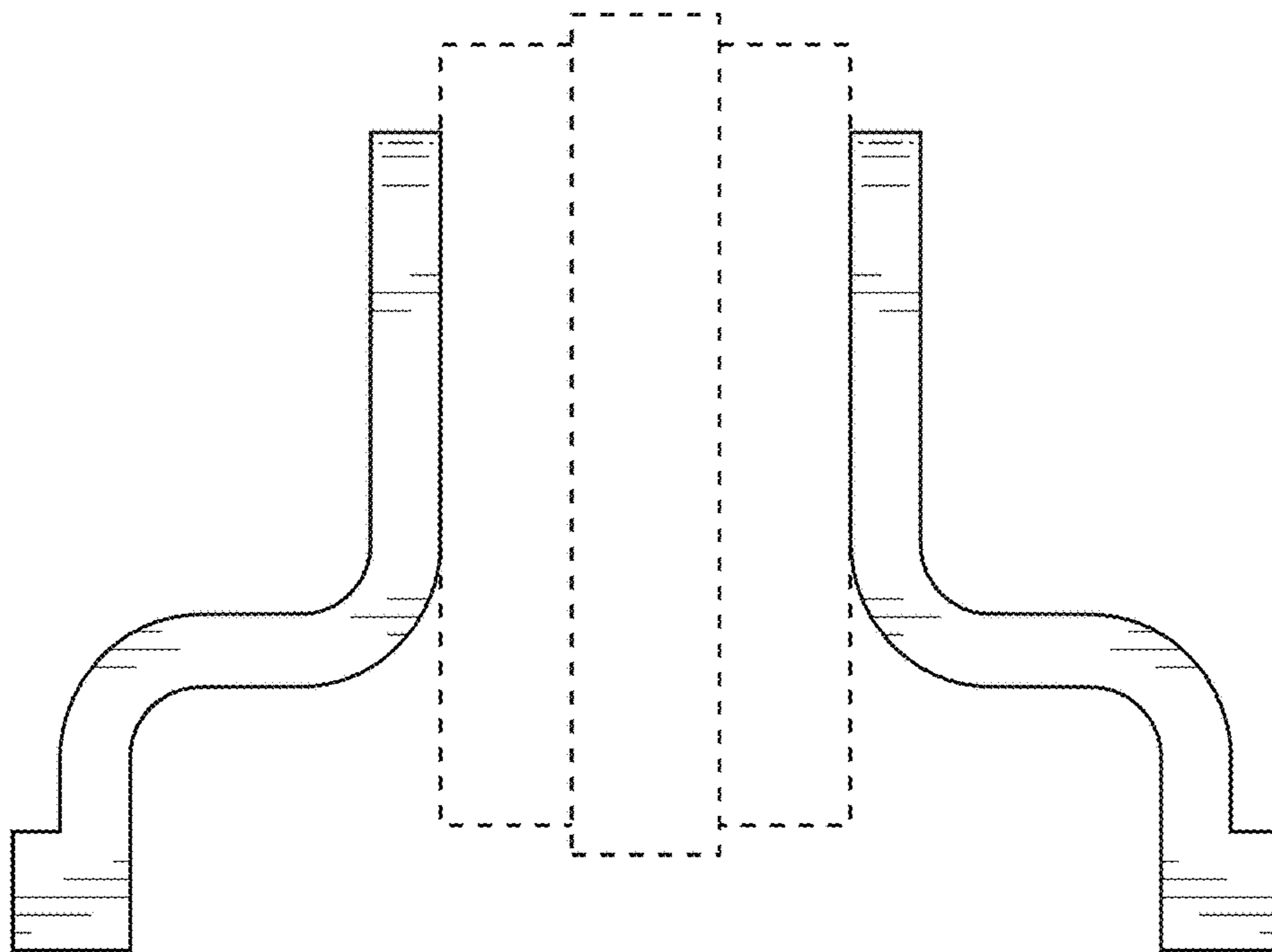


FIG. 17

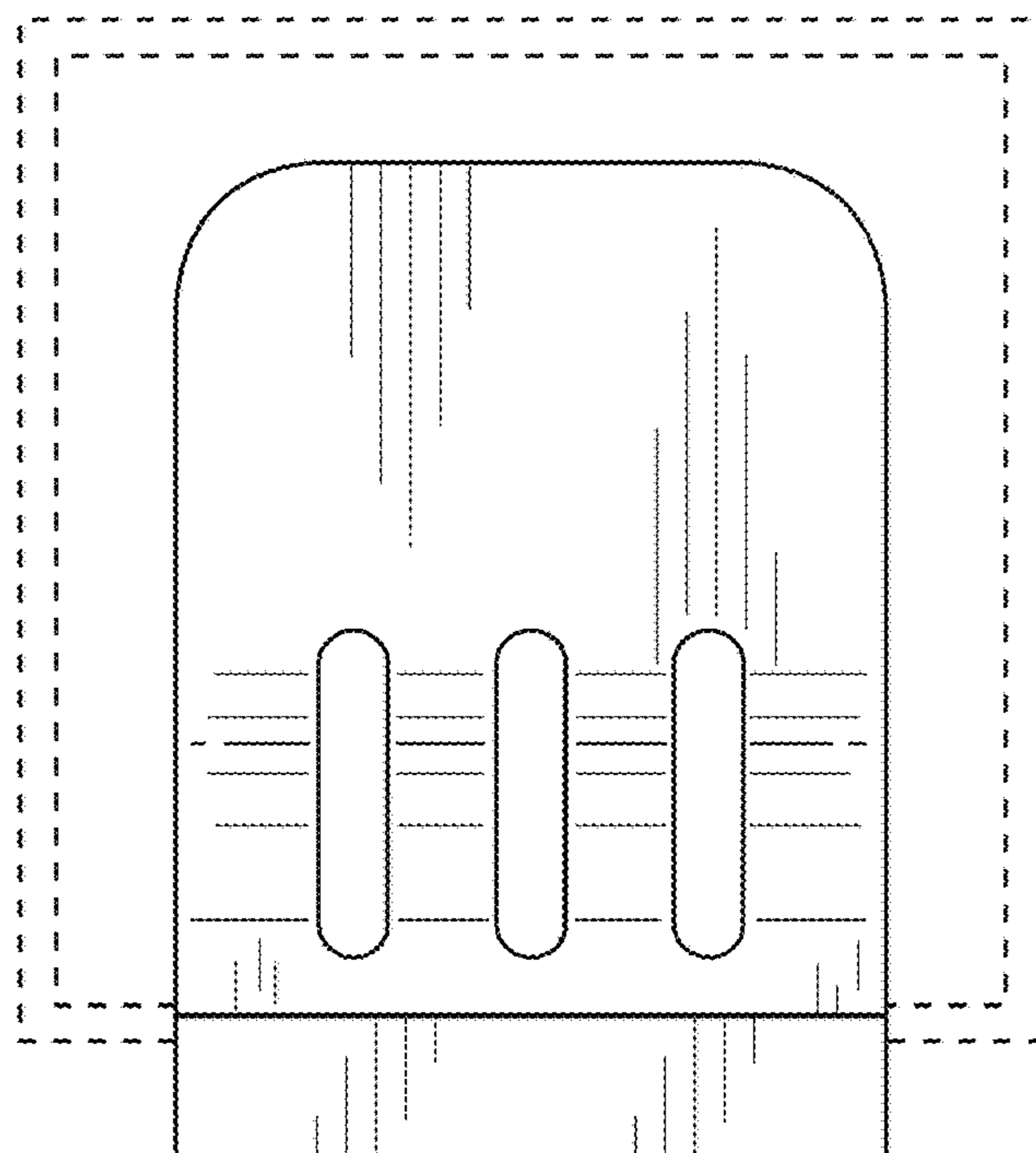


FIG. 18

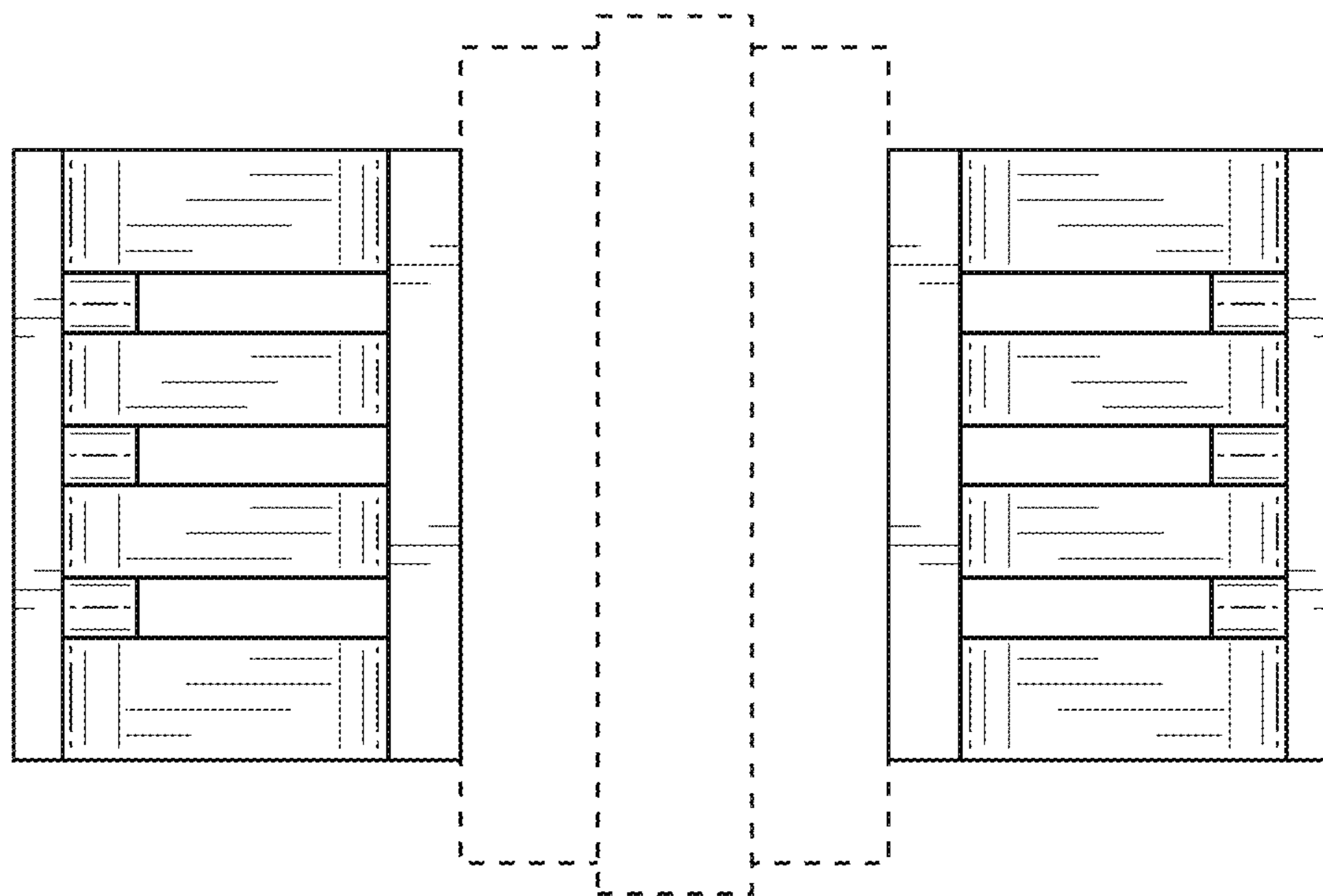


FIG. 19

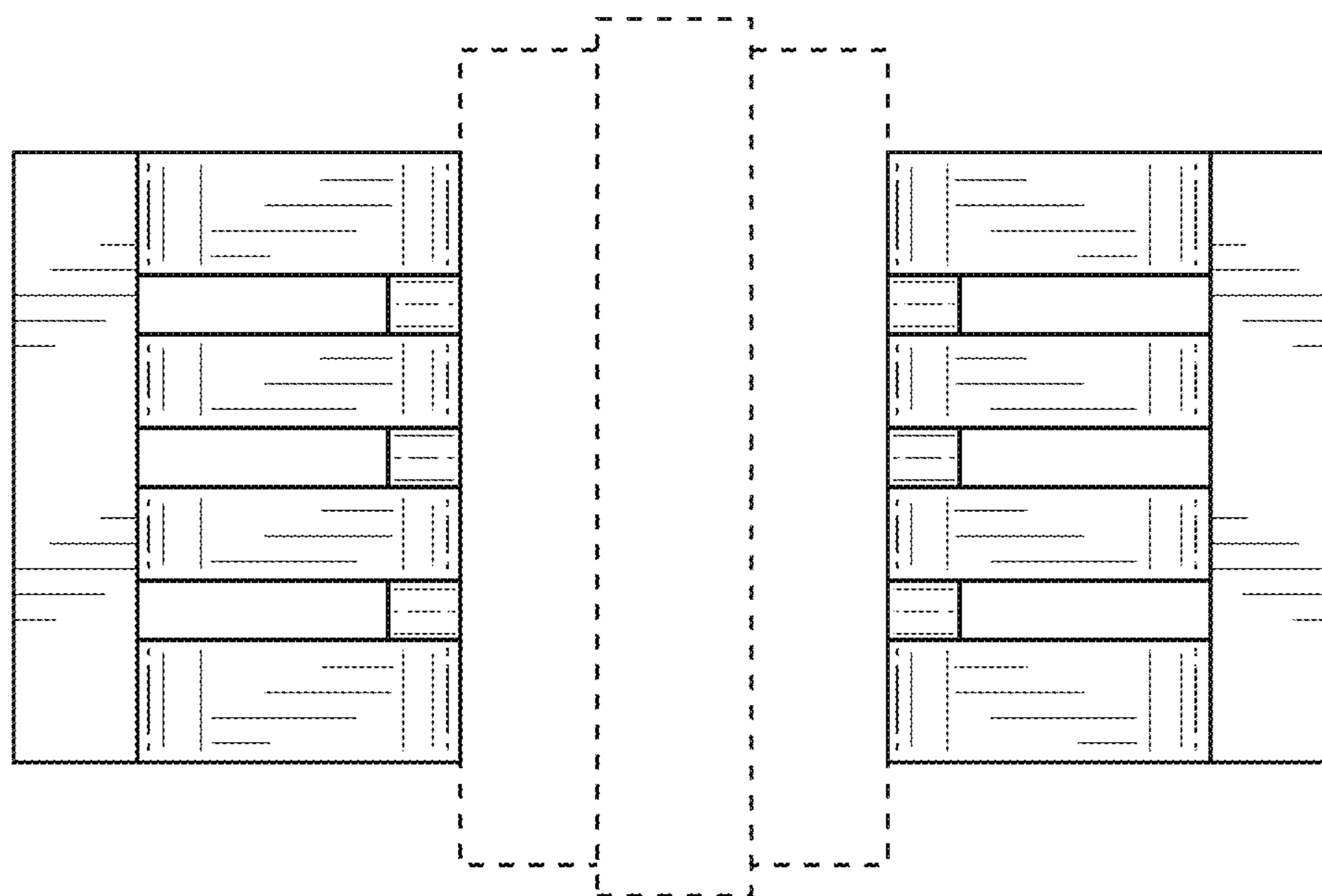


FIG. 20

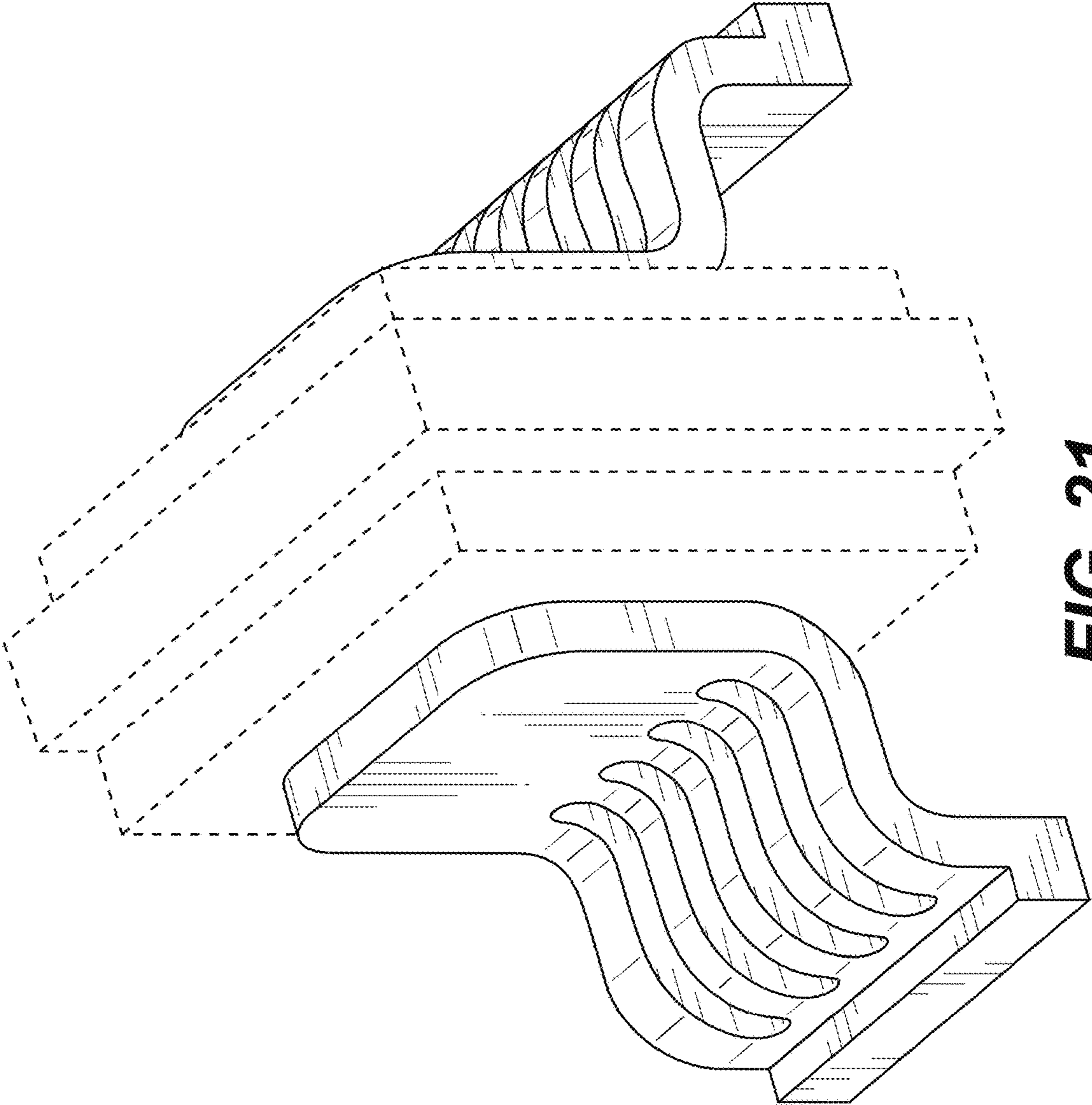


FIG. 21

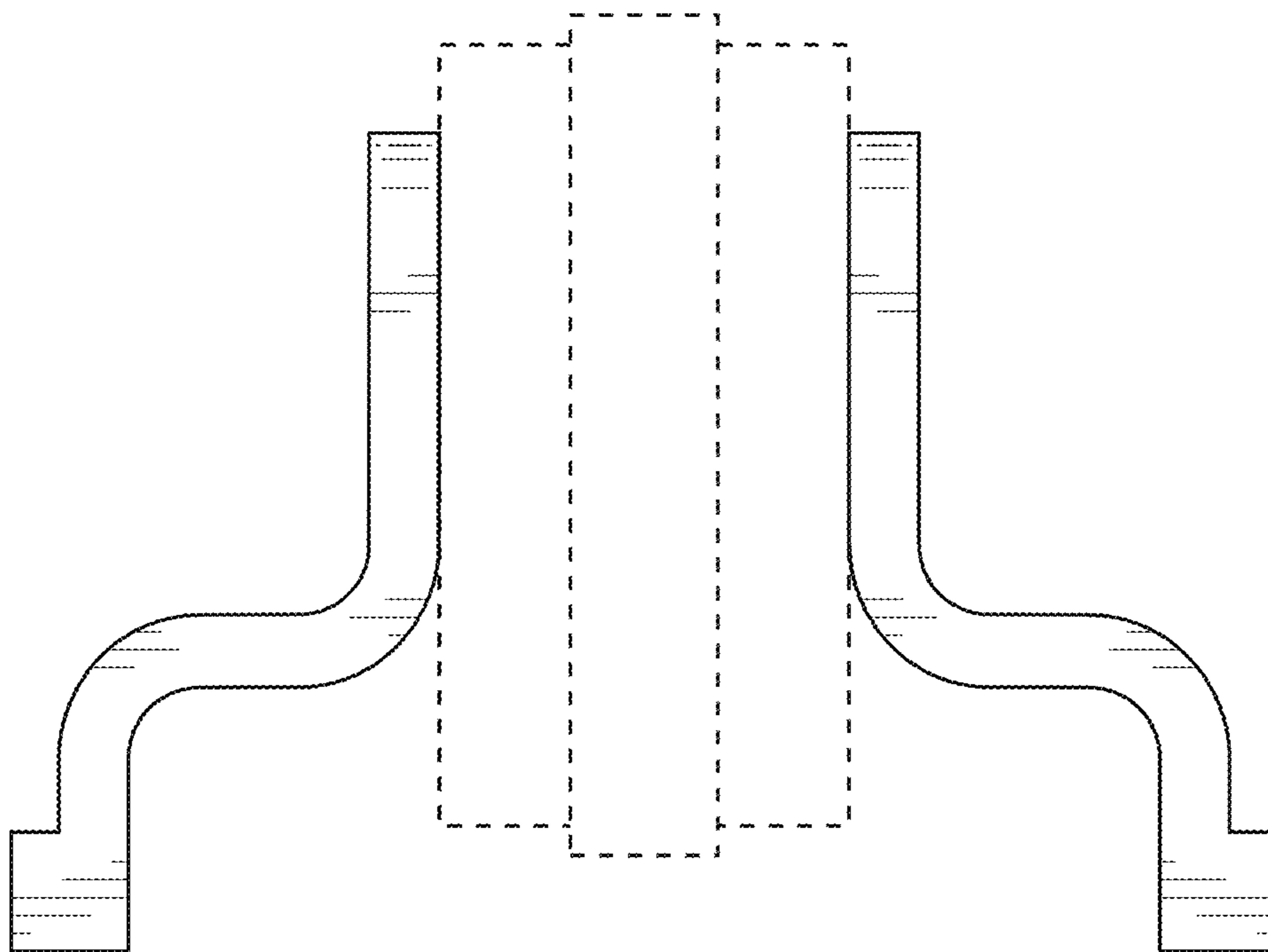


FIG. 22

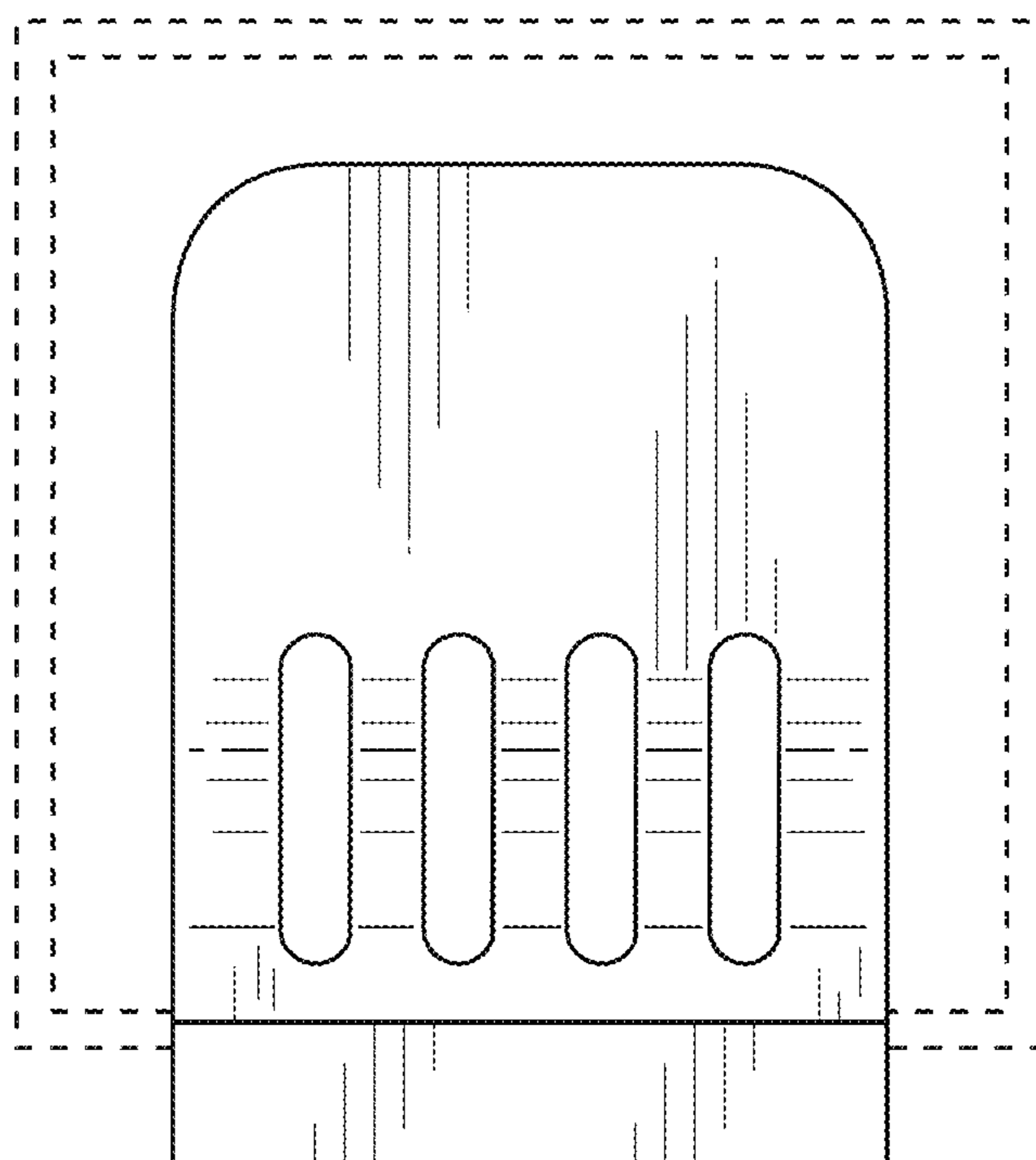


FIG. 23

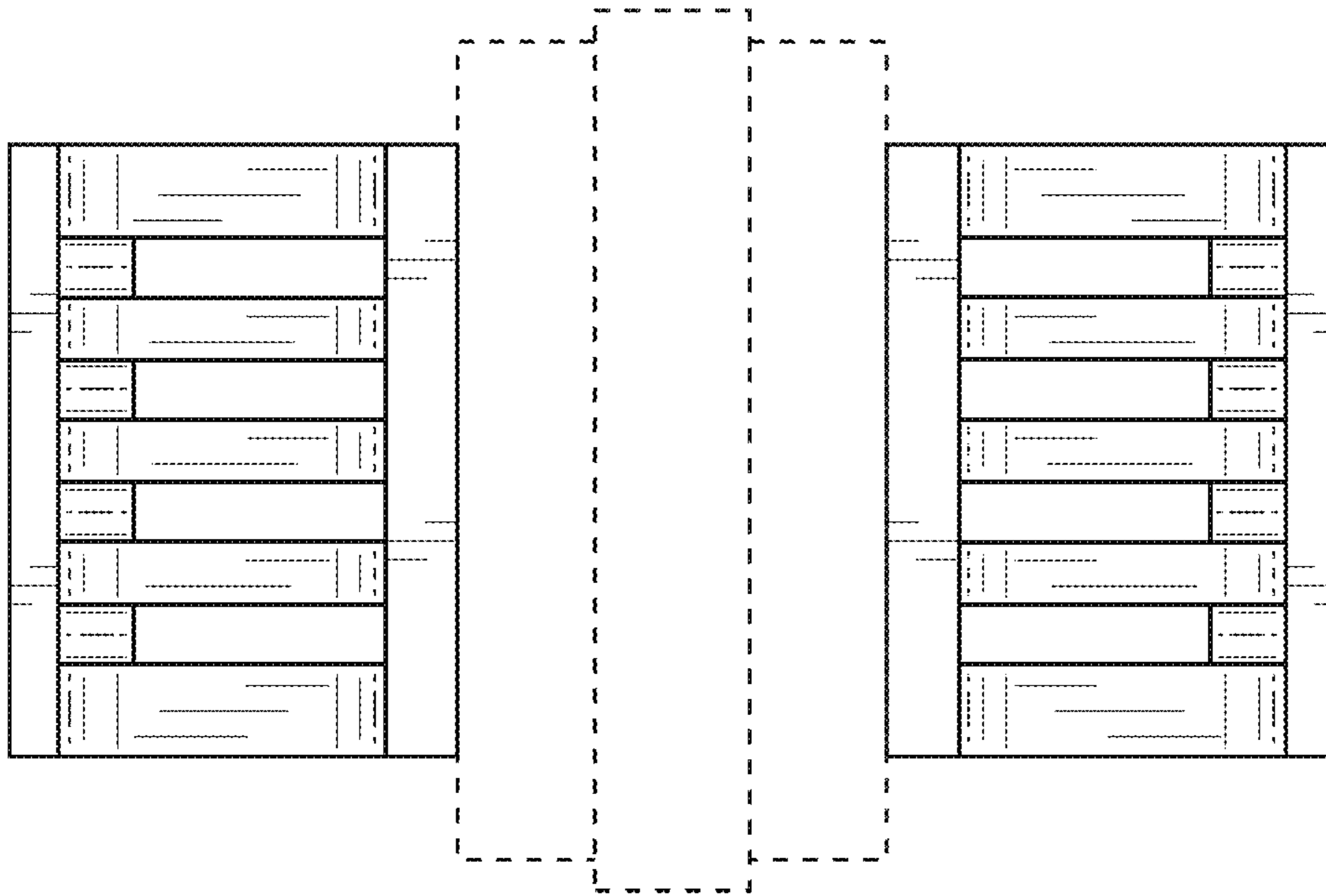


FIG. 24

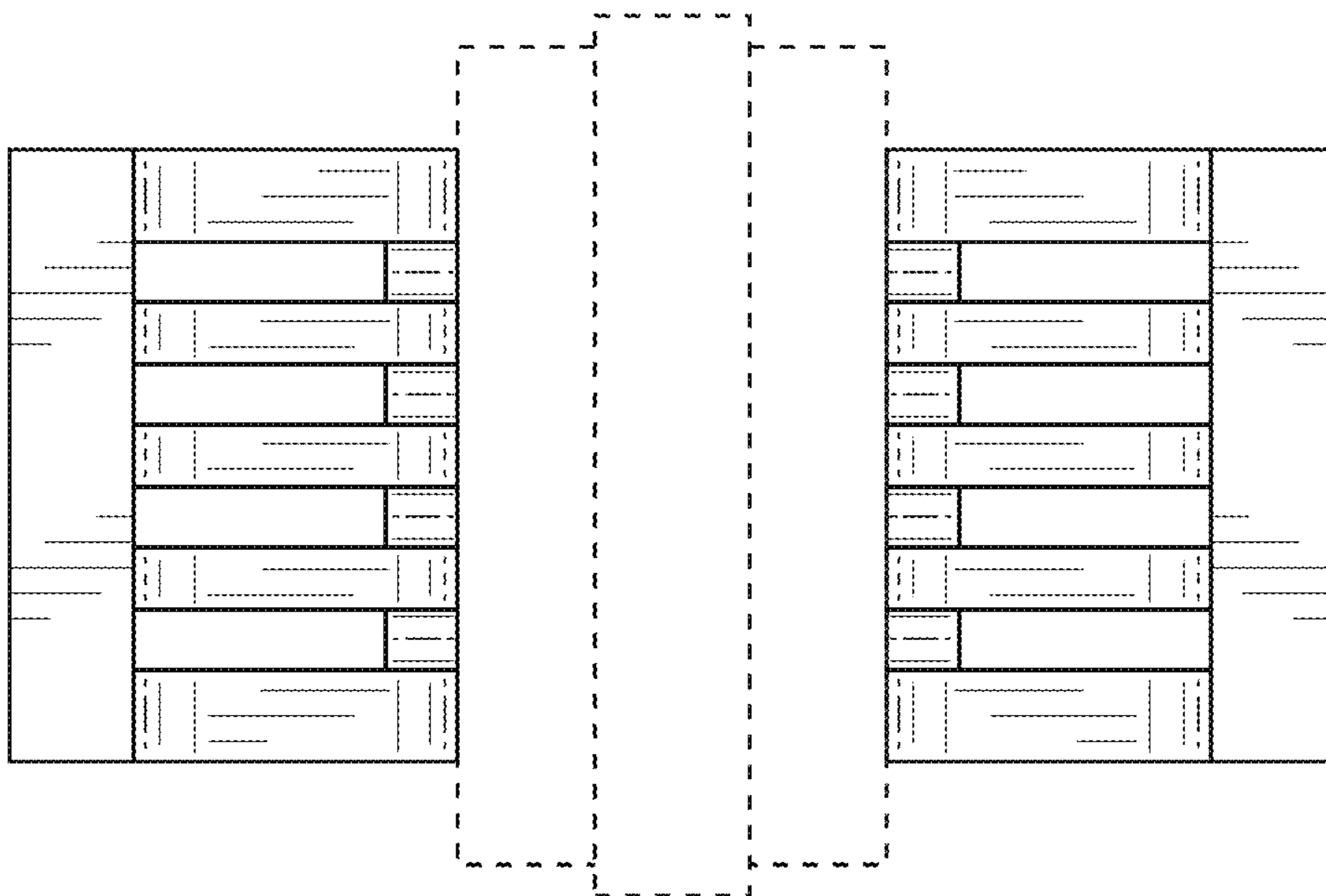


FIG. 25