



US00D803796S

(12) **United States Design Patent** (10) **Patent No.:** **US D803,796 S**  
**Au et al.** (45) **Date of Patent:** **\*\* Nov. 28, 2017**

(54) **SURFACE MOUNT DEVICE**

(71) Applicant: **RSM Electron Power, Inc.**, Deer Park, NY (US)

(72) Inventors: **Ching Au**, Garden City, NY (US);  
**David Peng**, Flushing, NY (US);  
**Dennis Zegzula**, East Patchogue, NY (US)

(73) Assignee: **RSM Electron Power, Inc.**, Deer Park, NY (US)

(\*\*) Term: **15 Years**

(21) Appl. No.: **29/573,694**

(22) Filed: **Aug. 9, 2016**

(51) **LOC (10) Cl.** ..... **13-03**

(52) **U.S. Cl.**  
USPC ..... **D13/180; D8/349**

(58) **Field of Classification Search**  
USPC ..... **D8/380, 349, 354, 363, 364, 366, 371, D8/372; D13/180, 184**

(Continued)

(56) **References Cited**

**U.S. PATENT DOCUMENTS**

5,528,079 A \* 6/1996 McIver ..... H01L 23/057  
257/698  
5,792,984 A \* 8/1998 Bloom ..... H01L 23/10  
174/536

(Continued)

*Primary Examiner* — Mark Goodwin

(74) *Attorney, Agent, or Firm* — Fitzpatrick, Cella, Harper & Scinto

(57) **CLAIM**

The ornamental design for surface mount device, as shown and described.

**DESCRIPTION**

FIG. 1 is a perspective view of a first embodiment of the surface mount device.

FIG. 2 is a front elevational view of the surface mount device shown in FIG. 1, with the rear elevational view (not shown) being a mirror image of the front elevational view. FIG. 3 is a left side elevational view of the surface mount device shown in FIG. 1, with the right side elevational view (not shown) being a mirror image of the left side view. FIG. 4 is a top view of the surface mount device shown in FIG. 1.

FIG. 5 is a bottom view of the surface mount device shown in FIG. 1.

FIG. 6 is a perspective view of a second embodiment of the surface mount device.

FIG. 7 is a front elevational view of the surface mount device shown in FIG. 6, with the rear elevational view (not shown) being a mirror image of the front elevational view.

FIG. 8 is a left side elevational view of the surface mount device shown in FIG. 6, with the right side elevational view (not shown) being a mirror image of the left side view.

FIG. 9 is a top view of the surface mount device shown in FIG. 6.

FIG. 10 is a bottom view of the surface mount device shown in FIG. 6.

FIG. 11 is a perspective view of a third embodiment of the surface mount device.

FIG. 12 is a front elevational view of the surface mount device shown in FIG. 11, with the rear elevational view (not shown) being a mirror image of the front elevational view.

FIG. 13 is a left side elevational view of the surface mount device shown in FIG. 11, with the right side elevational view (not shown) being a mirror image of the left side view.

FIG. 14 is a top view of the surface mount device shown in FIG. 11.

FIG. 15 is a bottom view of the surface mount device shown in FIG. 11.

FIG. 16 is a perspective view of a fourth embodiment of the surface mount device.

FIG. 17 is a front elevational view of the surface mount device shown in FIG. 16, with the rear elevational view (not shown) being a mirror image of the front elevational view.

FIG. 18 is a left side elevational view of the surface mount device shown in FIG. 16, with the right side elevational view (not shown) being a mirror image of the left side view.

FIG. 19 is a top view of the surface mount device shown in FIG. 16.

(Continued)

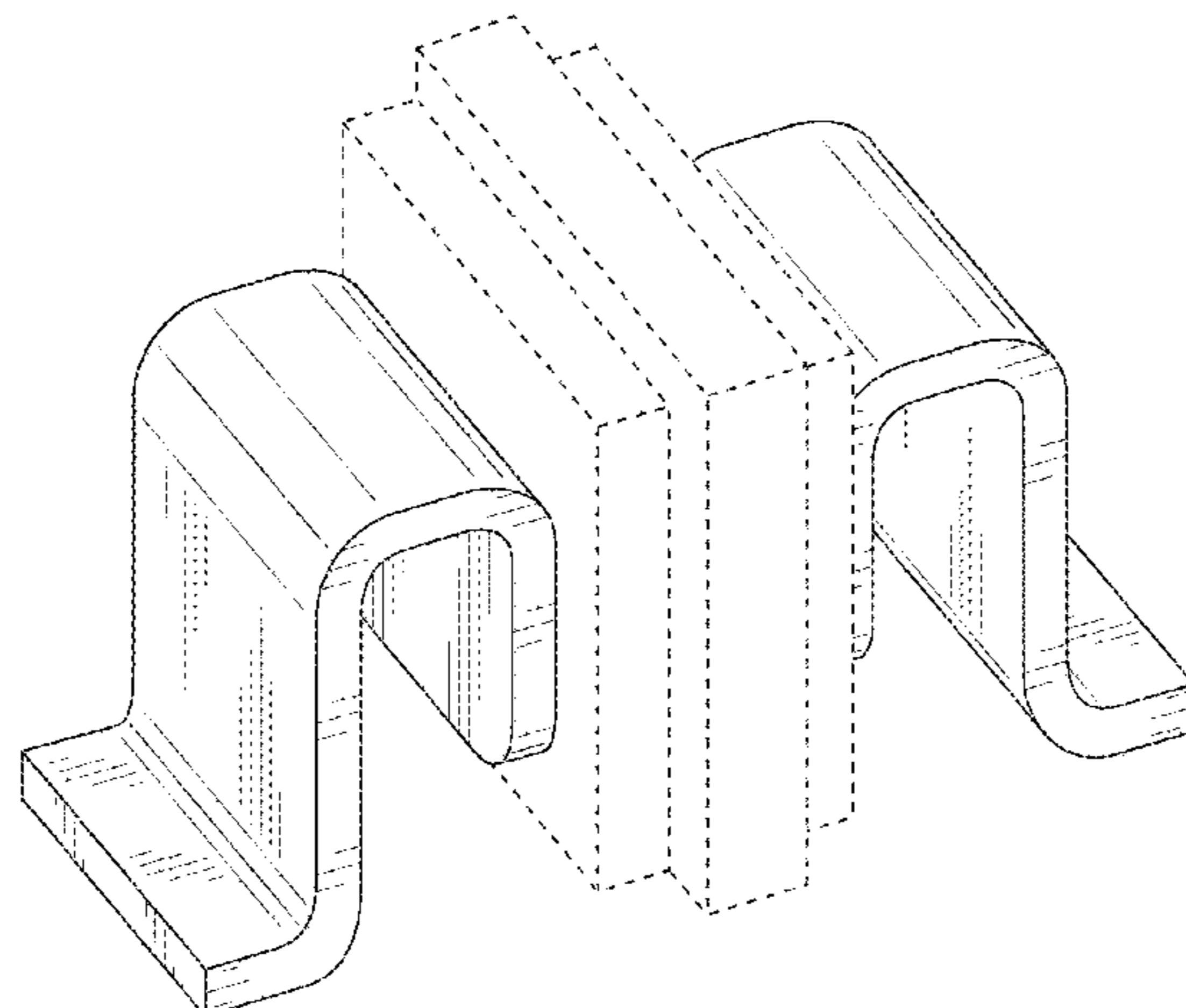


FIG. 20 is a bottom view of the surface mount device shown in FIG. 16.

FIG. 21 is a perspective view of a fifth embodiment of the surface mount device.

FIG. 22 is a front elevational view of the surface mount device shown in FIG. 21, with the rear elevational view (not shown) being a mirror image of the front elevational view.

FIG. 23 is a left side elevational view of the surface mount device shown in FIG. 21, with the right side elevational view (not shown) being a mirror image of the left side view.

FIG. 24 is a top view of the surface mount device shown in FIG. 21; and,

FIG. 25 is a bottom view of the surface mount device shown in FIG. 21.

The broken lines shown in the drawings are included for the purpose of illustrating the environment in which the article resides and form no part of the claimed design.

**1 Claim, 15 Drawing Sheets**

**(58) Field of Classification Search**

CPC ..... H05K 5/066; H05K 5/03; H05K 1/0271;  
H05K 1/03; H05K 1/09; H05K 1/181;  
H01L 23/055; H01L 23/10; H01L 23/043;  
H01L 2224/48091; H01L 2224/48472;  
H01L 2224/49111; H01L 2224/00014

See application file for complete search history.

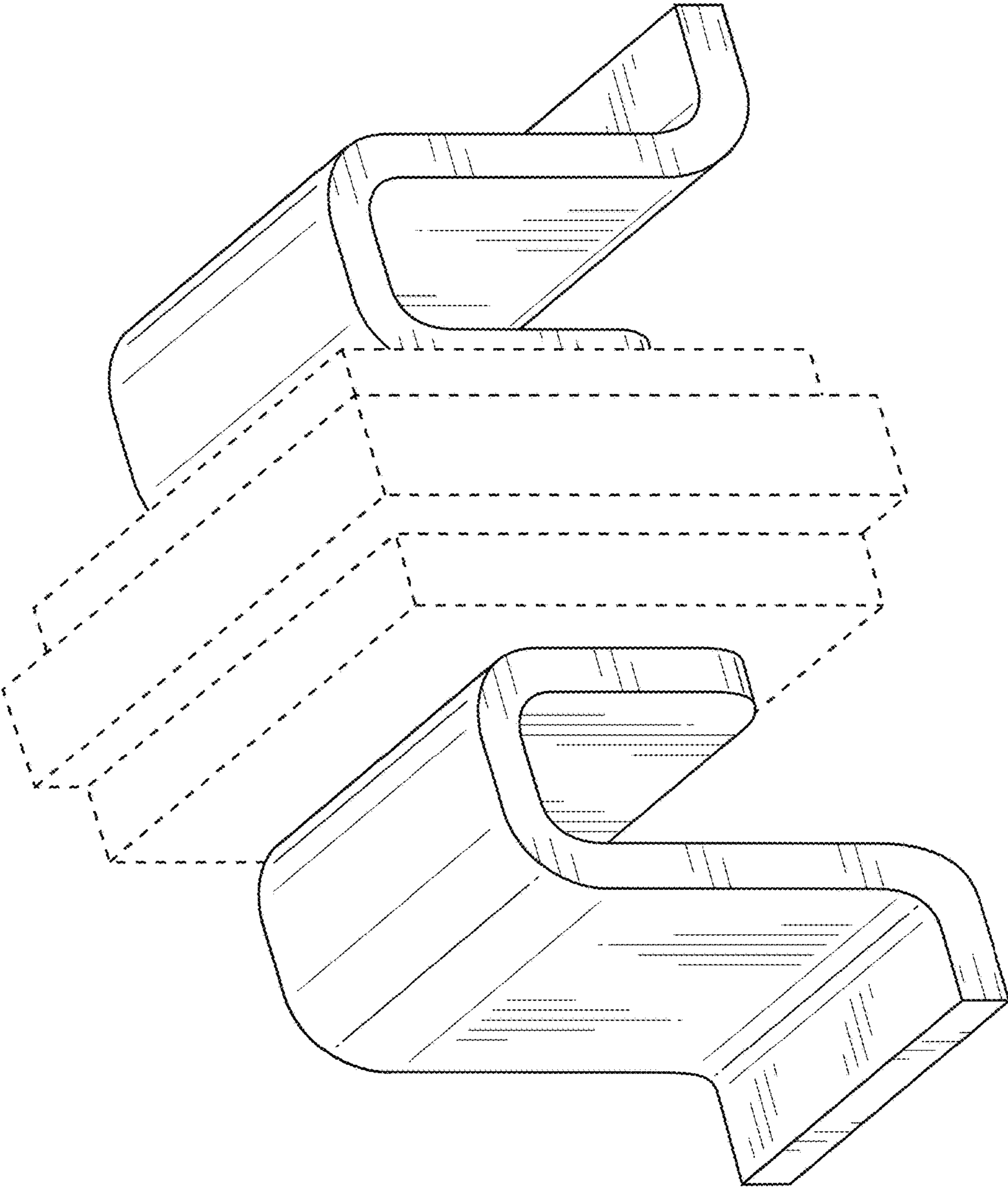
**(56) References Cited**

U.S. PATENT DOCUMENTS

D453,745 S \* 2/2002 Suenaga ..... D13/180  
D471,165 S \* 3/2003 Williams ..... D13/182

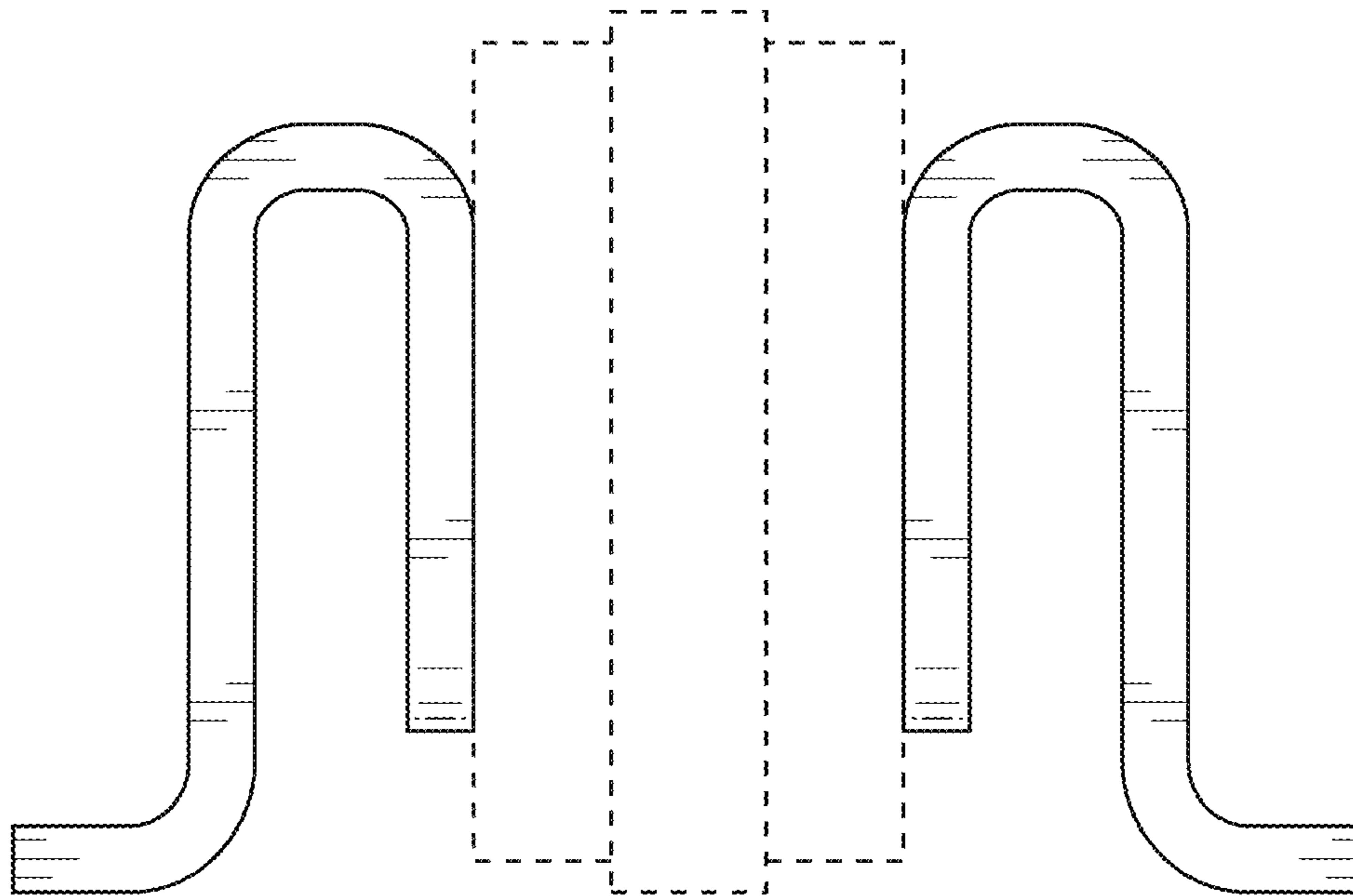
D490,784 S \* 6/2004 Ishida ..... D13/180  
D499,385 S \* 12/2004 Ishida ..... D13/180  
D503,388 S \* 3/2005 Ishida ..... D13/180  
D504,404 S \* 4/2005 Ishida ..... D13/180  
D506,187 S \* 6/2005 Wang ..... D13/180  
D509,809 S \* 9/2005 Wang ..... D13/180  
D546,783 S \* 7/2007 Yoon ..... D13/180  
D573,552 S \* 7/2008 Kim ..... D13/180  
D605,612 S \* 12/2009 Hussell ..... D13/180  
D608,739 S \* 1/2010 Hussell ..... D13/180  
D614,592 S \* 4/2010 Hussell ..... D13/180  
D621,802 S \* 8/2010 Hussell ..... D13/180  
8,097,937 B2 \* 1/2012 Bogner ..... H01L 33/62  
257/100  
D669,040 S \* 10/2012 Hussell ..... D13/180  
D682,079 S \* 5/2013 Chou ..... D8/380  
D684,545 S \* 6/2013 Chan ..... D13/180  
D691,100 S \* 10/2013 Chan ..... D13/180  
D718,253 S \* 11/2014 Zerebilov ..... D13/154  
D727,268 S \* 4/2015 Buck ..... D13/154  
D727,852 S \* 4/2015 Buck ..... D13/154  
D748,063 S \* 1/2016 Buck ..... D13/154  
D750,025 S \* 2/2016 Buck ..... D13/147  
D750,030 S \* 2/2016 Zerebilov ..... D13/154  
D761,971 S \* 7/2016 Apanovich ..... D25/119  
9,392,713 B2 \* 7/2016 Au ..... H01L 23/055  
D790,471 S \* 6/2017 Buck ..... D13/147  
2004/0075100 A1 \* 4/2004 Bogner ..... H01L 33/62  
257/99  
2010/0013084 A1 \* 1/2010 Medeiros, III ..... H01L 23/055  
257/693  
2010/0270669 A1 \* 10/2010 Medeiros, III ..... H01L 23/055  
257/692  
2013/0099369 A1 \* 4/2013 Shimane ..... H01L 23/055  
257/698

\* cited by examiner

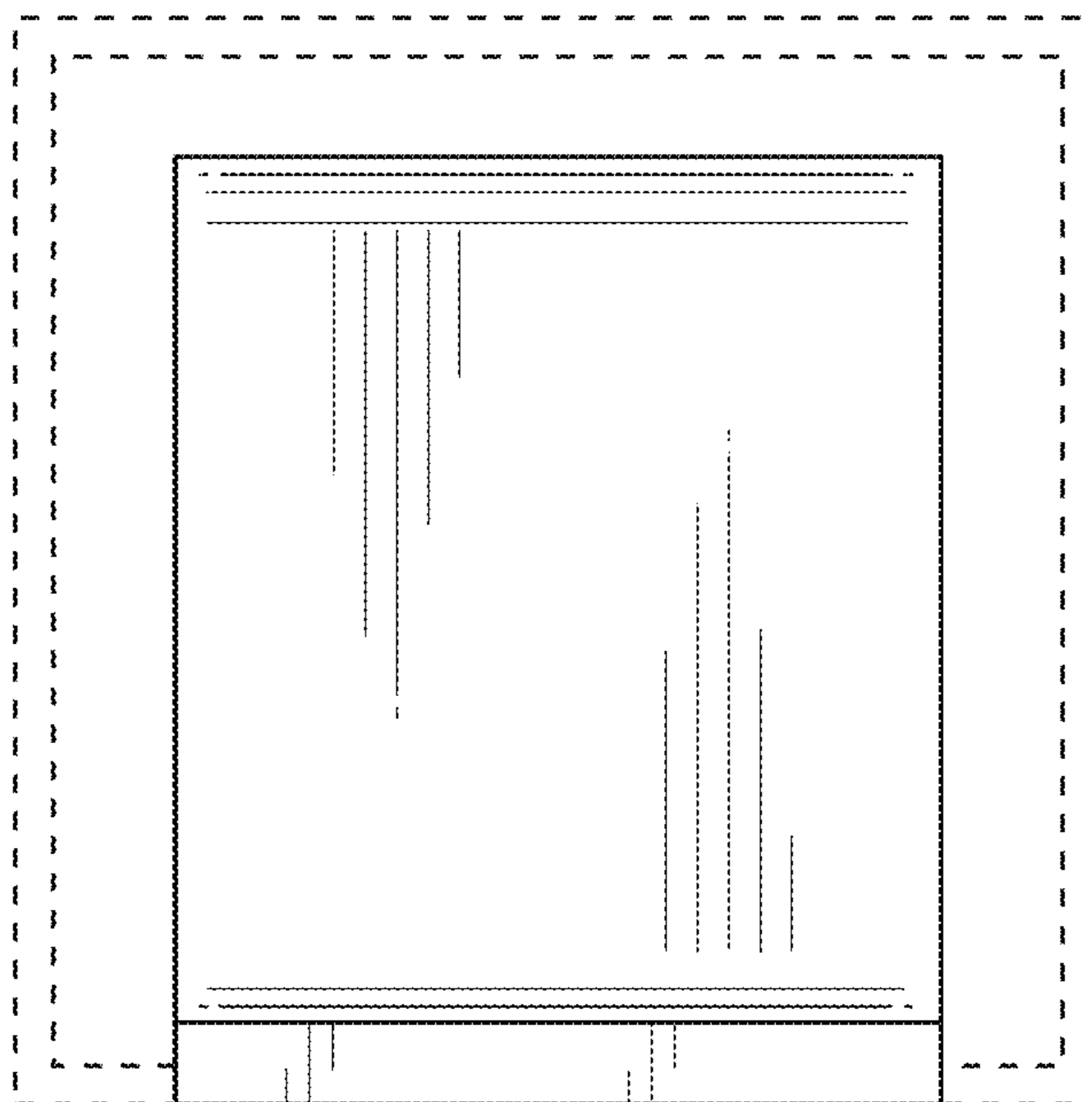


**FIG. 1**

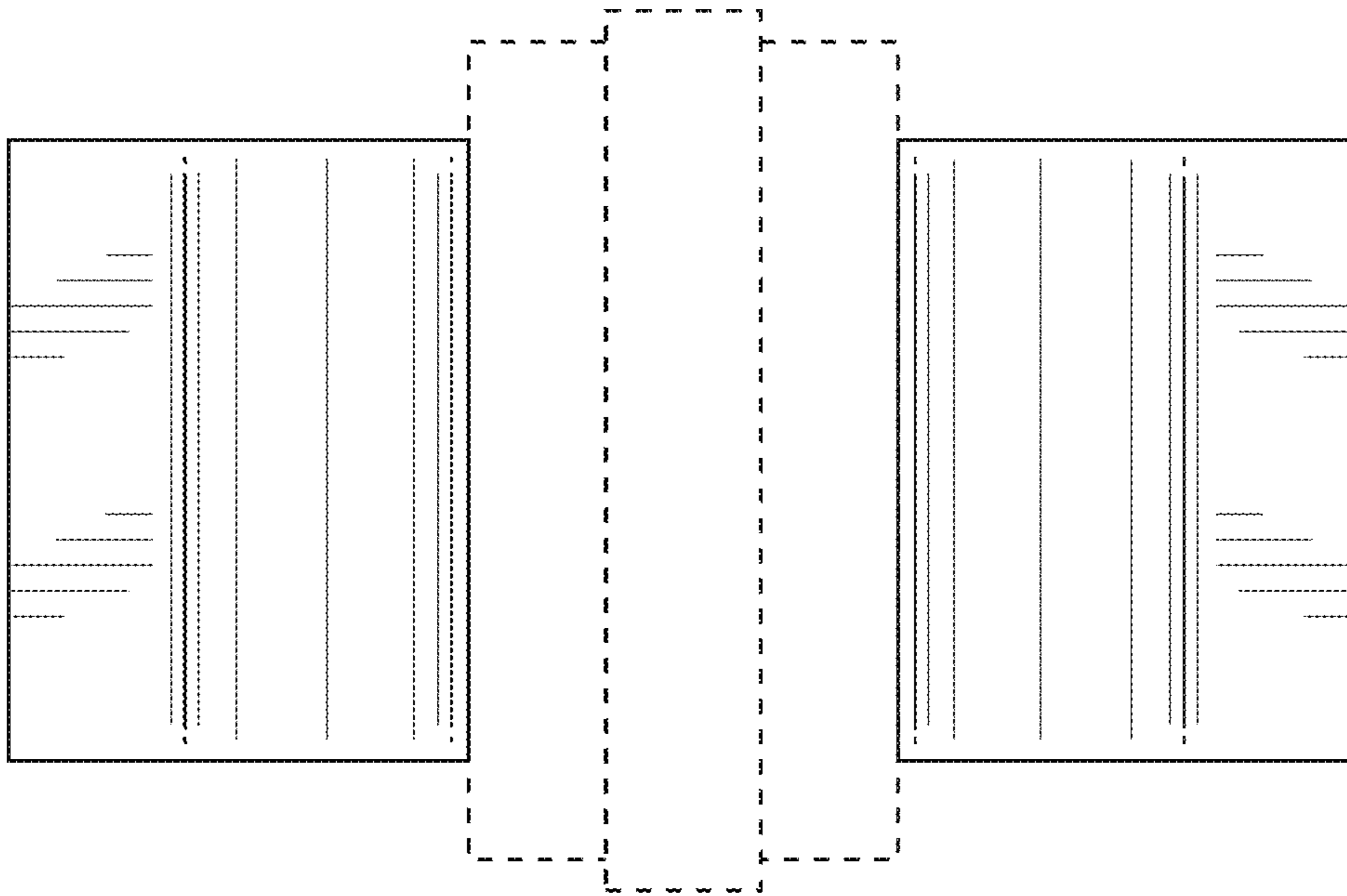




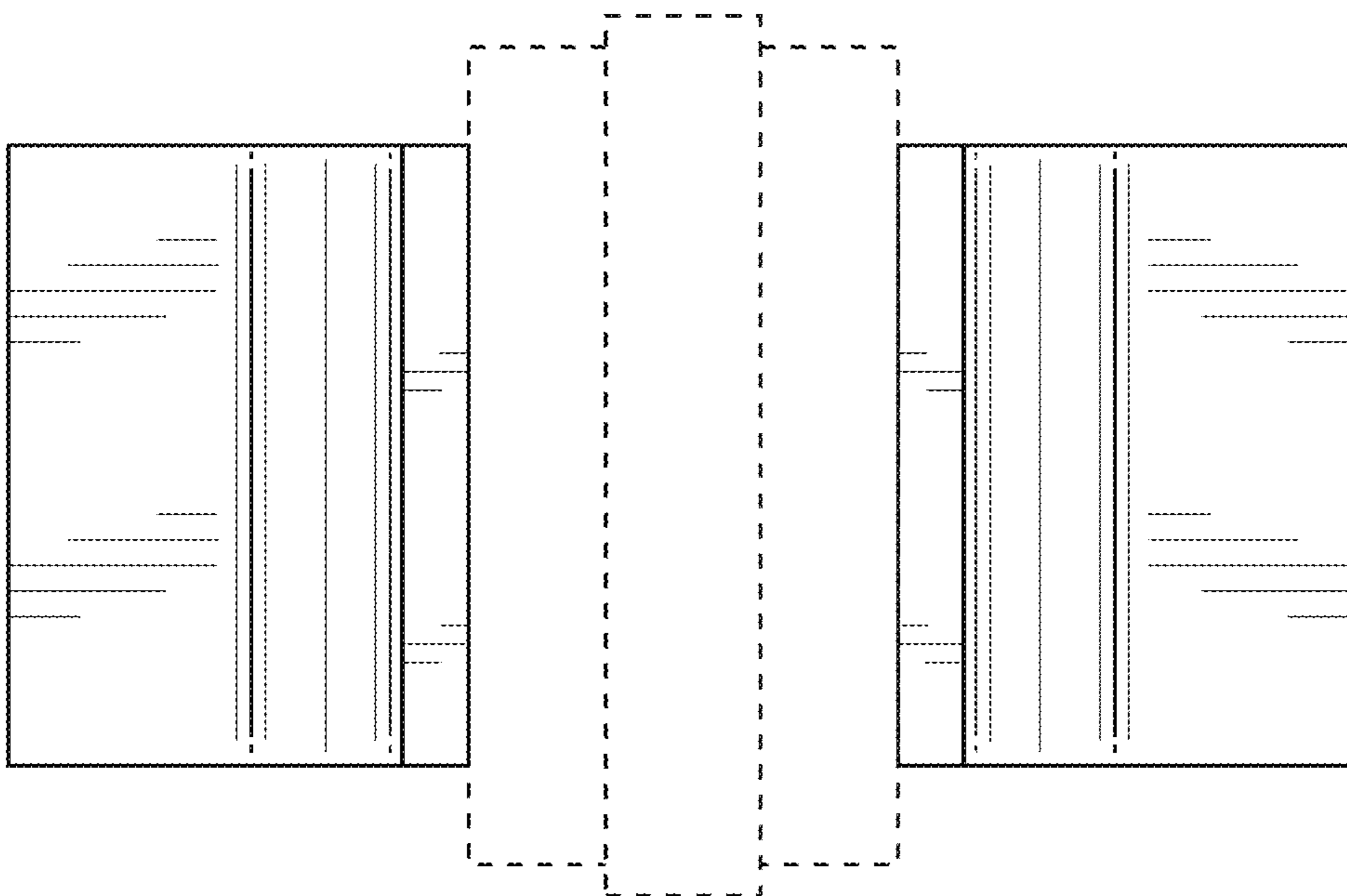
**FIG. 2**



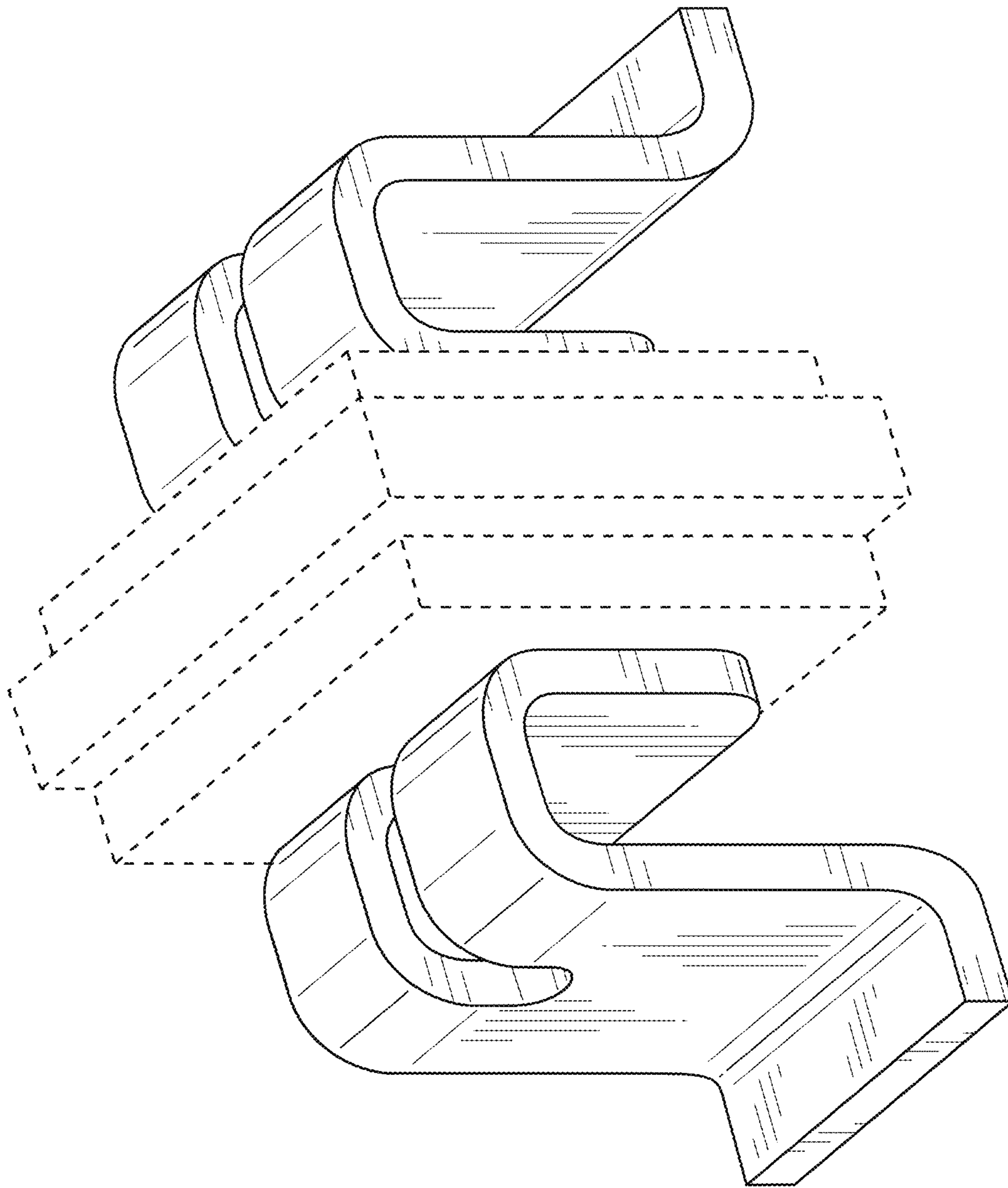
**FIG. 3**



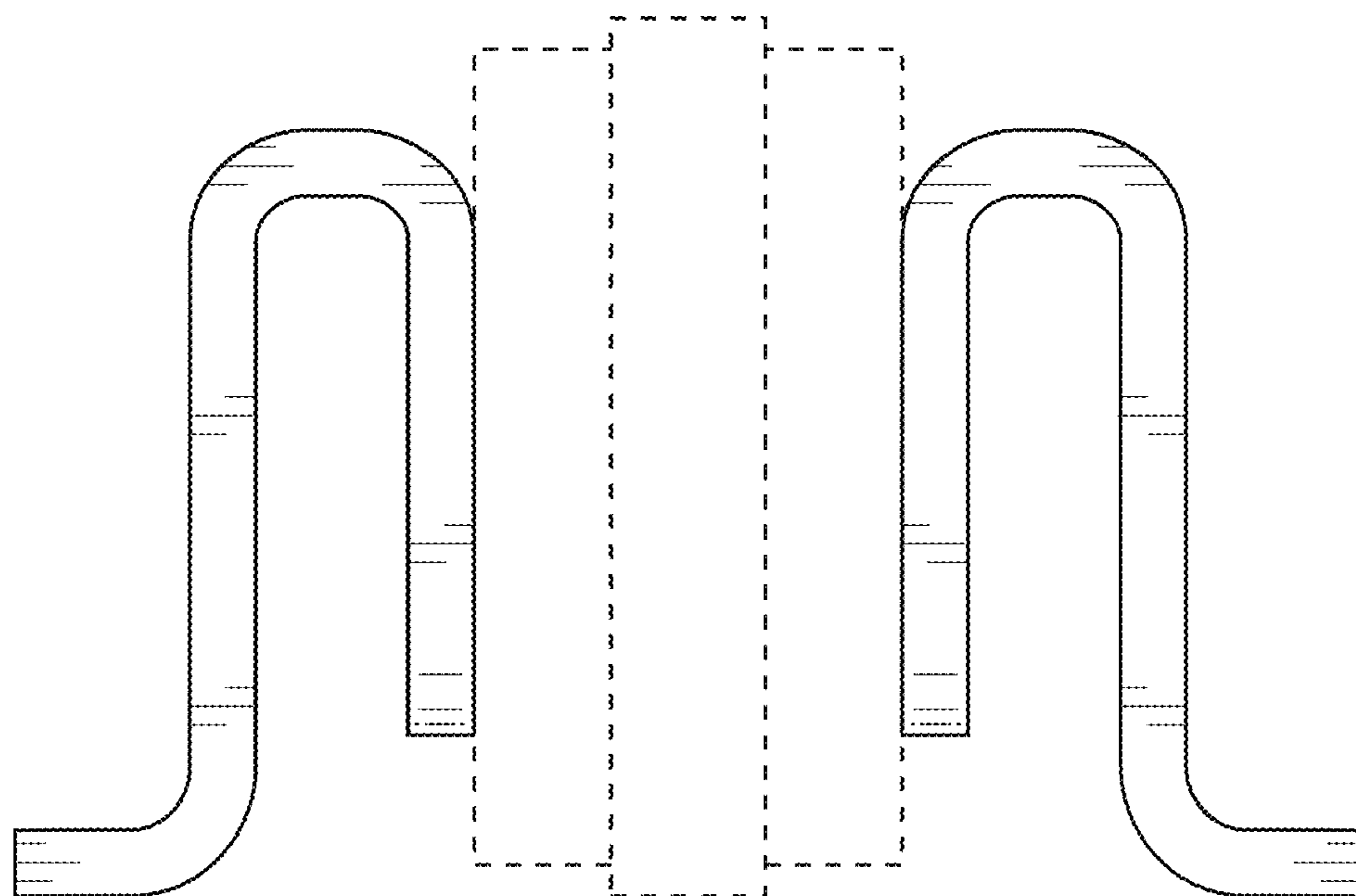
**FIG. 4**



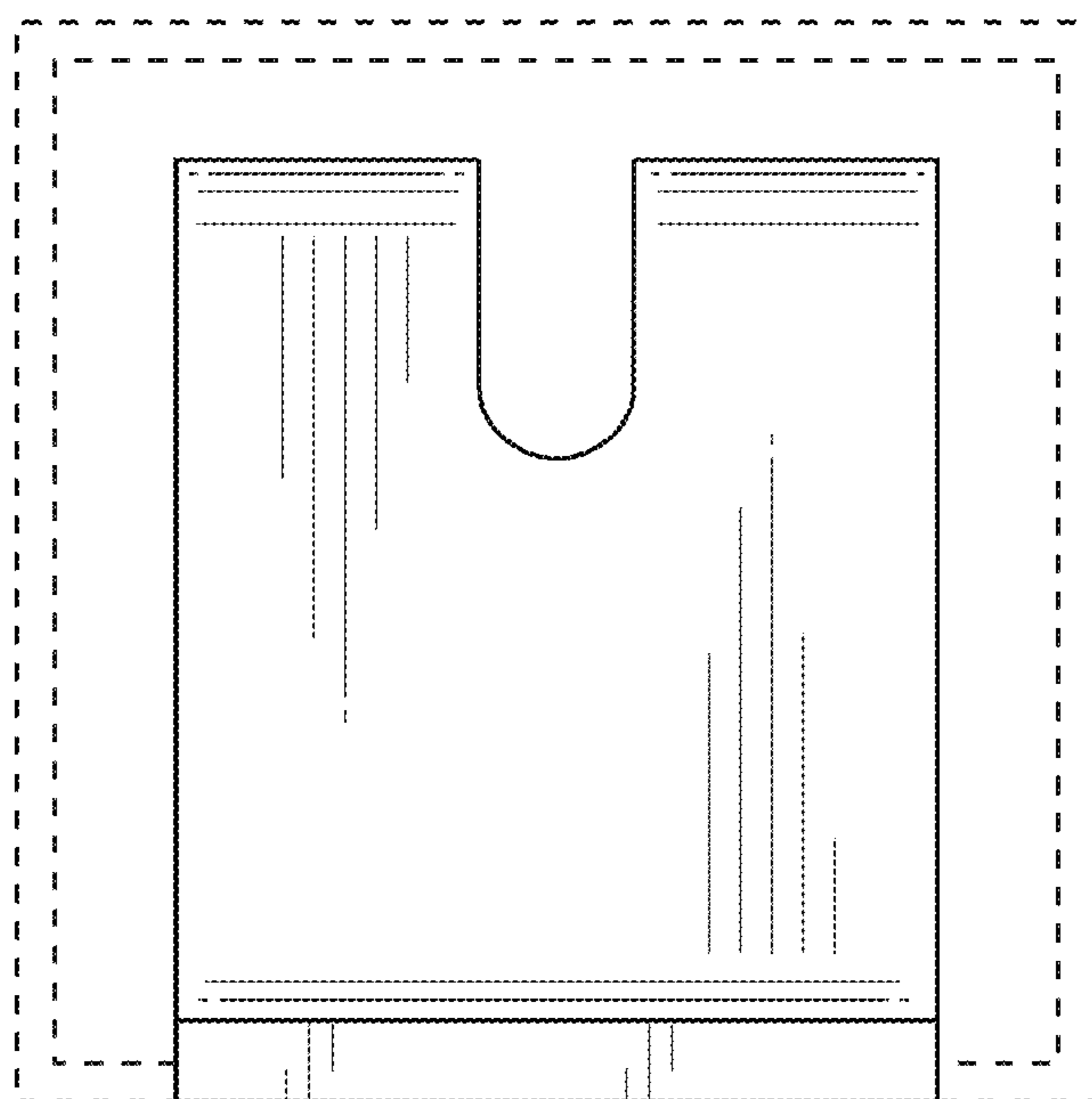
**FIG. 5**



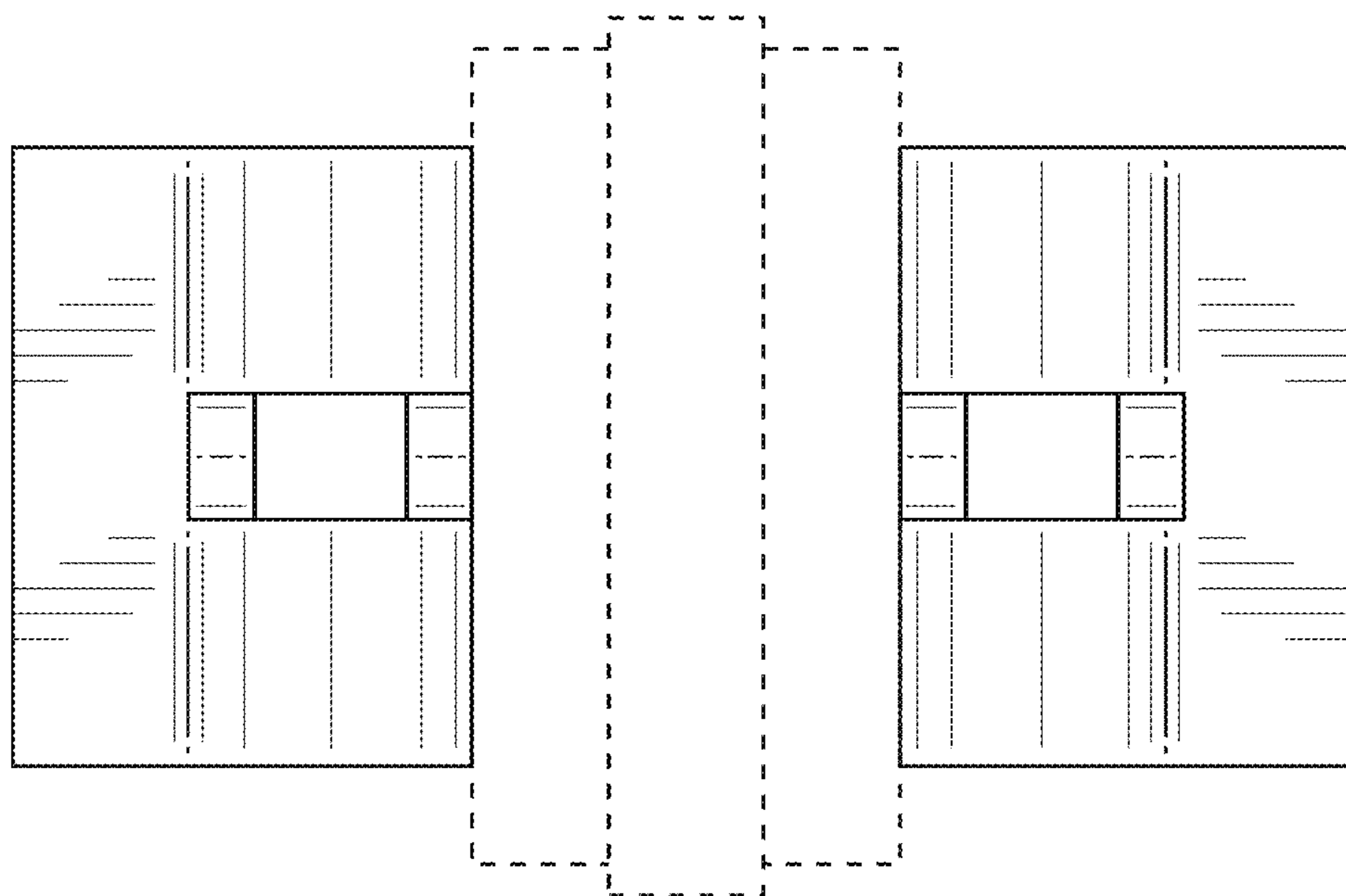
**FIG. 6**



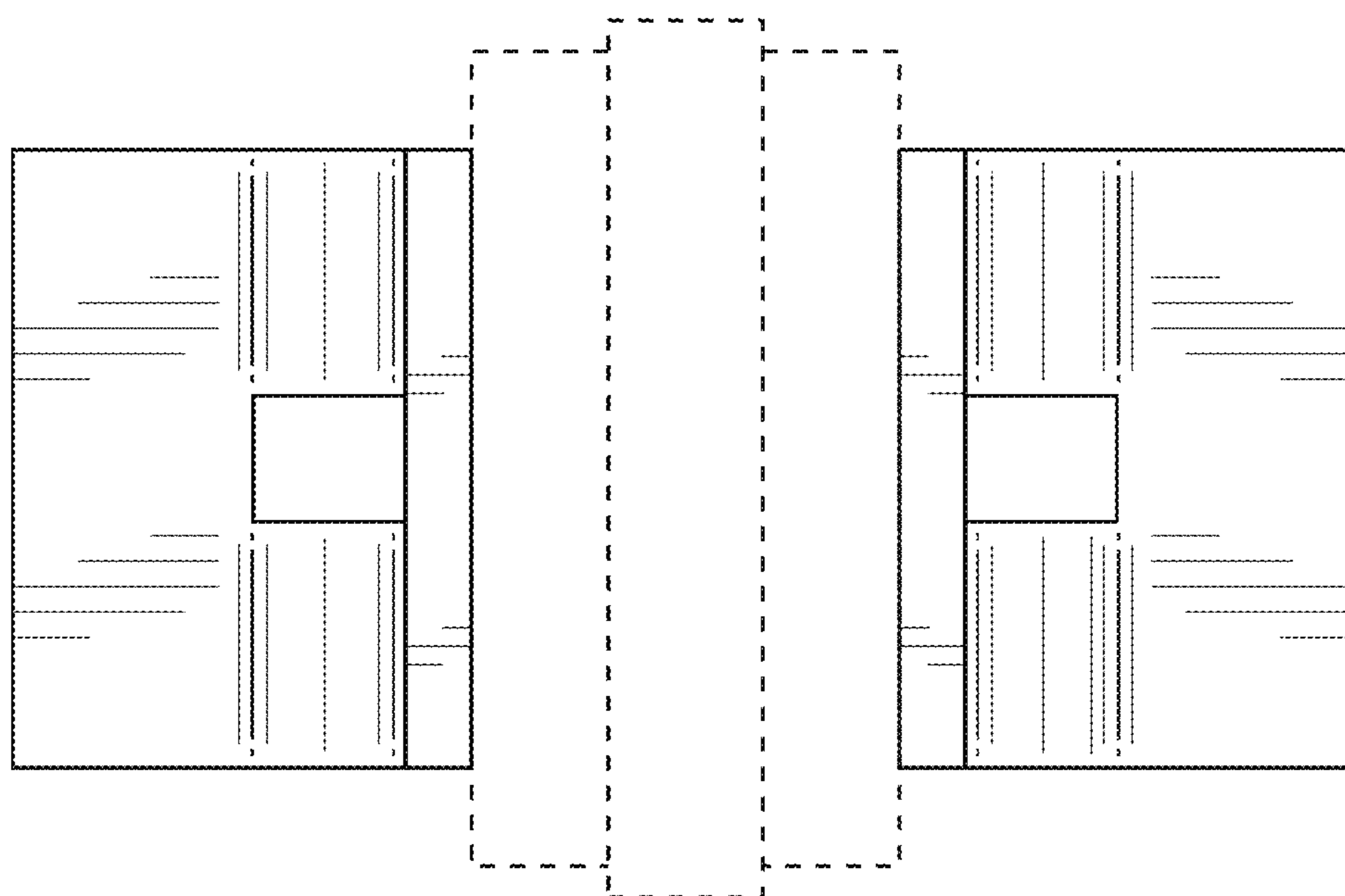
**FIG. 7**



**FIG. 8**

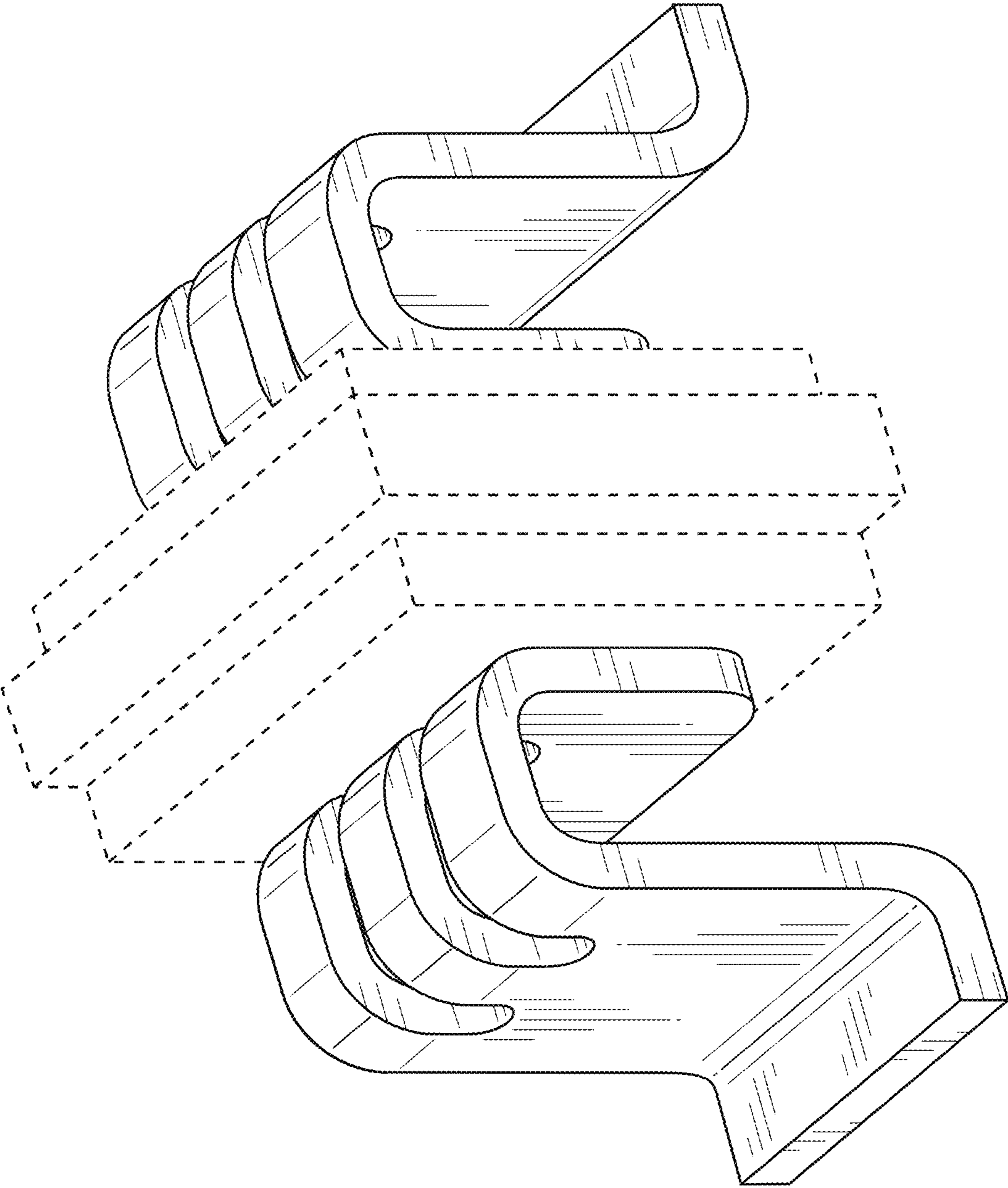


**FIG. 9**

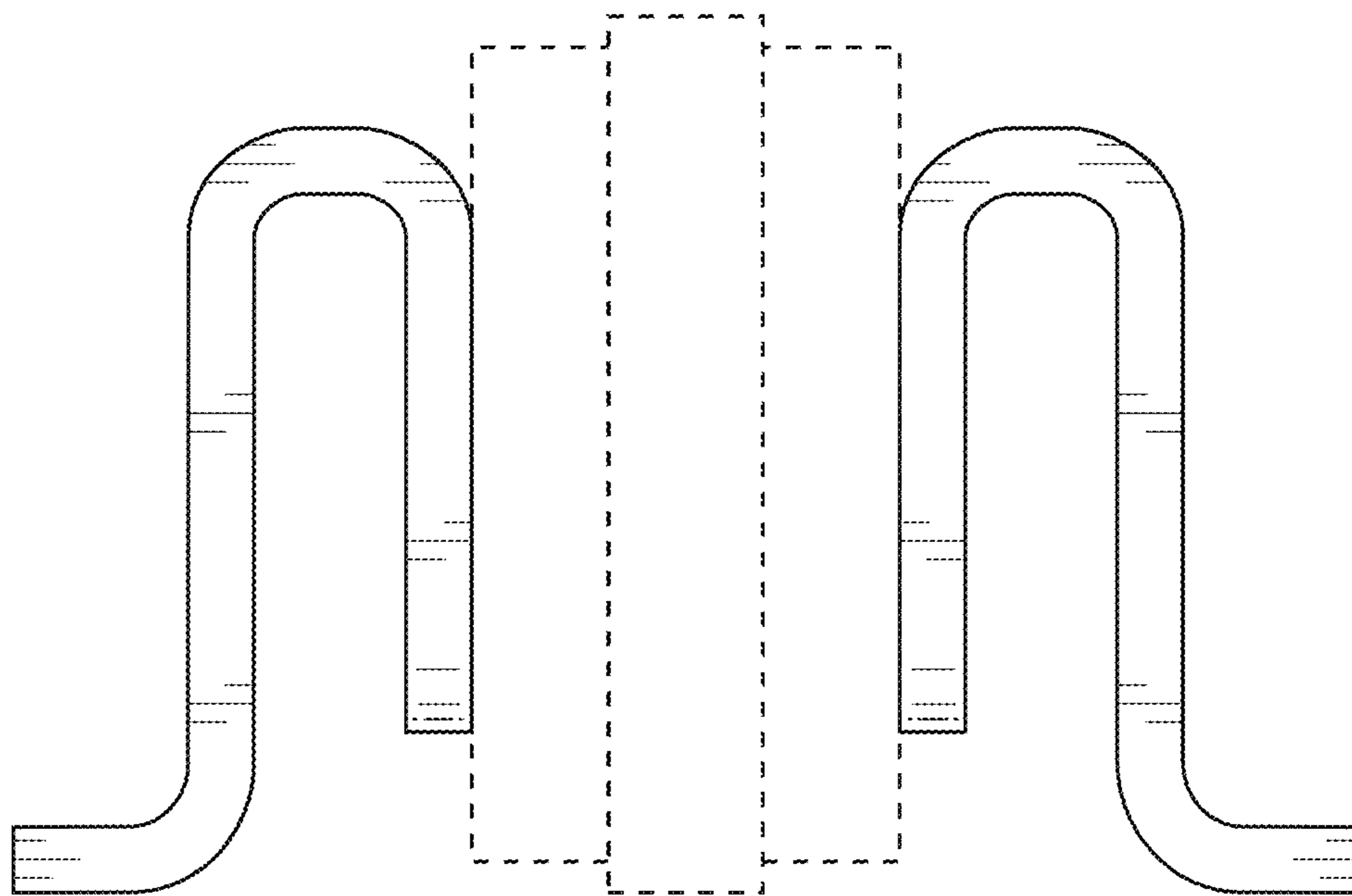


**FIG. 10**

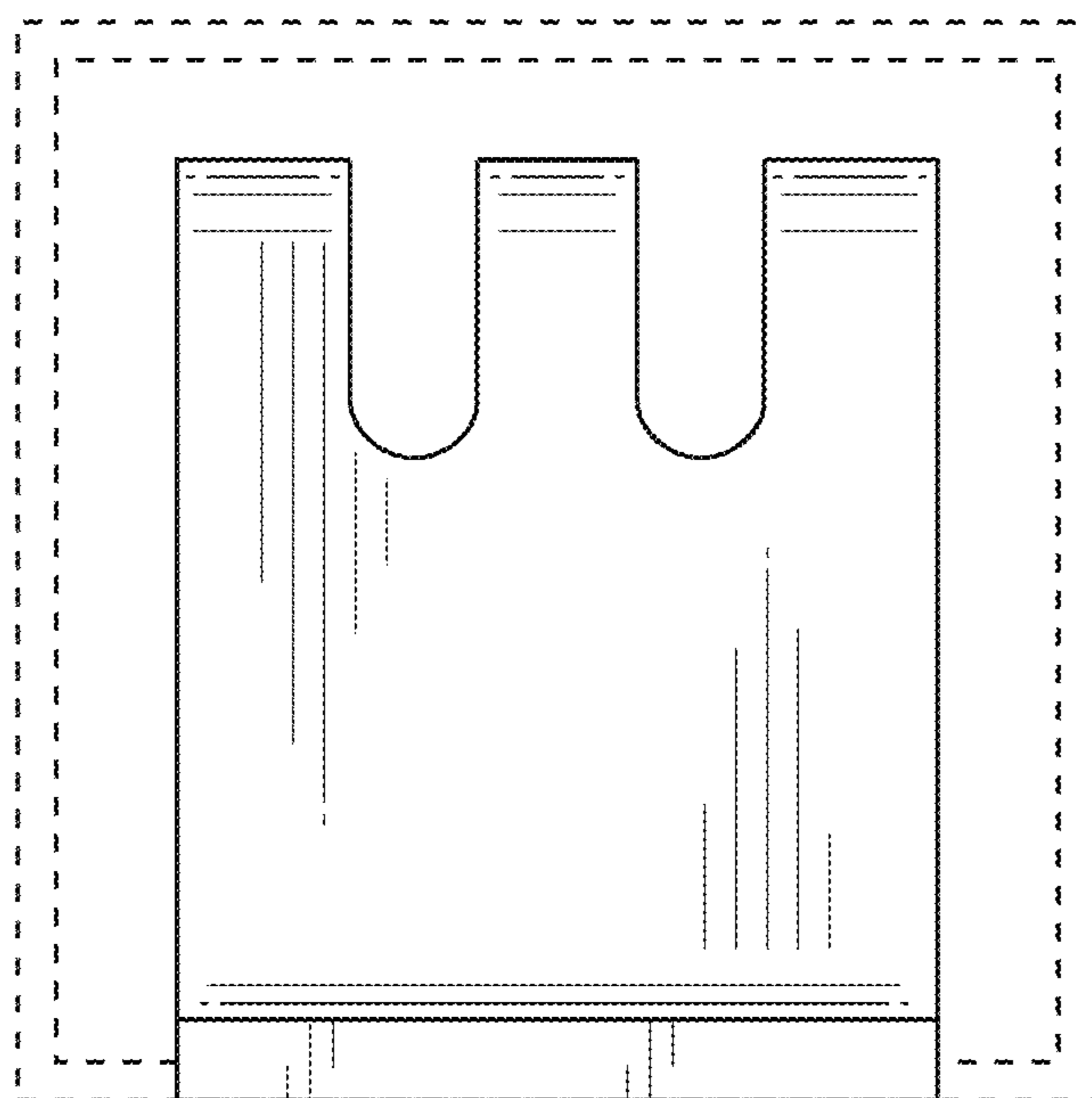




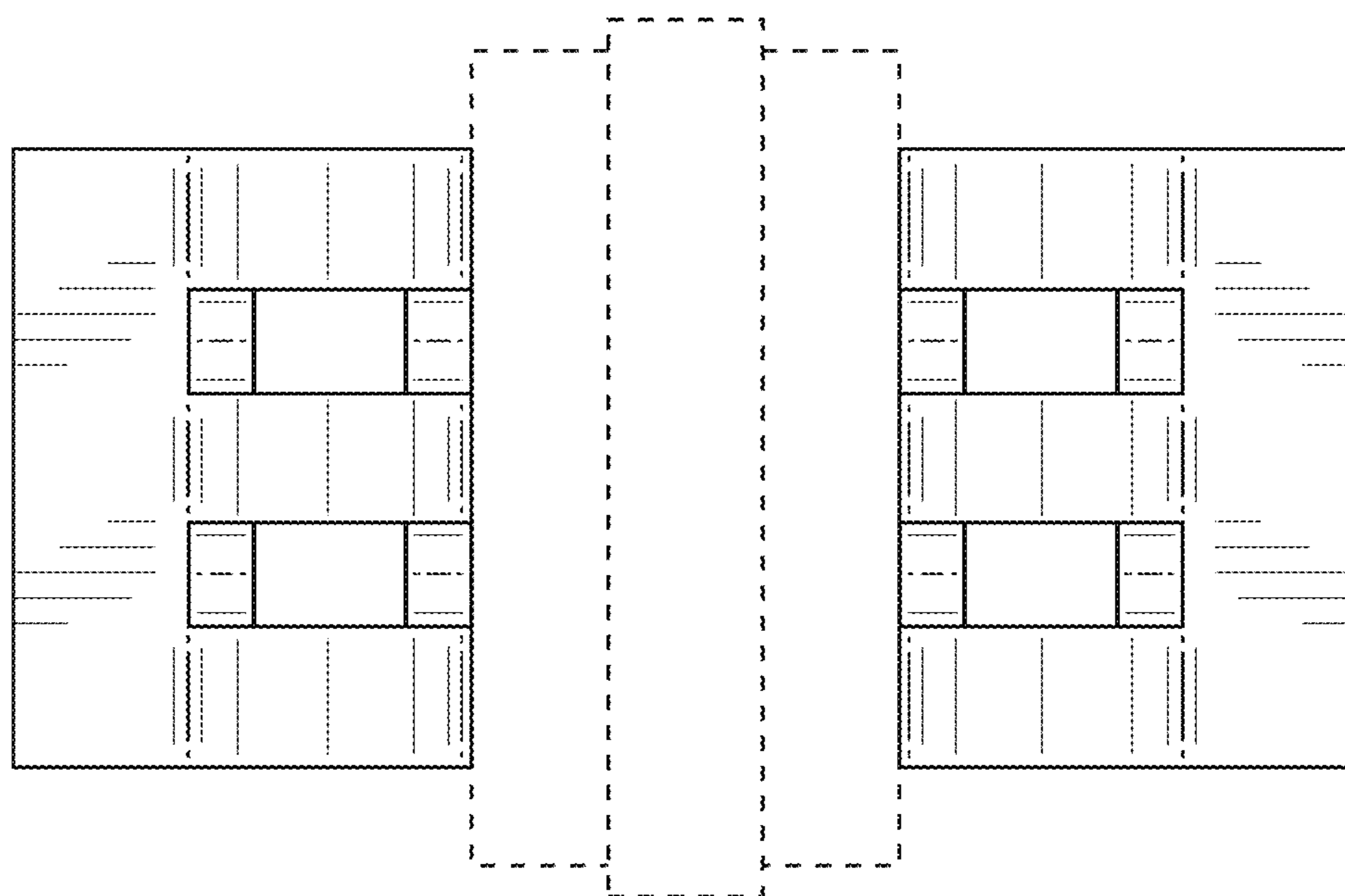
**FIG. 11**



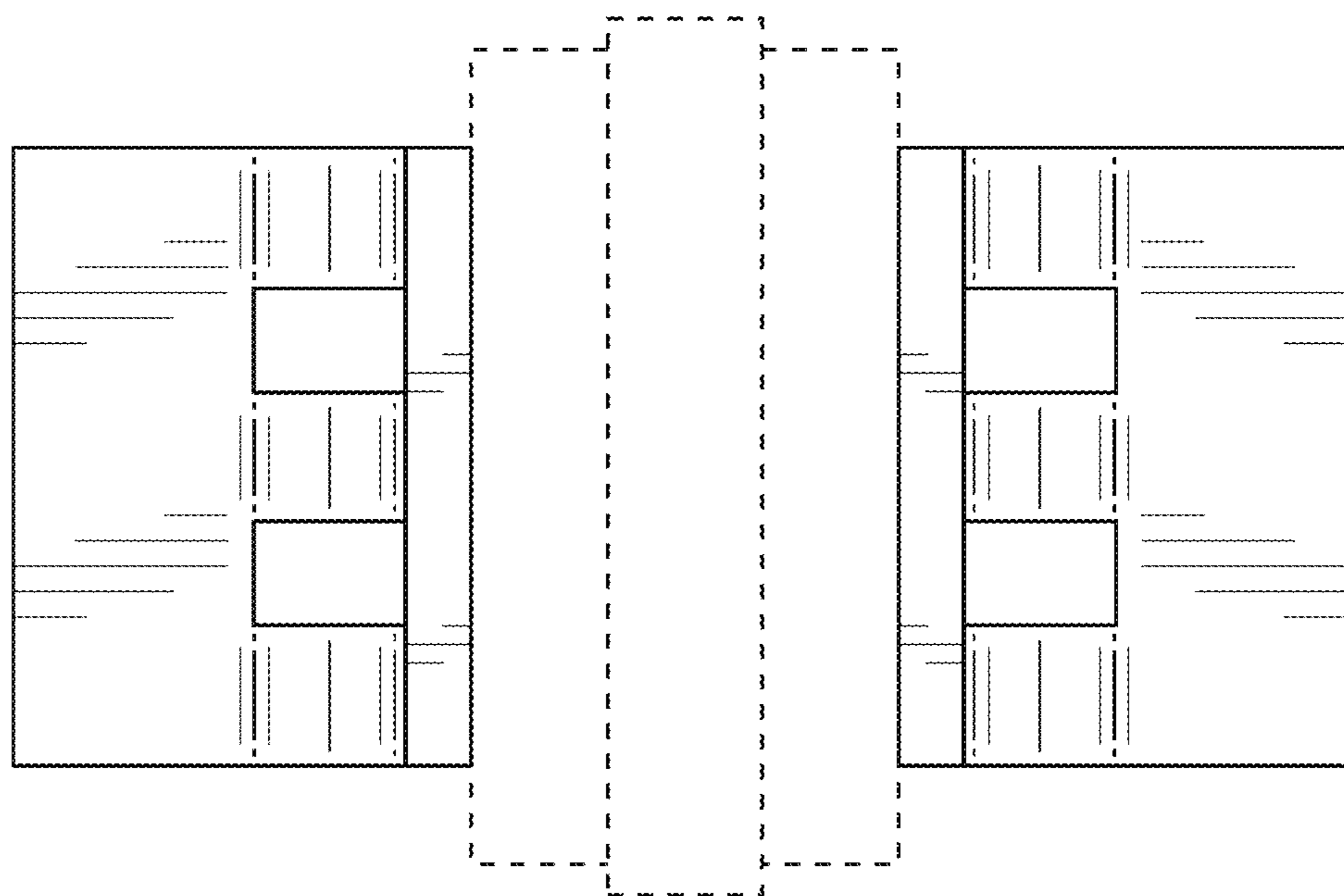
**FIG. 12**



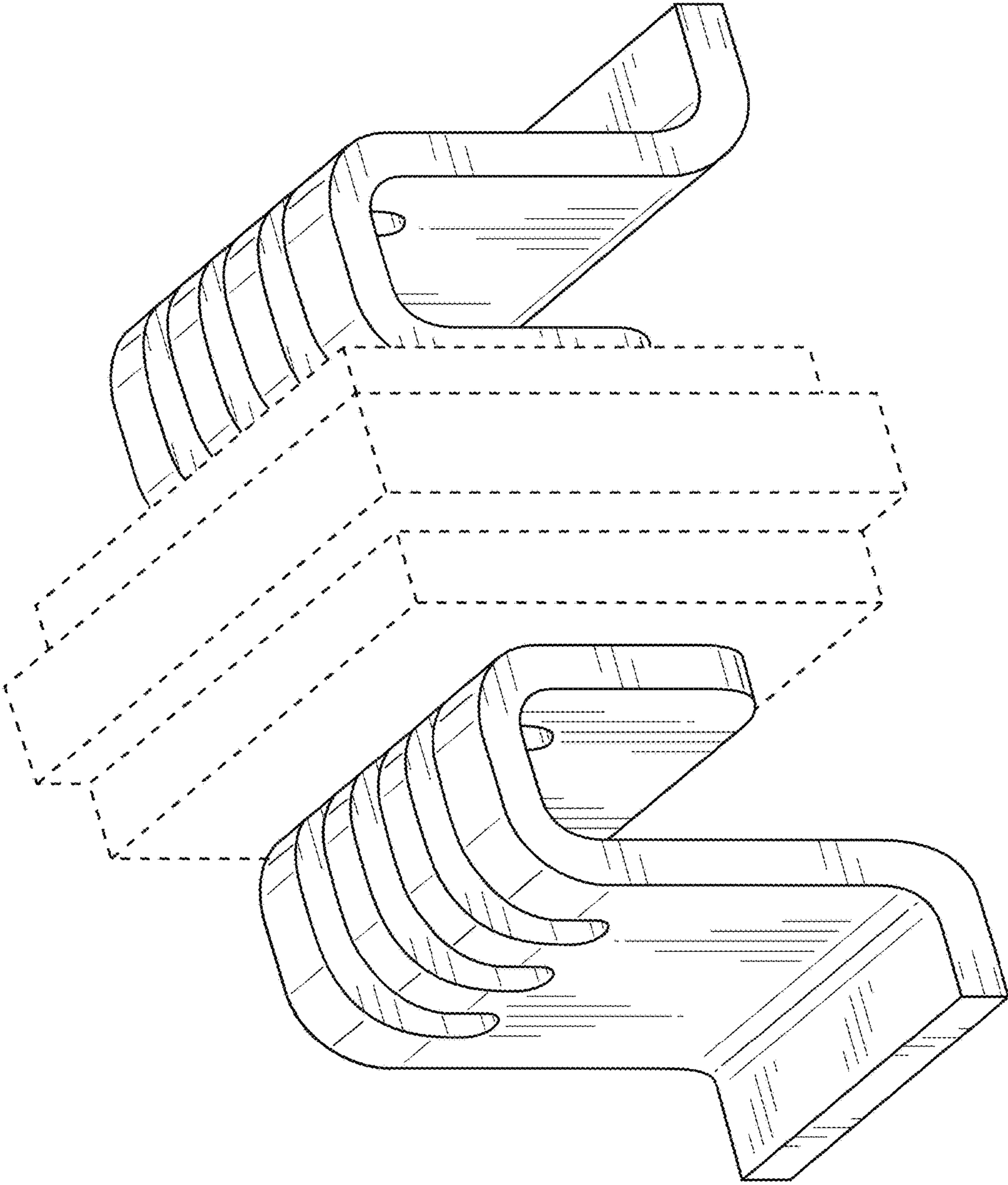
**FIG. 13**



**FIG. 14**

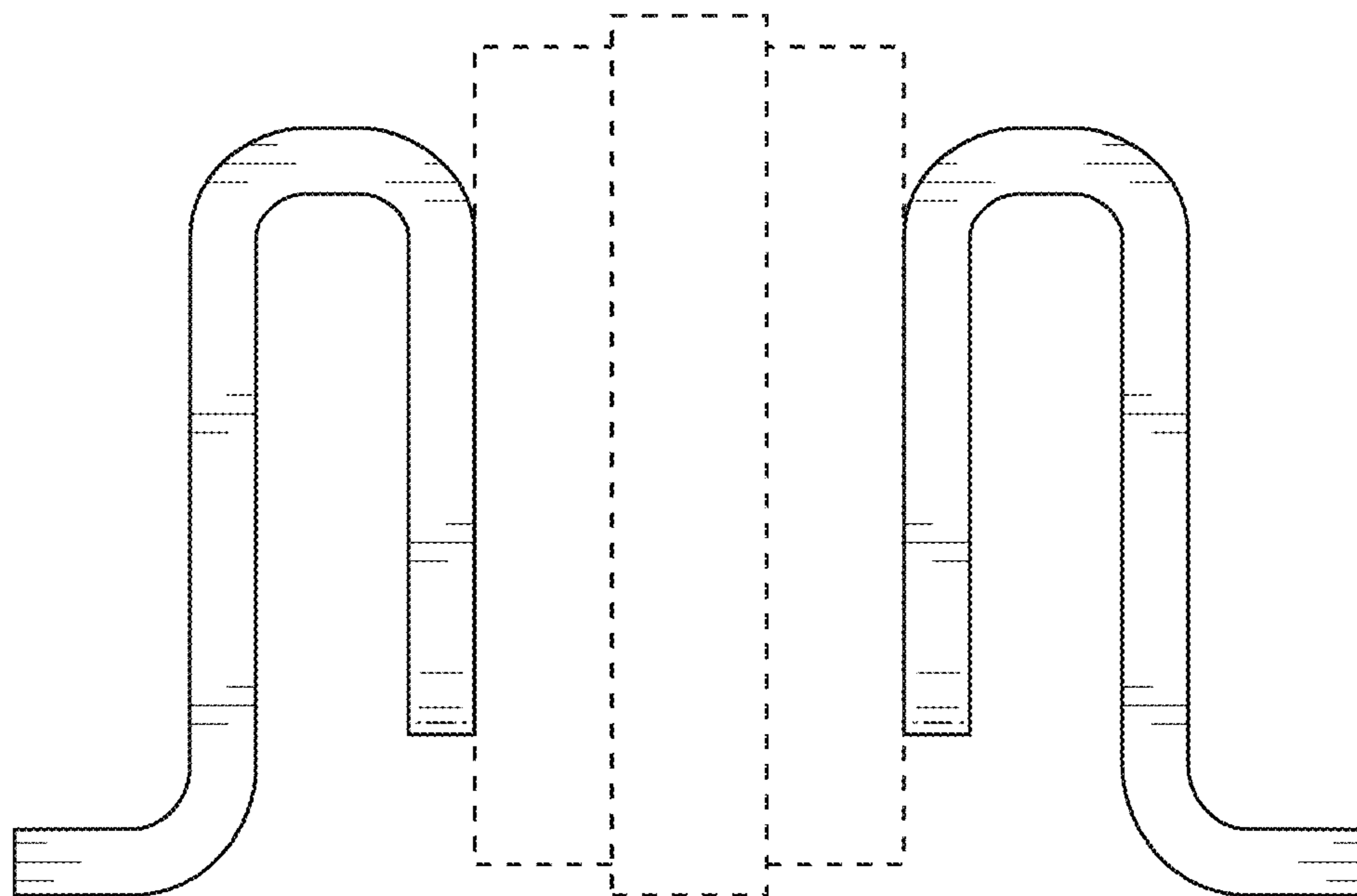


**FIG. 15**

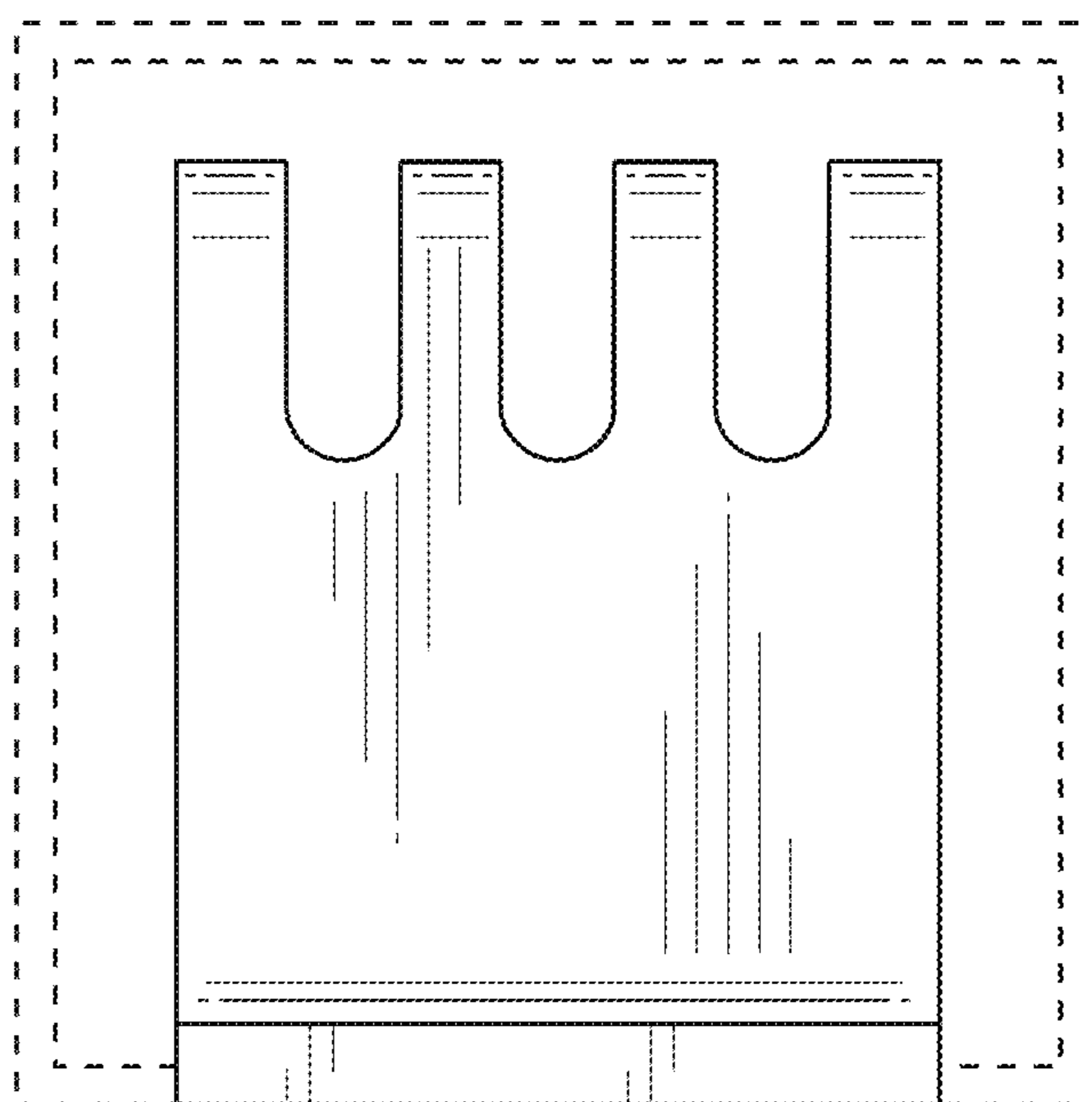


**FIG. 16**

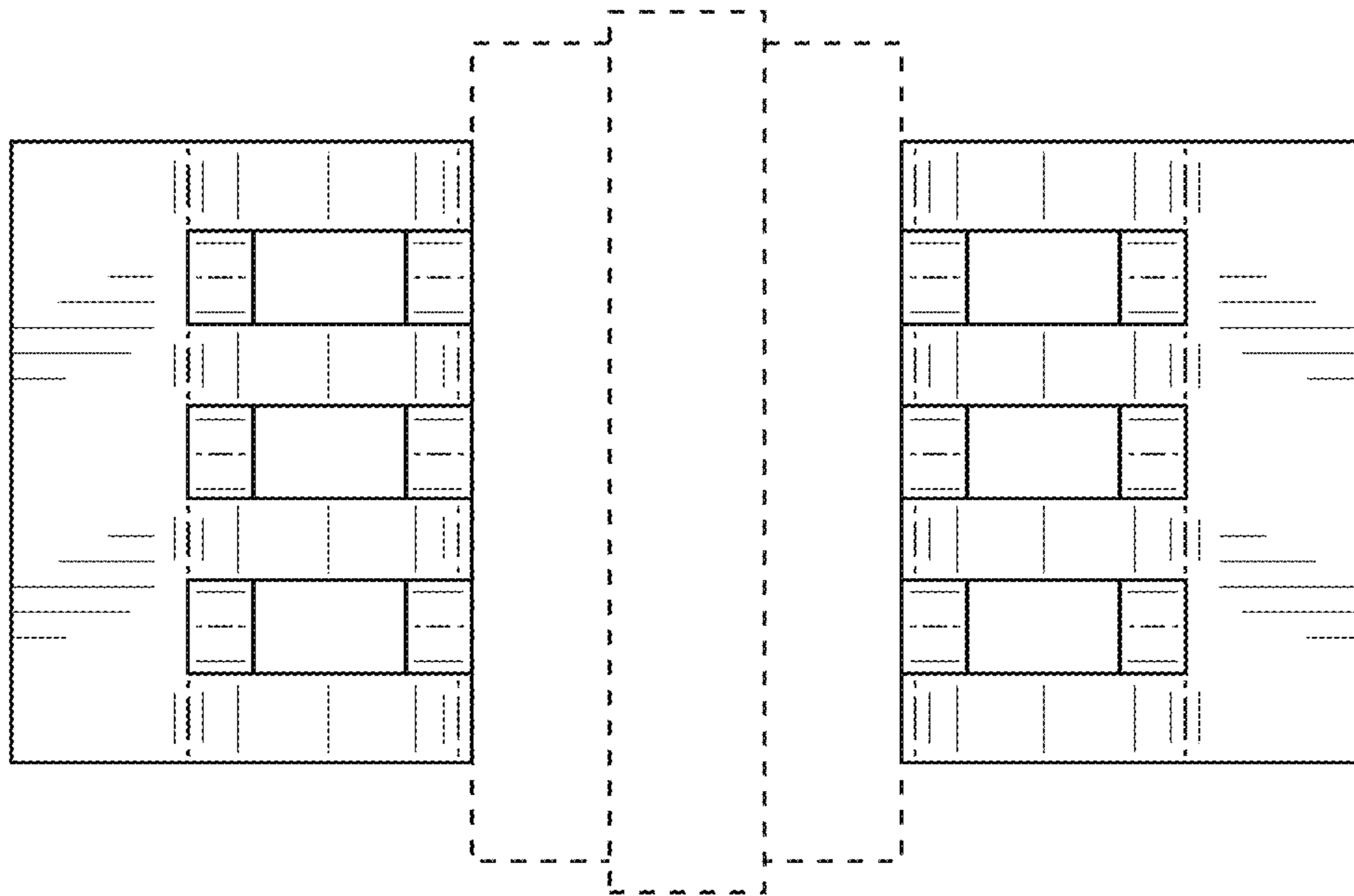




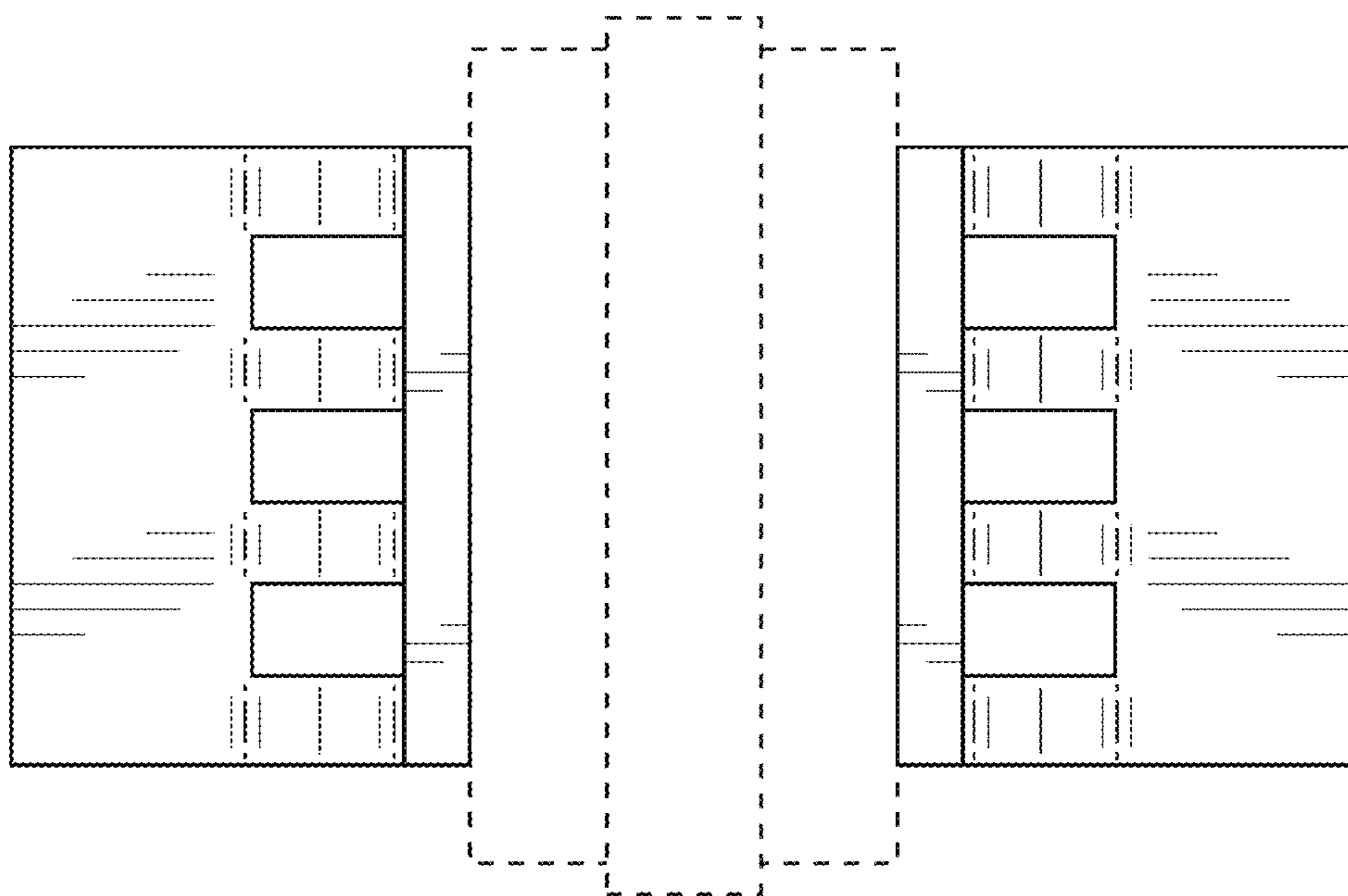
**FIG. 17**



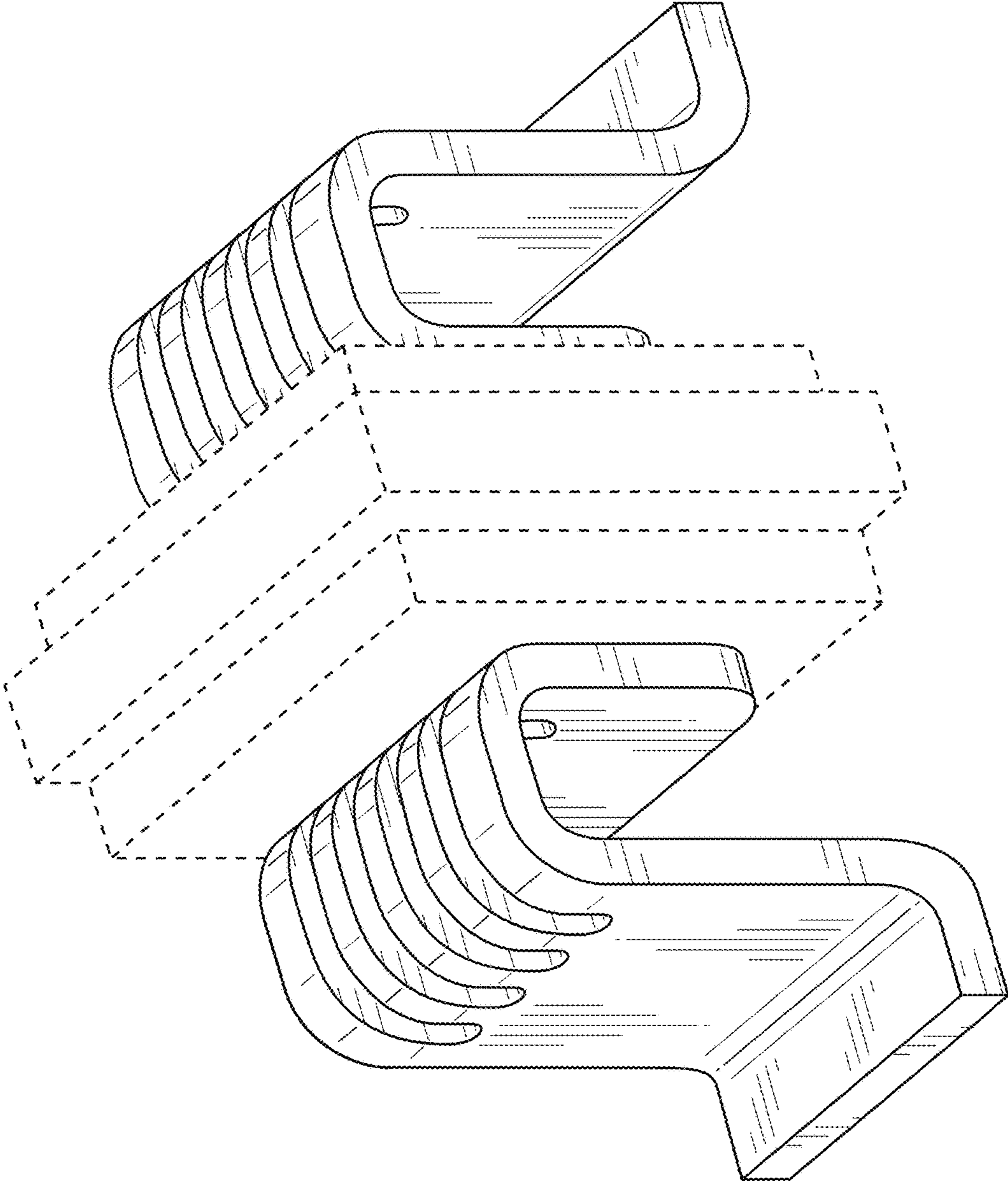
**FIG. 18**



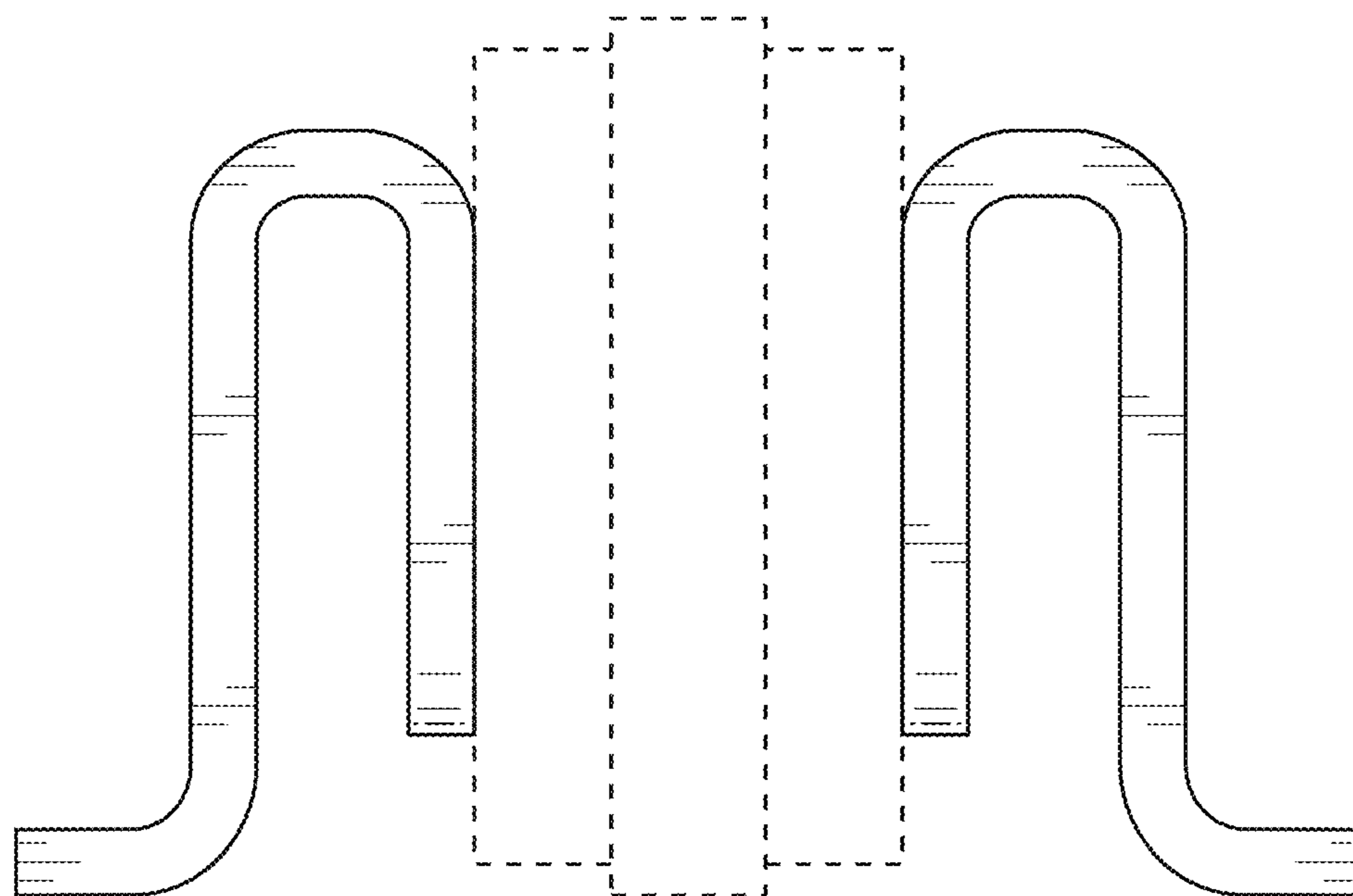
**FIG. 19**



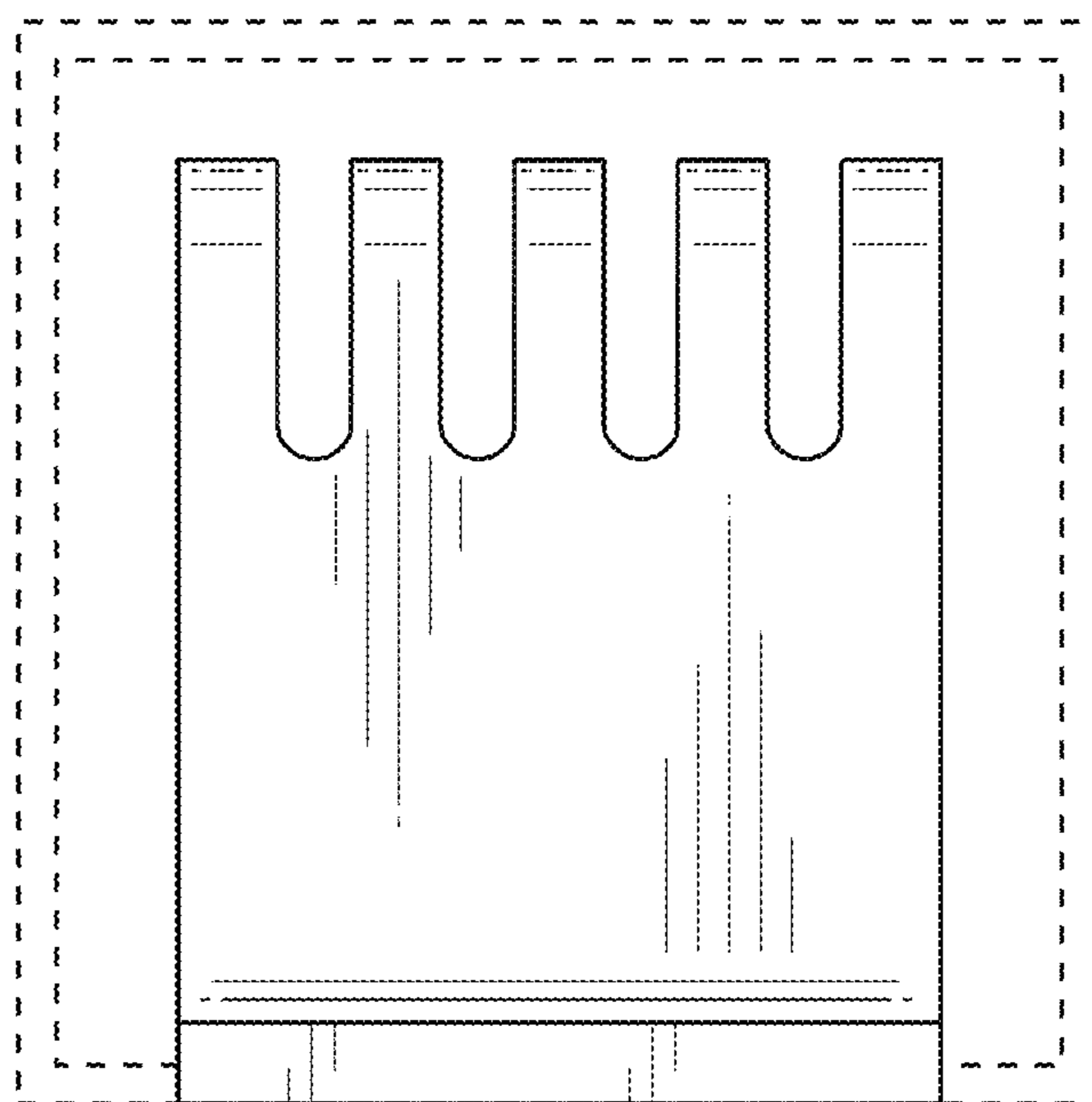
**FIG. 20**



**FIG. 21**

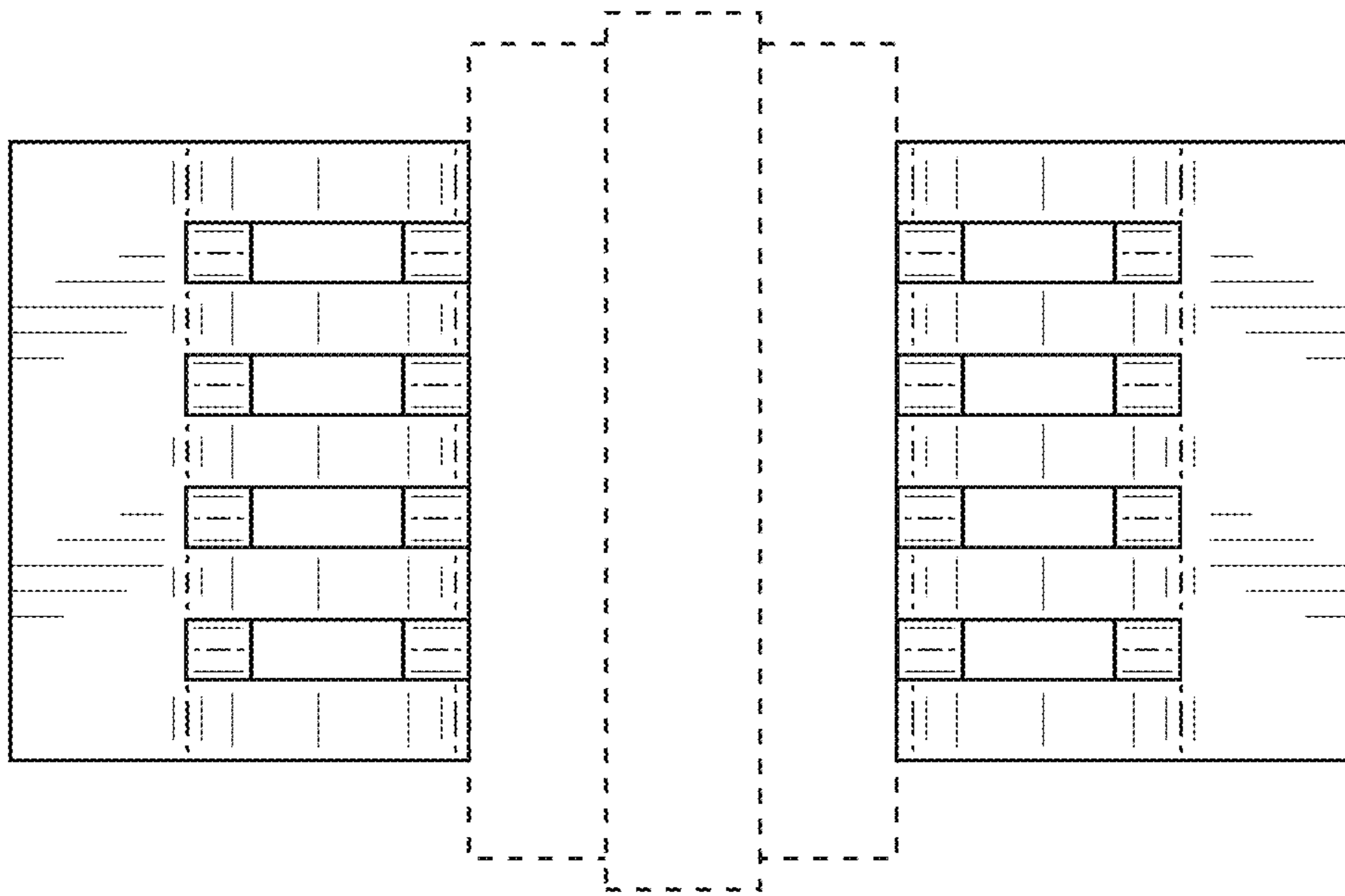


**FIG. 22**

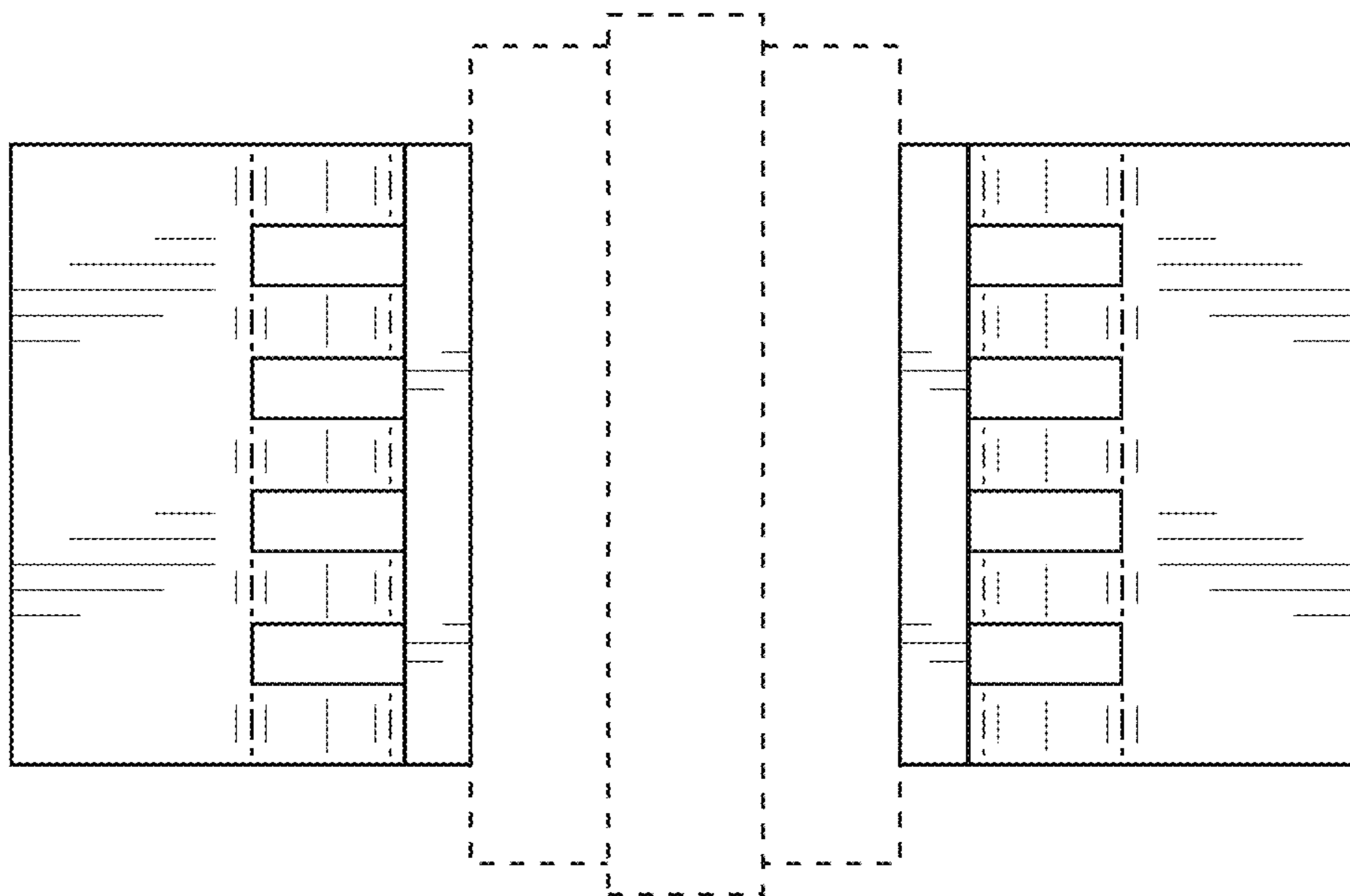


**FIG. 23**





**FIG. 24**



**FIG. 25**