



US00D803795S

(12) **United States Design Patent** (10) **Patent No.:** **US D803,795 S**  
**Au et al.** (45) **Date of Patent:** **\*\* Nov. 28, 2017**

(54) **SURFACE MOUNT DEVICE**

(71) Applicant: **RSM Electron Power, Inc.**, Deer Park, NY (US)

(72) Inventors: **Ching Au**, Garden City, NY (US);  
**David Peng**, Flushing, NY (US);  
**Dennis Zegzula**, East Patchogue, NY (US)

(73) Assignee: **RSM Electron Power, Inc.**, Deer Park, NY (US)

(\*\*) Term: **15 Years**

(21) Appl. No.: **29/573,689**

(22) Filed: **Aug. 9, 2016**

(51) **LOC (10) Cl.** ..... **13-03**

(52) **U.S. Cl.**  
USPC ..... **D13/180; D8/349**

(58) **Field of Classification Search**  
USPC ..... D8/380, 349, 354, 363, 364, 366, 371,  
D8/372; D13/180, 184

(Continued)

(56) **References Cited**

**U.S. PATENT DOCUMENTS**

5,528,079 A \* 6/1996 McIver ..... H01L 23/057  
257/698  
5,792,984 A \* 8/1998 Bloom ..... H01L 23/10  
174/536

(Continued)

*Primary Examiner* — Mark Goodwin

(74) *Attorney, Agent, or Firm* — Fitzpatrick, Cella,  
Harper & Scinto

(57) **CLAIM**

The ornamental design for surface mount device, as shown and described.

**DESCRIPTION**

FIG. 1 is a perspective view of a first embodiment of the surface mount device.

FIG. 2 is a front elevational view of the surface mount device shown in FIG. 1, with the rear elevational view (not shown) being a mirror image of the front elevational view. FIG. 3 is a left side elevational view of the surface mount device shown in FIG. 1, with the right side elevational view (not shown) being a mirror image of the left side view. FIG. 4 is a top view of the surface mount device shown in FIG. 1.

FIG. 5 is a bottom view of the surface mount device shown in FIG. 1.

FIG. 6 is a cross-sectional view of the surface mount device shown in FIG. 1 taken along section line 6-6 in FIG. 4.

FIG. 7 is a cross-sectional view of the surface mount device shown in FIG. 1 taken along section line 7-7 in FIG. 4.

FIG. 8 is a perspective view of a second embodiment of the surface mount device.

FIG. 9 is a front elevational view of the surface mount device shown in FIG. 8, with the rear elevational view (not shown) being a mirror image of the front elevational view.

FIG. 10 is a left side elevational view of the surface mount device shown in FIG. 8, with the right side elevational view (not shown) being a mirror image of the left side view.

FIG. 11 is a top view of the surface mount device shown in FIG. 8.

FIG. 12 is a bottom view of the surface mount device shown in FIG. 8.

FIG. 13 is a cross-sectional view of the surface mount device shown in FIG. 8 taken along section line 13-13 in FIG. 11.

FIG. 14 is a cross-sectional view of the surface mount device shown in FIG. 8 taken along section line 14-14 in FIG. 11.

FIG. 15 is a perspective view of a third embodiment of the surface mount device.

FIG. 16 is a front elevational view of the surface mount device shown in FIG. 15, with the rear elevational view (not shown) being a mirror image of the front elevational view.

FIG. 17 is a left side elevational view of the surface mount device shown in FIG. 15, with the right side elevational view (not shown) being a mirror image of the left side view.

FIG. 18 is a top view of the surface mount device shown in FIG. 15.

FIG. 19 is a bottom view of the surface mount device shown in FIG. 15.

FIG. 20 is a cross-sectional view of the surface mount device shown in FIG. 15 taken along section line 20-20 in FIG. 18.

FIG. 21 is a cross-sectional view of the surface mount device shown in FIG. 15 taken along section line 21-21 in FIG. 18.

(Continued)

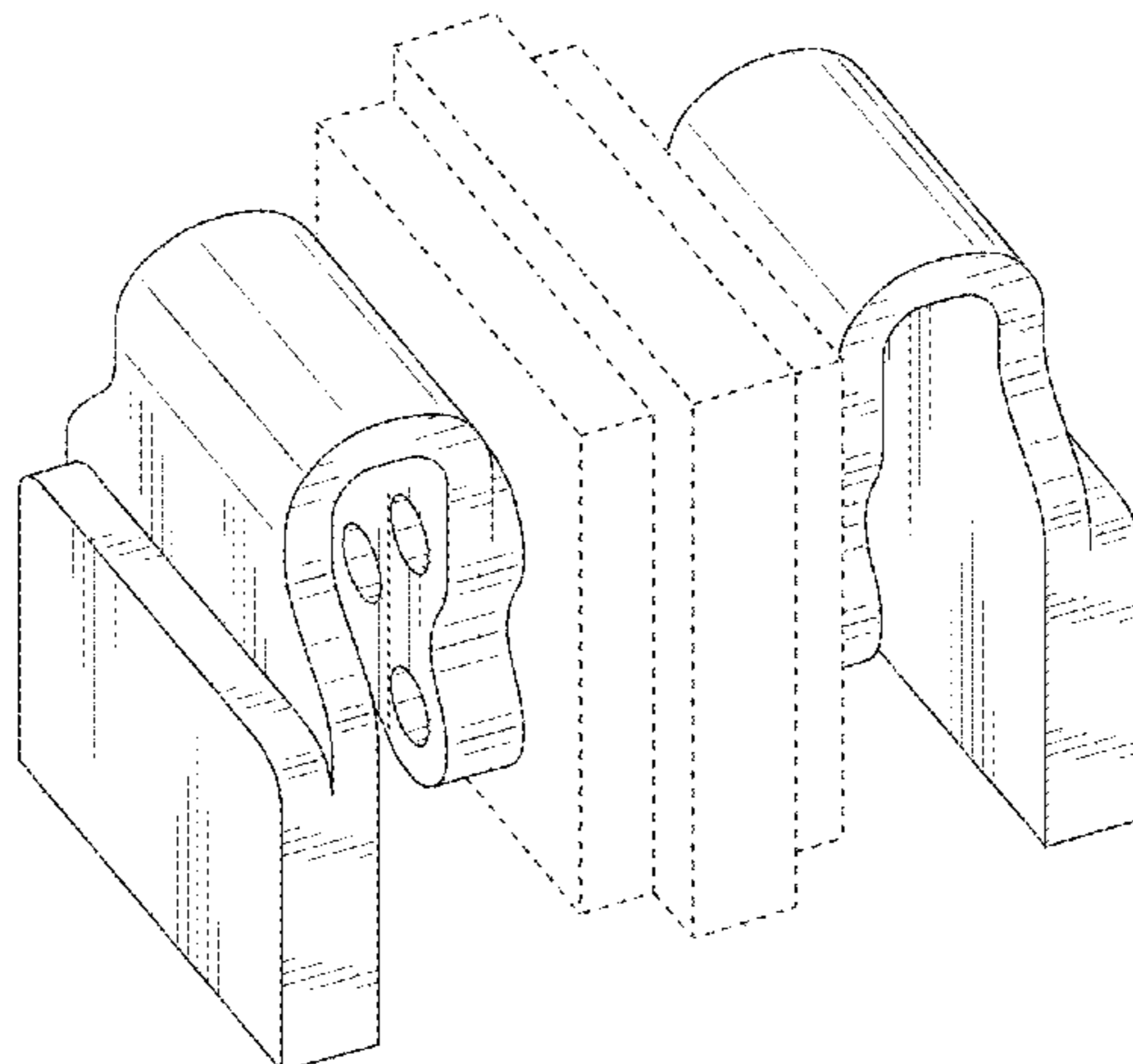


FIG. 22 is a perspective view of a fourth embodiment of the surface mount device.

FIG. 23 is a front elevational view of the surface mount device shown in FIG. 22, with the rear elevational view (not shown) being a mirror image of the front elevational view.

FIG. 24 is a left side elevational view of the surface mount device shown in FIG. 22, with the right side elevational view (not shown) being a mirror image of the left side view.

FIG. 25 is a top view of the surface mount device shown in FIG. 22.

FIG. 26 is a bottom view of the surface mount device shown in FIG. 22.

FIG. 27 is a cross-sectional view of the surface mount device shown in FIG. 22 taken along section line 27-27 in FIG. 25.

FIG. 28 is a cross-sectional view of the surface mount device shown in FIG. 22 taken along section line 28-28 in FIG. 25.

FIG. 29 is a perspective view of a fifth embodiment of the surface mount device.

FIG. 30 is a front elevational view of the surface mount device shown in FIG. 29, with the rear elevational view (not shown) being a mirror image of the front elevational view.

FIG. 31 is a left side elevational view of the surface mount device shown in FIG. 29, with the right side elevational view (not shown) being a mirror image of the left side view.

FIG. 32 is a top view of the surface mount device shown in FIG. 29.

FIG. 33 is a bottom view of the surface mount device shown in FIG. 29.

FIG. 34 is a cross-sectional view of the surface mount device shown in FIG. 29 taken along section line 34-34 in FIG. 32; and,

FIG. 35 is a cross-sectional view of the surface mount device shown in FIG. 29 taken along section line 35-35 in FIG. 32. The broken lines shown in the drawings are included for the purpose of illustrating the environment in which the article resides and form no part of the claimed design.

**1 Claim, 20 Drawing Sheets**

(58) **Field of Classification Search**

CPC ..... H05K 5/066; H05K 5/03; H05K 1/0271;  
H05K 1/03; H05K 1/09; H05K 1/181;

H01L 23/055; H01L 23/10; H01L 23/043;  
H01L 2224/48091; H01L 2224/48472;  
H01L 2224/49111; H01L 2224/00014  
See application file for complete search history.

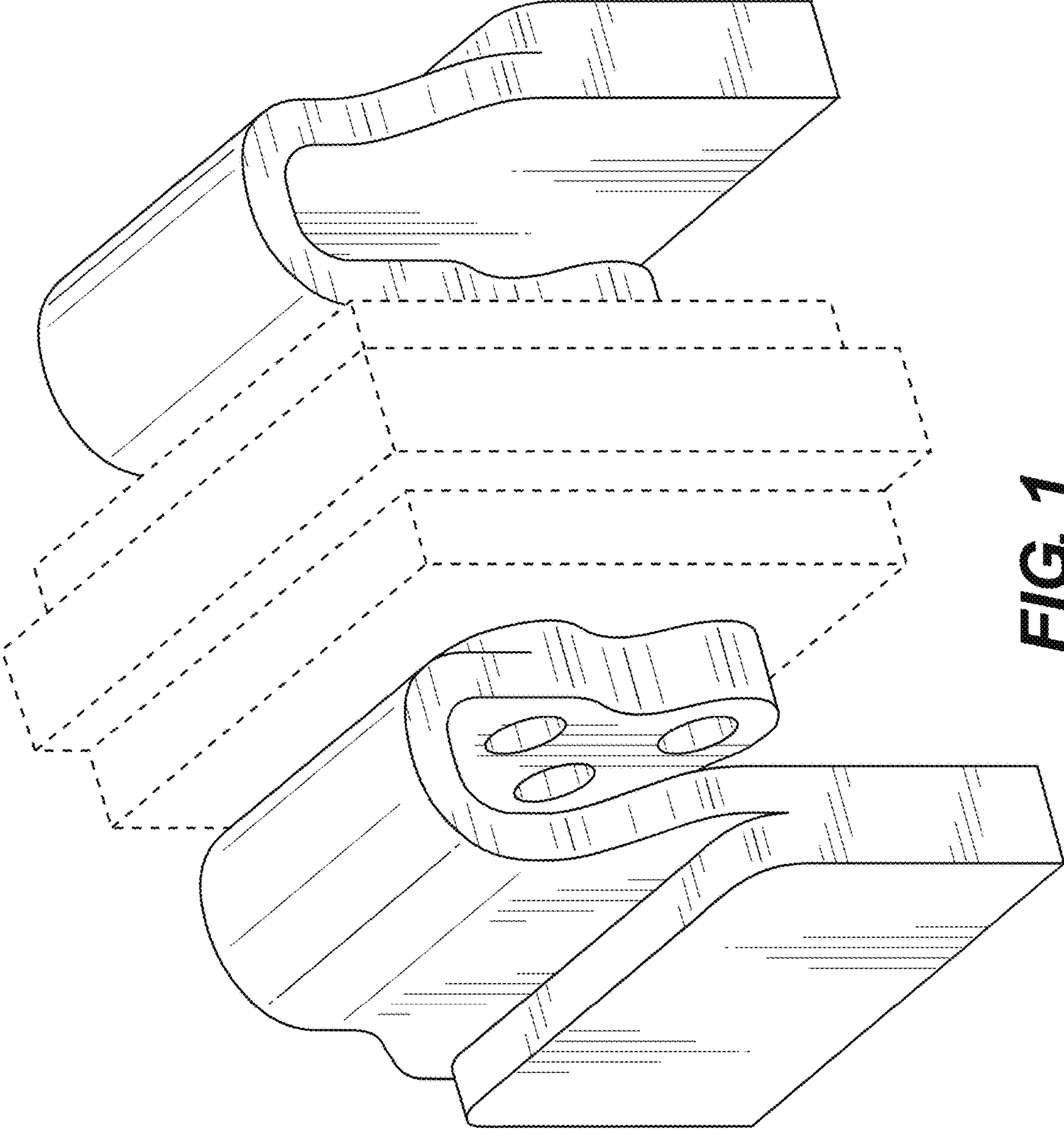
(56)

**References Cited**

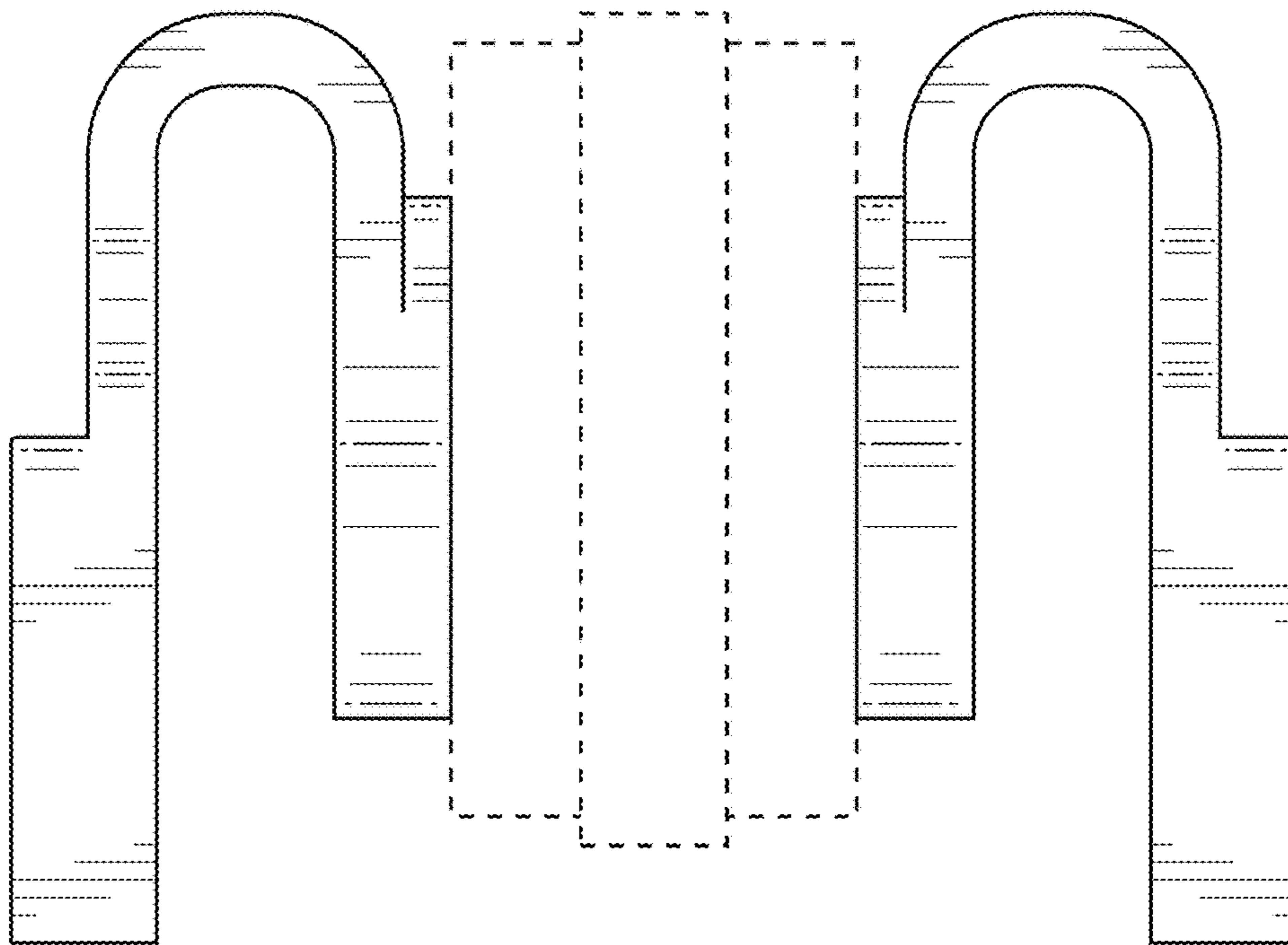
U.S. PATENT DOCUMENTS

D453,745	S	*	2/2002	Suenaga	.....	D13/180
D471,165	S	*	3/2003	Williams	.....	D13/182
D490,784	S	*	6/2004	Ishida	.....	D13/180
D499,385	S	*	12/2004	Ishida	.....	D13/180
D503,388	S	*	3/2005	Ishida	.....	D13/180
D504,404	S	*	4/2005	Ishida	.....	D13/180
D506,187	S	*	6/2005	Wang	.....	D13/180
D509,809	S	*	9/2005	Wang	.....	D13/180
D546,783	S	*	7/2007	Yoon	.....	D13/180
D573,552	S	*	7/2008	Kim	.....	D13/180
D605,612	S	*	12/2009	Hussell	.....	D13/180
D608,739	S	*	1/2010	Hussell	.....	D13/180
D614,592	S	*	4/2010	Hussell	.....	D13/180
D621,802	S	*	8/2010	Hussell	.....	D13/180
8,097,937	B2	*	1/2012	Bogner	.....	H01L 33/62 257/100
D669,040	S	*	10/2012	Hussell	.....	D13/180
D682,079	S	*	5/2013	Chou	.....	D8/380
D684,545	S	*	6/2013	Chan	.....	D13/180
D691,100	S	*	10/2013	Chan	.....	D13/180
D718,253	S	*	11/2014	Zerebilov	.....	D13/154
D727,268	S	*	4/2015	Buck	.....	D13/154
D727,852	S	*	4/2015	Buck	.....	D13/154
D748,063	S	*	1/2016	Buck	.....	D13/154
D750,025	S	*	2/2016	Buck	.....	D13/147
D750,030	S	*	2/2016	Zerebilov	.....	D13/154
D761,971	S	*	7/2016	Apanovich	.....	D25/119
9,392,713	B2	*	7/2016	Au	.....	H01L 23/055
D790,471	S	*	6/2017	Buck	.....	D13/147
2004/0075100	A1	*	4/2004	Bogner	.....	H01L 33/62 257/99
2010/0013084	A1	*	1/2010	Medeiros	.....	H01L 23/055 257/693
2010/0270669	A1	*	10/2010	Medeiros	.....	H01L 23/055 257/692
2013/0099369	A1	*	4/2013	Shimane	.....	H01L 23/055 257/698

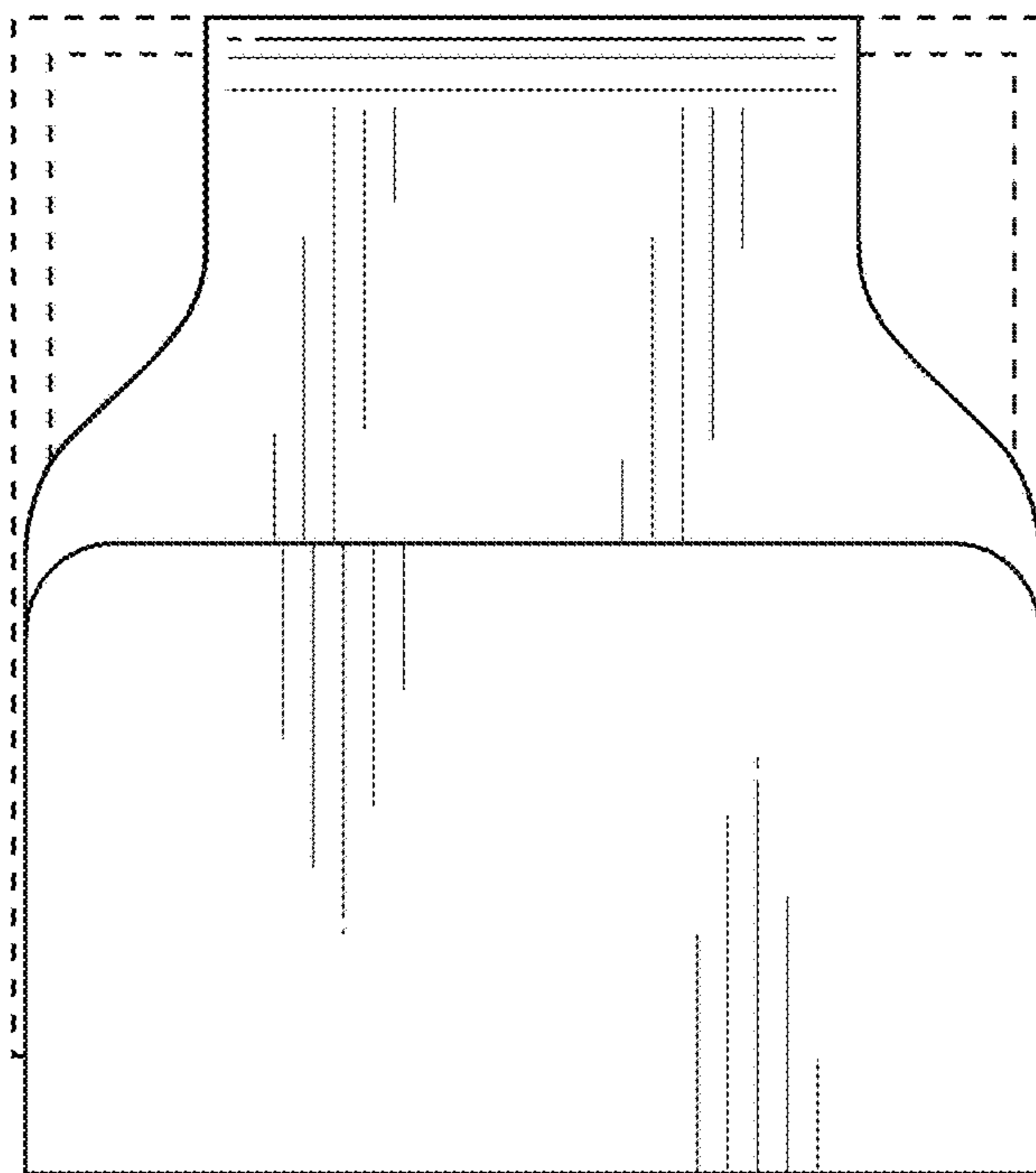
\* cited by examiner



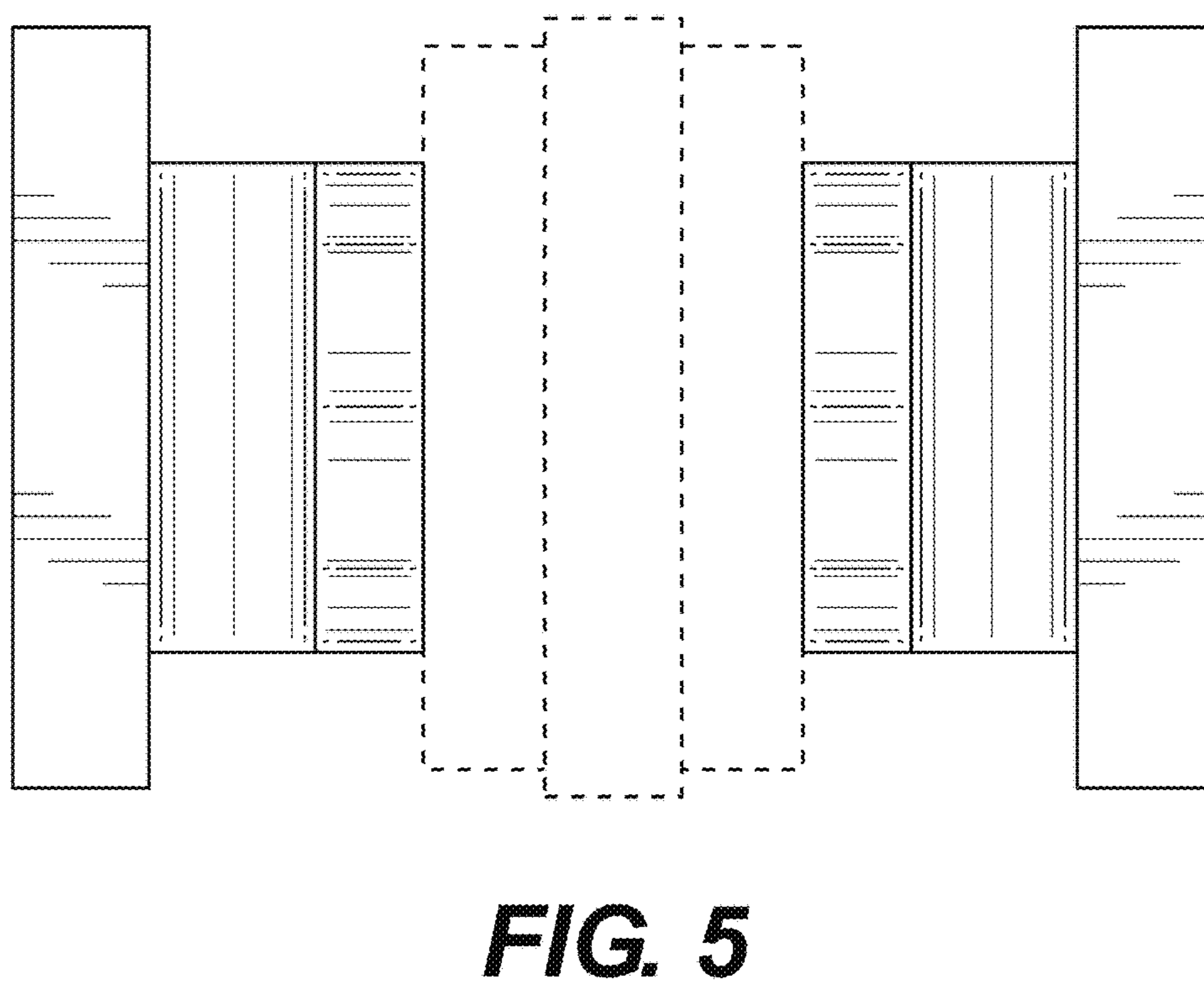
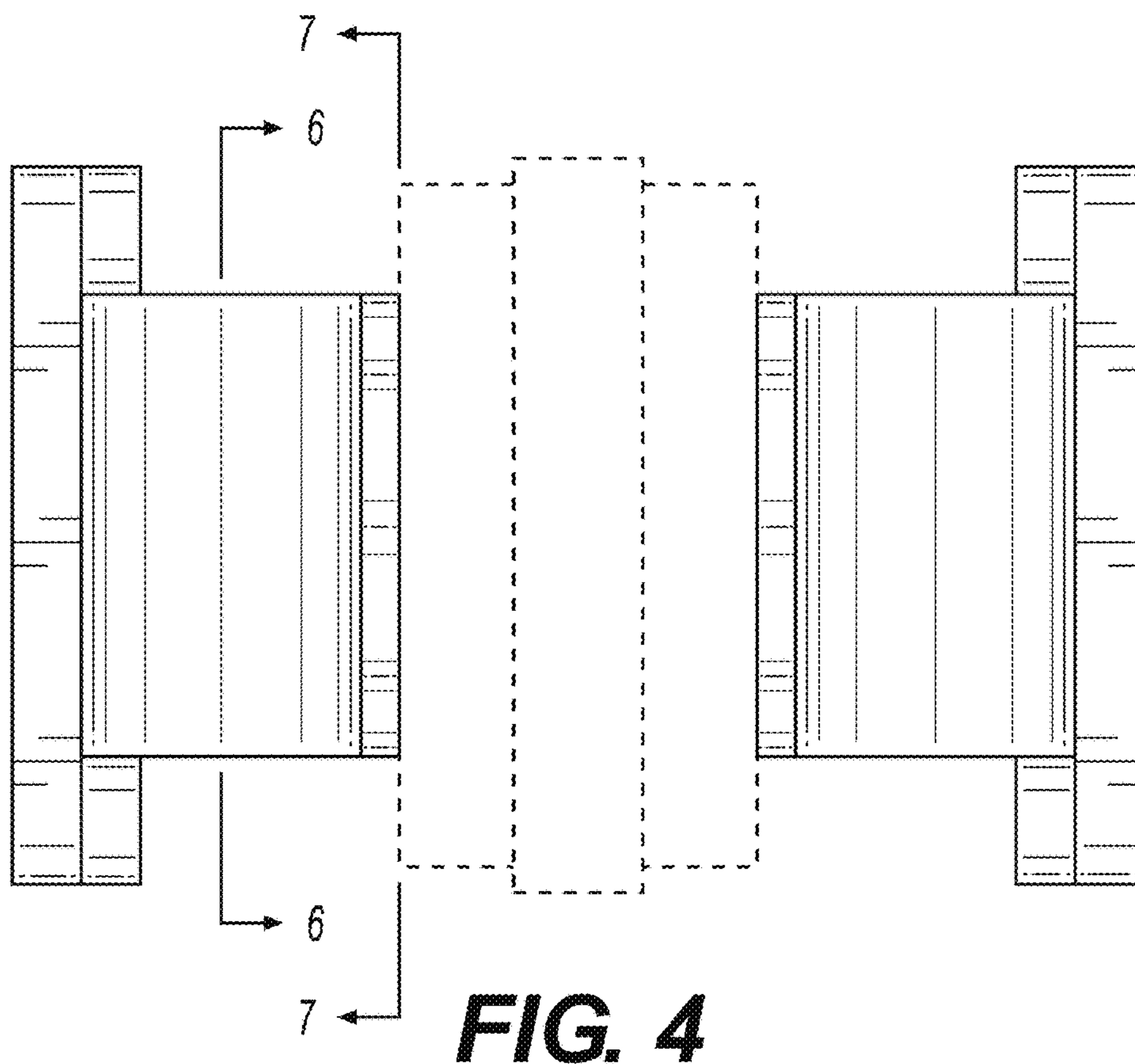
**FIG. 1**

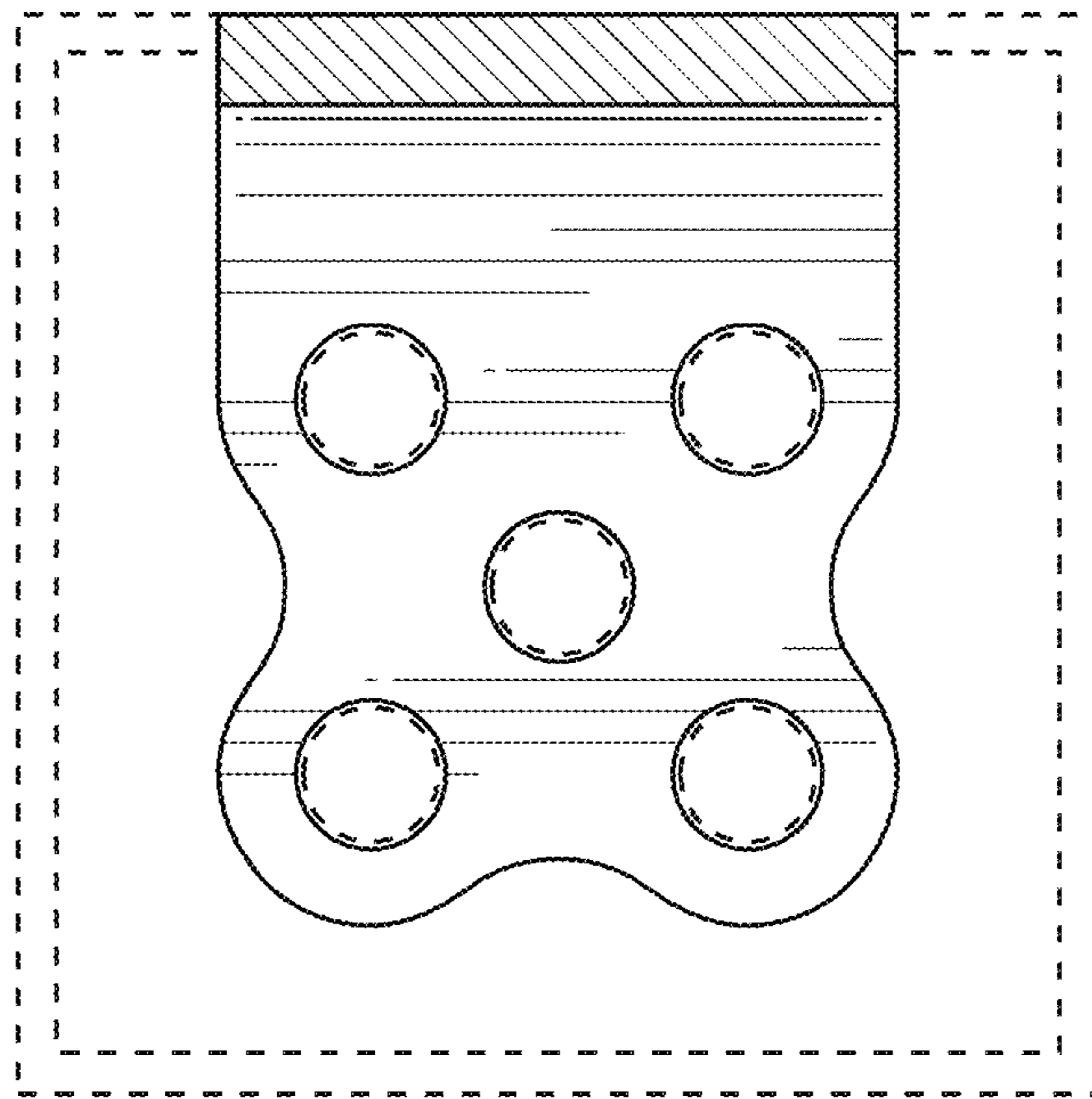


**FIG. 2**

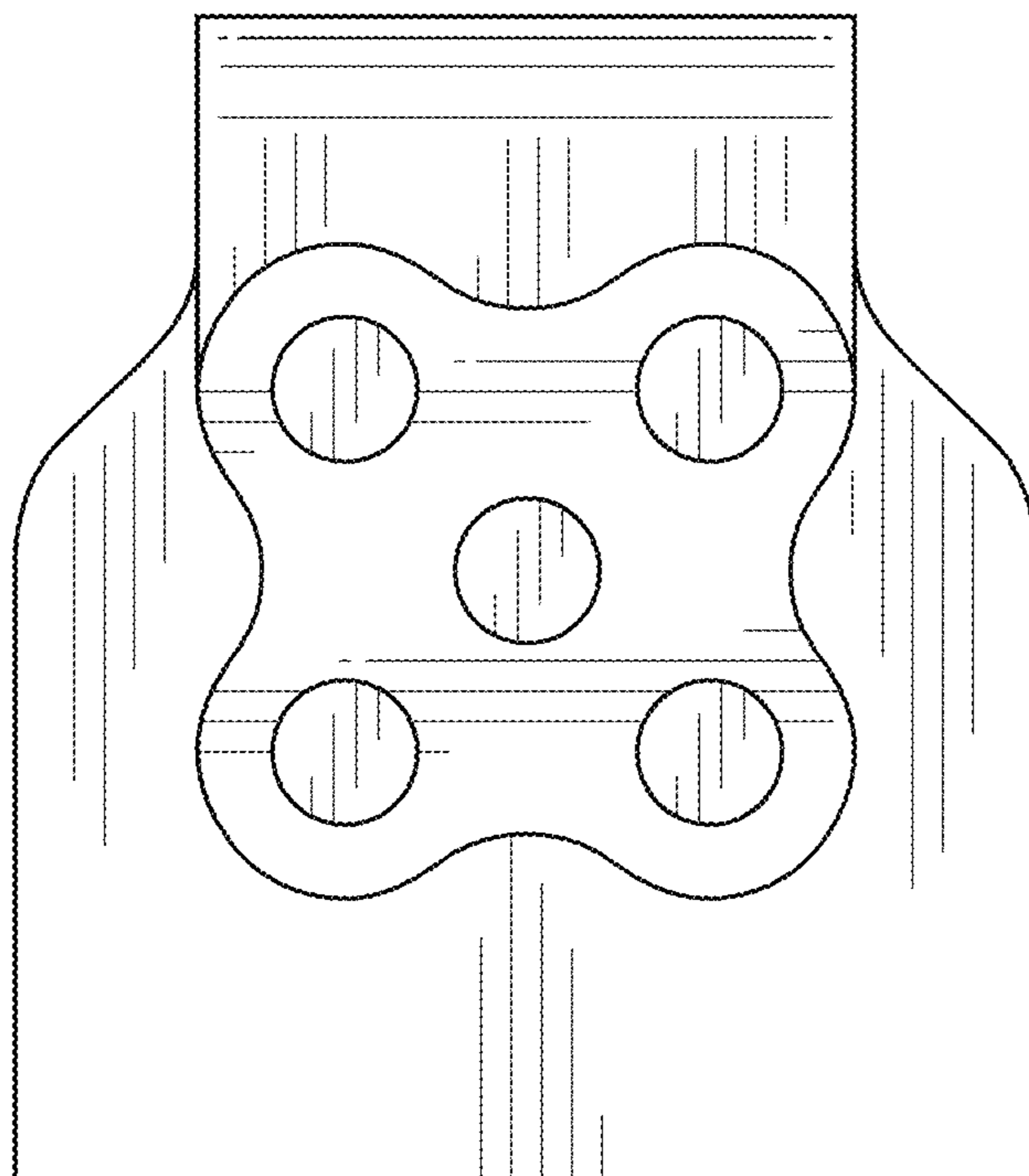


**FIG. 3**

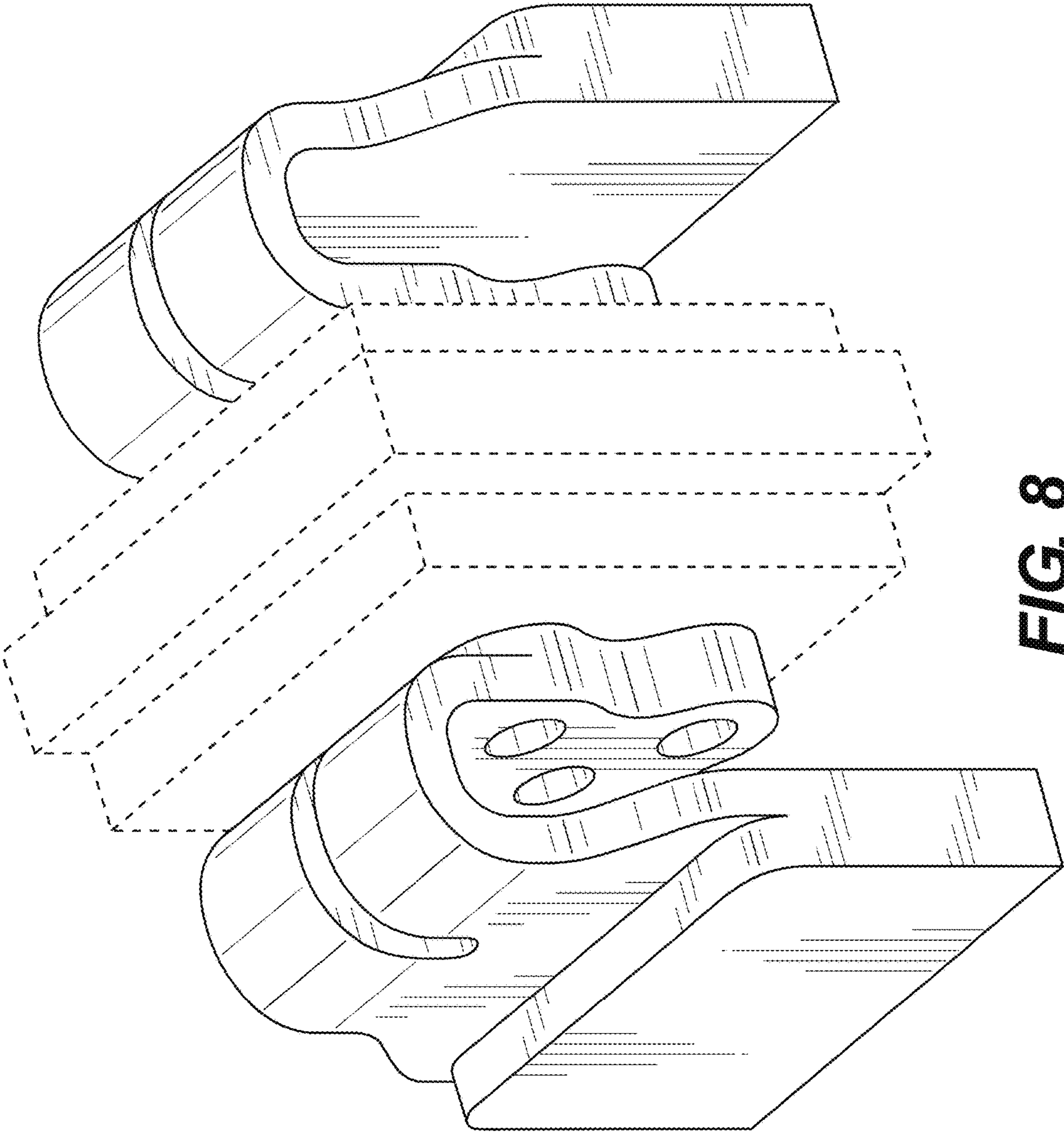




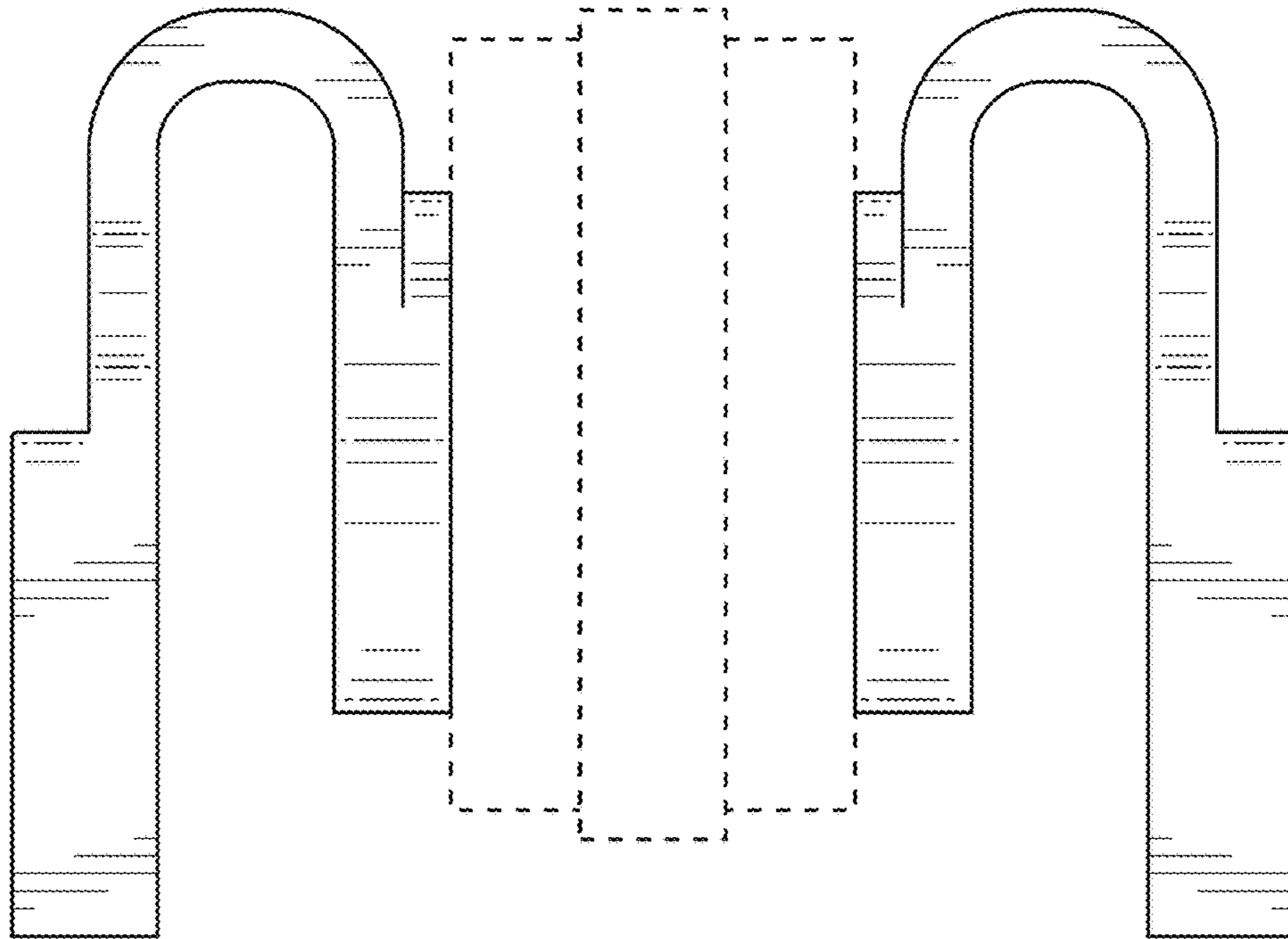
**FIG. 6**



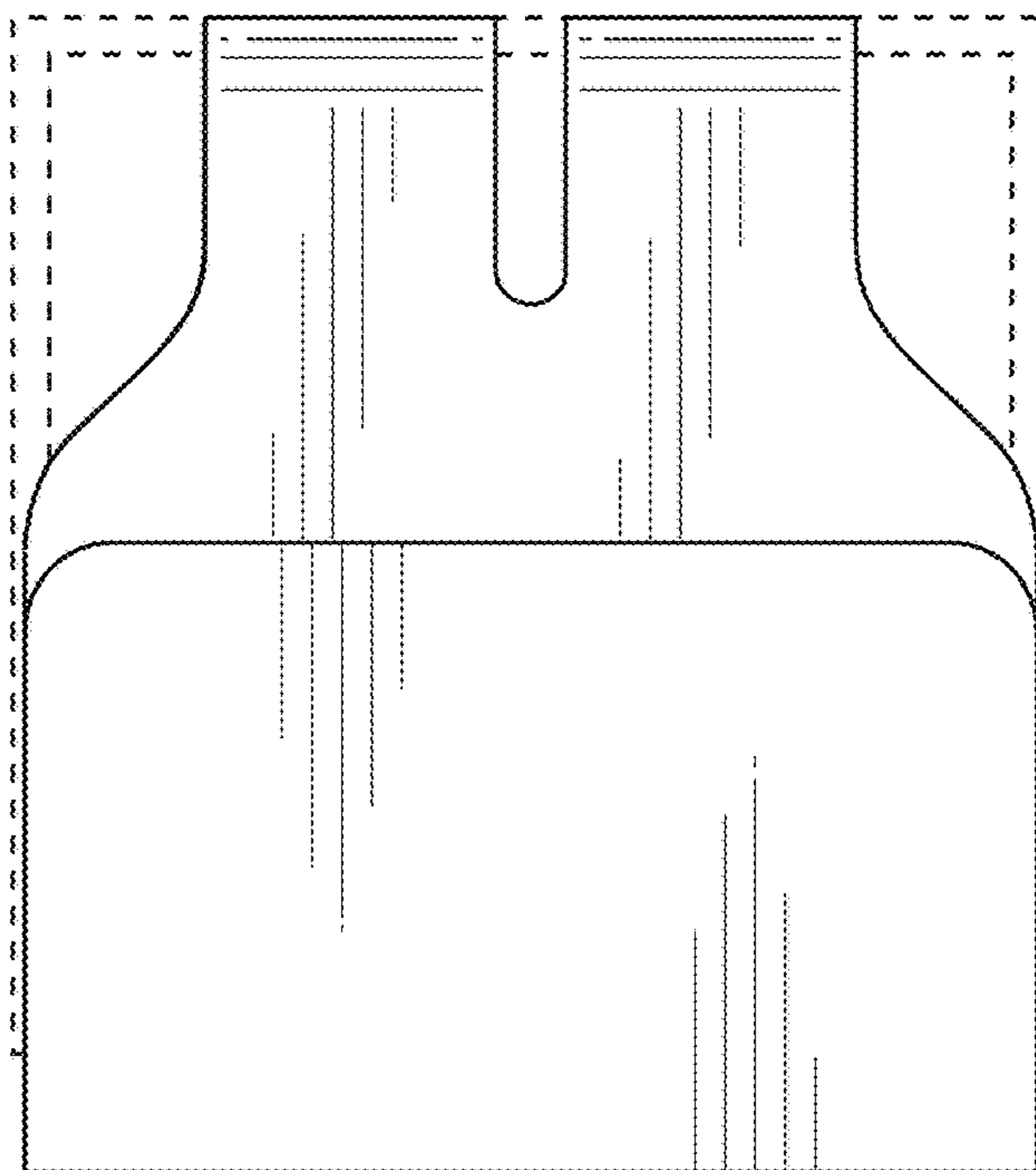
**FIG. 7**



**FIG. 8**

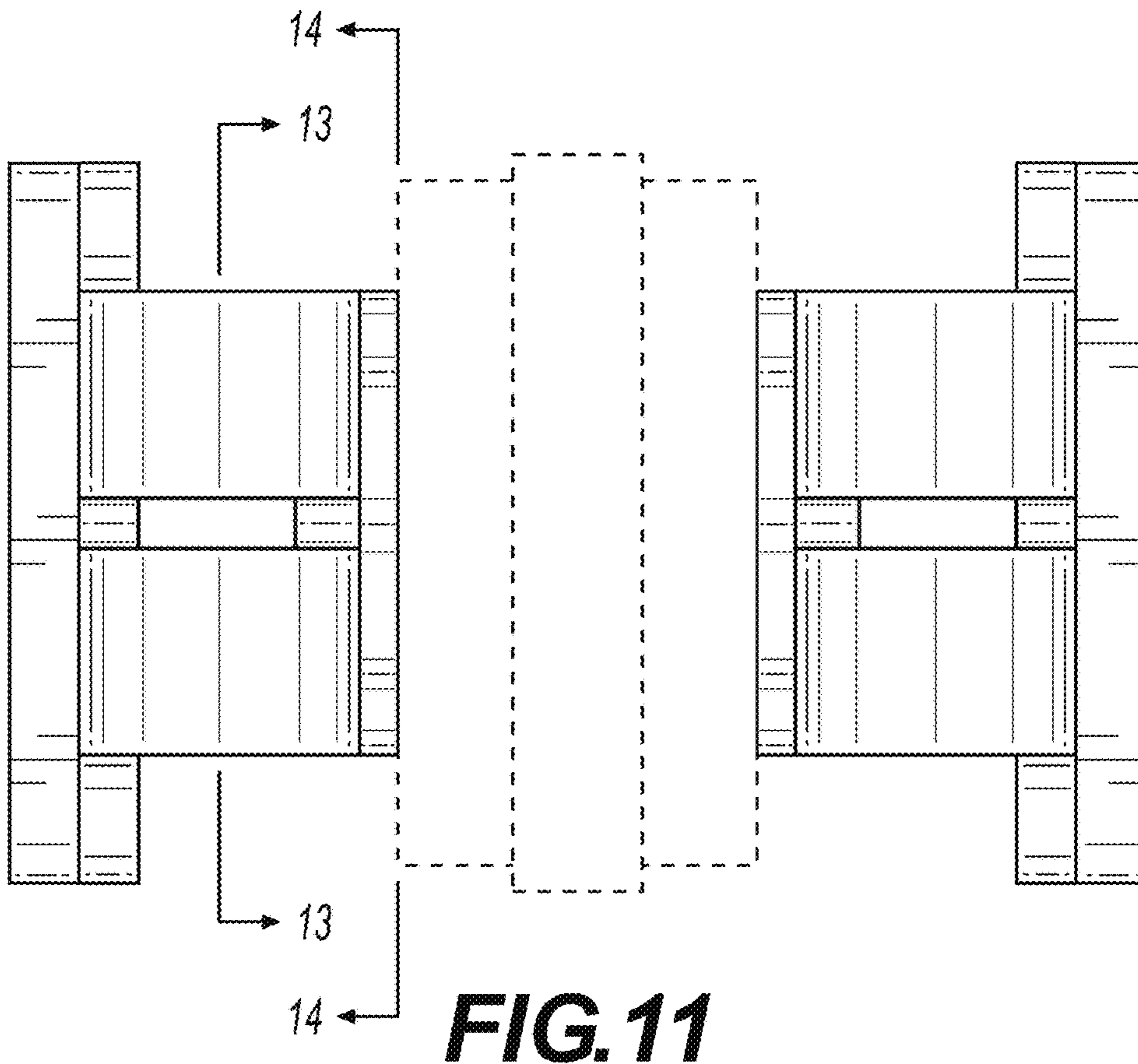


**FIG. 9**

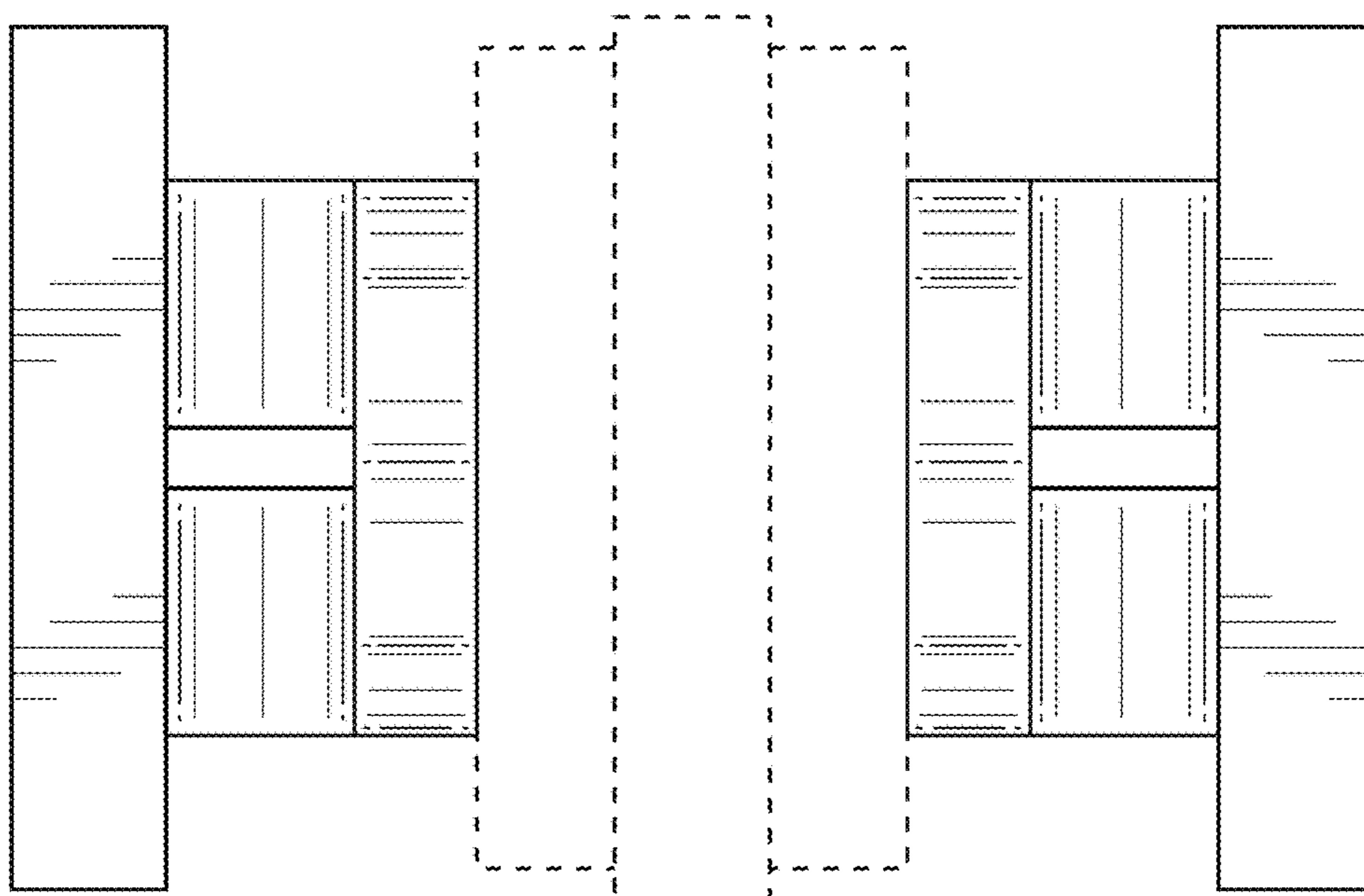


**FIG. 10**

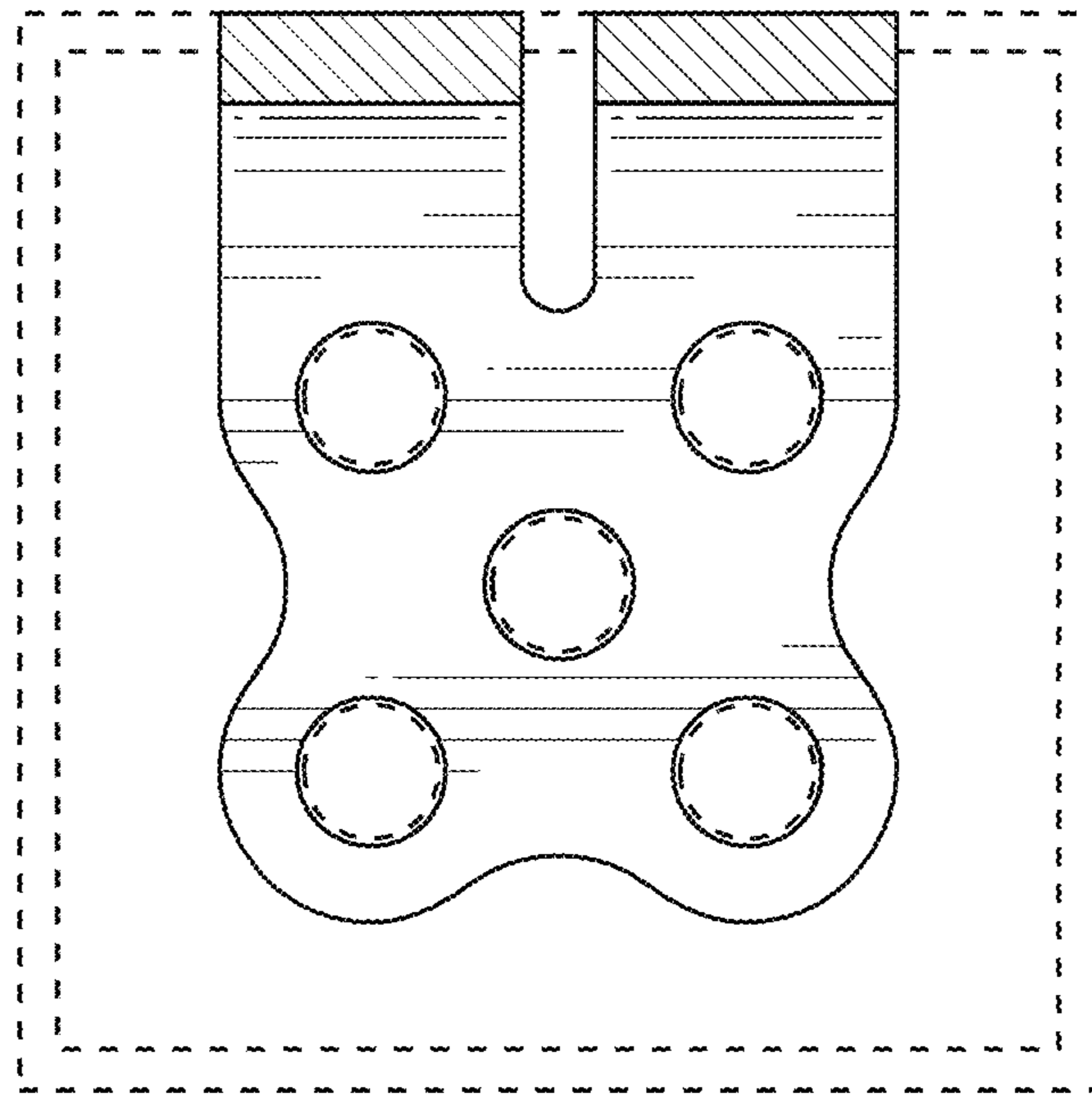




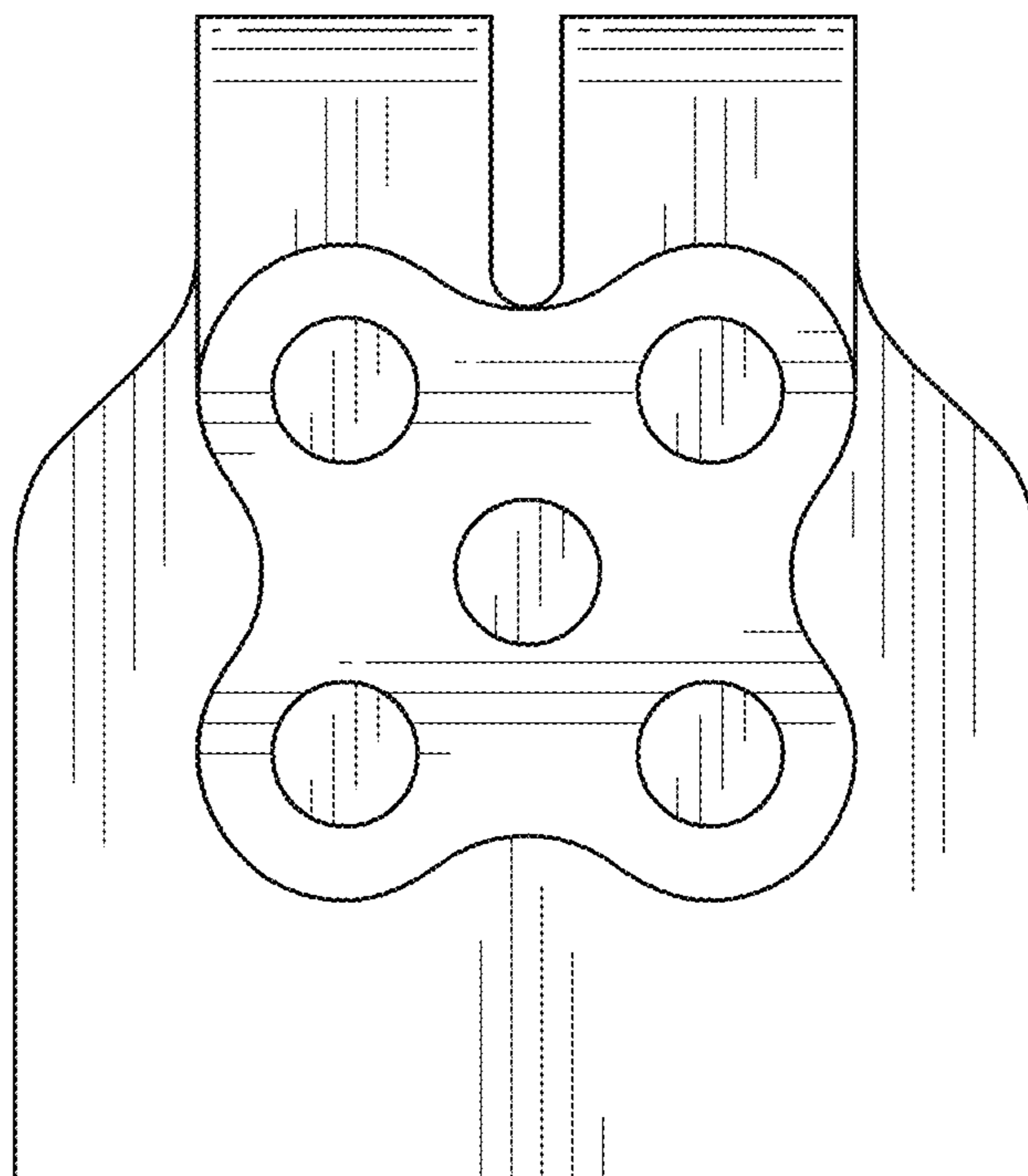
**FIG. 11**



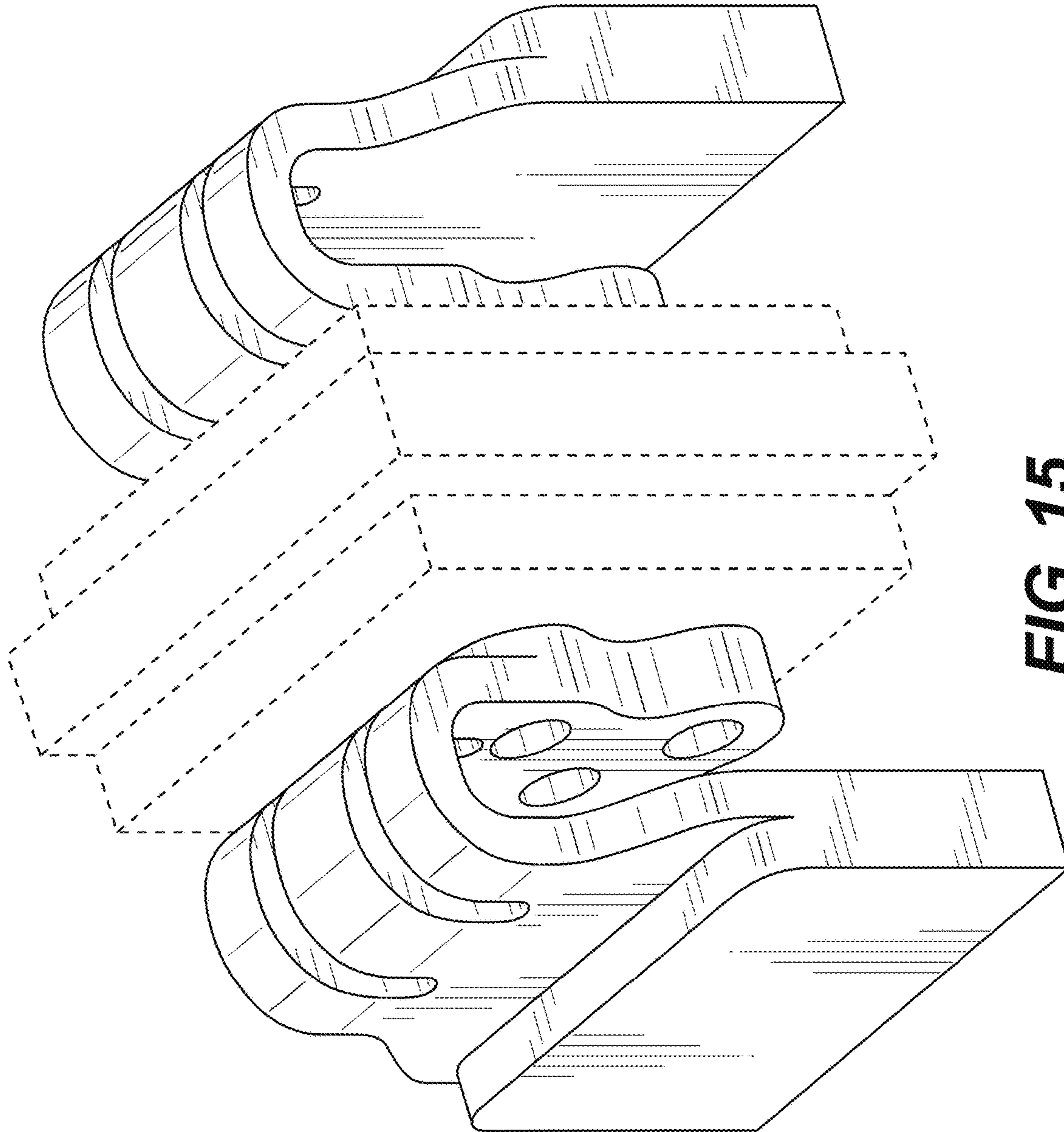
**FIG. 12**



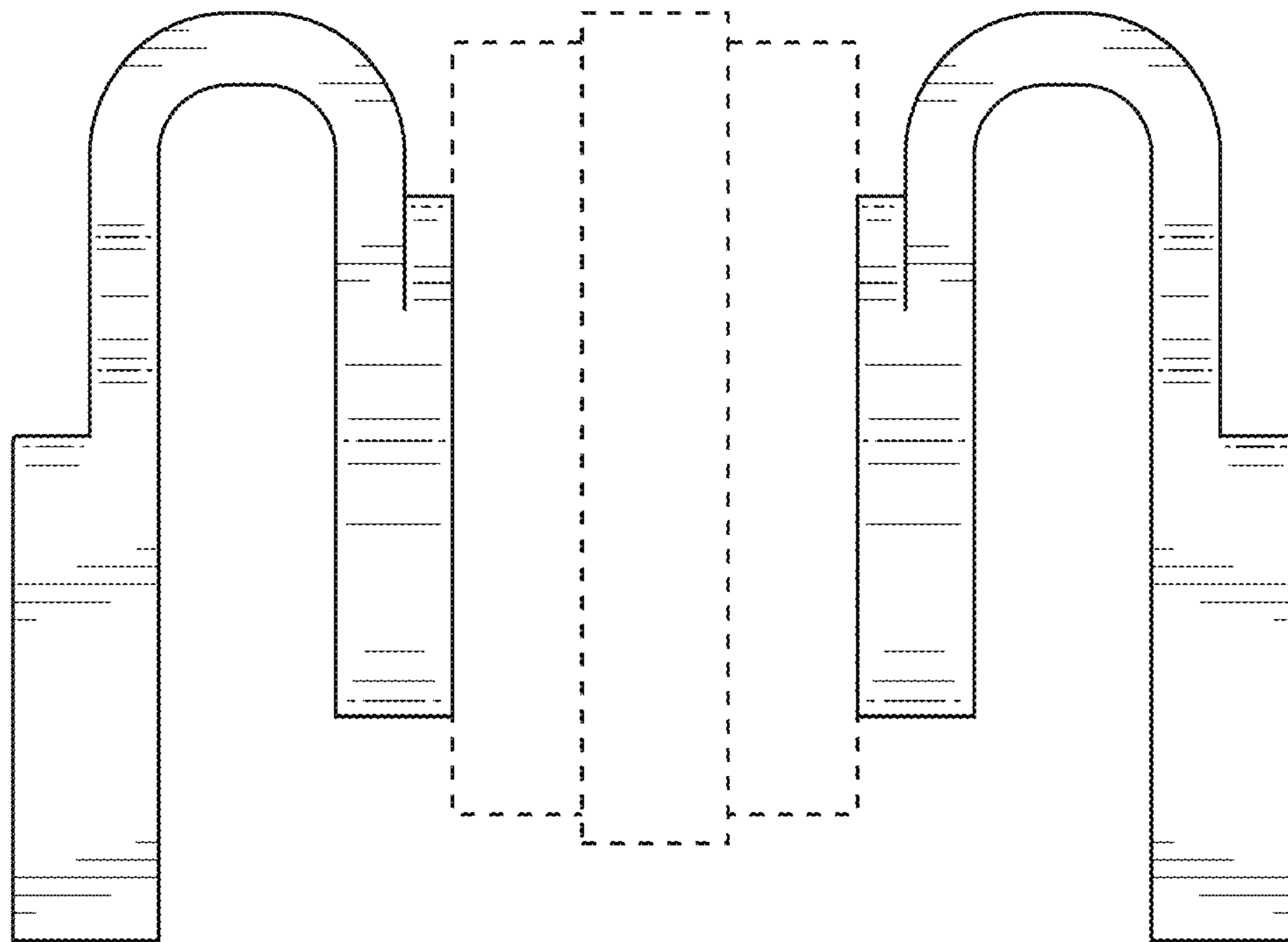
**FIG. 13**



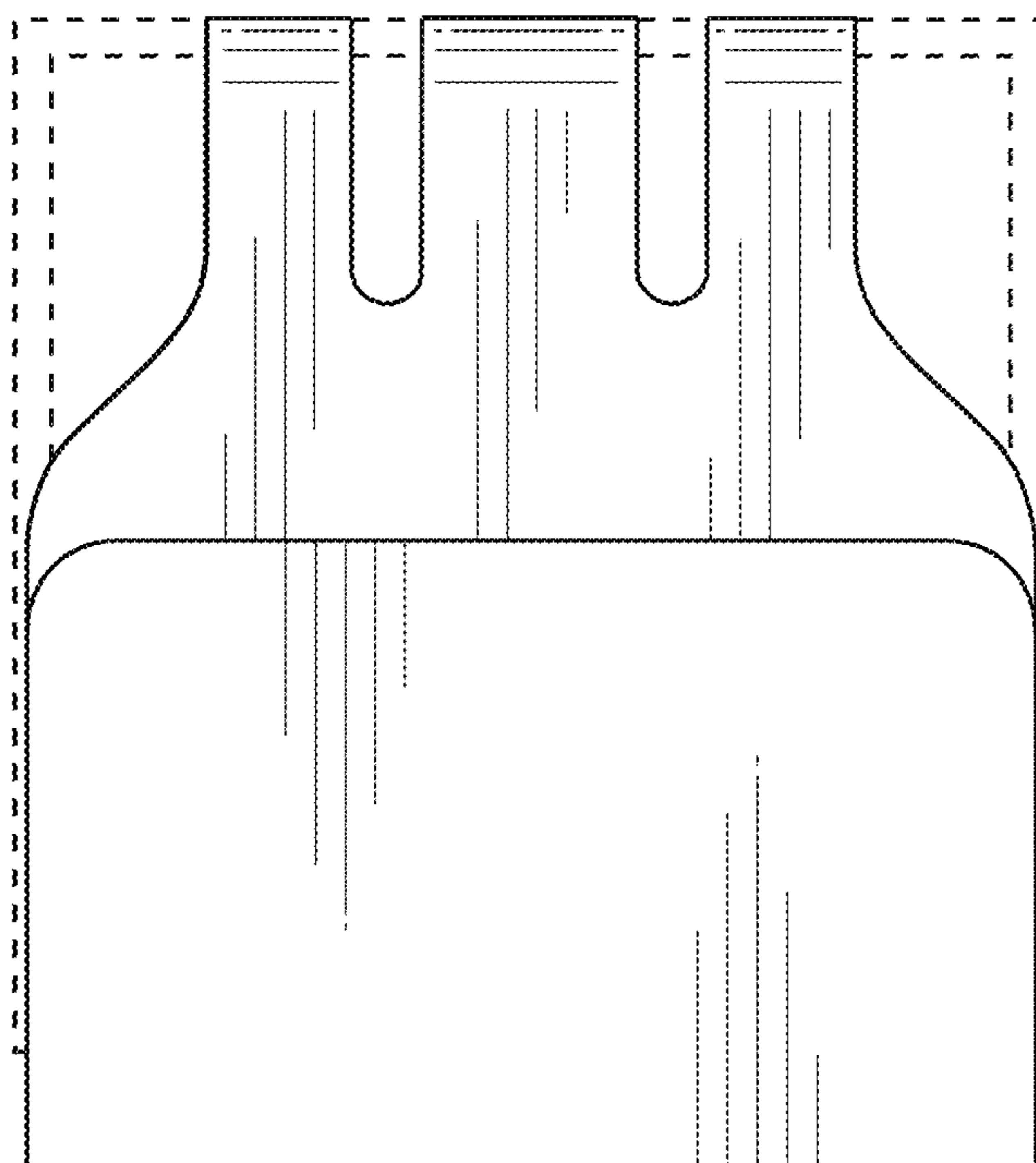
**FIG. 14**



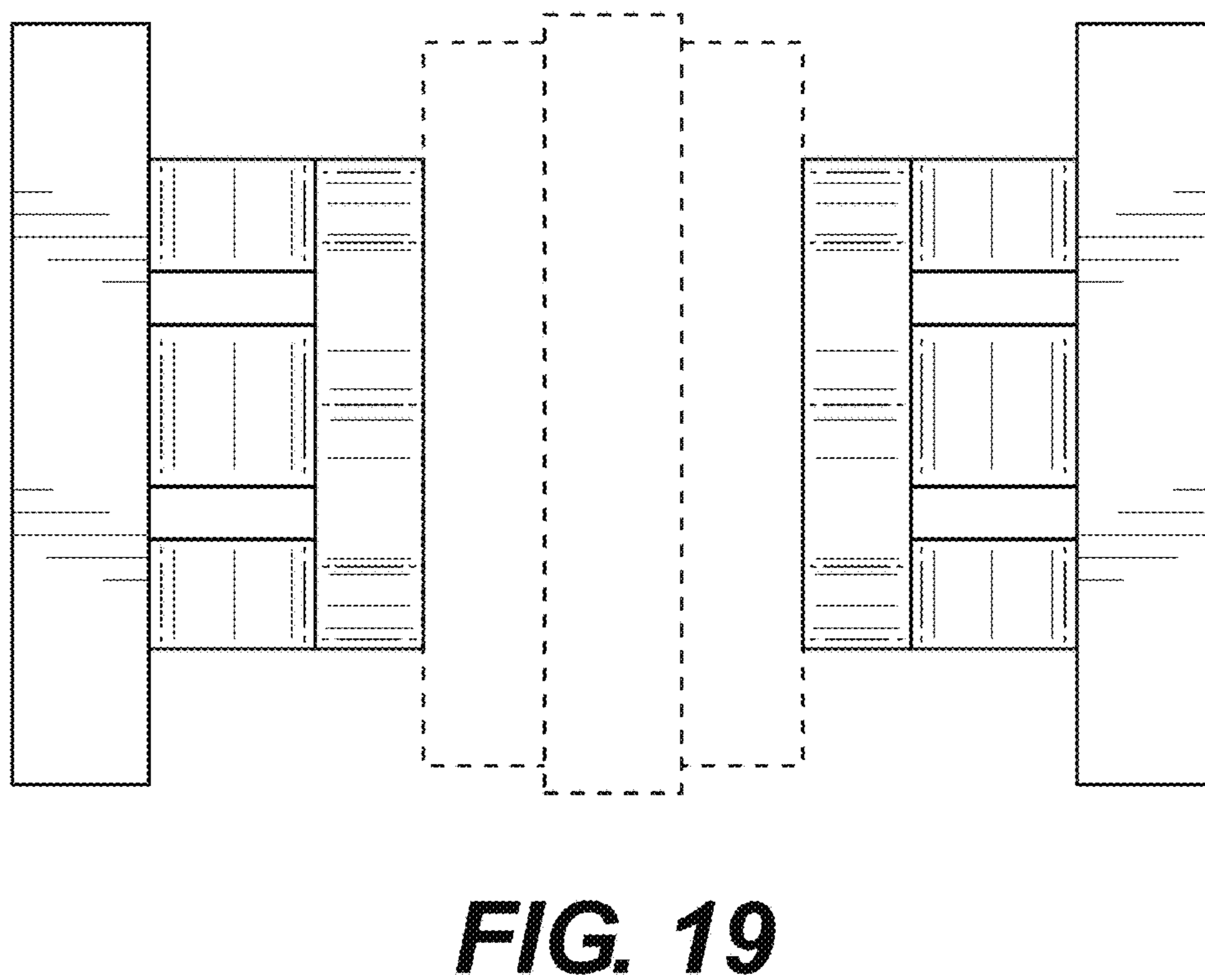
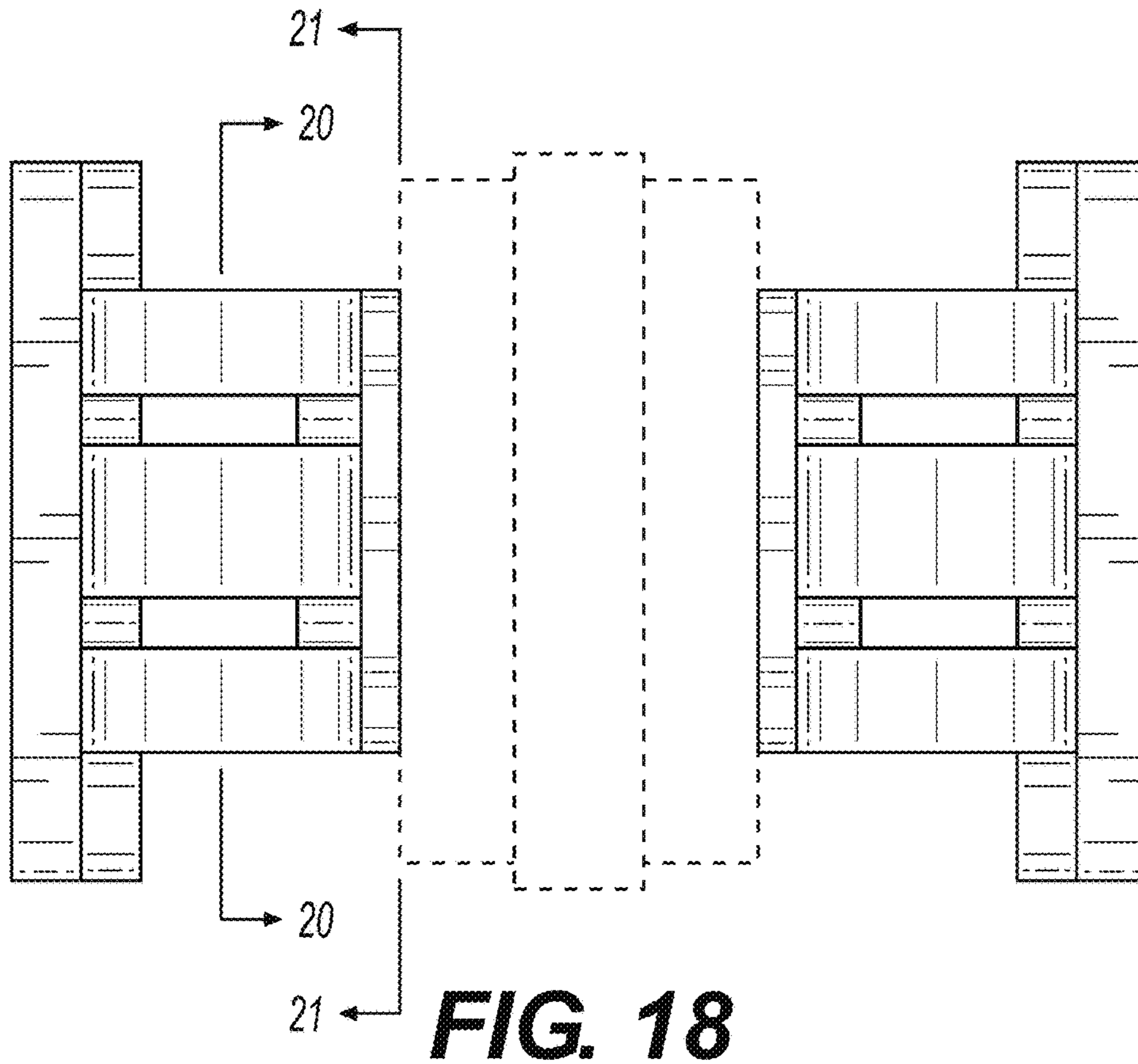
**FIG. 15**

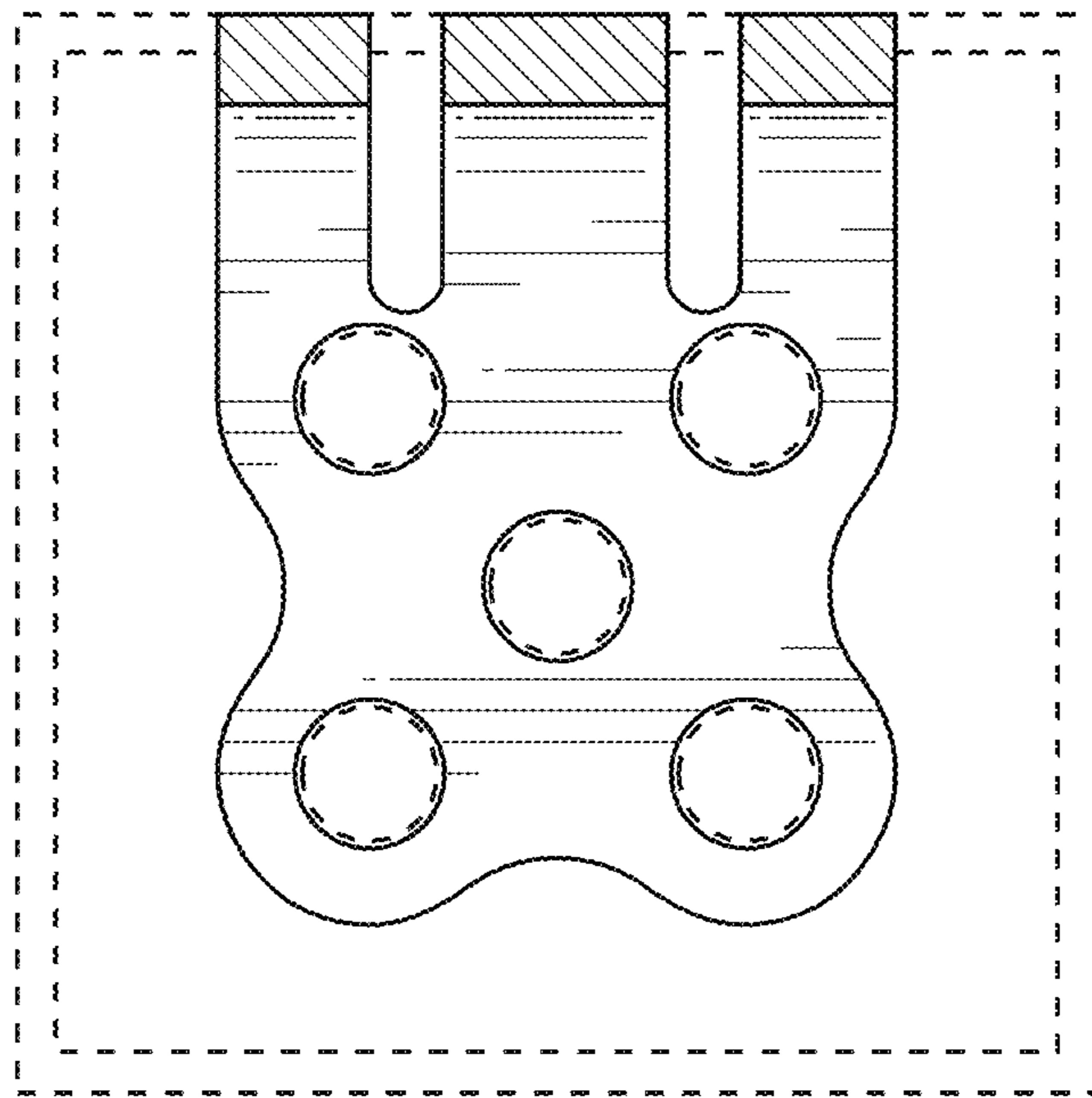


**FIG. 16**

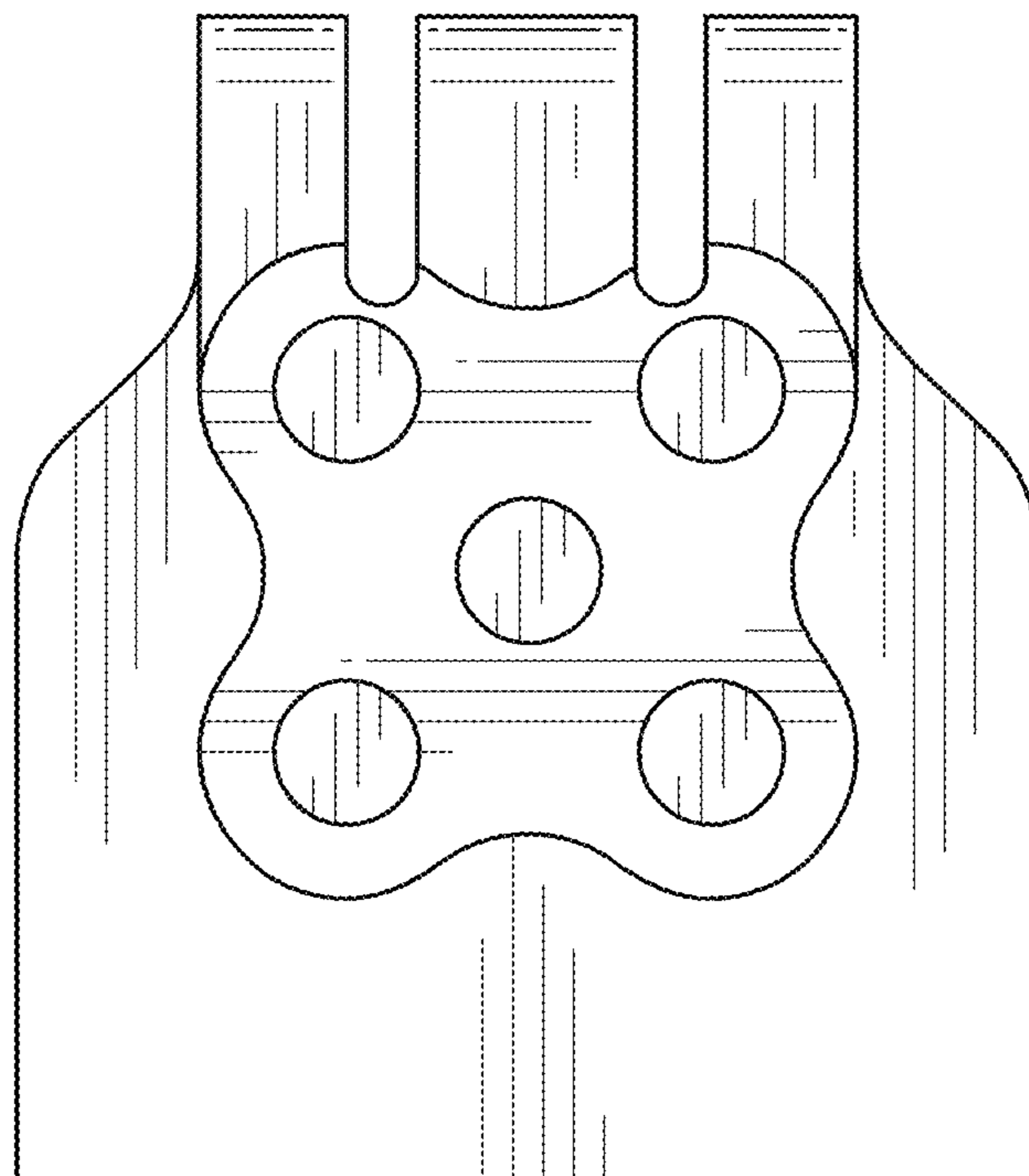


**FIG. 17**

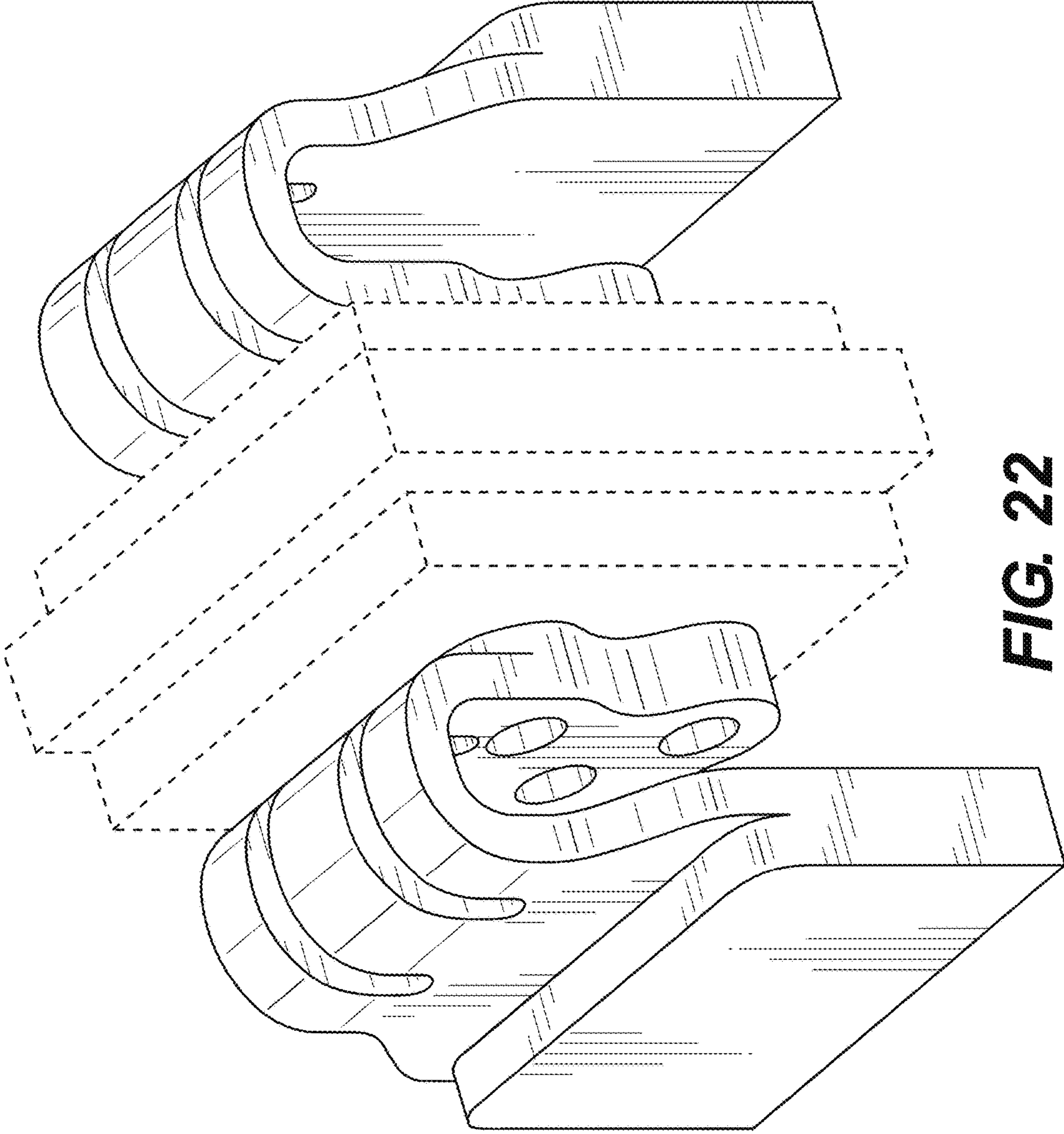




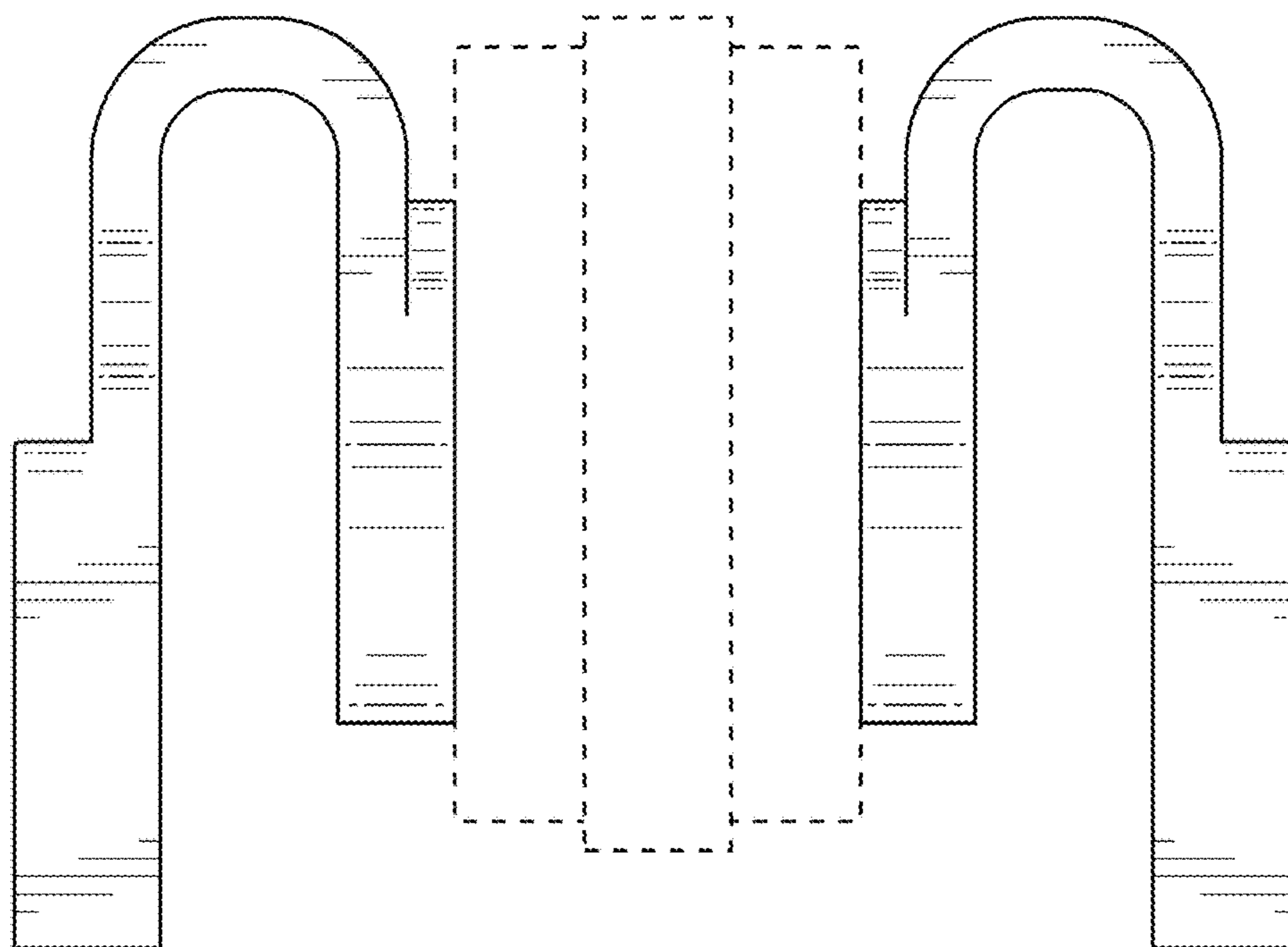
**FIG. 20**



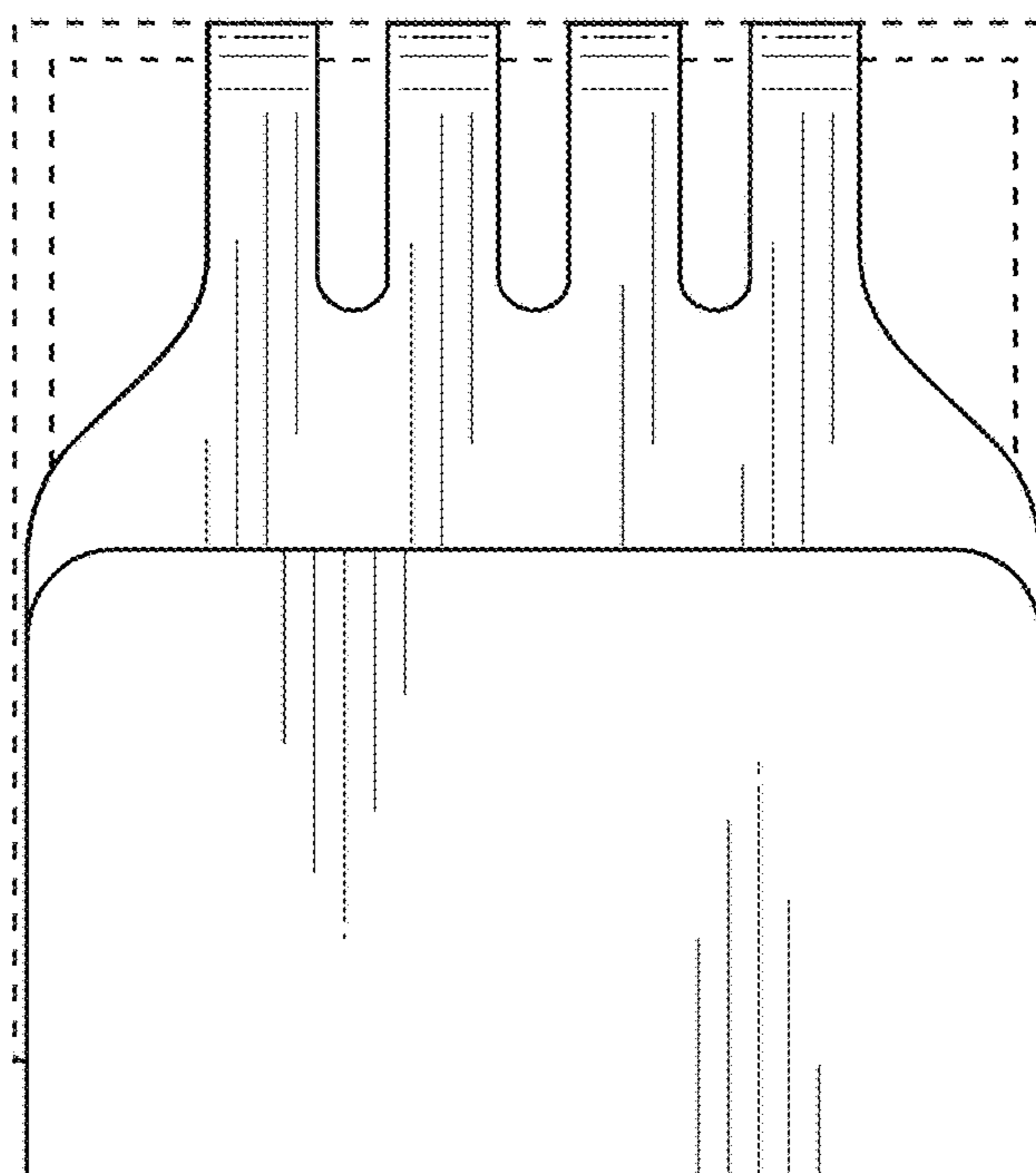
**FIG. 21**



**FIG. 22**

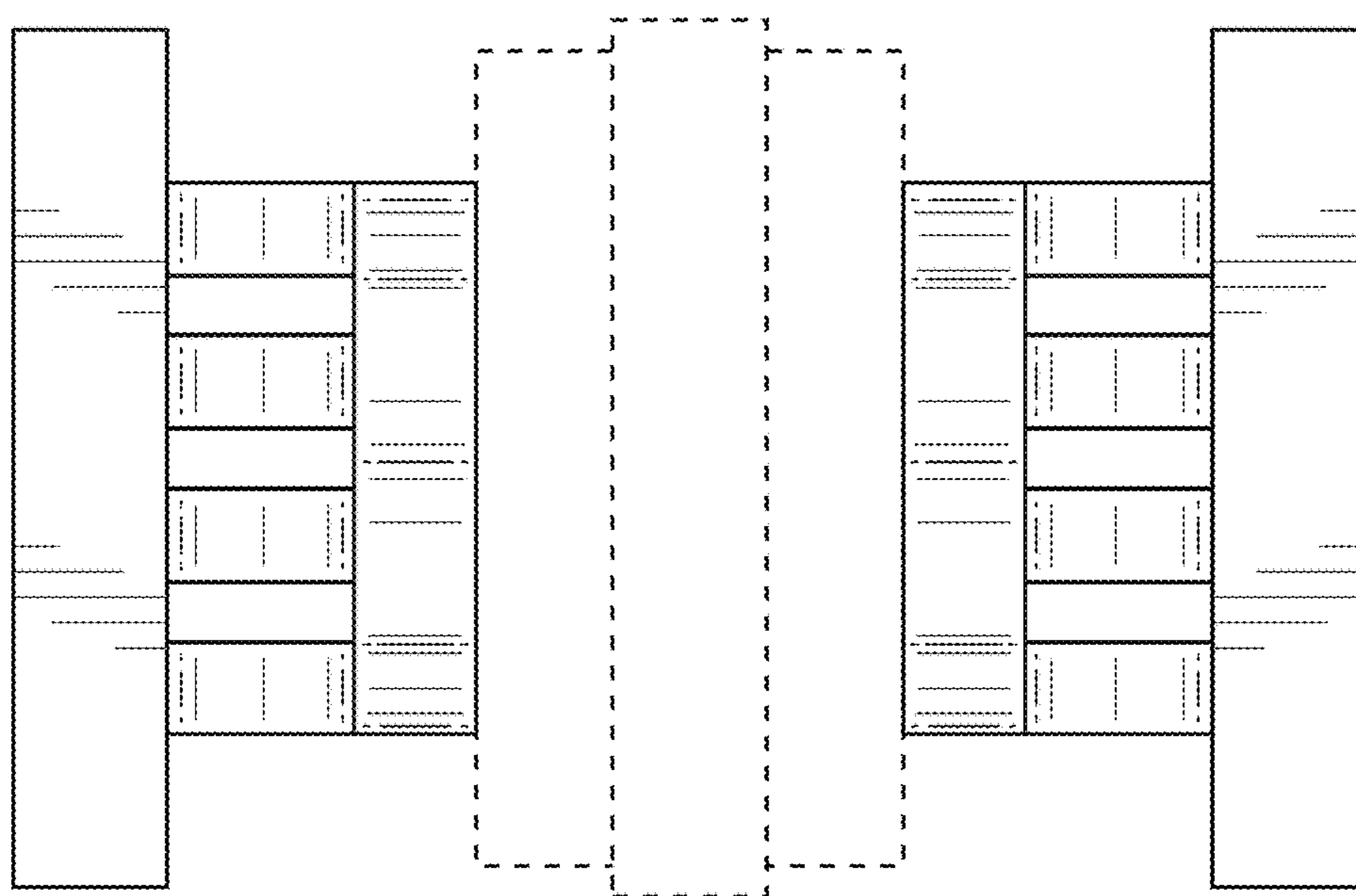
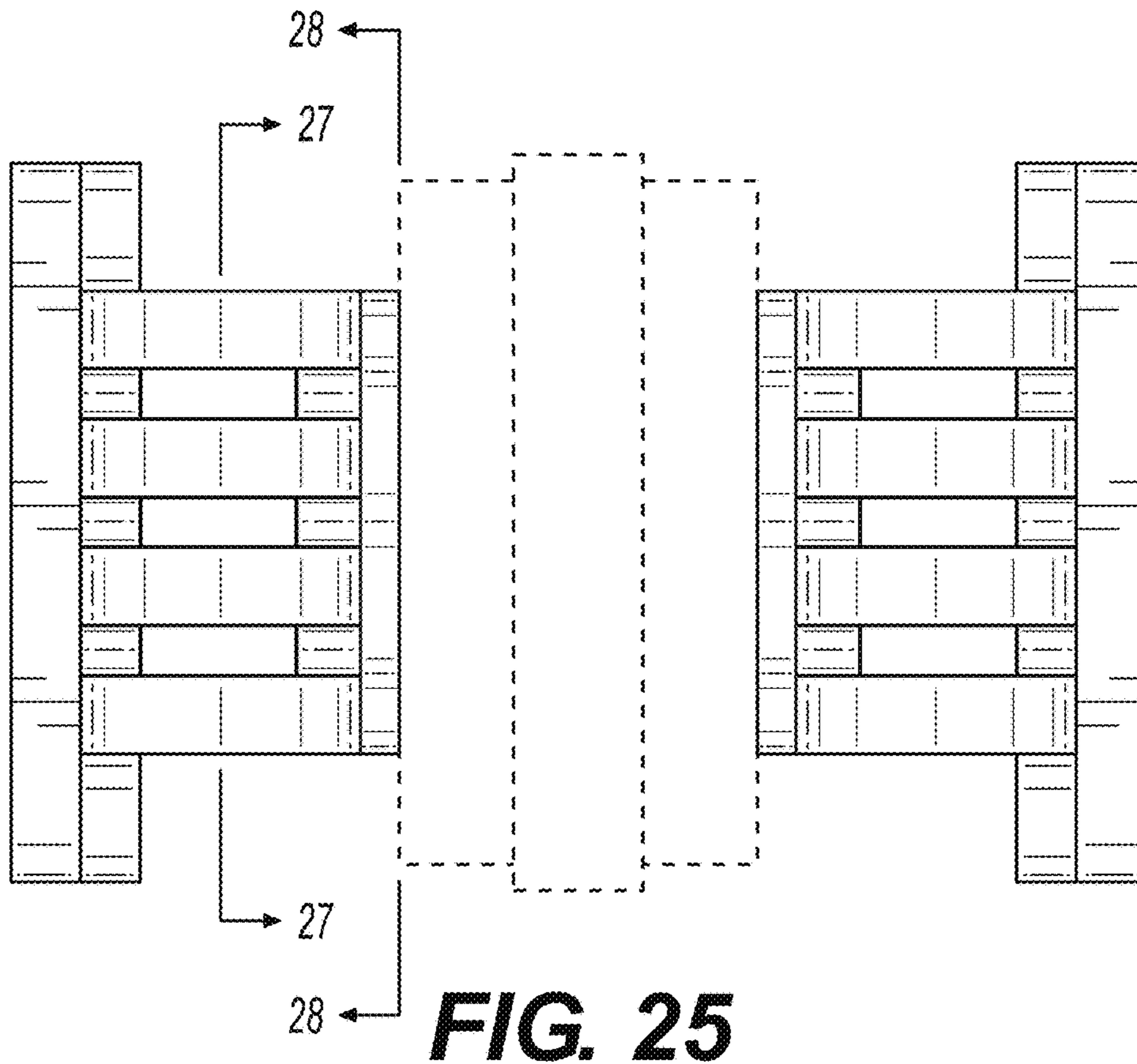


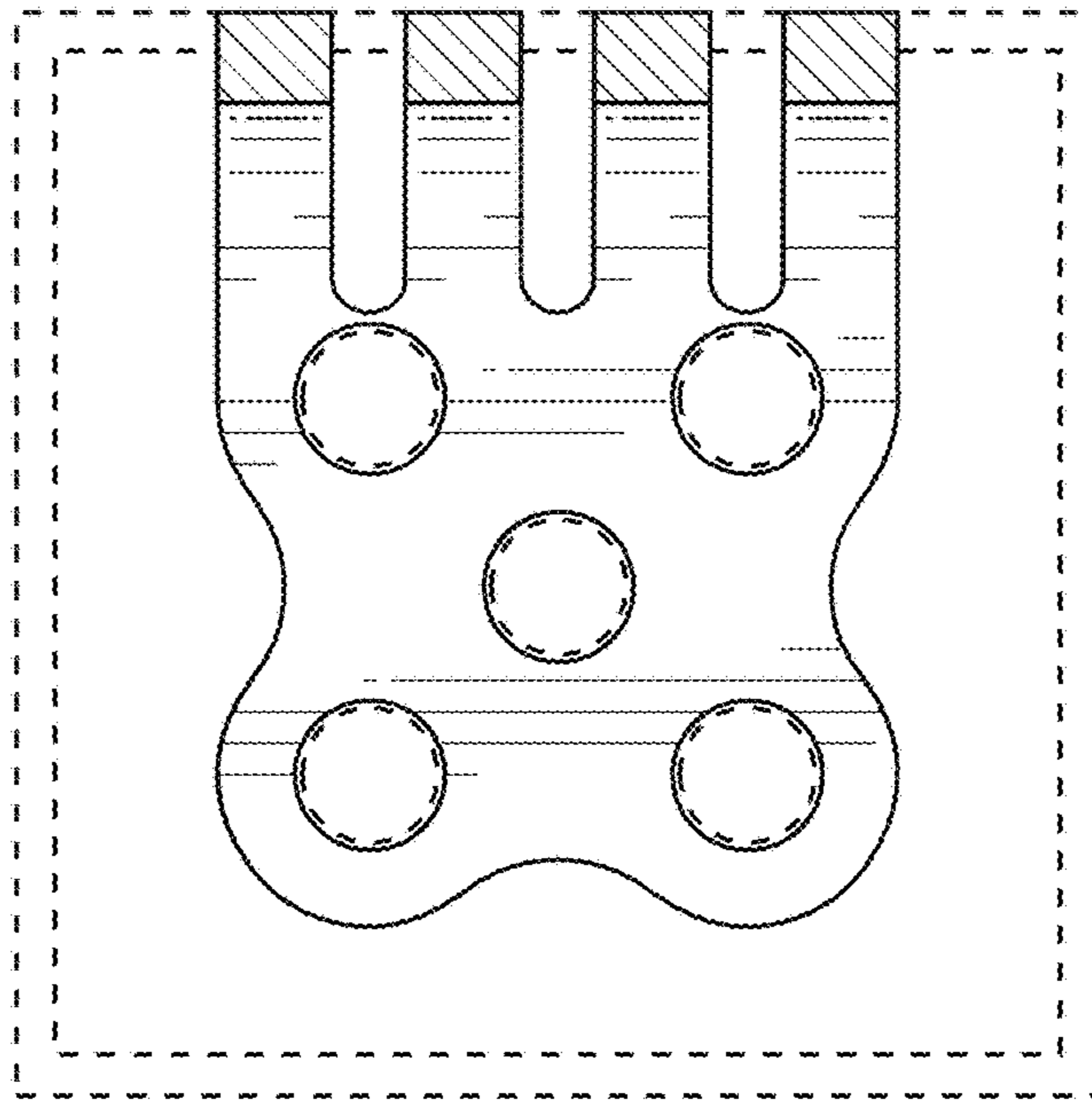
**FIG. 23**



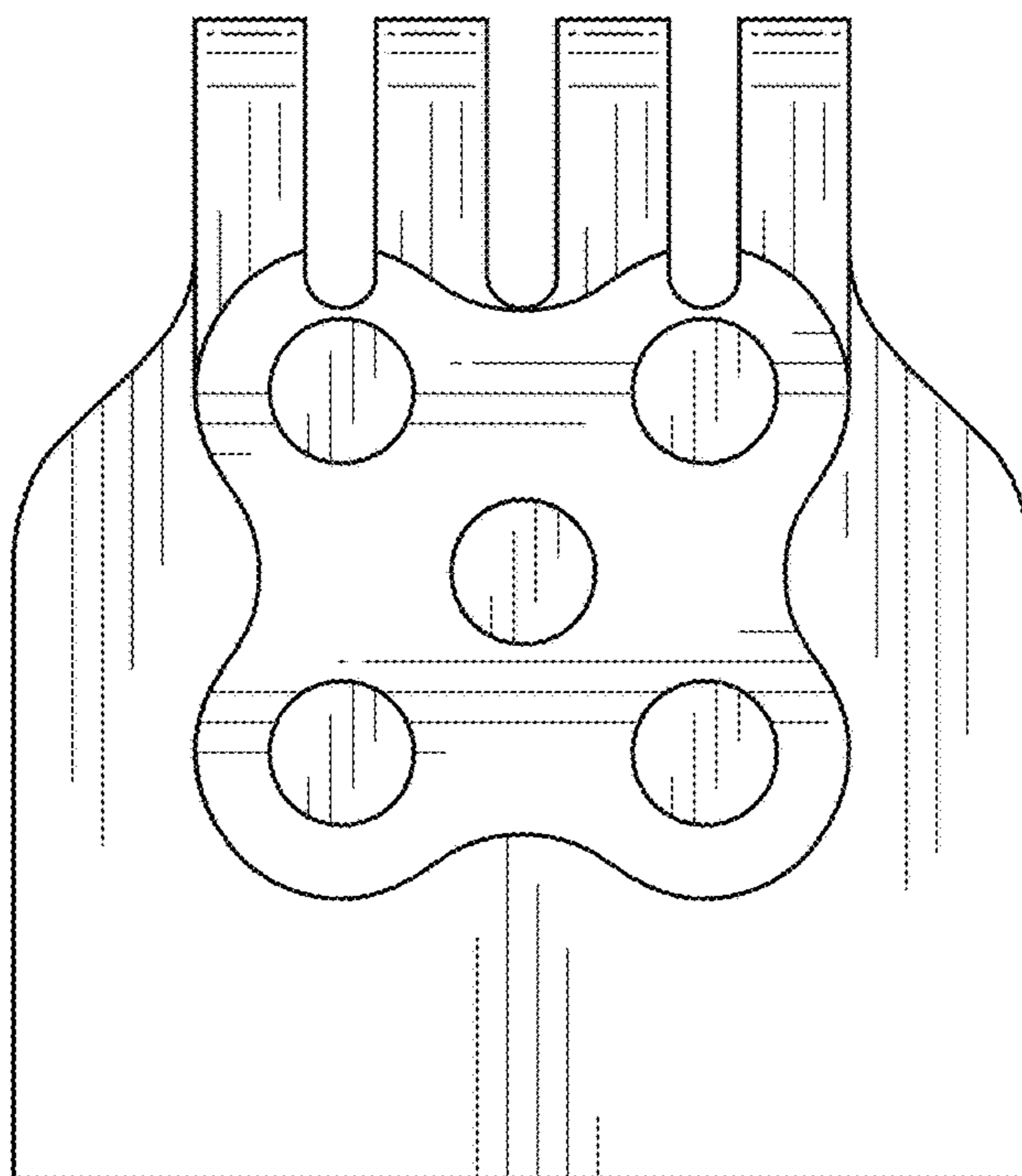
**FIG. 24**



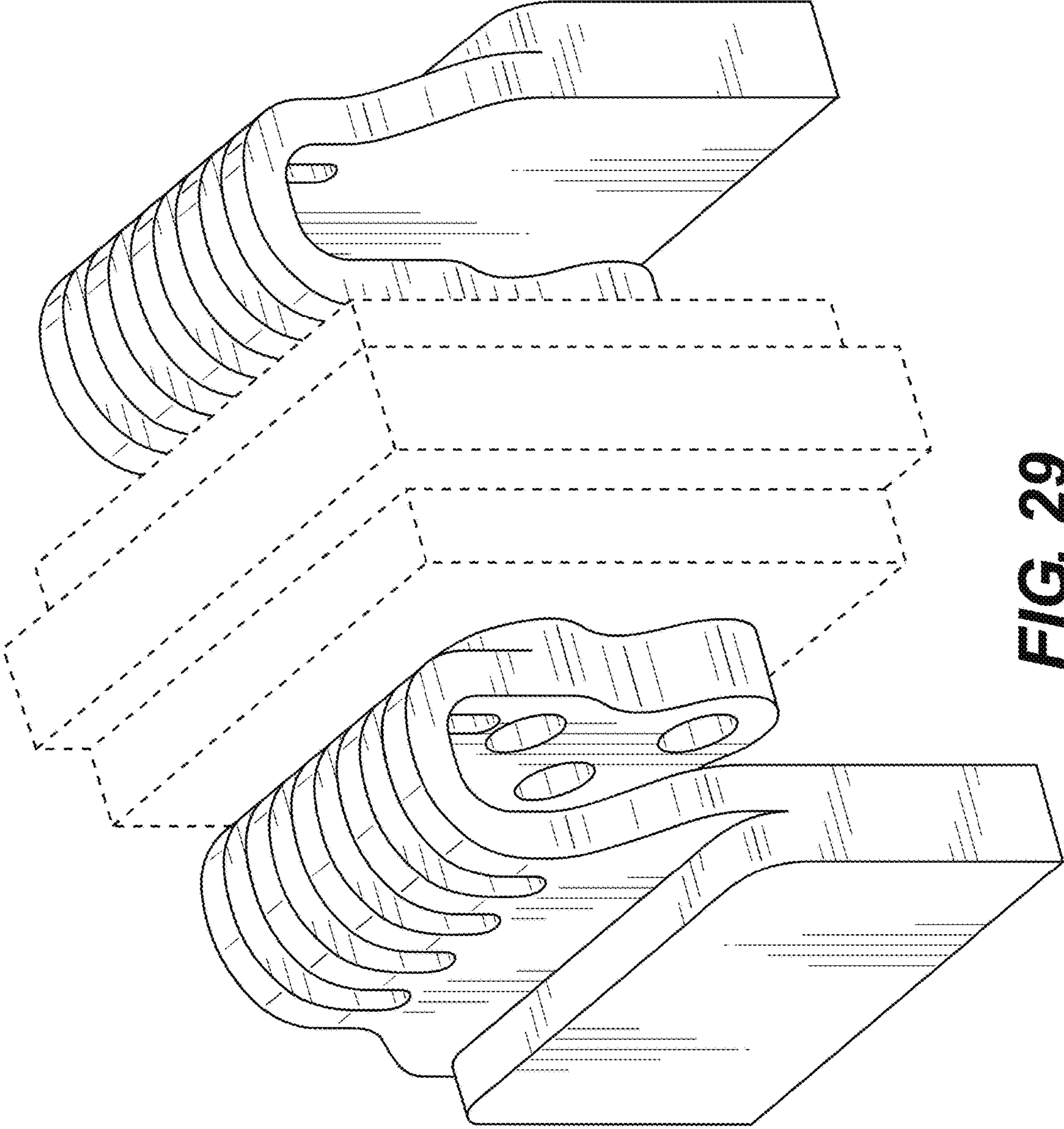




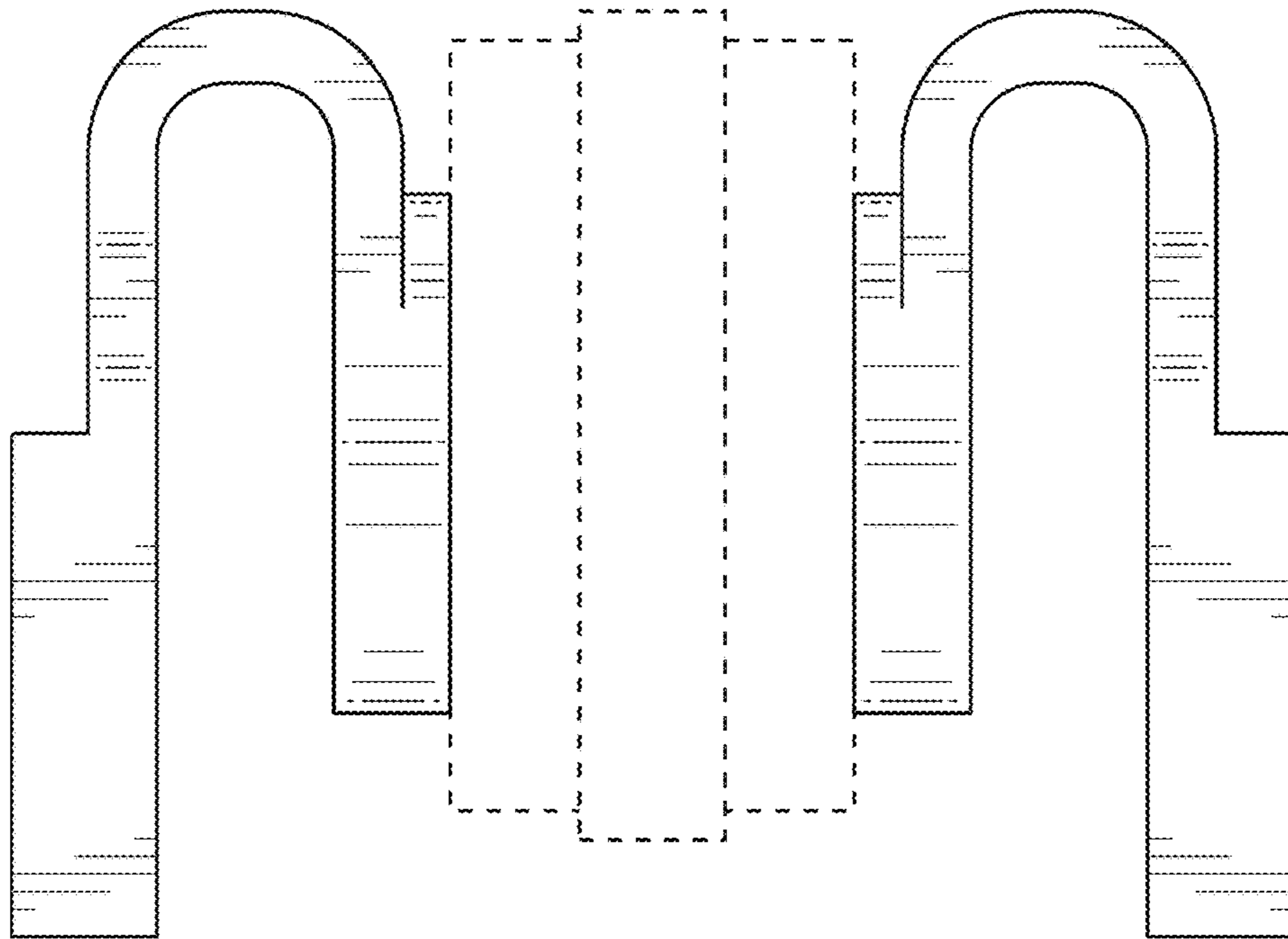
**FIG. 27**



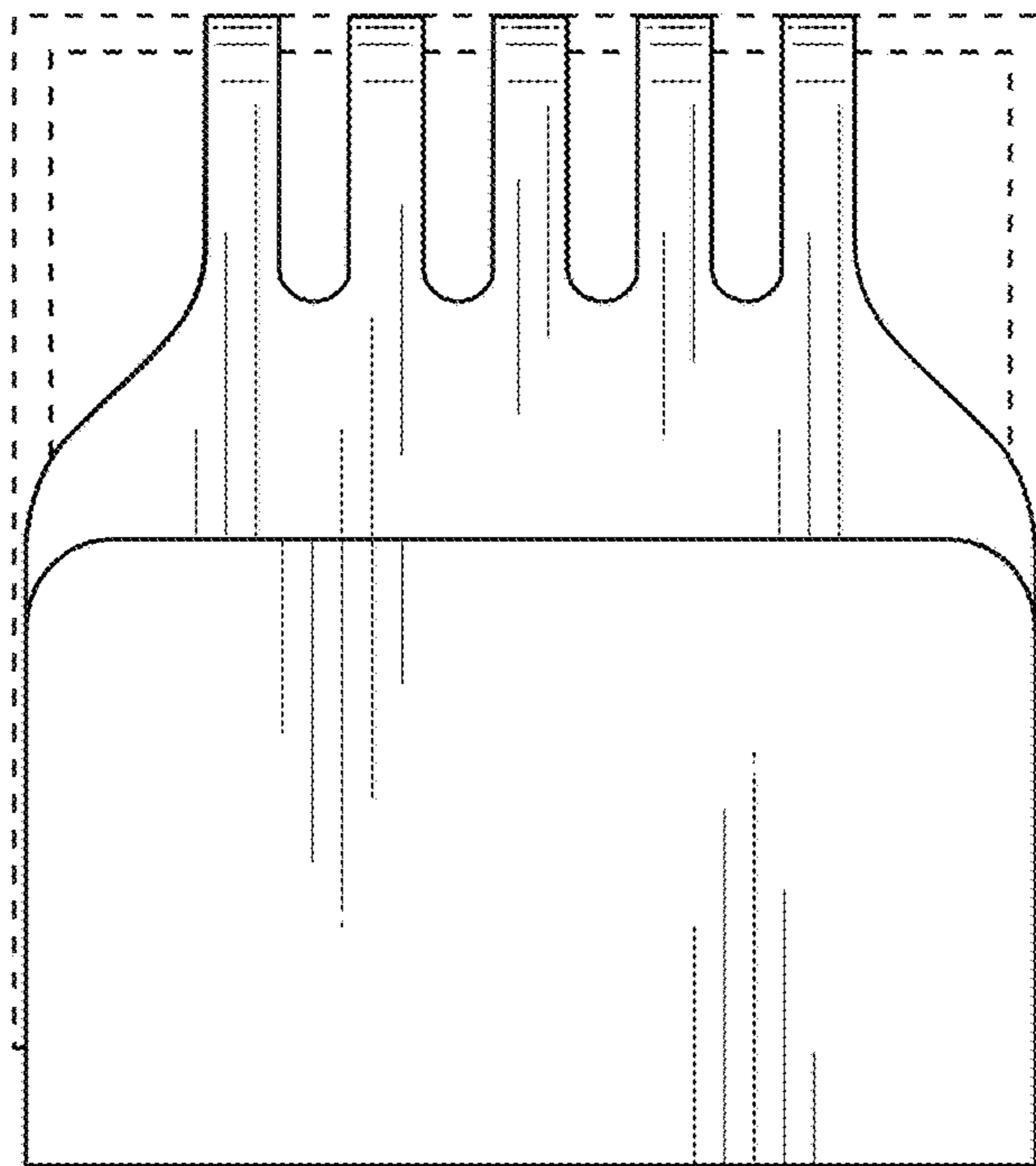
**FIG. 28**



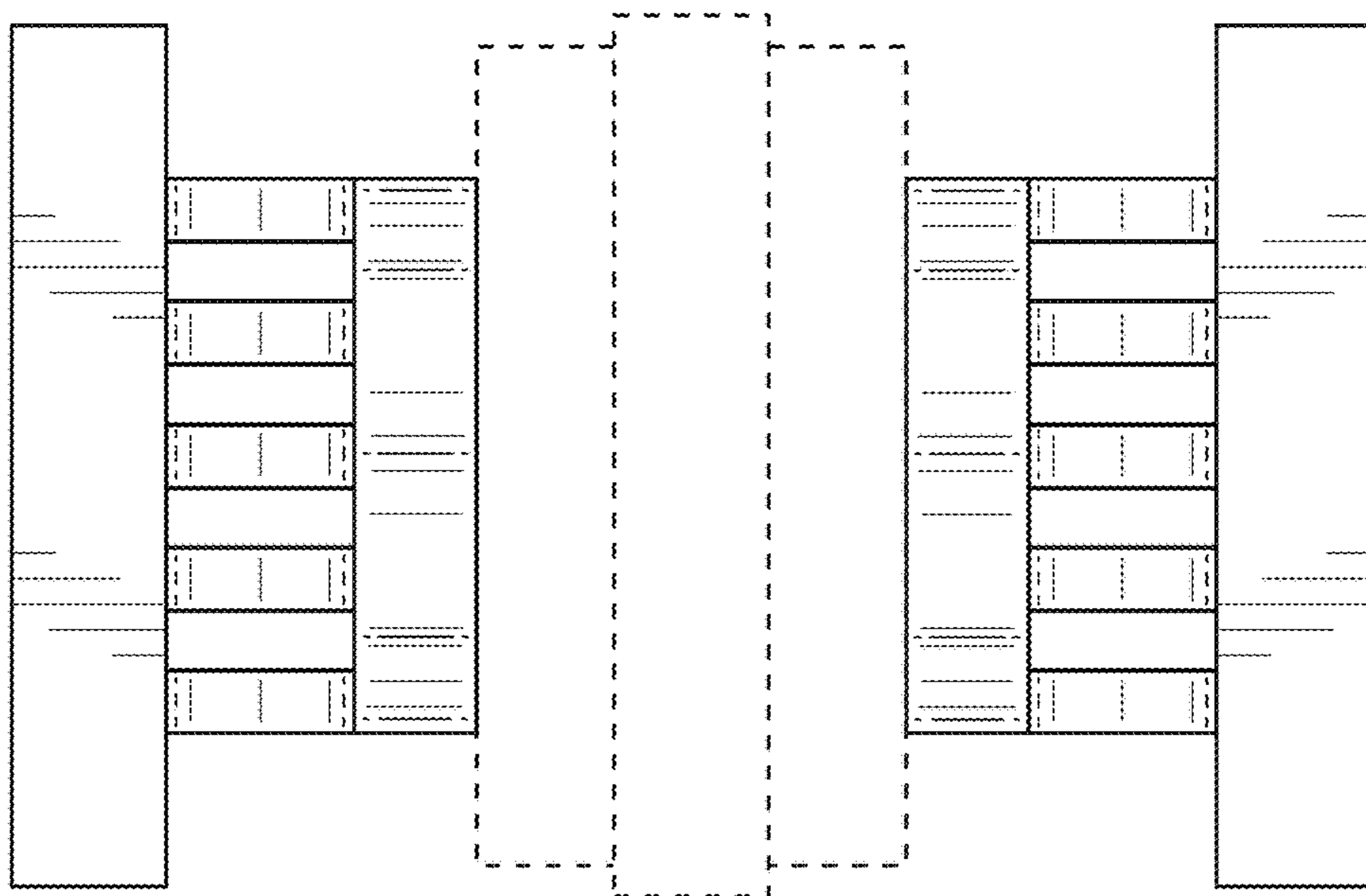
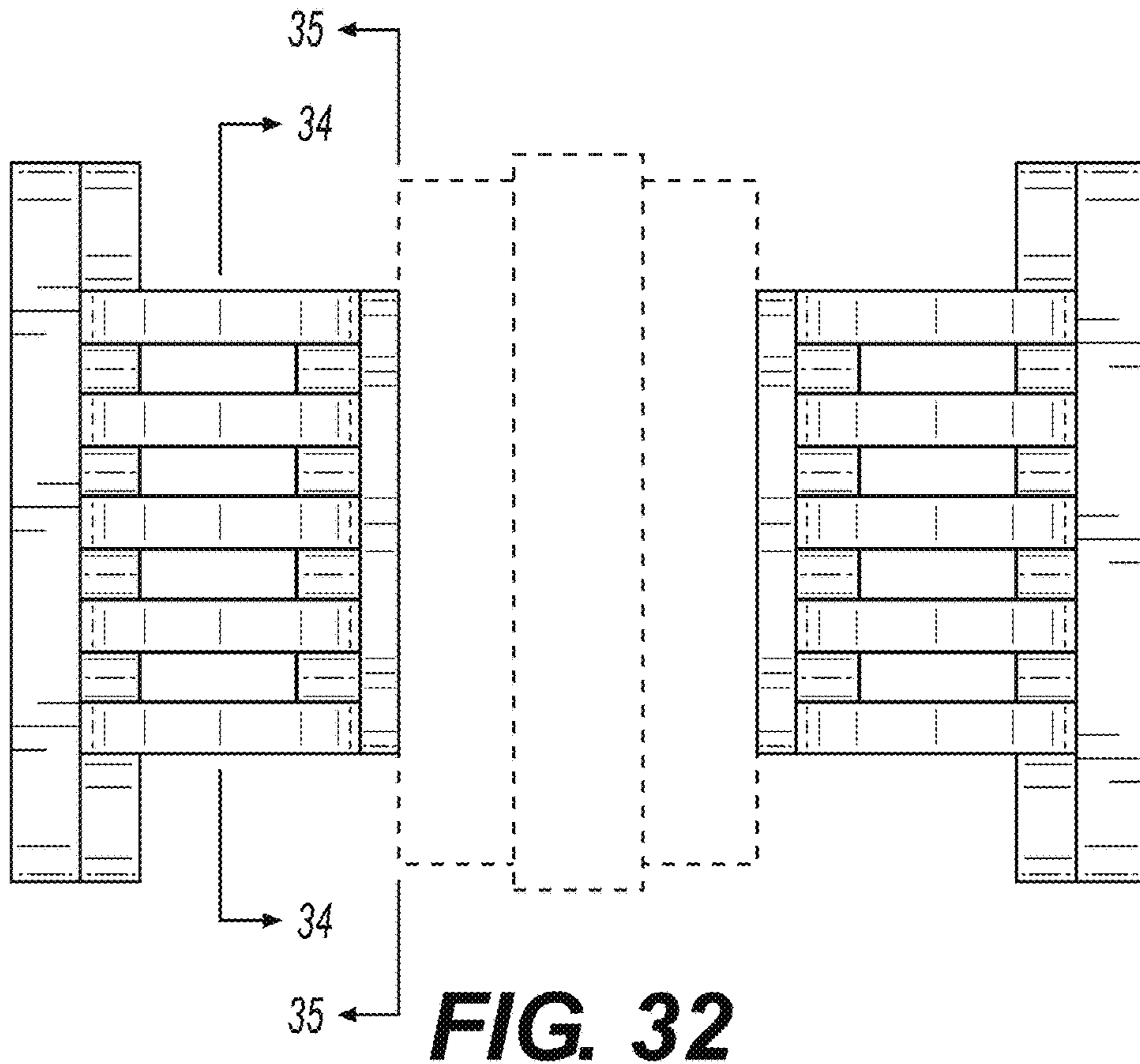
**FIG. 29**

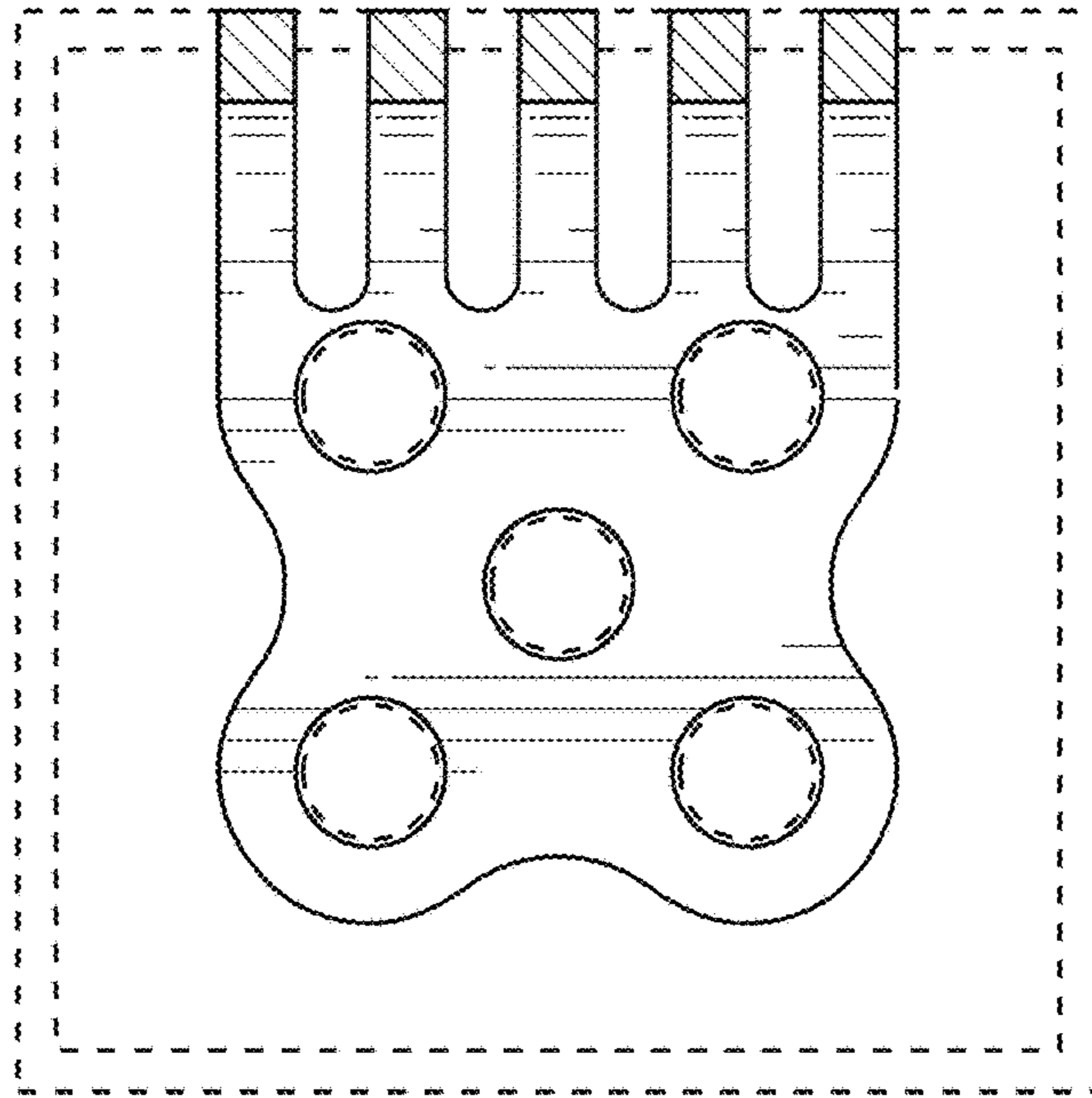


**FIG. 30**

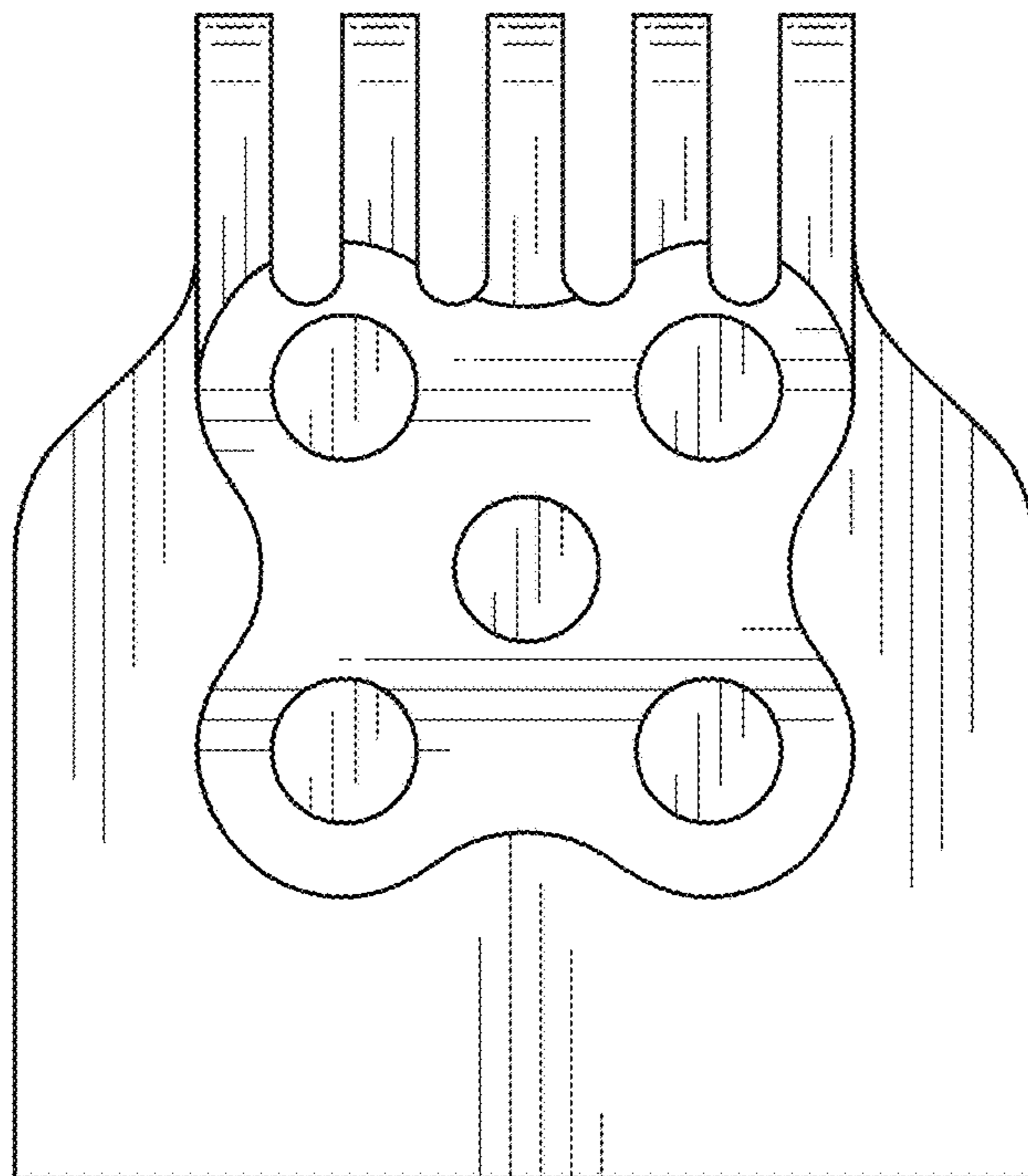


**FIG. 31**





**FIG. 34**



**FIG. 35**