



US00D803794S

(12) **United States Design Patent**  
**Turcotte**

(10) **Patent No.:** **US D803,794 S**

(45) **Date of Patent:** **\*\* Nov. 28, 2017**

(54) **MECHANICAL ACTIVATOR FOR ELECTRICAL CONTACTOR**

D756,315 S \* 5/2016 Zheng ..... D13/158  
D756,941 S \* 5/2016 Zheng ..... D13/158  
2011/0290627 A1\* 12/2011 Goupil ..... H01H 3/022  
200/337

(71) Applicant: **TORNATECH INC.**, Montreal (CA)

\* cited by examiner

(72) Inventor: **Charles-Félix Turcotte**, Rosemère (CA)

*Primary Examiner* — T. Chase Nelson

(73) Assignee: **TORNATECH INC.**, Montreal (CA)

*Assistant Examiner* — Ania Aman

(\*\*) Term: **15 Years**

(74) *Attorney, Agent, or Firm* — Gonzalo Lavin

(21) Appl. No.: **29/546,809**

(57) **CLAIM**

(22) Filed: **Nov. 25, 2015**

The ornamental design for a “mechanical activator for electrical contactor,” as shown and described.

(51) **LOC (10) Cl.** ..... **13-03**

(52) **U.S. Cl.**  
USPC ..... **D13/173**

**DESCRIPTION**

(58) **Field of Classification Search**

USPC ..... D15/1-6; D13/158, 159, 160, 162, 170,  
D13/171, 178, 149, 126, 133, 137.3, 173,  
D13/112, 169  
CPC ..... H01H 3/0226; H01H 3/022; H01H 3/36;  
H01H 1/02; H01H 1/08; H01H 1/20;  
H01H 3/20; H01H 3/40; H01H 3/42;  
H01H 9/22; H01H 9/282; H01H 19/00;  
H01H 19/035; H01H 19/114; H01H  
19/6355; H01H 19/64

FIG. 1 is a left perspective view of a mechanical activator for electrical contactor thereof;  
FIG. 2 is a front view thereof;  
FIG. 3 is a back view thereof;  
FIG. 4 is a top plan view thereof;  
FIG. 5 is a bottom view thereof;  
FIG. 6 is a right side view thereof;  
FIG. 7 is a left side view thereof; and,  
FIG. 8 is a right perspective view thereof.

See application file for complete search history.

The broken line showing of portions of the “mechanical activator for electrical contactor” is included for the purpose of illustrating environmental structure and forms no part of the claimed design.

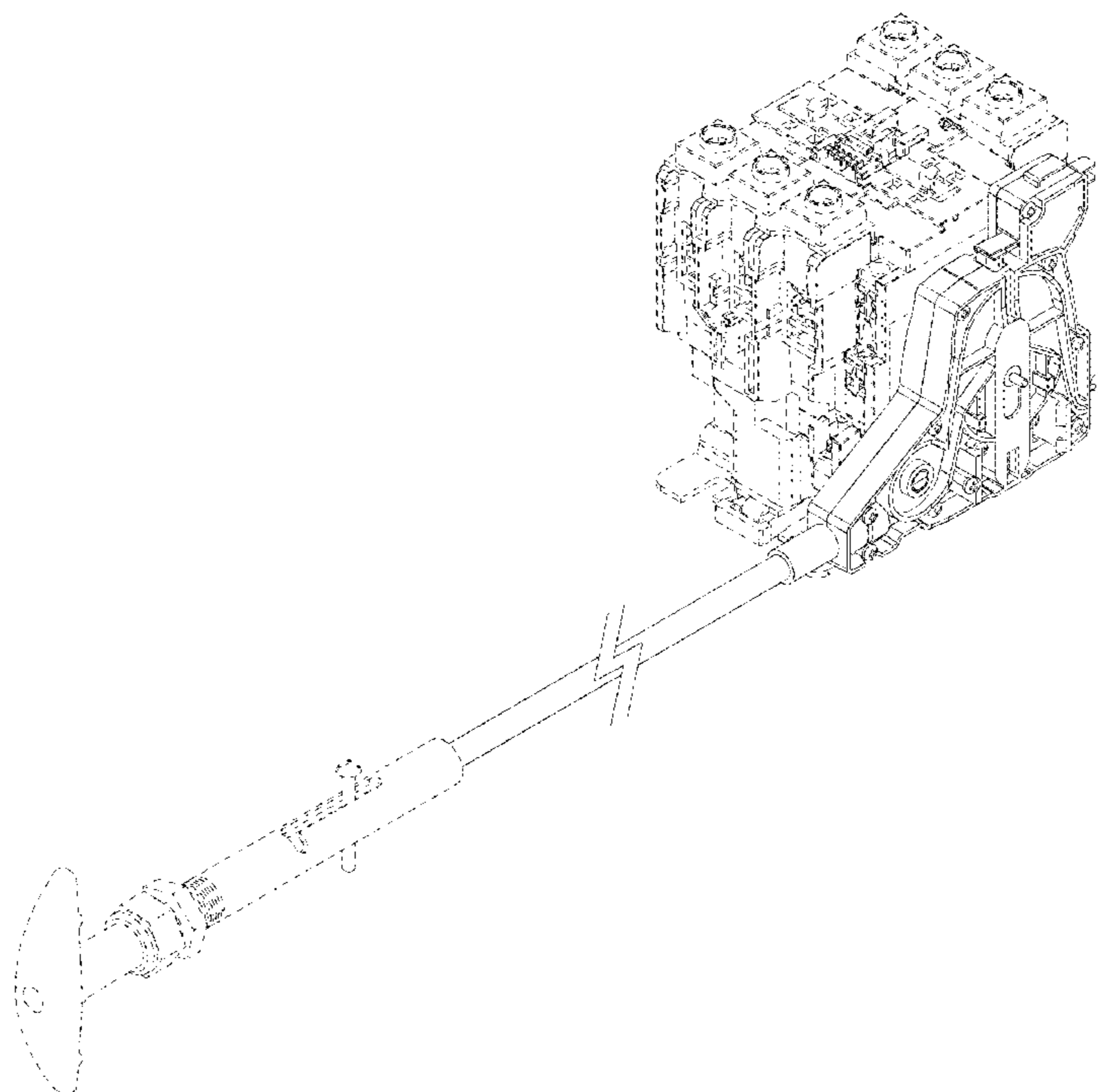
(56) **References Cited**

**U.S. PATENT DOCUMENTS**

6,365,850 B1 \* 4/2002 Arnold ..... H01H 3/0226  
200/17 R  
8,399,788 B2 \* 3/2013 Goupil ..... H01H 3/022  
200/337

The broken away symbols in the drawings indicate that any portion of the article beyond what is shown forms no part of the claimed design.

**1 Claim, 8 Drawing Sheets**



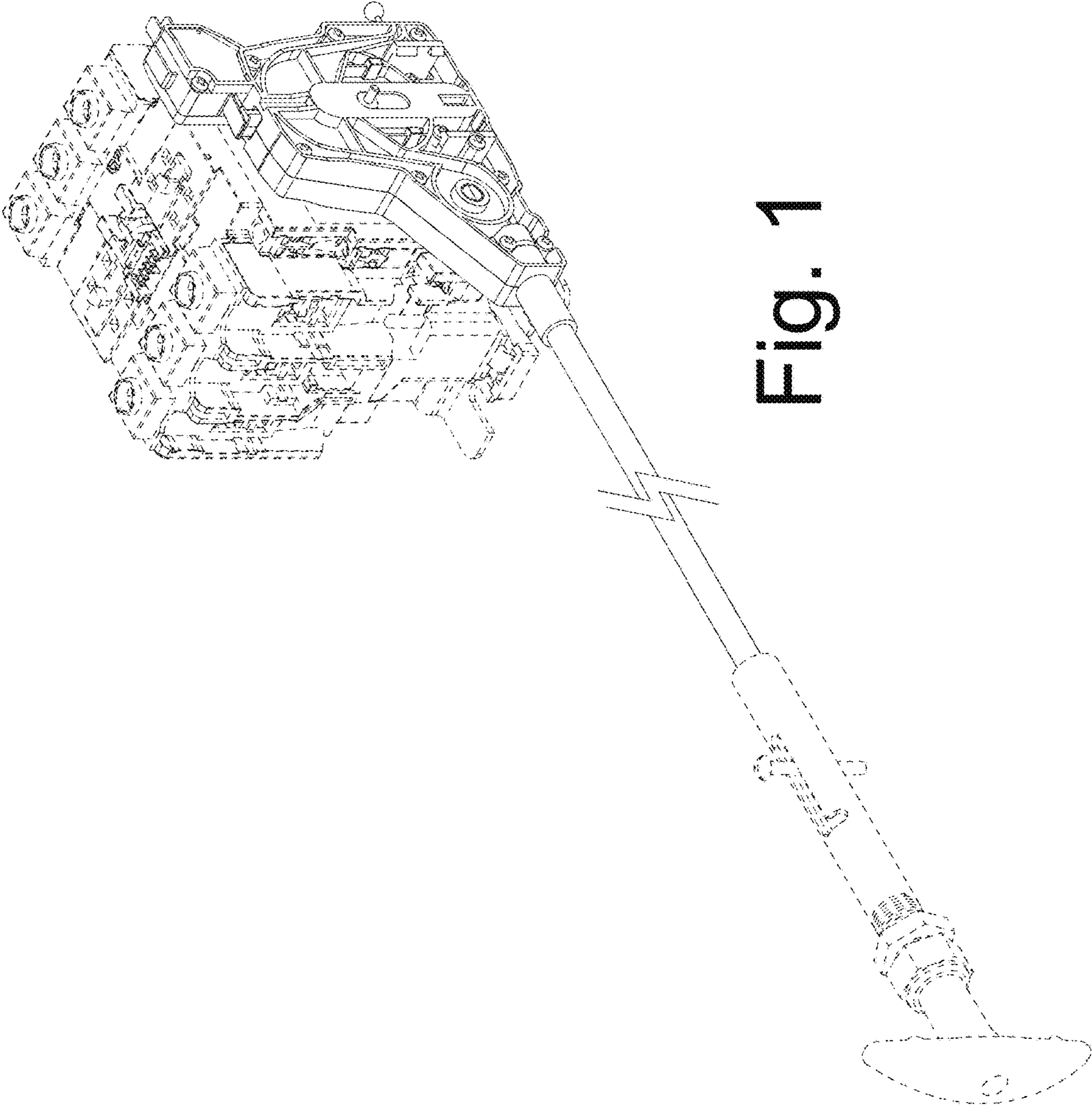


Fig. 1

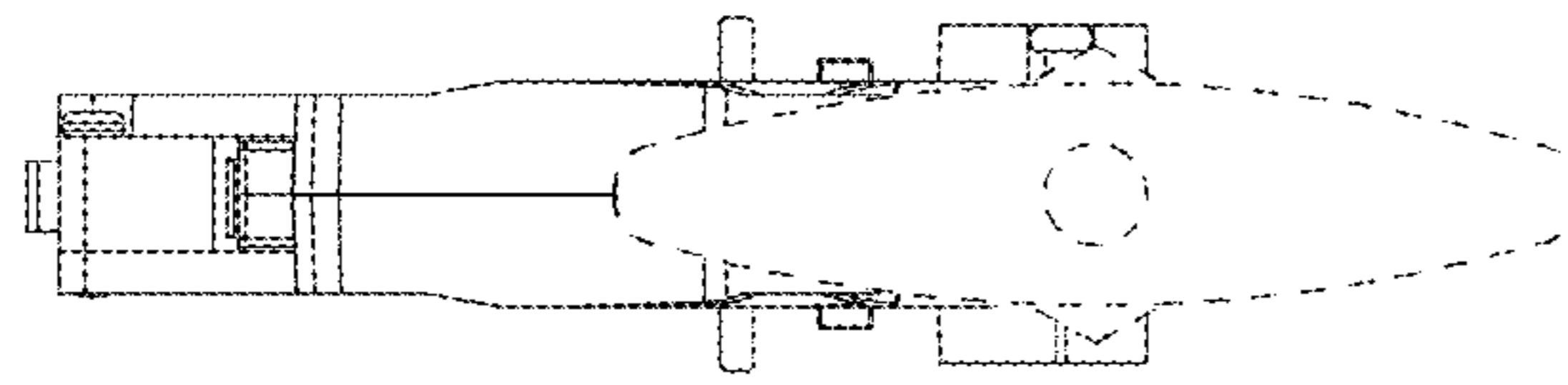


Fig. 2

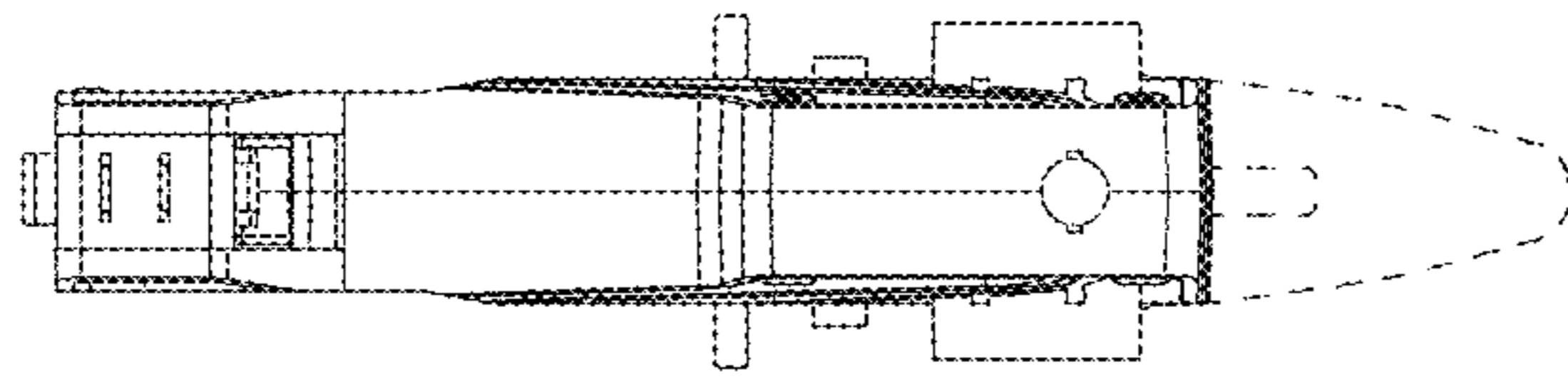


Fig. 3

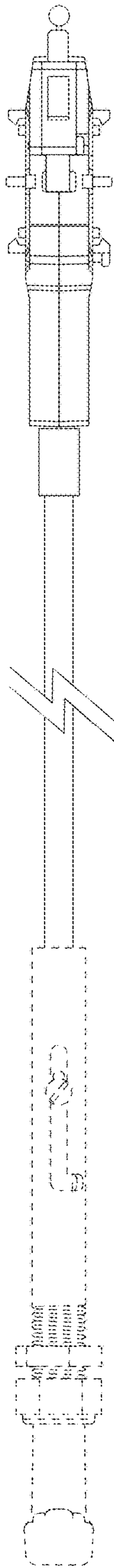


Fig. 4

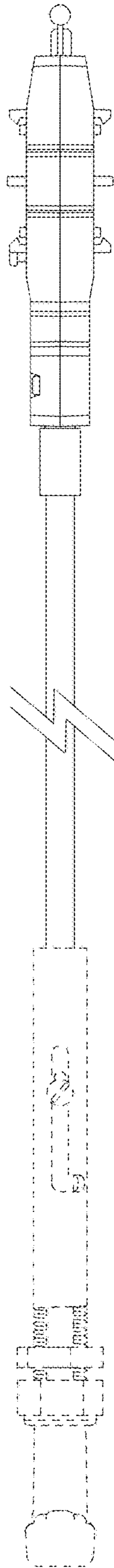


Fig. 5

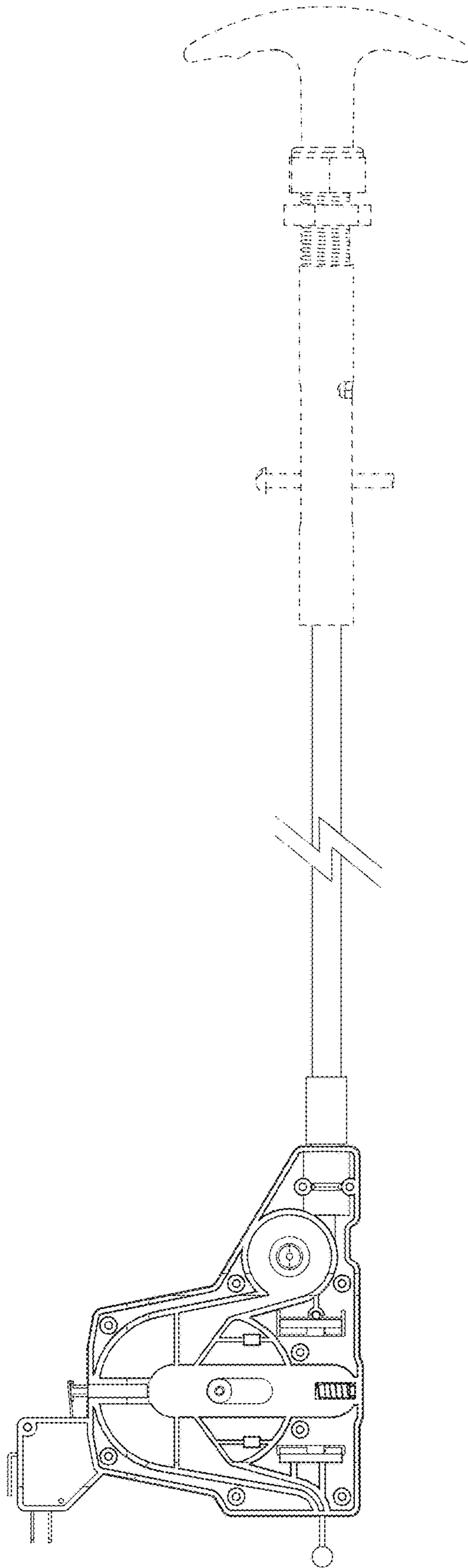


Fig. 6

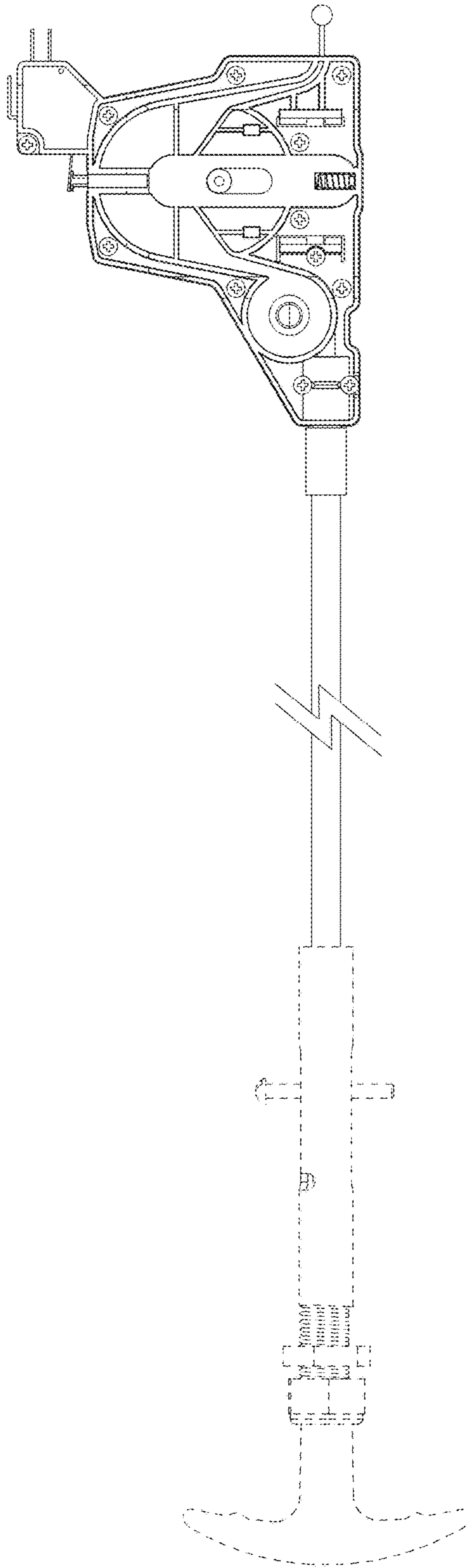


Fig. 7



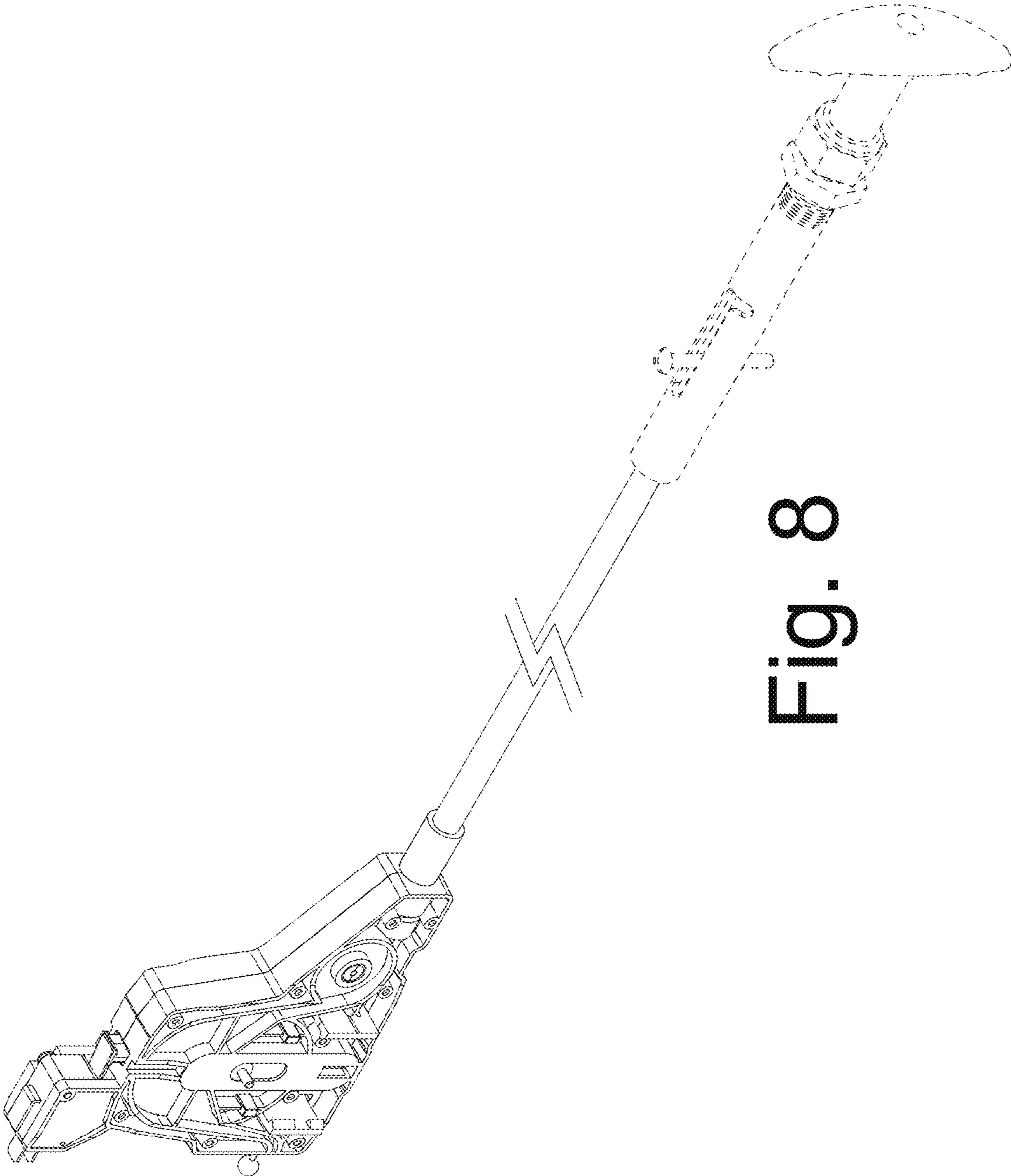


Fig. 8