



US00D803792S

(12) **United States Design Patent** (10) **Patent No.:** **US D803,792 S**
Houdek et al. (45) **Date of Patent:** **** Nov. 28, 2017**

- (54) **4 BUTTON FOB TRANSMITTER**
- (71) Applicant: **Trimark Corporation**, New Hampton, IA (US)
- (72) Inventors: **Julie M. Houdek**, New Hampton, IA (US); **Anita L. Reichling**, New Hampton, IA (US)
- (73) Assignee: **Trimark Corporation**, New Hampton, IA (US)
- (**) Term: **15 Years**
- (21) Appl. No.: **29/587,712**
- (22) Filed: **Dec. 15, 2016**
- (51) **LOC (10) Cl.** **14-03**
- (52) **U.S. Cl.**
USPC **D13/168**
- (58) **Field of Classification Search**
USPC D13/168; D10/104.1, 106.1; D3/207, D3/208; D8/347
CPC ... B60R 2225/00; B60R 25/00; B60R 25/104; H01H 9/02; H01H 9/0214; H01H 9/0235; G07C 9/00944; G05B 1/01; E05B 19/0082; E05B 19/04; Y10T 70/8676
See application file for complete search history.

D515,515 S	2/2006	Li	
D528,990 S	9/2006	Li	
D556,701 S	12/2007	Nohara et al.	
D560,352 S	1/2008	Cadiz et al.	
D563,097 S	3/2008	Reichling et al.	
D576,959 S	9/2008	Aldape et al.	
D576,960 S	9/2008	Aldape et al.	
D590,780 S	4/2009	Deboer et al.	
D622,710 S *	8/2010	Goransson	D14/218
D639,547 S	6/2011	Stefanov	
D680,732 S	4/2013	Nagy	
D698,738 S	2/2014	Baggio et al.	
D710,314 S	8/2014	Safford	
D712,381 S *	9/2014	Hwang	D14/218
D721,660 S	1/2015	Wang	
D725,607 S	3/2015	Kandler et al.	
D730,150 S *	5/2015	Kirzinger	D8/347
D733,074 S	6/2015	Kandler et al.	
D734,607 S	7/2015	Leetz	

(Continued)

Primary Examiner — Selina Sikder
 (74) *Attorney, Agent, or Firm* — McKee, Voorhees & Sease, PLC

(57) **CLAIM**

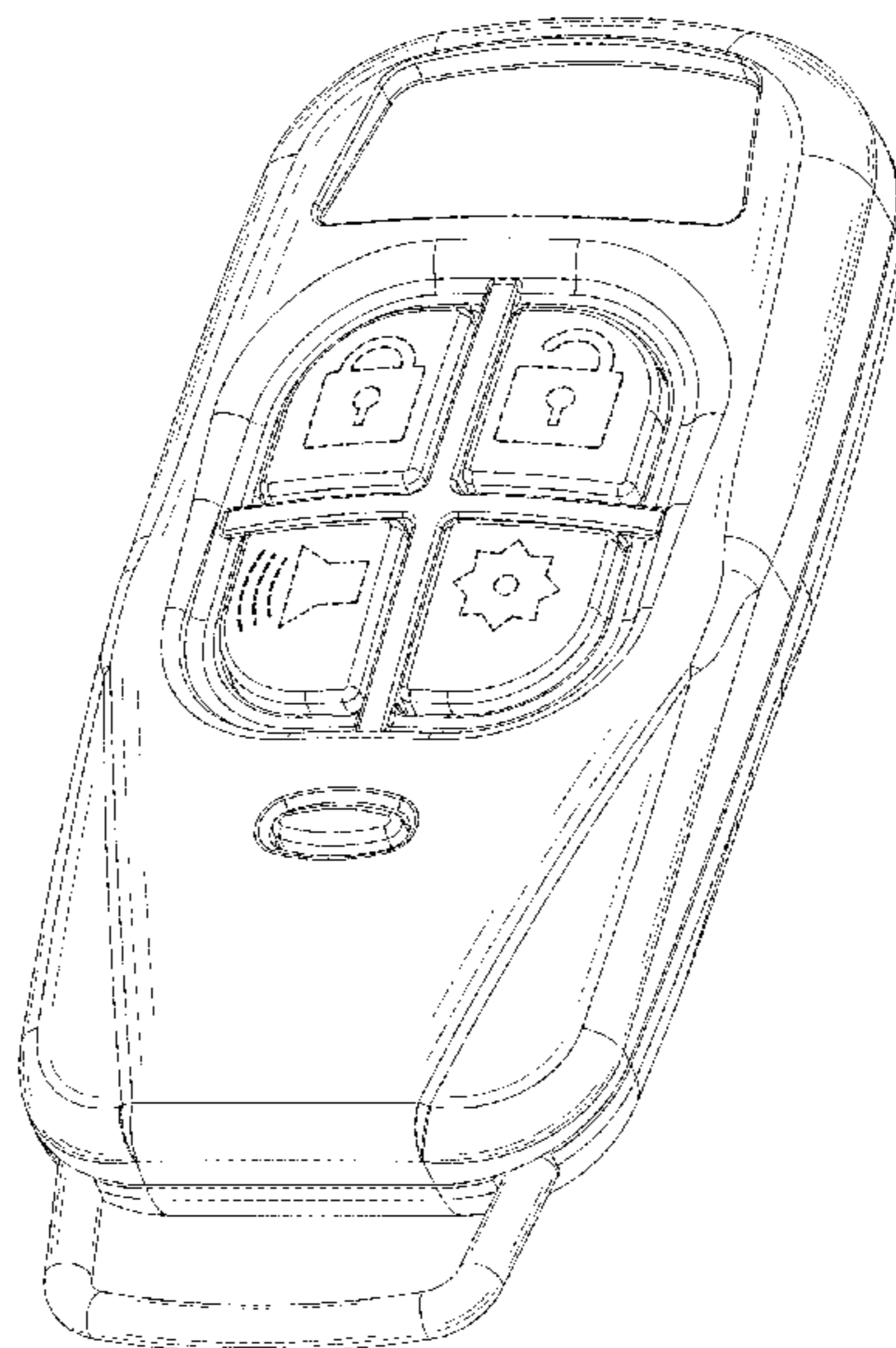
We claim the ornamental design for a 4 button fob transmitter, substantially as shown.

DESCRIPTION

FIG. 1 is a front perspective view of the 4 button key fob transmitter of the present invention.
 FIG. 2 is a rear perspective view of the key fob.
 FIG. 3 is a front elevation view of the key fob.
 FIG. 4 is a rear elevation view of the key fob.
 FIG. 5 is a right side elevation view of the key fob.
 FIG. 6 is a left side elevation view of the key fob.
 FIG. 7 is a top plane view of the key fob; and,
 FIG. 8 is bottom plane view of the key fob.
 The broken line showing of the transmitter is for illustrative purposes only forms no part of the claimed design.

1 Claim, 7 Drawing Sheets

- (56) **References Cited**
- U.S. PATENT DOCUMENTS
- | | | | |
|--------------|--------|----------------|---------|
| D390,195 S | 2/1998 | Chen | |
| D407,006 S * | 3/1999 | Sacco | D13/182 |
| D441,185 S | 5/2001 | Shimizu et al. | |
| D441,524 S | 5/2001 | Shimizu et al. | |
| D461,047 S | 8/2002 | Peterson | |
| D475,353 S | 6/2003 | Flick | |
| D478,720 S | 8/2003 | Lo | |
| D508,862 S | 8/2005 | Behar et al. | |
| D514,527 S | 2/2006 | DiPasquale | |



(56)

References Cited

U.S. PATENT DOCUMENTS

9,347,244	B2 *	5/2016	Lu	E05B 19/00
2002/0008610	A1 *	1/2002	Peterson	H01H 9/0214
				340/5.64
2004/0099430	A1 *	5/2004	Scudder	G07C 9/00944
				174/564
2004/0201451	A1 *	10/2004	Sugimoto	B60R 25/406
				340/5.62
2007/0270013	A1 *	11/2007	Clark	G07C 9/00944
				439/346
2008/0077292	A1 *	3/2008	Gisler	B60R 25/04
				701/36
2010/0102927	A1 *	4/2010	Monig	B60R 25/2009
				340/5.64
2010/0199729	A1 *	8/2010	Zaitz	E05B 19/0082
				70/237
2012/0087096	A1 *	4/2012	Shen	G07C 9/00944
				361/760
2015/0271941	A1 *	9/2015	Lu	H01H 13/705
				361/752
2016/0278229	A1 *	9/2016	Saito	H01H 9/0235
2017/0095040	A1 *	4/2017	Byrd	A44B 15/005
2017/0129457	A1 *	5/2017	Lee	B60R 25/241

* cited by examiner

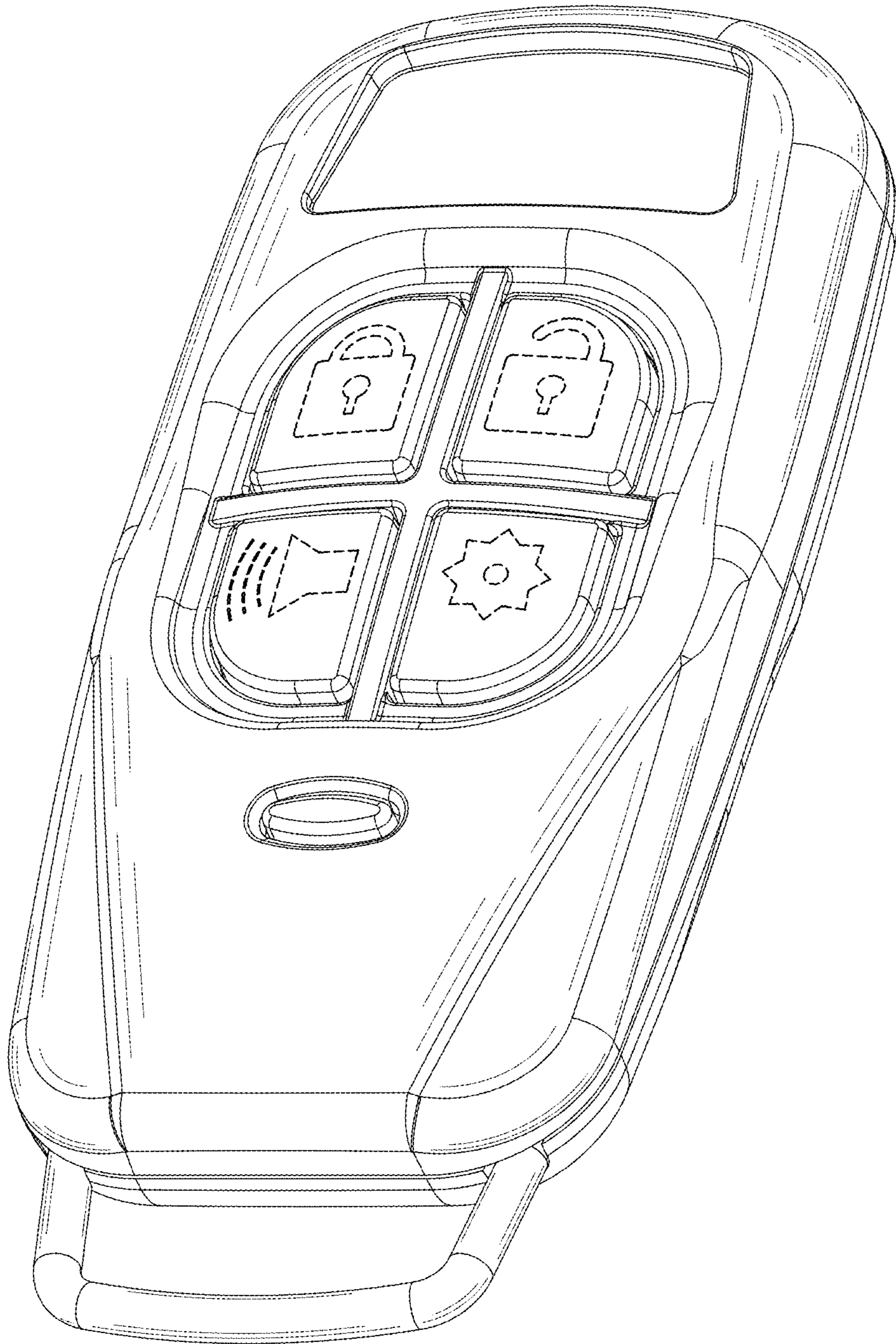


Fig. 1

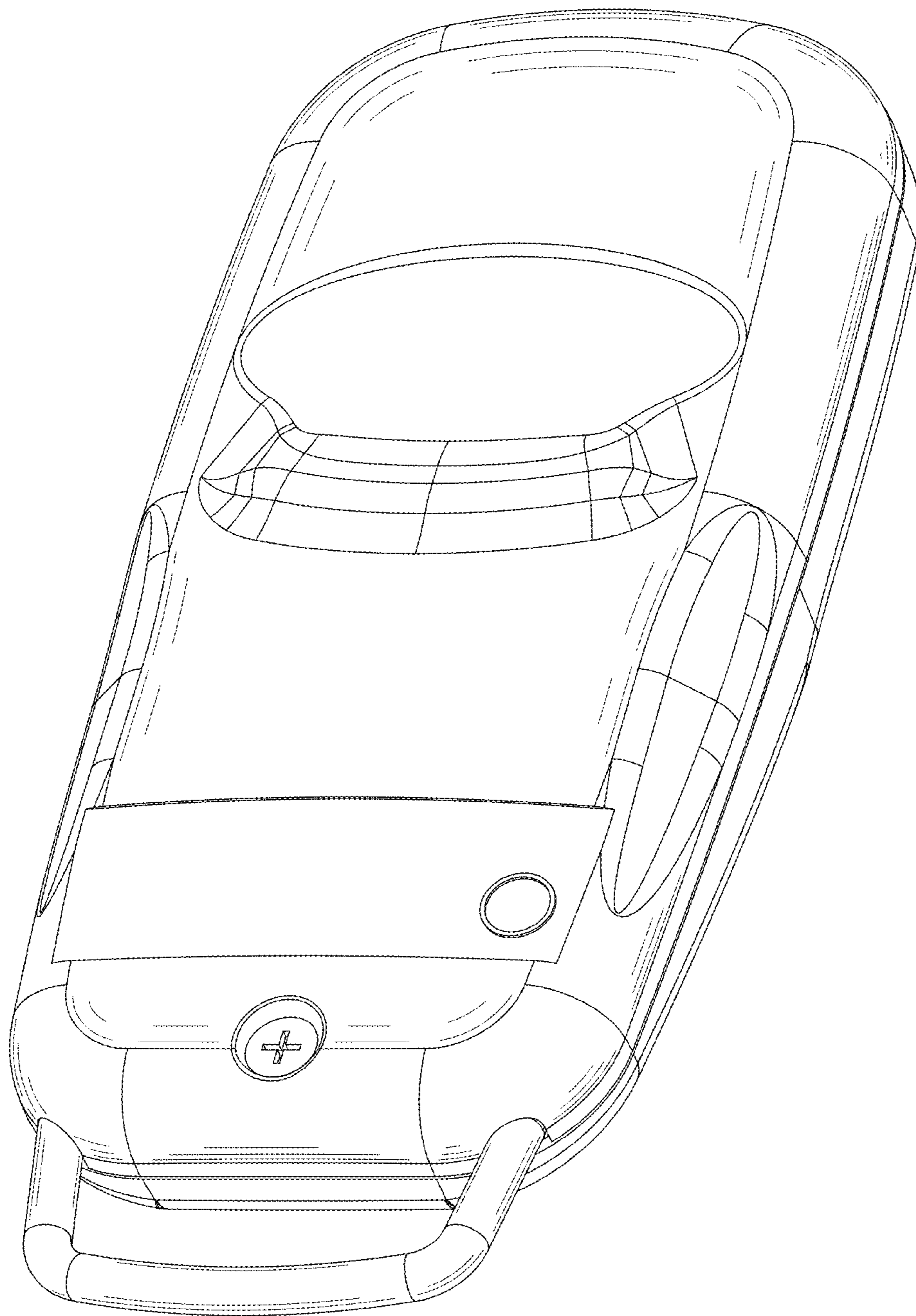


Fig. 2

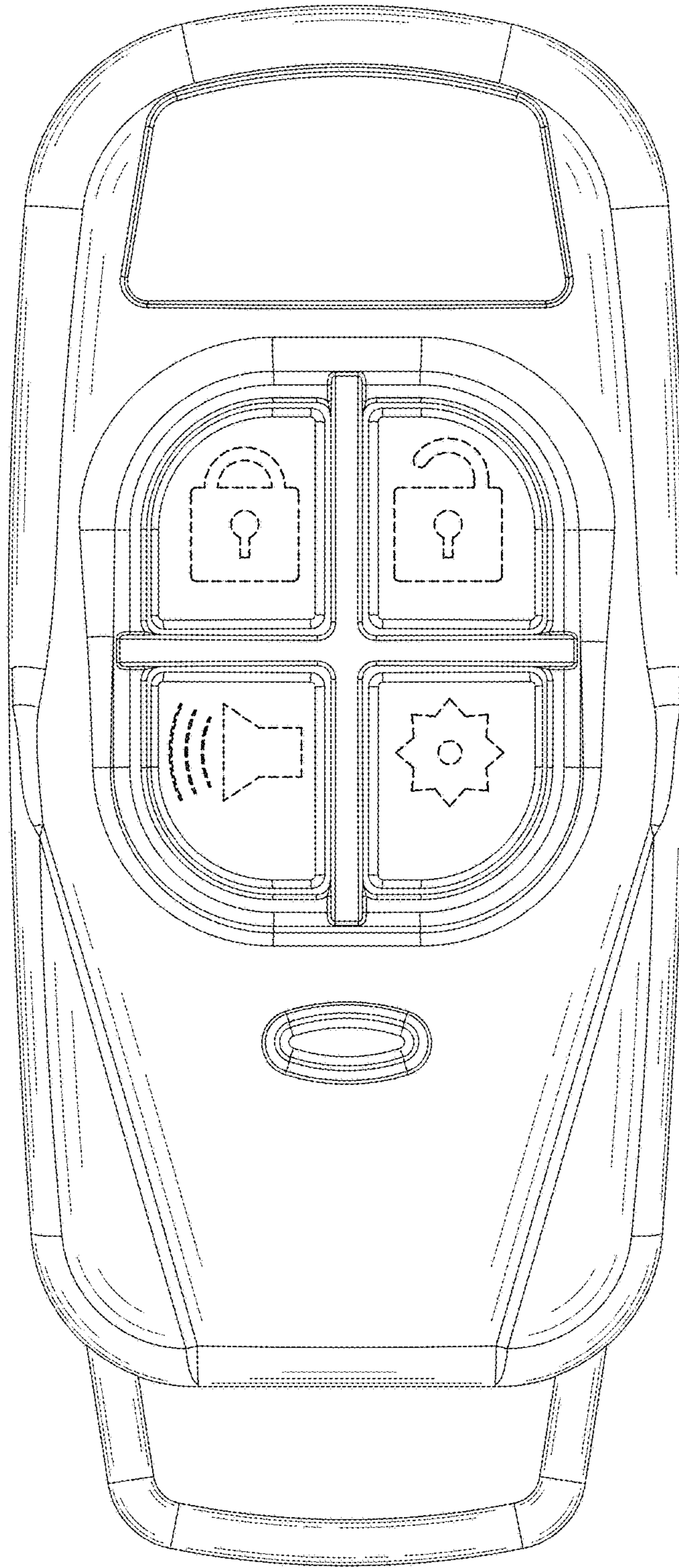


Fig. 3

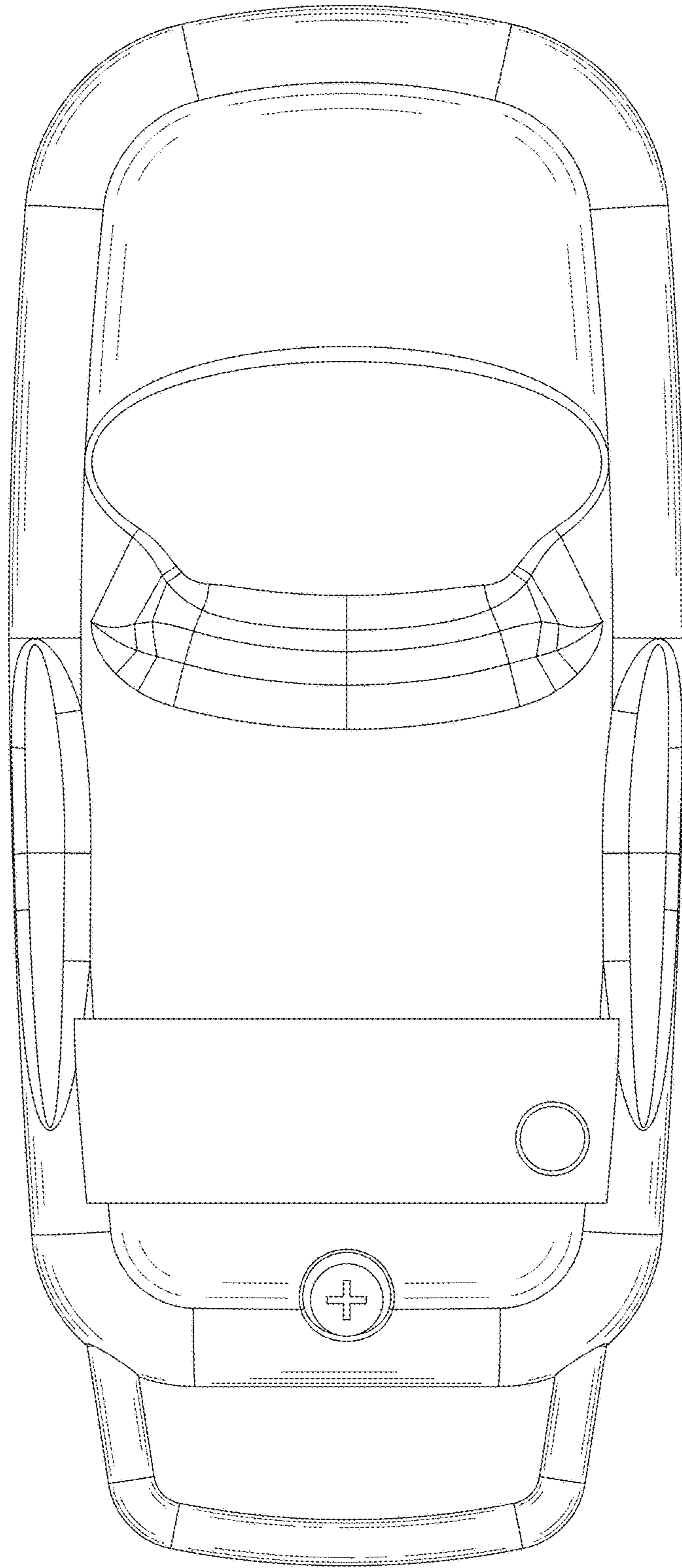


Fig. 4

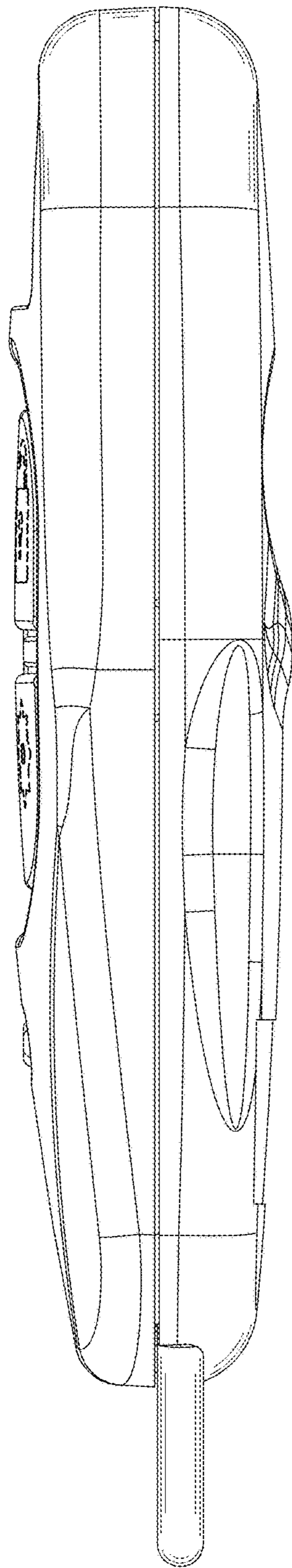


Fig. 5

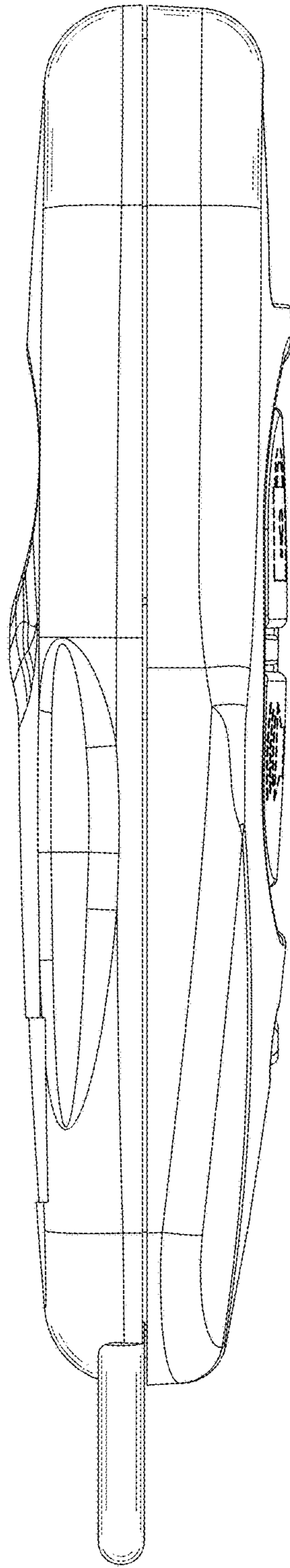


Fig. 6

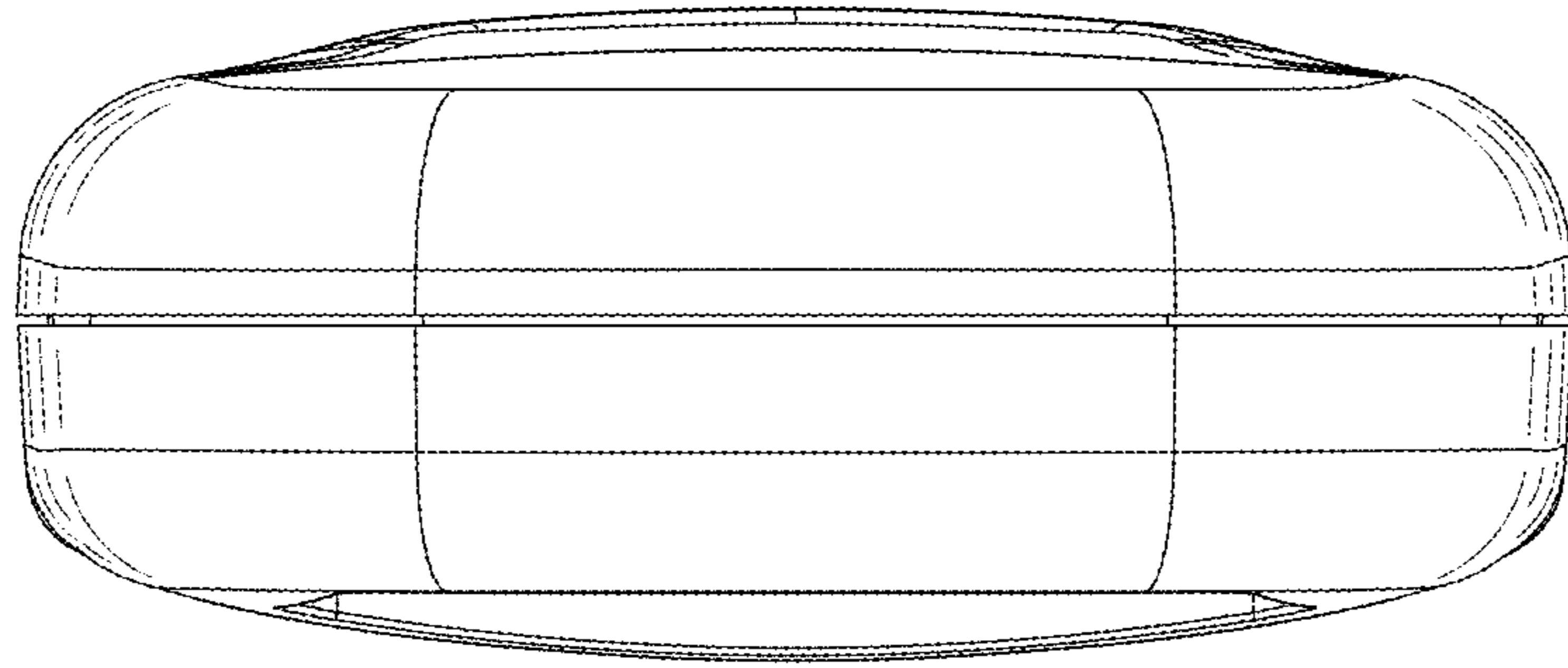


Fig. 7

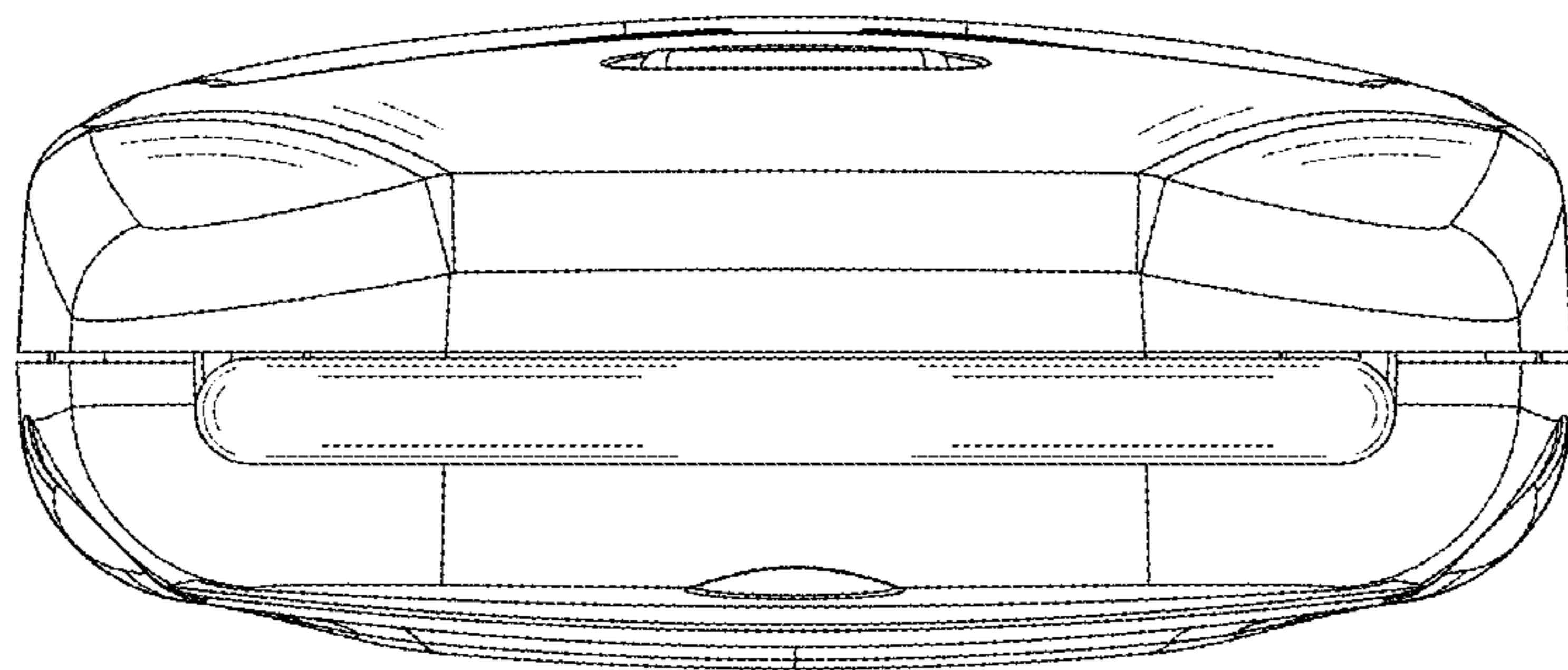


Fig. 8