



US00D803790S

(12) **United States Design Patent** (10) **Patent No.:** **US D803,790 S**  
**Khoshreza et al.** (45) **Date of Patent:** **\*\* Nov. 28, 2017**

- (54) **CIRCUIT BREAKER**
- (71) Applicant: **General Electric Company**,  
Schenectady, NY (US)
- (72) Inventors: **Hima Najmeh Khoshreza**, Plainville,  
CT (US); **Allison Stacey Conner**,  
Brooklyn, NY (US); **Piotr Slawomir**  
**Woronkowicz**, Brooklyn, NY (US);  
**JungSoo Park**, New York, NY (US);  
**Ashish Mishra**, New Britain, CT (US)
- (73) Assignee: **GENERAL ELECTRIC COMPANY**,  
Schenectady, NY (US)
- (\*\*) Term: **14 Years**
- (21) Appl. No.: **29/519,636**
- (22) Filed: **Mar. 6, 2015**
- (51) **LOC (10) Cl.** ..... **13-03**
- (52) **U.S. Cl.**  
USPC ..... **D13/160**
- (58) **Field of Classification Search**  
USPC ..... D13/110, 118, 122, 123, 158-160, 162,  
D13/173, 184, 199  
CPC .. H01F 7/02; H01F 17/04; H01H 3/00; H01H  
3/12; H01H 3/58; H01H 9/00; H01H  
9/02; H01H 9/16; H01H 9/20; H01H  
33/00; H01H 33/18; H01H 71/02; H01H  
71/04; H01H 71/10; H01H 83/00; H01R  
4/36; H01R 9/00; H01R 9/20; H01R  
25/00
- See application file for complete search history.

(56) **References Cited**

**U.S. PATENT DOCUMENTS**

- 2,021,499 A 11/1935 Chubbuck et al.  
2,095,762 A 10/1937 Peterson  
D183,812 S \* 10/1958 Schaus ..... D13/160  
4,204,245 A 5/1980 Luke et al.

- 4,249,227 A 2/1981 Kato et al.  
4,506,121 A 3/1985 Peterson et al.  
5,113,043 A 5/1992 Morris  
(Continued)

**FOREIGN PATENT DOCUMENTS**

- AU 2009202849 A1 2/2010  
CN 1925243 A 3/2007  
(Continued)

**OTHER PUBLICATIONS**

European Search Report and Opinion issued in connection with  
corresponding EP Application No. 16158423.0 dated Jul. 21, 2016.  
(Continued)

*Primary Examiner* — Thomas Johannes  
*Assistant Examiner* — Shawn T Gingrich  
(74) *Attorney, Agent, or Firm* — GE Global Patent  
Operation; Stephen G. Midgley

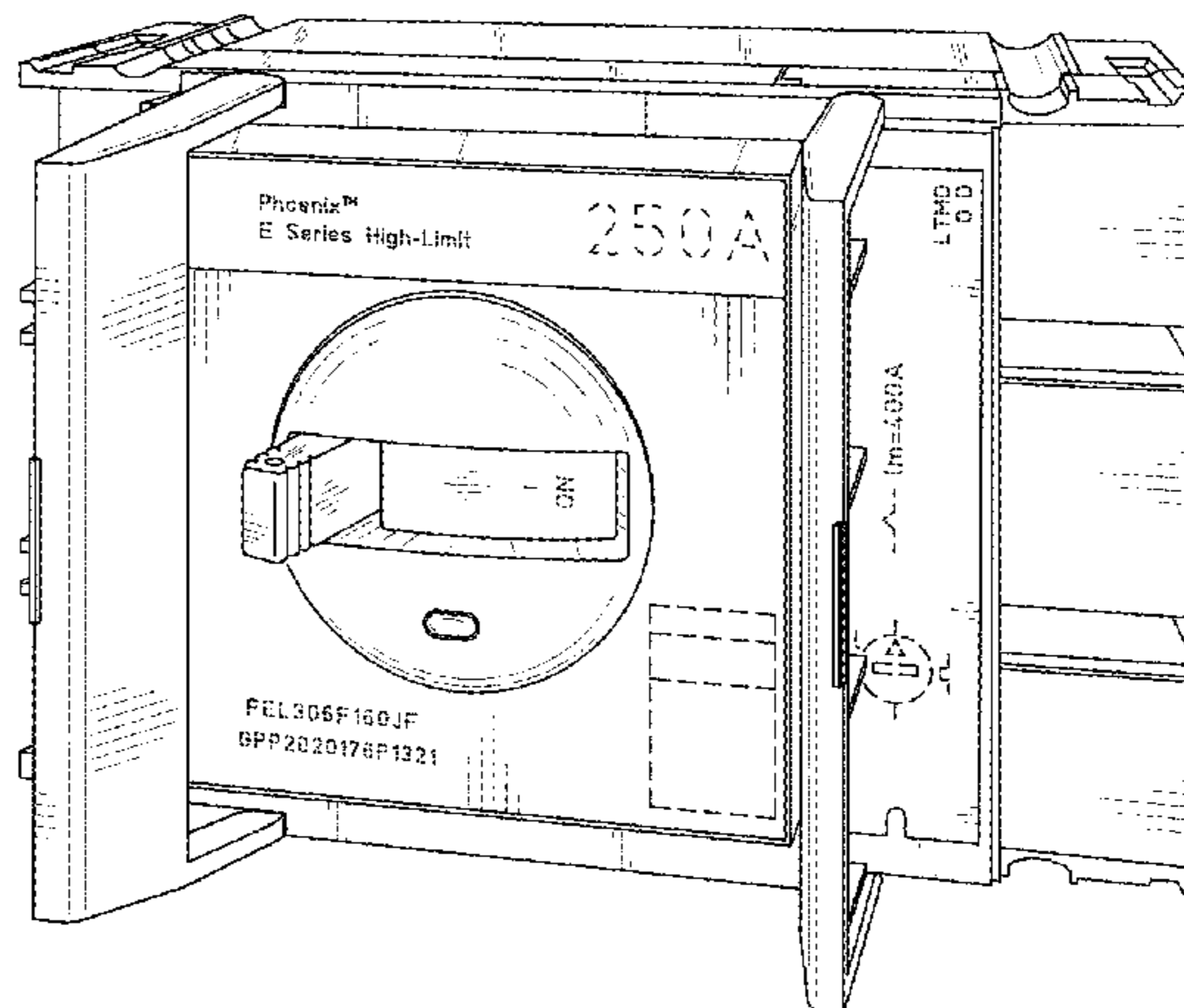
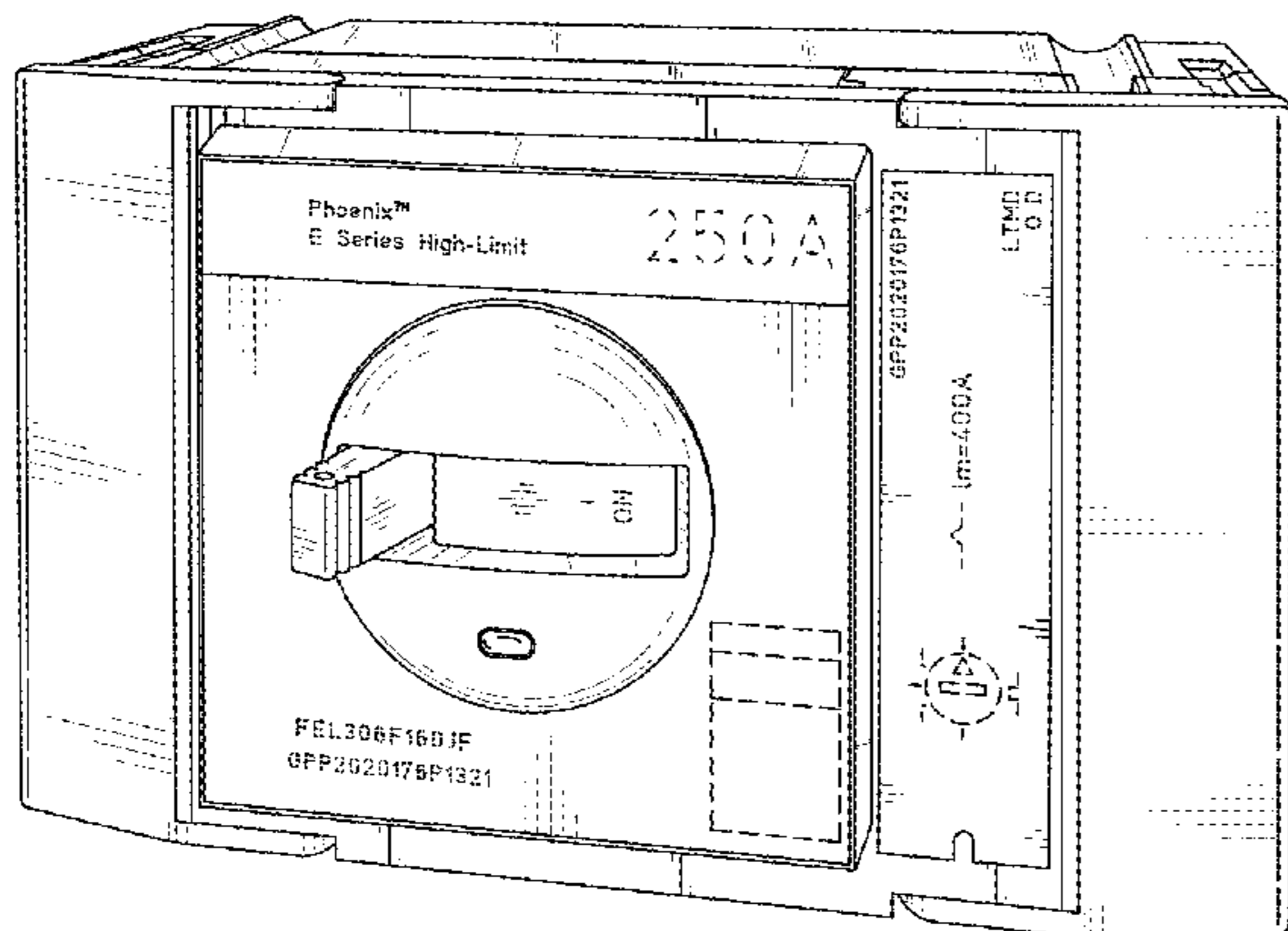
(57) **CLAIM**

We claim, the ornamental design for a circuit breaker, as  
shown and described.

**DESCRIPTION**

FIG. 1 is a perspective view of a circuit breaker showing our  
new design;  
FIG. 2 is a front view of the embodiment of FIG. 1;  
FIG. 3 is a rear view of the embodiment of FIG. 1;  
FIG. 4 is a side view of the embodiment of FIG. 1;  
FIG. 5 is another side view of the embodiment of FIG. 1;  
FIG. 6 is a top view of the embodiment of FIG. 1;  
FIG. 7 is a bottom view of the embodiment of FIG. 1;  
FIG. 8 is a perspective view of the embodiment of FIG. 1 as  
shown in another configuration; and,  
FIG. 9 is a perspective view of the embodiment of FIG. 1 as  
shown in an exploded configuration.  
The broken lines shown in the Figures are environmental  
and not part of the claimed design.

**1 Claim, 9 Drawing Sheets**



(56)

References Cited

U.S. PATENT DOCUMENTS

5,219,070 A \* 6/1993 Grunert ..... H01H 9/281  
200/330

5,243,314 A 9/1993 Maruyama

5,362,933 A 11/1994 Kutsche et al.

5,416,291 A 5/1995 Venzke

5,504,285 A 4/1996 Castonguay et al.

5,583,330 A 12/1996 Fallah et al.

6,066,817 A 5/2000 Flegel

6,080,947 A 6/2000 Ulerich et al.

6,100,604 A 8/2000 Morroni et al.

6,278,062 B1 8/2001 Sowdon

D498,212 S \* 11/2004 Kim ..... D13/160

D499,700 S \* 12/2004 Raabe ..... D13/160

7,071,414 B2 7/2006 Kim

D547,729 S \* 7/2007 Azzola ..... D13/160

7,616,096 B1 11/2009 Sorensen

D616,832 S \* 6/2010 Corteel ..... D13/161

8,004,377 B2 8/2011 Brusky et al.

8,230,629 B2 7/2012 Ashby et al.

D735,143 S \* 7/2015 Huhne ..... D13/158

D761,737 S \* 7/2016 Huhne ..... D13/158

2005/0109597 A1 \* 5/2005 Etscheidt ..... H01H 9/0264  
200/293

2005/0258921 A1 11/2005 Puskar et al.

2007/0013380 A1 1/2007 Word

2008/0157906 A1 \* 7/2008 Oh ..... H01H 71/08  
335/202

2011/0056819 A1 3/2011 Bower et al.

2013/0195687 A1 8/2013 Achten et al.

2014/0130575 A1 5/2014 Webber et al.

2016/0260554 A1 \* 9/2016 Hocine ..... H01H 3/12

2016/0260560 A1 \* 9/2016 Mishra ..... H01H 21/04

2016/0260569 A1 \* 9/2016 Mishra ..... H01F 7/02

FOREIGN PATENT DOCUMENTS

CN 200995012 Y 12/2007

DE 19838431 A1 3/2000

EP 0138513 B1 2/1988

EP 0375488 A1 6/1990

EP 0748015 A1 12/1996

FR 2934094 A1 1/2010

WO 2013151737 A1 10/2013

WO 2013175236 A2 11/2013

OTHER PUBLICATIONS

European Search Report and Opinion issued in connection with corresponding EP Application No. 16158398.4 dated Jul. 22, 2016.

Non-Final Office Action issued in connection with Related U.S. Appl. No. 14/640,390 dated Dec. 1, 2016.

Non-Final Office Action issued in connection with Related U.S. Appl. No. 15/057,178 dated May 10, 2017.

Final Office Action issued in connection with Related U.S. Appl. No. 14/640,390 dated May 17, 2017.

\* cited by examiner

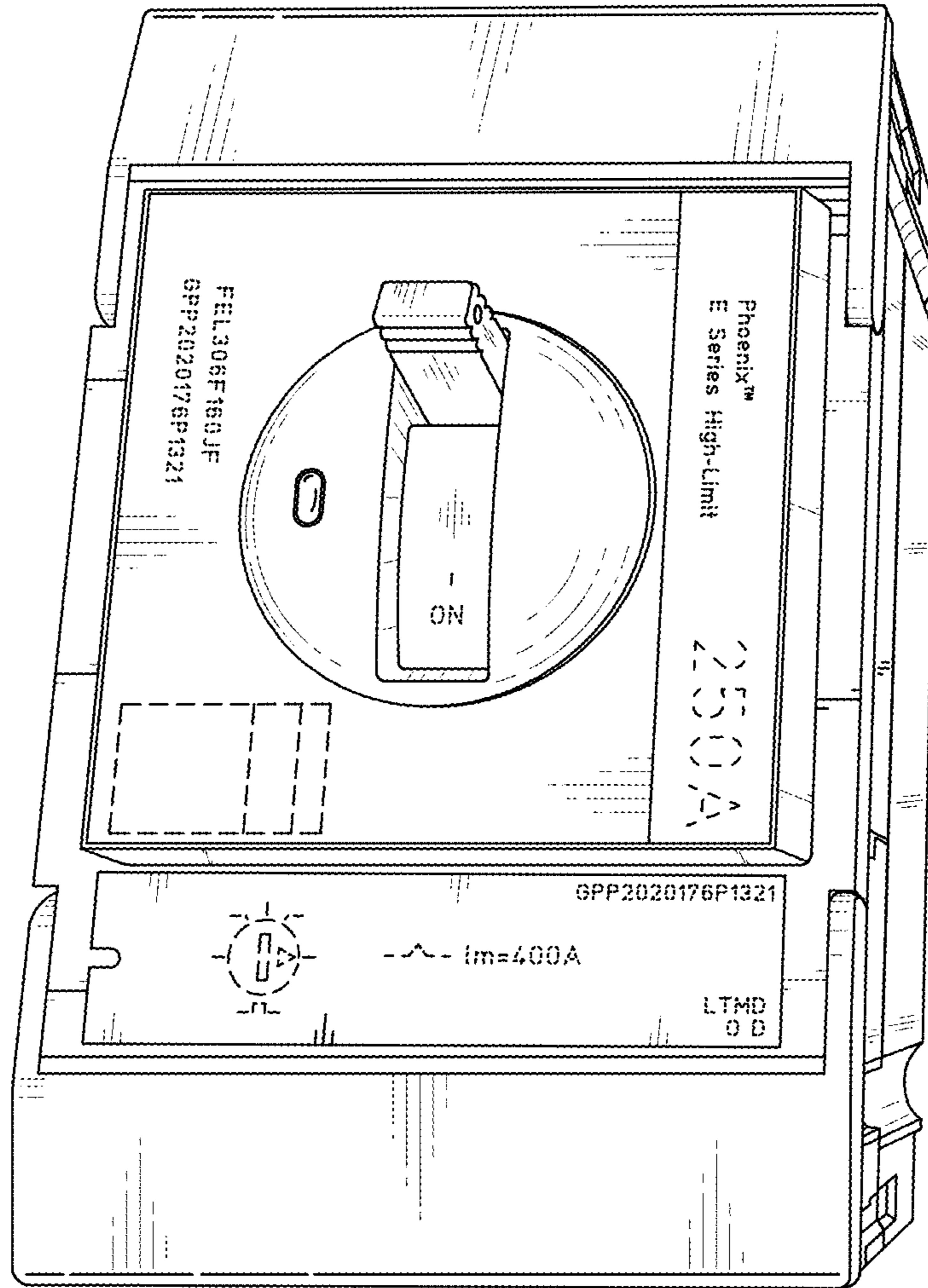


FIG. 1

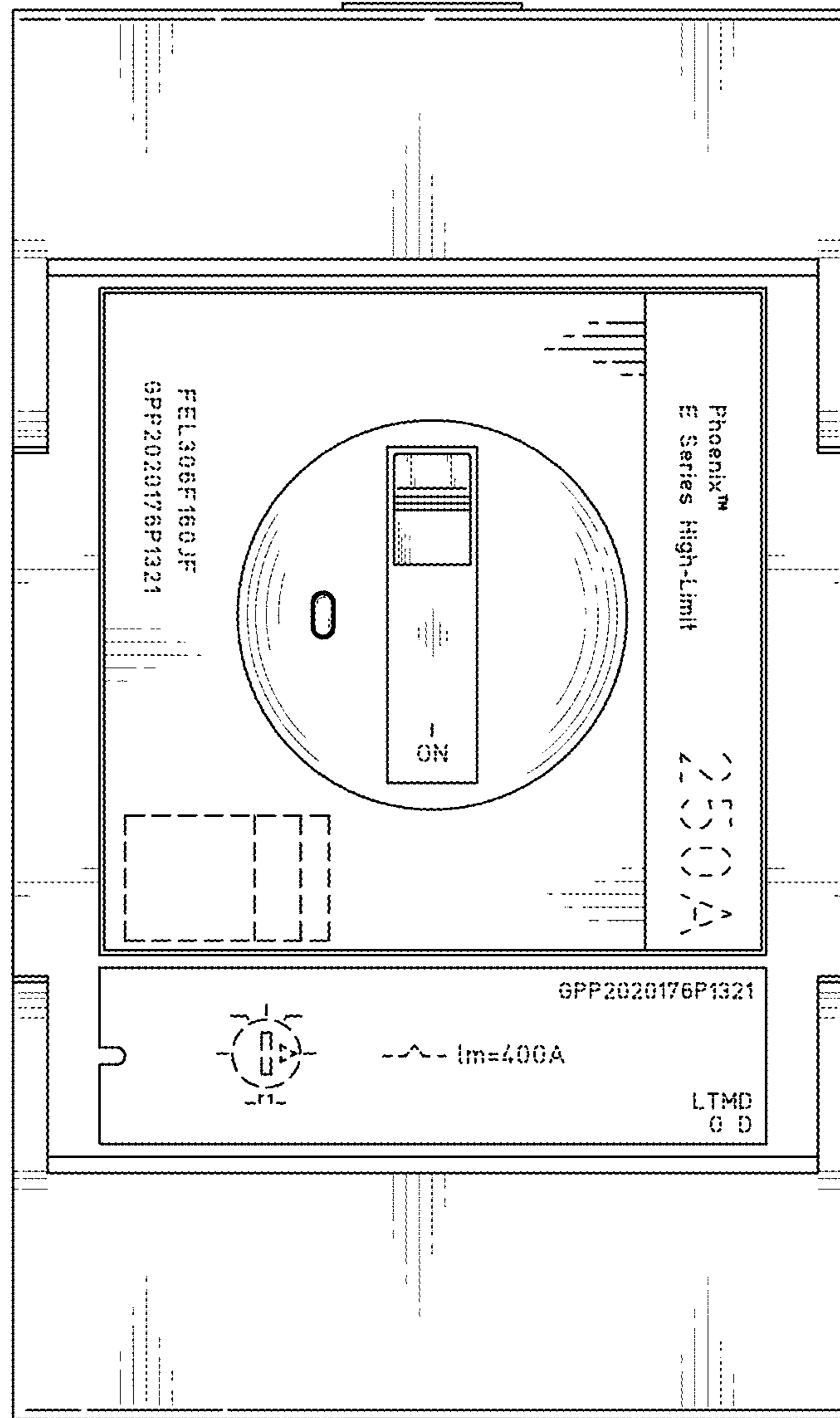


FIG. 2

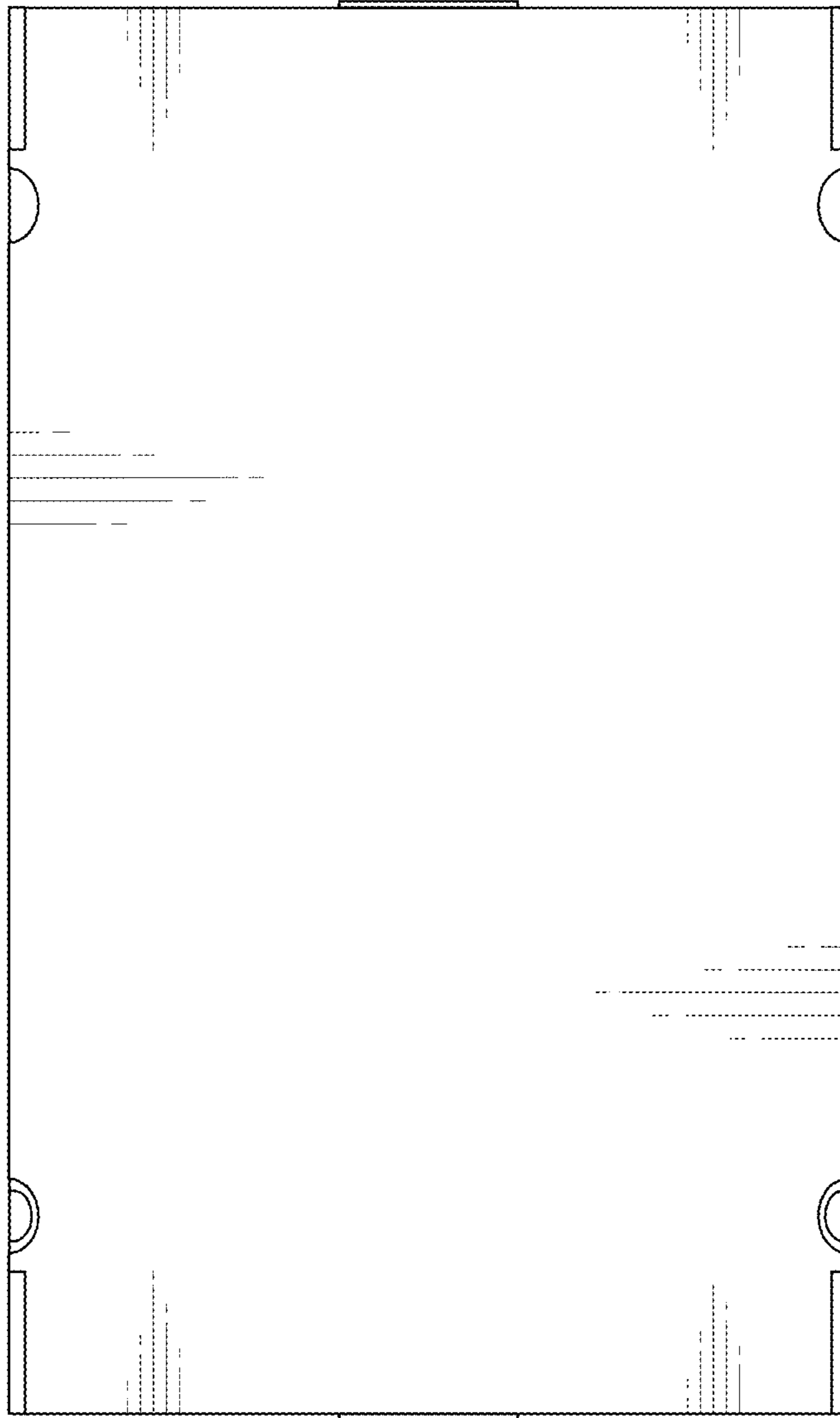


FIG. 3

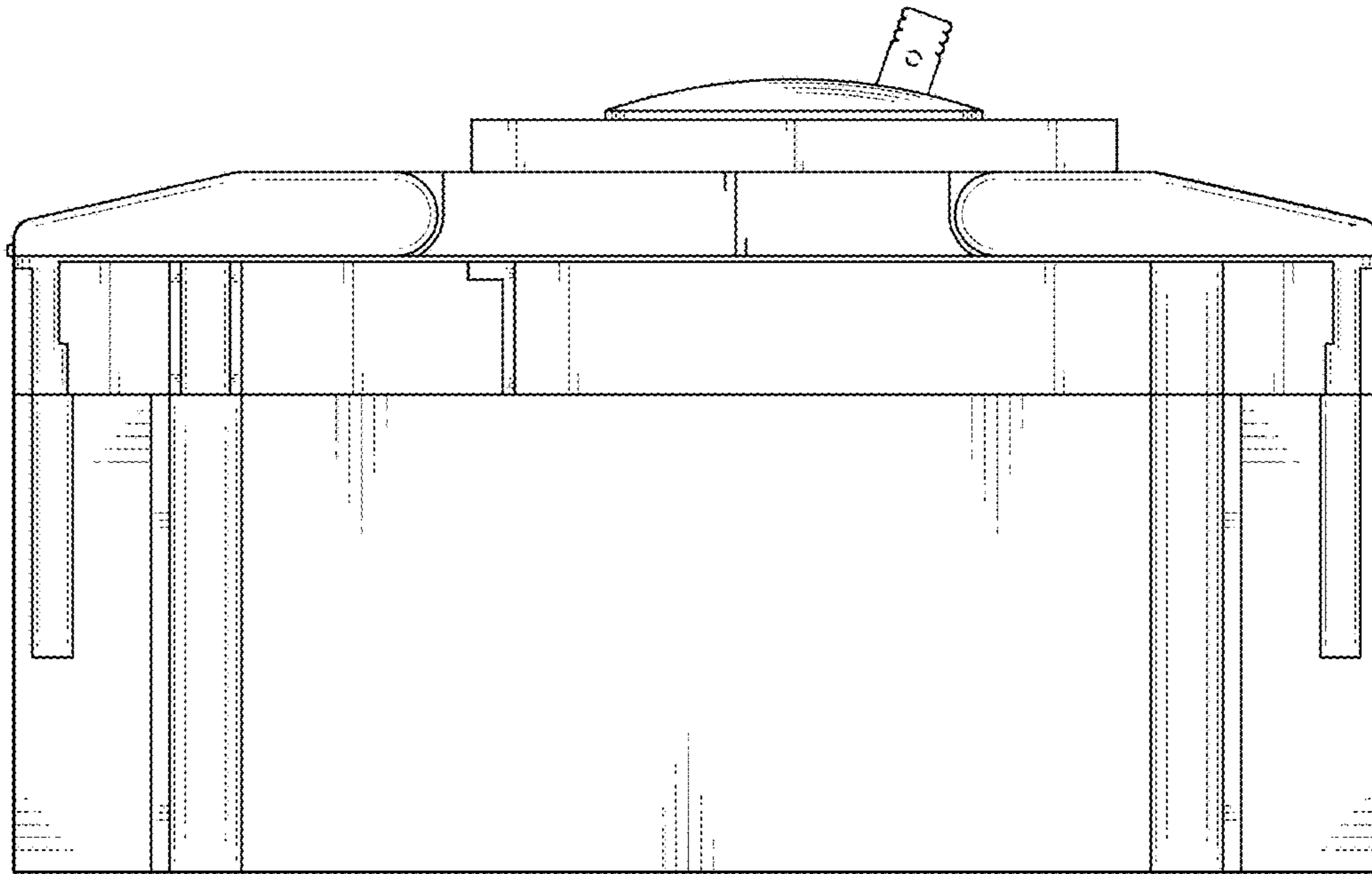


FIG. 4

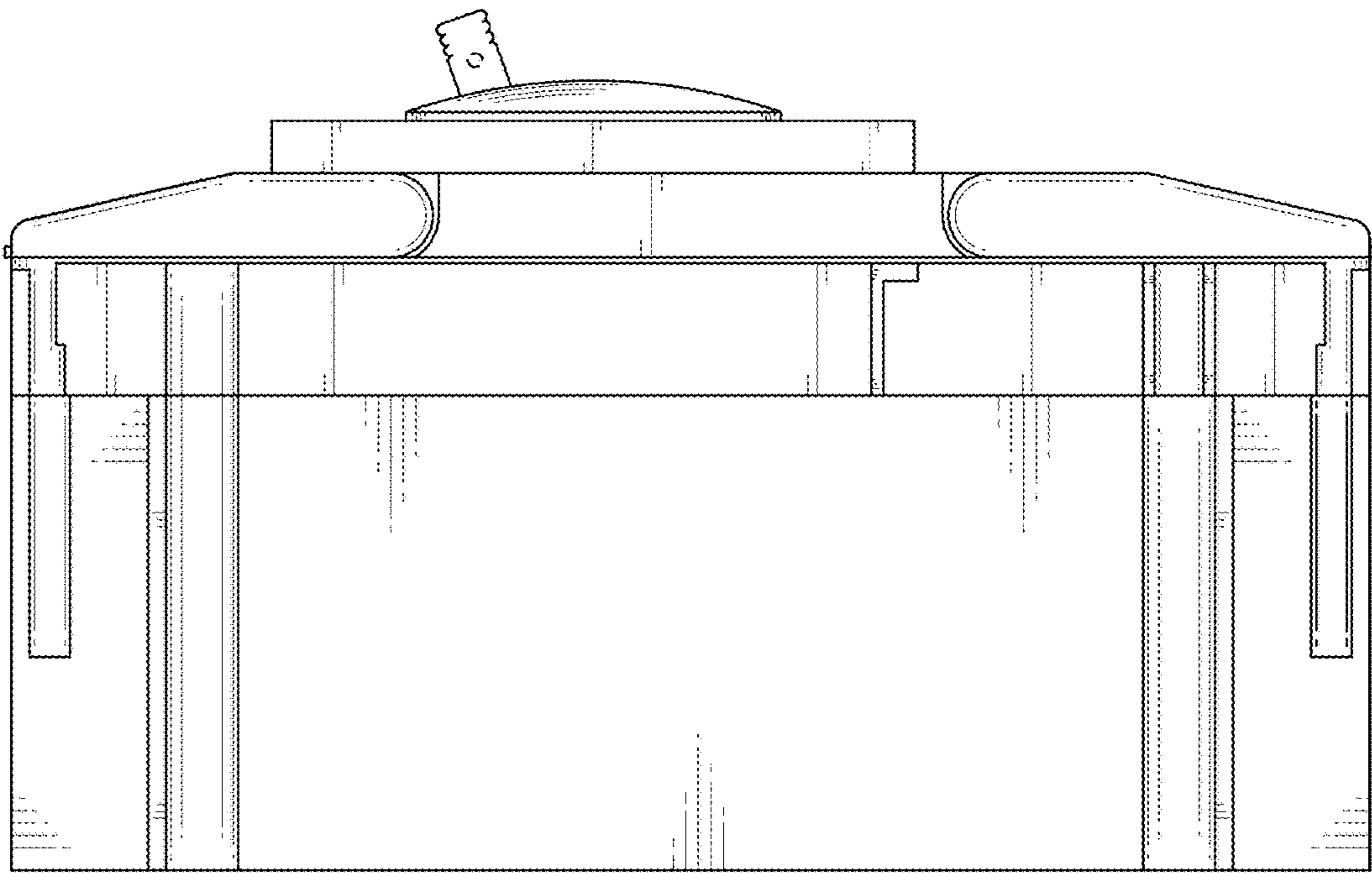


FIG. 5

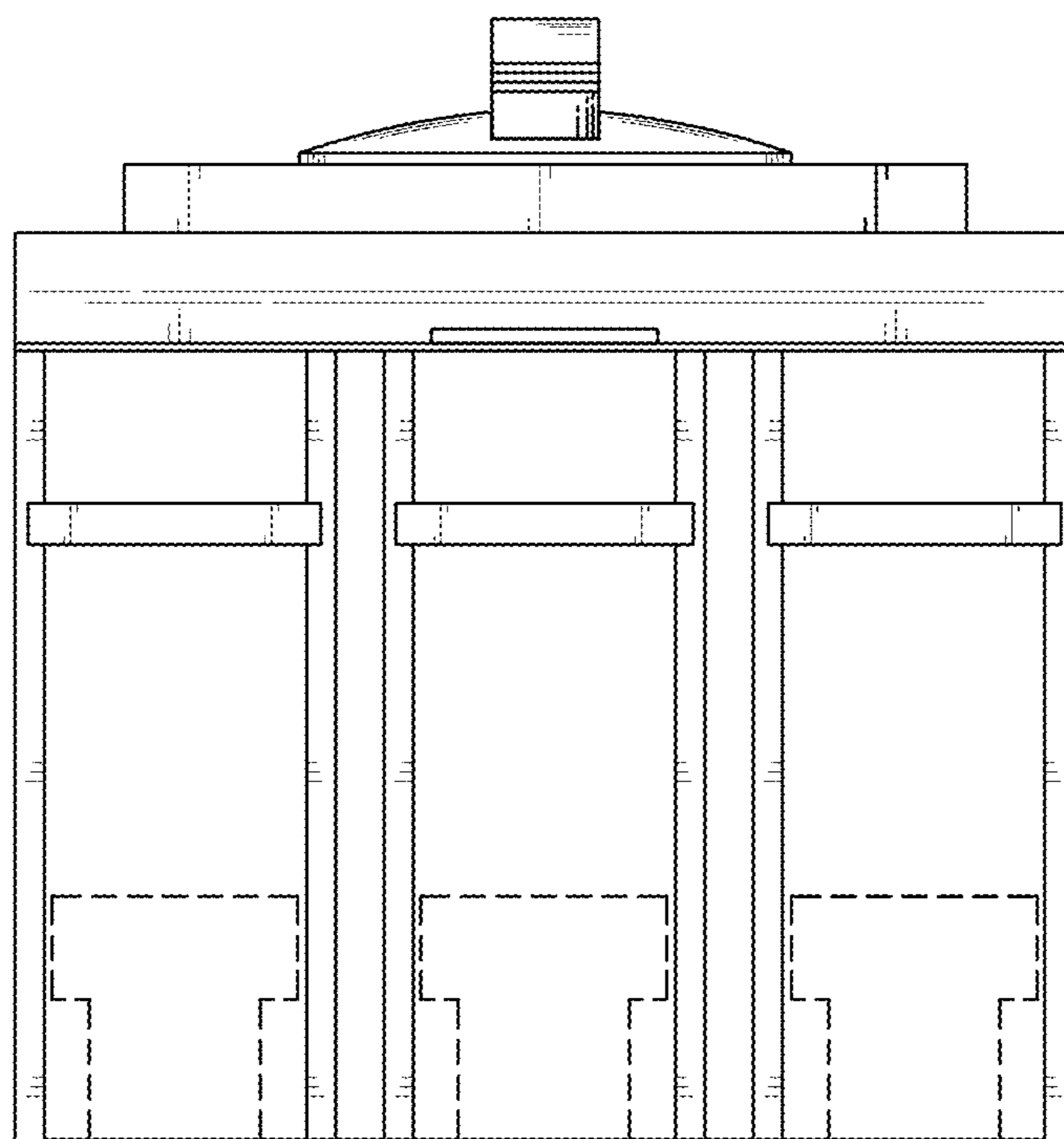


FIG. 6



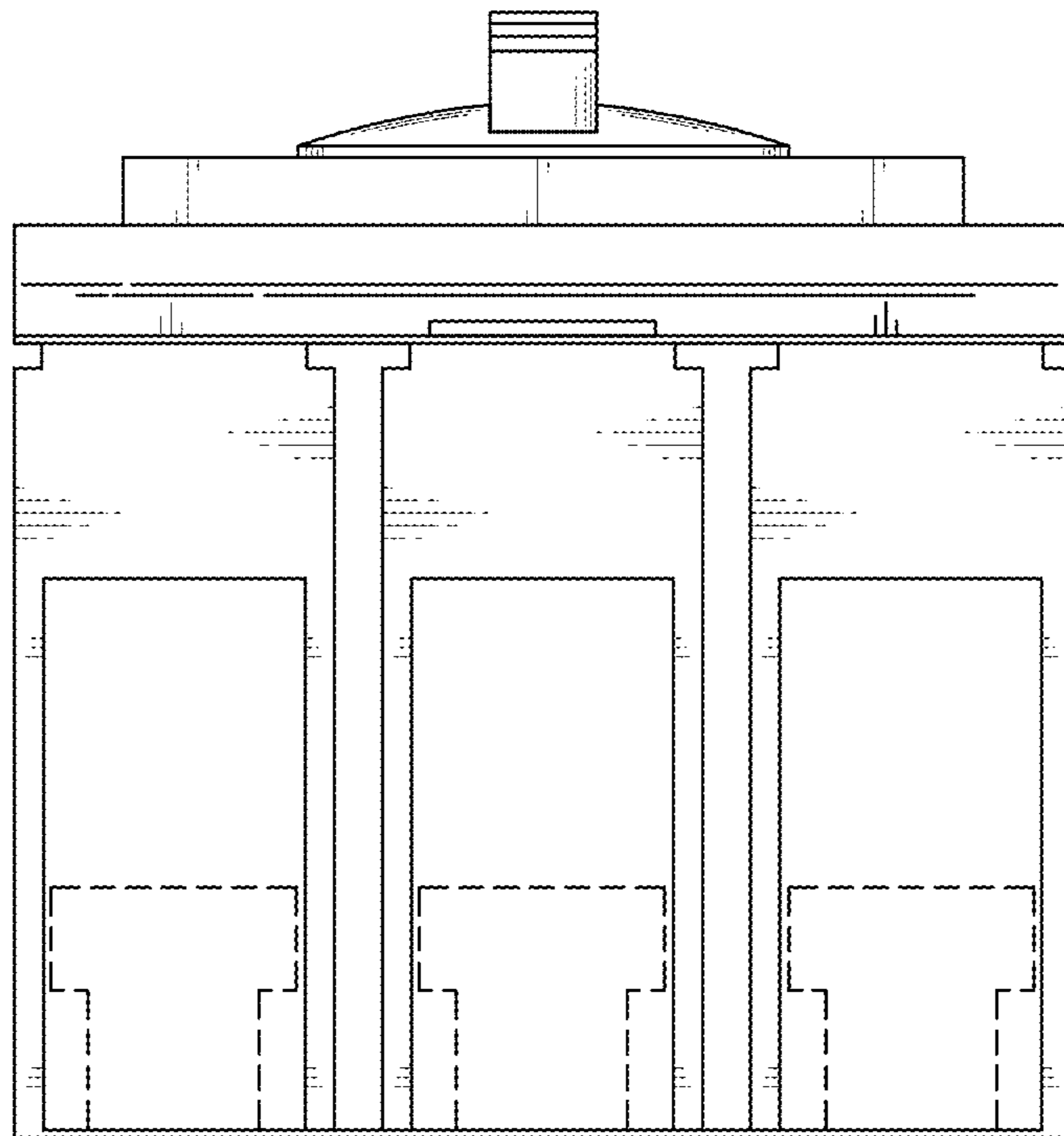


FIG. 7

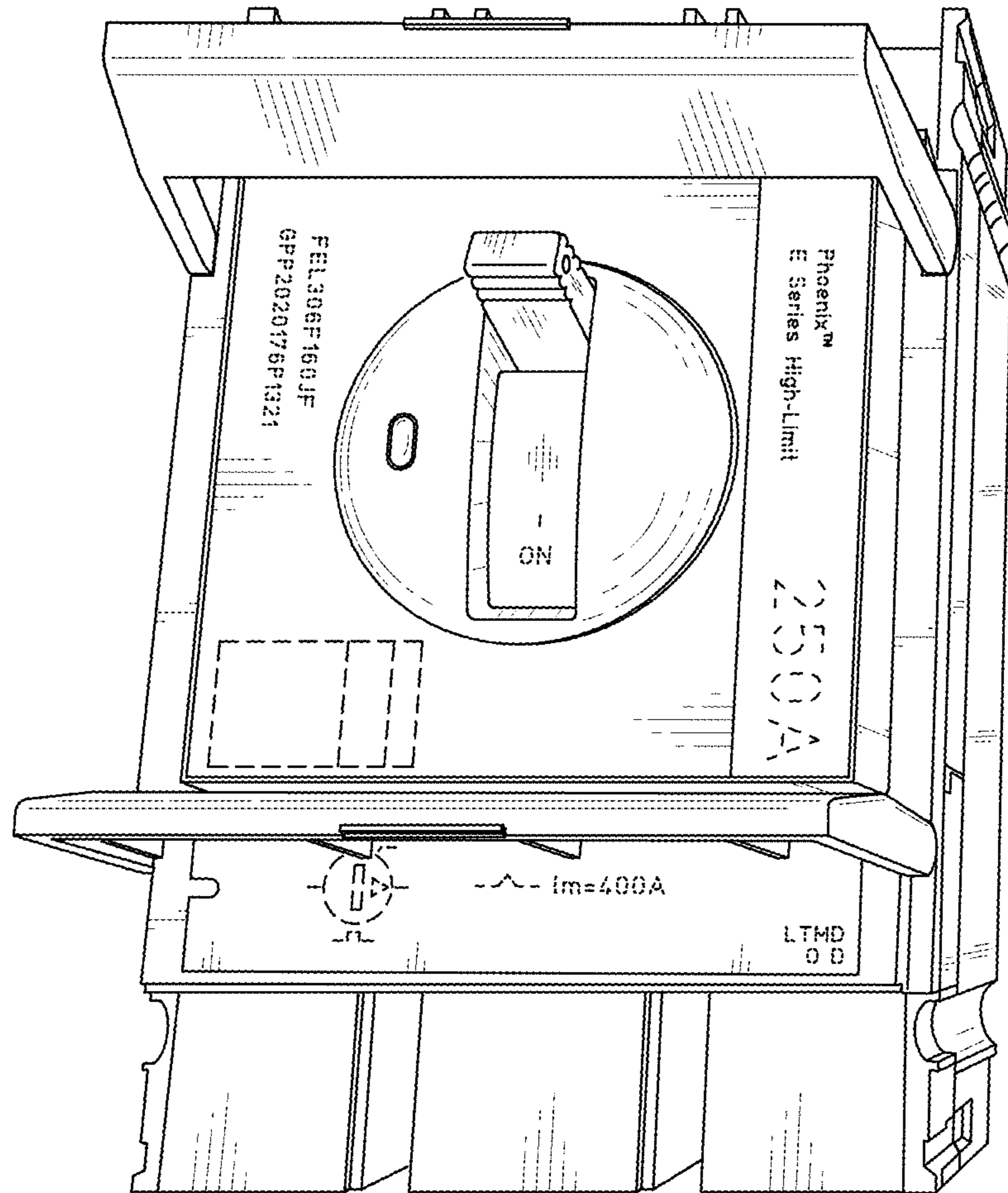


FIG. 8

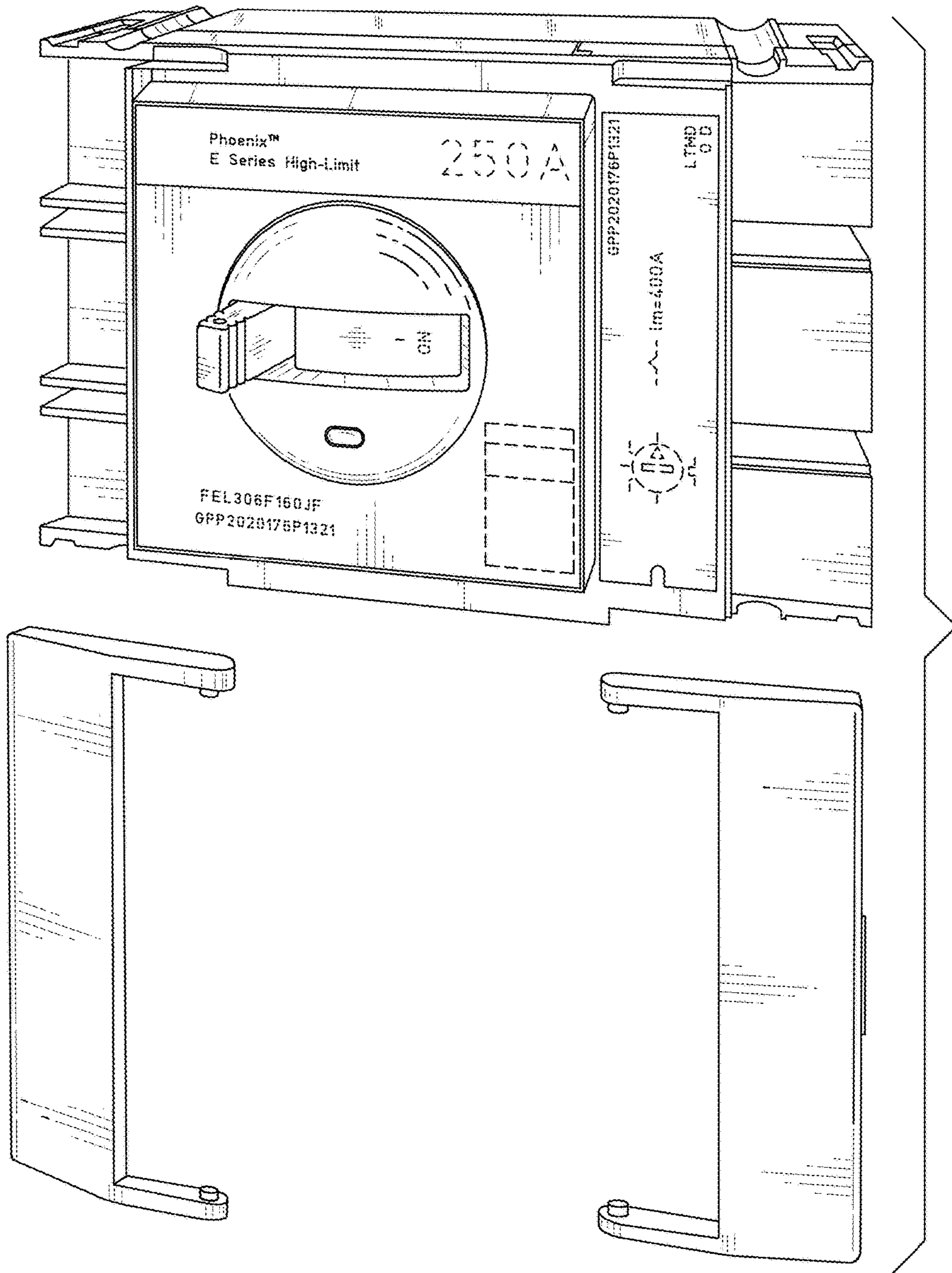


FIG. 9