



US00D803787S

(12) **United States Design Patent**
Koike et al.

(10) **Patent No.:** **US D803,787 S**
(45) **Date of Patent:** **** Nov. 28, 2017**

(54) **ELECTRIC CONNECTOR**

(71) Applicant: **SMK Corporation**, Tokyo (JP)

(72) Inventors: **Satoki Koike**, Tokyo (JP); **Fumio Osawa**, Tokyo (JP)

(73) Assignee: **SMK Corporation**, Tokyo (JP)

(**) Term: **15 Years**

(21) Appl. No.: **29/553,603**

(22) Filed: **Feb. 3, 2016**

(30) **Foreign Application Priority Data**

Aug. 5, 2015 (JP) D2015-017423

(51) **LOC (10) Cl.** **13-03**

(52) **U.S. Cl.**
USPC **D13/147**

(58) **Field of Classification Search**
USPC D13/120, 133, 146, 147, 154, 184, 199
CPC H01R 12/7052; H01R 12/7076;
H01R 12/73; H01R 13/20; H01R
13/6271; H01R 13/6272; H01R 13/629;
H01R 13/631; H01R 13/64;
H01R 13/658; H01R 13/65802; H01R
13/6581; H01R 12/57; H01R 12/7005;
H01R 12/7011; H01R 12/716

See application file for complete search history.

(56) **References Cited**

U.S. PATENT DOCUMENTS

D582,859 S *	12/2008	Sasaki	D13/147
D582,860 S *	12/2008	Sasaki	D13/147
D598,861 S *	8/2009	Hoshino	D13/147
D659,646 S *	5/2012	Kajiura	H01R 12/77
			D13/154
D708,580 S *	7/2014	McCartin	D13/147
D718,245 S *	11/2014	Sato	D13/147

* cited by examiner

Primary Examiner — Daniel Bui

(74) *Attorney, Agent, or Firm* — Locke Lord LLP

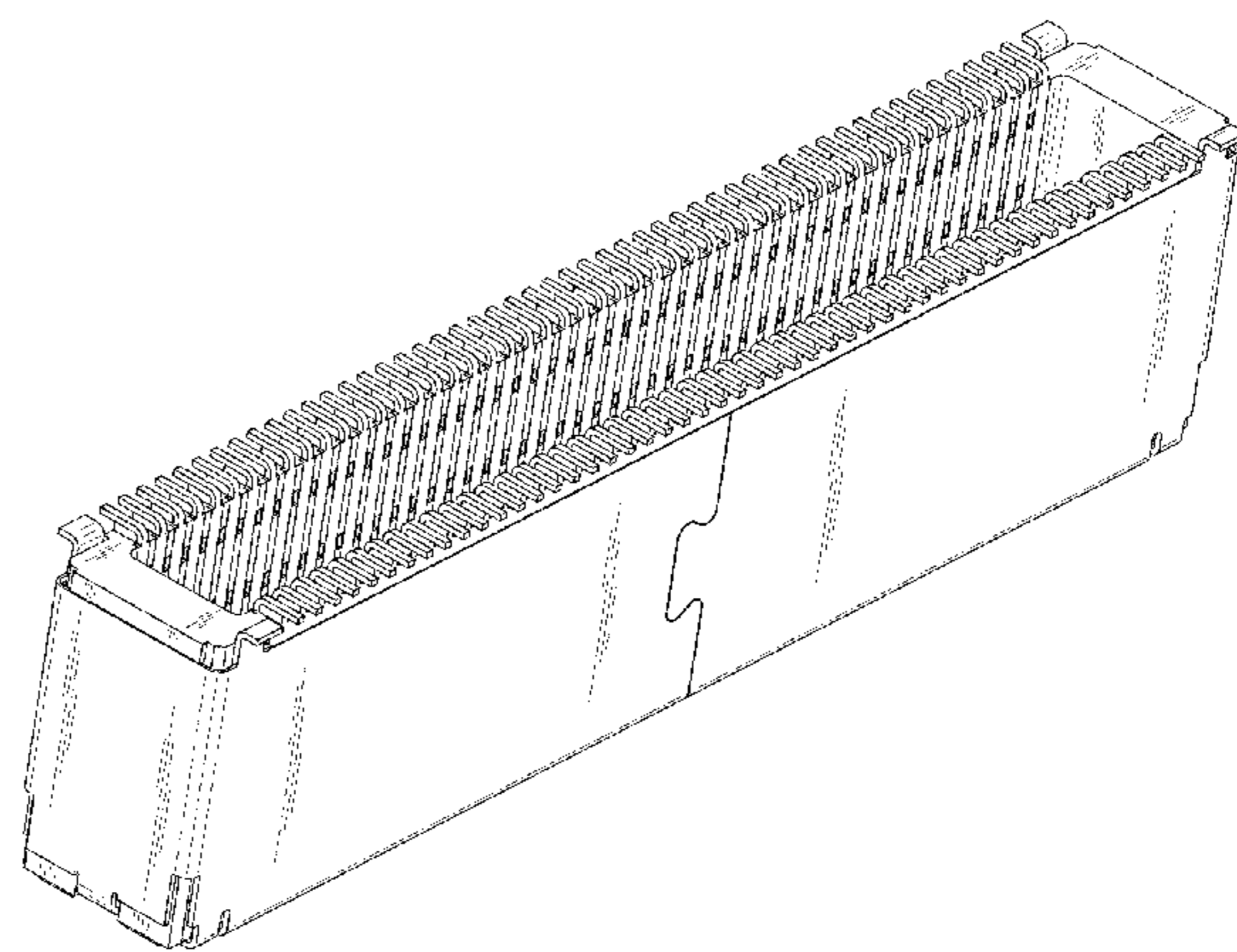
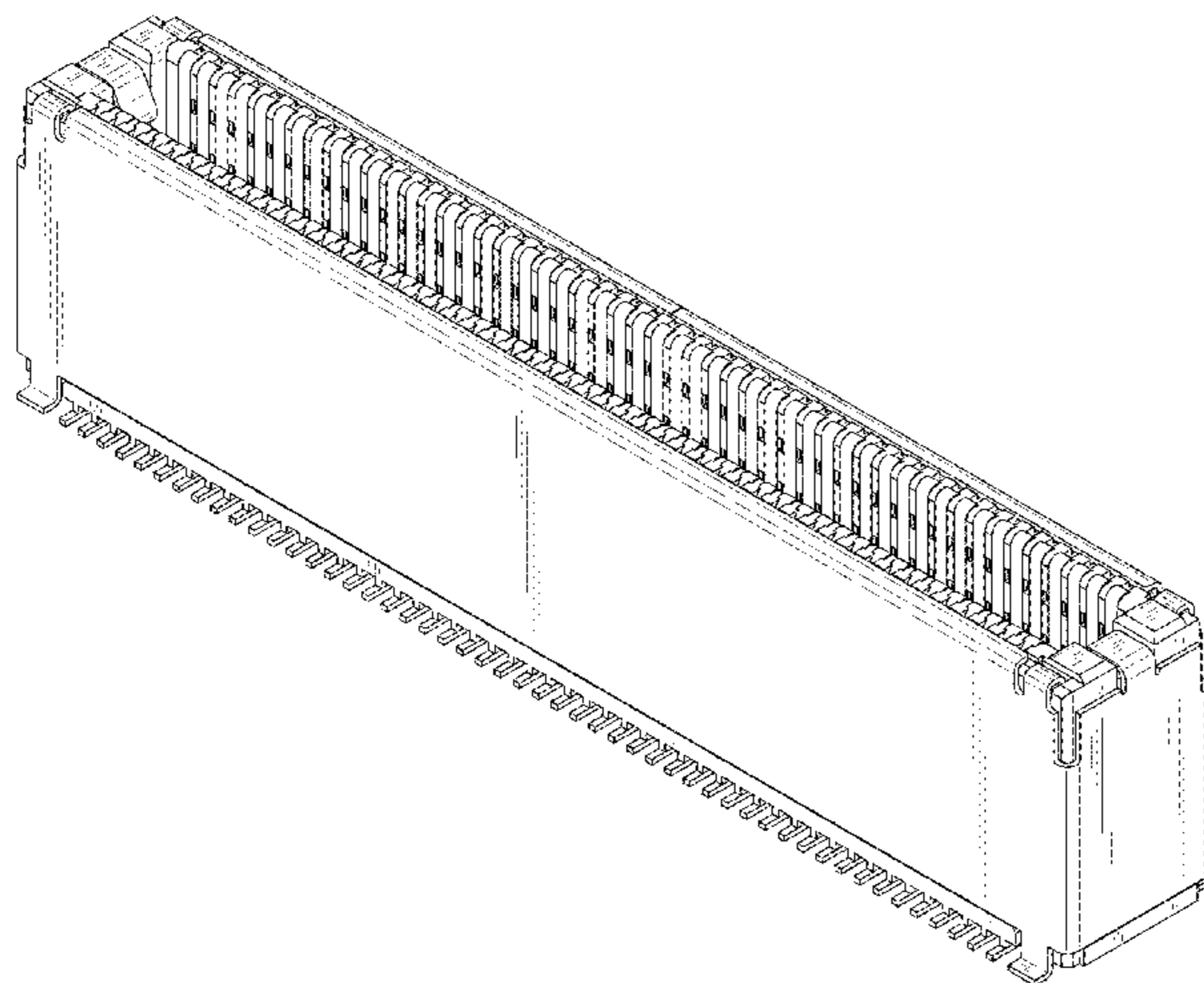
(57) **CLAIM**

The ornamental design for an electric connector, as shown and described.

DESCRIPTION

FIG. 1 is a front perspective view of an electric connector showing our new design.
FIG. 2 is a rear perspective view thereof;
FIG. 3 is a front elevation view thereof;
FIG. 4 is a rear elevation view thereof;
FIG. 5 is a top plan view thereof;
FIG. 6 is a bottom plan view thereof; and,
FIG. 7 is a right-side elevation view thereof.

1 Claim, 7 Drawing Sheets



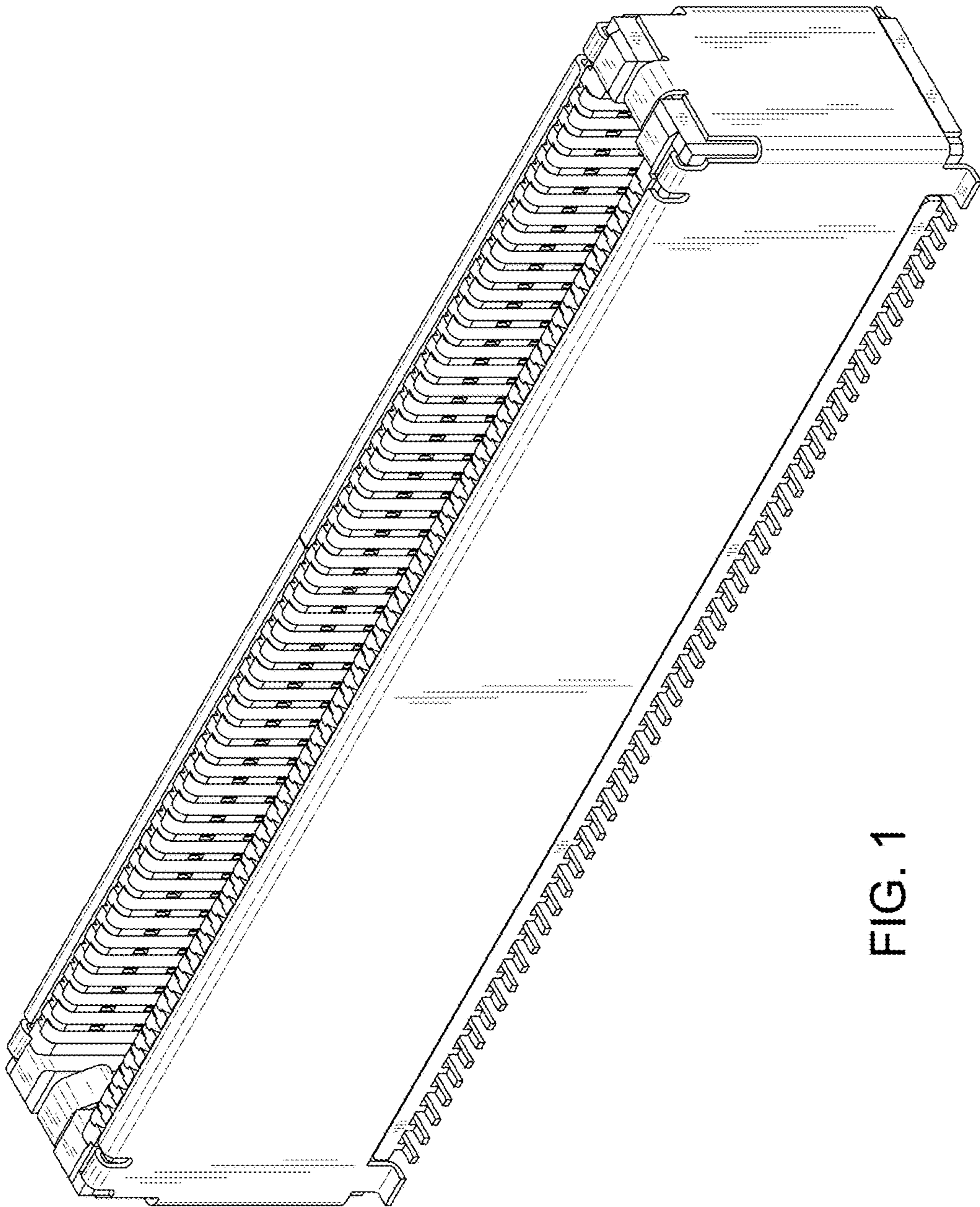


FIG. 1

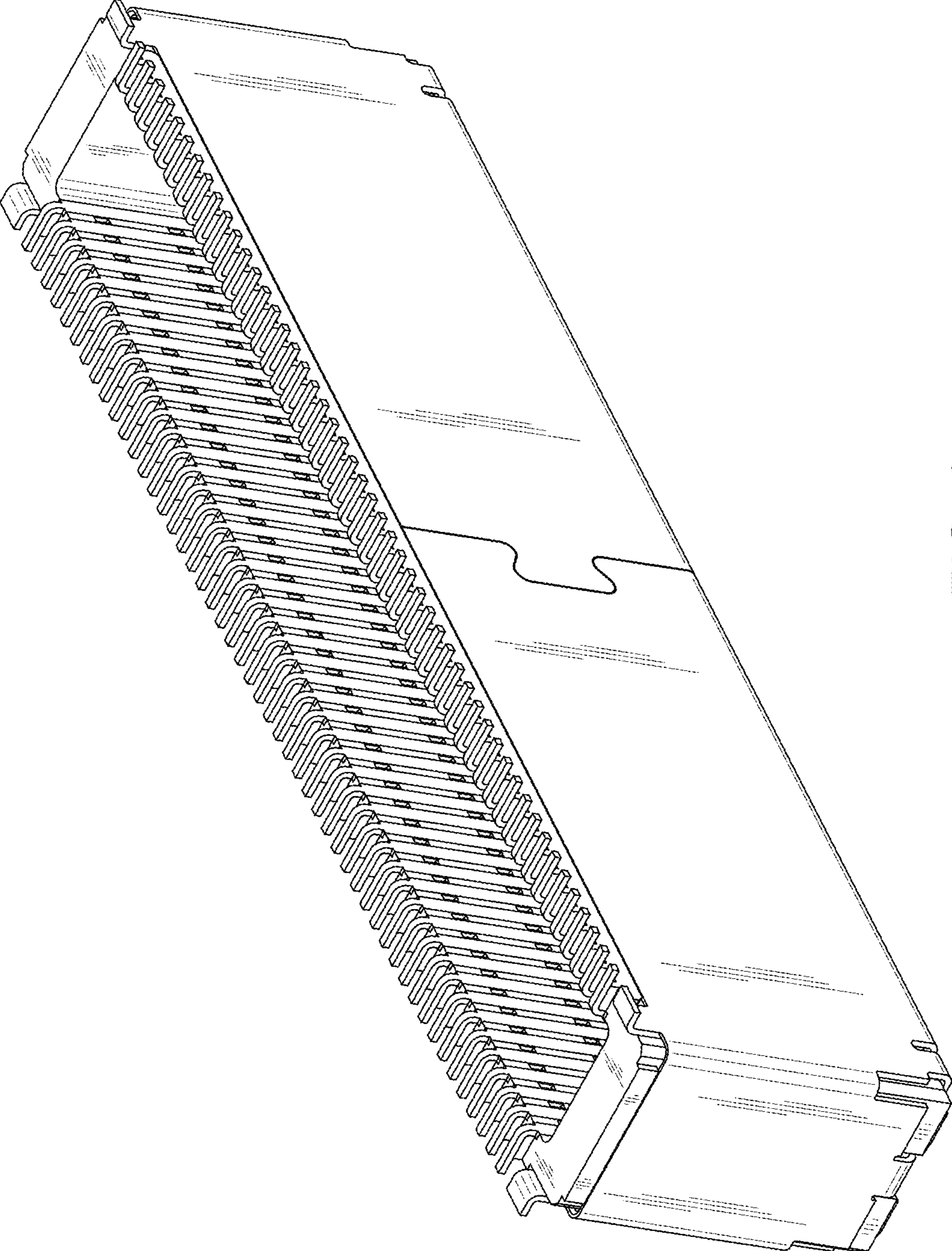


FIG. 2

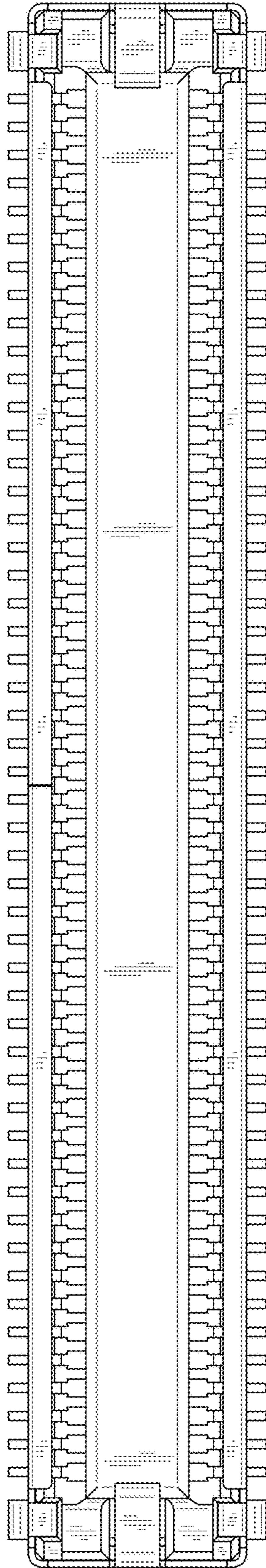


FIG. 3

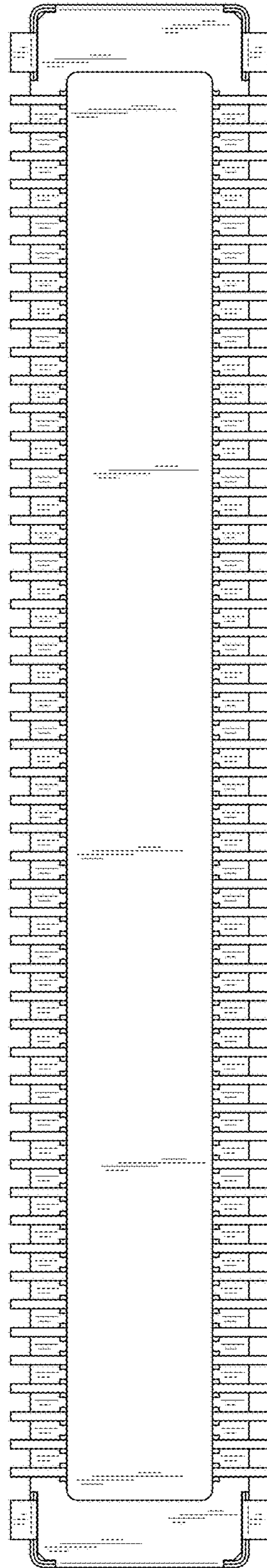


FIG. 4

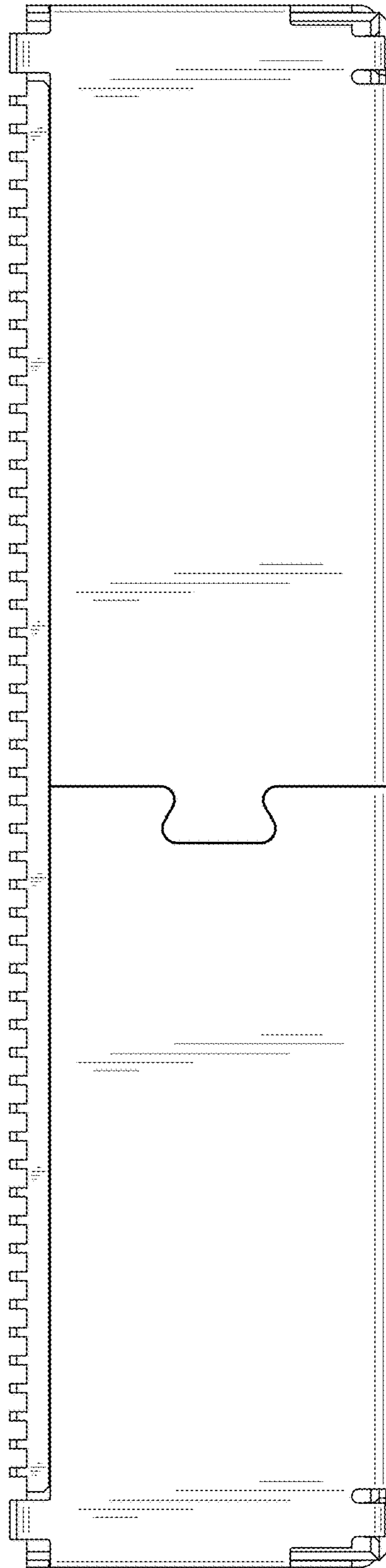


FIG. 5

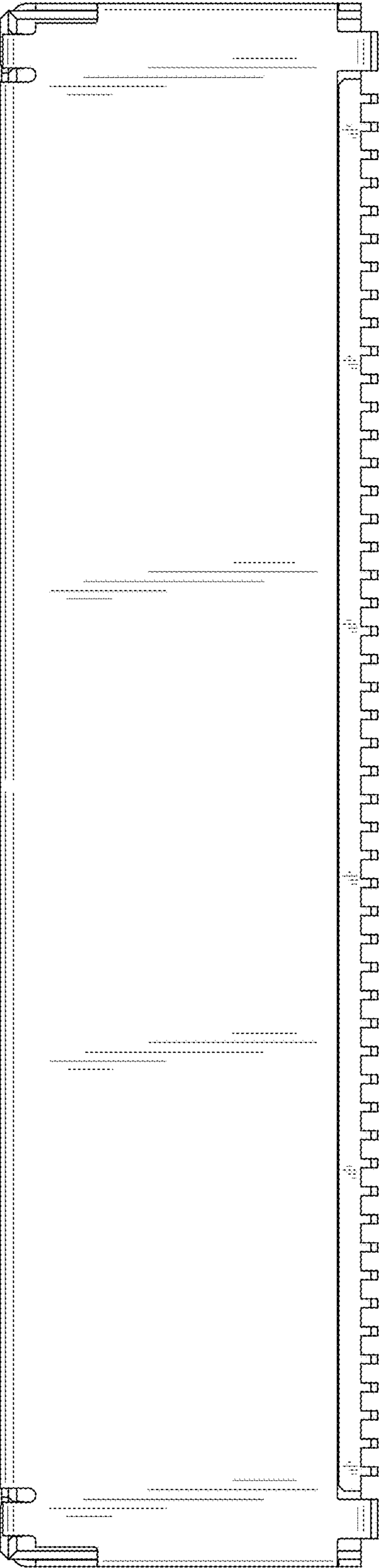


FIG. 6

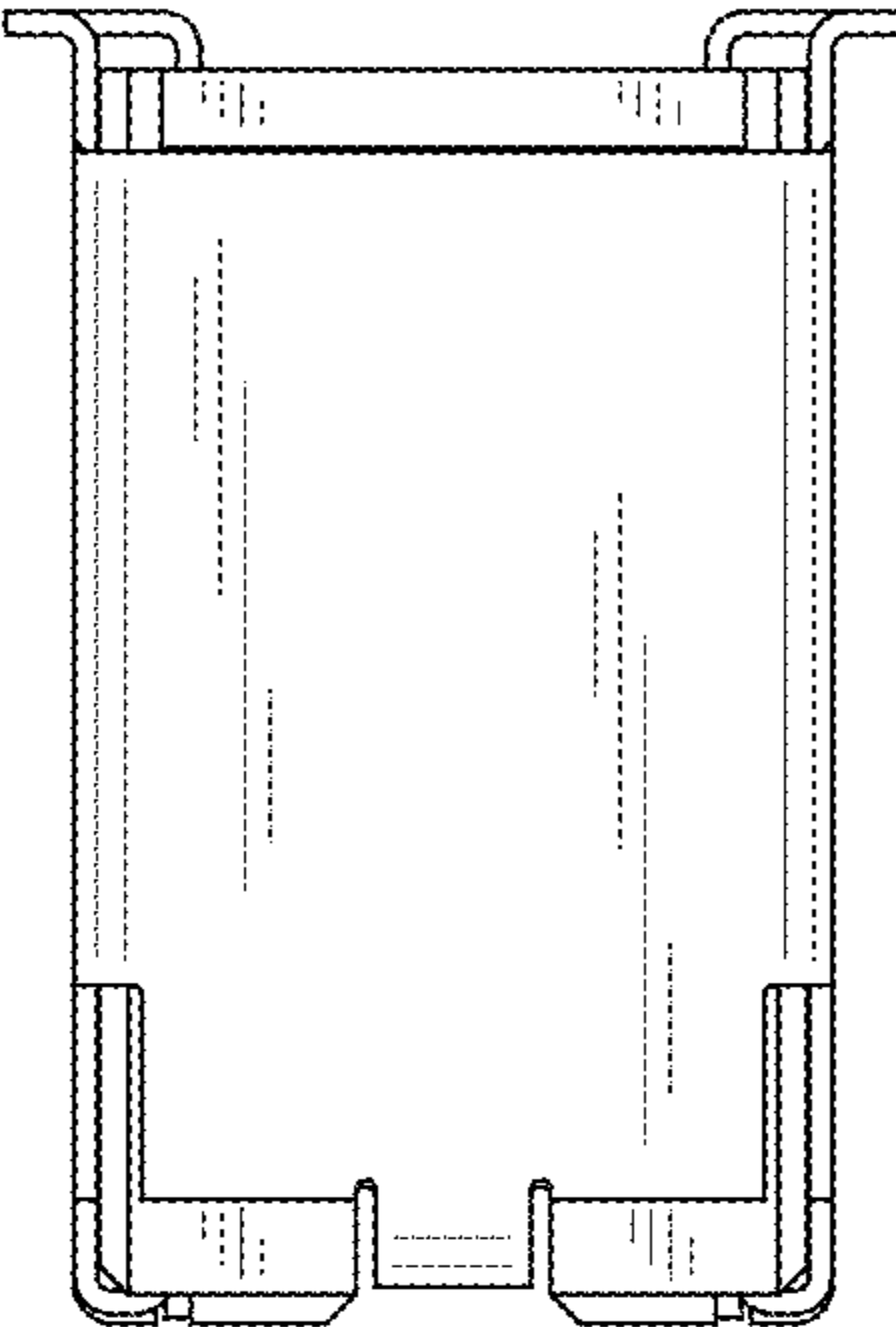


FIG. 7