



US00D803786S

(12) **United States Design Patent** (10) **Patent No.:** **US D803,786 S**
Koike et al. (45) **Date of Patent:** **** Nov. 28, 2017**

(54) **ELECTRIC CONNECTOR**

(71) Applicant: **SMK Corporation**, Tokyo (JP)
 (72) Inventors: **Satoki Koike**, Tokyo (JP); **Fumio Osawa**, Tokyo (JP)
 (73) Assignee: **SMK Corporation**, Tokyo (JP)
 (**) Term: **15 Years**

(21) Appl. No.: **29/553,594**
 (22) Filed: **Feb. 3, 2016**

(30) **Foreign Application Priority Data**

Aug. 5, 2015 (JP) D2015-017422

(51) **LOC (10) Cl.** **13-03**

(52) **U.S. Cl.**
USPC **D13/147**

(58) **Field of Classification Search**
 USPC D13/120, 133, 146, 147, 154, 184, 199
 CPC H01R 12/7052; H01R 12/7076; H01R 12/73; H01R 13/20; H01R 13/6271; H01R 13/6272; H01R 13/629; H01R 13/631; H01R 13/64; H01R 13/658; H01R 13/65802; H01R 13/6581; H01R 12/57; H01R 12/7005; H01R 12/7011; H01R 12/716

See application file for complete search history.

(56) **References Cited**

U.S. PATENT DOCUMENTS

D505,920 S *	6/2005	Moritake	D13/147
D614,141 S *	4/2010	Takemoto	D13/147
D637,957 S *	5/2011	Zhang	D13/147
D690,655 S *	10/2013	Fu	D13/147
D719,921 S *	12/2014	Choi	D13/147
D775,084 S *	12/2016	Sato	D13/147
9,698,508 B2 *	7/2017	Kobayashi	H01R 13/187

* cited by examiner

Primary Examiner — Daniel Bui

(74) *Attorney, Agent, or Firm* — Locke Lord LLP

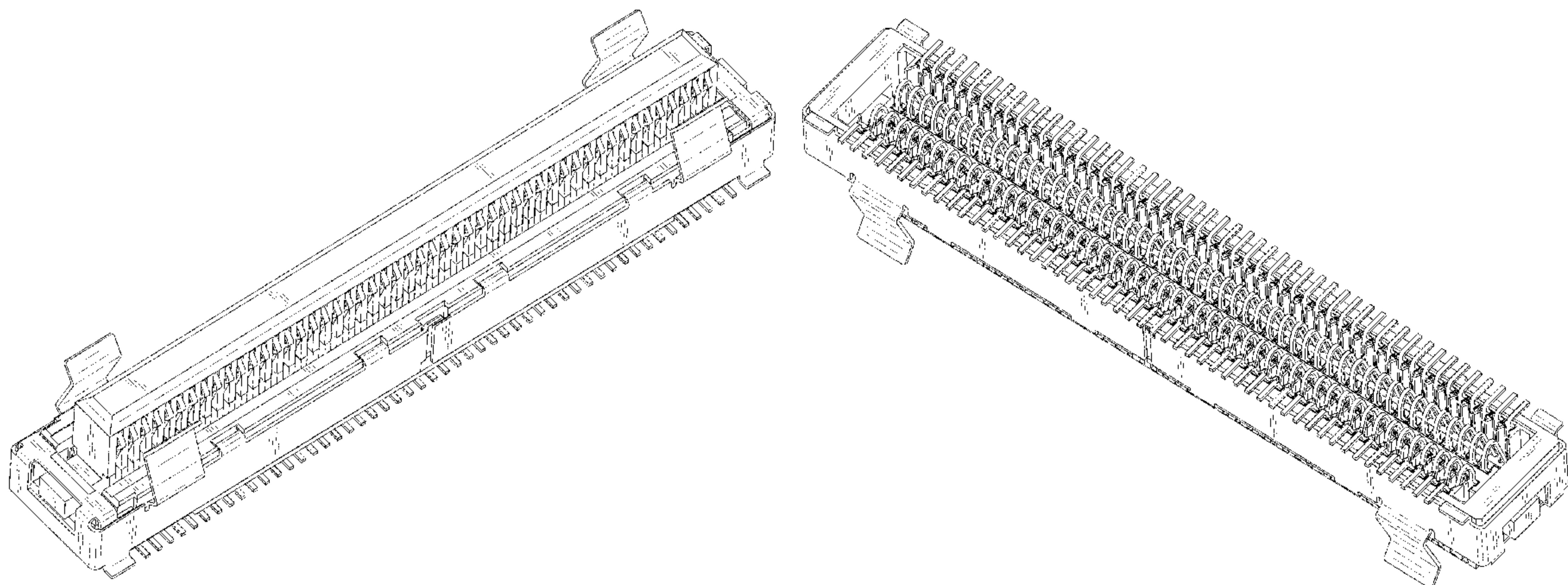
(57) **CLAIM**

The ornamental design for an electric connector, as shown and described.

DESCRIPTION

FIG. 1 is a front perspective view of an electric connector showing our new design.
 FIG. 2 is a rear perspective view thereof;
 FIG. 3 is a front elevation view thereof;
 FIG. 4 is a rear elevation view thereof;
 FIG. 5 is a top plan view thereof;
 FIG. 6 is a right-side elevation view thereof; and,
 FIG. 7 is a cross-sectional view thereof, taken along lines "7-7" of FIG. 3.

1 Claim, 7 Drawing Sheets



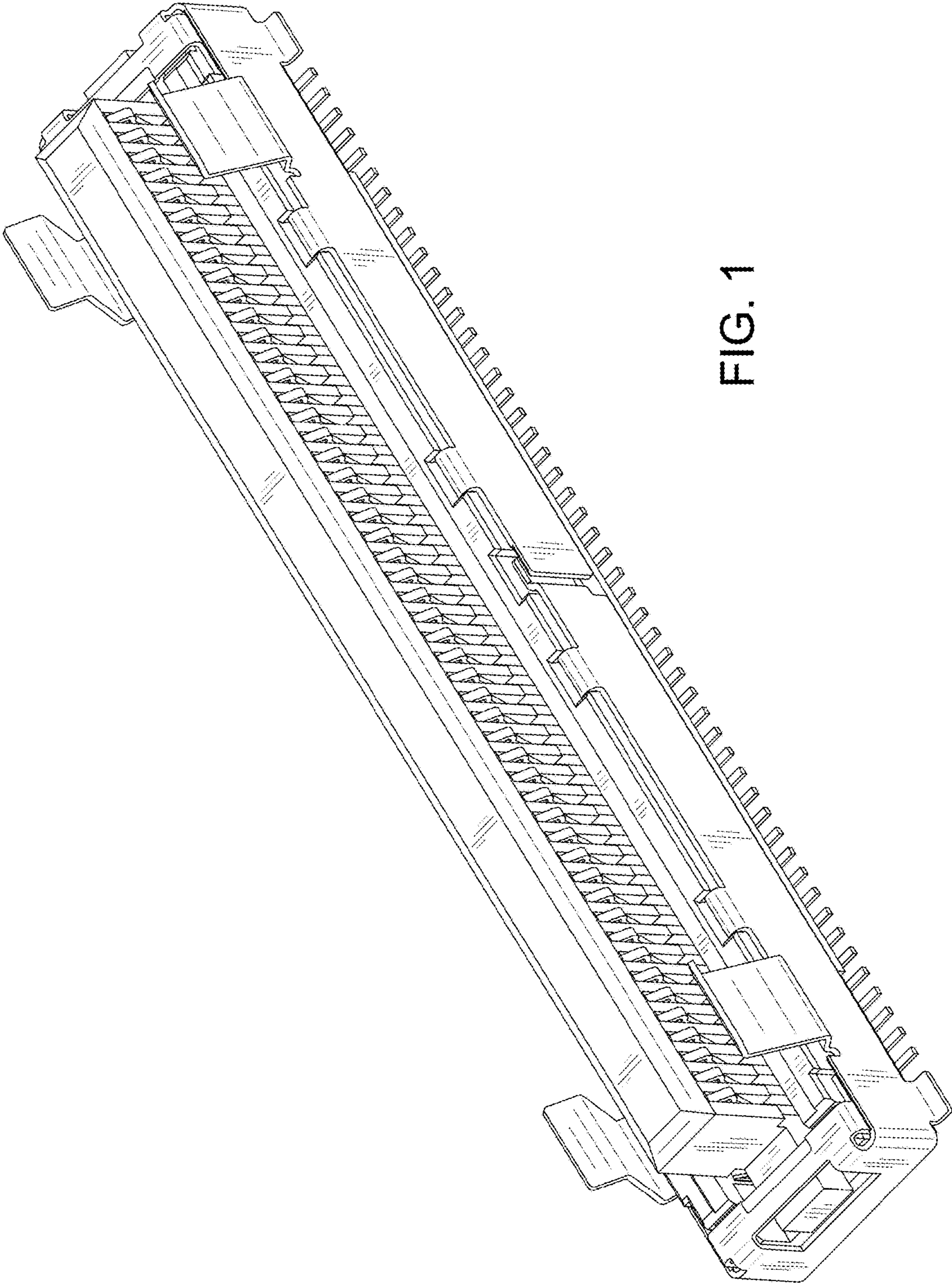


FIG. 1

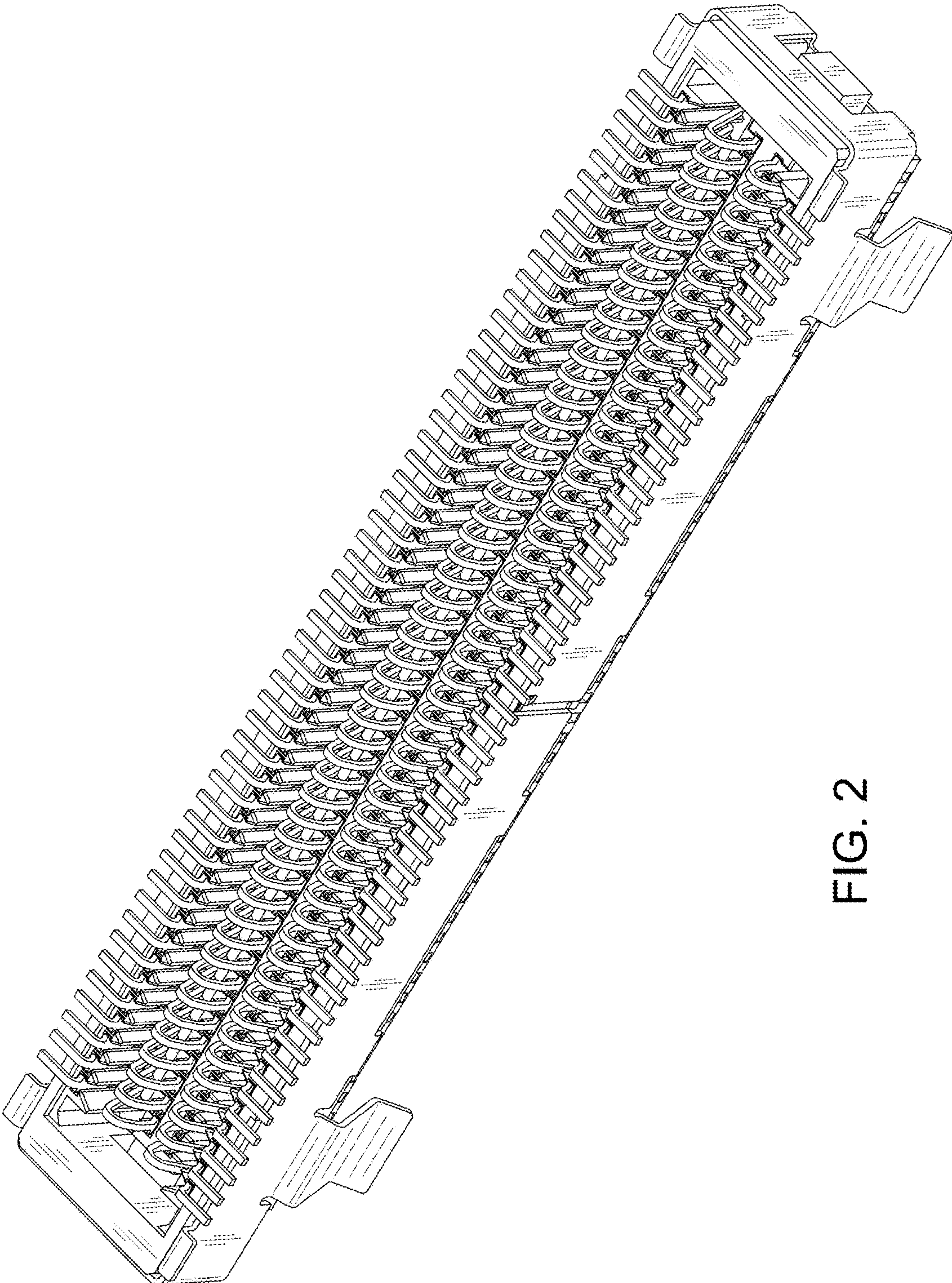


FIG. 2

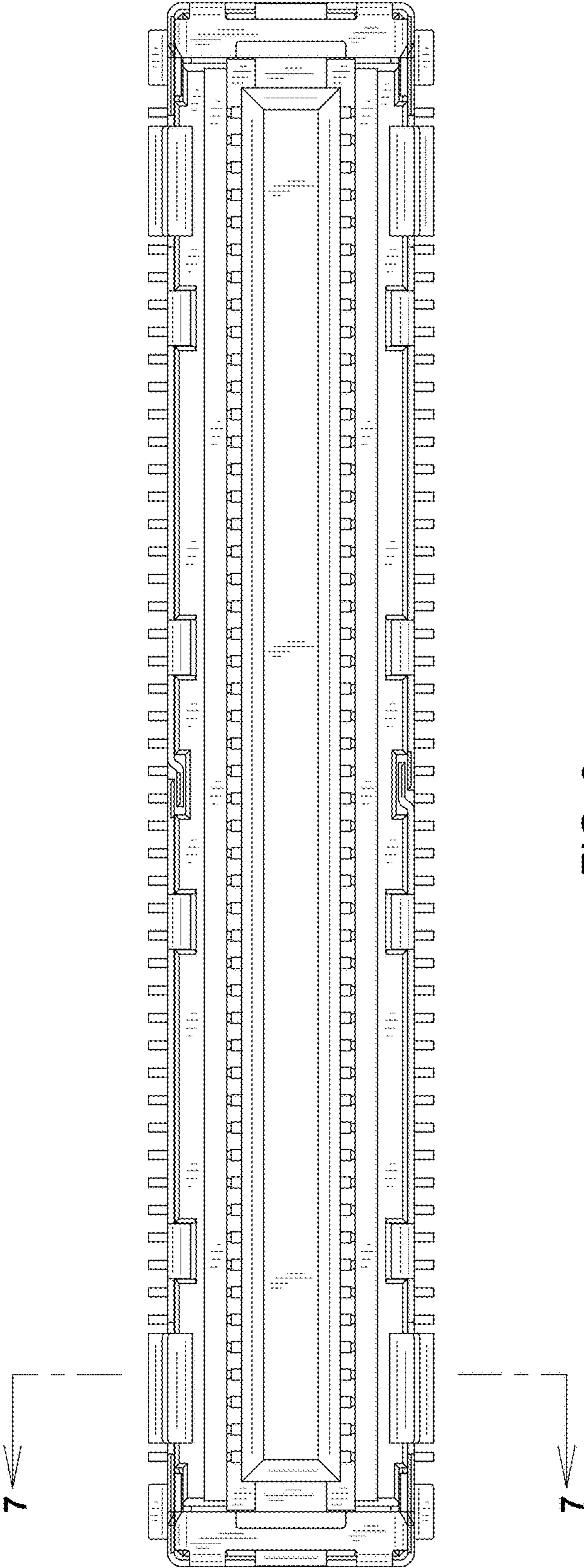


FIG. 3

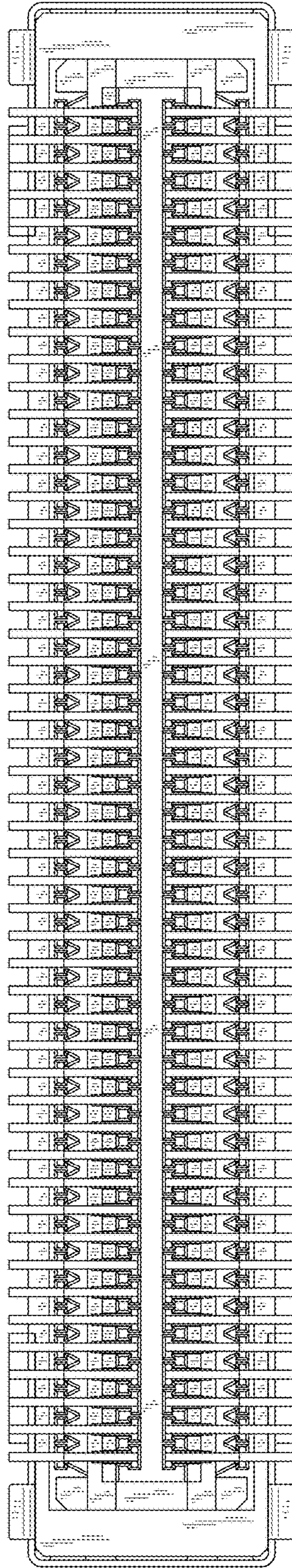


FIG. 4

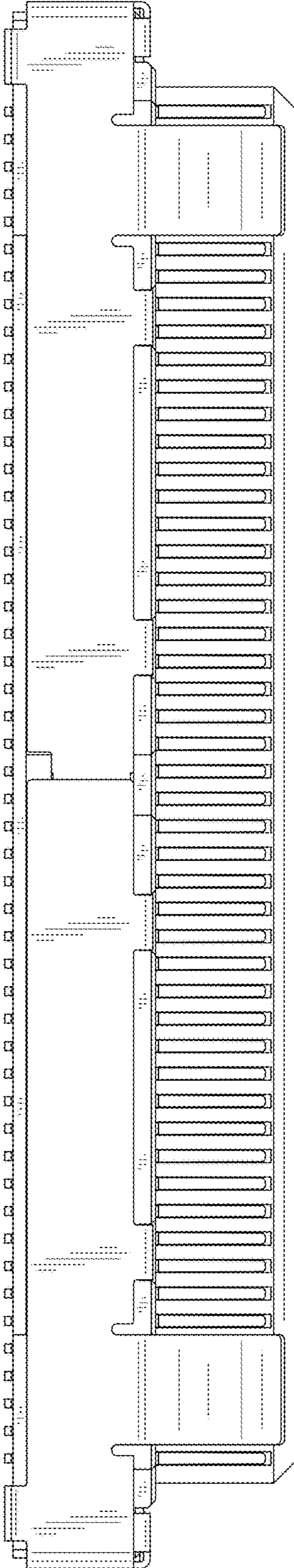


FIG. 5

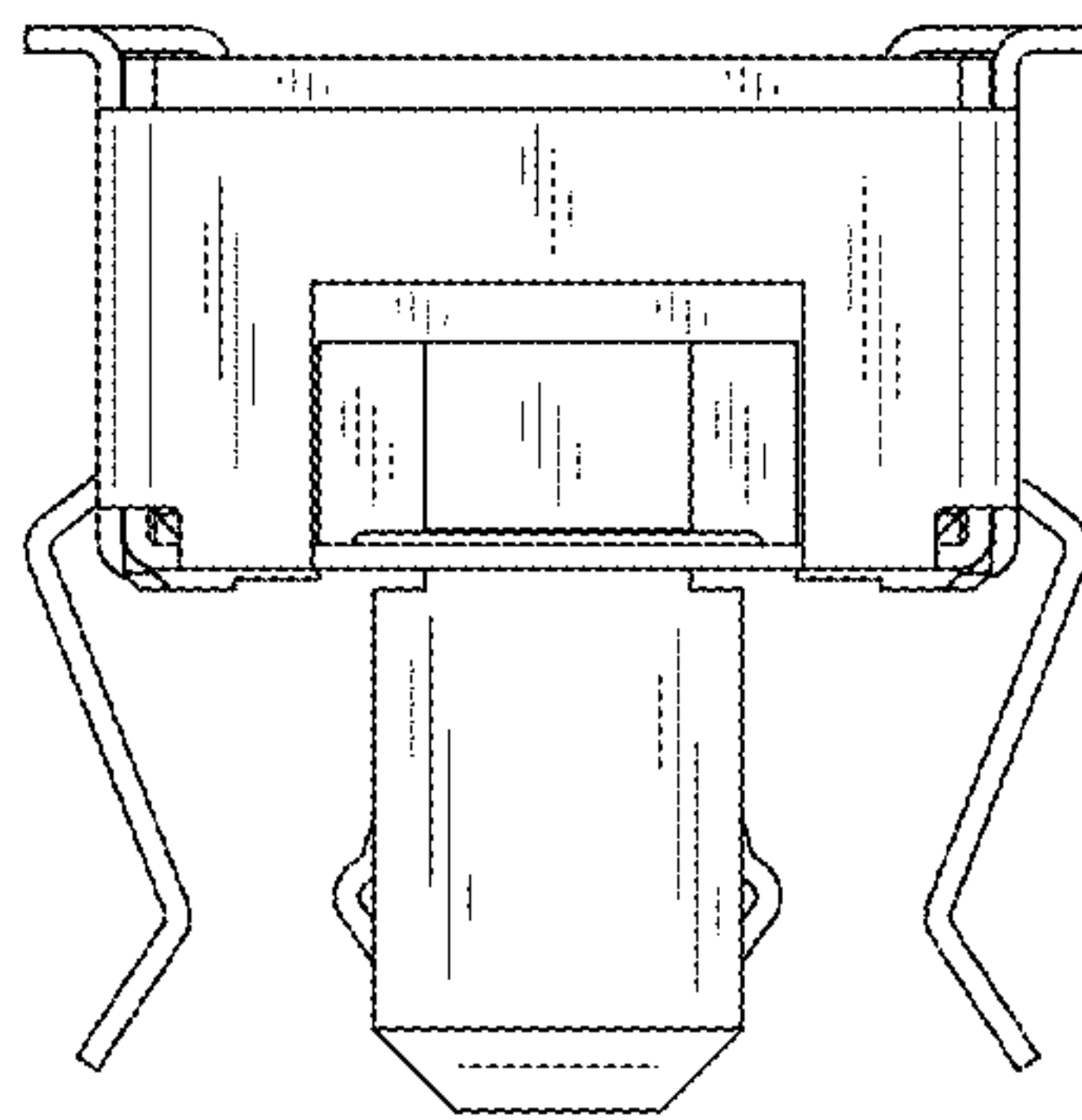


FIG. 6

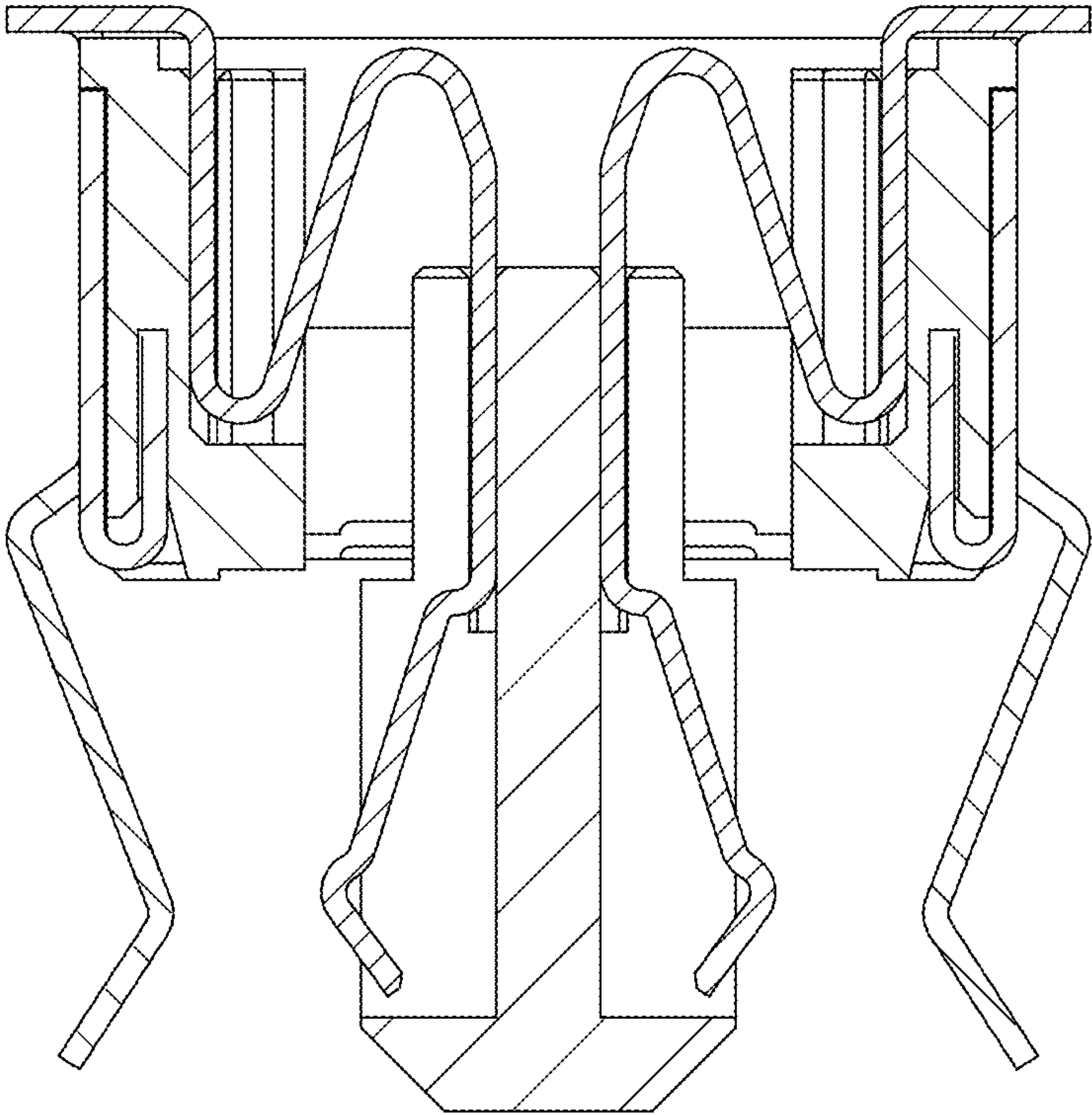


FIG. 7