



US00D803785S

(12) **United States Design Patent** (10) **Patent No.:** **US D803,785 S**
Wadhvani (45) **Date of Patent:** **** Nov. 28, 2017**

(54) **ELECTRIC LAMP SOCKET**
(71) Applicant: **Dinesh Wadhvani**, Natick, MA (US)
(72) Inventor: **Dinesh Wadhvani**, Natick, MA (US)
(**) Term: **15 Years**
(21) Appl. No.: **29/555,309**
(22) Filed: **Feb. 19, 2016**
(51) **LOC (10) Cl.** **13-03**
(52) **U.S. Cl.**
USPC **D13/134**
(58) **Field of Classification Search**
USPC D13/133, 134, 135, 136, 146, 147, 148,
D13/153, 154, 184, 199; D26/42, 113,
D26/123, 124; D8/300, 307, 308, 310,
D8/346, 349, 350, 352, 353, 368, 369,
D8/397, 499, 301, 321, 356, 367, 380,
D8/382, 398; 313/51
See application file for complete search history.

(56) **References Cited**
U.S. PATENT DOCUMENTS
2,522,044 A 9/1950 Kelman
2,841,690 A 7/1958 Kuebler
2,850,710 A 9/1958 Pardue
3,466,594 A 9/1969 Detch
3,781,759 A 12/1973 Shelly, Jr.
3,851,295 A 11/1974 Geier
4,102,558 A 7/1978 Krachman
D249,460 S * 9/1978 Bleed D8/363
4,306,758 A 12/1981 Johnson et al.
4,799,896 A 1/1989 Gaynor et al.
5,033,960 A * 7/1991 Heil A61C 1/088
433/126
D329,188 S * 9/1992 Paul D23/252
5,226,840 A 7/1993 Wojtanek
5,600,199 A 2/1997 Martin, Sr. et al.
6,099,144 A 8/2000 Klaus

D442,073 S * 5/2001 Lyndon D6/323
D504,300 S * 4/2005 Chen D8/310
D506,378 S * 6/2005 Coudurier D8/310
D555,464 S * 11/2007 Goodman D8/372
D558,565 S * 1/2008 Goodman D8/372
D571,193 S * 6/2008 Goodman D8/372
7,448,892 B2 11/2008 Dowdle et al.
D642,354 S * 7/2011 Diegel D34/38
D642,548 S * 8/2011 Bowen, III D13/183
9,054,475 B2 6/2015 Hoffman
2005/0148242 A1 7/2005 Latsis
2009/0045715 A1* 2/2009 Shantha F21K 9/135
313/51

(Continued)

FOREIGN PATENT DOCUMENTS

CN 2376107 Y 4/2000
WO 8203293 9/1982
WO 2008136458 4/2008

Primary Examiner — Daniel Bui
(74) *Attorney, Agent, or Firm* — Gary E. Lambert; David J. Connaughton, Jr.; Lambert & Associates

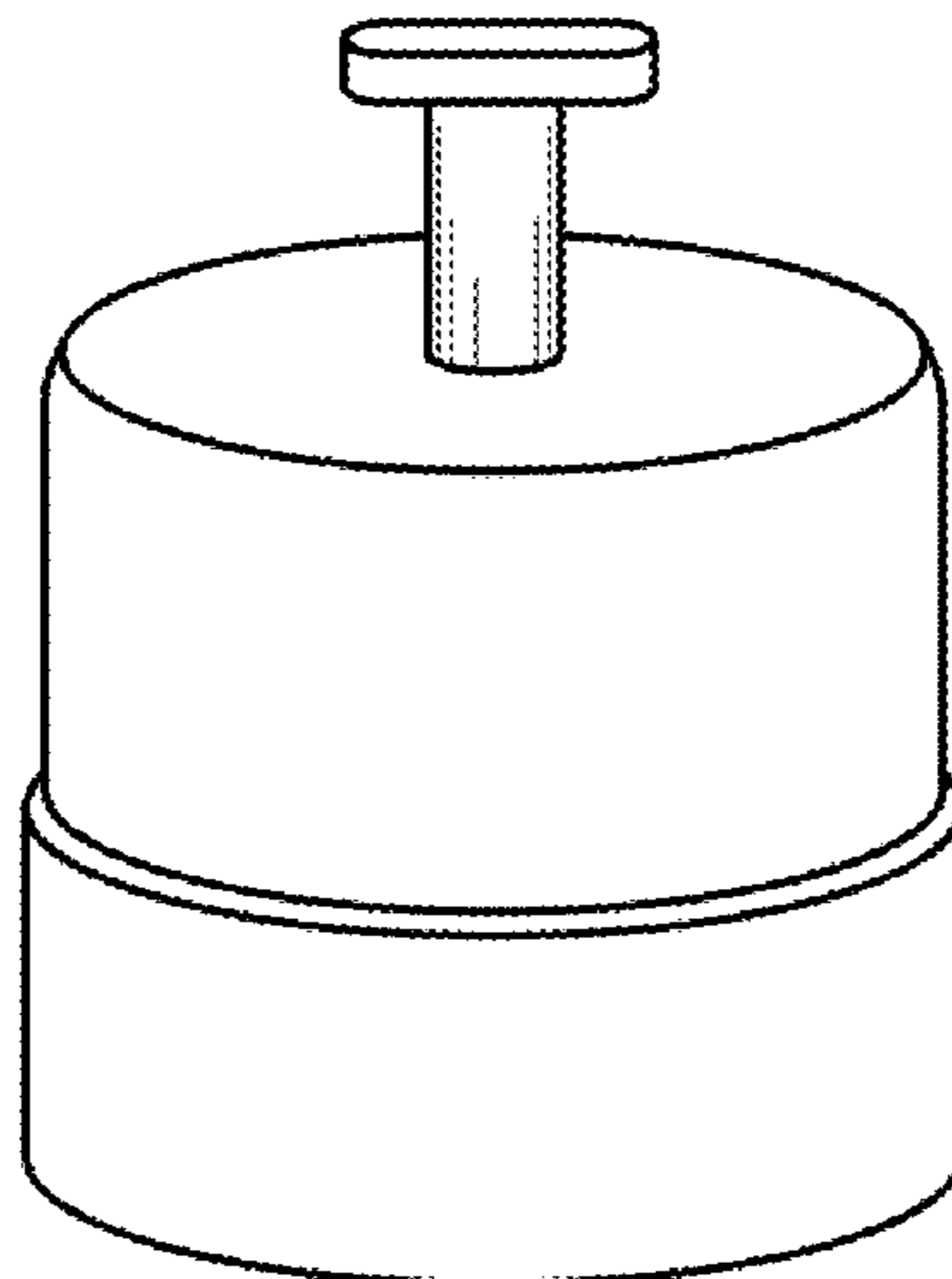
(57) **CLAIM**

The ornamental design for an electric lamp socket, as shown and described.

DESCRIPTION

FIG. 1 is a top perspective view of an electric lamp socket showing my new design;
FIG. 2 is a side elevation view thereof;
FIG. 3 is an opposition side elevation view of FIG. 2;
FIG. 4 is a top plan view thereof; and,
FIG. 5 is a bottom plan view thereof.
The broken lines in the drawing views represent unclaimed portions of the electric lamp socket, which are shown for illustration purposes only and form no part of the claimed design.

1 Claim, 1 Drawing Sheet



(56)

References Cited

U.S. PATENT DOCUMENTS

2011/0003497 A1 1/2011 Pompan
2013/0181594 A1* 7/2013 Osada H01R 33/0845
313/51
2013/0229794 A1* 9/2013 Miki F21V 15/00
362/223
2016/0069556 A1* 3/2016 Li H01R 33/7607
439/230

* cited by examiner

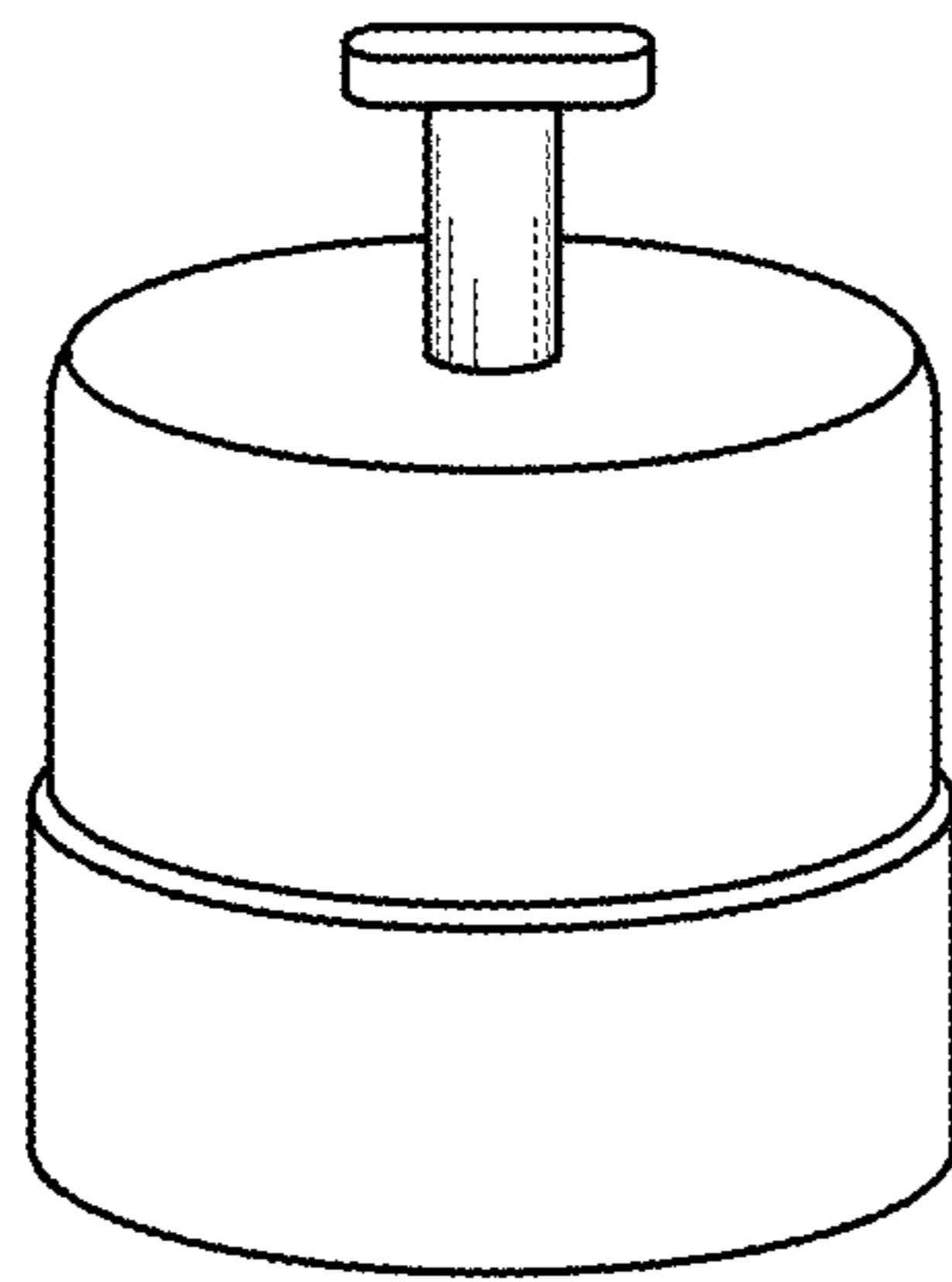


Fig. 1

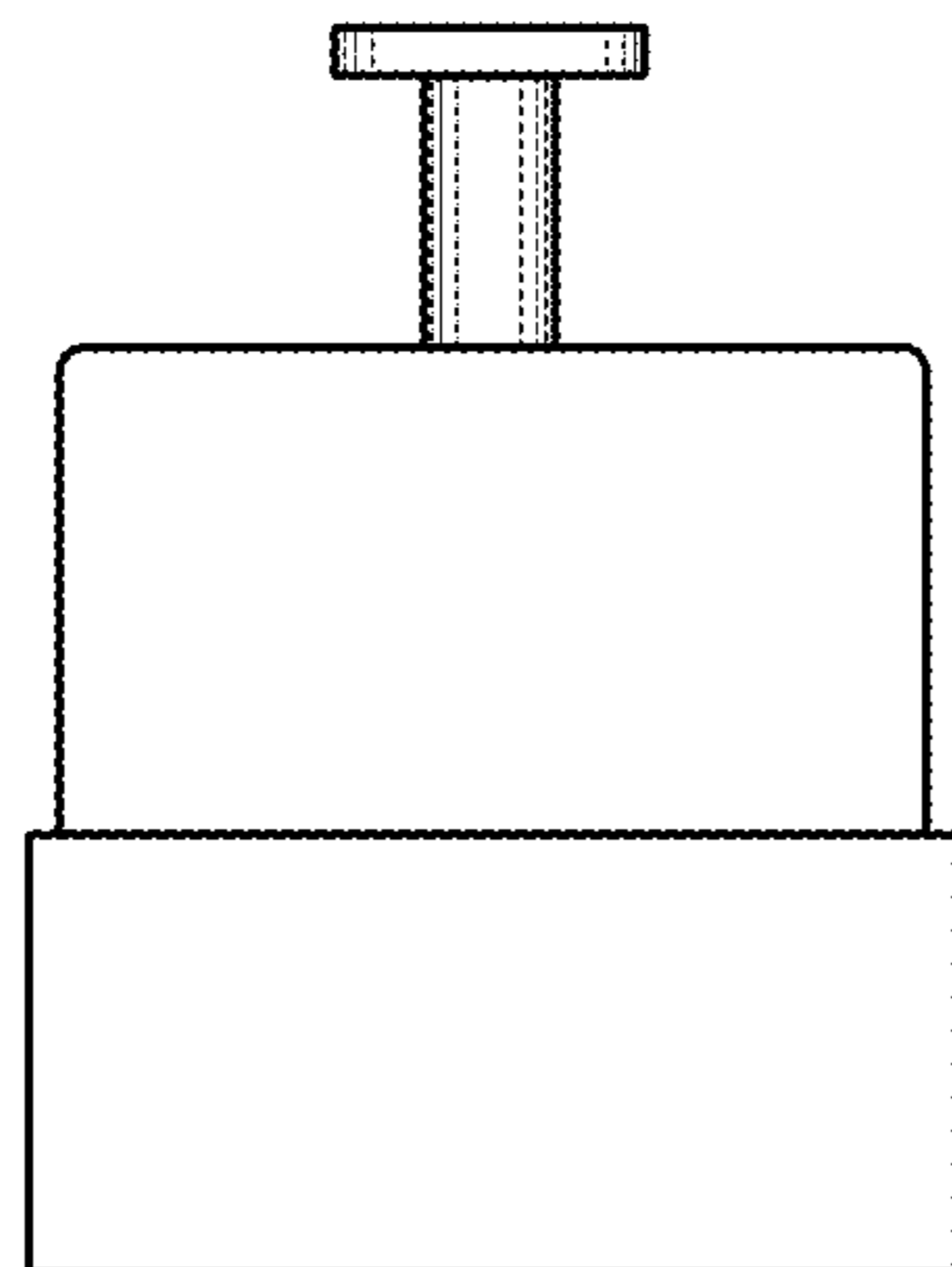


Fig. 2

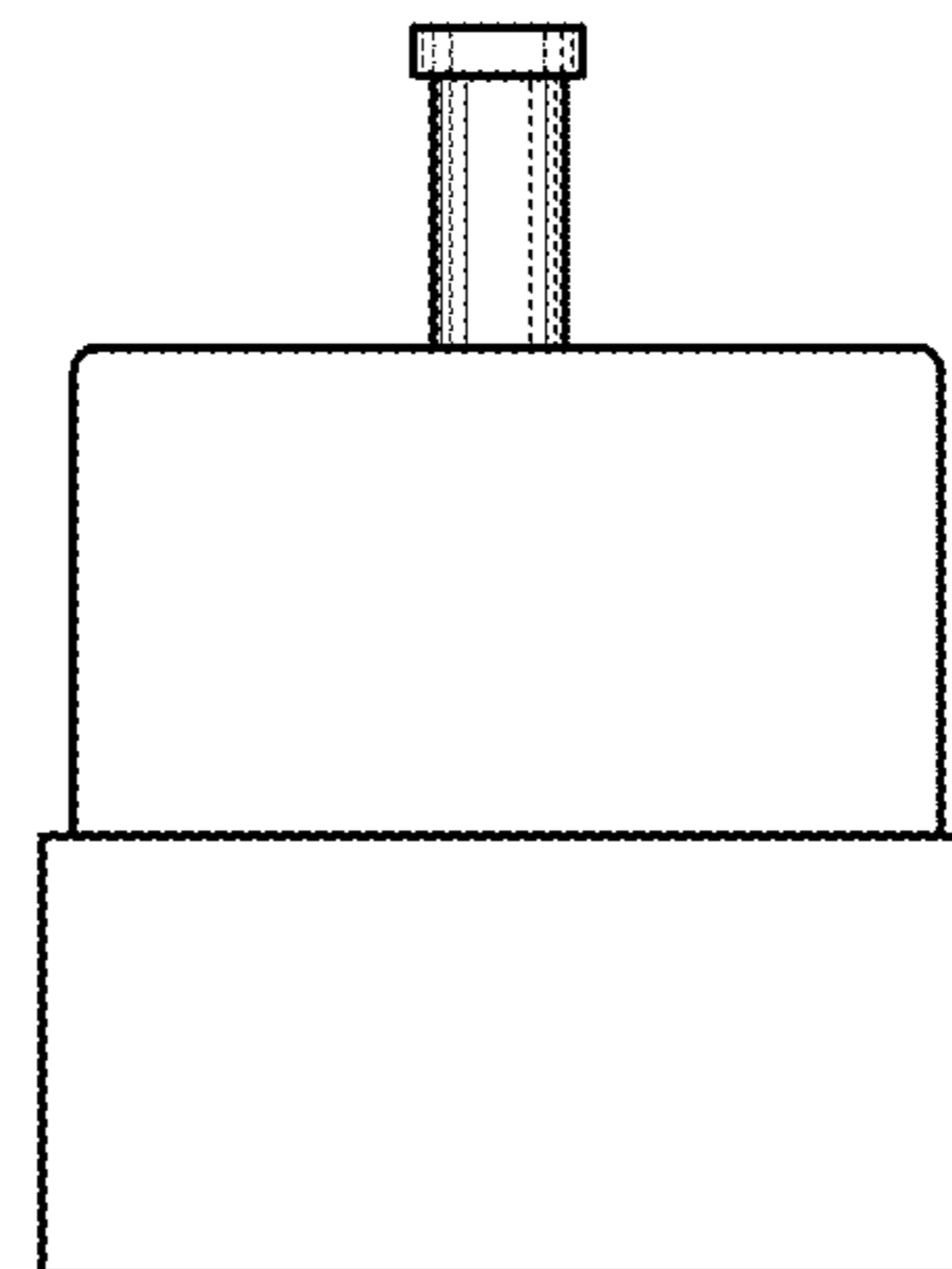


Fig. 3

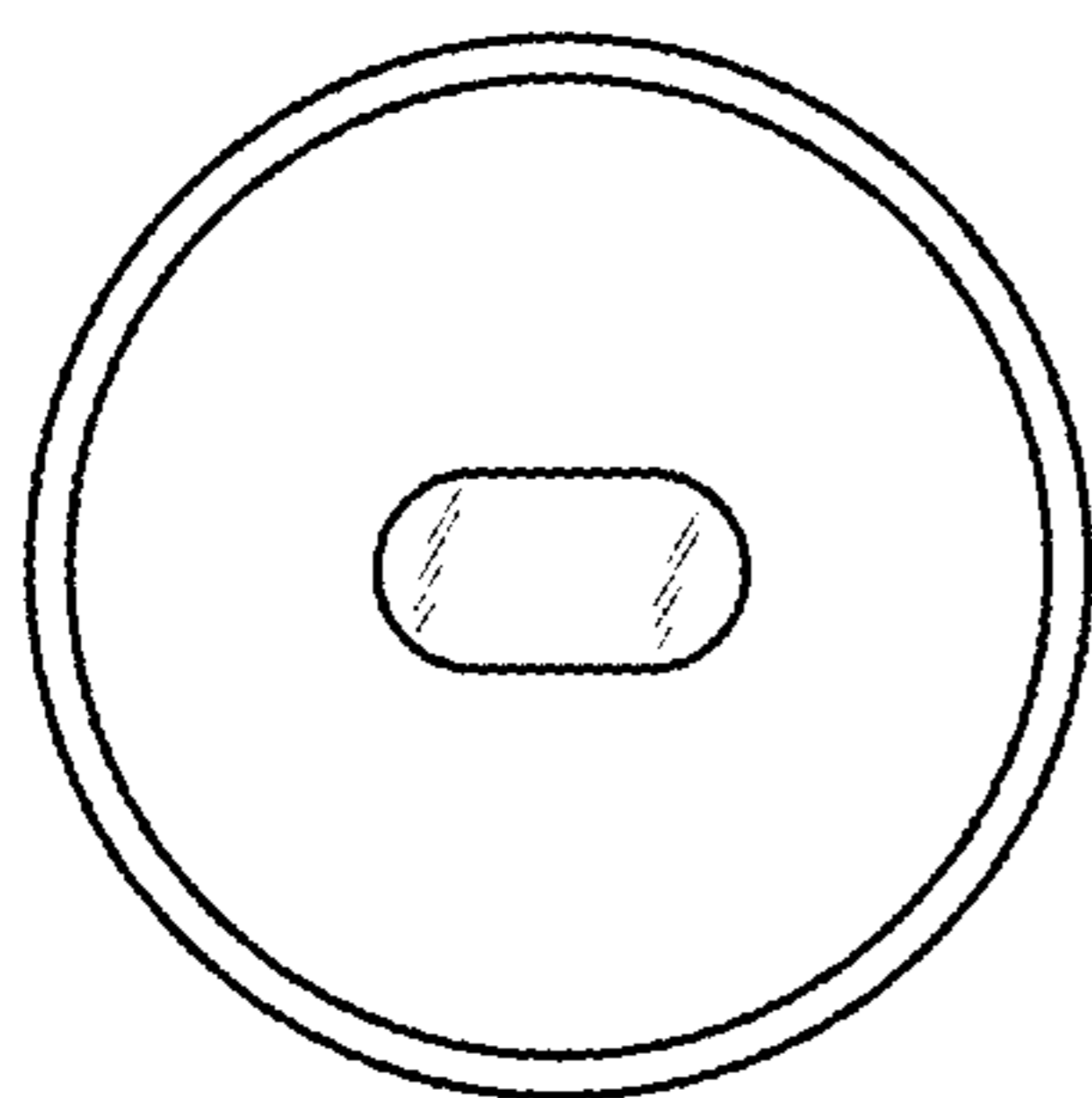


Fig. 4

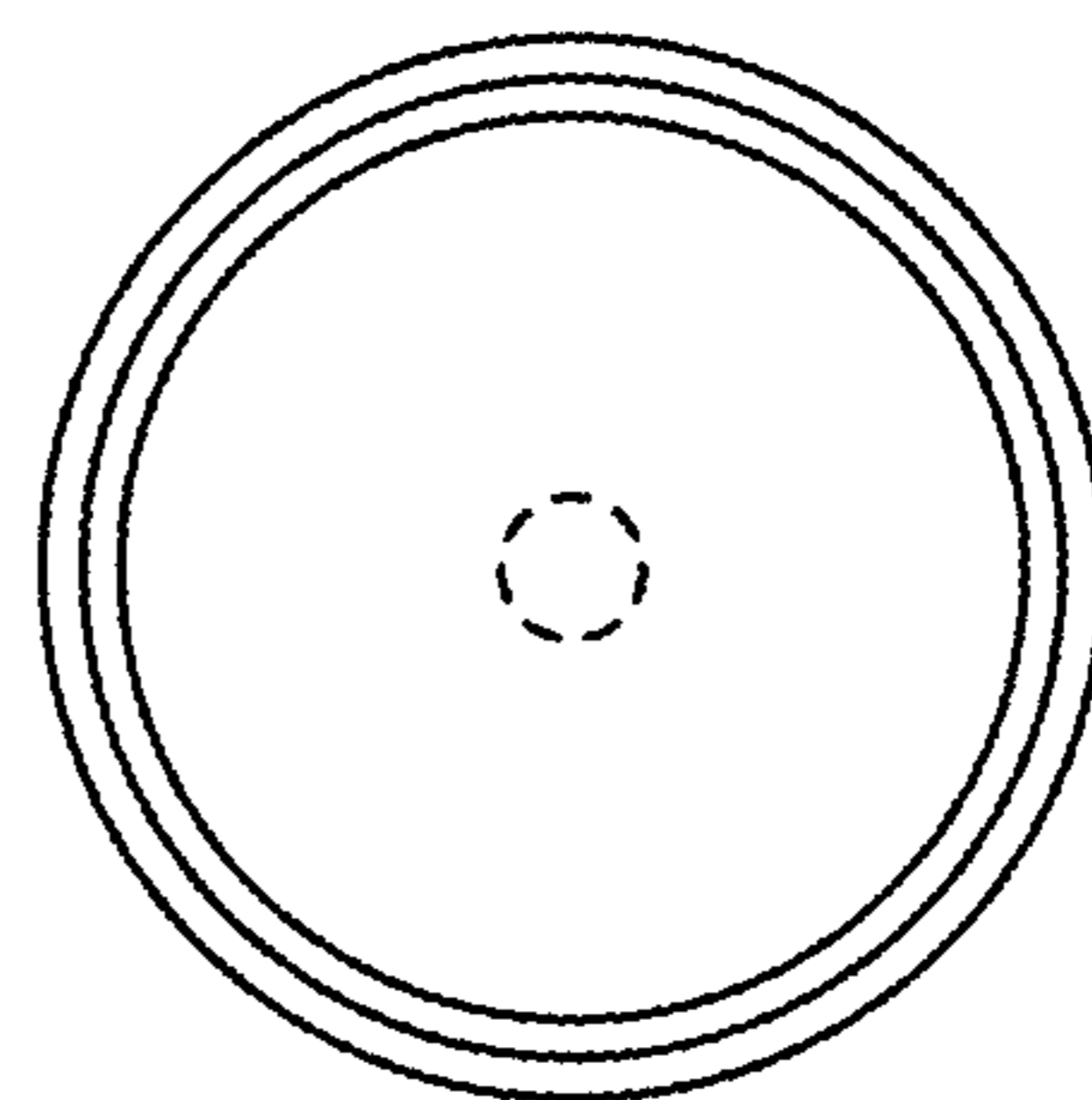


Fig. 5