



US00D803784S

(12) **United States Design Patent** (10) **Patent No.:** **US D803,784 S**  
**Wadhvani** (45) **Date of Patent:** **\*\* Nov. 28, 2017**

(54) **ELECTRIC LAMP SOCKET PIN**  
(71) Applicant: **Dinesh Wadhvani**, Natick, MA (US)  
(72) Inventor: **Dinesh Wadhvani**, Natick, MA (US)  
(\*\*) Term: **15 Years**  
(21) Appl. No.: **29/555,308**  
(22) Filed: **Feb. 19, 2016**  
(51) **LOC (10) Cl.** ..... **13-03**  
(52) **U.S. Cl.**  
USPC ..... **D13/134**  
(58) **Field of Classification Search**  
USPC ..... D13/133, 134, 135, 136, 146, 147, 148,  
D13/153, 154, 184, 199; D26/42, 113,  
D26/123, 124; D8/300, 307, 308, 310,  
D8/346, 349, 350, 352, 353, 368, 369,  
D8/397, 499, 301, 321, 356, 367, 380,  
D8/382, 398; 313/31

See application file for complete search history.

(56) **References Cited**

U.S. PATENT DOCUMENTS

D417,193	S *	11/1999	Itaya .....	D13/136
6,624,554	B2	9/2003	Holzer	
6,869,205	B1	4/2005	Yan	
D506,979	S *	7/2005	Wiskerke .....	D13/134
D514,066	S *	1/2006	Wiskerke .....	D13/134
D546,764	S *	7/2007	Ciancanelli .....	D13/134
D546,765	S *	7/2007	Ciancanelli .....	D13/136
D547,725	S *	7/2007	Ciancanelli .....	D13/134
D553,569	S *	10/2007	Ciancanelli .....	D13/134
D575,234	S *	8/2008	Zayas .....	D13/134
D577,337	S *	9/2008	Zayas .....	D13/134
7,484,980	B2	2/2009	Liao	
D603,085	S *	10/2009	Kovacs .....	D26/113
D603,086	S *	10/2009	Zayas .....	D26/113
D616,822	S *	6/2010	Zayas .....	D13/134
D617,735	S *	6/2010	Kovacs .....	D13/136

7,936,129	B2	5/2011	Gwisdalla et al.	
8,067,895	B1	11/2011	Lee	
D658,585	S *	5/2012	Tucker .....	D13/134
8,206,167	B2	6/2012	Reuter et al.	
8,434,891	B1	5/2013	Ham	
D694,712	S *	12/2013	Aguiar .....	D13/133
D751,238	S *	3/2016	Siuvatti .....	D26/113
2008/0002401	A1	1/2008	Yang	
2009/0156037	A1 *	6/2009	Zayas .....	H01R 13/6275 439/232
2009/0280695	A1 *	11/2009	Sekela .....	F21V 21/002 439/699.2

(Continued)

FOREIGN PATENT DOCUMENTS

CN	201215300	4/2009
CN	101650011	2/2010

(Continued)

*Primary Examiner* — Daniel Bui

(74) *Attorney, Agent, or Firm* — Gary E. Lambert; David J. Connaughton, Jr.; Lambert & Associates

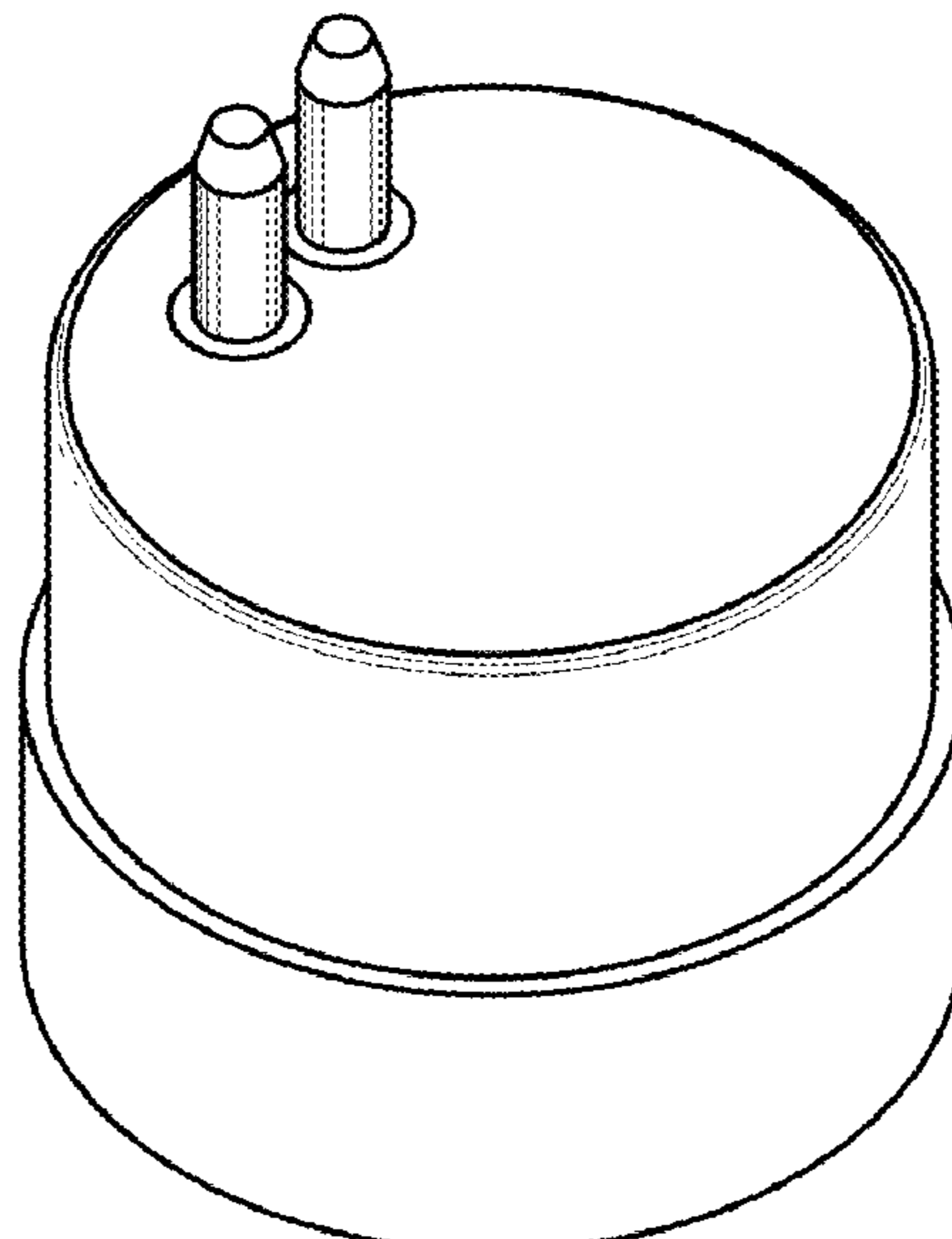
(57) **CLAIM**

The ornamental design for an electric lamp socket pin, as shown and described.

**DESCRIPTION**

FIG. 1 is a top perspective view of an electric lamp socket pin showing my new design; FIG. 2 is a side elevation view thereof; FIG. 3 is another side elevation view thereof; FIG. 4 is a top plan view thereof; and, FIG. 5 is a bottom plan view thereof. The broken lines in the drawing views represent unclaimed portions of the electric lamp socket pin, which are shown for illustration purposes only and form no part of the claimed design.

**1 Claim, 1 Drawing Sheet**



(56)

**References Cited**

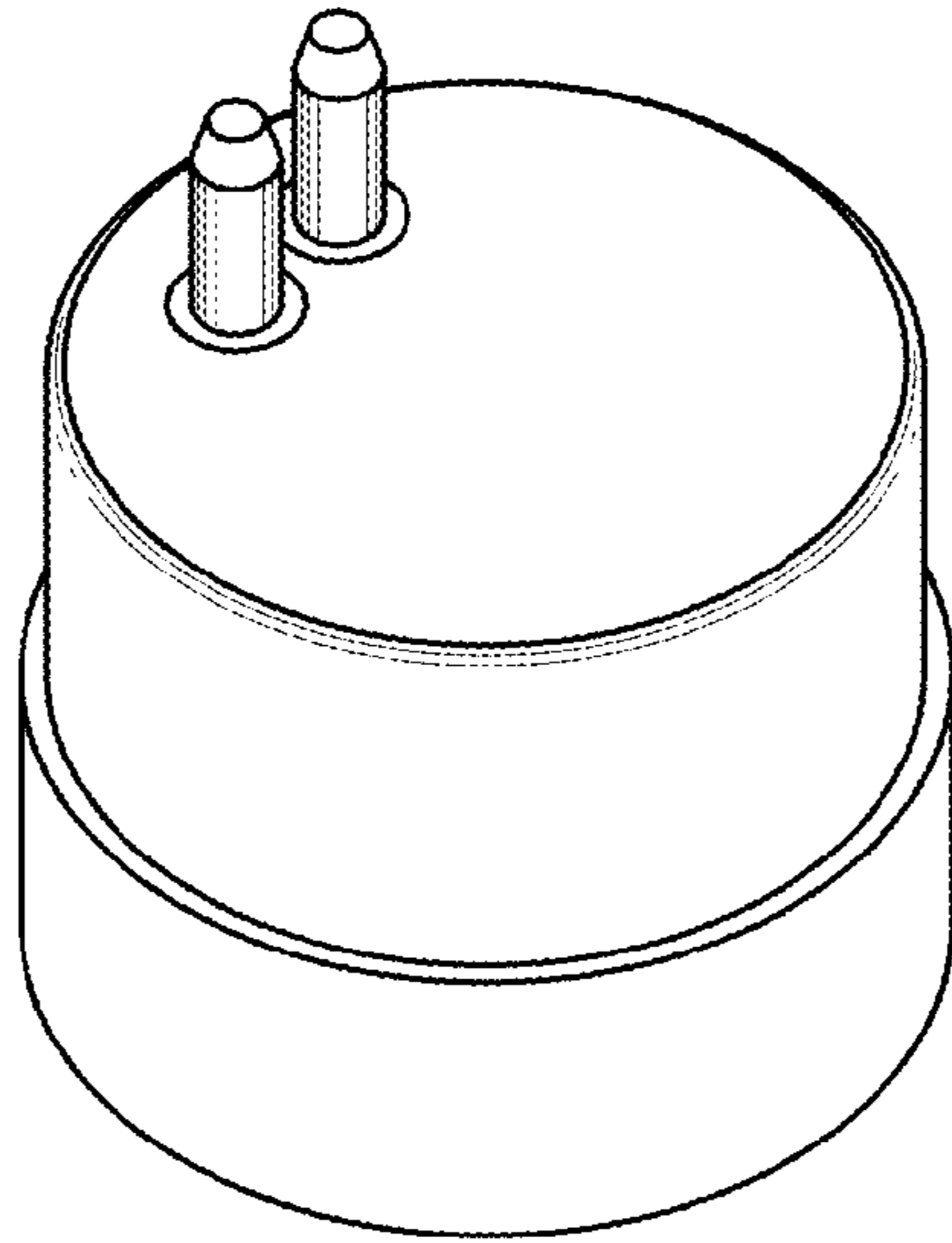
U.S. PATENT DOCUMENTS

2010/0002439 A1\* 1/2010 Lin ..... F21K 9/00  
362/249.04  
2011/0021051 A1\* 1/2011 Larocque ..... F21V 19/0085  
439/236  
2011/0081806 A1 4/2011 Lin  
2013/0063944 A1\* 3/2013 Lodhie ..... F21K 9/17  
362/249.02  
2013/0094203 A1 4/2013 Mangiaracina  
2014/0022776 A1\* 1/2014 Su ..... F21K 9/175  
362/218  
2014/0071668 A1\* 3/2014 Al ..... F21K 9/17  
362/219  
2015/0200490 A1\* 7/2015 Elia ..... F21S 8/08  
362/414

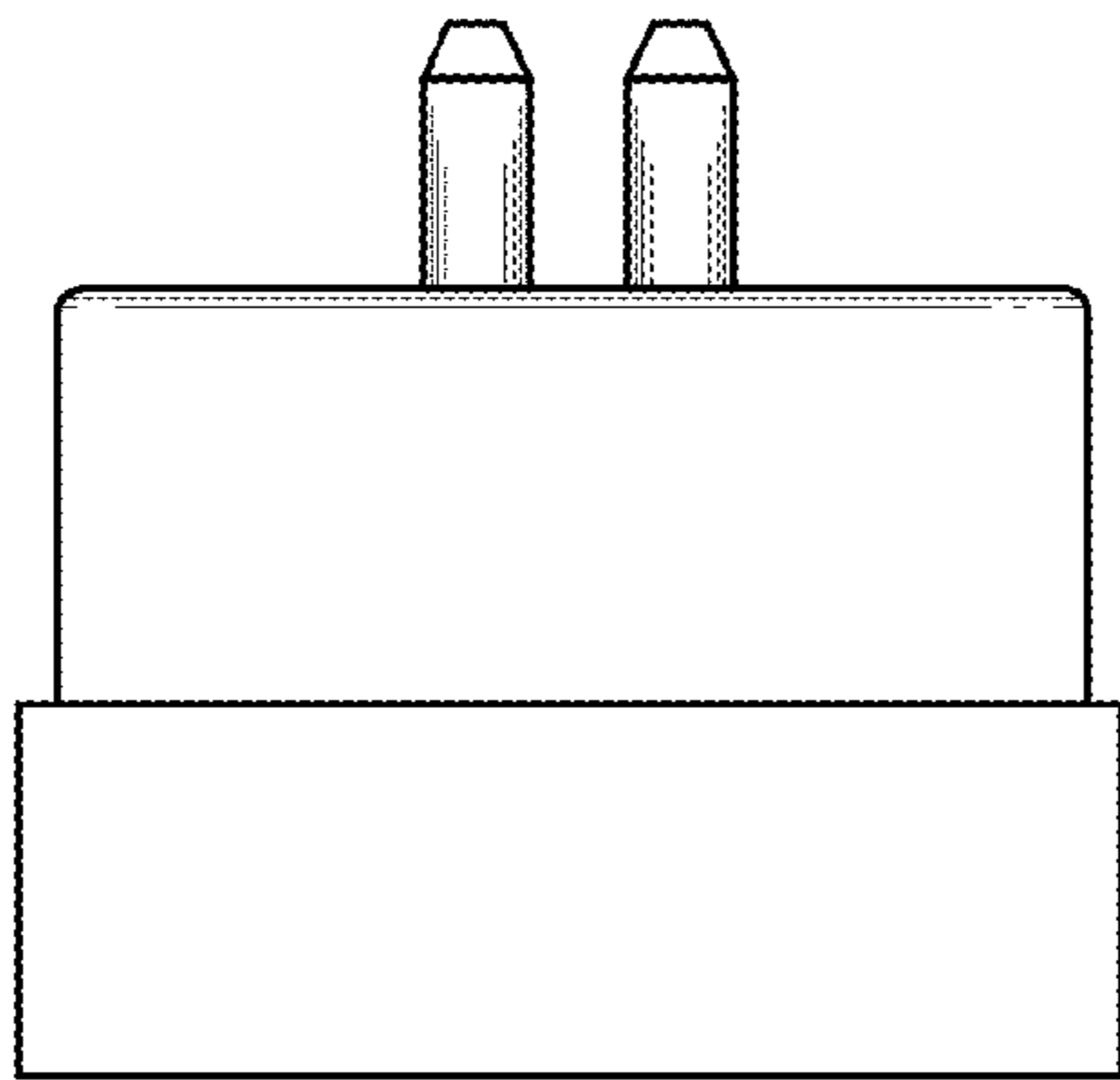
FOREIGN PATENT DOCUMENTS

CN 201462731 5/2010  
CN 201513849 6/2010  
CN 201986249 9/2011  
CN 202546638 11/2012  
CN 204481241 7/2015  
EP 2 453 532 5/2012  
WO 2009104201 8/2009

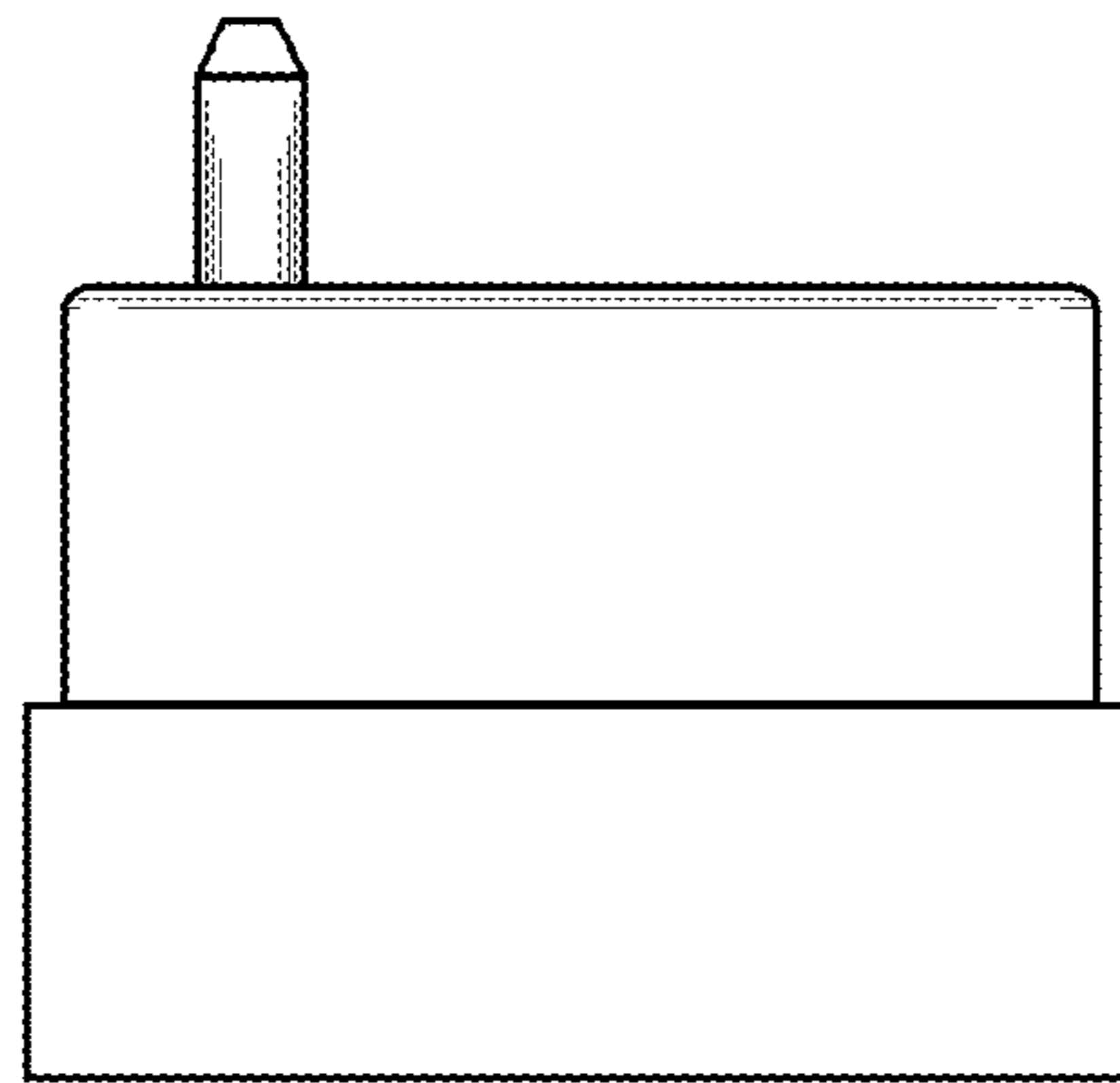
\* cited by examiner



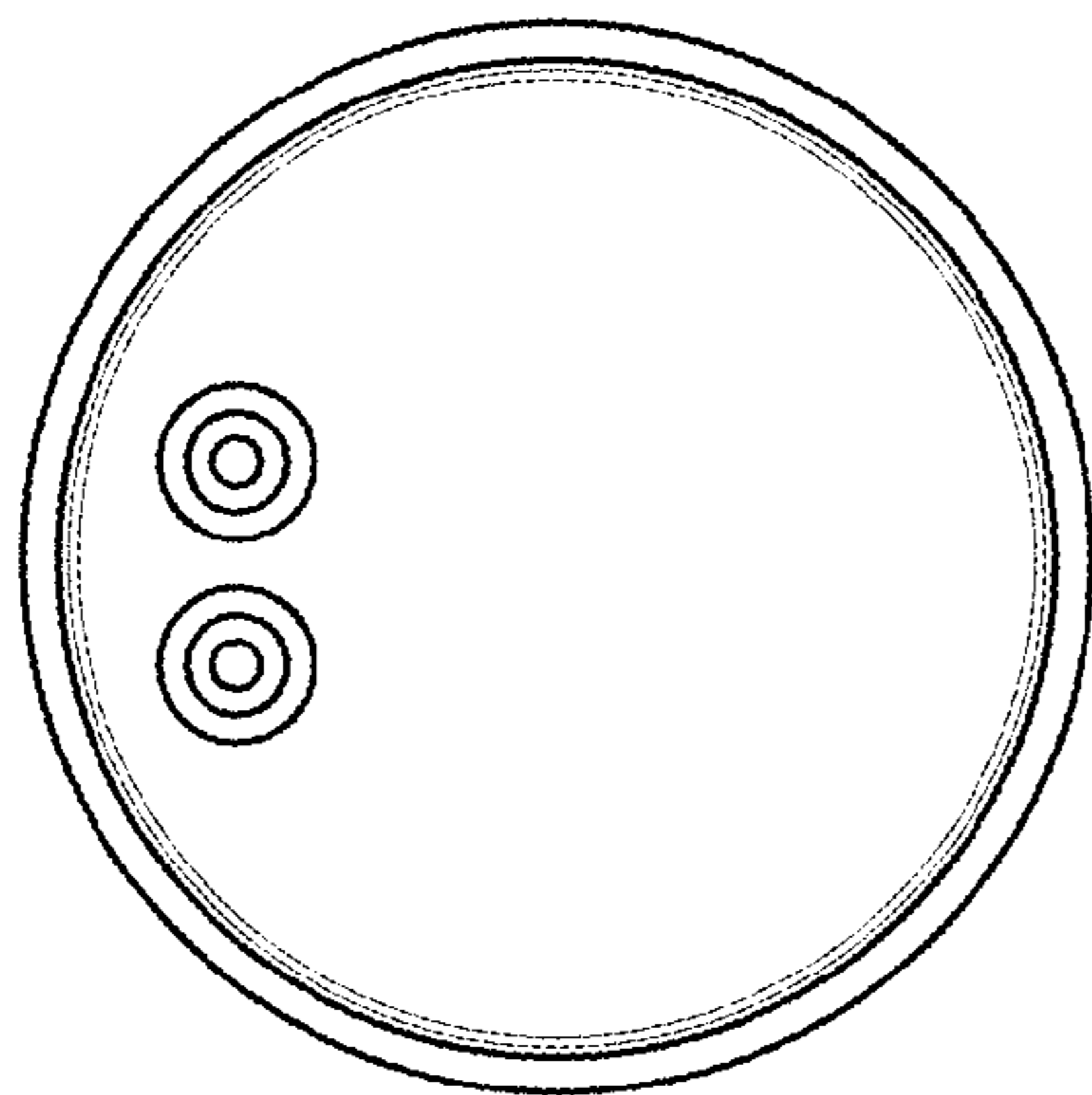
*Fig. 1*



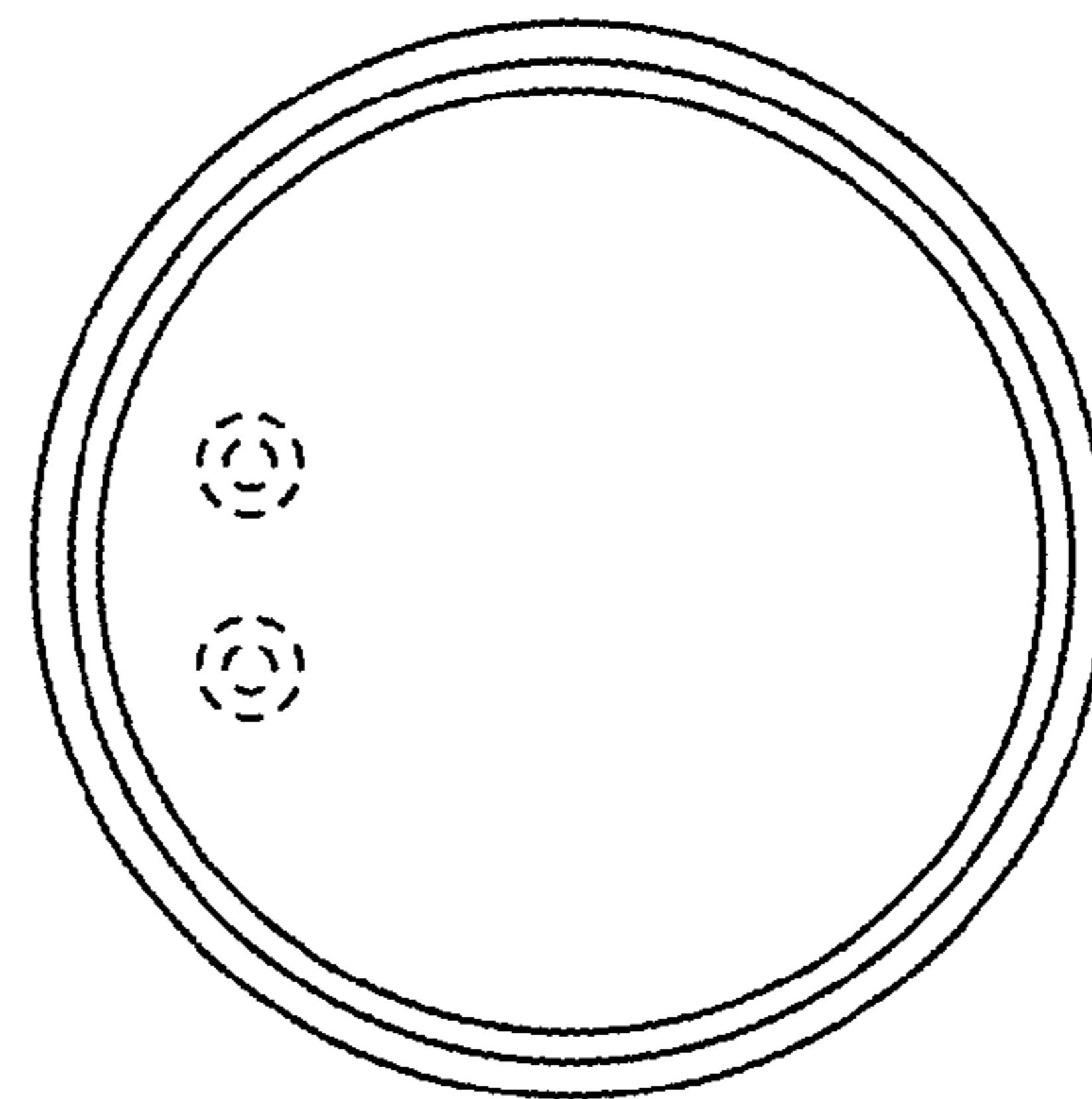
*Fig. 2*



*Fig. 3*



*Fig. 4*



*Fig. 5*