



US00D803783S

(12) **United States Design Patent**  
**Alberti et al.**

(10) **Patent No.:** **US D803,783 S**

(45) **Date of Patent:** **\*\* Nov. 28, 2017**

(54) **LIGHT TOWER**

(71) Applicant: **Wacker Neuson Production Americas LLC**, Menomonee Falls, WI (US)

(72) Inventors: **Jason Alberti**, Pewaukee, WI (US);  
**Scott Grahl**, Campbellsport, WI (US);  
**Dan Schlepp**, Sussex, WI (US); **Gerald Krenn**, Linz (AT)

(73) Assignee: **Wacker Neuson Production Americas LLC**, Menomonee Falls, WI (US)

(\*\*) Term: **15 Years**

(21) Appl. No.: **29/570,811**

(22) Filed: **Jul. 12, 2016**

(51) **LOC (10) Cl.** ..... **13-02**

(52) **U.S. Cl.**  
USPC ..... **D13/122; D26/140**

(58) **Field of Classification Search**  
USPC ..... D13/122; D26/140; 362/485, 89, 234,  
362/184, 311.08, 192

CPC ..... H05B 37/0227

See application file for complete search history.

(56) **References Cited**

**U.S. PATENT DOCUMENTS**

D382,853 S \* 8/1997 Crawford ..... D13/112  
5,806,963 A \* 9/1998 Miller ..... E01F 9/662  
362/192

D399,595 S \* 10/1998 Miller ..... D26/140  
D416,858 S \* 11/1999 Domanski ..... D13/114  
6,805,462 B1 \* 10/2004 Smith ..... B60P 3/14  
362/192

D622,662 S 8/2010 Sartler et al.  
9,039,231 B1 \* 5/2015 Barker ..... F21L 13/00  
362/183

2013/0301253 A1 \* 11/2013 Drever ..... F21L 4/02  
362/184

**OTHER PUBLICATIONS**

LTV Light Towers posted by Wacker Neuson posted date Dec. 8, 2016, © YouTube, [online], [site visited Aug. 17, 2017]. Available from Internet, [https://www.youtube.com/watch?v=zoNPW\\_xMhFU](https://www.youtube.com/watch?v=zoNPW_xMhFU).\*

Light Towers Rental posted by Chris Crowell posted date Feb. 12, 2016, © Compact Equipment, [online], [site visited Aug. 17, 2017]. Available from Internet, <http://compactequip.com/light-towers/can-i-borrow-a-light-advice-for-light-tower-rental/>.\*

Wacker Neuson, Light Towers—Narrow Body, Jul. 7, 2016. pp. 1-3.

\* cited by examiner

*Primary Examiner* — Cynthia Ramirez

*Assistant Examiner* — Laura Yu

(57) **CLAIM**

The ornamental design for a light tower, as shown and described.

**DESCRIPTION**

FIG. 1 is an isometric view of a light tower incorporating our new design, viewed from above, in front of, and from the left side of the light tower;

FIG. 2 is an isometric view of the light tower incorporating our new design, viewed from above, behind, and from the left side of the light tower;

FIG. 3 is a front end elevation view thereof;

FIG. 4 is a rear end elevation view thereof;

FIG. 5 is left side elevation view thereof;

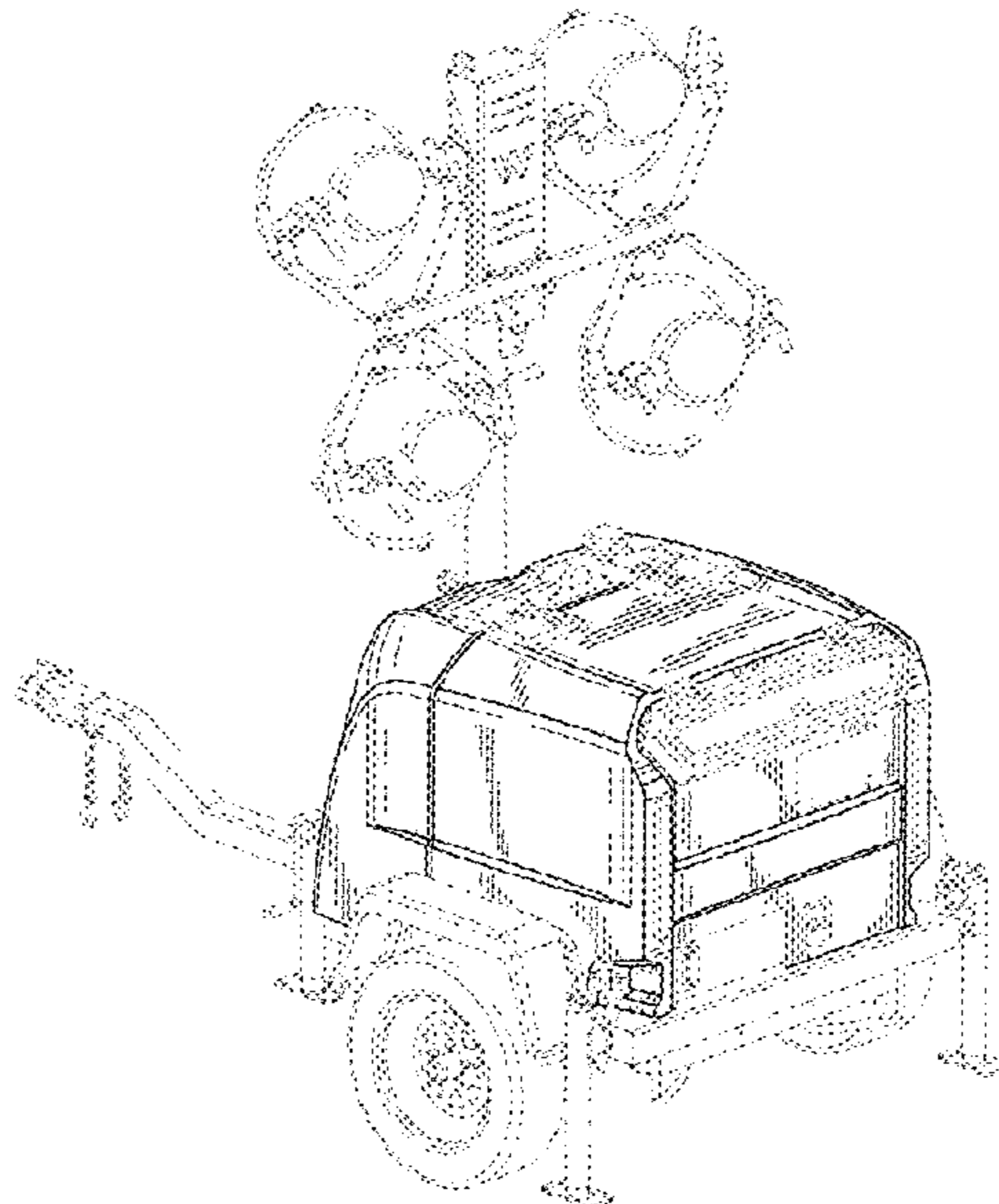
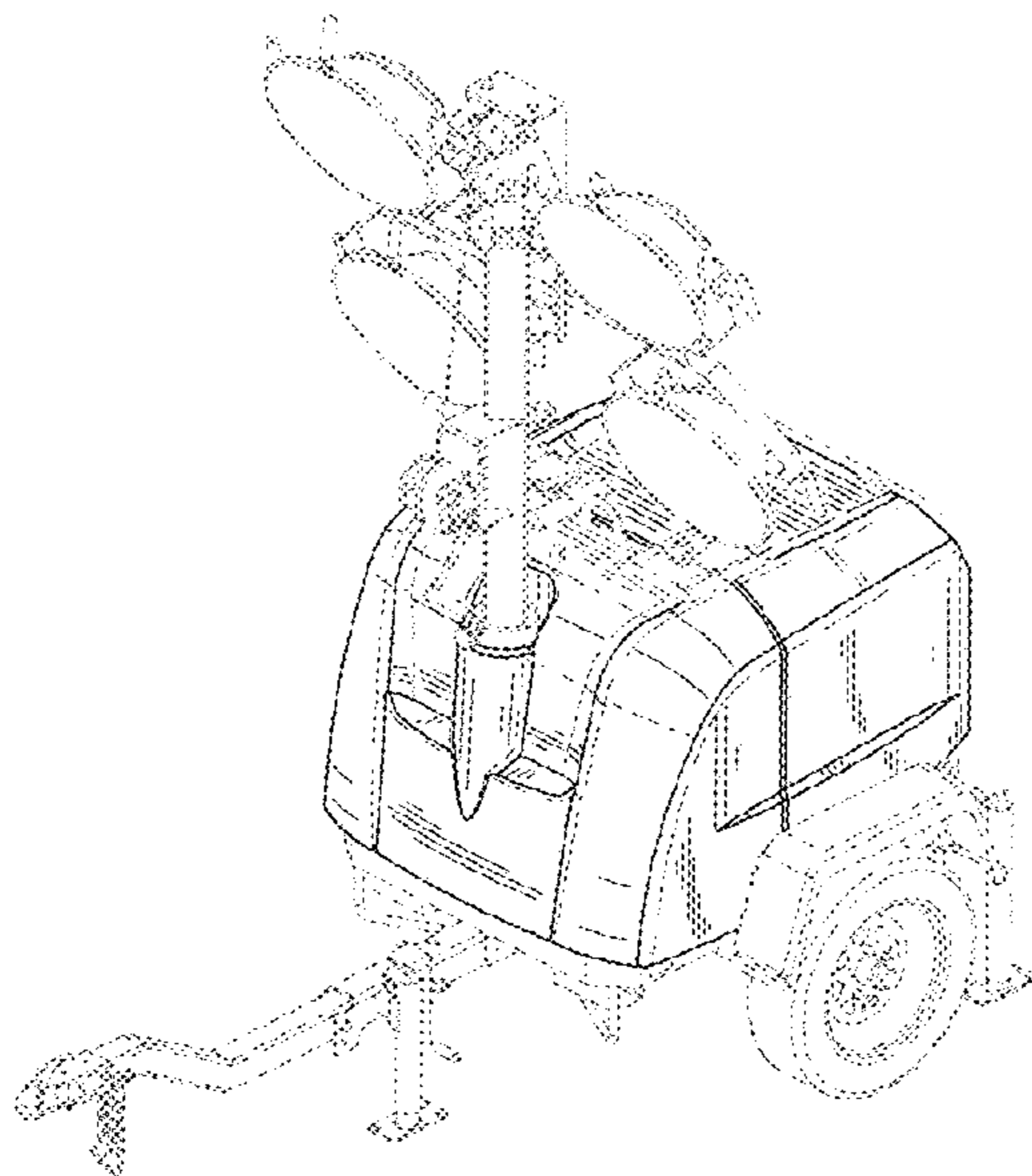
FIG. 6 is a right side elevation view thereof;

FIG. 7 is a top plan view thereof; and,

FIG. 8 is a bottom plan view thereof.

The broken lines in the drawings show environmental structures and form no part of the claimed design.

**1 Claim, 8 Drawing Sheets**



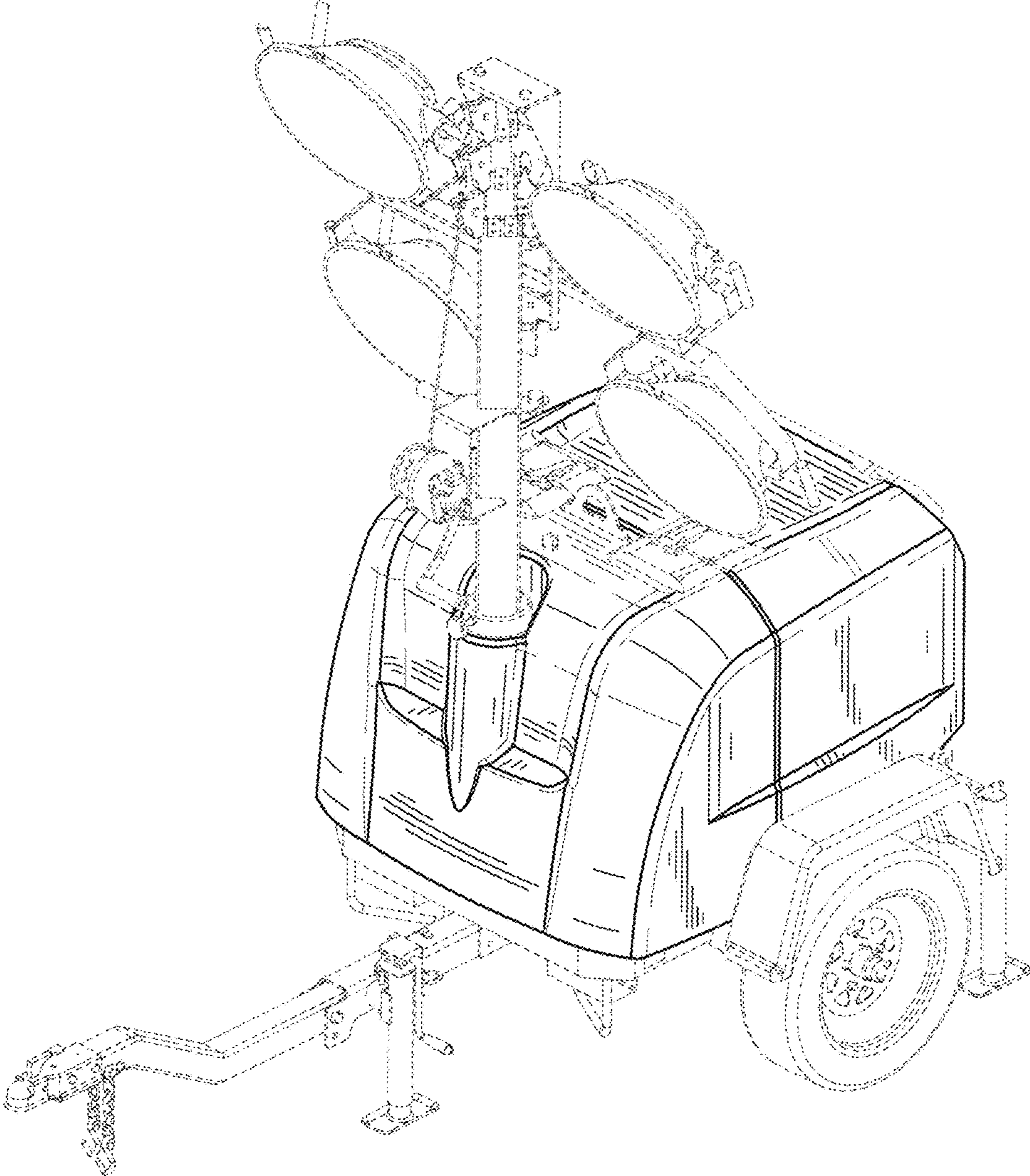


FIG. 1

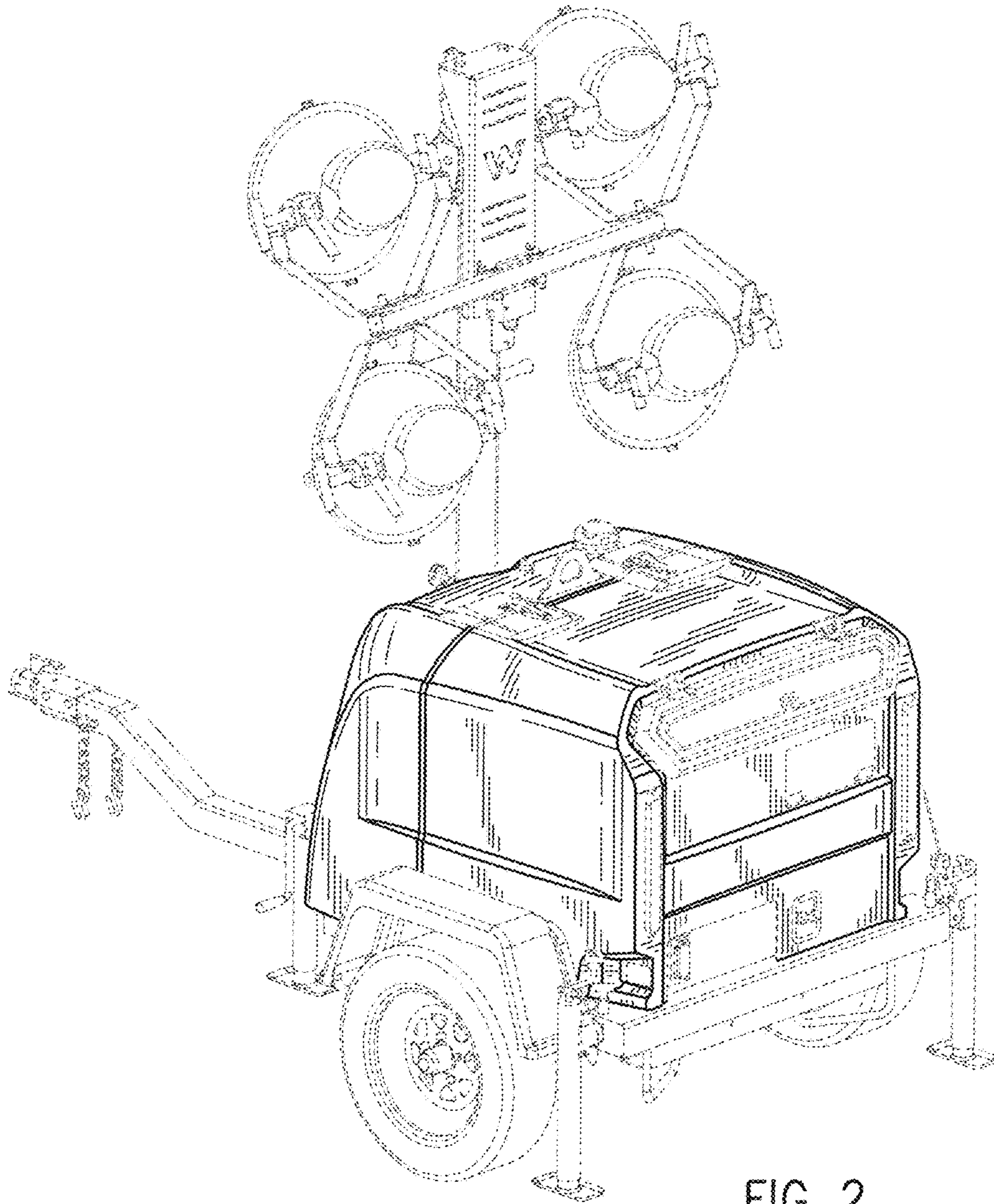


FIG. 2

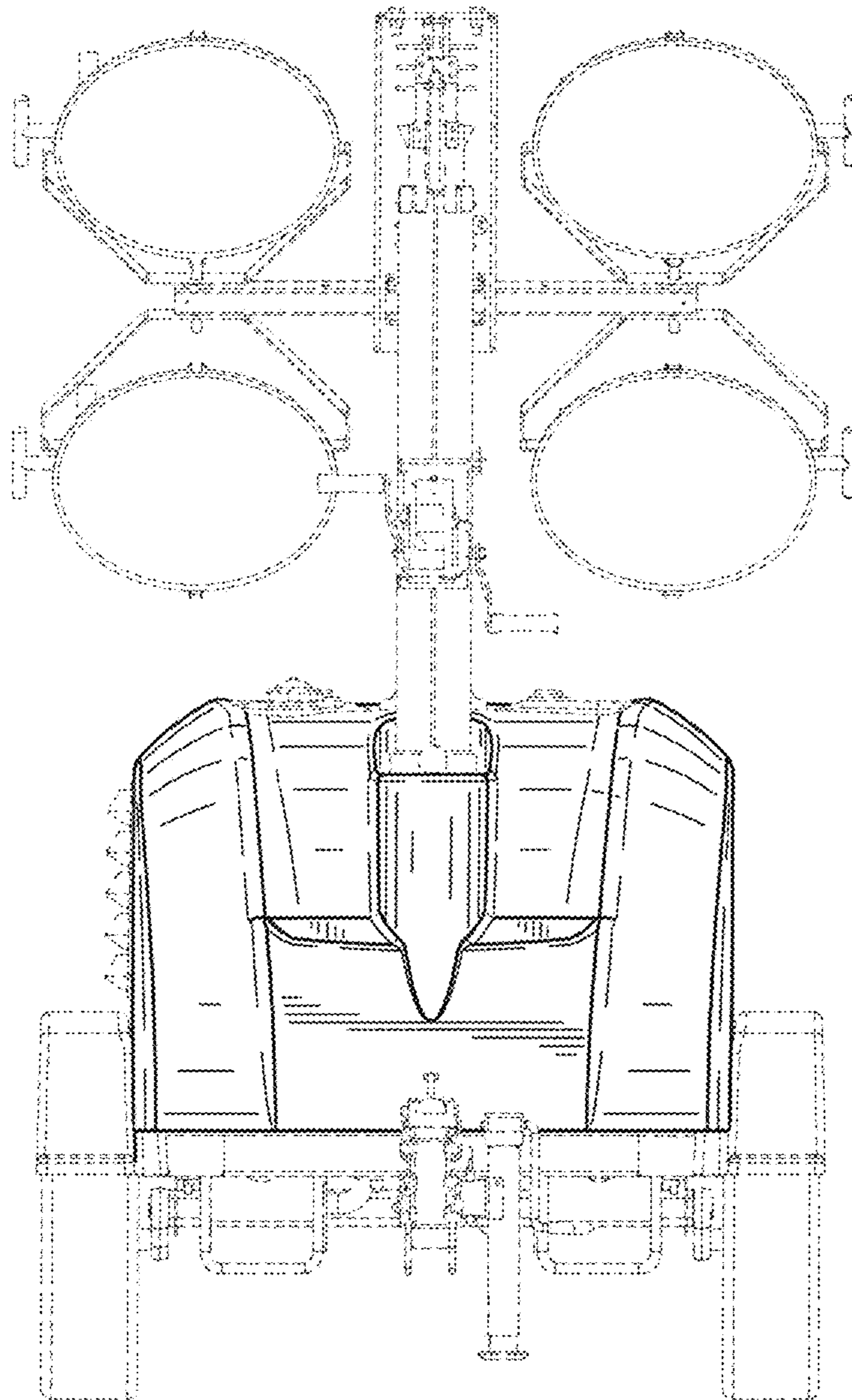


FIG. 3

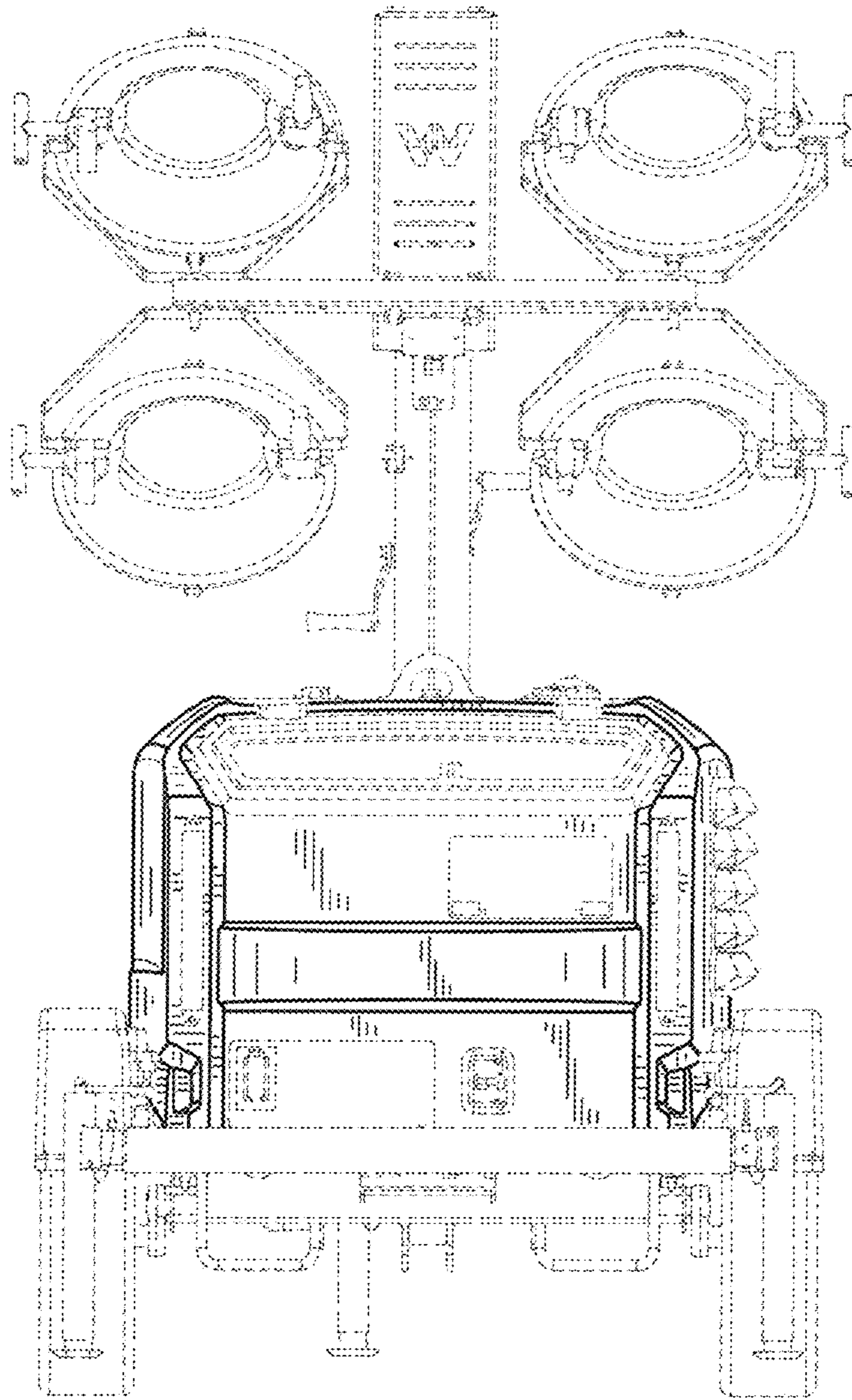
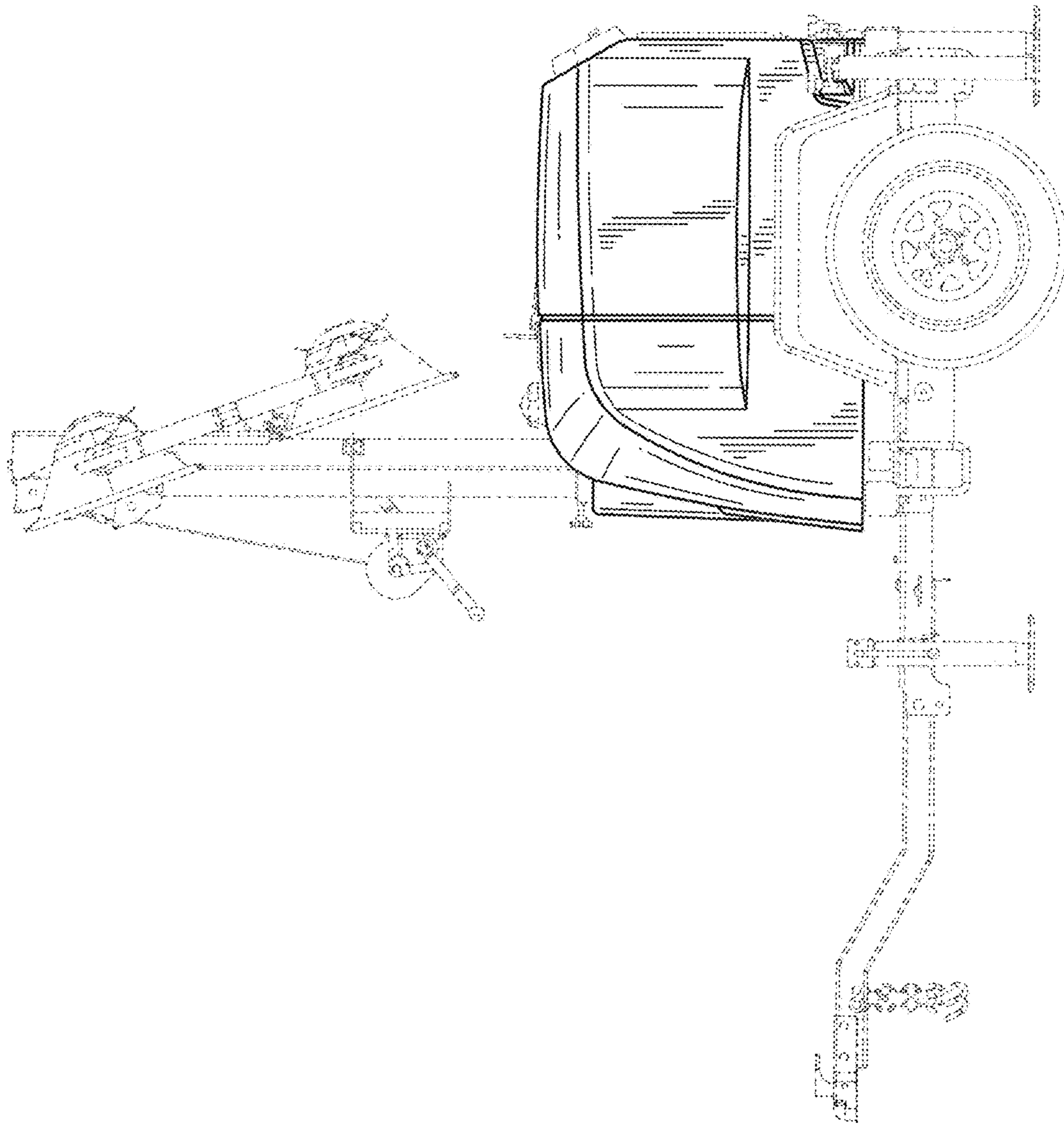


FIG. 4



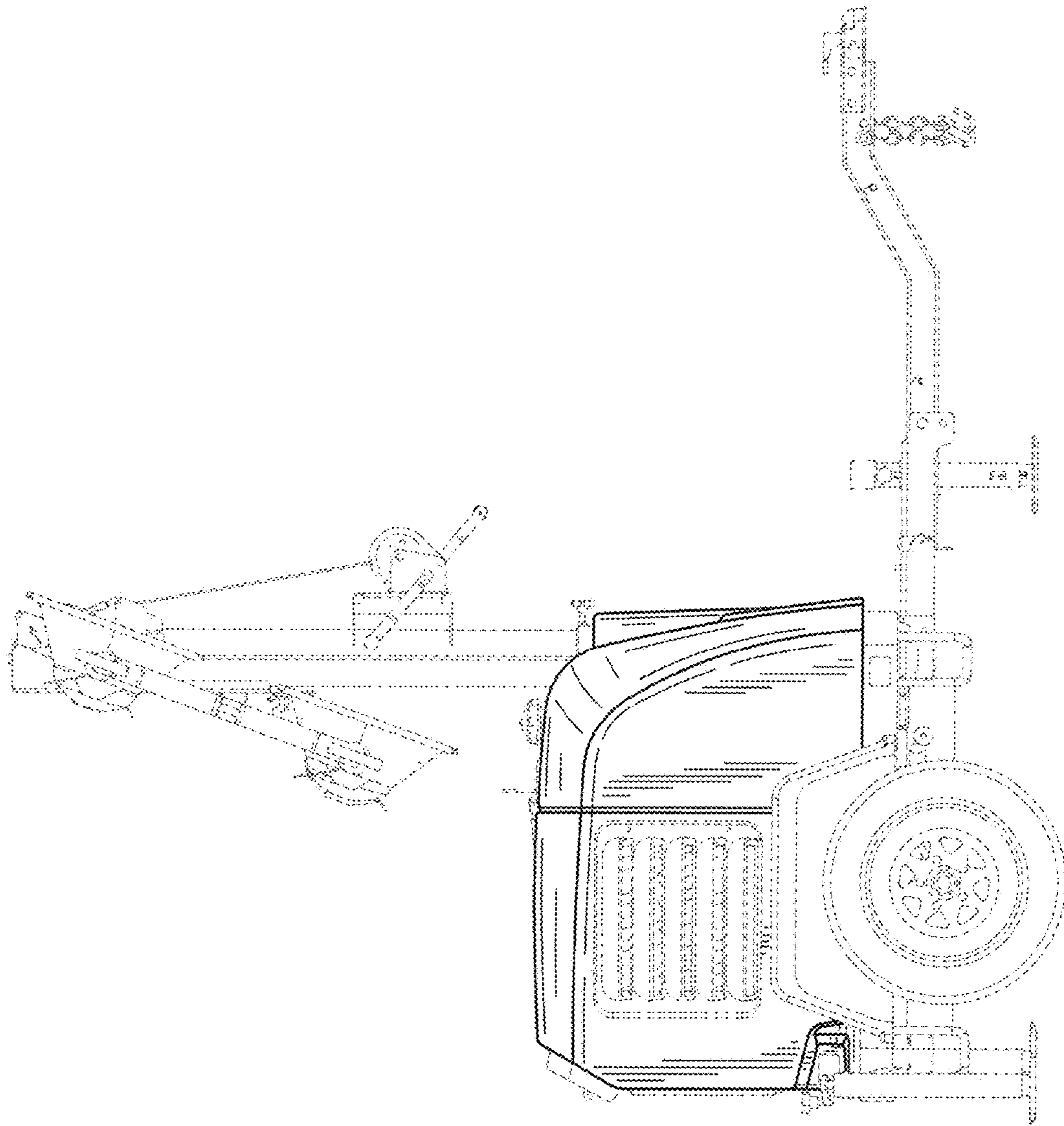


FIG. 6

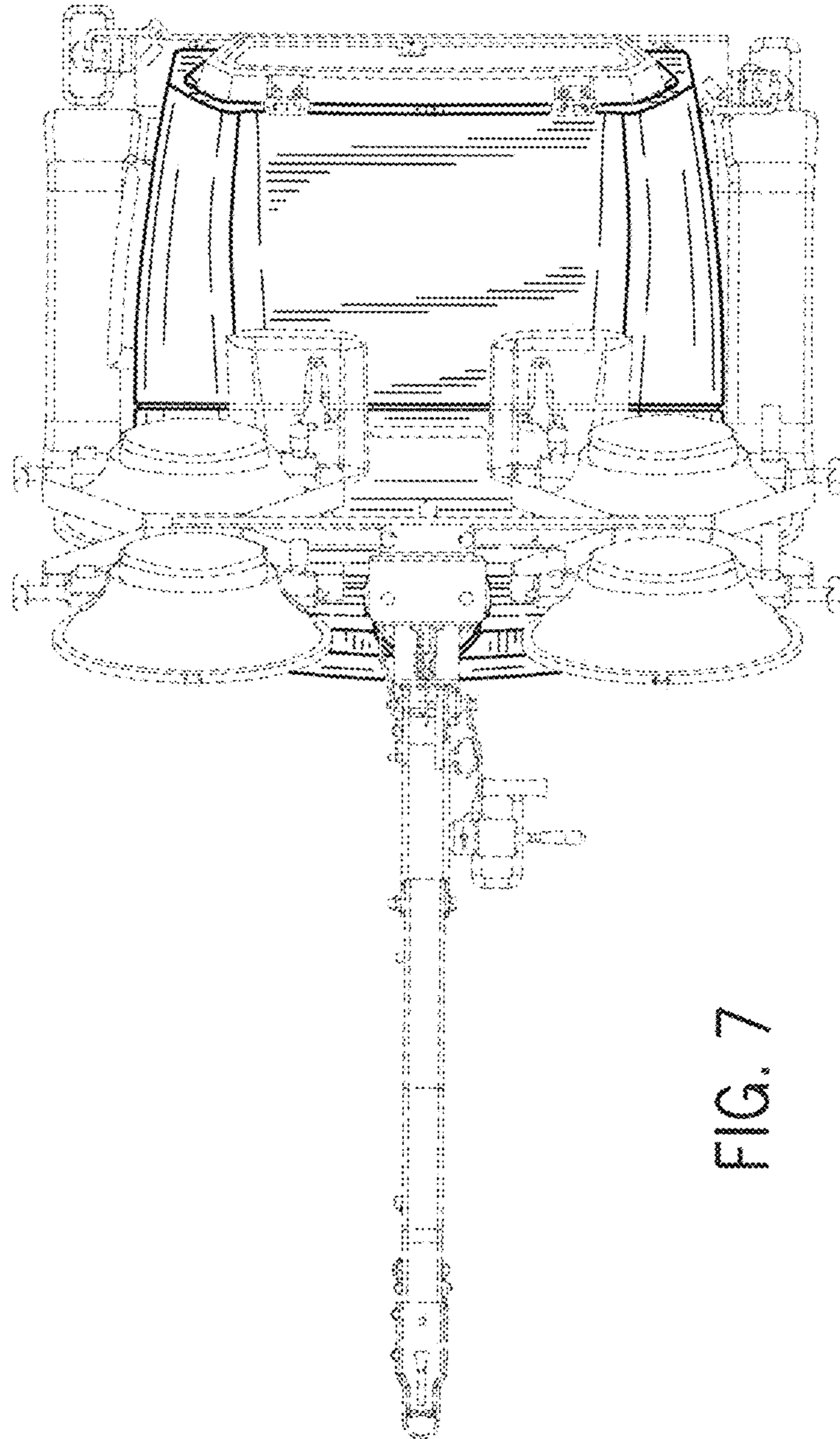


FIG. 7



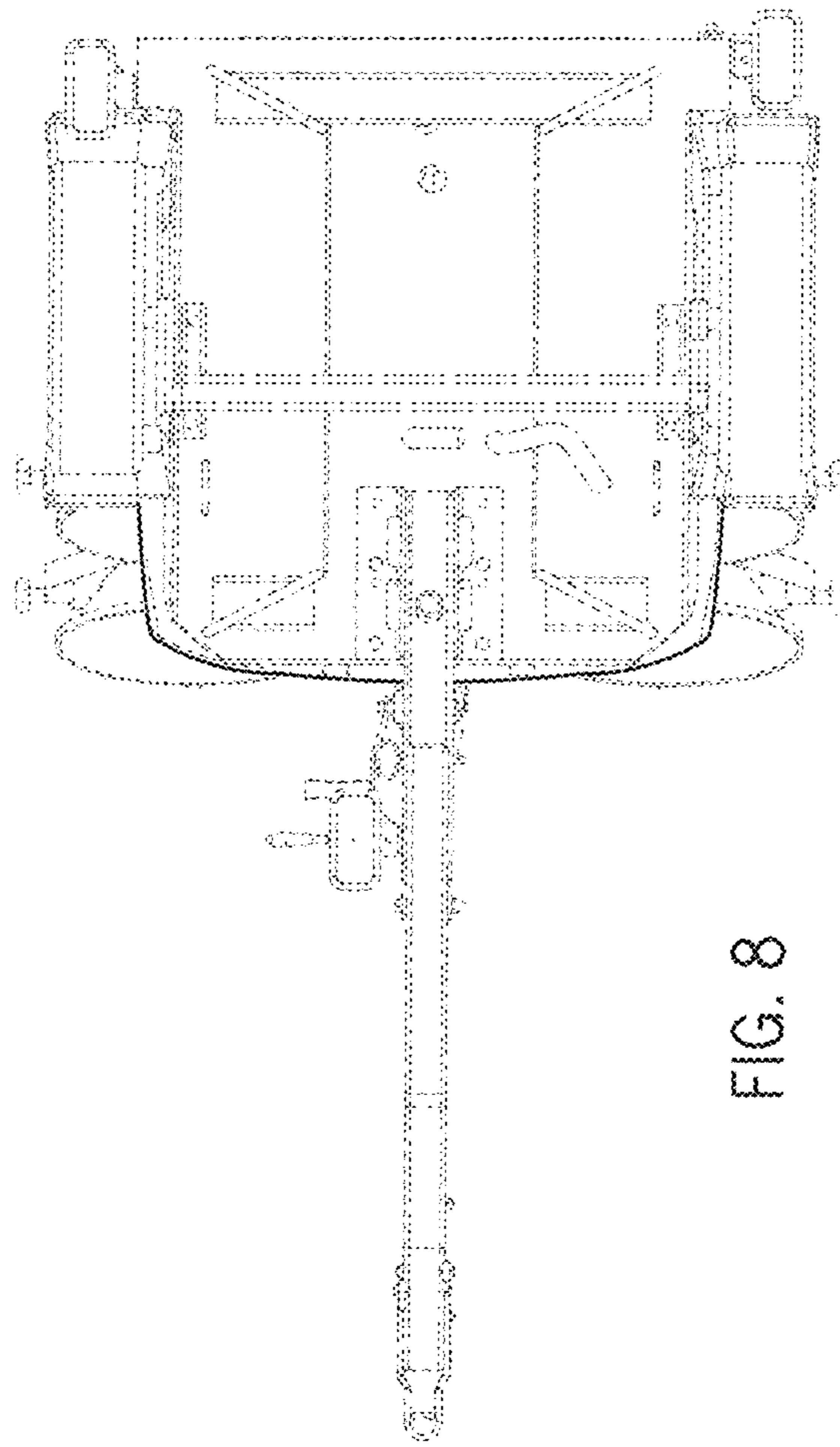


FIG. 8