

US00D803782S

(12) **United States Design Patent**
Fujii

(10) **Patent No.:** **US D803,782 S**

(45) **Date of Patent:** **** Nov. 28, 2017**

(54) **WIND POWER GENERATOR**

(71) Applicant: **TERAL INC.**, Fukuyama-shi,
Hiroshima (JP)

(72) Inventor: **Takeo Fujii**, Fukuyama (JP)

(73) Assignee: **TERAL INC.**, Fukuyama-shi,
Hiroshima (JP)

(**) Term: **15 Years**

(21) Appl. No.: **29/554,171**

(22) Filed: **Feb. 9, 2016**

(30) **Foreign Application Priority Data**

Aug. 11, 2015 (JP) 2015-017843

(51) **LOC (10) Cl.** **13-01**

(52) **U.S. Cl.**
USPC **D13/115**

(58) **Field of Classification Search**

USPC D13/115, 101, 122, 184, 199; D15/1,
D15/199; 290/54, 55; 415/4.2, 41, 907;
416/23, 24, 31, 37, 38, 51, 132 B, 132 R,
416/142, 143, 151, 176, 183, 196 A,
416/197 A; D23/355, 370, 375, 376, 377,
D23/378, 379, 382

CPC F03D 1/00; F03D 1/04; F03D 1/06; F03D
1/025; F03D 1/0608; F03D 1/0625; F03D
1/0633; F03D 1/0641; F03D 3/02; F03D
3/005; F03D 3/061; F03D 3/0409; F03D
7/0224; F03D 7/04; F03D 7/06; F03D
7/0204; B63H 1/06; Y02E 10/72; Y02E
10/74; Y02E 10/721; Y02E 10/723; Y02E
10/725; F03B 13/264; F28C 1/00

See application file for complete search history.

(56) **References Cited**

U.S. PATENT DOCUMENTS

3,222,533 A * 12/1965 MacKay F03D 1/00
290/55

6,201,315 B1 * 3/2001 Larsson F01D 5/225
290/55

D487,060 S * 2/2004 Ehrenberger D13/115

D560,160 S * 1/2008 Martinez D13/115

8,178,987 B2 * 5/2012 Mahawili H02K 7/1869
290/44

8,257,019 B2 * 9/2012 Cironi F03D 1/04
415/126

(Continued)

FOREIGN PATENT DOCUMENTS

EM 001415244-0004 9/2014

JP 1195196 S 1/2004

KR 30-0538404 9/2009

Primary Examiner — Derrick Holland

(74) *Attorney, Agent, or Firm* — Kenja IP Law PC

(57) **CLAIM**

The ornamental design for a wind power generator, as shown and described.

DESCRIPTION

FIG. 1 is a front perspective view of a wind power generator showing my new design;

FIG. 2 is a rear perspective view thereof;

FIG. 3 is a front view thereof;

FIG. 4 is a top plan view thereof;

FIG. 5 is a right side view thereof;

FIG. 6 is a left side view thereof;

FIG. 7 is a rear view thereof;

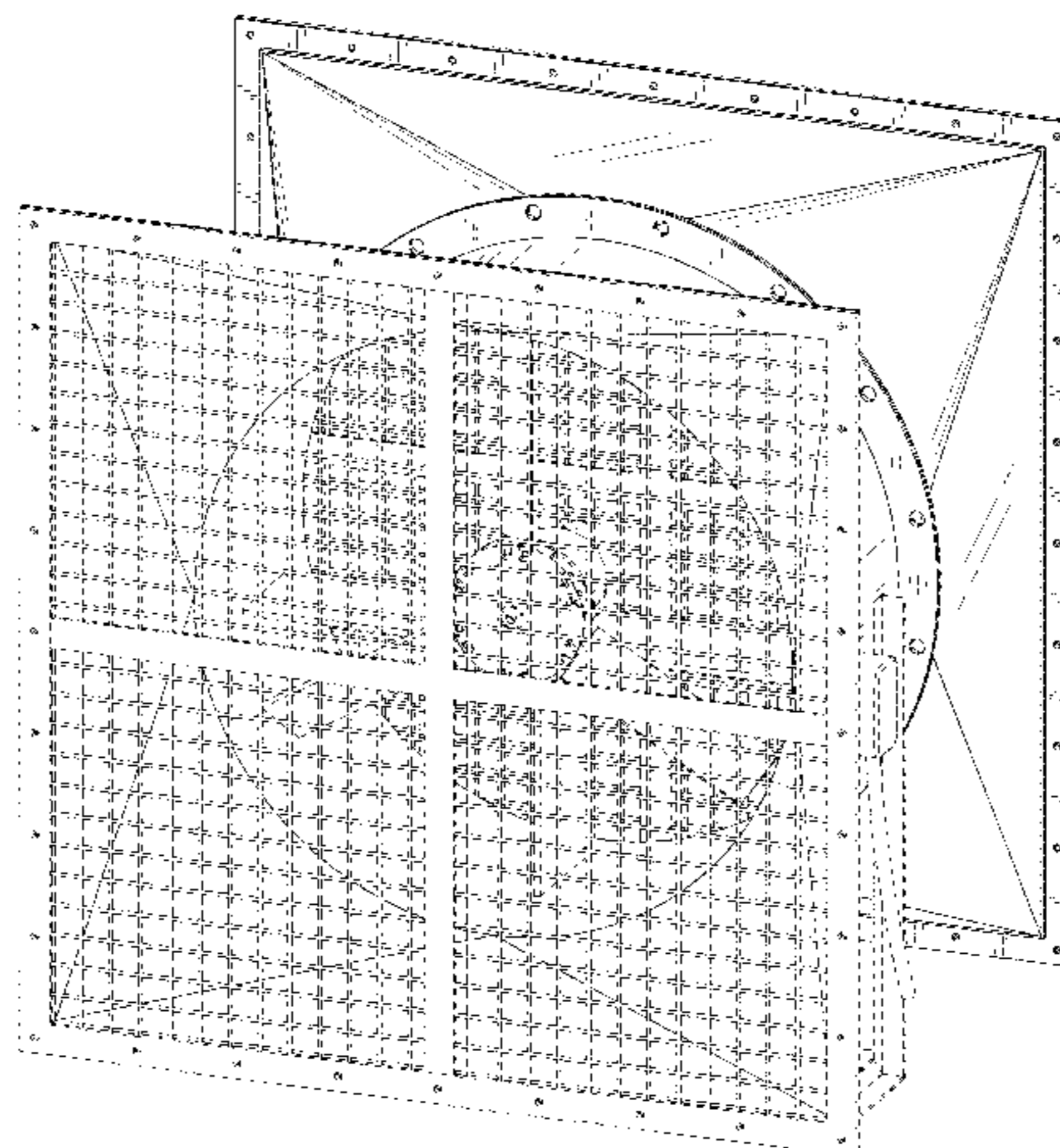
FIG. 8 is a bottom plan view thereof;

FIG. 9 is a front perspective view thereof, with the fan guards removed for ease of illustration; and,

FIG. 10 is a rear perspective view thereof, with the fan guards removed for ease of illustration.

The broken lines shown represent unclaimed subject matter and form no part of the claimed design.

1 Claim, 10 Drawing Sheets



(56)

References Cited

U.S. PATENT DOCUMENTS

2008/0258467 A1* 10/2008 Wilson F03B 11/02
290/54

* cited by examiner

FIG. 1

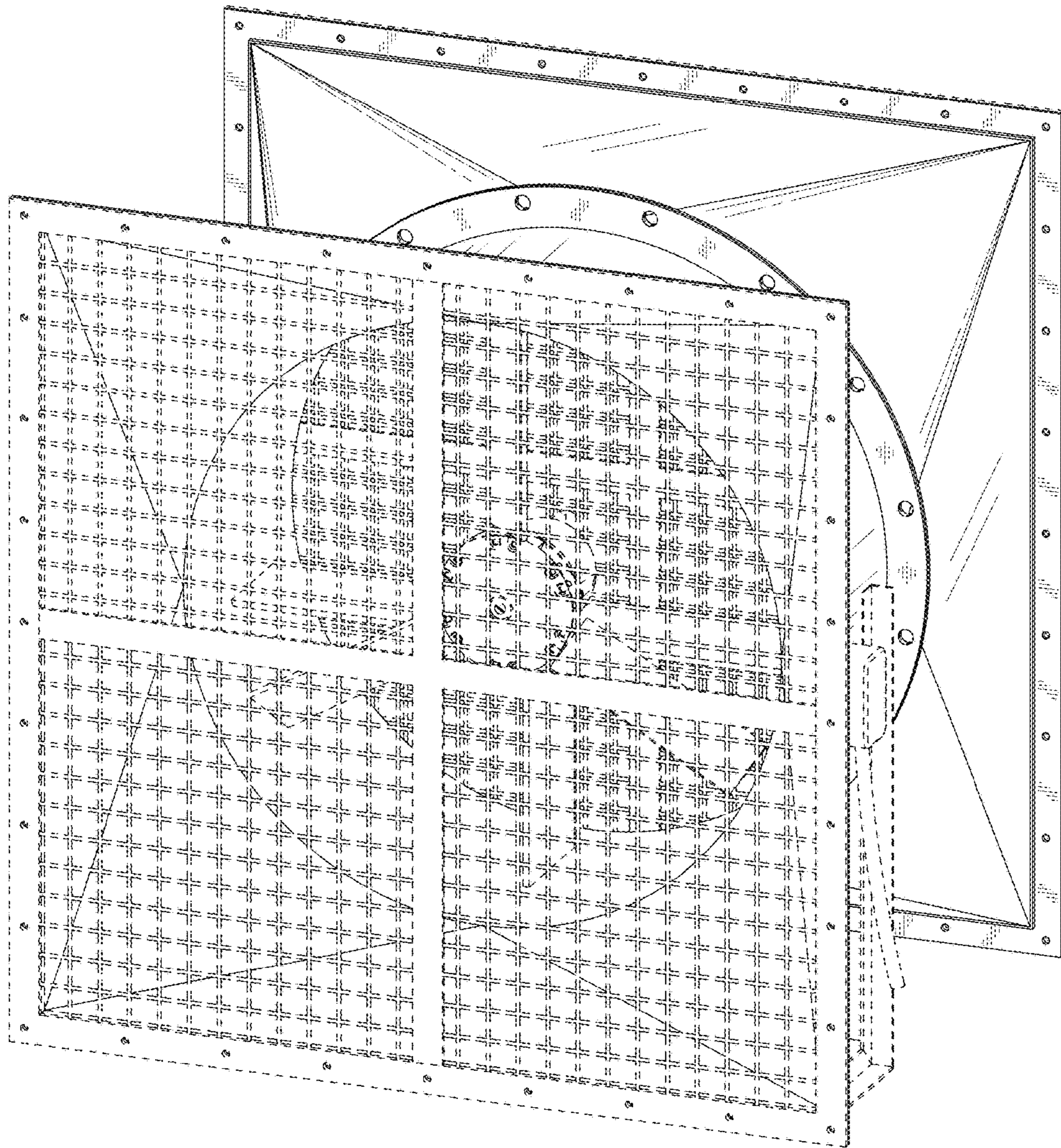


FIG. 2

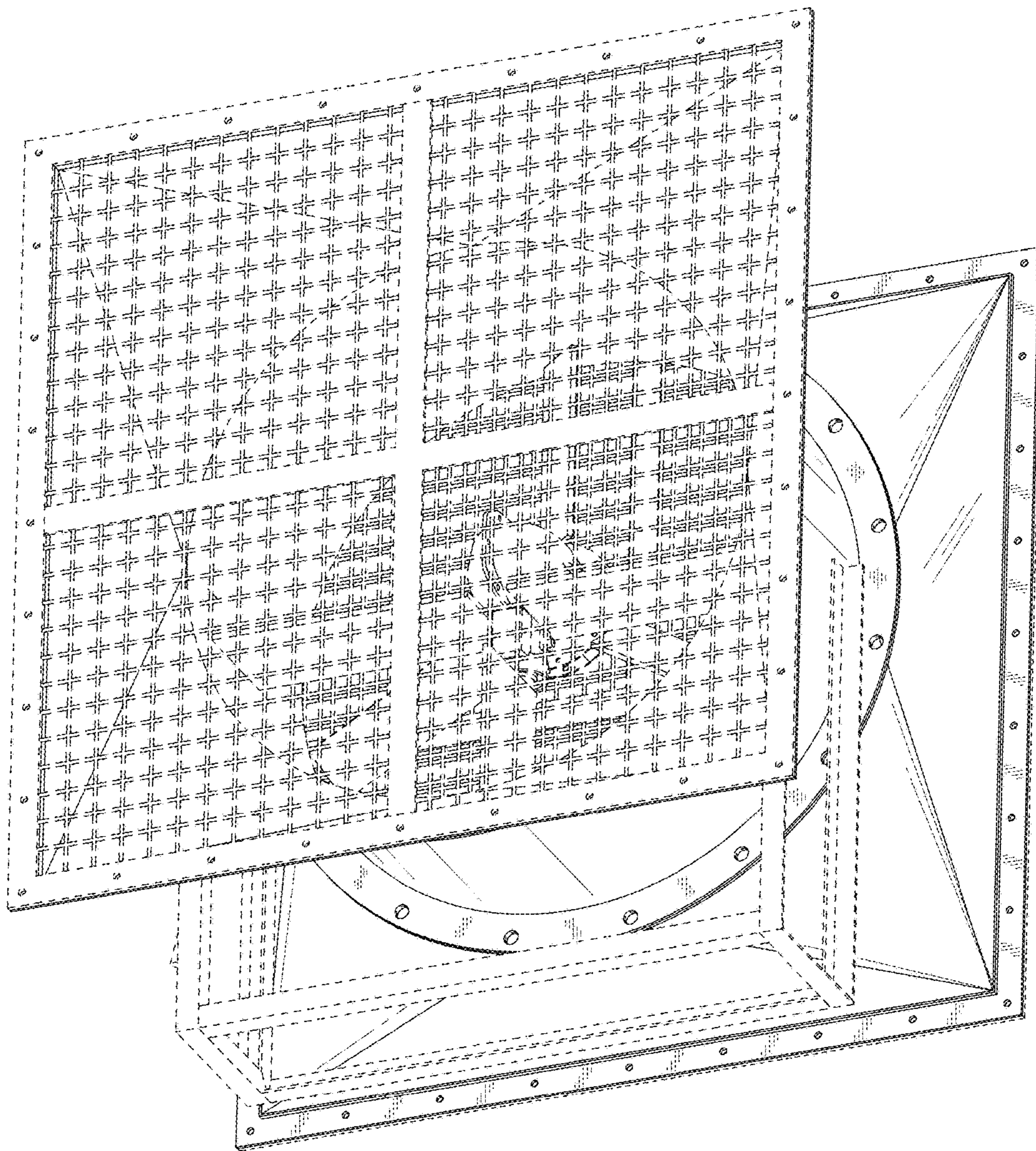


FIG. 3

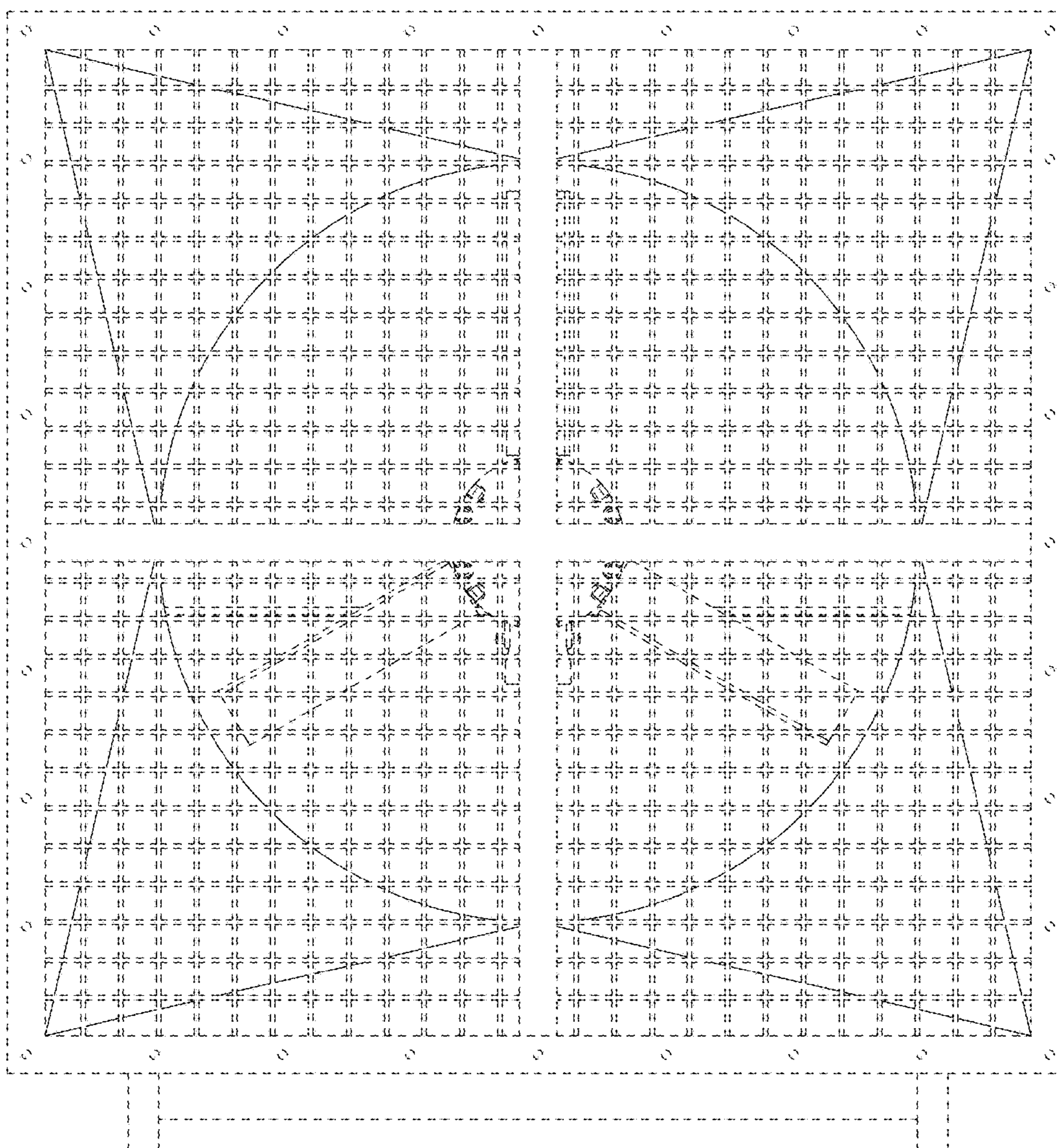


FIG. 4

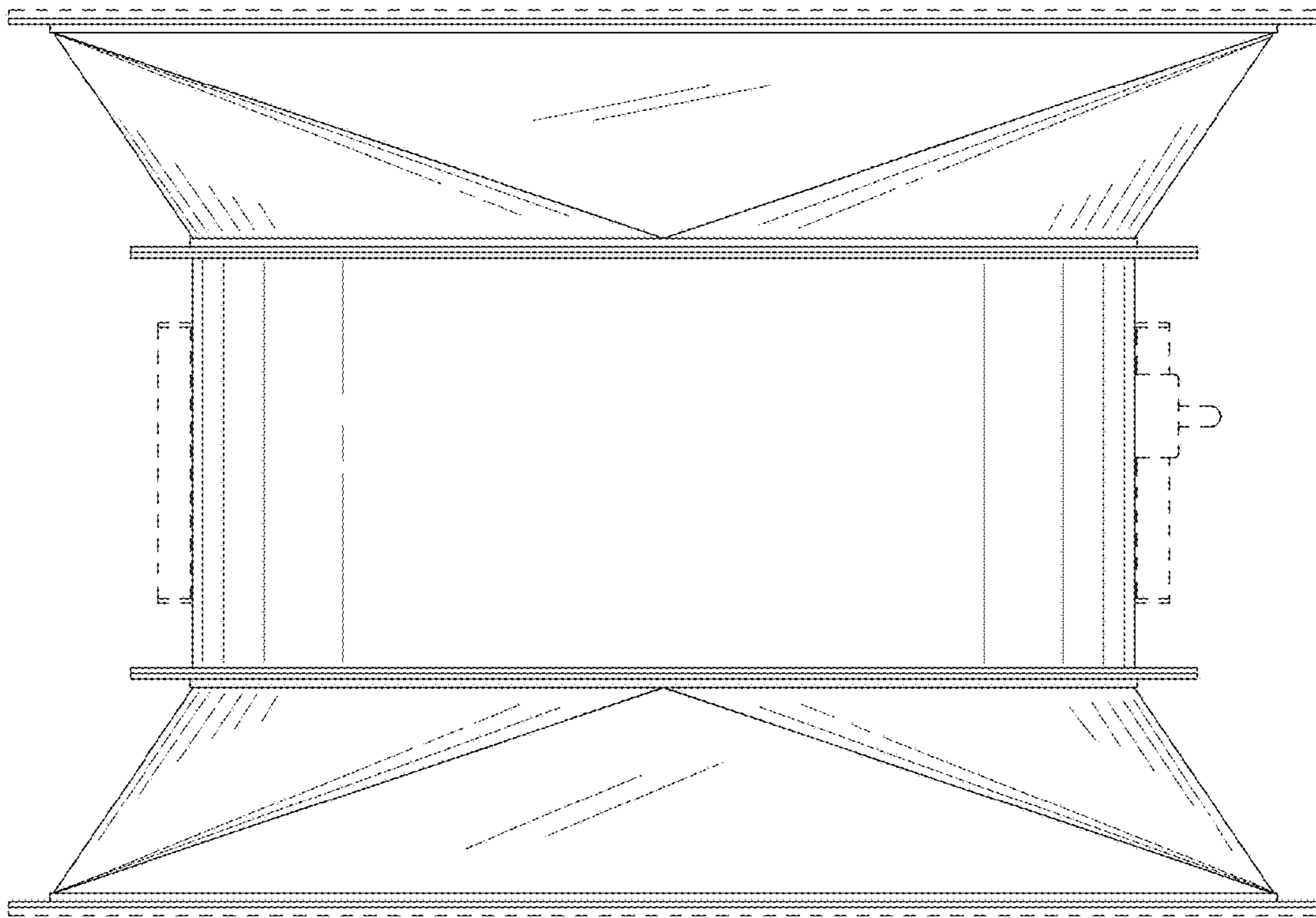


FIG. 5

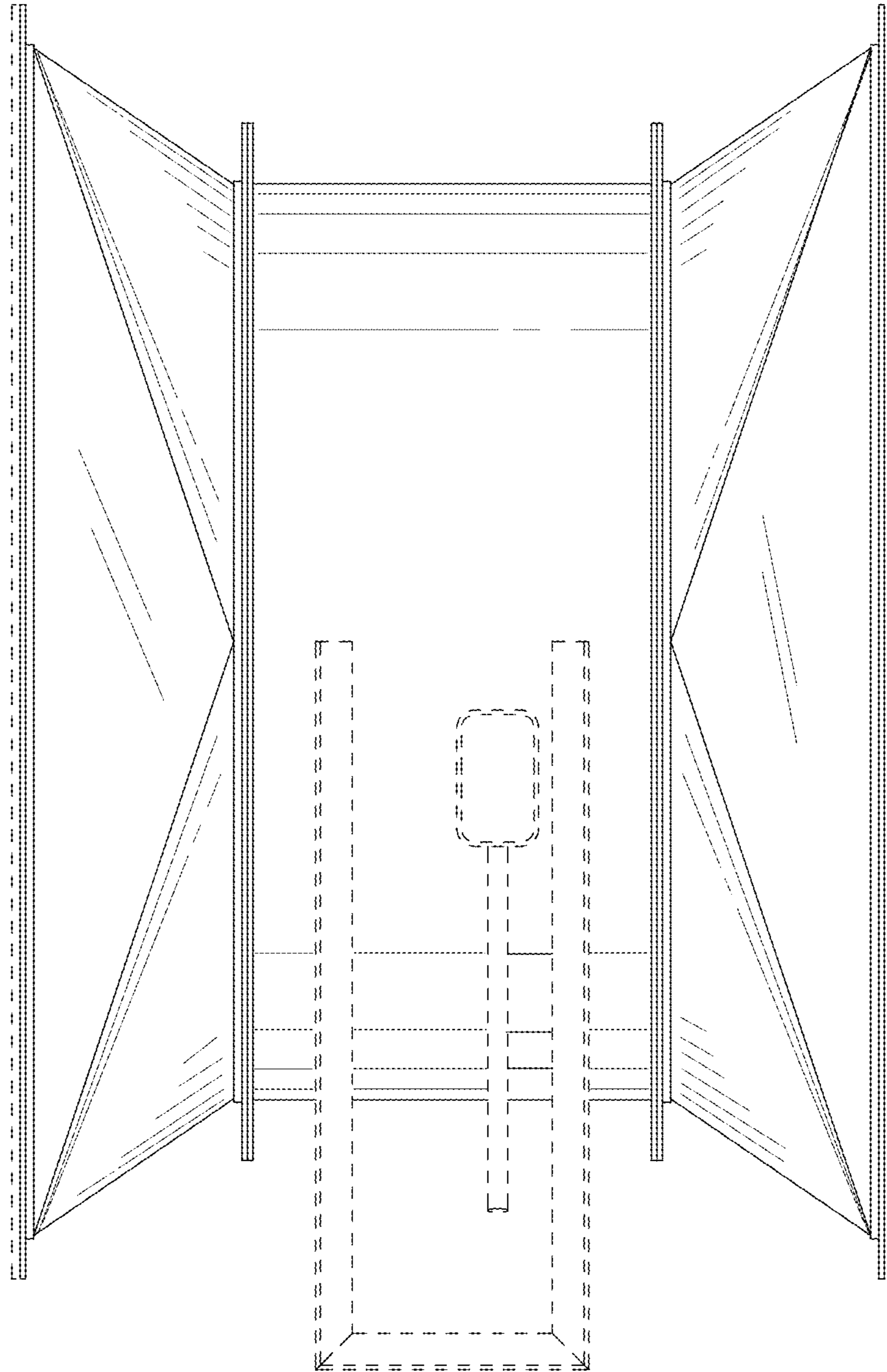


FIG. 6

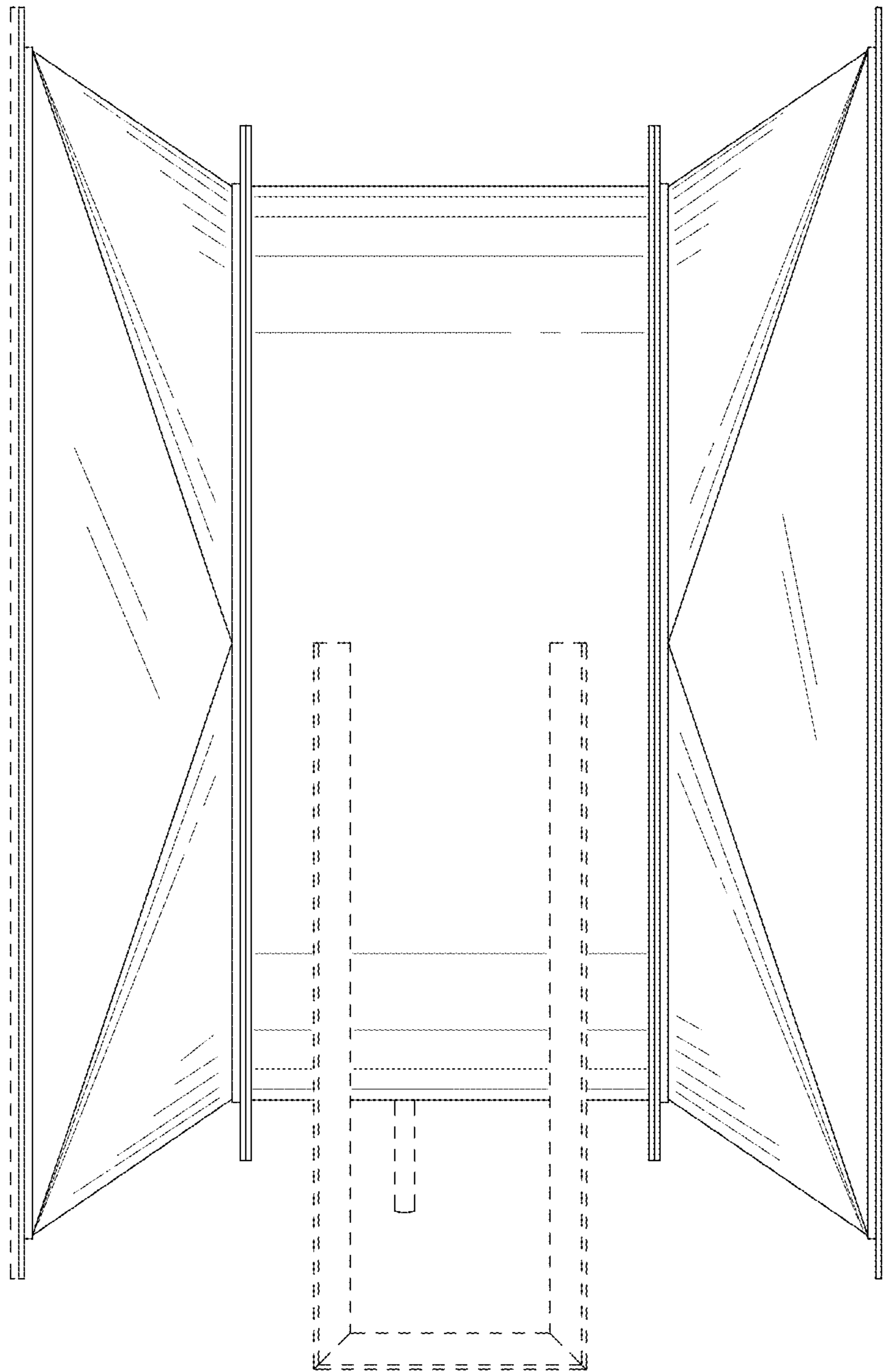


FIG. 7

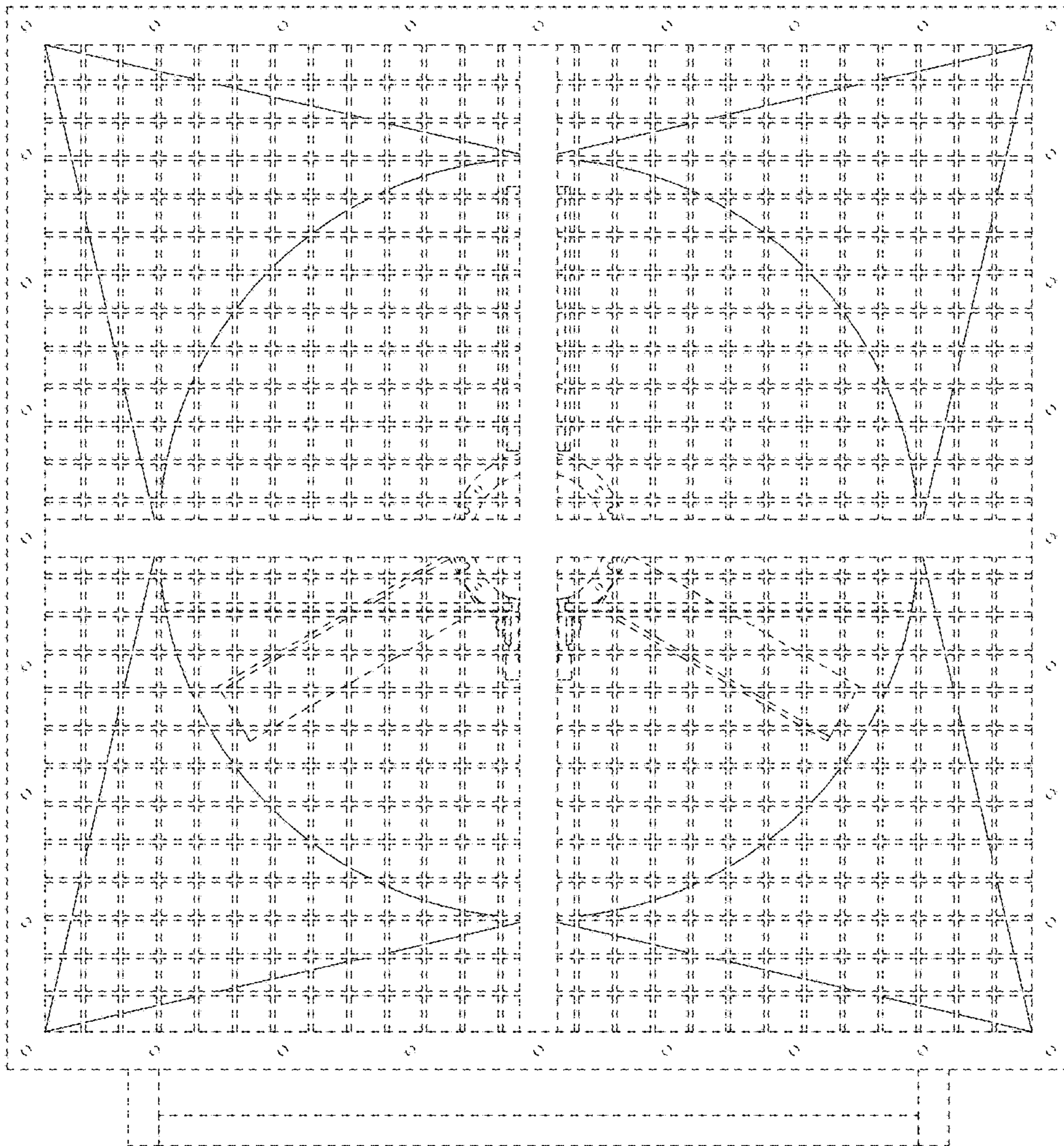


FIG. 8

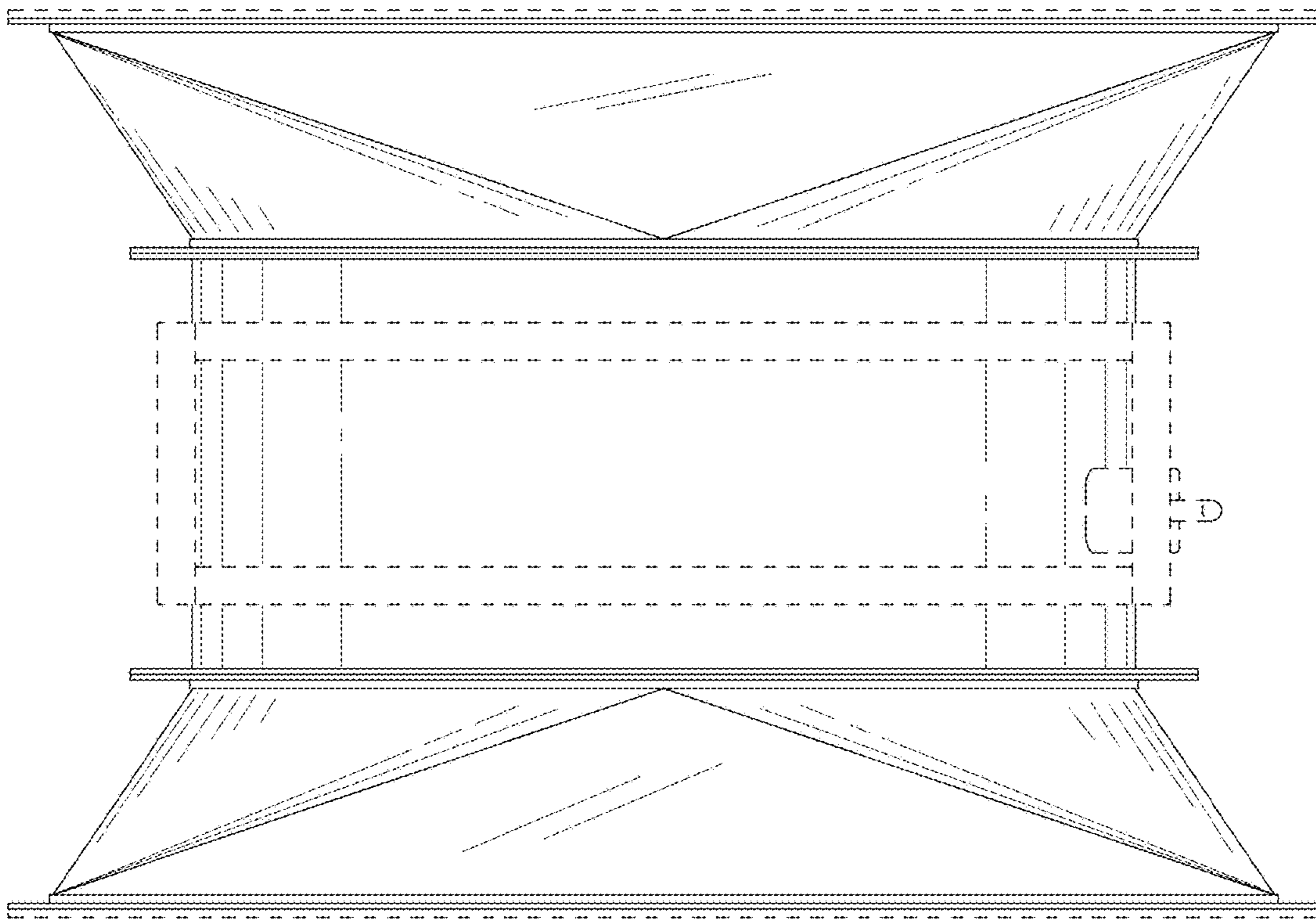


FIG. 9

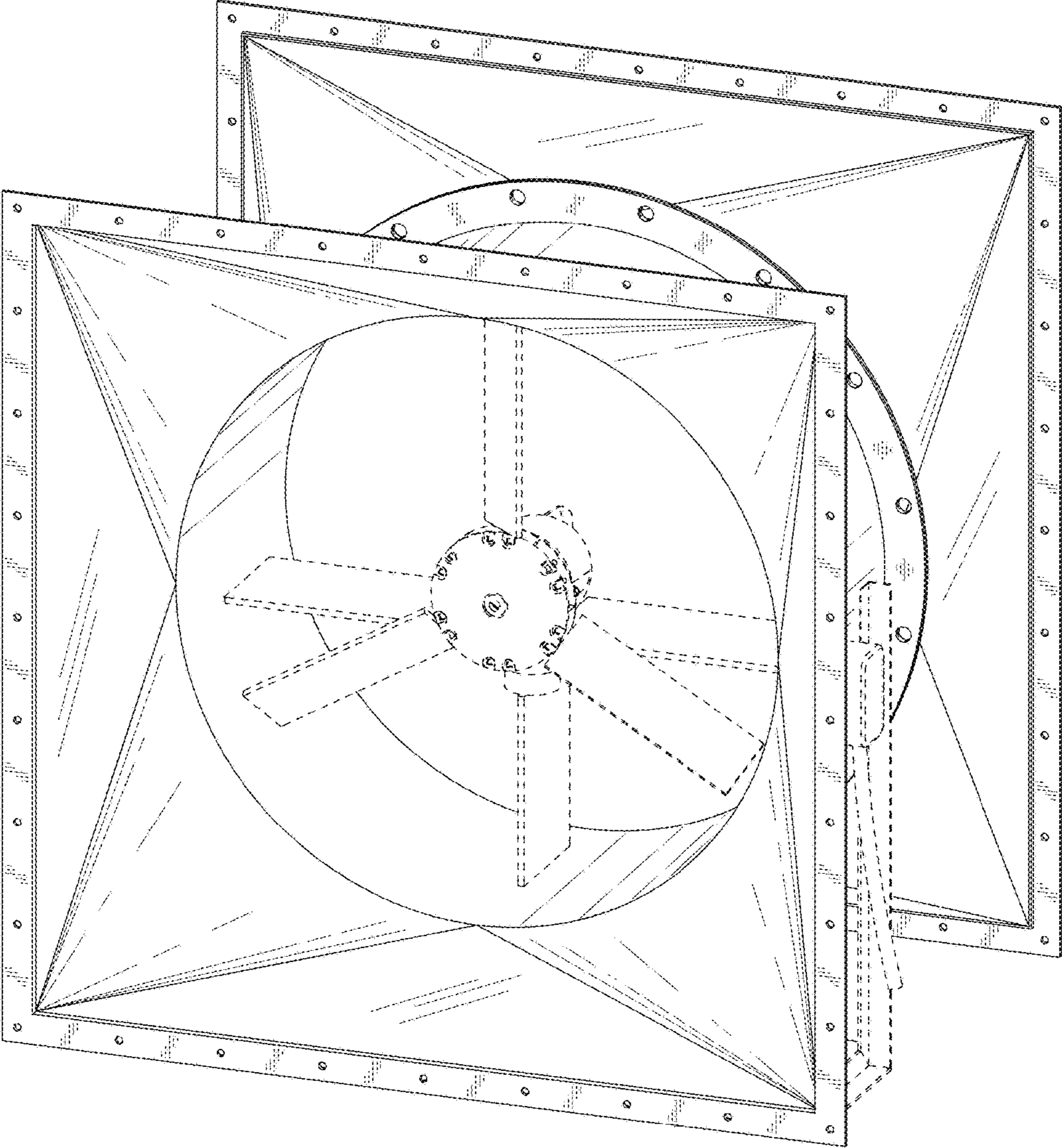


FIG. 10

