



US00D803780S

(12) **United States Design Patent**
Gudgel et al.

(10) **Patent No.:** **US D803,780 S**

(45) **Date of Patent:** **** Nov. 28, 2017**

- (54) **MODULAR INVERTER PANEL**
- (71) Applicant: **MidNite Solar, Inc.**, Arlington, WA (US)
- (72) Inventors: **Robin Wayne Gudgel**, Arlington, WA (US); **Robert Anthony Quarterman**, Granite Falls, WA (US)
- (73) Assignee: **MidNite Solar, Inc.**, Arlington, WA (US)
- (**) Term: **15 Years**
- (21) Appl. No.: **29/577,477**
- (22) Filed: **Sep. 13, 2016**
- (51) **LOC (10) Cl.** **13-02**
- (52) **U.S. Cl.**
USPC **D13/110**
- (58) **Field of Classification Search**
USPC D13/110, 123, 184, 199
CPC H02M 7/00; H02M 7/003; H02M 7/02;
H05K 5/00; H05K 5/0017; H05K 7/1427;
H05K 7/209; H05K 7/20909
See application file for complete search history.

- D569,795 S * 5/2008 Higuchi D13/110
- D573,945 S * 7/2008 Park D13/110
- D595,225 S * 6/2009 Juva D13/110
- D604,237 S * 11/2009 Engel D13/110
- D684,533 S * 6/2013 Nakahira D13/110
- 8,520,381 B2 * 8/2013 Hobein H02M 7/003
361/679.54
- D705,728 S * 5/2014 Choi D13/110
- D706,215 S * 6/2014 Nakahira D13/110
- D755,123 S * 5/2016 Ho D13/110
- D775,072 S * 12/2016 Reiner D13/110
- 2011/0069451 A1 * 3/2011 Hobein H02M 7/003
361/695
- 2017/0077801 A1 * 3/2017 Yanagimoto H05K 1/0233
- 2017/0155336 A1 * 6/2017 Yamazawa H05K 7/1432

* cited by examiner

Primary Examiner — Selina Sikder

(74) *Attorney, Agent, or Firm* — Lane Powell PC

(57) **CLAIM**

The ornamental design for a modular inverter panel, as shown.

DESCRIPTION

FIG. 1 is an isometric view of the modular inverter panel;
 FIG. 2 is a top view thereof;
 FIG. 3 is a bottom view thereof;
 FIG. 4 is a front view thereof;
 FIG. 5 is a back view thereof;
 FIG. 6 is a right side view thereof; and,
 FIG. 7 is a left side view thereof.
 The broken lines shown are for illustrative purposes only
 forms no part of the claimed design.

1 Claim, 3 Drawing Sheets

(56) **References Cited**

U.S. PATENT DOCUMENTS

- 5,497,289 A * 3/1996 Sugishima H02M 7/003
318/558
- 6,091,604 A * 7/2000 Plougsaard H02M 7/003
165/185
- D502,916 S * 3/2005 Higuchi D13/110

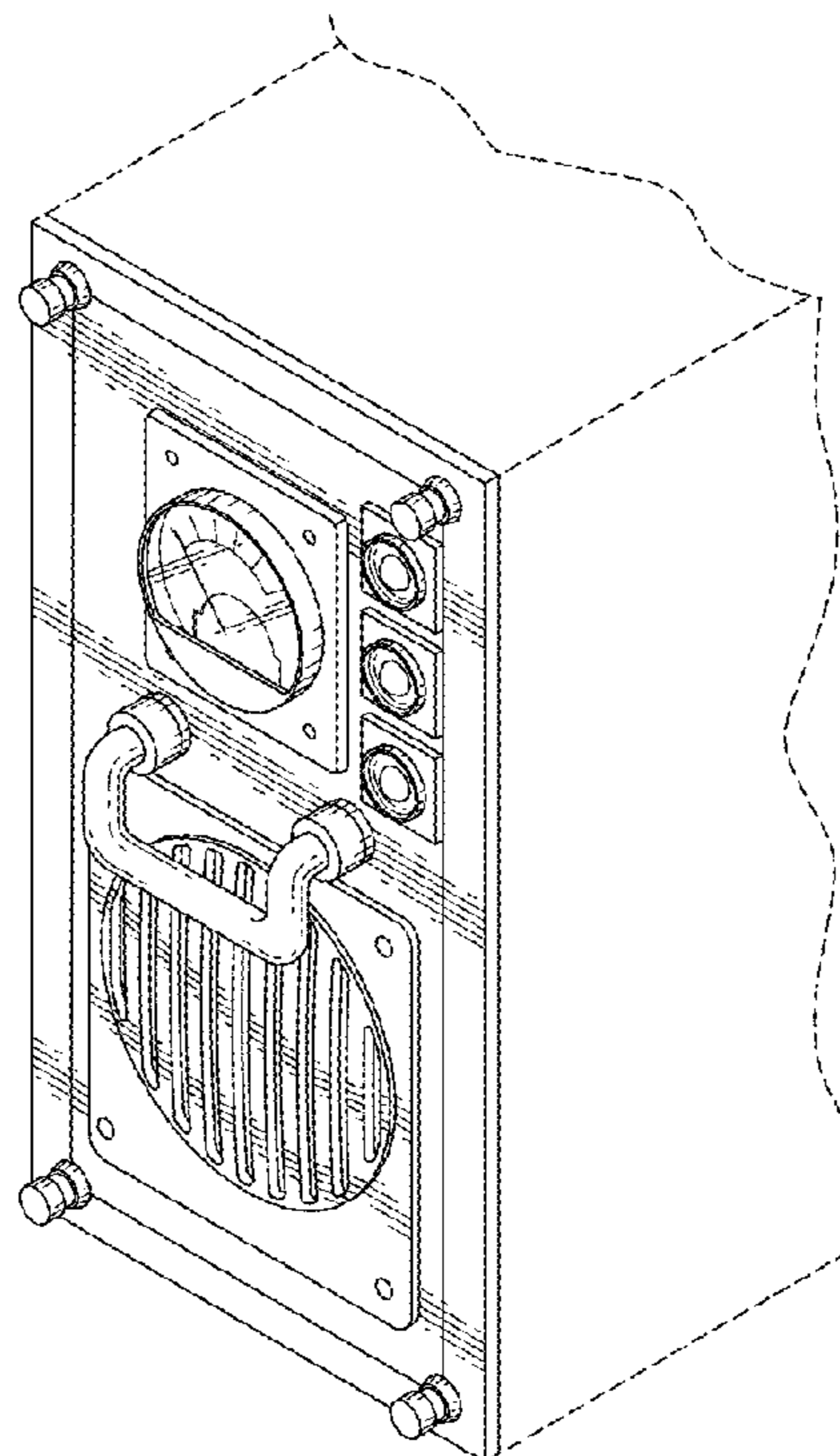


FIG. 1

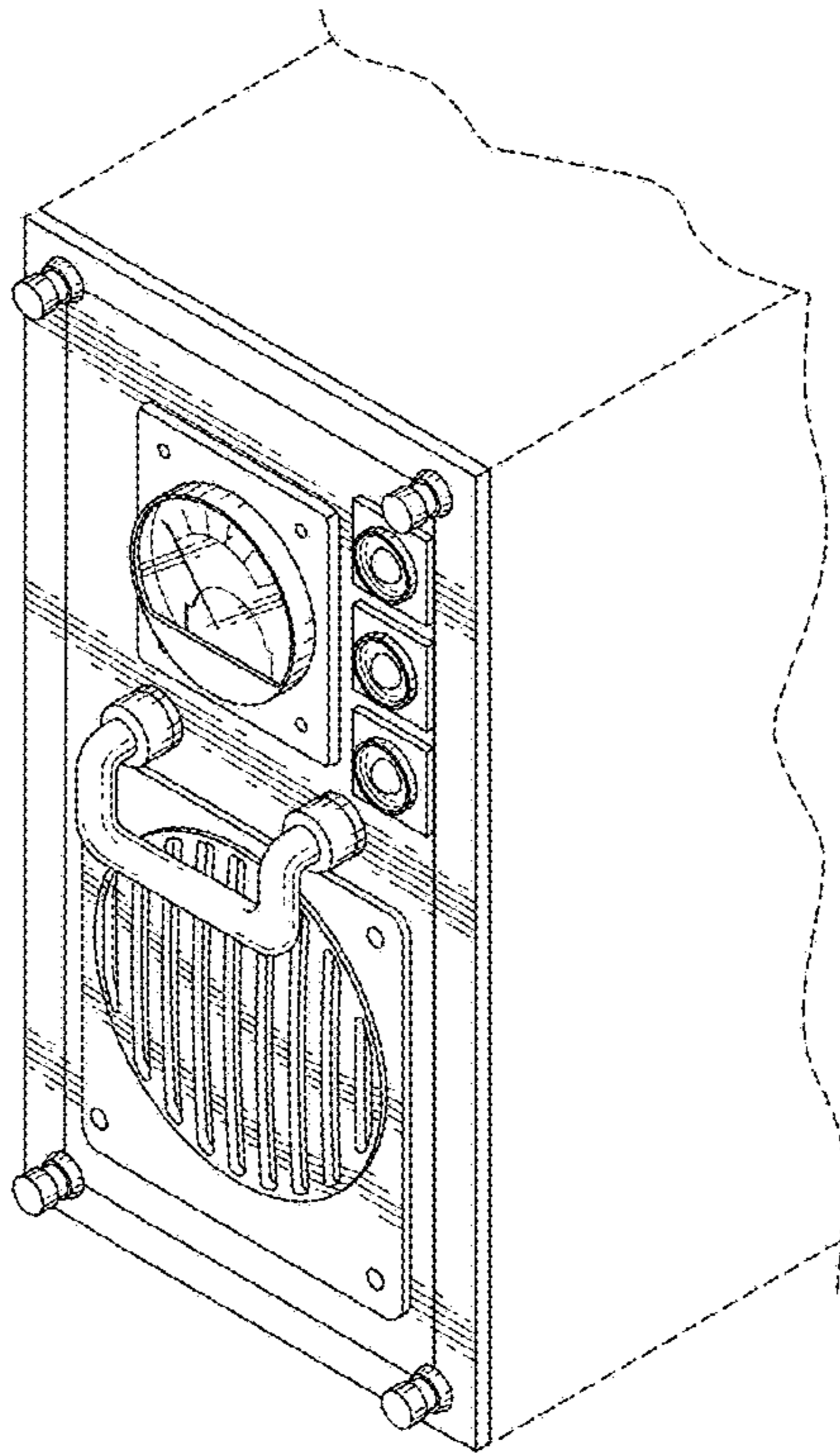


FIG. 2

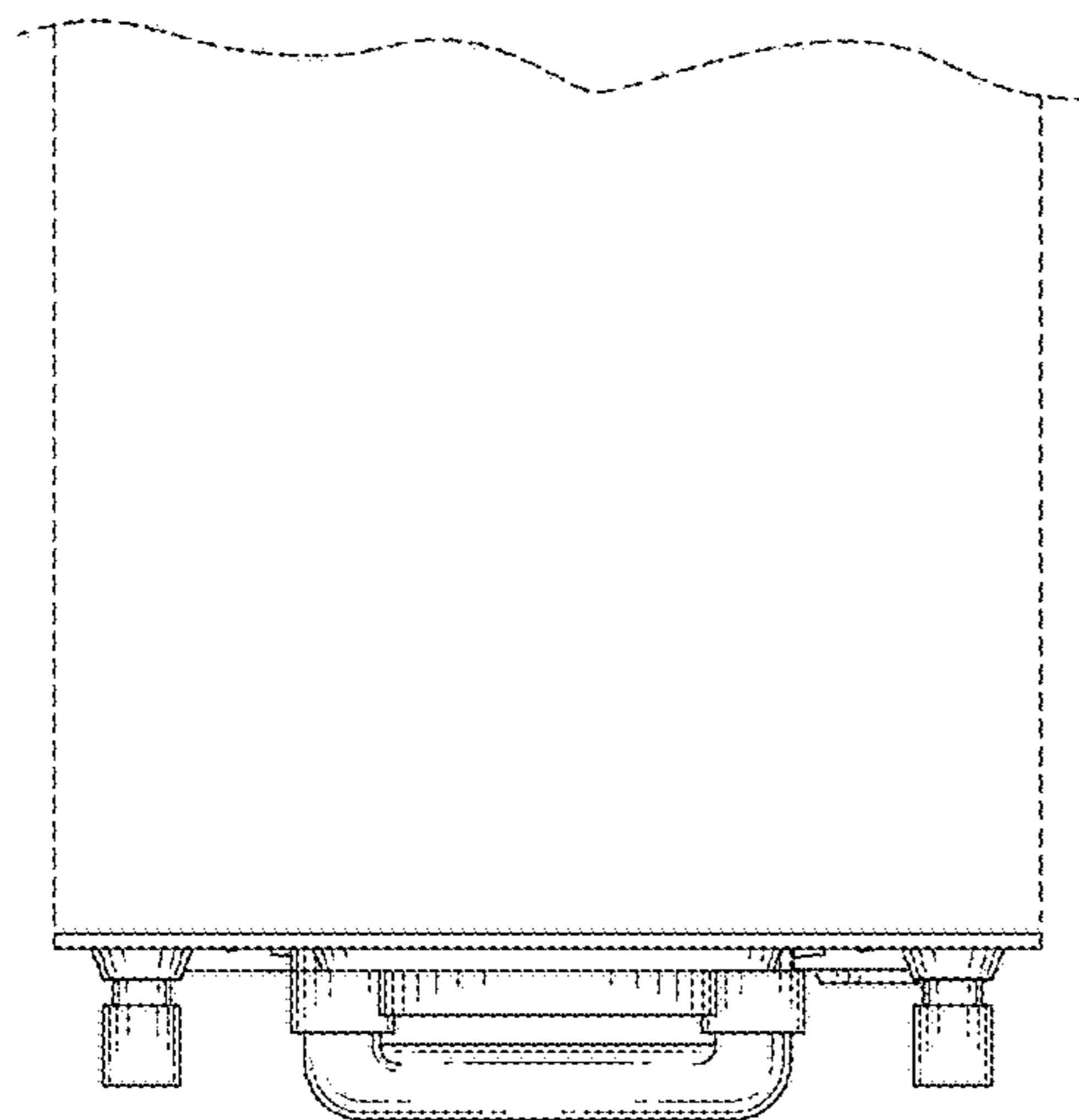


FIG. 3

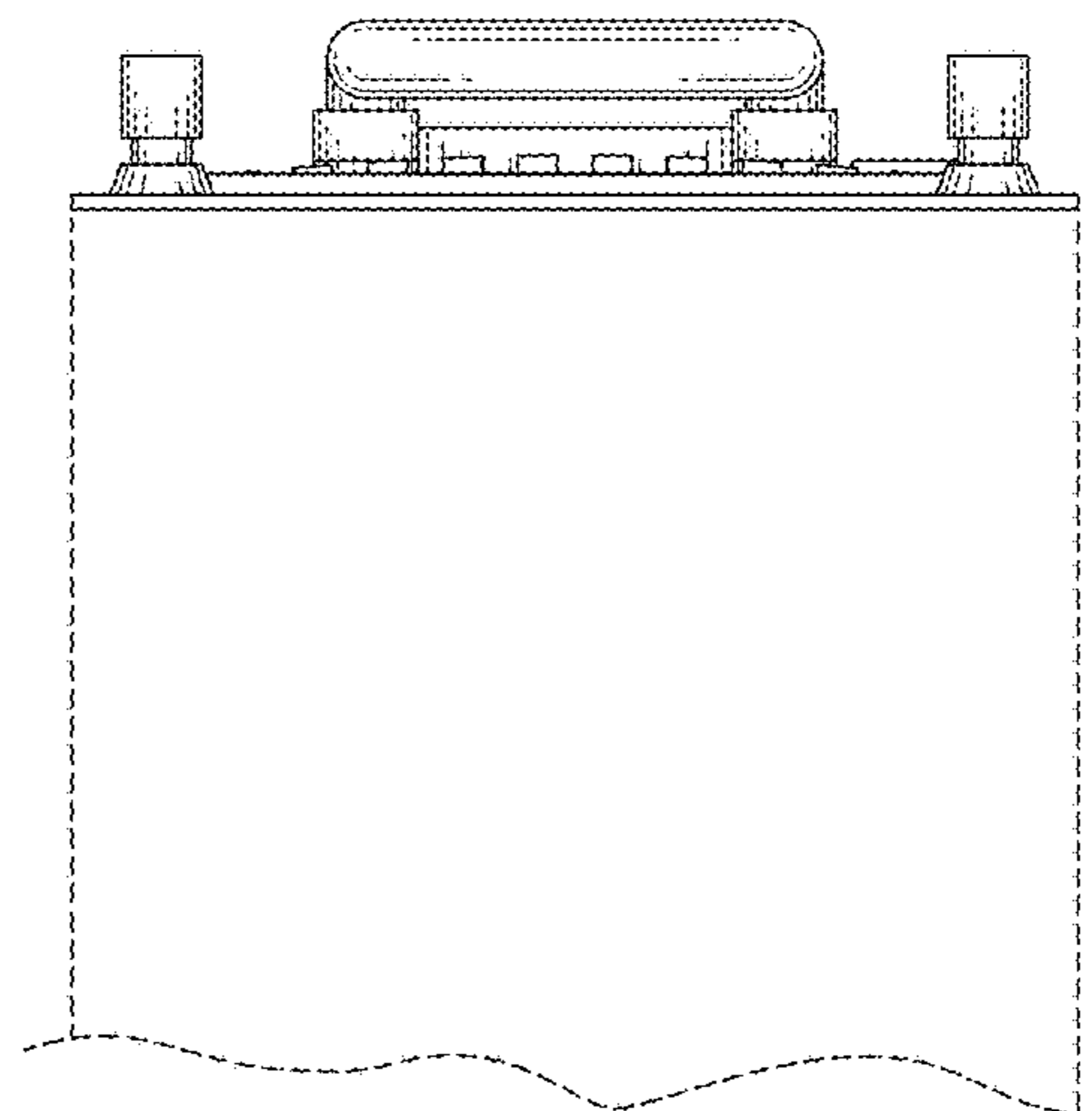


FIG. 4

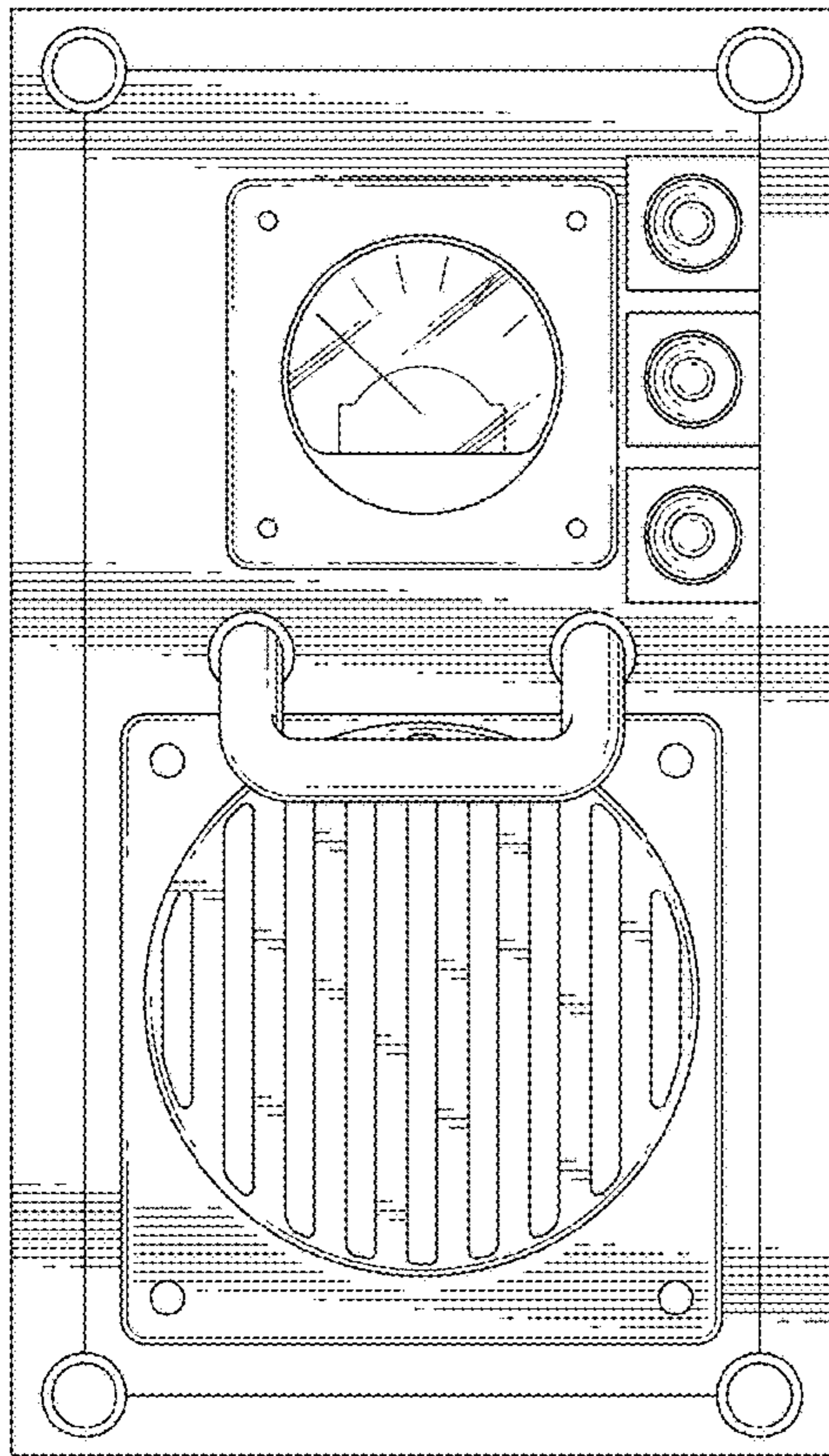


FIG. 5

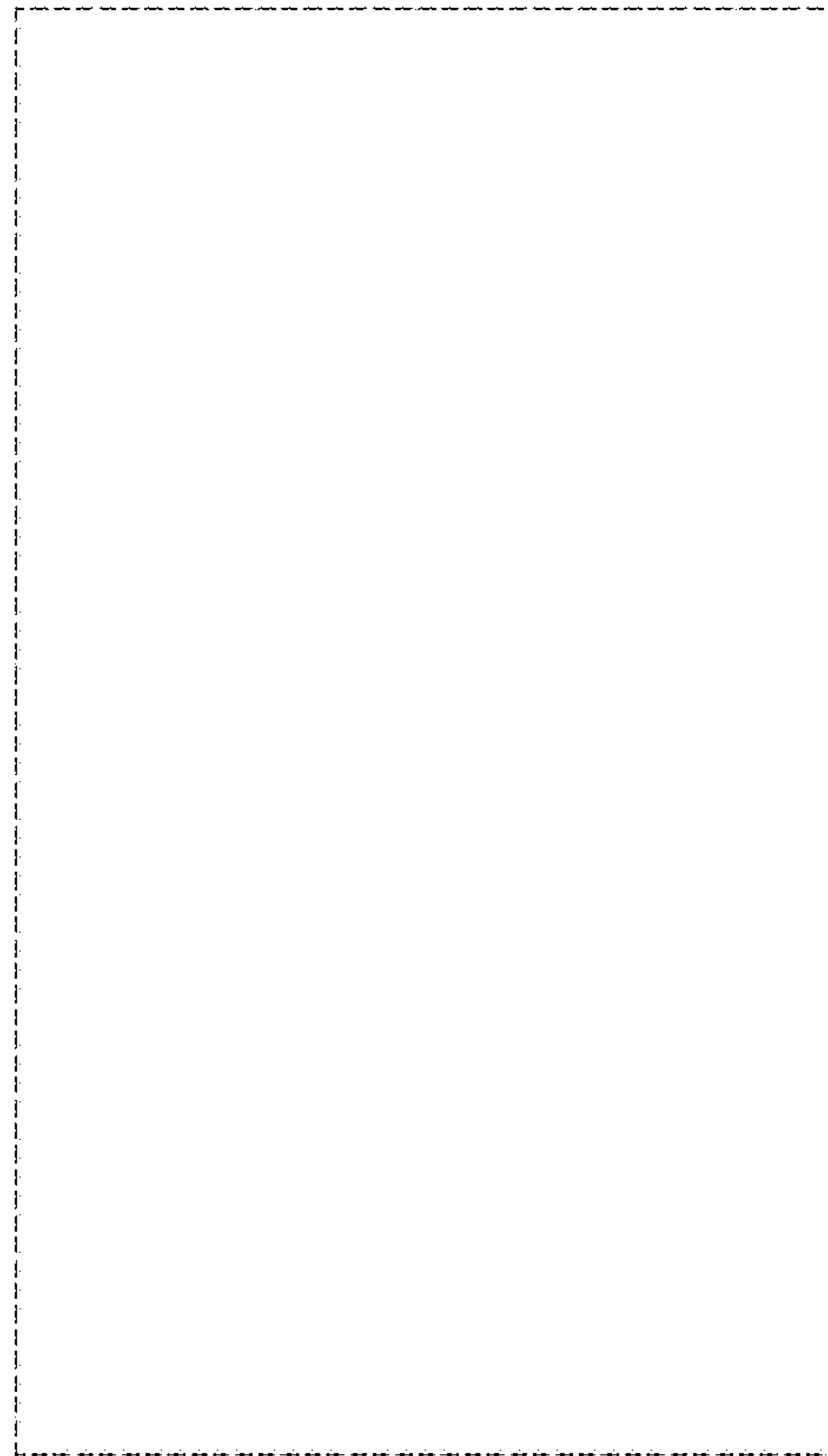


FIG. 6

FIG. 7

