



US00D803778S

(12) **United States Design Patent**
Tononishi

(10) **Patent No.:** **US D803,778 S**

(45) **Date of Patent:** **** *Nov. 28, 2017**

(54) **RECHARGEABLE BATTERY**

(71) Applicant: **GS Yuasa International Ltd.**,
Kyoto-shi, Kyoto (JP)

(72) Inventor: **Masamitsu Tononishi**, Kyoto (JP)

(73) Assignee: **GS Yuasa International Ltd.**, Kyoto
(JP)

(*) Notice: This patent is subject to a terminal disclaimer.

(**) Term: **15 Years**

(21) Appl. No.: **29/566,603**

(22) Filed: **Jun. 1, 2016**

(30) **Foreign Application Priority Data**

Dec. 3, 2015 (JP) 2015-027117
Dec. 3, 2015 (JP) 2015-027118
Dec. 3, 2015 (JP) 2015-027119

(51) **LOC (10) Cl.** **13-02**

(52) **U.S. Cl.**
USPC **D13/103**

(58) **Field of Classification Search**

USPC D13/102-110, 118-119, 184, 199;
D14/356, 432, 251, 253, 434,
D14/203.3-203.8, 217, 248, 250, 252,
D14/440, 450, 496; D3/201, 218, 269,
D3/301, 273, 303
CPC Y02E 60/12; Y02E 60/122; Y02E 60/124;
Y02E 60/50; Y02E 60/10; H01M 2/02;
H01M 2/022; H01M 2/0202; H01M
2/0207; H01M 2/0212; H01M 2/1061;
H01M 2/1022; H01M 2/1055; H01M
2/1066; H01M 2/105; H01M 2/204;
H01M 2/20; H01M 2/202; H01M 2/206;
H01M 10/44; H01M 10/46; H01M
10/465; H01M 10/482; H01M 10/4257;
H01M 10/0436; H01M 10/48; H01M
10/425; H01M 2200/30; H01M 2250/30;

H01M 2250/40; H02J 7/00; H02J 7/0003;
H02J 7/0011; H02J 7/0013; H02J 7/0054;
H02J 7/0055; H02J 7/0057; H02J 7/025;
H02J 7/0042; H02J 7/0044; H02J 7/0045;
H02J 2007/0062; H01F 38/14; H01R
13/6675

See application file for complete search history.

(56) **References Cited**

U.S. PATENT DOCUMENTS

D314,176 S * 1/1991 Weber D13/133
5,681,178 A * 10/1997 Kunkle H01R 13/641
439/352

(Continued)

Primary Examiner — Rosemary K Tarcza

Assistant Examiner — Christy Nemeth

(74) *Attorney, Agent, or Firm* — Capitol City TechLaw

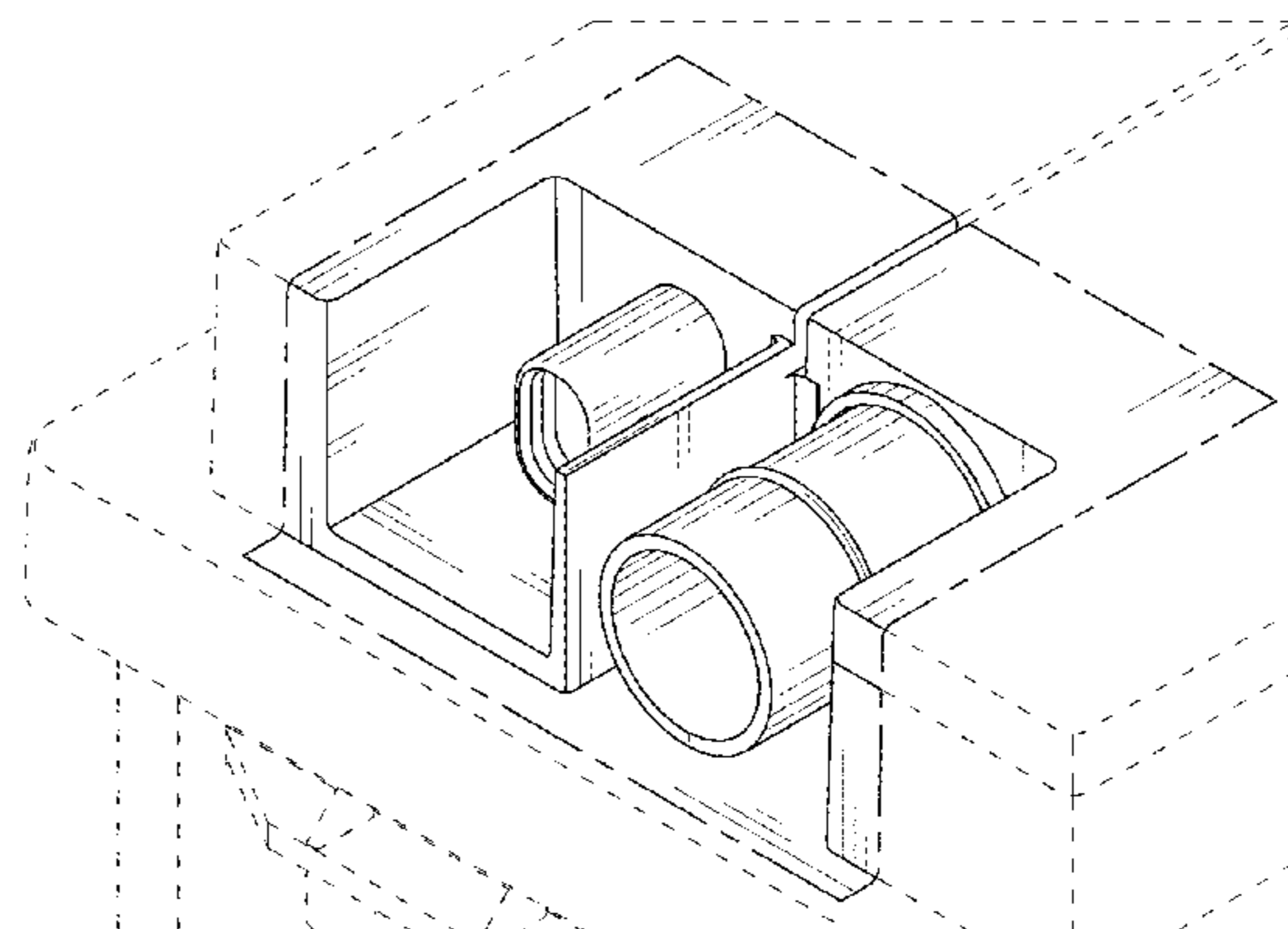
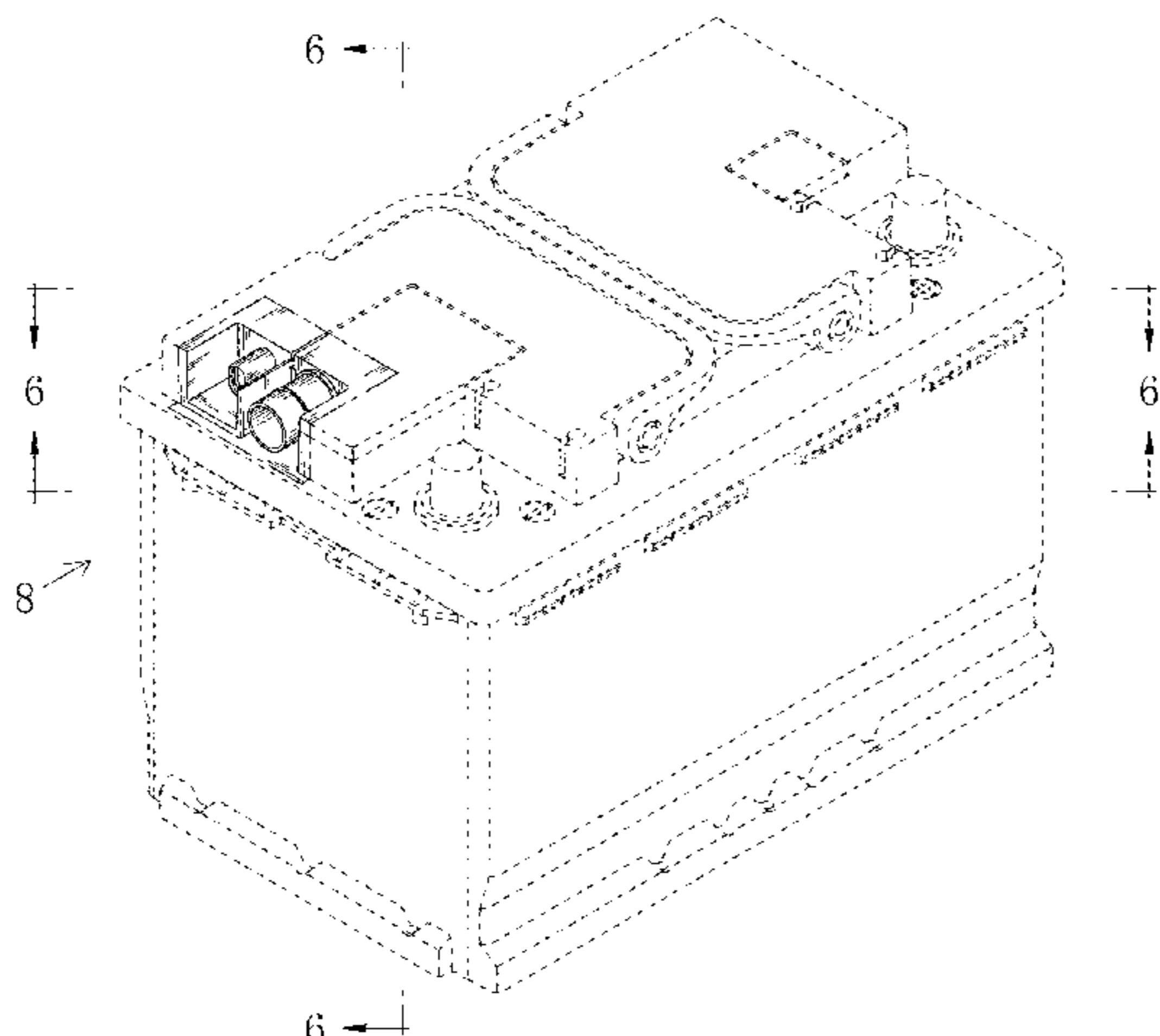
(57) **CLAIM**

The ornamental design for a rechargeable battery, as shown and described.

DESCRIPTION

FIG. 1 is a front, top, and left side perspective view of a rechargeable battery showing my new design;
FIG. 2 is a front view thereof;
FIG. 3 is a rear view thereof;
FIG. 4 is a top view thereof;
FIG. 5 is a right side view thereof;
FIG. 6 is an enlarged partial view of the rechargeable battery in the area of arrow lines 6-6 of FIG. 1;
FIG. 7 is an enlarged partial view of the rechargeable battery in the area of arrow lines 7-7 of FIG. 4; and,
FIG. 8 is an enlarged partial view of the rechargeable battery in the direction of reference arrow 8 of FIG. 1.
The dashed broken lines shown in the figures illustrate portions of the rechargeable battery that form no part of the claimed design, and the dot-dash broken lines shown in the figures represent unclaimed boundaries.

1 Claim, 8 Drawing Sheets



(56)

References Cited

U.S. PATENT DOCUMENTS

D475,014 S *	5/2003	Kano	D13/133
D765,030 S *	8/2016	Tyler	D13/119
2008/0050645 A1 *	2/2008	Kai	B60L 11/1861
			429/61
2013/0183544 A1 *	7/2013	Yoshioka	H01M 2/1077
			429/7
2014/0141306 A1 *	5/2014	Kusunoki	H01M 2/1016
			429/98
2014/0184898 A1 *	7/2014	Overliese	H01R 13/62905
			348/372
2016/0036029 A1 *	2/2016	Tononishi	H01M 2/1077
			429/121

* cited by examiner

Fig.1

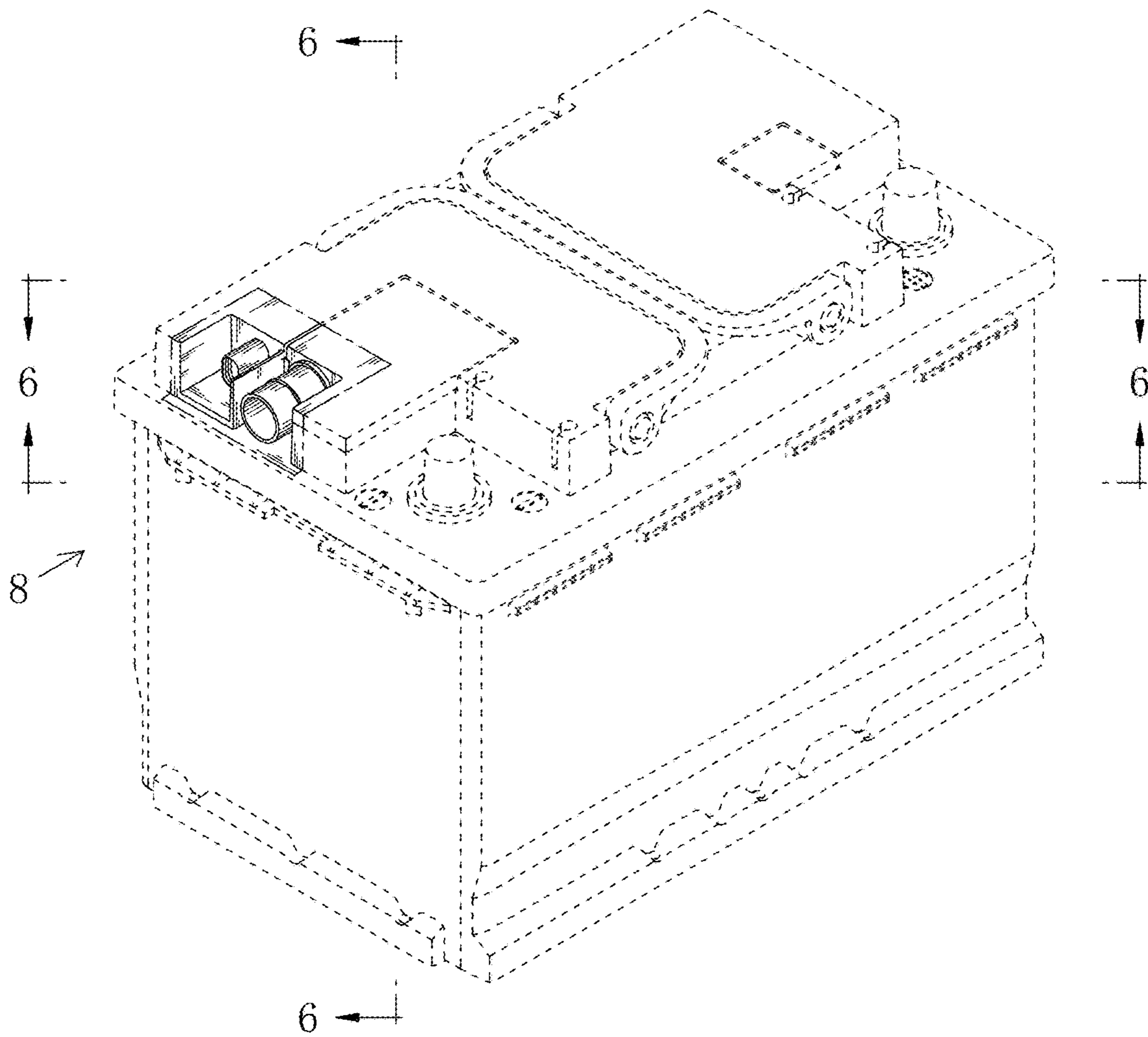


Fig.2

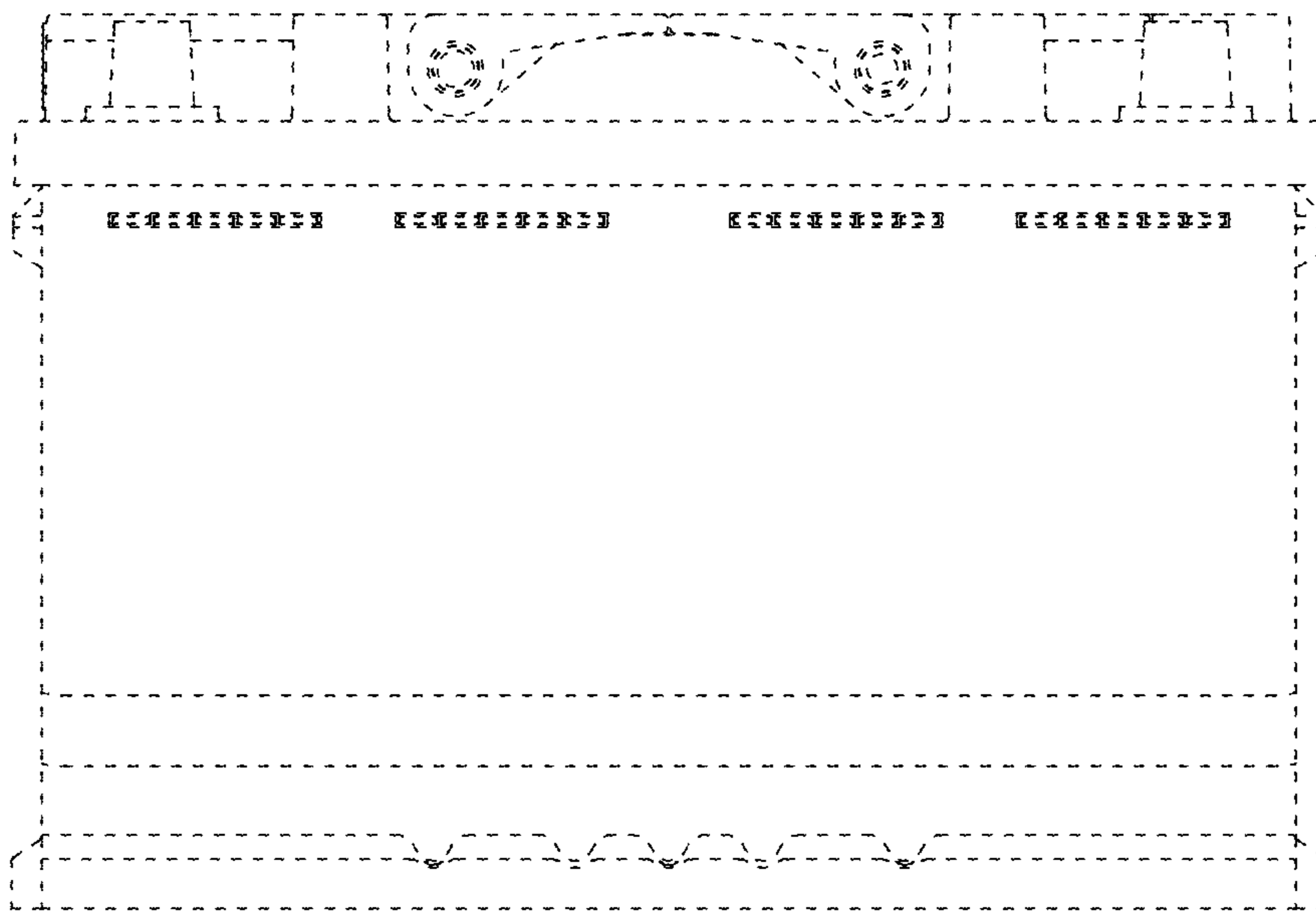


Fig.3

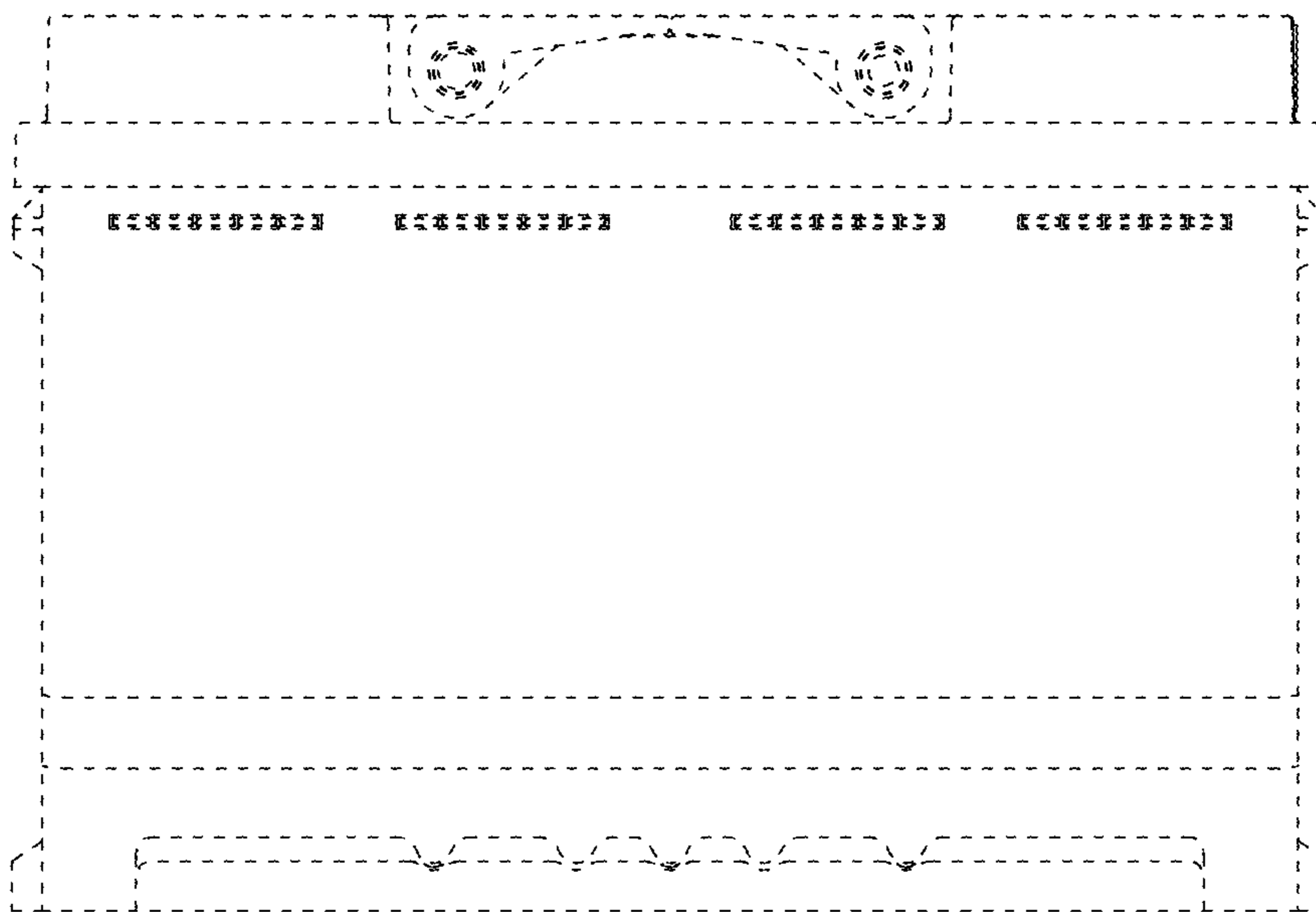


Fig.4

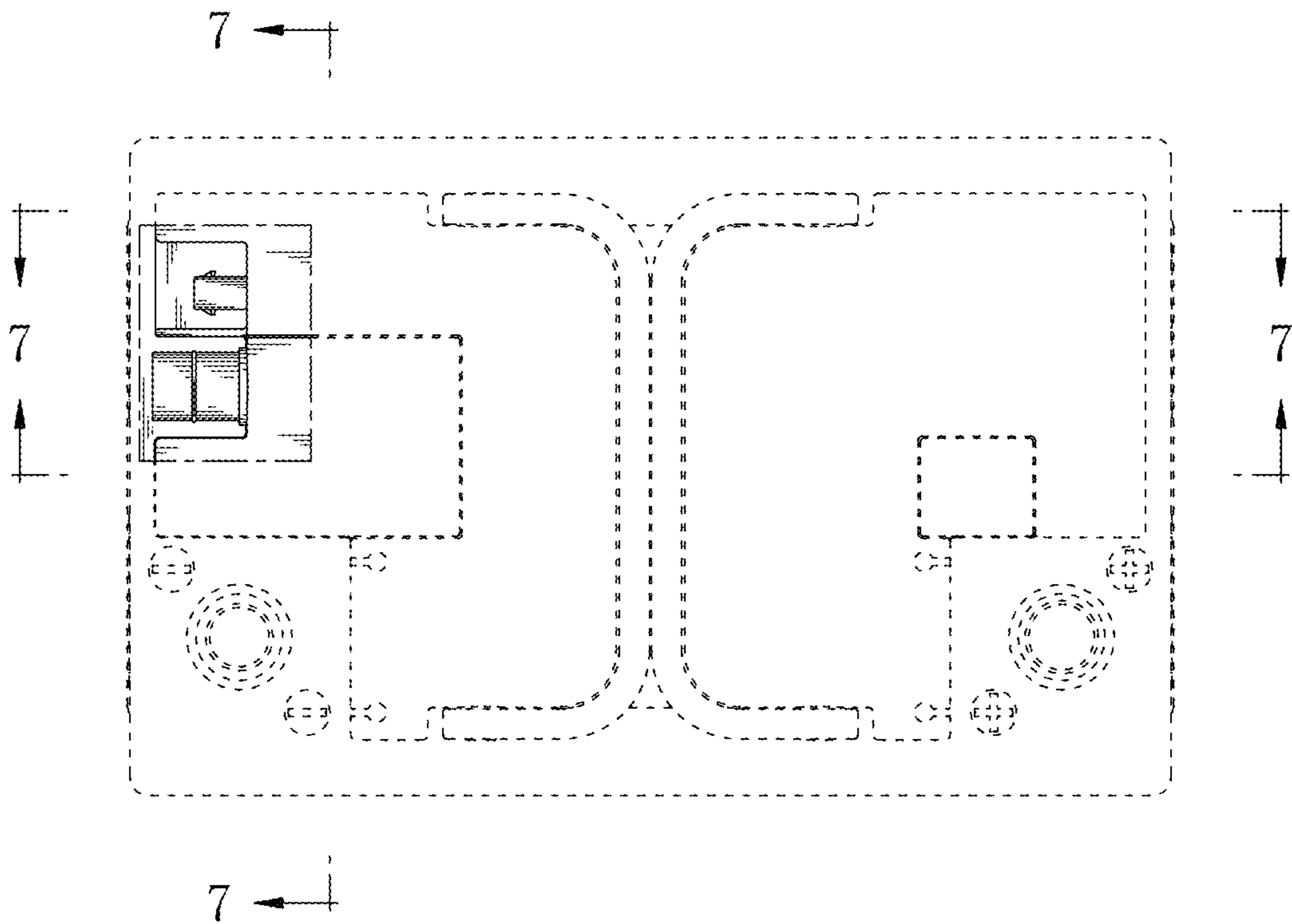


Fig.5

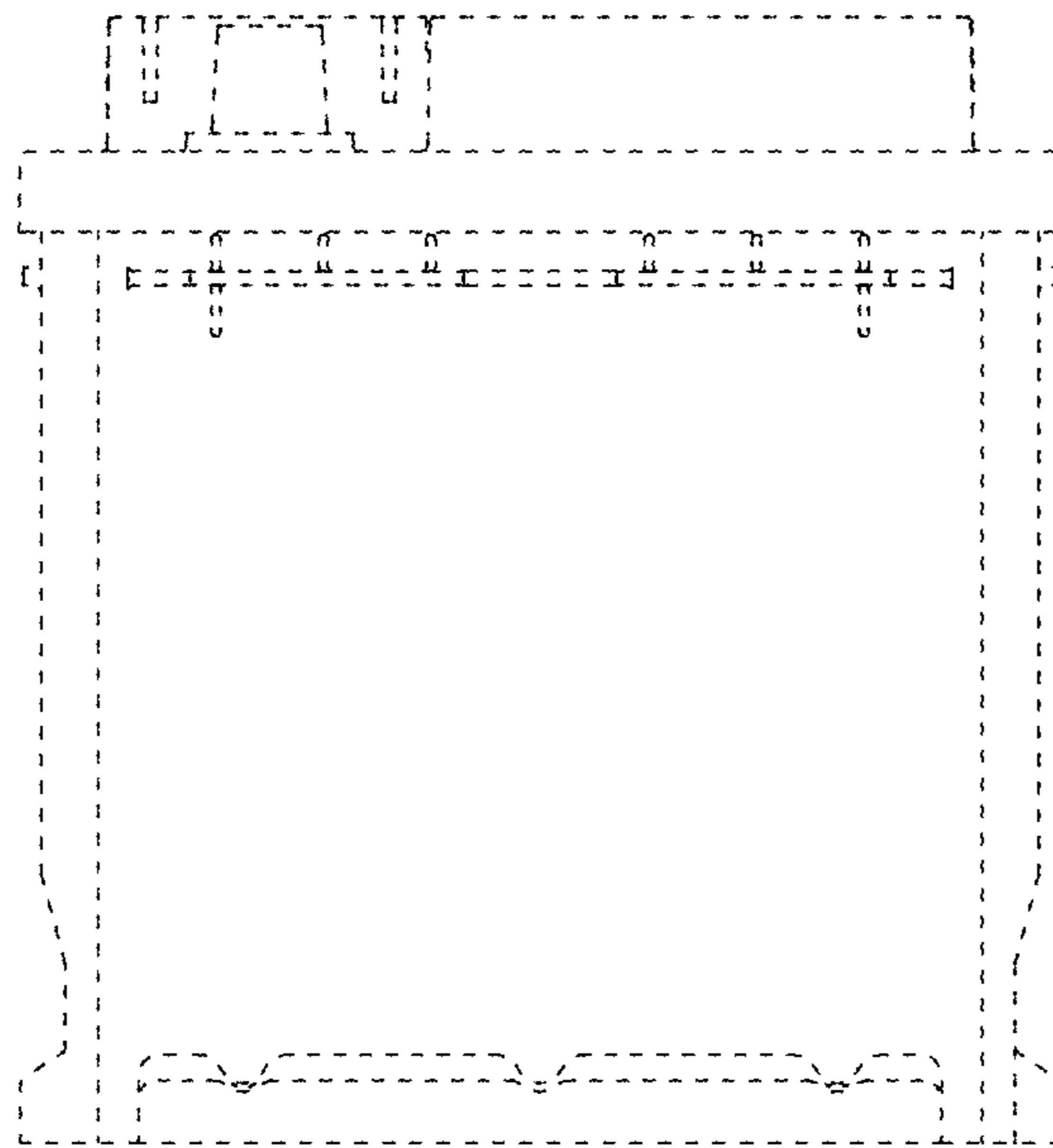


Fig.6

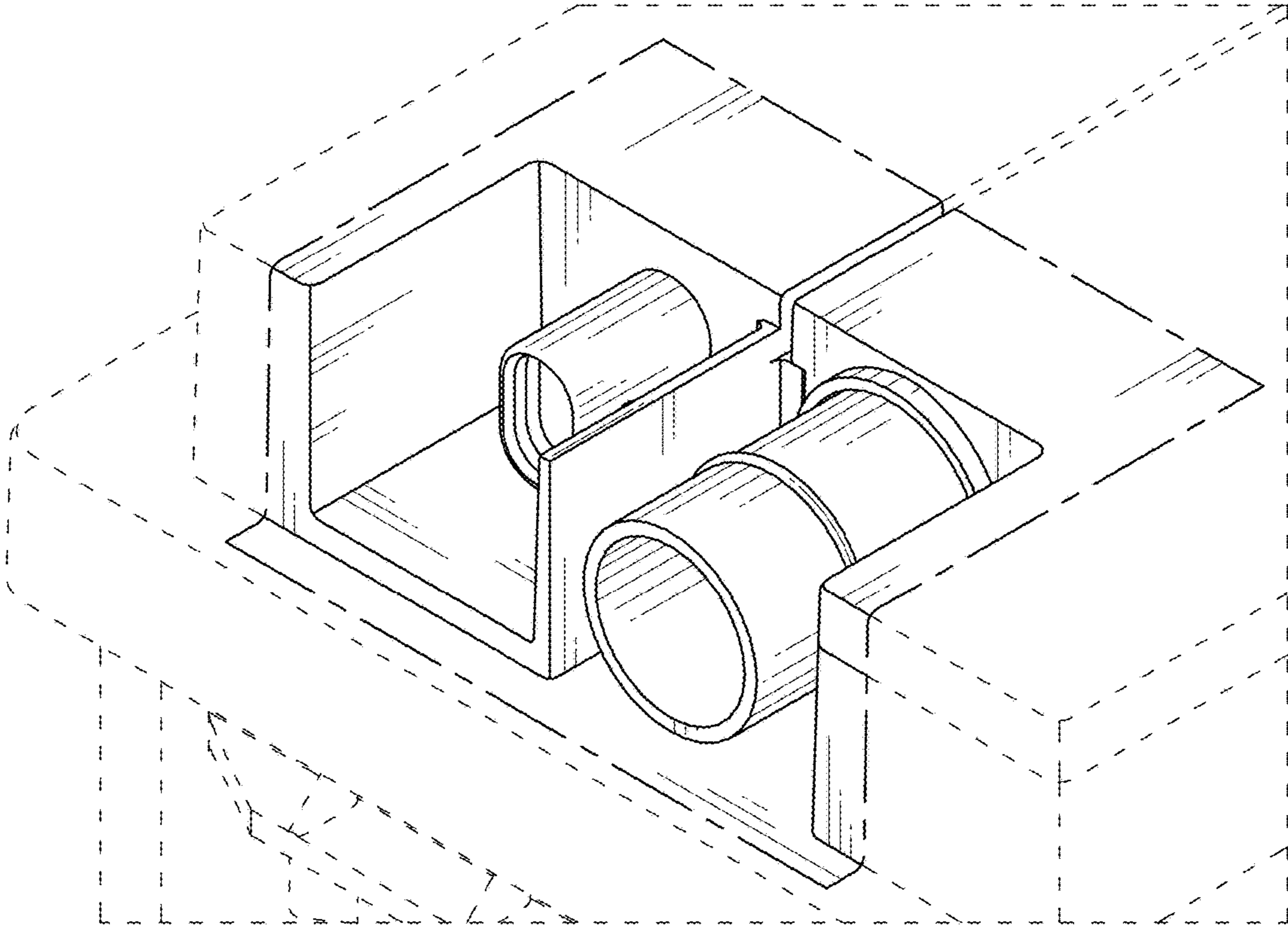


Fig.7

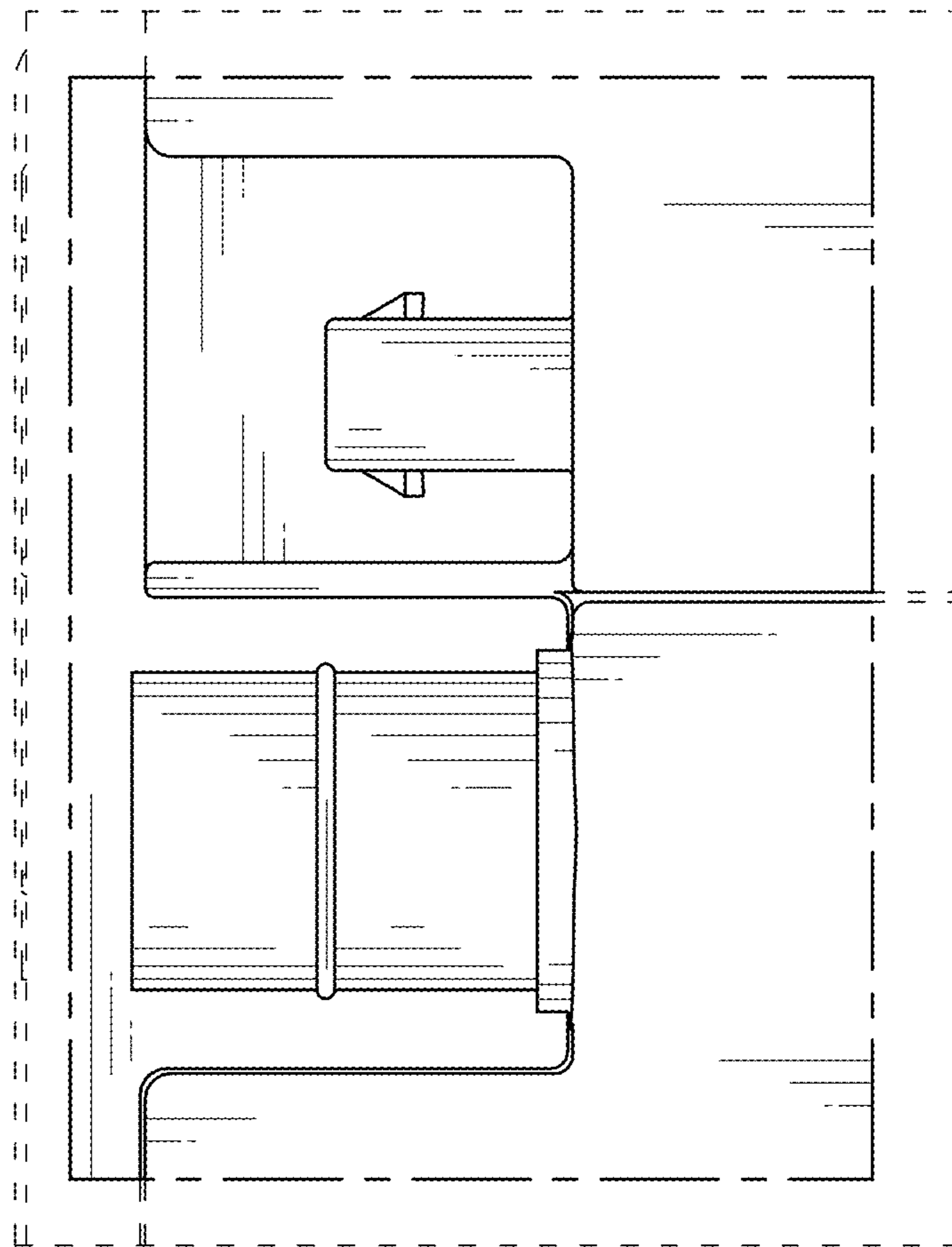


Fig.8

