



US00D803777S

(12) **United States Design Patent** (10) **Patent No.:** **US D803,777 S**
Burchard et al. (45) **Date of Patent:** **** Nov. 28, 2017**

(54) **BATTERY PACK**
(71) Applicant: **Alfred Kaercher GmbH & Co. KG**,
Winnenden (DE)
(72) Inventors: **Jochen Burchard**, Schwaebisch
Gmuend (DE); **Denis Dammkoehler**,
Backnang (DE)
(73) Assignee: **Alfred Kaercher GmbH & Co. KG**,
Winnenden (DE)

6,367,646 B1 * 4/2002 Hoagland H01M 2/1005
206/703
D491,138 S * 6/2004 Minato D13/104
D517,987 S * 3/2006 Castagnola D13/103
D592,134 S * 5/2009 Brockington D13/119
D659,088 S * 5/2012 Steinberg D13/106
D730,300 S * 5/2015 Kobayashi D13/161
D742,307 S * 11/2015 DeKeuster D13/103
2013/0183544 A1 * 7/2013 Yoshioka H01M 2/1077
429/7

(Continued)

(**) Term: **15 Years**
(21) Appl. No.: **29/559,479**
(22) Filed: **Mar. 29, 2016**

OTHER PUBLICATIONS

Extract from catalog of Alfred Kaercher GmbH & Co. KG, "Pro-
gramme 2011 Kaercher Home and Garden", cover, p. 32 and last
page (Feb. 2011).

(Continued)

(30) **Foreign Application Priority Data**

Oct. 29, 2015 (WO) 931412701
(51) **LOC (10) Cl.** **13-02**
(52) **U.S. Cl.**
USPC **D13/103**
(58) **Field of Classification Search**
USPC D13/102-106, 110, 118-119, 184
CPC Y02E 60/12; Y02E 60/122; Y02E 60/124;
Y02E 60/50; H01M 2/02; H01M 2/022;
H01M 2/0202; H01M 2/0207; H01M
2/0212; H01M 2/1061; H01M 2/1022;
H01M 2/1055; H01M 2/1066; H01M
2/105; H01M 2/204; H01M 10/4257;
H01M 10/0436; H01M 10/48
See application file for complete search history.

Primary Examiner — Rosemary K Tarcza
Assistant Examiner — Alison Ofstun
(74) *Attorney, Agent, or Firm* — Lipsitz & McAllister,
LLC

(57) **CLAIM**

The ornamental design for a battery pack, as shown and
described.

DESCRIPTION

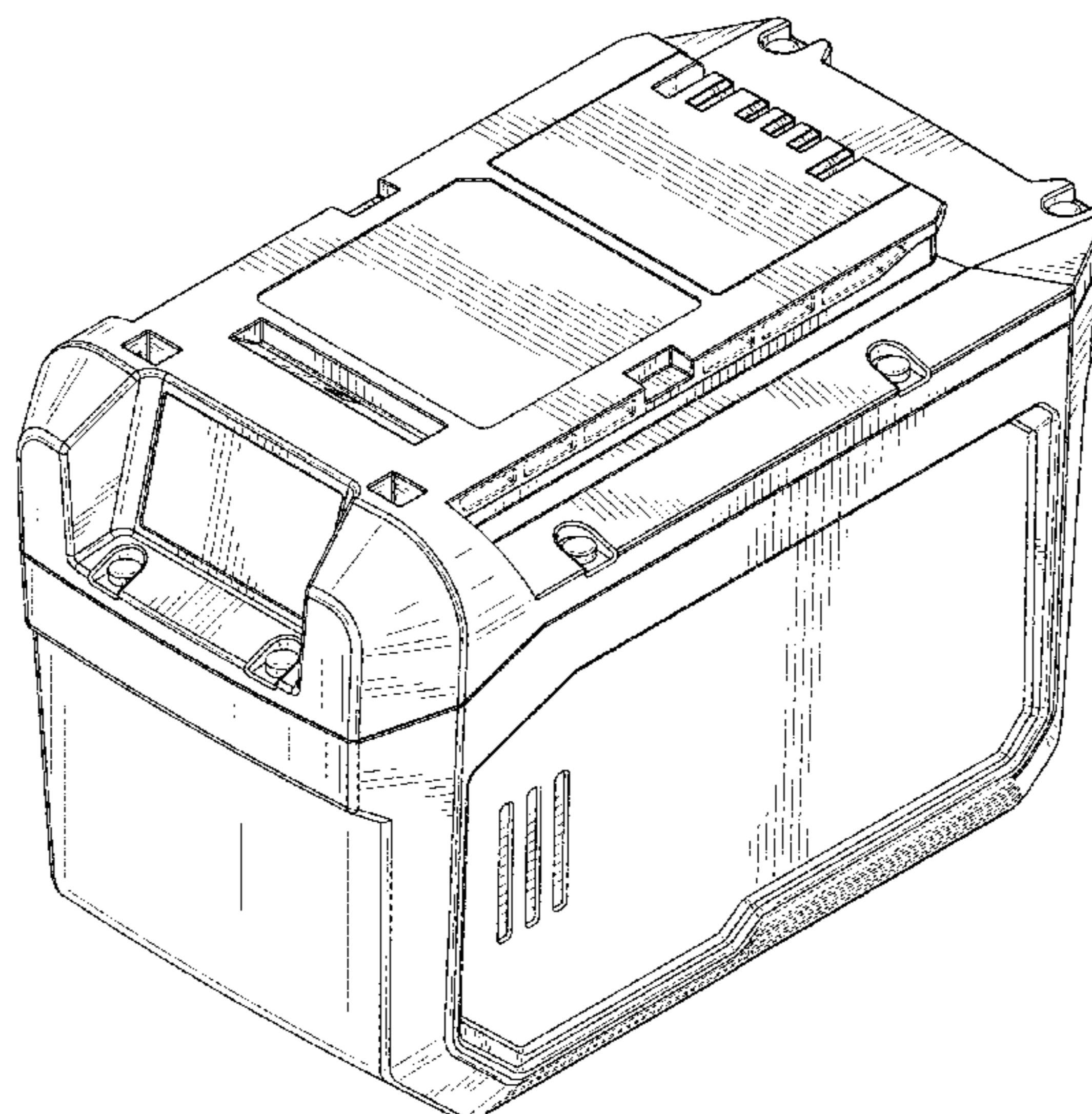
FIG. 1 is a front, top and left side perspective view of a
battery pack showing our new design;
FIG. 2 is a front, top and right side perspective view thereof;
FIG. 3 is a front elevational view thereof;
FIG. 4 is a left side elevational view thereof;
FIG. 5 is a rear elevational view thereof;
FIG. 6 is a right side elevational view thereof; and,
FIG. 7 is a top plan view thereof.
The broken lines present in the figures are included for
purposes of illustrating portions of the article that form no
part of the claimed design.

(56) **References Cited**

U.S. PATENT DOCUMENTS

D252,354 S * 7/1979 Uyeda D13/104
D421,678 S * 3/2000 Levy D3/279
6,300,007 B1 * 10/2001 Klebanov C22C 11/10
420/569

1 Claim, 7 Drawing Sheets



(56)

References Cited

U.S. PATENT DOCUMENTS

2013/0183573 A1* 7/2013 Yoshioka H01M 2/1077
429/159
2015/0171479 A1* 6/2015 Fujita H01M 10/12
429/175

OTHER PUBLICATIONS

Extract from catalog of Alfred Kaercher GmbH & Co. KG, "Programme 2011 Kaercher Professional (Commercial)", cover, pp. 117, 147, 176, 197, 228 and last page (Feb. 2011).

Extract from catalog of Alfred Kaercher GmbH & Co. KG, "Programme 2012 Kaercher Home and Garden", cover, p. 40 and last page (Oct. 2011).

Extract from catalog of Alfred Kaercher GmbH & Co. KG, "Programme 2011 Kaercher Professional (Professional, Industrial)", cover, pp. 17, 173, 176 and last page (Feb. 2011).

Extract from catalog of Alfred Kaercher GmbH & Co. KG, "Programme 2012 Kaercher Professional (Professional, Industrial)", cover, pp. 93, 113, 181, 184 and last page (Nov. 2011).

Extract from catalog of Alfred Kaercher GmbH & Co. KG, "Programme 2013 Kaercher Professional", cover, pp. 149, 223, 225, 269, 278, 315, 335, 373, 378, 379, 389, 391 and last page (Nov. 2012).

Extract from catalog of Alfred Kaercher GmbH & Co. KG, "Programme 2014 Kaercher Professional", cover, pp. 195, 206, 243, 297, 301, 305, 309, 319, 323, 378, 379, 381, 383, 385, 453, 458, 459, 475 and last page (Oct. 2013).

Extract from catalog of Alfred Kaercher GmbH & Co. KG, "Programme 2015 Professional", cover, pp. 295 308, 353, 391, 403, 407, 411, 415, 422, 423, 478, 479, 481, 483, 485, 541, 557, 559 and last page (Nov. 2014).

Extract from catalog of Alfred Kaercher GmbH & Co. KG, "Programme 2013/2014 Kaercher Professional (60 Hz)", cover, pp. 4, 85, 125, 134, 171, 189, 213, 256, 257, 259, 261, 283, 317, 323, 337 and last page (Aug. 2013).

Extract from catalog of Alfred Kaercher GmbH & Co. KG, "Programme 2014/2015 Kaercher Professional (60 Hz)", cover, pp. 175, 188, 225, 271, 281, 285, 289, 297, 345, 347, 349, 361, 445, 450, 451 and last page (May 2014).

* cited by examiner

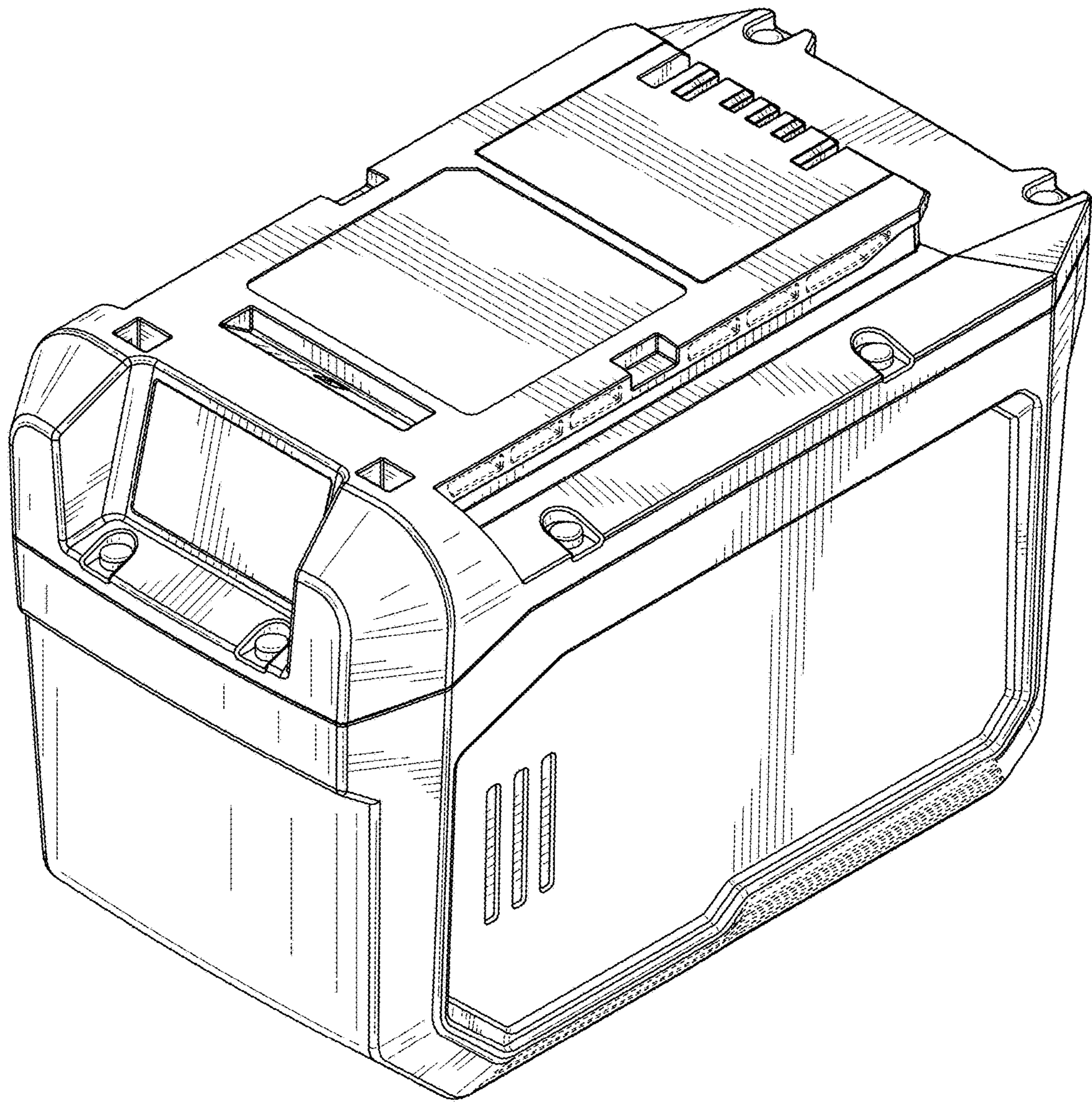


FIG. 1

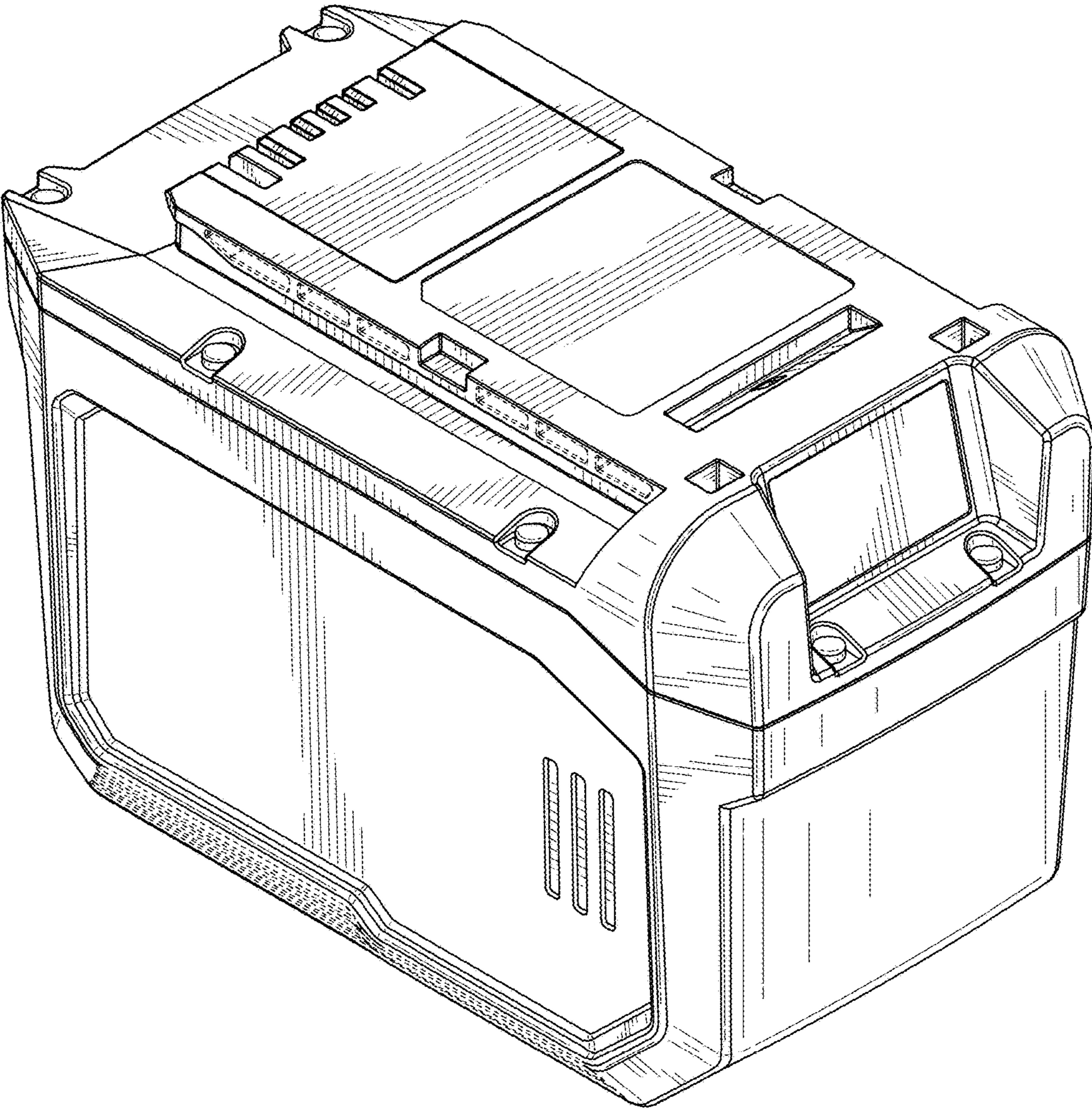


FIG. 2

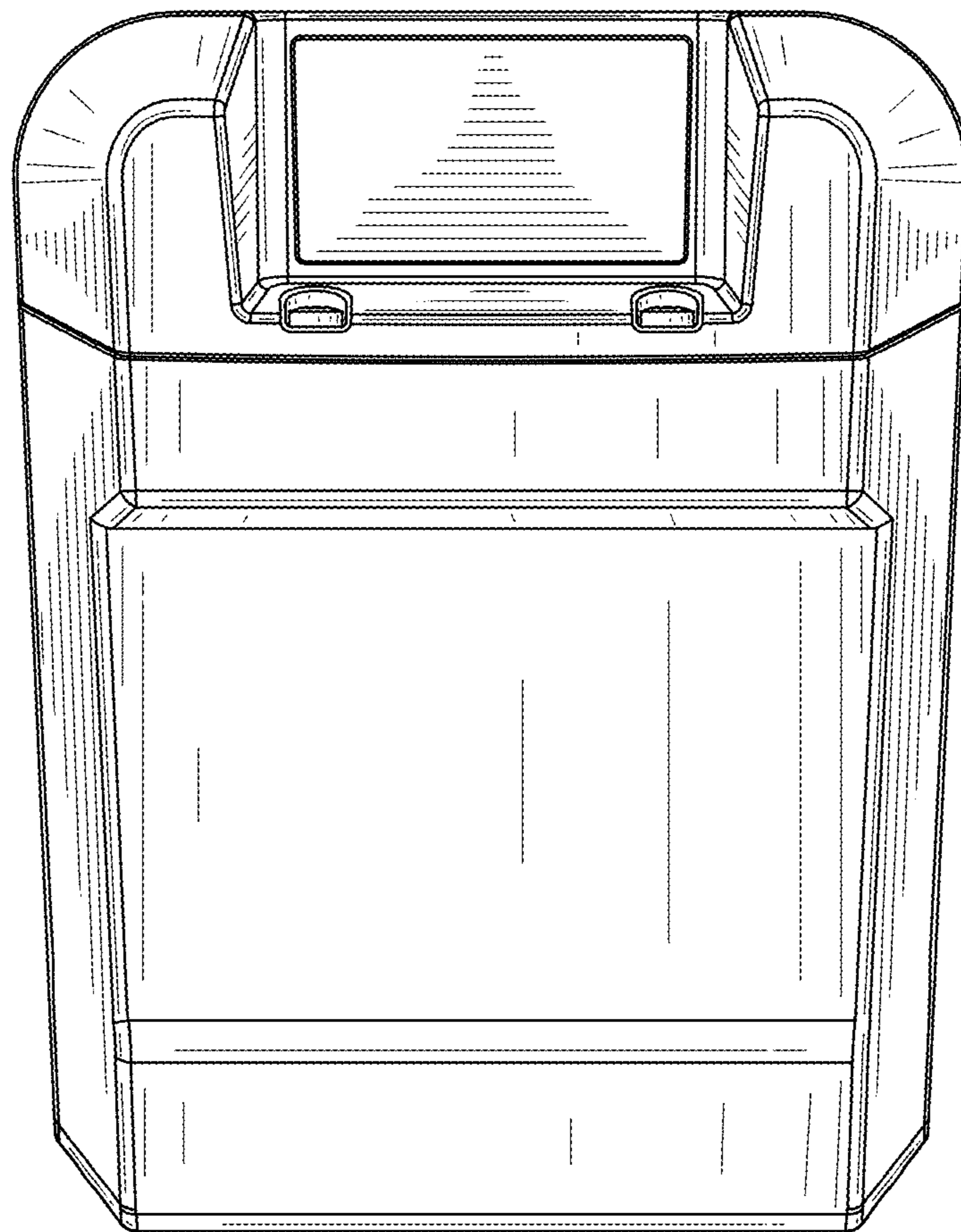


FIG. 3

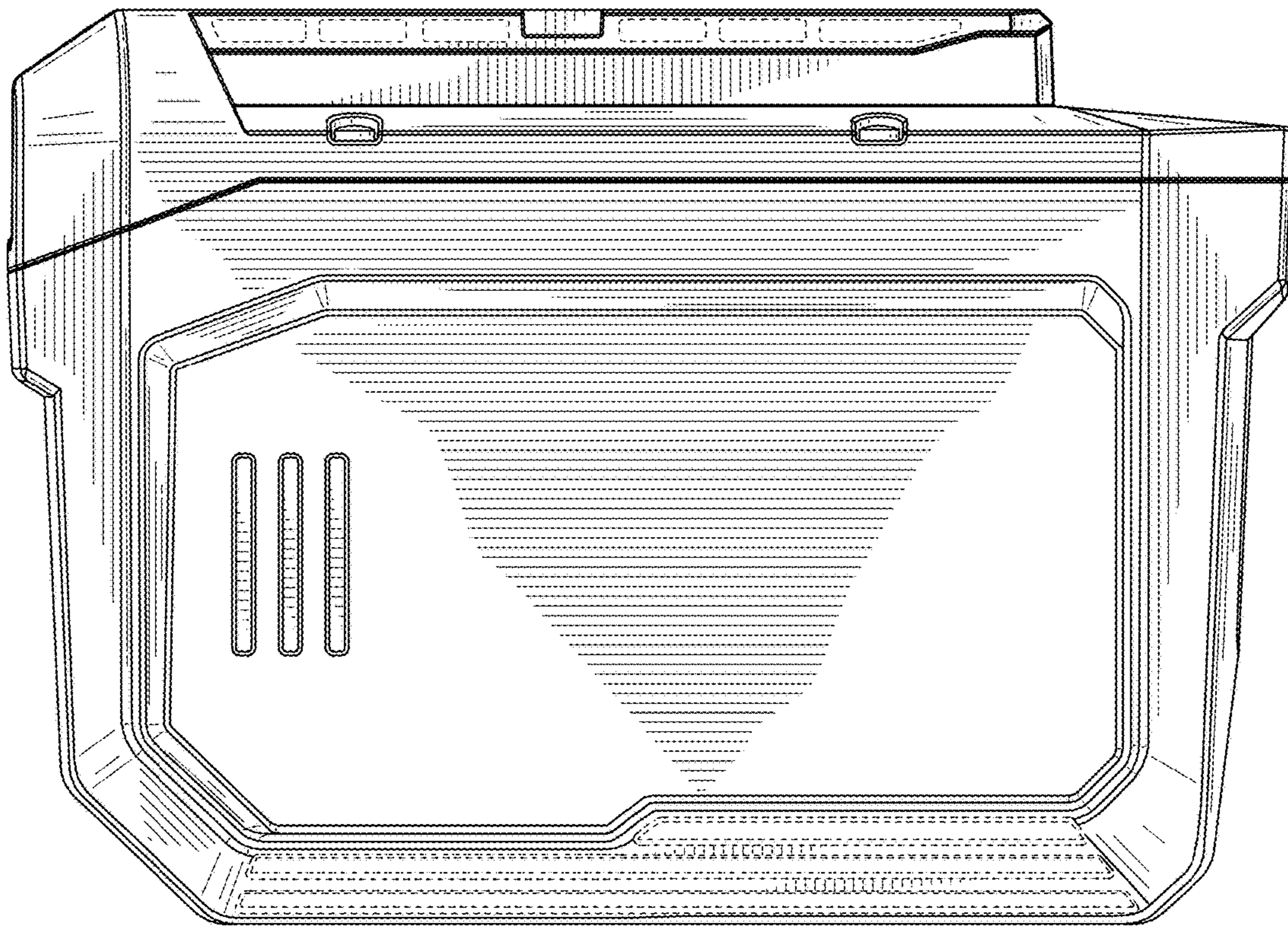


FIG. 4

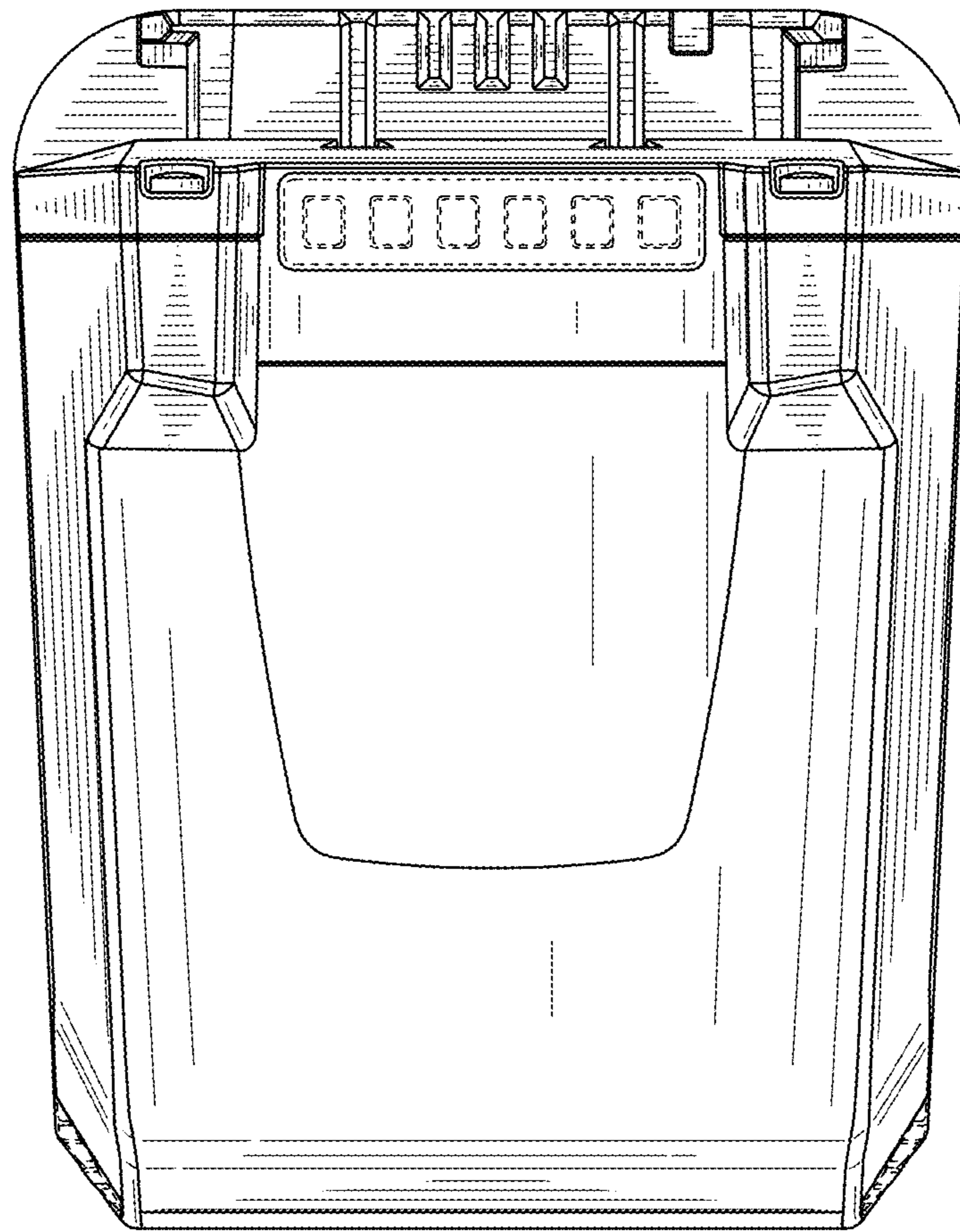


FIG. 5

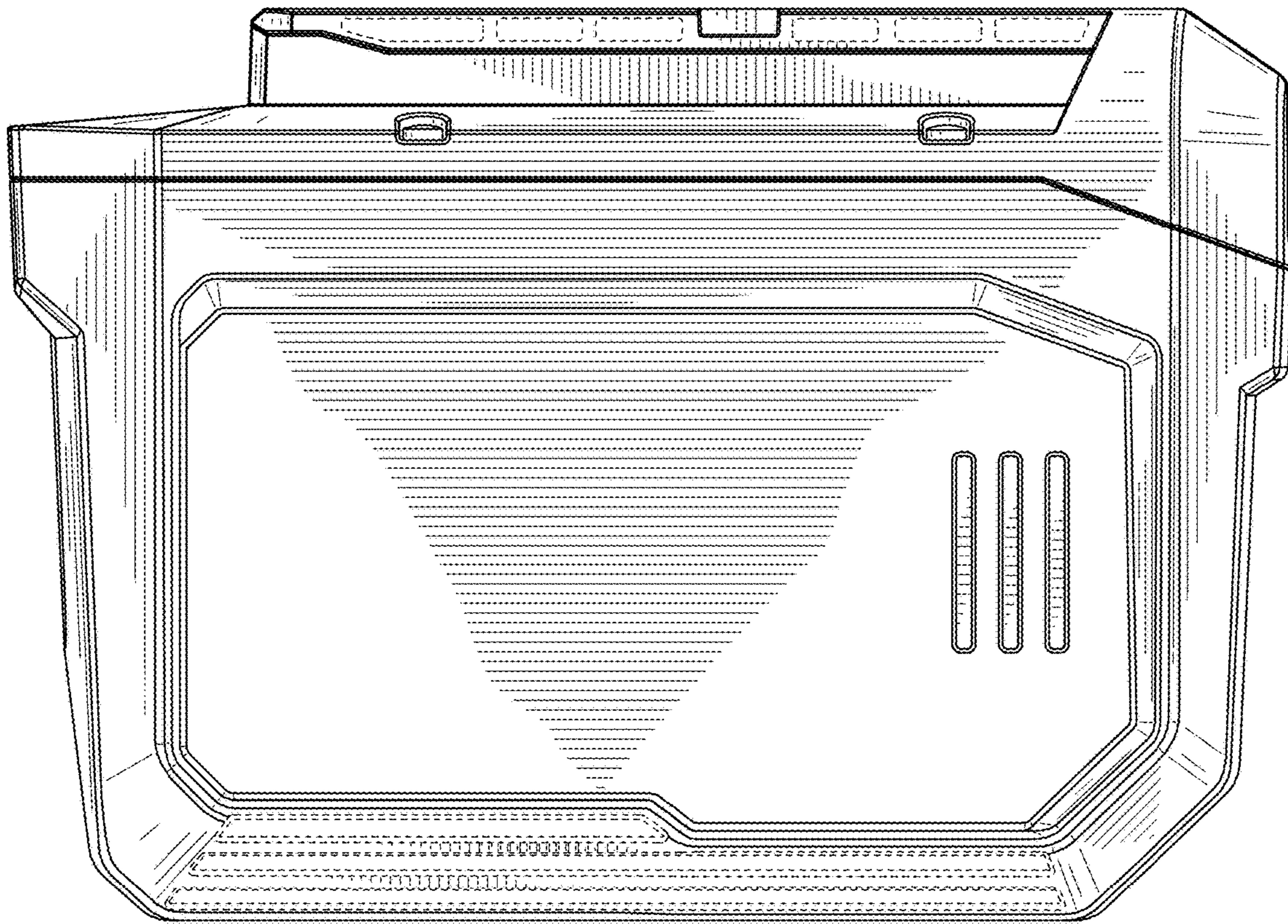


FIG. 6

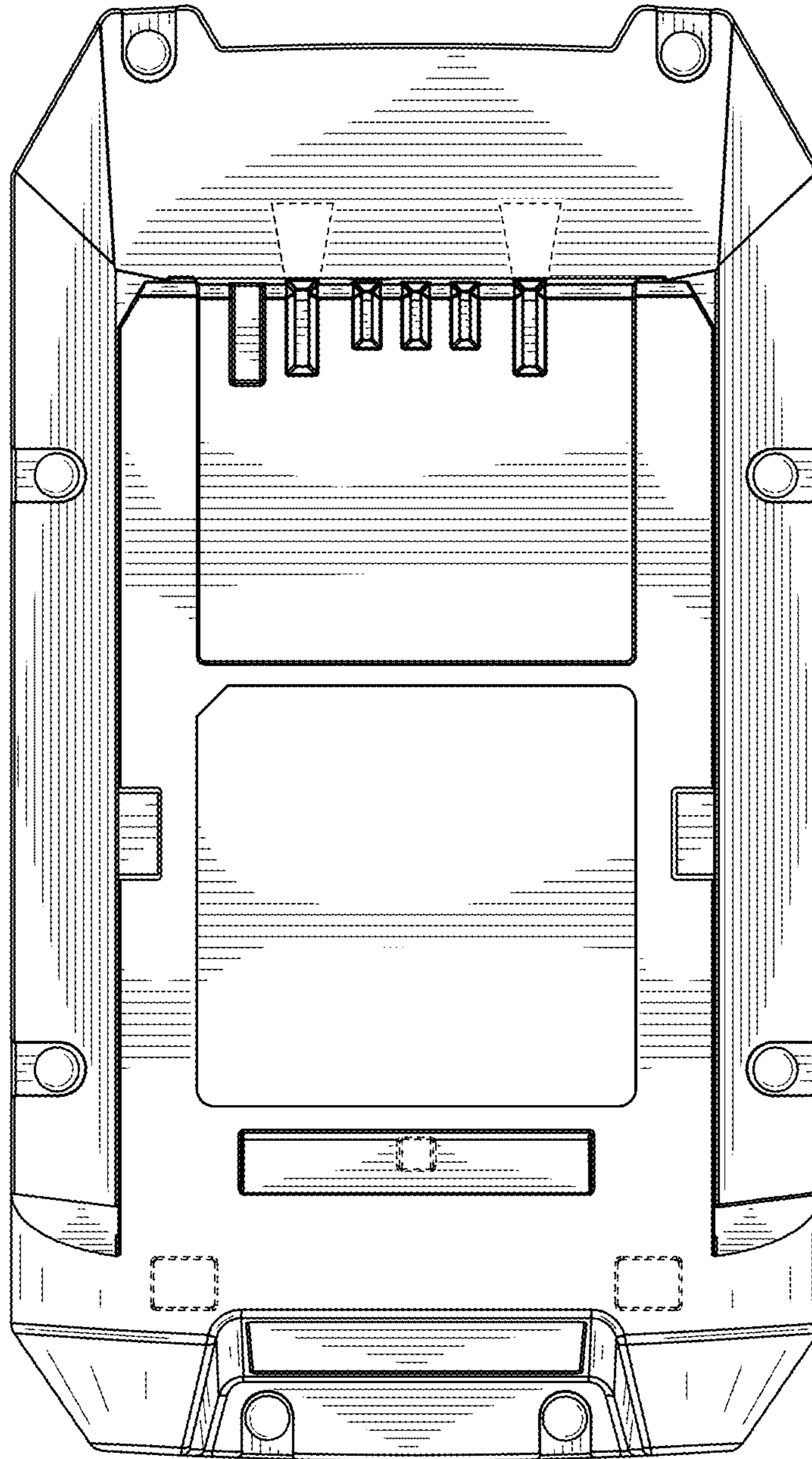


FIG. 7