



US00D803776S

(12) **United States Design Patent**  
**Tononishi**

(10) **Patent No.:** **US D803,776 S**

(45) **Date of Patent:** **\*\* Nov. 28, 2017**

(54) **RECHARGEABLE BATTERY**

(71) Applicant: **GS Yuasa International Ltd.**, Kyoto (JP)

(72) Inventor: **Masamitsu Tononishi**, Kyoto (JP)

(73) Assignee: **GS Yuasa International Ltd.**, Kyoto (JP)

(\*\*) Term: **15 Years**

(21) Appl. No.: **29/549,106**

(22) Filed: **Dec. 18, 2015**

(30) **Foreign Application Priority Data**

Jul. 6, 2015 (JP) ..... 2015-014914  
Jul. 6, 2015 (JP) ..... 2015-014915  
Jul. 6, 2015 (JP) ..... 2015-014916

(51) **LOC (10) Cl.** ..... **13-02**

(52) **U.S. Cl.**  
USPC ..... **D13/103**

(58) **Field of Classification Search**

USPC ..... D13/102-110, 118-119, 184, 199;  
D14/356, 432, 251, 253, 434,  
D14/203.3-203.8, 217, 248, 250, 252,  
D14/440, 450, 496; D3/201, 218, 269,  
D3/301, 273, 303  
CPC ..... Y02E 60/12; Y02E 60/122; Y02E 60/124;  
Y02E 60/50; Y02E 60/10; H01M 2/02;  
H01M 2/022; H01M 2/0202; H01M  
2/0207; H01M 2/0212; H01M 2/1061;  
H01M 2/1022; H01M 2/1055; H01M  
2/1066; H01M 2/105; H01M 2/204;  
H01M 2/20; H01M 2/202; H01M 2/206;  
H01M 10/44; H01M 10/46; H01M  
10/465; H01M 10/482; H01M 10/4257;  
H01M 10/0436; H01M 10/48; H01M  
10/425; H01M 2200/30; H01M 2250/30;  
H01M 2250/40; H02J 7/00; H02J 7/0003;  
H02J 7/0011; H02J 7/0013; H02J 7/0054;

H02J 7/0055; H02J 7/0057; H02J 7/025;  
H02J 7/0042; H02J 7/0044; H02J 7/0045;  
H02J 2007/0062; H01F 38/14; H01R  
13/6675

See application file for complete search history.

(56) **References Cited**

U.S. PATENT DOCUMENTS

D314,176 S \* 1/1991 Weber ..... D13/133  
5,681,178 A \* 10/1997 Kunkle ..... H01R 13/641  
439/352  
D475,014 S \* 5/2003 Kano ..... D13/133  
D765,030 S \* 8/2016 Tyler ..... D13/119

(Continued)

*Primary Examiner* — Rosemary K Tarcza

*Assistant Examiner* — Christy Nemeth

(74) *Attorney, Agent, or Firm* — Capitol City TechLaw

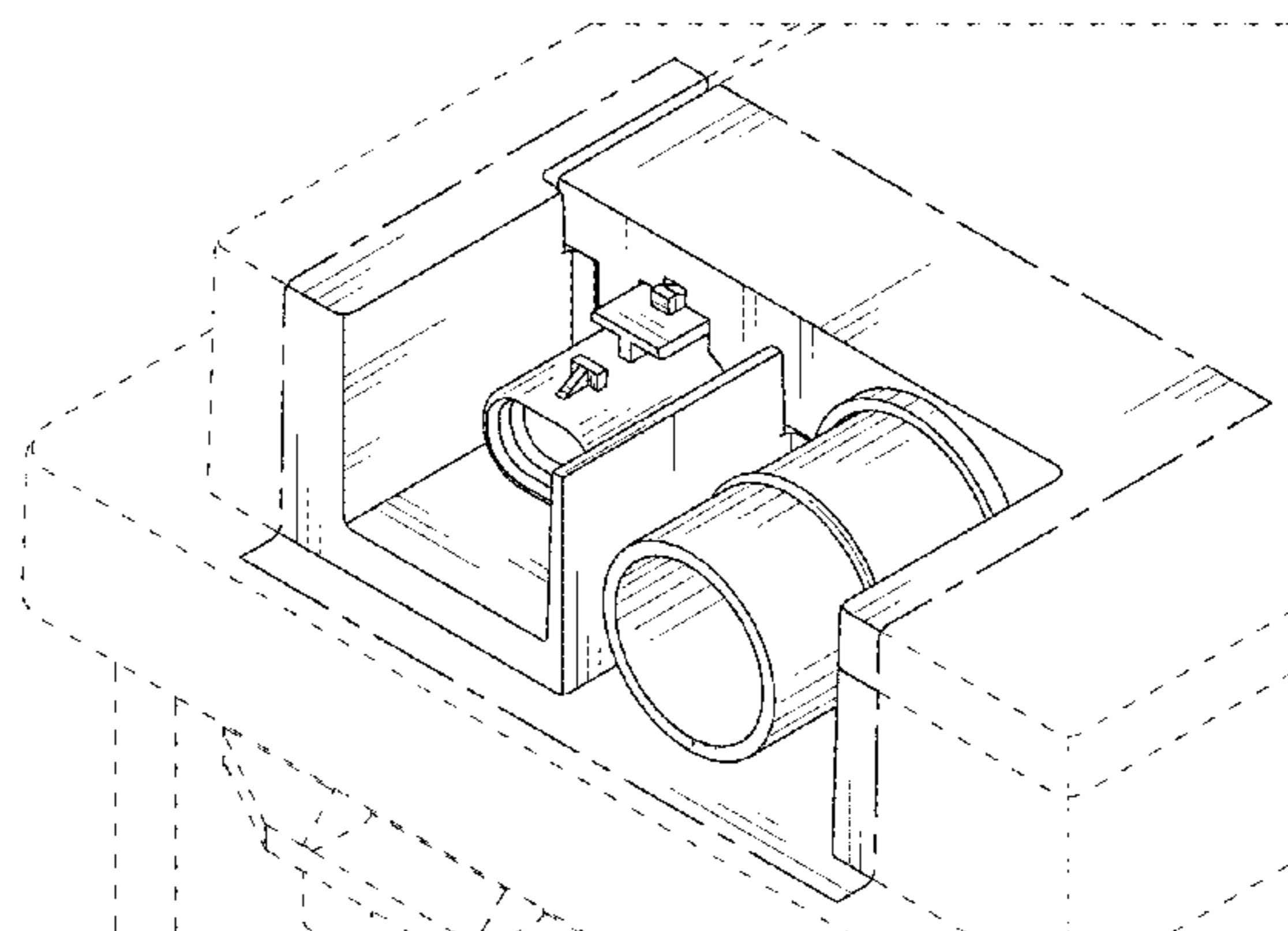
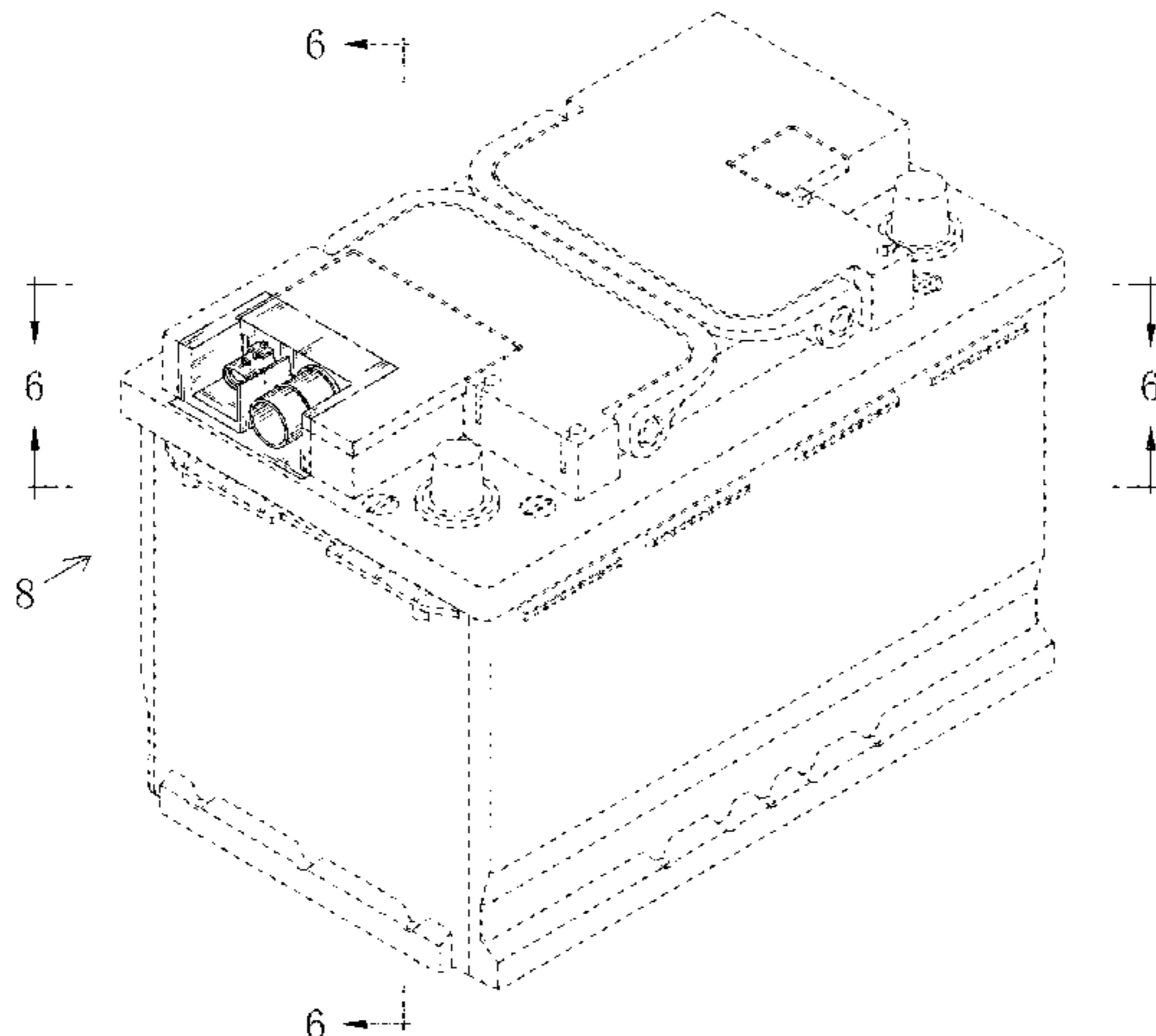
(57) **CLAIM**

The ornamental design for a rechargeable battery, as shown and described.

**DESCRIPTION**

FIG. 1 is a front, top, and left side perspective view of a rechargeable battery showing my new design;  
FIG. 2 is a front view thereof;  
FIG. 3 is a rear view thereof;  
FIG. 4 is a top view thereof;  
FIG. 5 is a right side view thereof;  
FIG. 6 is an enlarged partial view of the rechargeable battery in the area of arrow lines 6-6 of FIG. 1;  
FIG. 7 is an enlarged partial view of the rechargeable battery in the area of arrow lines 7-7 of FIG. 4; and,  
FIG. 8 is an enlarged partial view of the rechargeable battery in the direction of reference arrow 8 of FIG. 1.  
The dashed broken lines shown in the figures illustrate portions of the rechargeable battery that form no part of the claimed design, and the dot-dash broken lines shown in the figures represent unclaimed boundaries.

**1 Claim, 8 Drawing Sheets**



(56)

**References Cited**

U.S. PATENT DOCUMENTS

2008/0050645 A1\* 2/2008 Kai ..... B60L 11/1861  
429/61  
2013/0183544 A1\* 7/2013 Yoshioka ..... H01M 2/1077  
429/7  
2014/0141306 A1\* 5/2014 Kusunoki ..... H01M 2/1016  
429/98  
2014/0184898 A1\* 7/2014 Overliese ..... H01R 13/62905  
348/372  
2016/0036029 A1\* 2/2016 Tononishi ..... H01M 2/1077  
429/121

\* cited by examiner

Fig.1

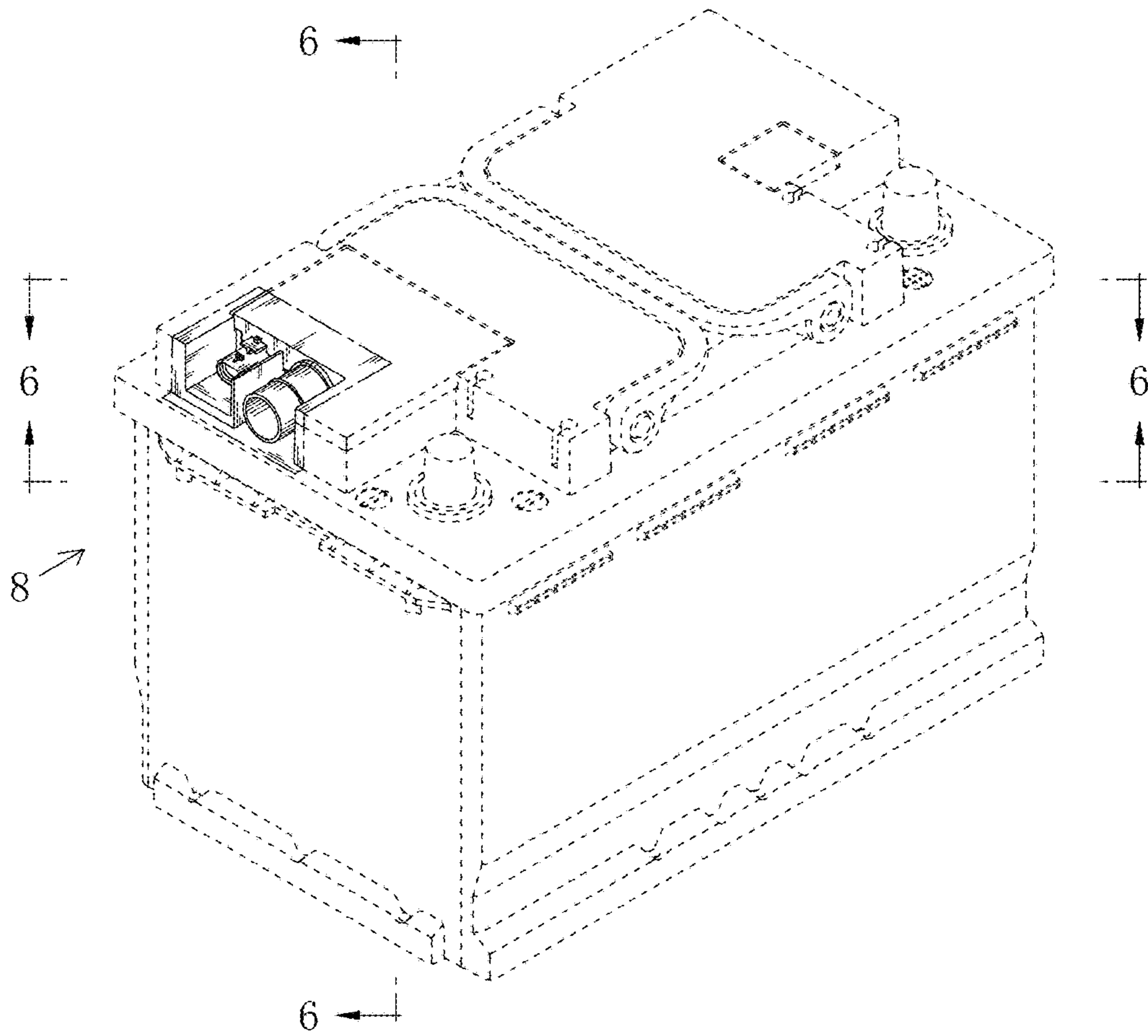


Fig.2

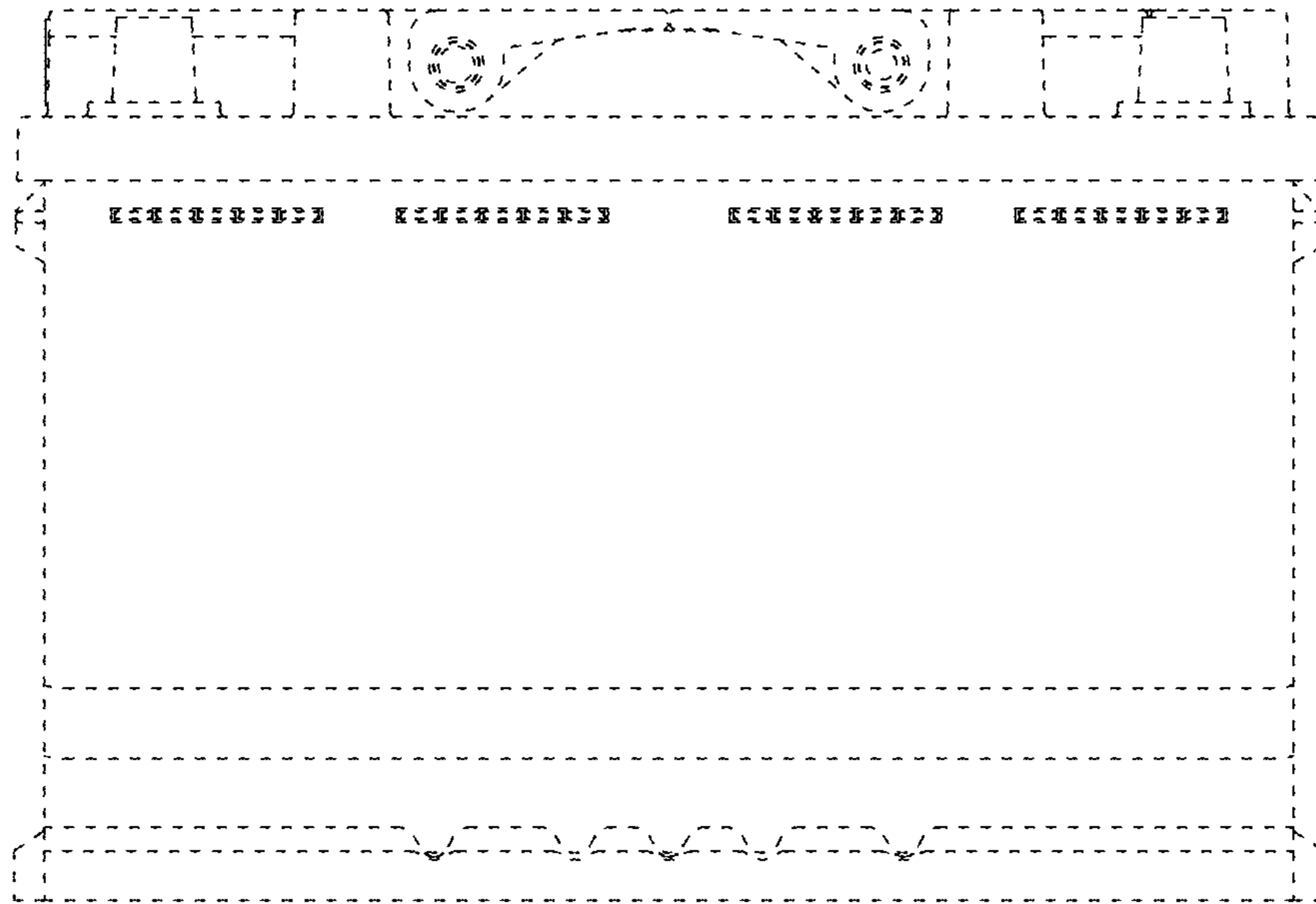


Fig.3

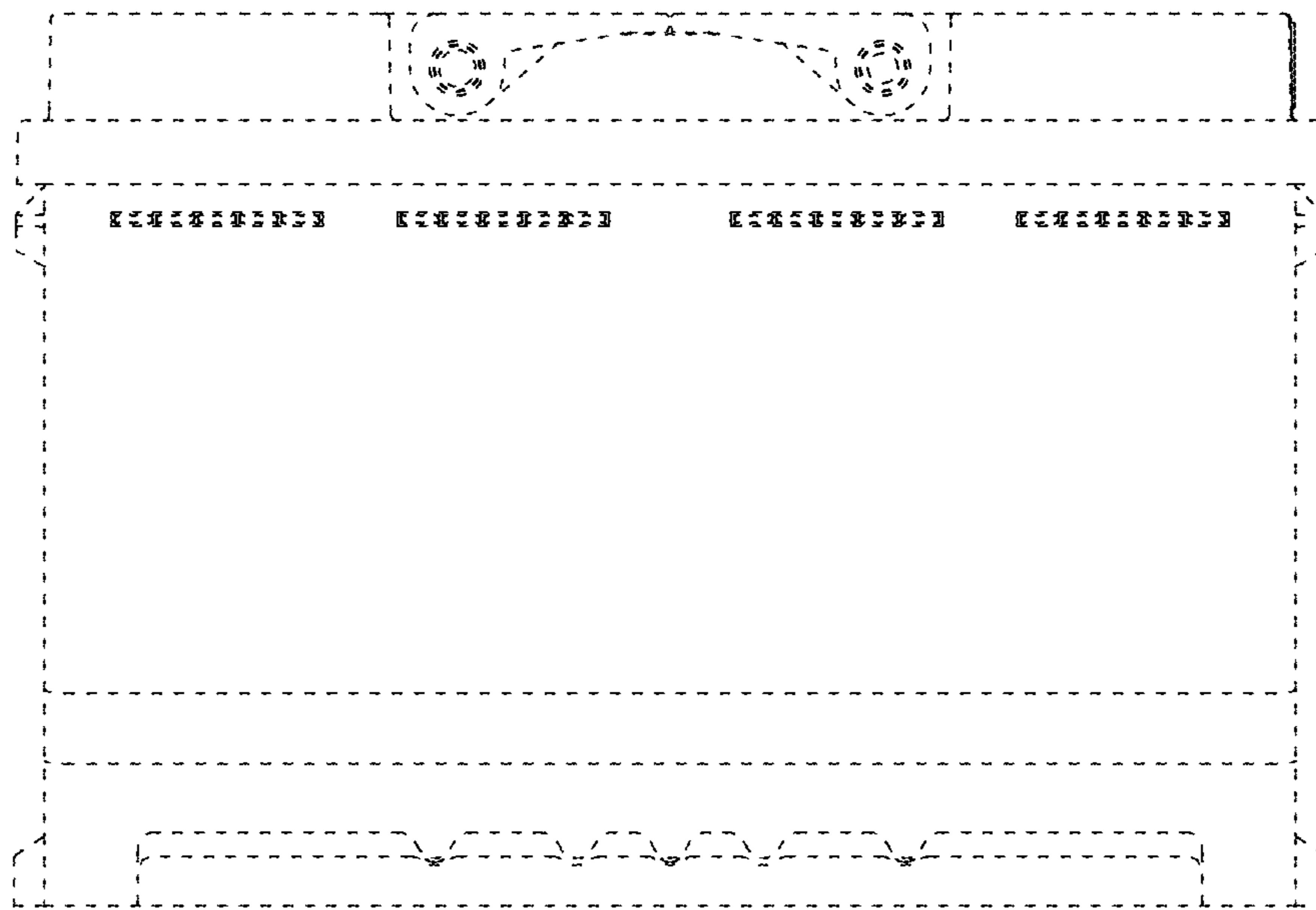


Fig.4

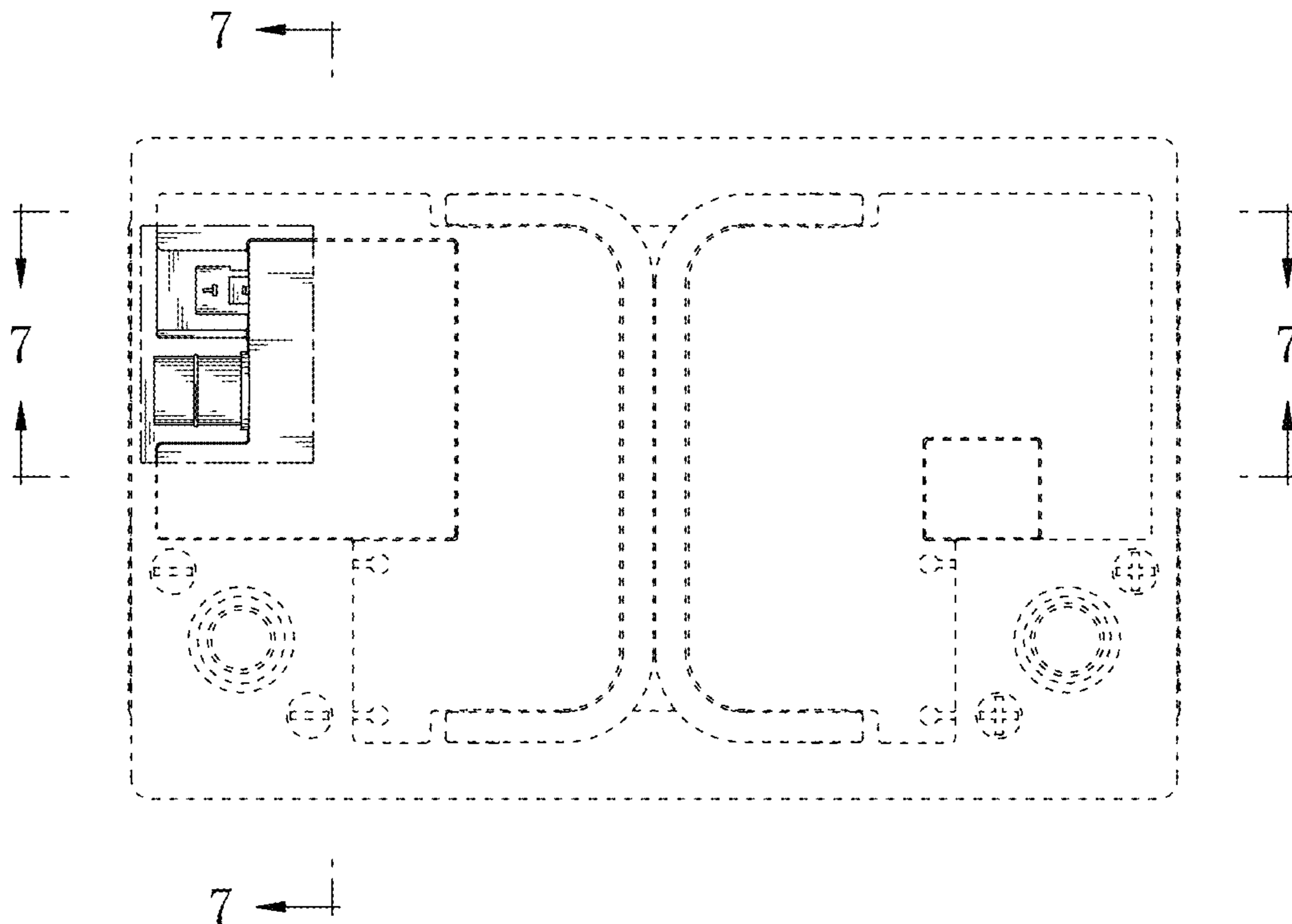


Fig.5

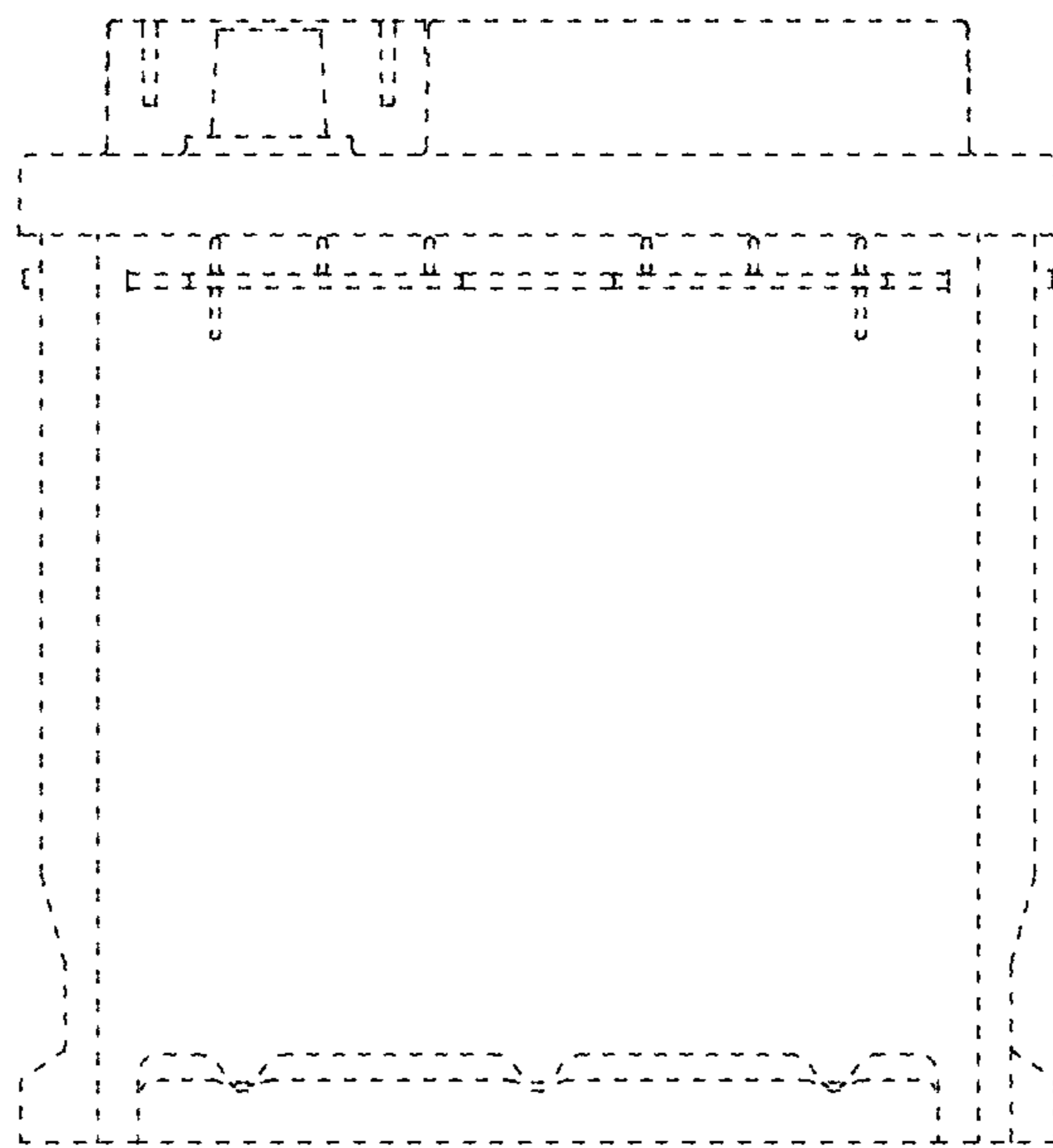


Fig.6

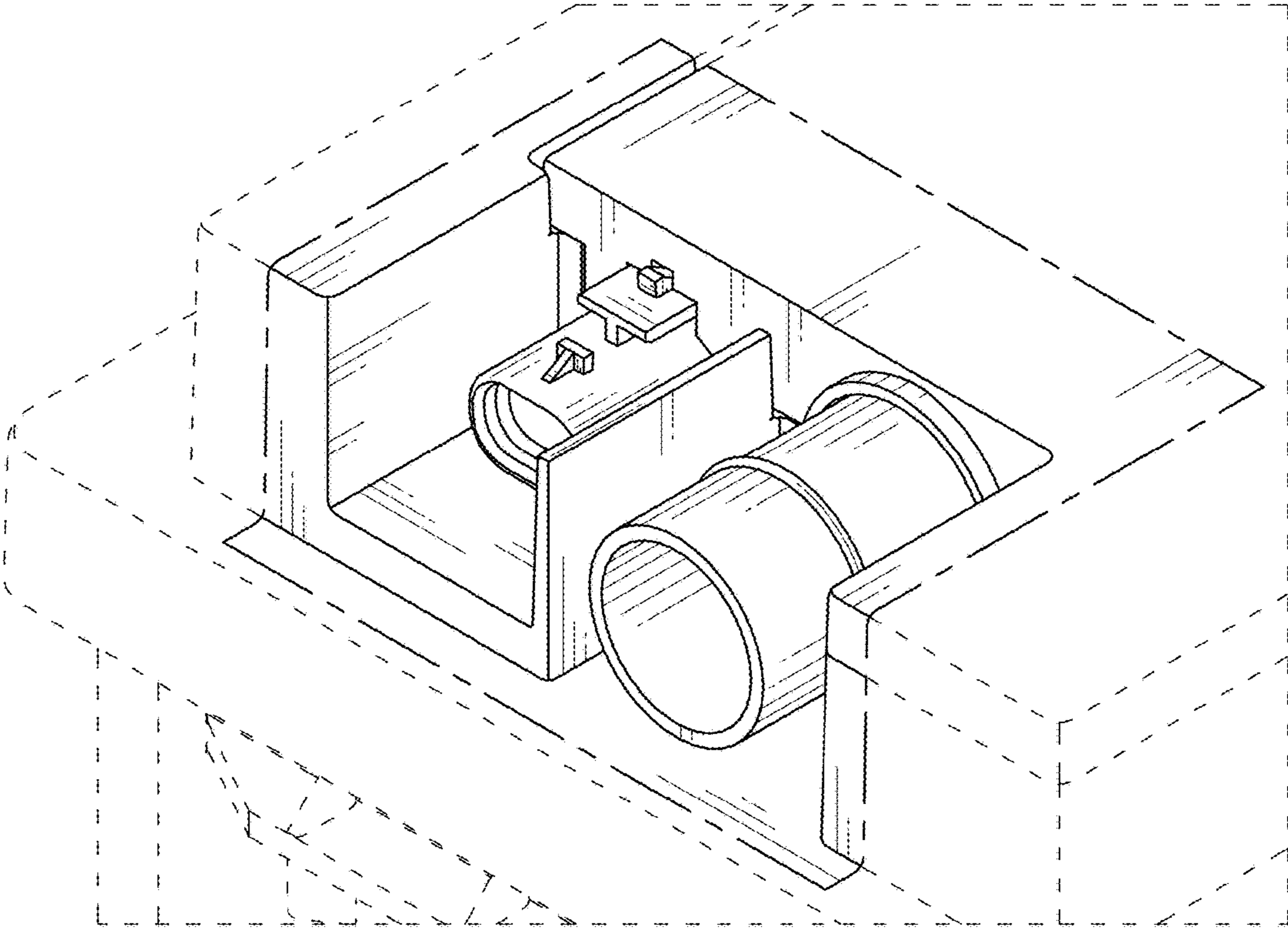




Fig.7

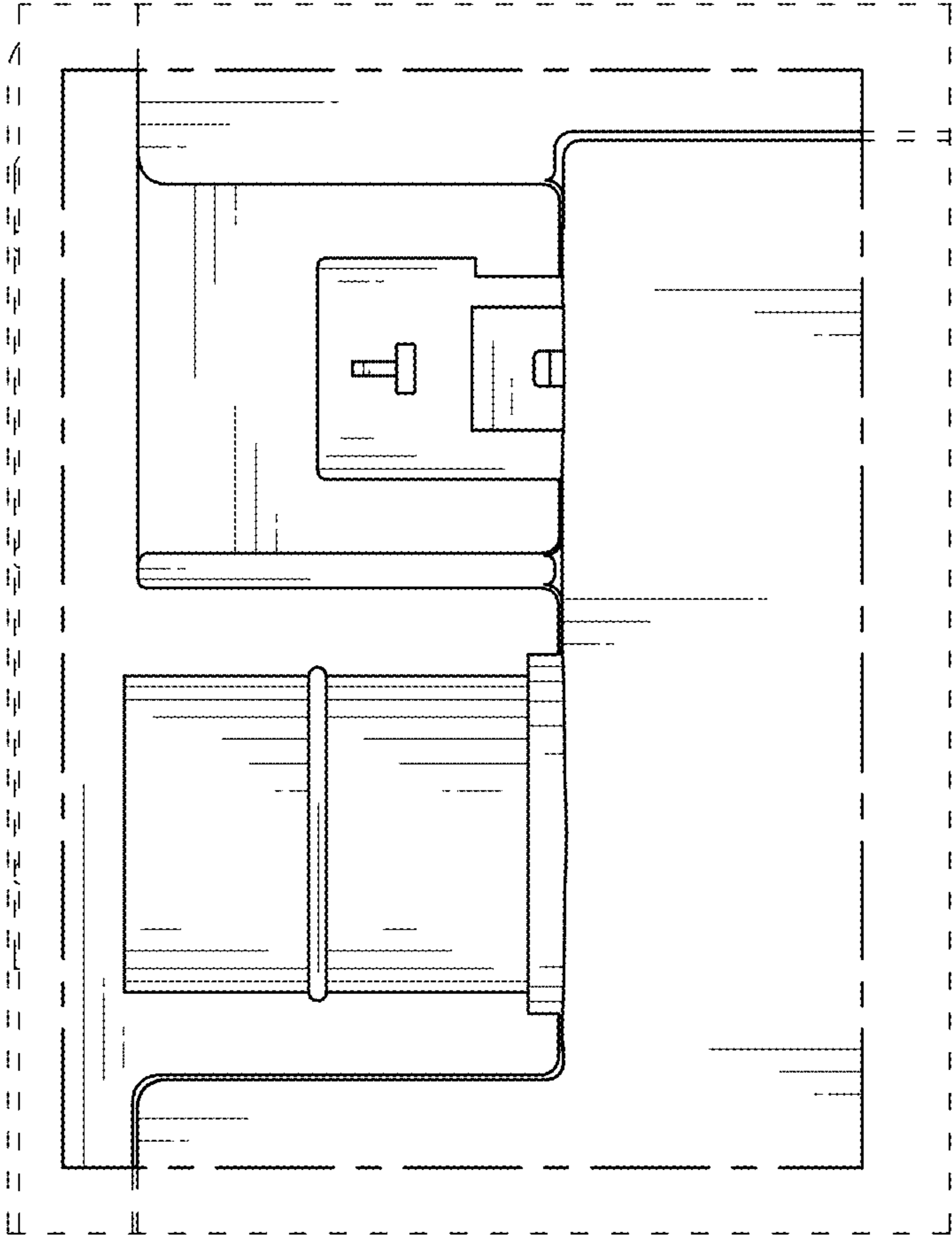


Fig.8

