



US00D803770S

(12) **United States Design Patent**
Hayashi

(10) **Patent No.:** **US D803,770 S**

(45) **Date of Patent:** **** Nov. 28, 2017**

(54) **TIRE TREAD**

(71) Applicant: **BRIDGESTONE CORPORATION**,
Tokyo (JP)

(72) Inventor: **Shintaro Hayashi**, Tokyo (JP)

(73) Assignee: **BRIDGESTONE CORPORATION**,
Chuo-ku, Tokyo (JP)

(**) Term: **15 Years**

(21) Appl. No.: **29/570,285**

(22) Filed: **Jul. 7, 2016**

(30) **Foreign Application Priority Data**

Jan. 8, 2016 (JP) 2016-000351

(51) **LOC (10) Cl.** **12-15**

(52) **U.S. Cl.**
USPC **D12/590**

(58) **Field of Classification Search**
USPC D12/515, 517, 521, 523, 547, 549, 561,
D12/567, 582, 584, 597, 603, 604
CPC B60C 11/0304; B60C 11/0306; B60C
2011/0344
See application file for complete search history.

(56) **References Cited**

U.S. PATENT DOCUMENTS

D455,379 S * 4/2002 Guspodin D12/584
D585,816 S * 2/2009 Campana D12/584

D729,726 S * 5/2015 Shimizu D12/567
D741,791 S * 10/2015 Severyn D12/584
D764,391 S * 8/2016 Shen D12/584
D782,964 S * 4/2017 Fursthos D12/584
2015/0210121 A1* 7/2015 Sanae B60C 11/0304
152/209.8

FOREIGN PATENT DOCUMENTS

KR 30-0726324 S 1/2014

* cited by examiner

Primary Examiner — Robert M Spear

(74) *Attorney, Agent, or Firm* — Sughrue Mion, PLLC

(57) **CLAIM**

The ornamental design for a tire tread, as shown and described.

DESCRIPTION

FIG. 1 is a perspective view of a tire tread showing my design;
FIG. 2 is a front view thereof;
FIG. 3 is a top view thereof;
FIG. 4 is a right side view thereof;
FIG. 5 is a fragmentary enlarged front view showing the details of the tread thereof;
FIG. 6 is a section view taken along line 6-6 in FIG. 5;
FIG. 7 is a section view taken along line 7-7 in FIG. 5; and,
FIG. 8 is a section view taken along line 8-8 in FIG. 5.
The broken lines are used to show environment, and thus form no part of the claimed design.

1 Claim, 8 Drawing Sheets

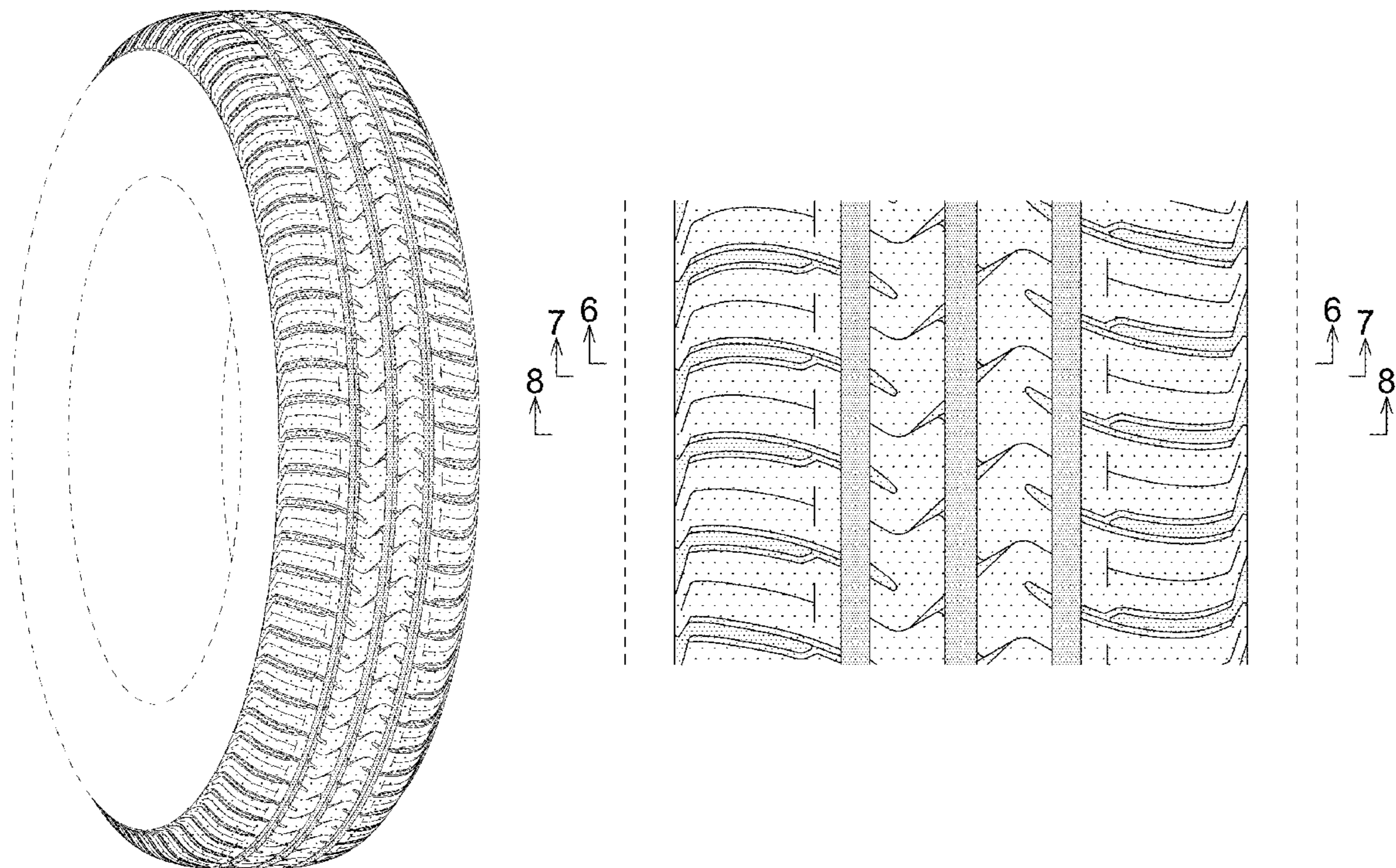


FIG. 1

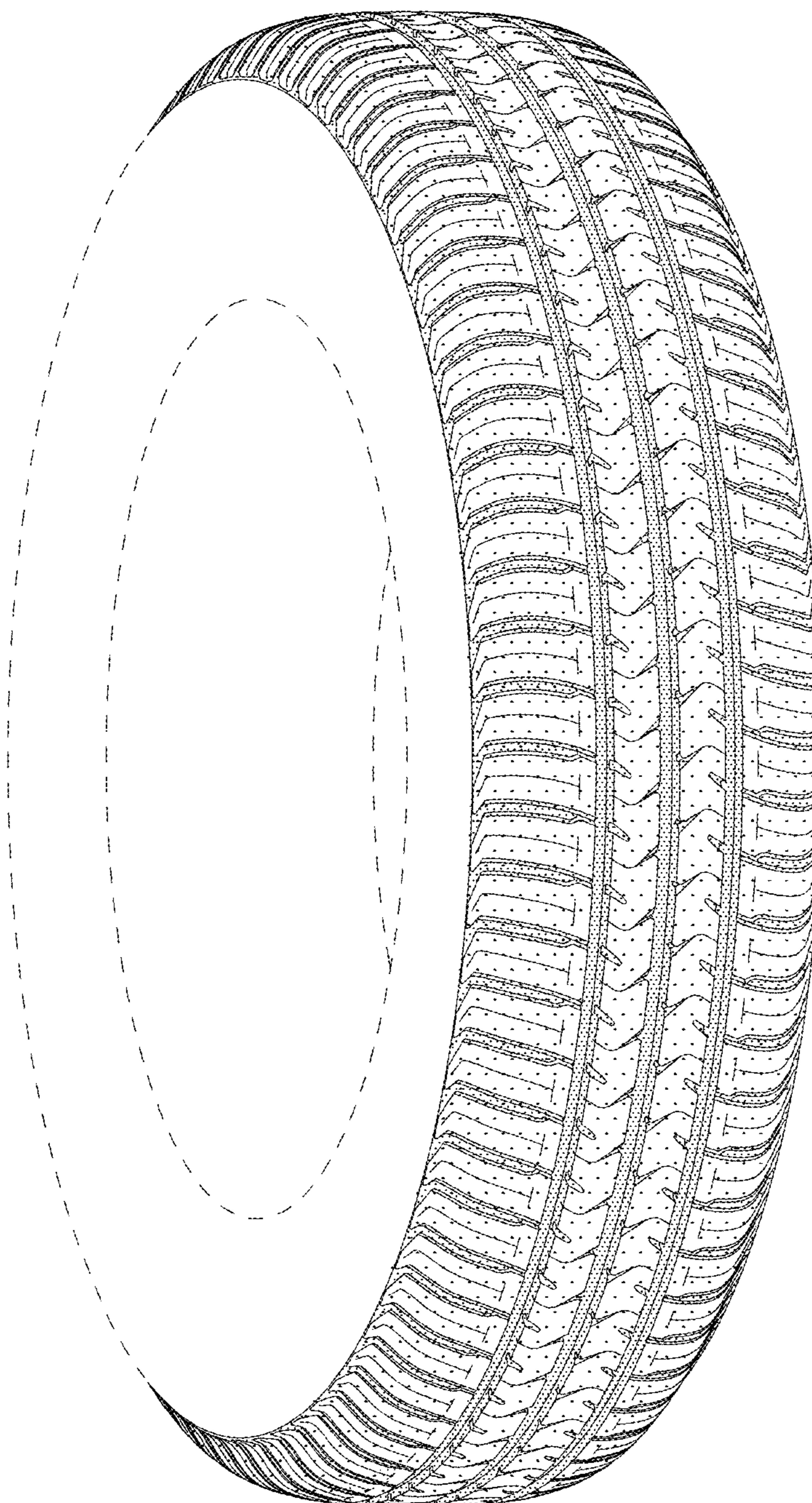


FIG. 2

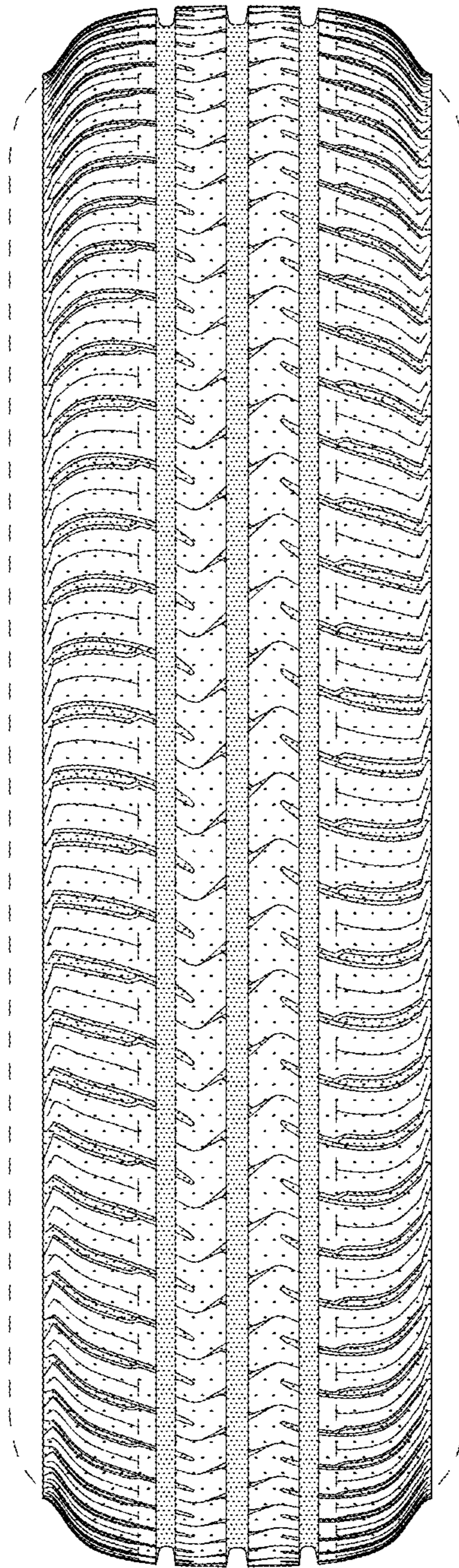


FIG. 3

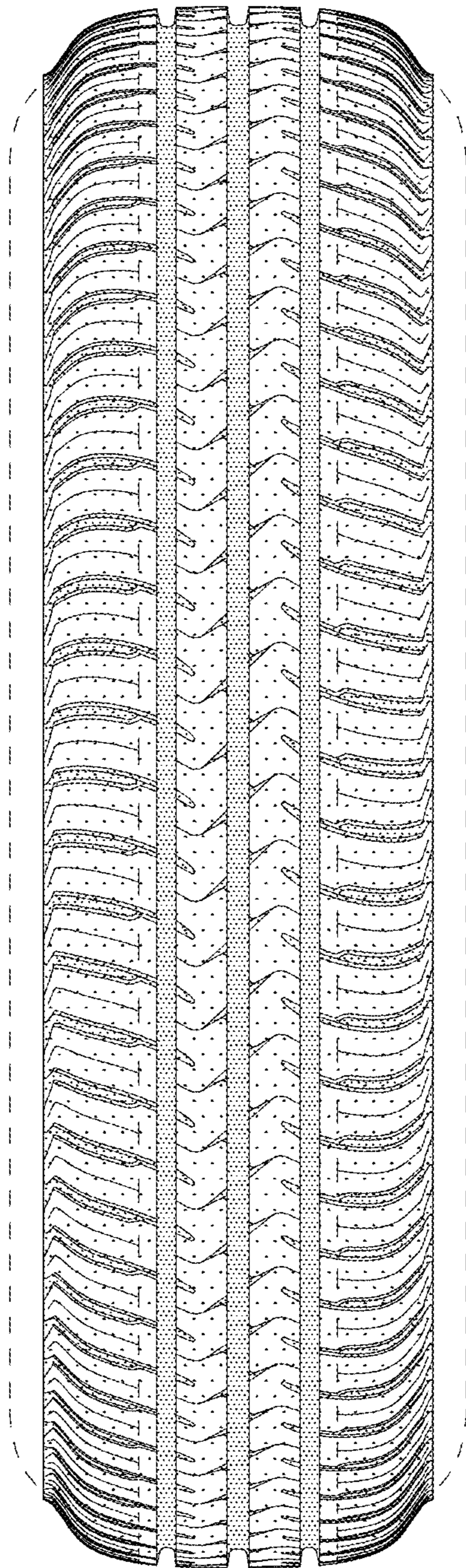


FIG. 4

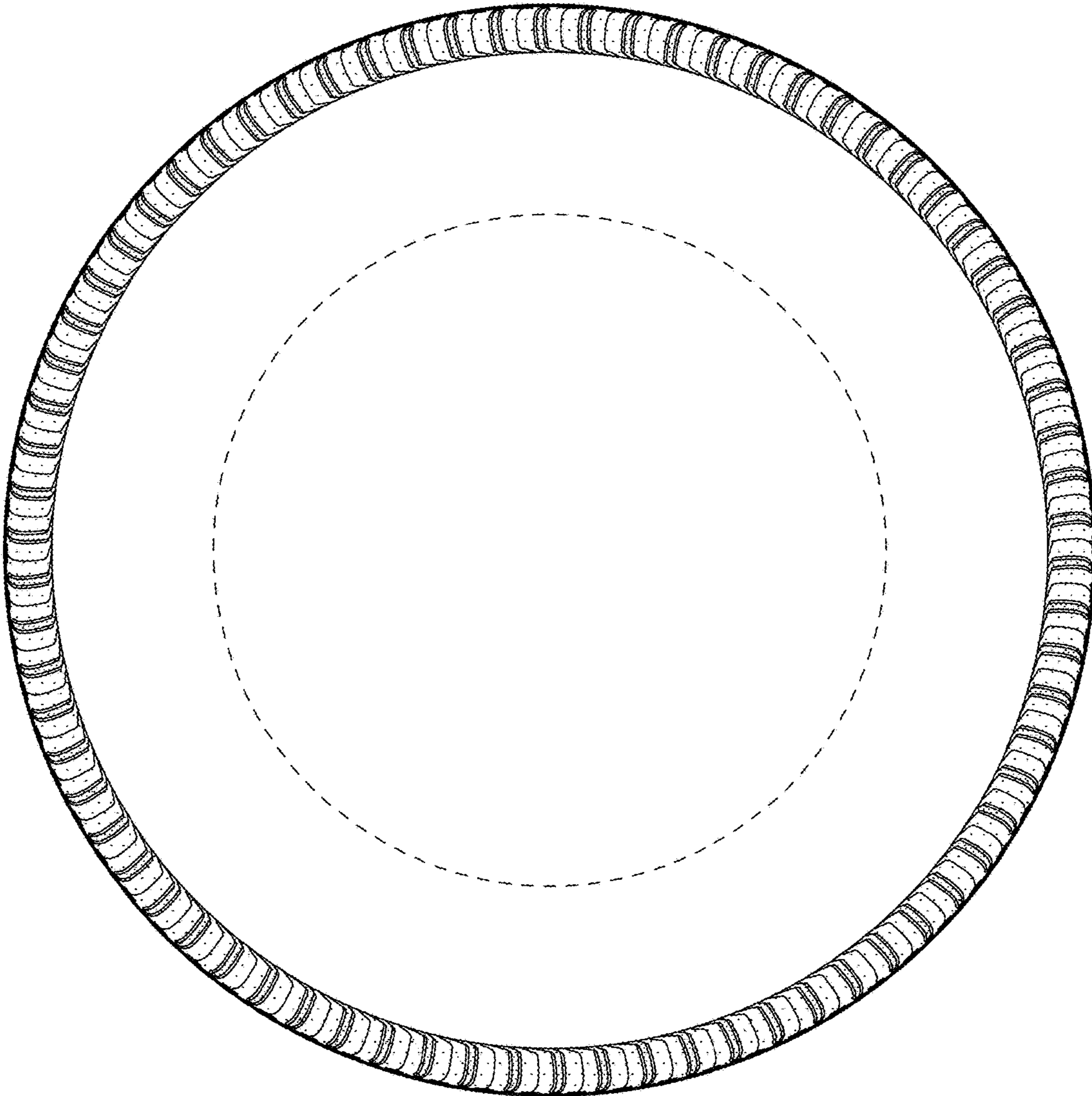


FIG. 5

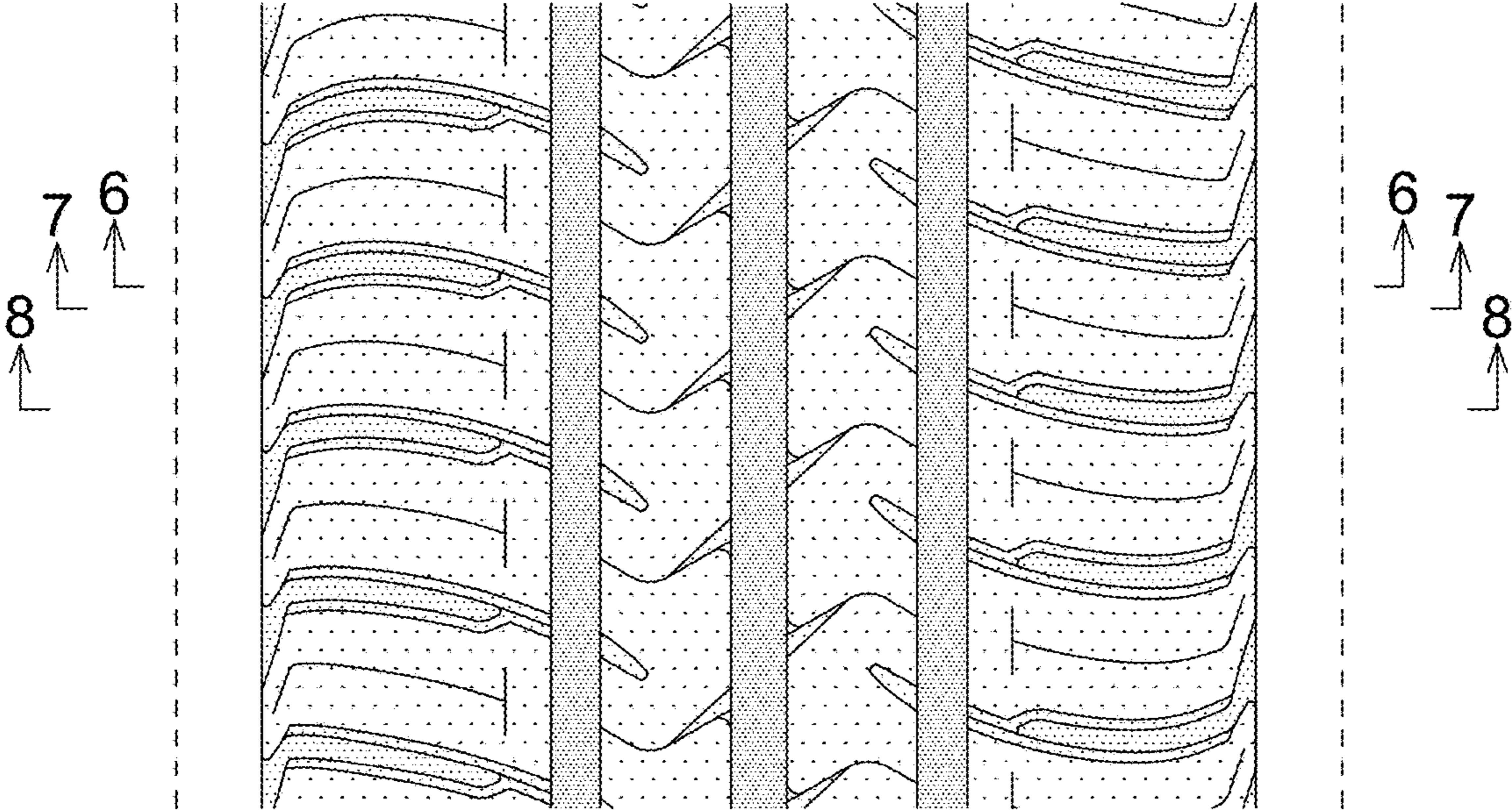


FIG. 6

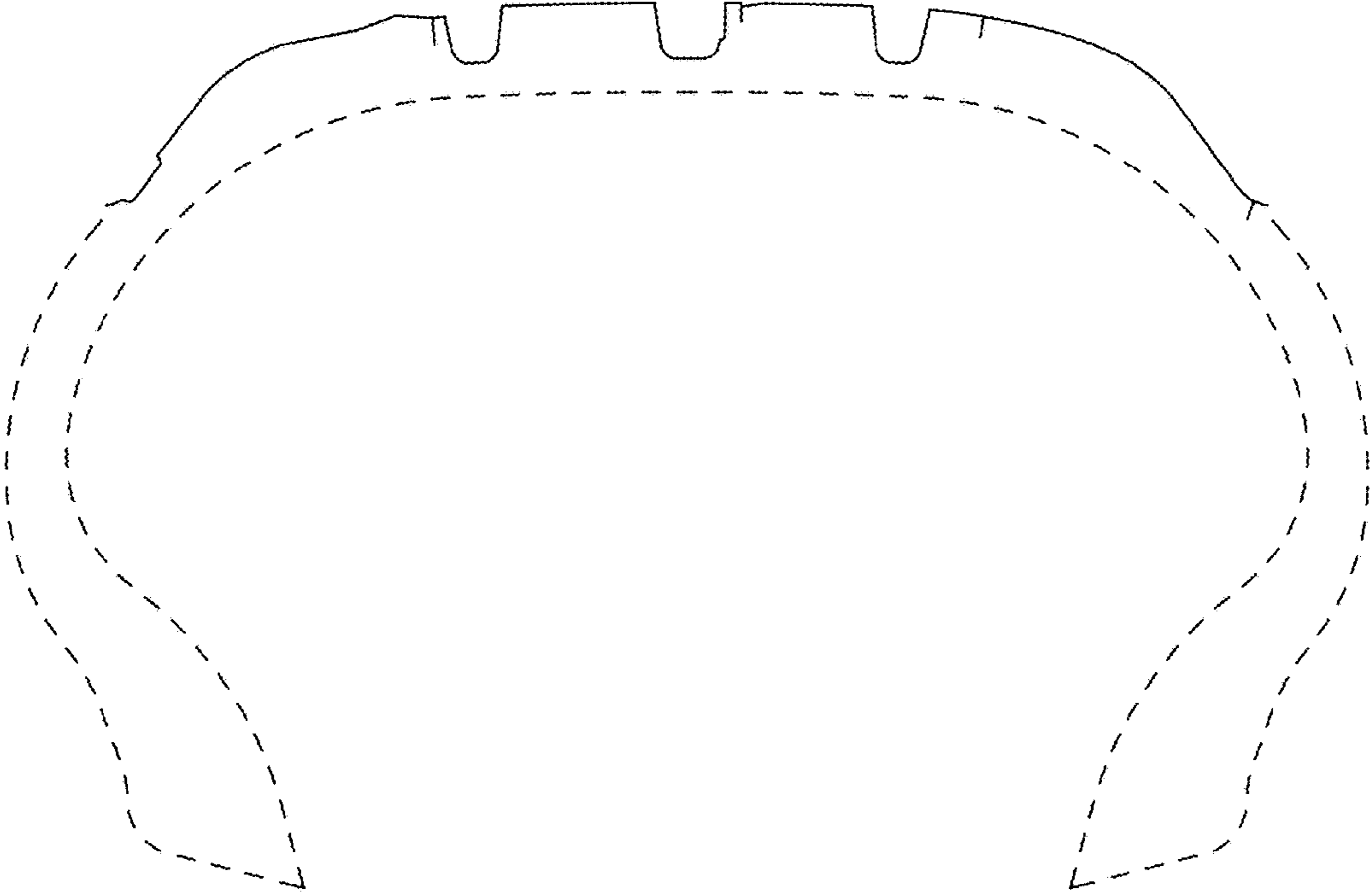


FIG. 7

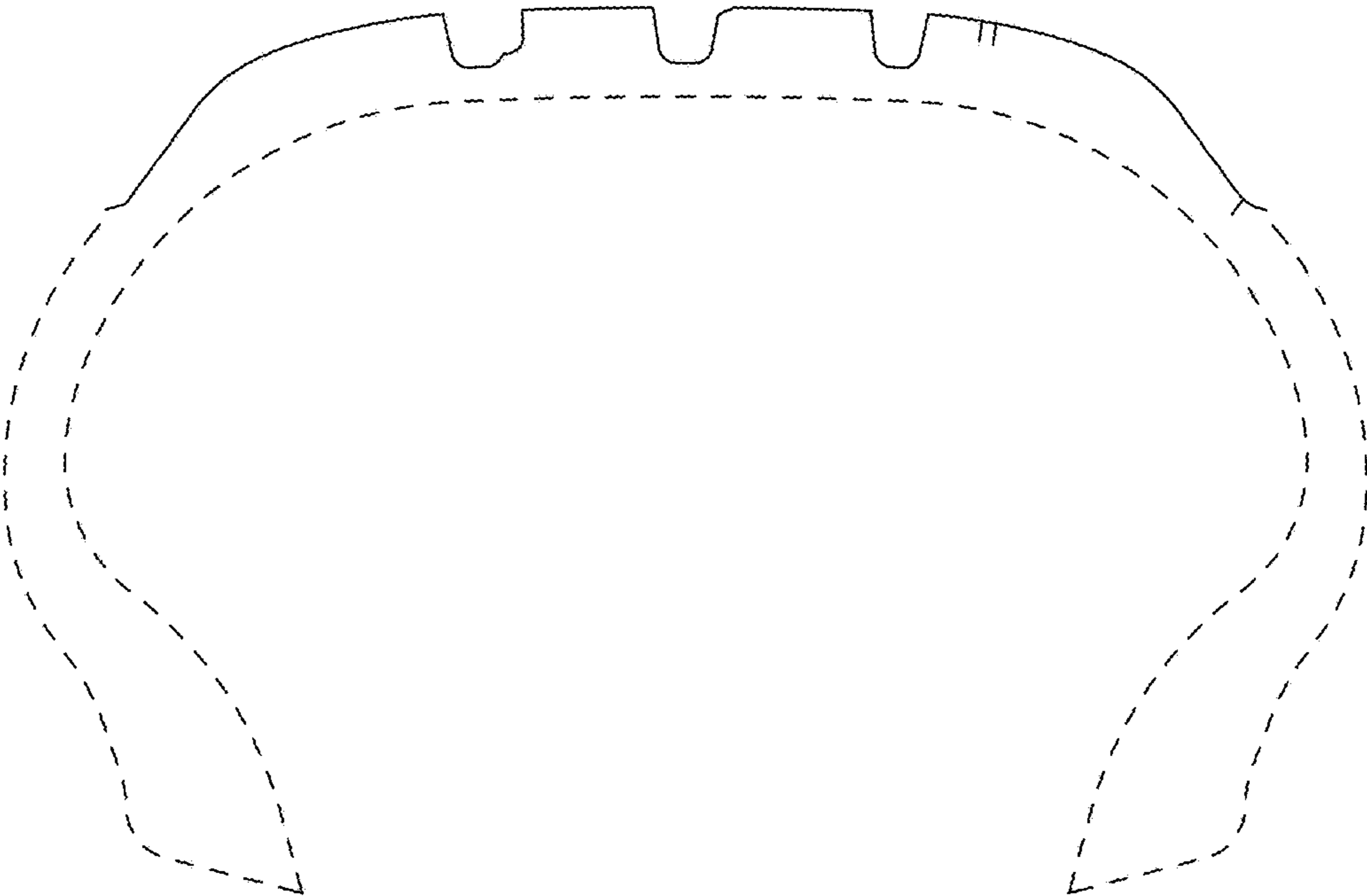


FIG. 8

