



US00D803765S

(12) **United States Design Patent**  
**Bei et al.**

(10) **Patent No.:** **US D803,765 S**

(45) **Date of Patent:** **\*\* Nov. 28, 2017**

(54) **ROBOT VEHICLE**

(71) Applicant: **SZ DJI TECHNOLOGY CO., LTD.**,  
Shenzhen (CN)

(72) Inventors: **Shi-Meng Bei**, Shenzhen (CN); **Yi-Jun Guan**, Shenzhen (CN); **Bo Liang**, Shenzhen (CN); **Ji-Dong Wei**, Shenzhen (CN); **Xiao-Long Wu**, Shenzhen (CN)

(73) Assignee: **SZ DJI Technology Co., Ltd.**,  
Shenzhen (CN)

(\*\*) Term: **14 Years**

(21) Appl. No.: **29/525,048**

(22) Filed: **Apr. 27, 2015**

(51) **LOC (10) Cl.** ..... **21-01**

(52) **U.S. Cl.**  
USPC ..... **D12/533**

(58) **Field of Classification Search**

USPC ..... D21/398, 533, 548, 549, 550, 551, 552,  
D21/557, 560, 561, 562, 580, 581;  
446/154, 164, 231, 233, 236-242, 265,  
446/266, 273, 437, 462, 465, 470  
CPC .... A63H 17/004; A63H 17/26; A63H 17/262;  
A63H 17/264; A63H 17/266; A63H  
17/36; A63H 17/38; A63H 29/00; A63H  
29/16; A63H 29/165; A63H 29/22; A63H  
29/24; A63H 30/04

See application file for complete search history.

(56) **References Cited**

U.S. PATENT DOCUMENTS

D309,930 S \* 8/1990 Asaeda ..... D21/548  
D317,336 S \* 6/1991 Tsuchiya ..... D21/550

D377,956 S \* 2/1997 Chuang ..... D21/548  
D379,386 S \* 5/1997 Chuang ..... D21/548  
5,727,985 A \* 3/1998 George ..... A63H 17/004  
446/437  
D408,471 S \* 4/1999 Smolarczyk ..... D21/550  
D508,963 S \* 8/2005 Discoe ..... D21/550  
D538,861 S \* 3/2007 Takahashi ..... D21/550  
7,234,992 B2 \* 6/2007 Weiss ..... A63H 30/04  
446/454  
D577,083 S \* 9/2008 Nakayama ..... D21/562  
D593,616 S \* 6/2009 Asai ..... D21/562  
9,375,648 B2 \* 6/2016 Hippely ..... A63H 13/00  
D762,269 S \* 7/2016 Lee ..... D21/548

\* cited by examiner

*Primary Examiner* — Cynthia M Chin

(74) *Attorney, Agent, or Firm* — Sterne, Kessler,  
Goldstein & Fox P.L.L.C.

(57) **CLAIM**

The ornamental design for a robot vehicle, as shown and described.

**DESCRIPTION**

FIG. 1 is a front perspective view of a robot vehicle showing the claimed design;

FIG. 2 is a front view thereof;

FIG. 3 is a rear view thereof;

FIG. 4 is a left side view thereof;

FIG. 5 is a right side view thereof;

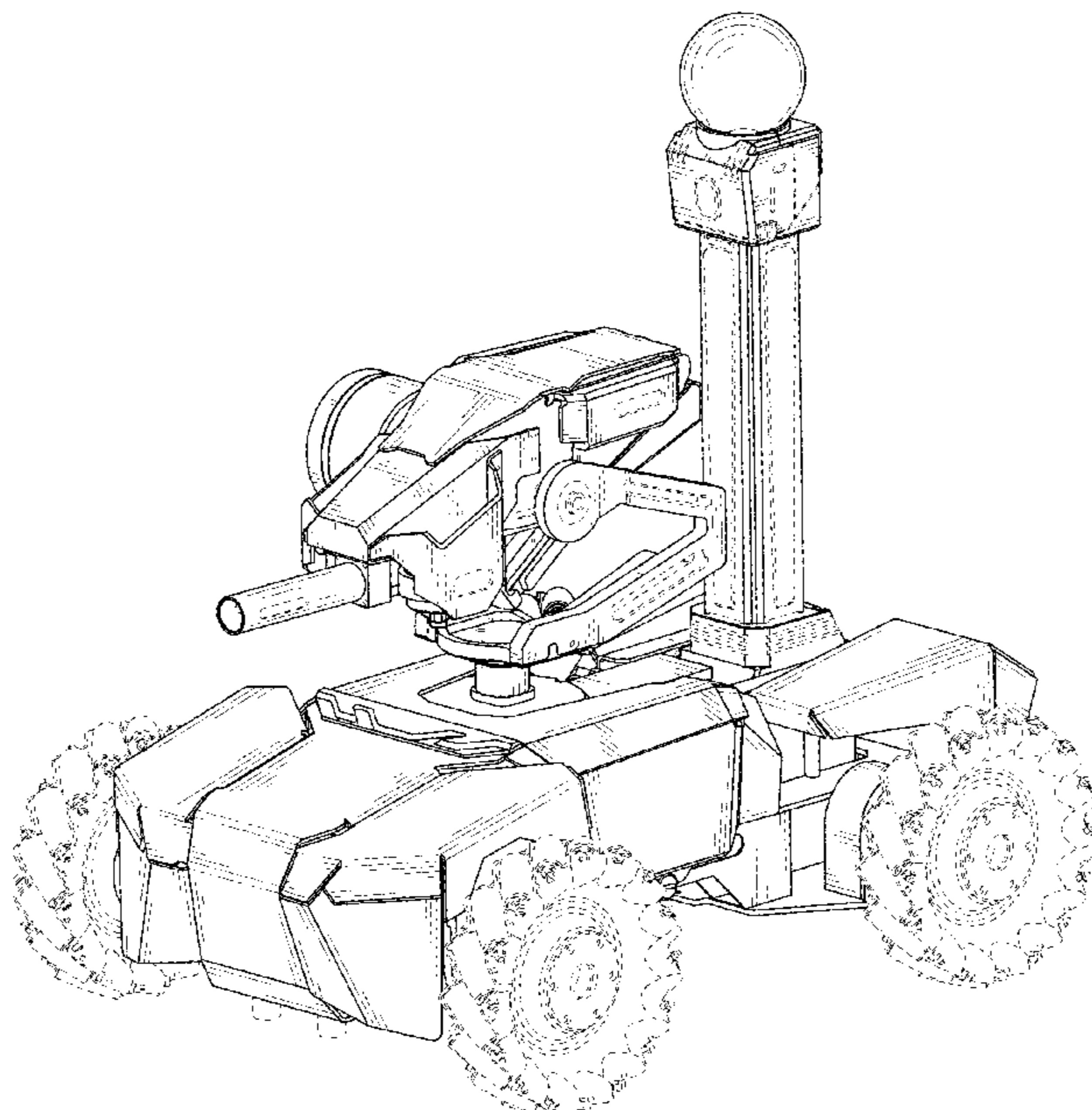
FIG. 6 is a top view thereof; and,

FIG. 7 is a bottom view thereof.

The dashed broken lines in the figures show portions of the robot vehicle that form no part of the claimed design.

The dot-dash broken lines in the figures and the areas within the dot-dash broken lines show portions of the robot vehicle that form no part of the claimed design.

**1 Claim, 7 Drawing Sheets**



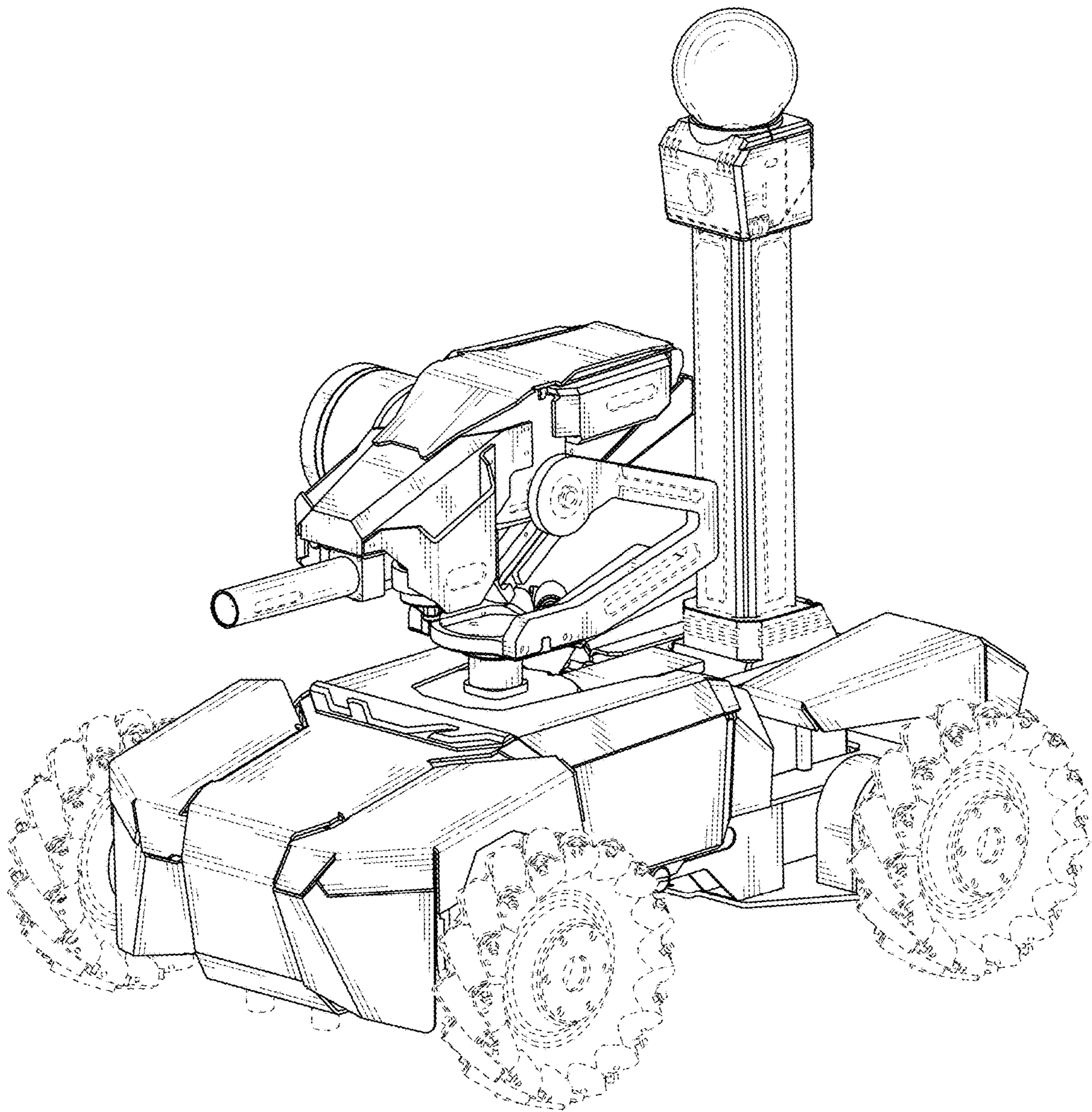


FIG. 1

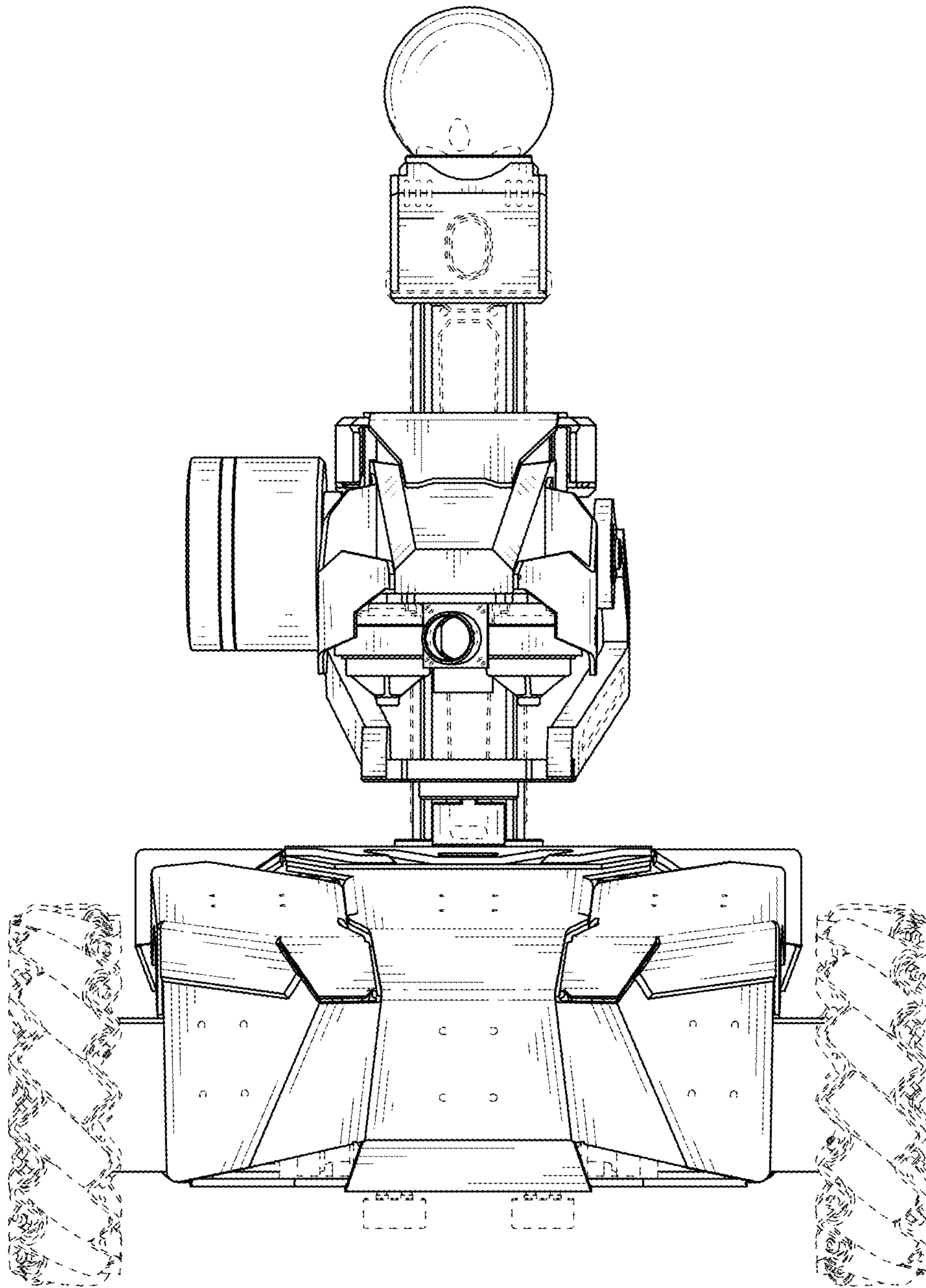


FIG. 2

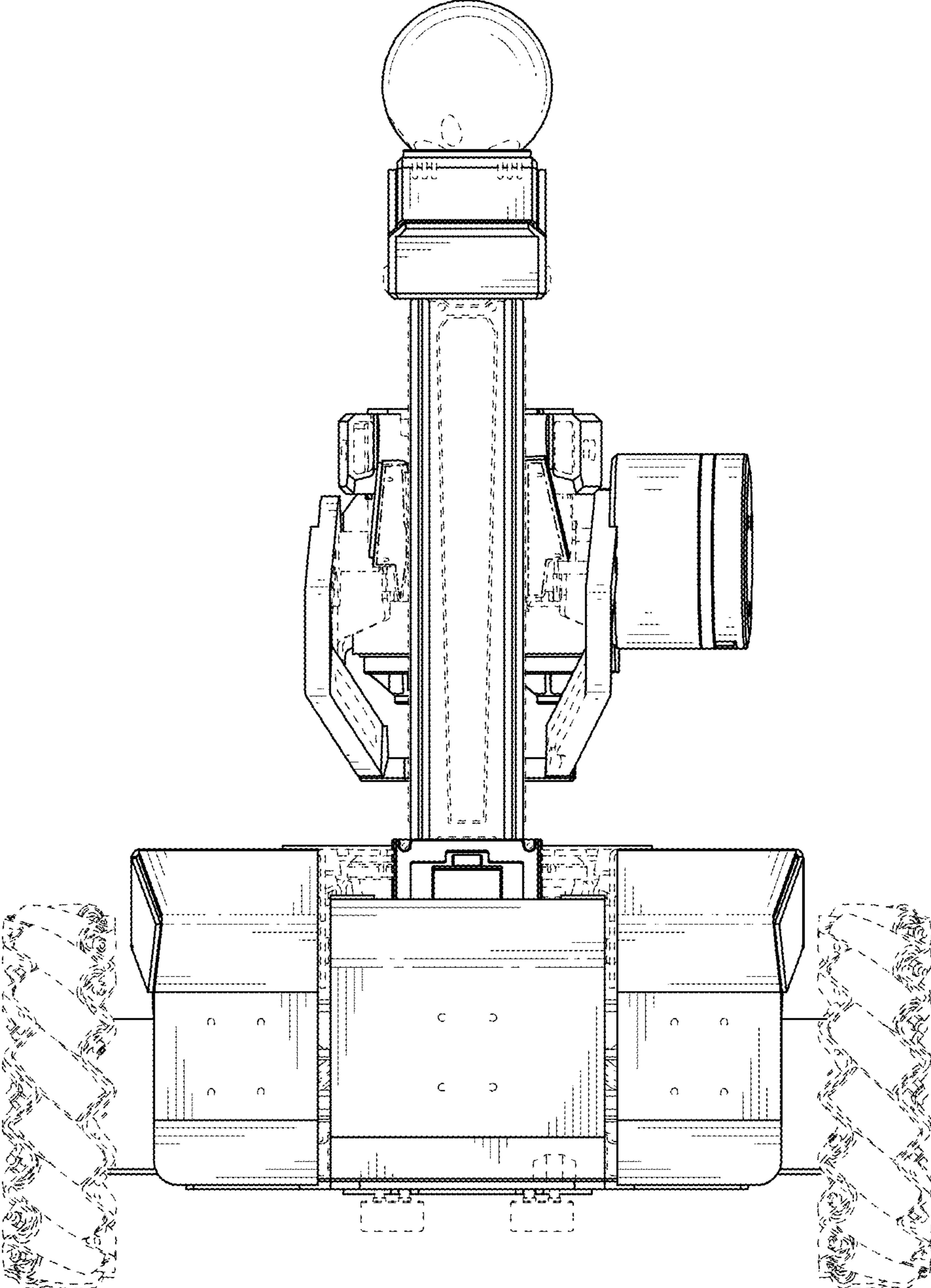


FIG. 3

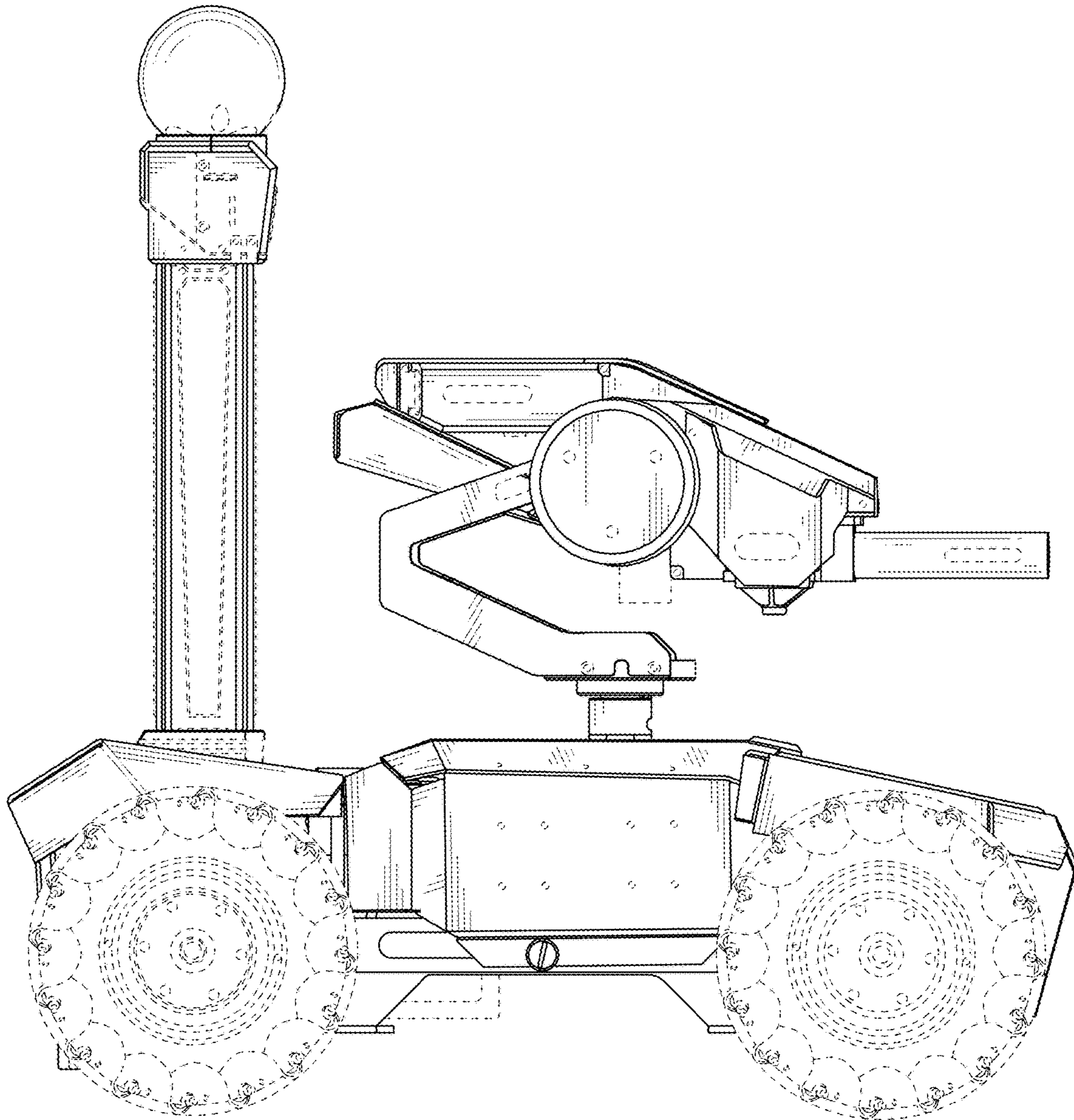


FIG. 4

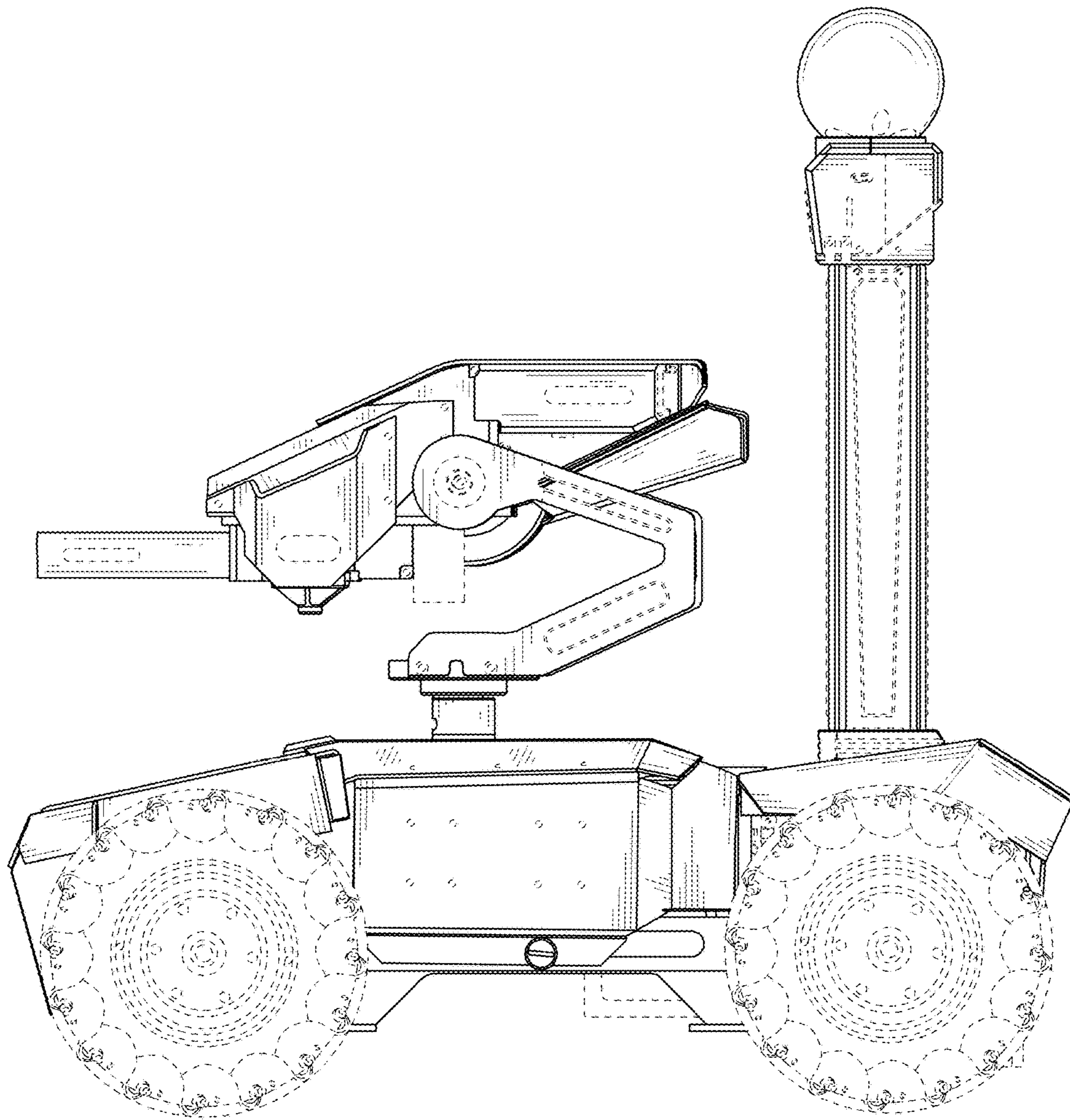


FIG. 5

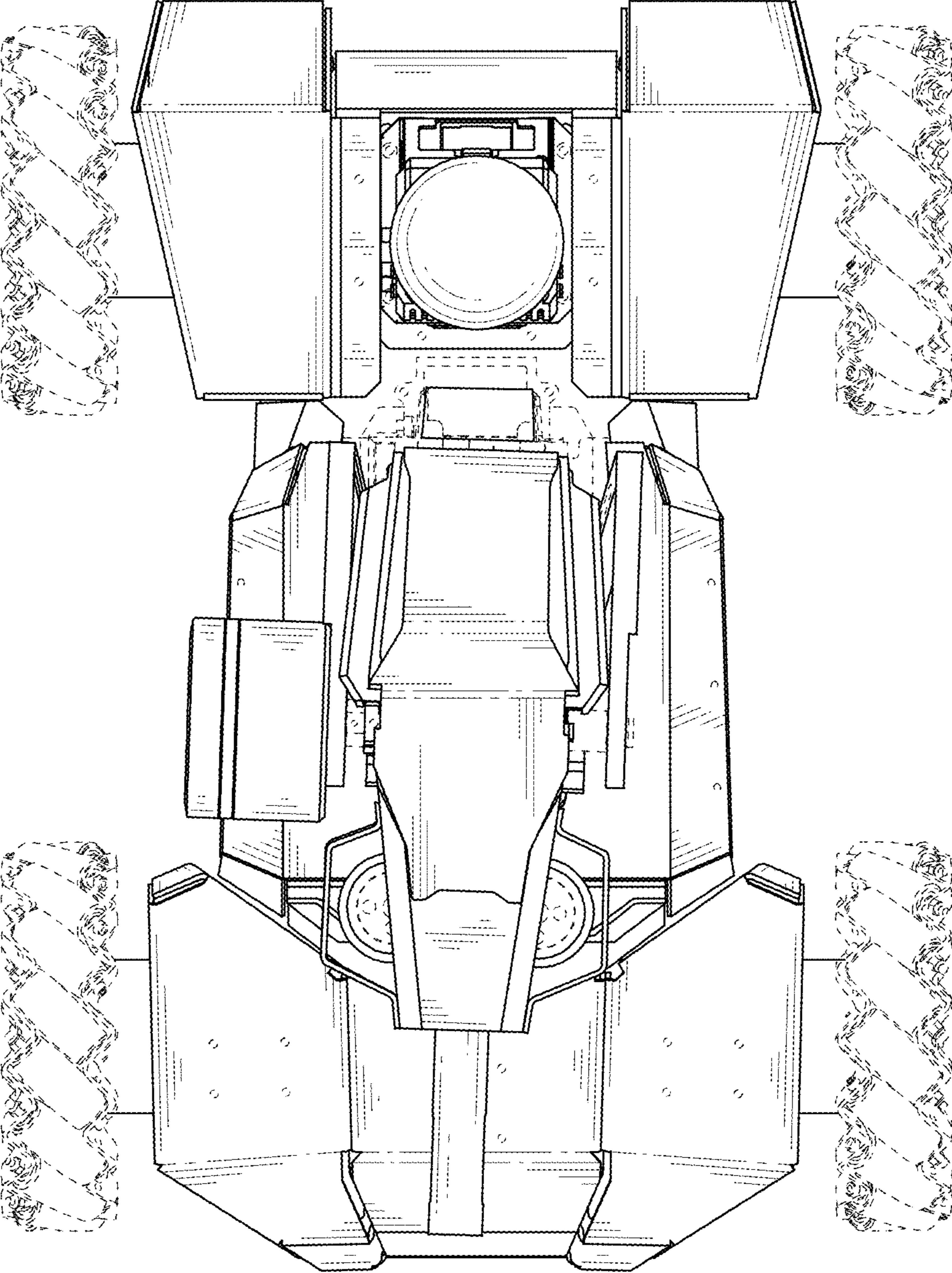


FIG. 6

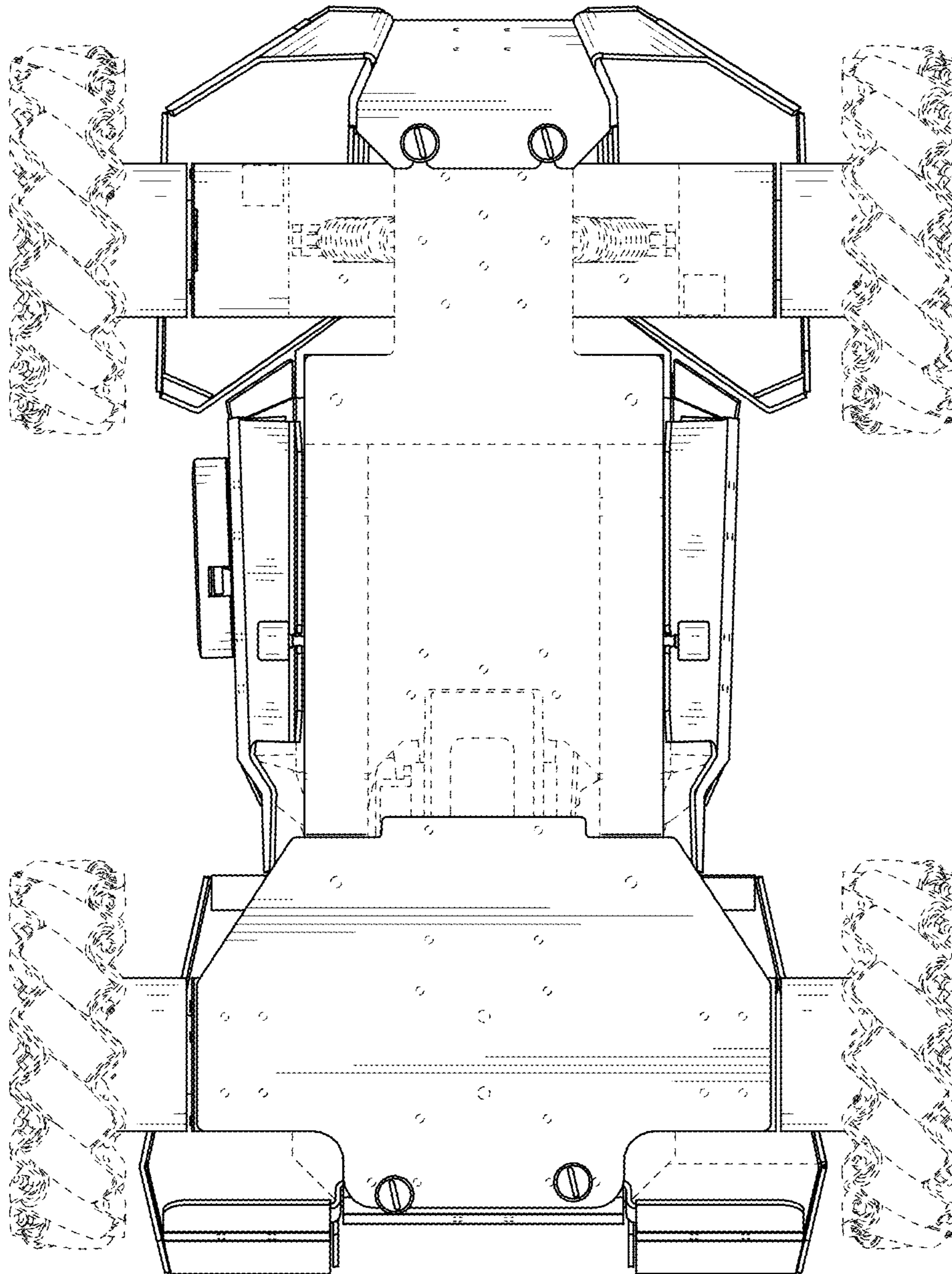


FIG. 7