



US00D803759S

(12) **United States Design Patent**
Habeger

(10) **Patent No.:** **US D803,759 S**

(45) **Date of Patent:** **** Nov. 28, 2017**

(54) **UNDERWATER REMOTELY OPERATED VEHICLE**

(71) Applicant: **Cam Habeger**, Big Lake, MN (US)

(72) Inventor: **Cam Habeger**, Big Lake, MN (US)

(**) Term: **15 Years**

(21) Appl. No.: **29/567,715**

(22) Filed: **Jun. 10, 2016**

(51) **LOC (10) Cl.** **12-06**

(52) **U.S. Cl.**
USPC **D12/308**

(58) **Field of Classification Search**

USPC D12/300, 302-306, 308, 310, 313-314,
D12/316-318, 190, 194, 400;
D21/506-507, 533, 542-545; D23/259,
D23/266; D25/119-123, 128
CPC .. B63B 1/121; B63B 1/12; B63B 1/20; B63B
1/042; B63B 1/14; B63B 1/24; B63B
1/125; B63B 1/04; B63B 7/04; B63B
35/731; B63B 35/73; B63B 35/71; B63B
35/00; B63B 39/06; B63B 15/0083;
B63G 8/001; B63G 8/08; B63G 8/00;
B63G 2008/004; B63G 2008/005; B63G
2008/002; B21D 22/025

See application file for complete search history.

(56) **References Cited**

U.S. PATENT DOCUMENTS

D242,615 S * 12/1976 Henning D12/308
4,010,619 A * 3/1977 Hightower B63C 11/48
114/322
4,324,195 A * 4/1982 Cunningham B63C 11/48
114/312
4,502,407 A * 3/1985 Stevens E02B 17/0034
114/222
D343,822 S * 2/1994 Hurd D12/308
D399,183 S * 10/1998 Ciamillo, II D12/308
D416,225 S * 11/1999 Robinson D12/308

D453,726 S * 2/2002 Dunn D12/308
D461,445 S * 8/2002 Nuytten D12/308
D463,356 S * 9/2002 Rodocker D12/308
D541,883 S * 5/2007 Miyagawa D21/542
D577,082 S * 9/2008 Hetman D21/533

(Continued)

OTHER PUBLICATIONS

Remote Operated Vehicle (ROV), posted at Blackdogdivers.com, posted on © 2010, site visited May 10, 2017, <<http://www.blackdogdivers.com/remote-operated-vehicle.htm>>.*

(Continued)

Primary Examiner — Barbara Fox

Assistant Examiner — Messina L Smith

(74) *Attorney, Agent, or Firm* — Damian Wasserbauer, Esq.; Wasserbauer Law LLC

(57) **CLAIM**

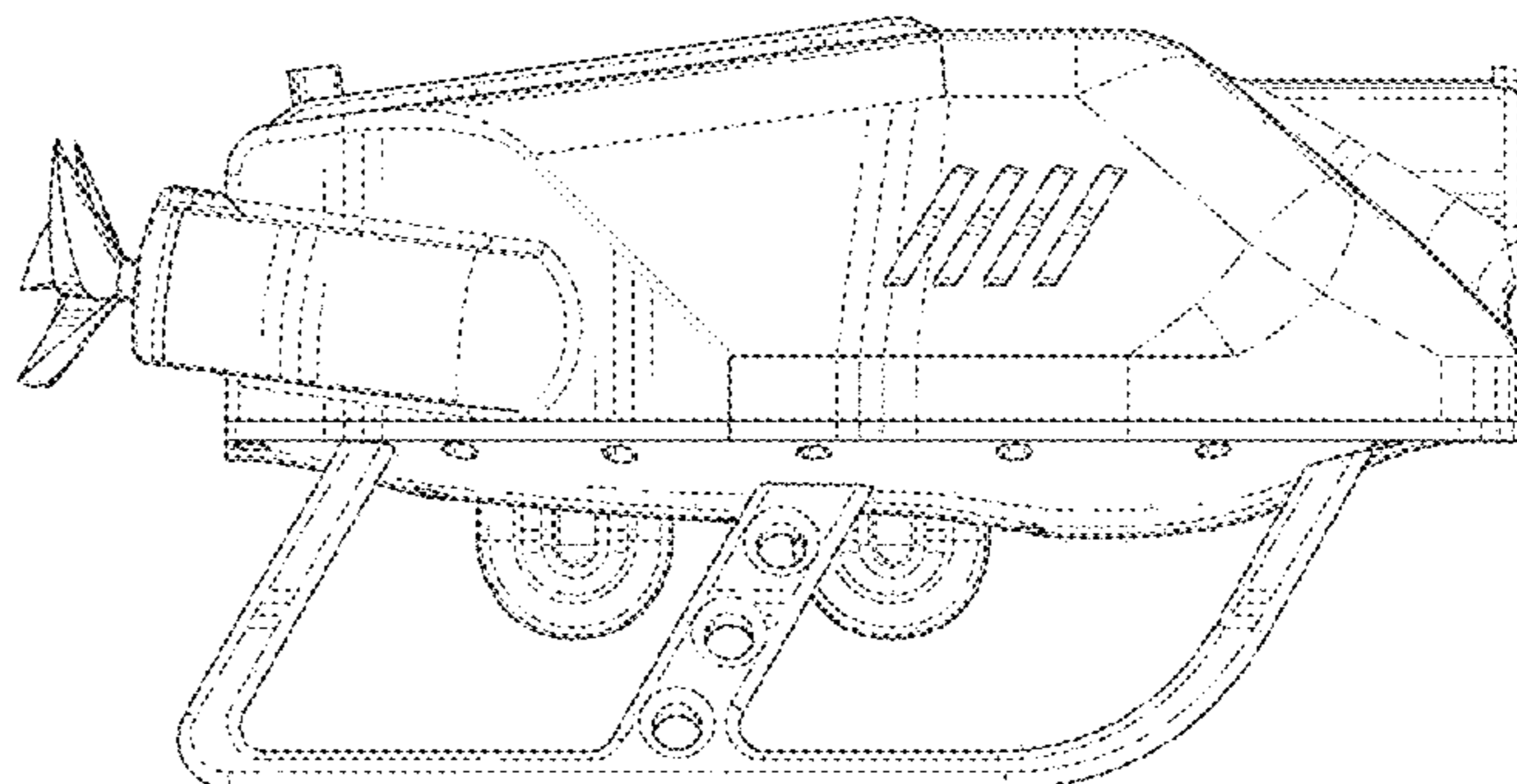
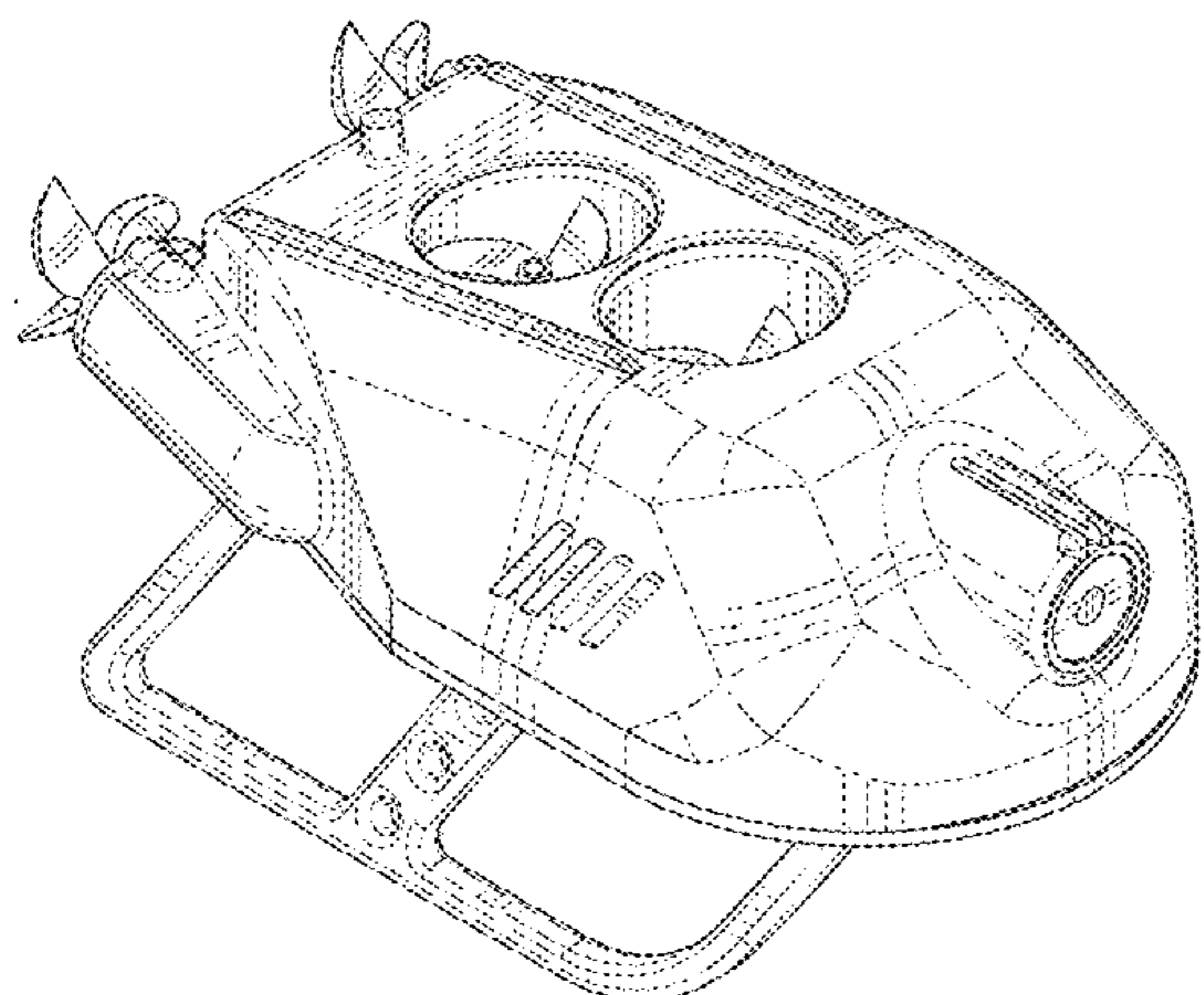
The ornamental design for an underwater remotely operated vehicle, as shown and described.

DESCRIPTION

FIG. 1 is a perspective view of an underwater remotely operated vehicle showing the new design;
FIG. 2 is a front view thereof;
FIG. 3 is a rear view thereof;
FIG. 4 is a side view thereof;
FIG. 5 is a side view thereof;
FIG. 6 is a top view thereof;
FIG. 7 is a bottom view thereof; and,
FIG. 8 is a perspective view thereof, shown in use with a controlling system and tether.

The broken lines showing the controlling system and the tether in FIG. 8 are for the purpose of illustrating environment and form no part of the claimed design. All other broken lines in the drawings depict portions of the underwater remotely operated vehicle that form no part of the claimed design.

1 Claim, 8 Drawing Sheets



(56)

References Cited

U.S. PATENT DOCUMENTS

D685,862 S * 7/2013 Martino D21/533
D703,275 S * 4/2014 Martino D21/533
2002/0083880 A1* 7/2002 Shelton F16M 11/125
114/312
2013/0263770 A1* 10/2013 Andersen B63B 59/08
114/330
2014/0193206 A1* 7/2014 Montousse B63G 8/001
405/185
2015/0336640 A1* 11/2015 Dejean B63B 3/08
440/6
2015/0367922 A1* 12/2015 Walpurgis B63C 11/46
440/68
2016/0214693 A1* 7/2016 Habeger B63G 8/001

OTHER PUBLICATIONS

ROV Mini, posted at Turbosquid.com, posted on Jul. 8, 2012, site visited May 10, 2017, <<https://www.turbosquid.com/3d-models/underwater-rov-3d-model/680912>>.*

* cited by examiner

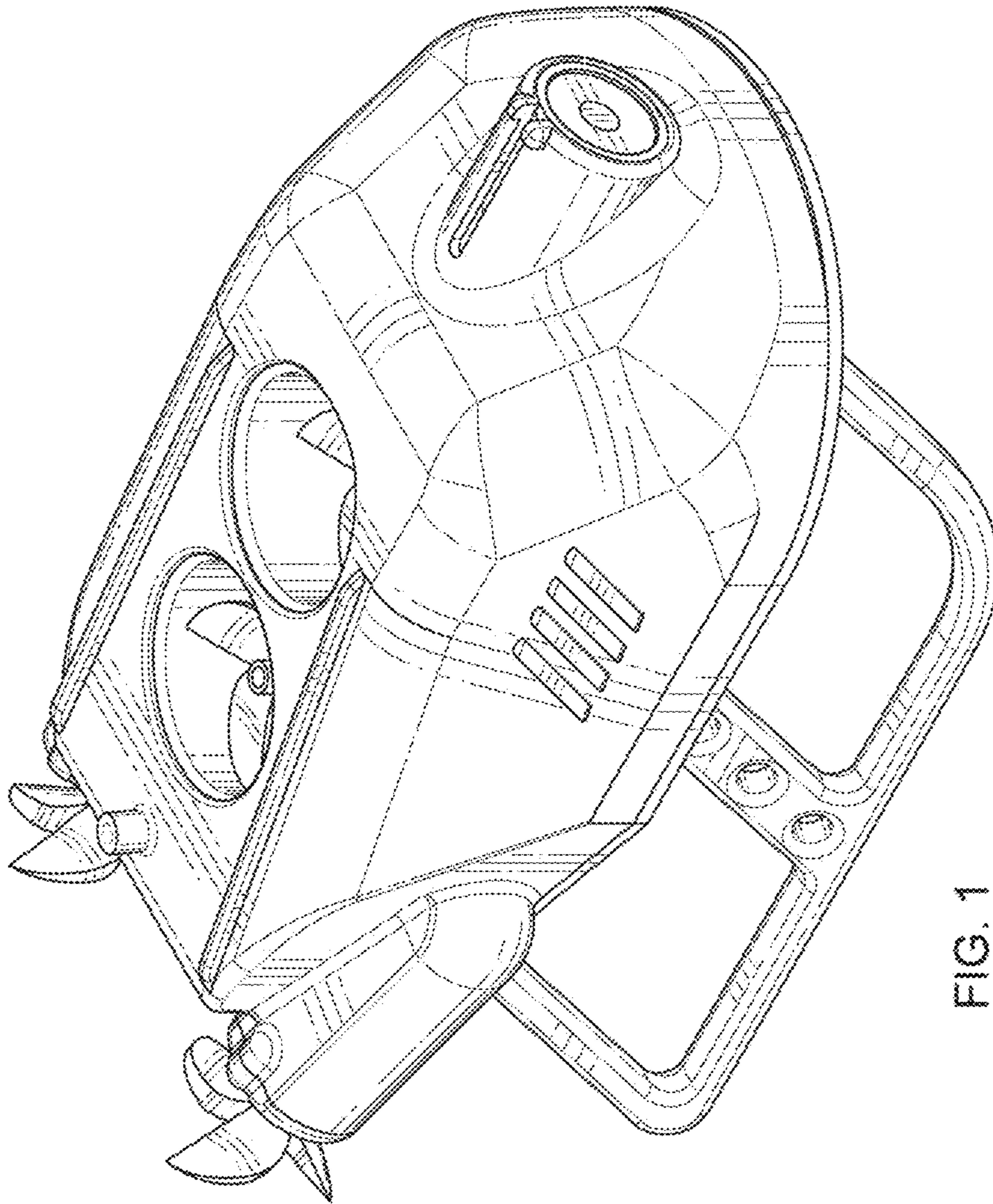


FIG. 1

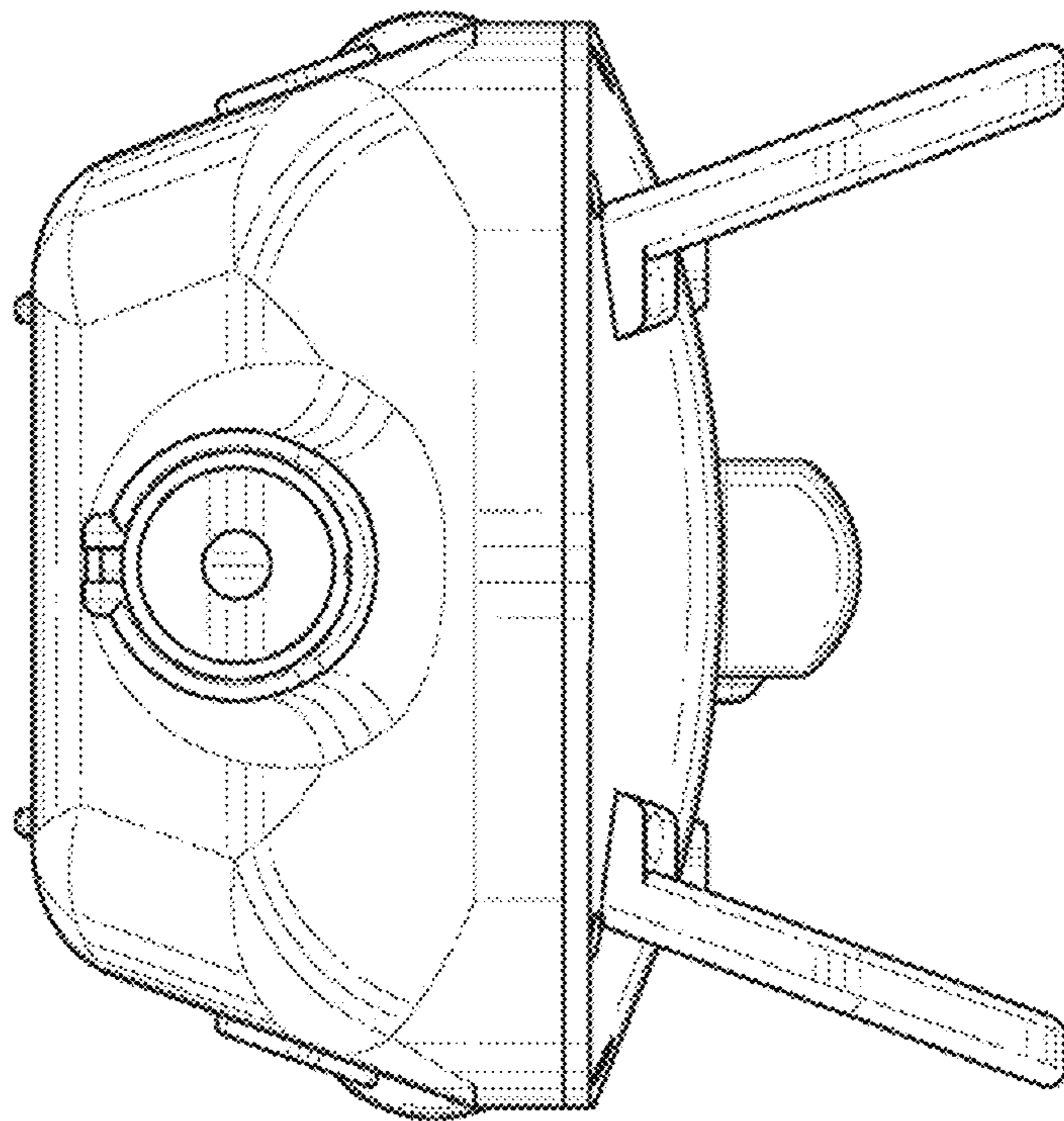


FIG. 2

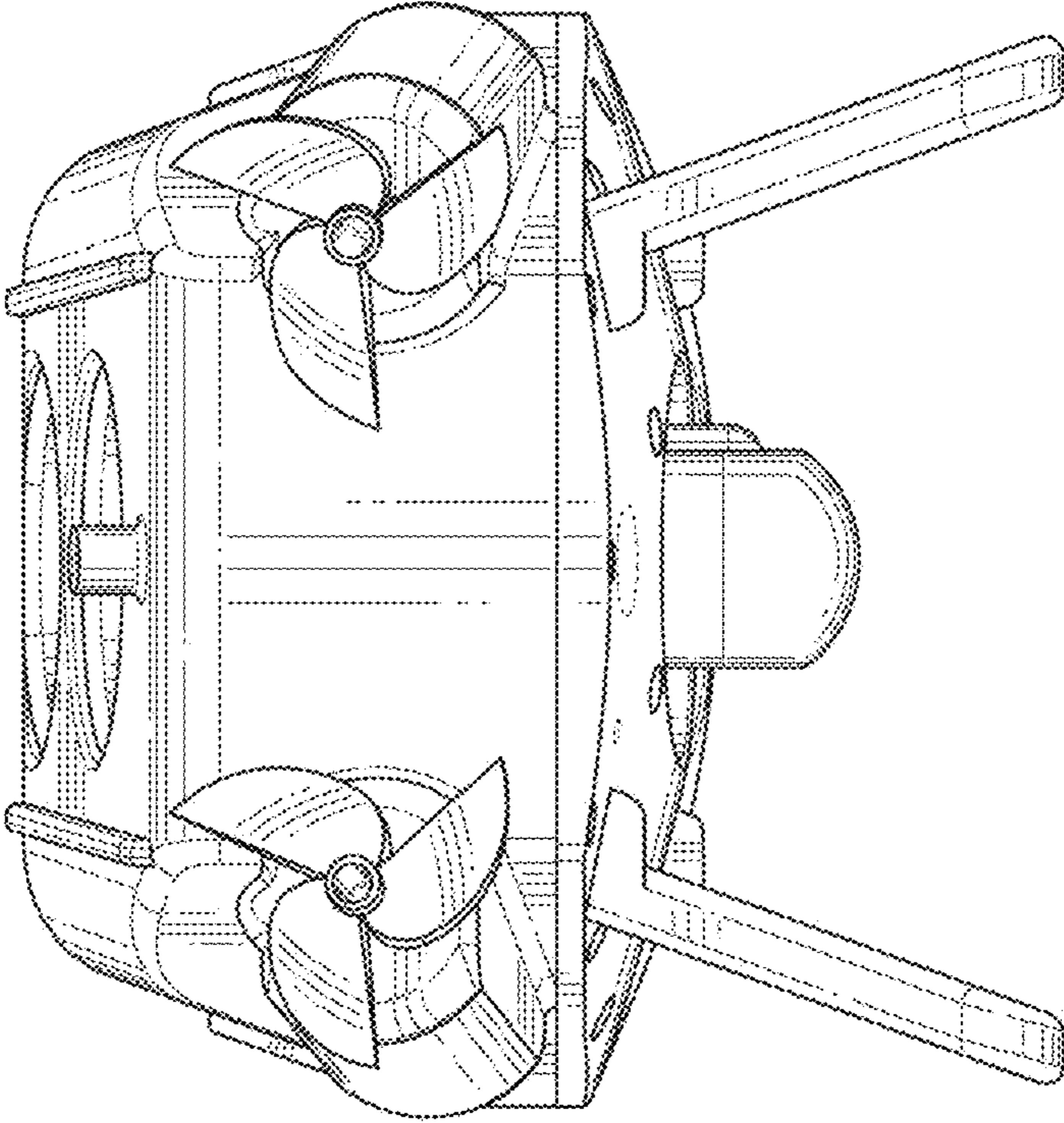


FIG. 3

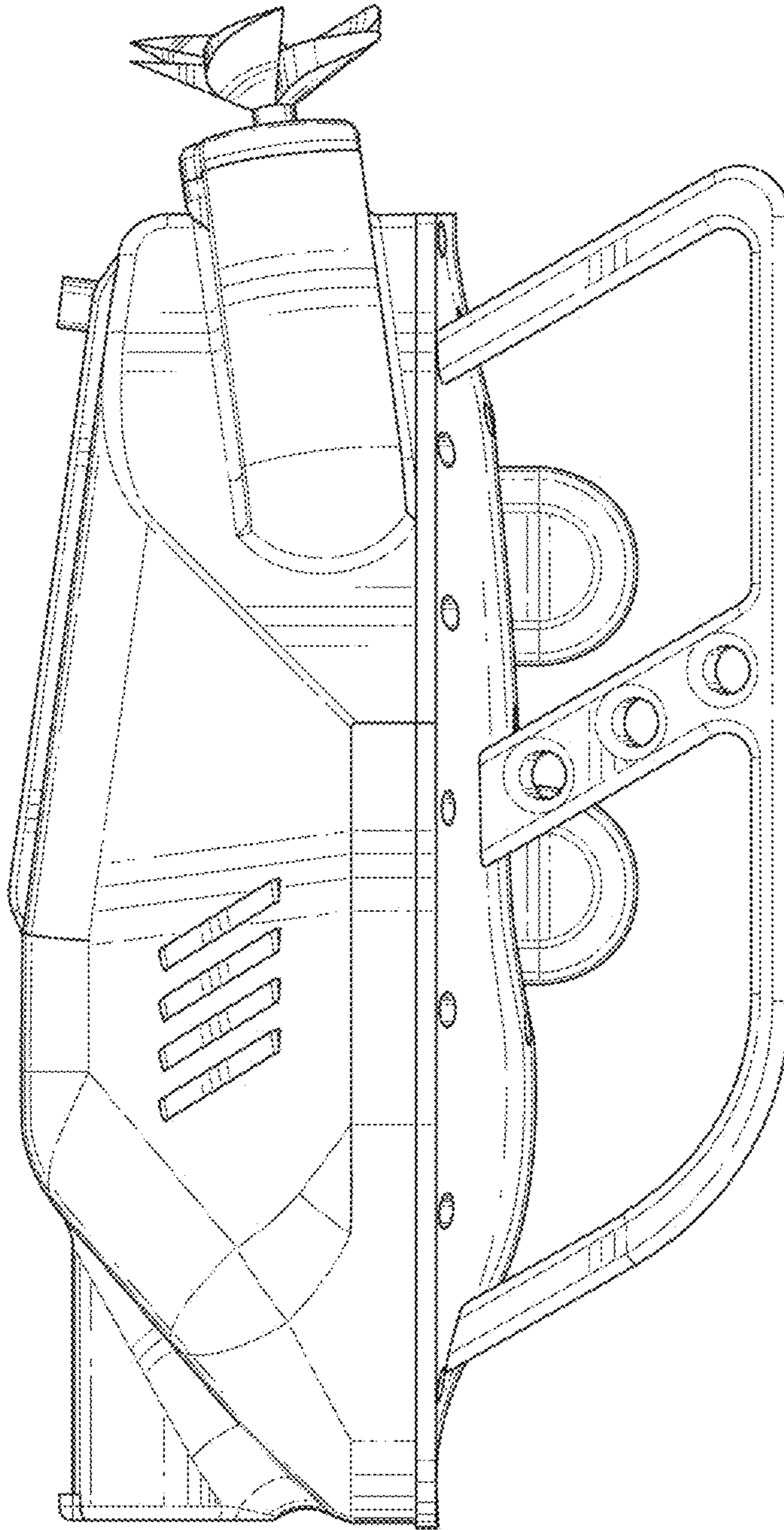


FIG. 4

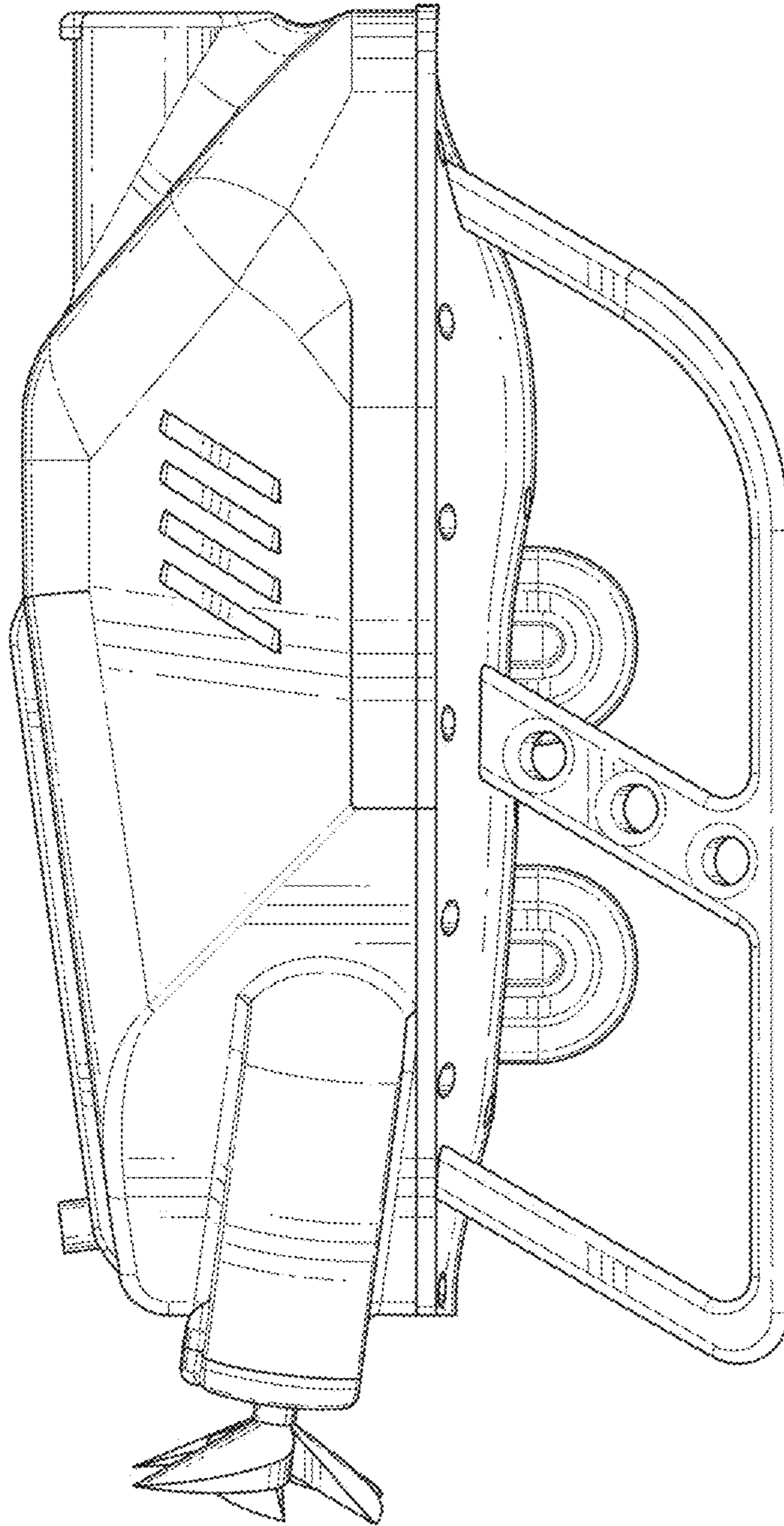


FIG. 5

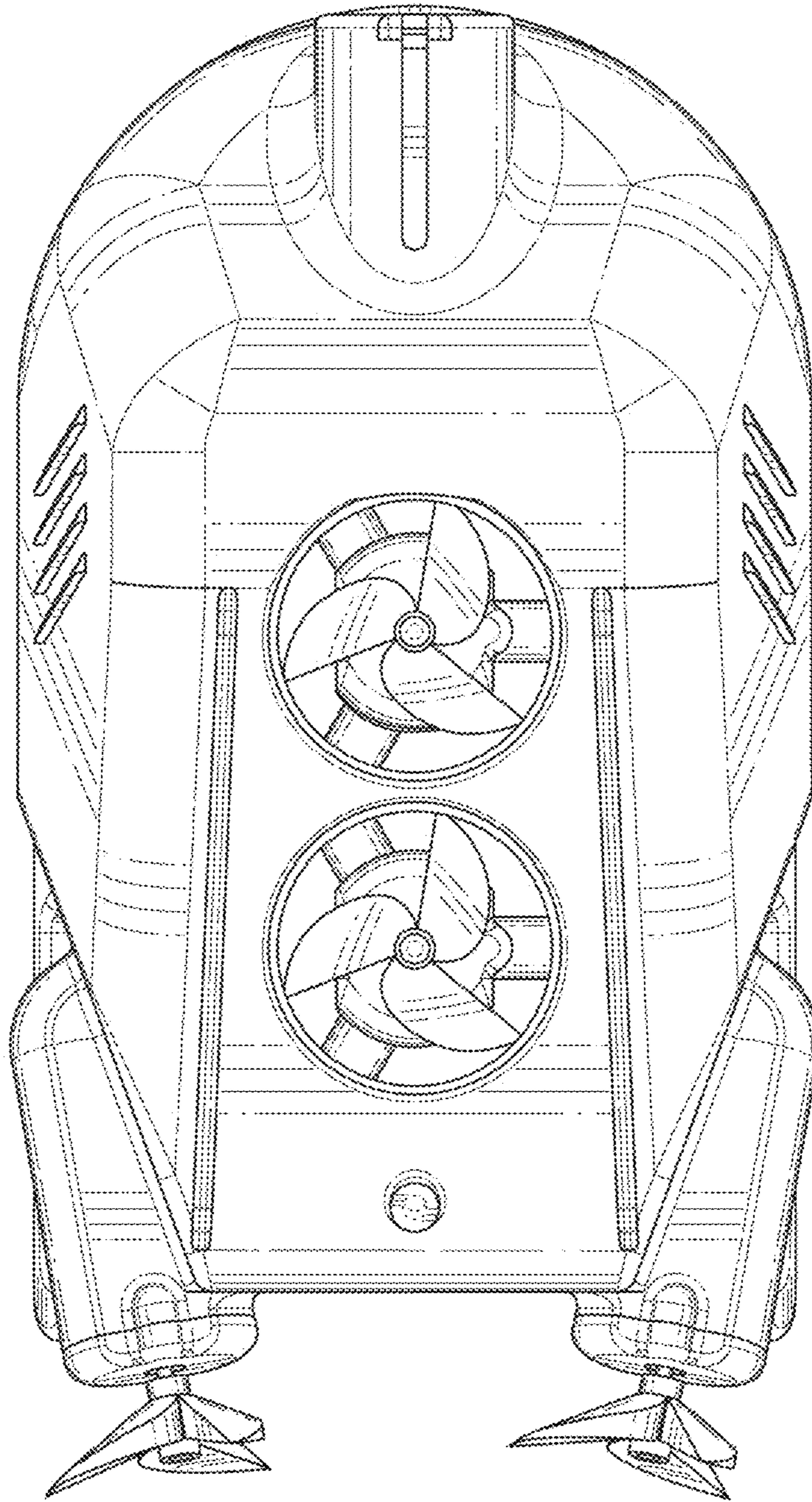


FIG. 6

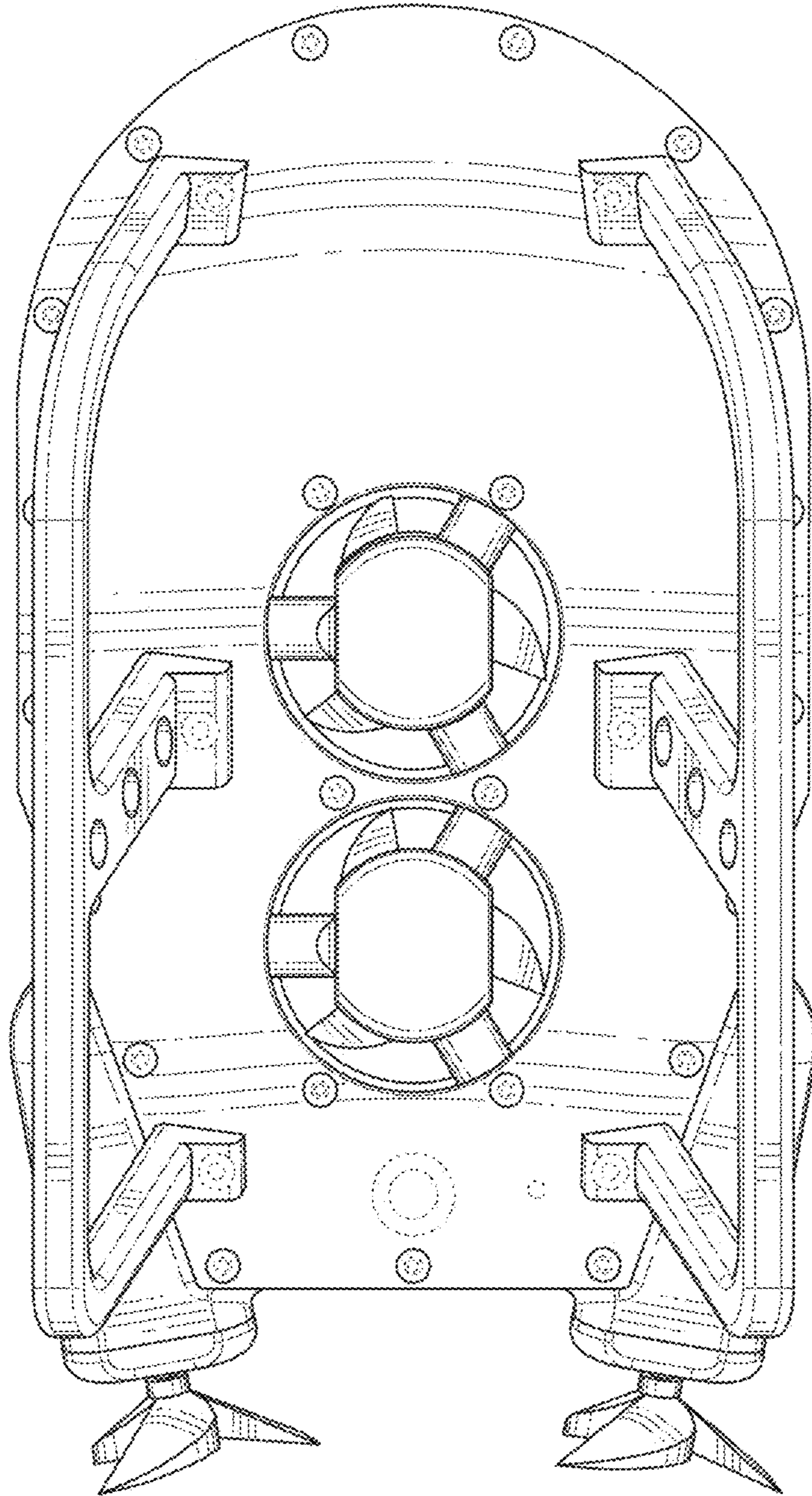


FIG. 7

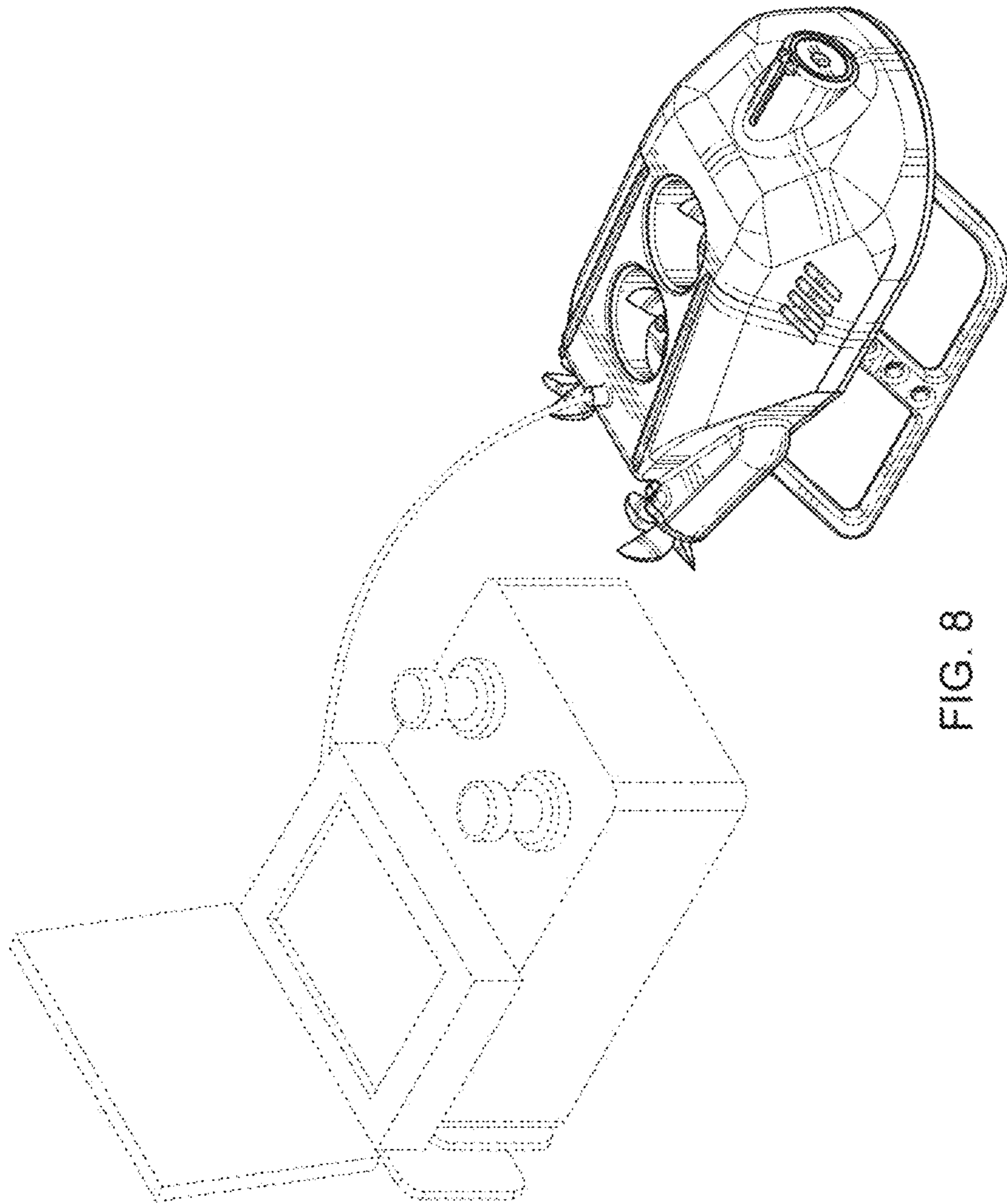


FIG. 8