



US00D803758S

(12) **United States Design Patent** (10) **Patent No.:** **US D803,758 S**
Giordano et al. (45) **Date of Patent:** **** Nov. 28, 2017**

- (54) **ADJUSTABLE AFTERMARKET
AUTOMOTIVE MOUNT**
- (71) Applicants: **Michael A. Giordano**, Rohnert Park,
CA (US); **Sebastien Jame**, Sebastopol,
CA (US)
- (72) Inventors: **Michael A. Giordano**, Rohnert Park,
CA (US); **Sebastien Jame**, Sebastopol,
CA (US)
- (73) Assignee: **J28 Design, Inc.**, Cotat, CA (US)

(**) Term: **15 Years**

(21) Appl. No.: **29/580,560**

(22) Filed: **Oct. 11, 2016**

(51) **LOC (10) Cl.** **12-06**

(52) **U.S. Cl.**
USPC **D12/223**; D12/415

(58) **Field of Classification Search**
 USPC D8/14, 71, 72, 73, 106, 349, 354, 355,
 D8/382, 394, 396, 499; D12/223, 400,
 D12/188, 187, 415, 418; D14/432, 433,
 D14/483, 217, 251, 256, 299
 CPC B60R 7/00; B60R 7/04; B60R 7/08; B60R
 2011/0003; B60R 2011/0005; B60R
 2011/0026; B60R 2011/0033; B60R
 2011/008; B60R 11/04
 See application file for complete search history.

(56) **References Cited**

U.S. PATENT DOCUMENTS

- 5,826,836 A * 10/1998 Gallichan B60K 37/04
248/231.9
 D475,013 S * 5/2003 Grimm D13/133

- D576,026 S * 9/2008 Mazzocco D8/382
 D625,580 S * 10/2010 Giordano D8/349
 D702,530 S * 4/2014 Hasegawa D8/349
 D749,558 S * 2/2016 Nielsen D14/251
 D758,951 S * 6/2016 Unterlechner D12/415
 D761,101 S * 7/2016 Seo D8/396
 D777,021 S * 1/2017 Dew D8/394
 D782,294 S * 3/2017 Dordick D8/396
 D782,901 S * 4/2017 Richter D8/355
 2014/0204218 A1 * 7/2014 Gebhard F21V 21/30
348/164
 2014/0263509 A1 * 9/2014 Oquendo B62J 11/00
224/447

* cited by examiner

Primary Examiner — Sandra Snapp

Assistant Examiner — Ieisha Price

(74) *Attorney, Agent, or Firm* — Bay Area Technology
Law Group PC

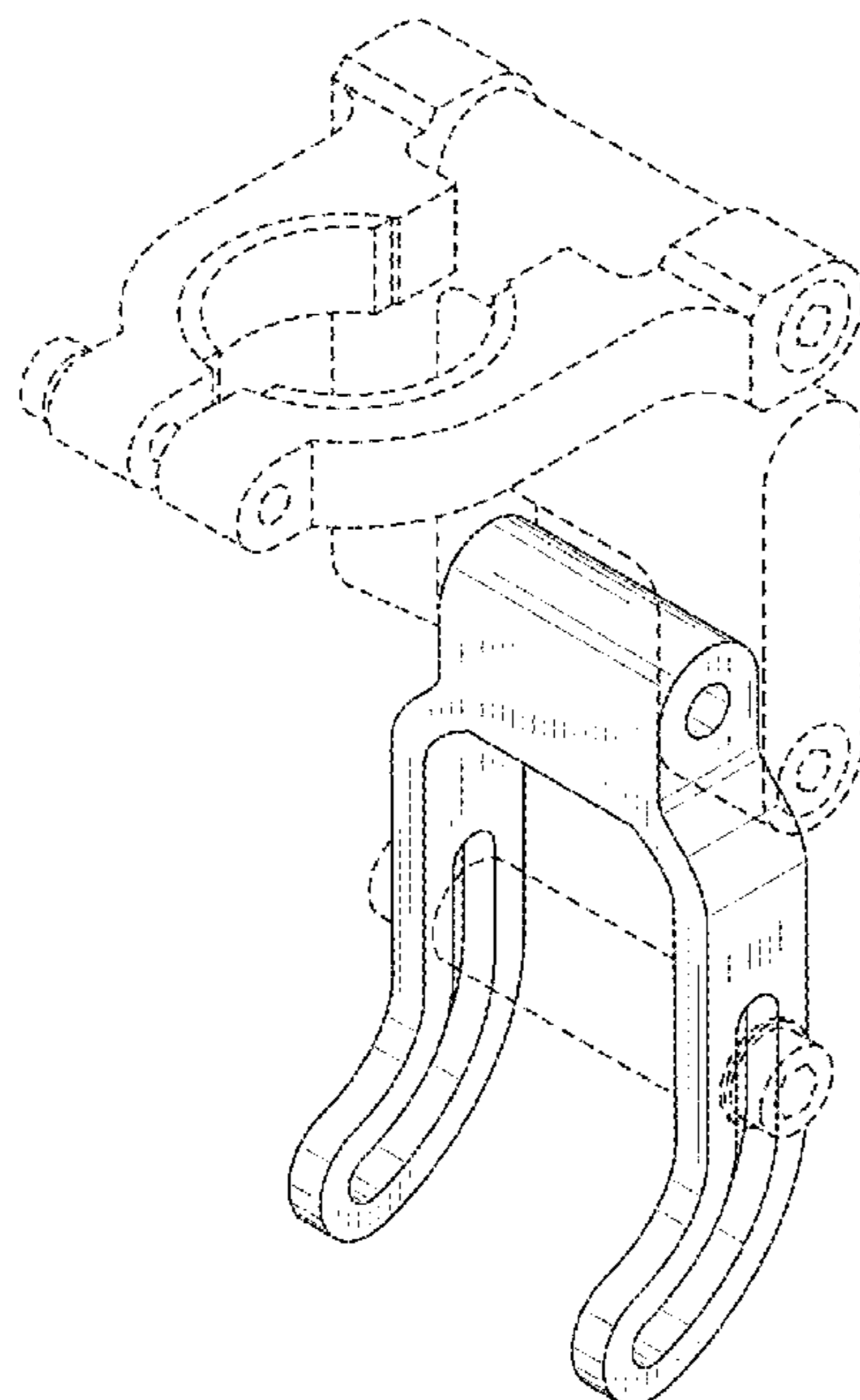
(57) **CLAIM**

The ornamental design for an adjustable aftermarket auto-
motive mount, as shown and described.

DESCRIPTION

FIG. 1 is a perspective view of an adjustable aftermarket
automotive mount showing our new design;
 FIG. 2 is a front view of FIG. 1;
 FIG. 3 is a back view of FIG. 1;
 FIG. 4 is a left side view of FIG. 1;
 FIG. 5 is a right side view of FIG. 1;
 FIG. 6 is a top view of FIG. 1; and,
 FIG. 7 is a bottom view of FIG. 1.
 The broken lines depict environment subject matter and
 form no part of the claimed design.

1 Claim, 3 Drawing Sheets



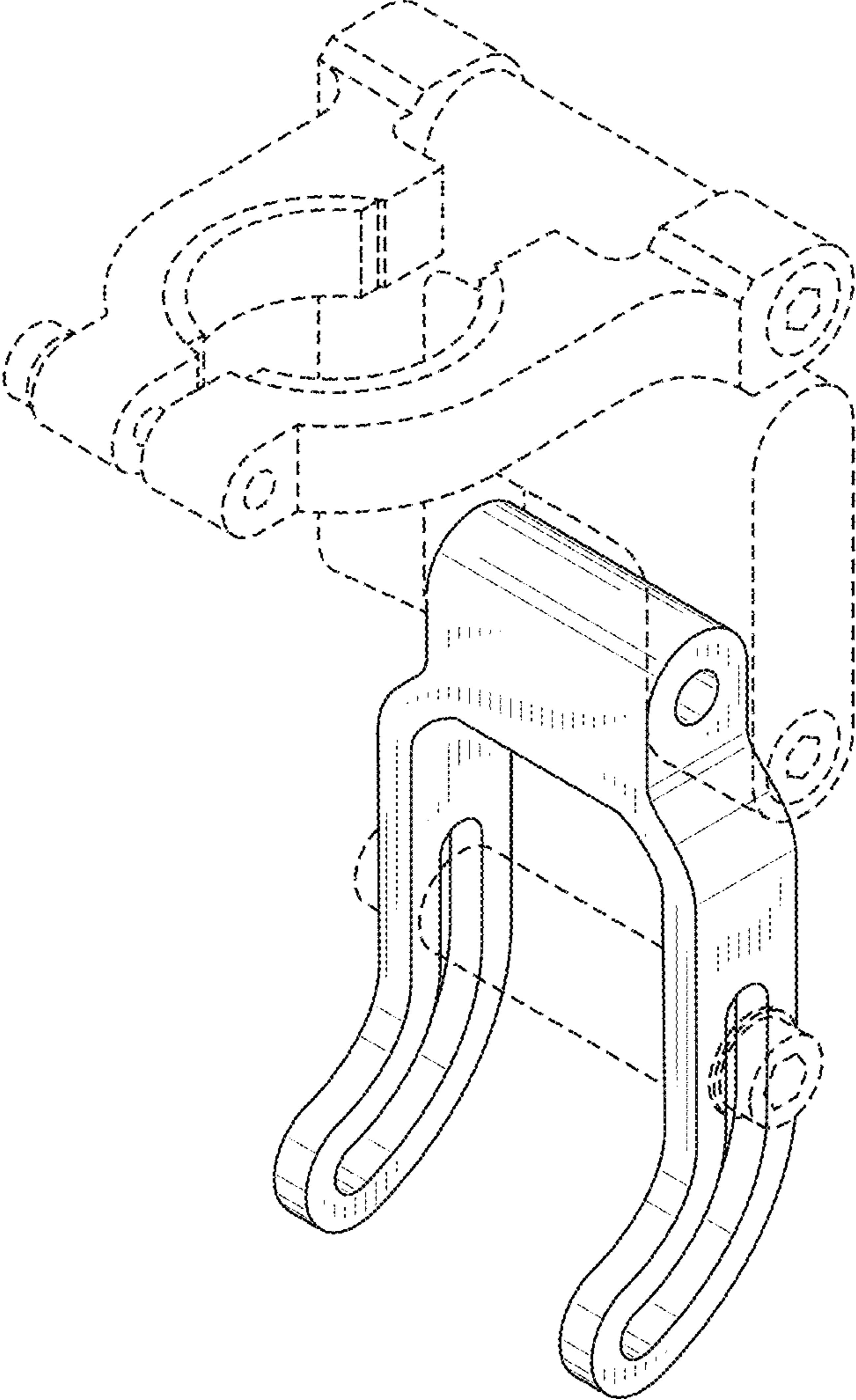


FIG. 1

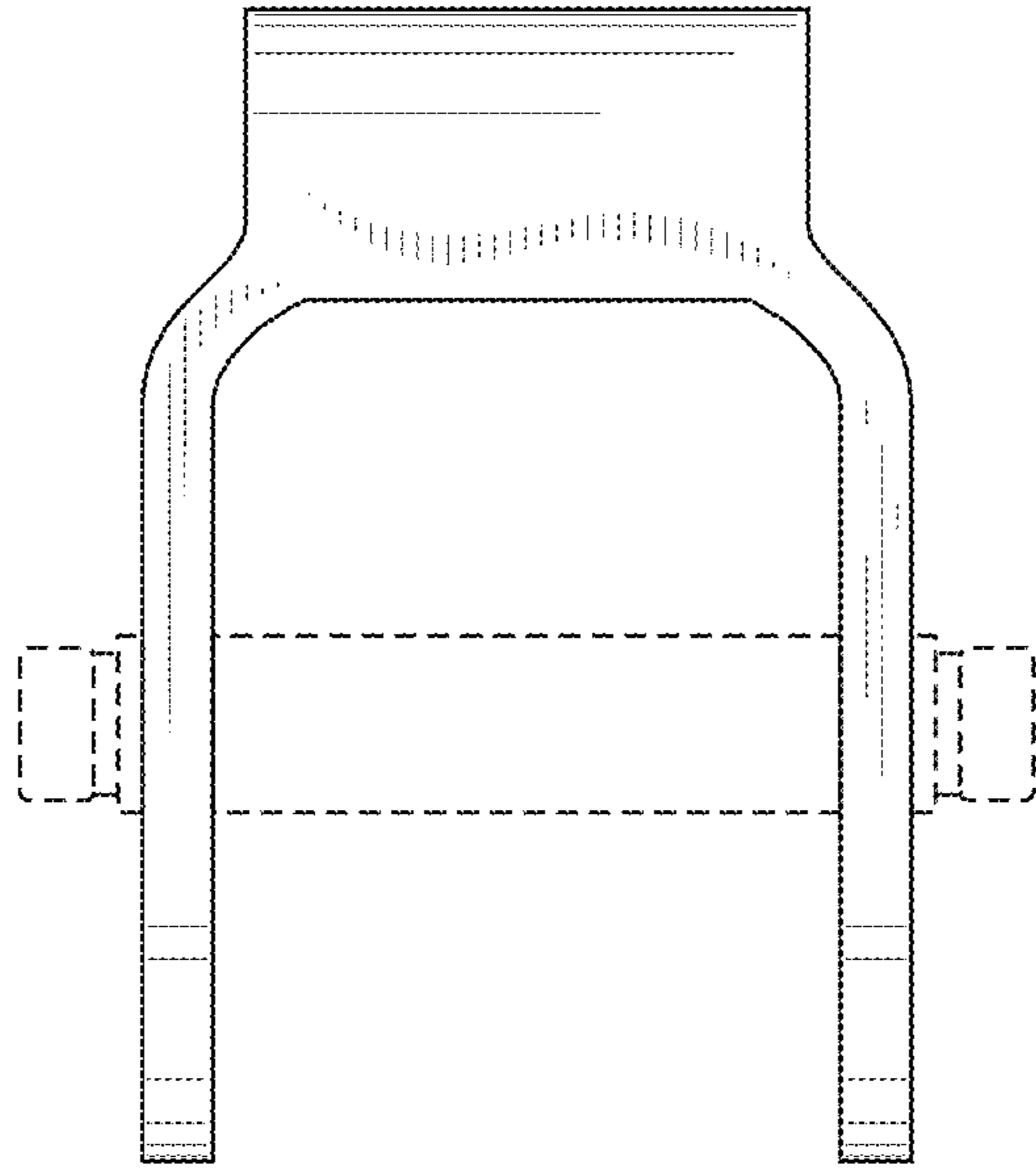


FIG. 2

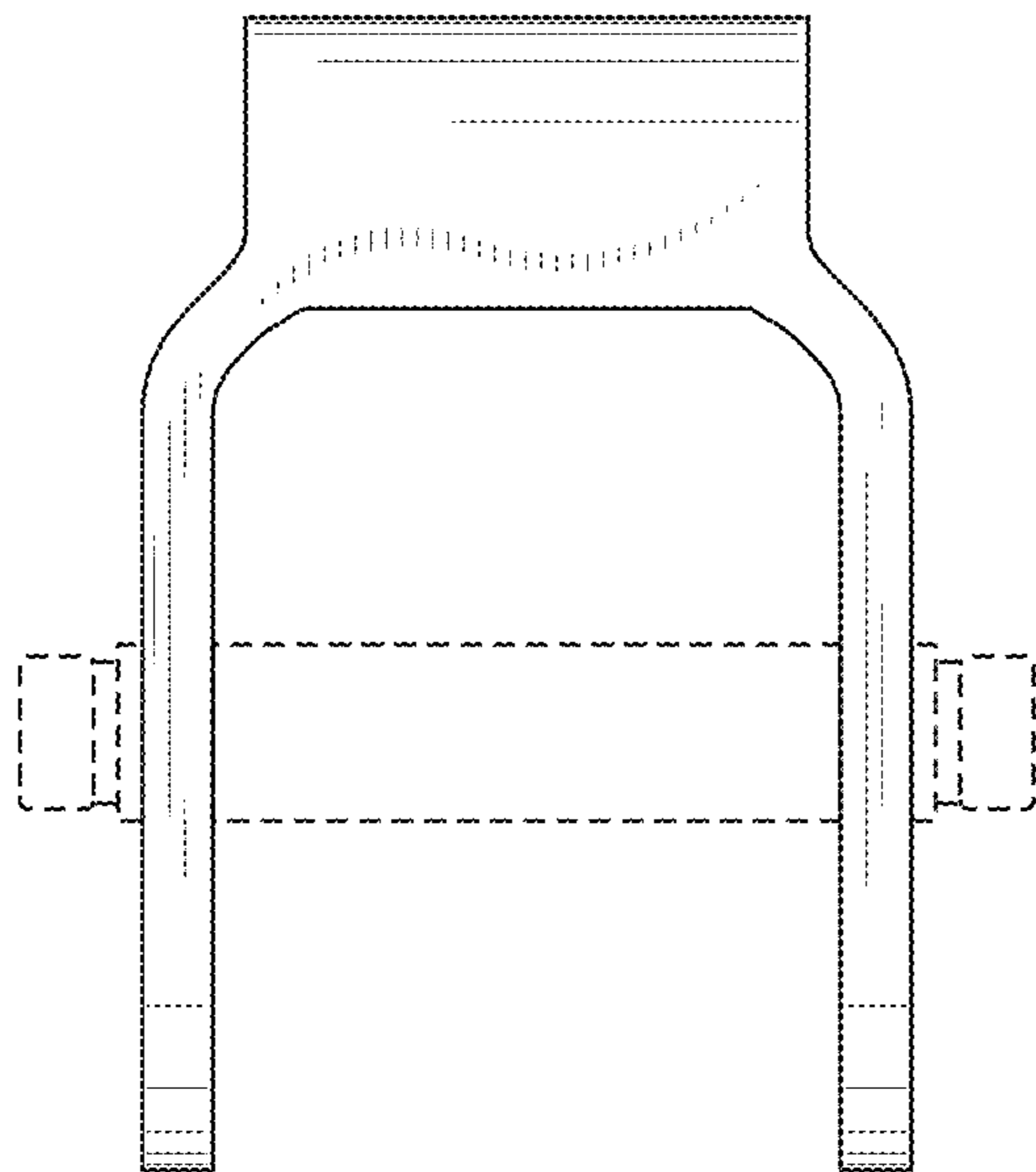


FIG. 3

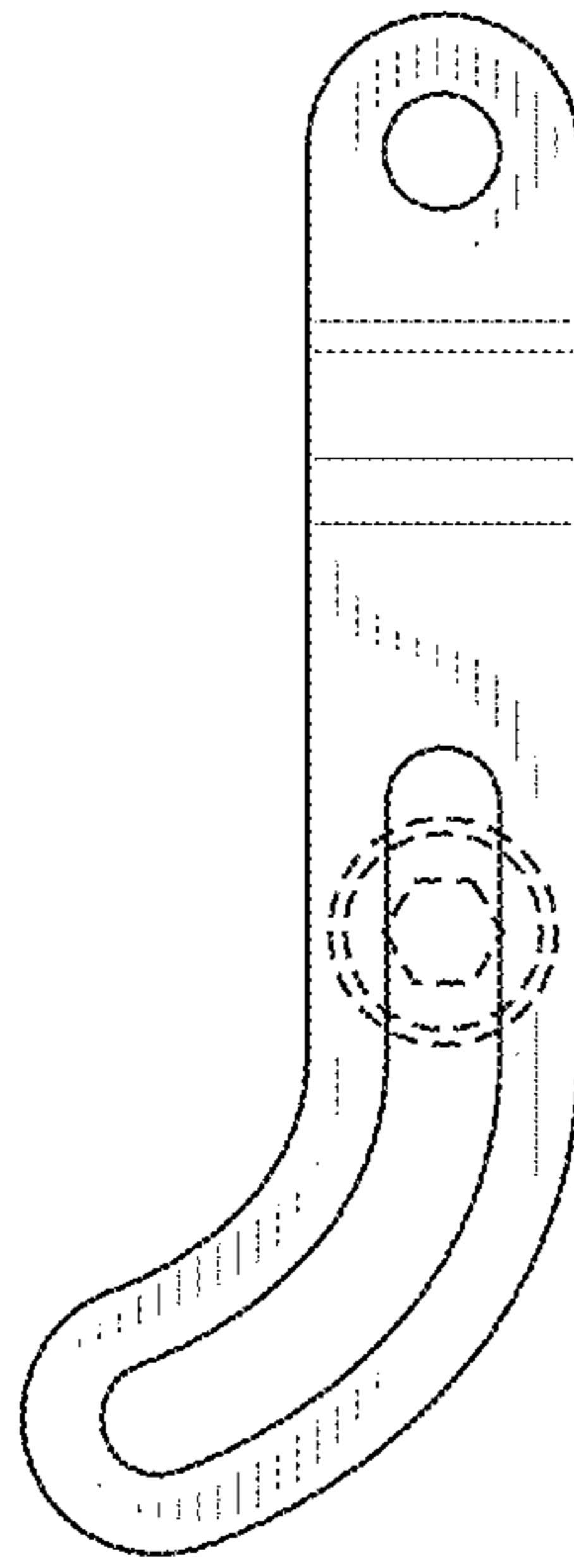


FIG. 4

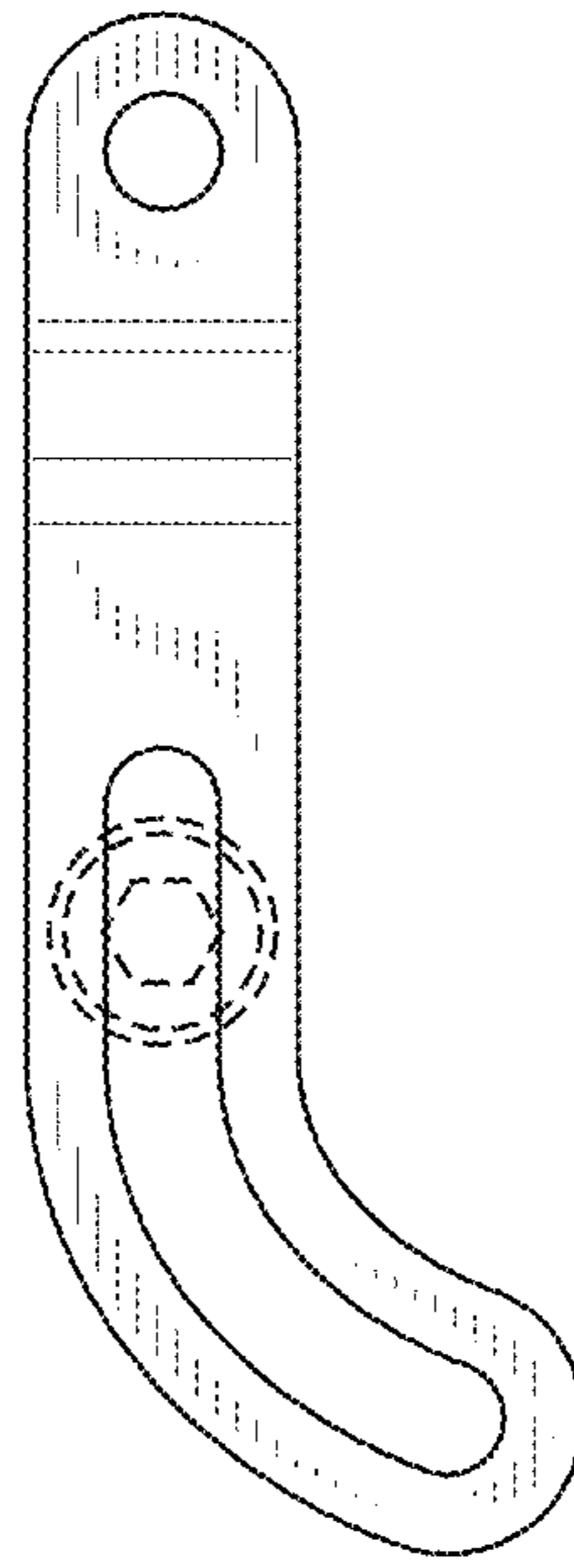


FIG. 5

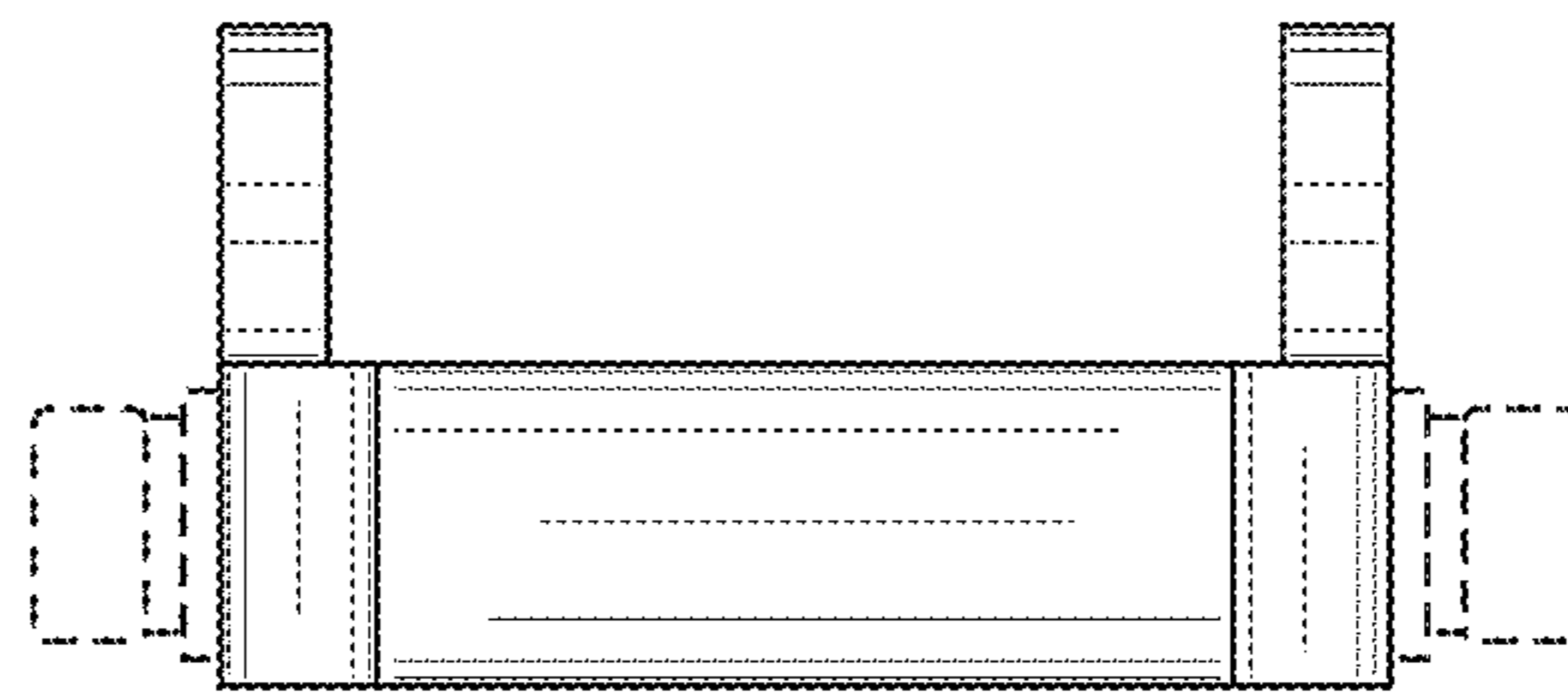


FIG. 6

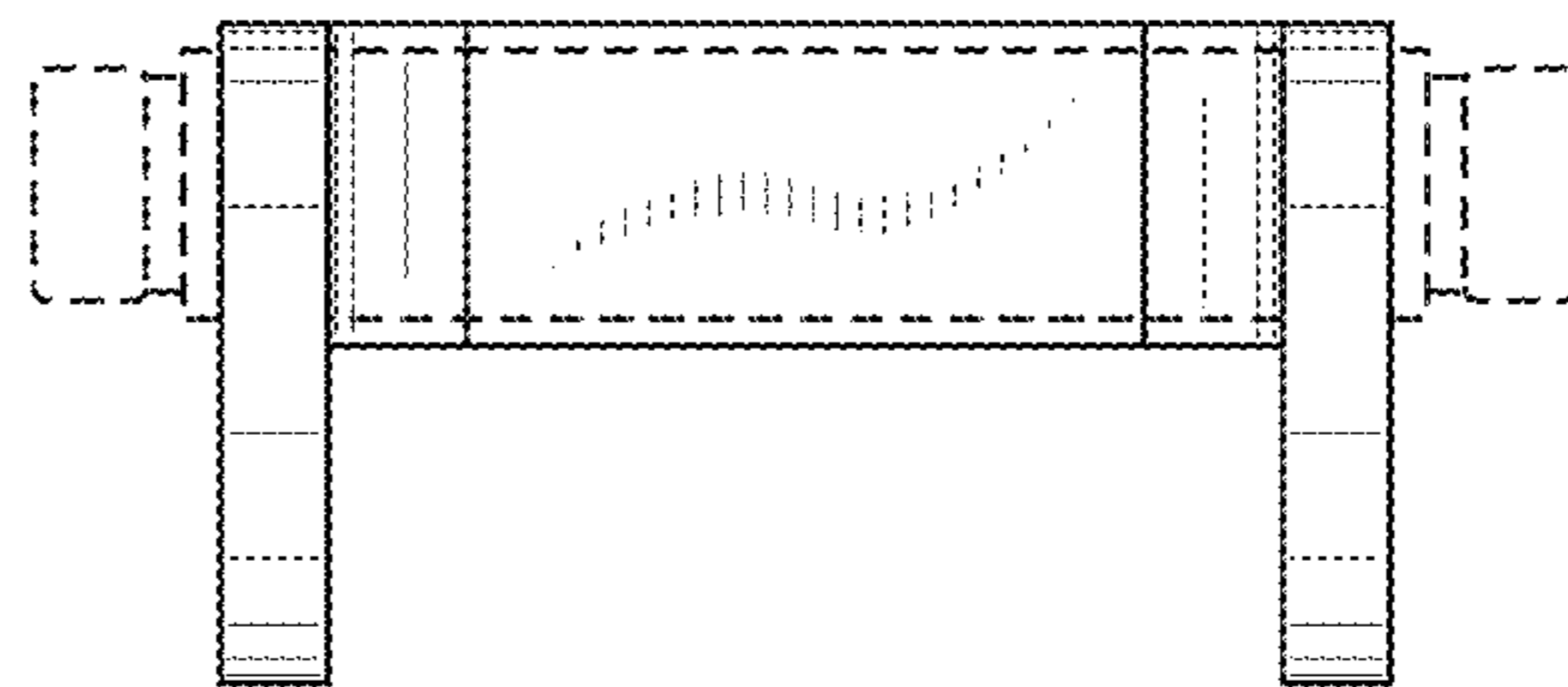


FIG. 7