



US00D803756S

(12) **United States Design Patent** (10) **Patent No.:** **US D803,756 S**
Andersen et al. (45) **Date of Patent:** **** Nov. 28, 2017**

(54) **FUEL TANK FOR A WORK VEHICLE**

(71) Applicant: **Deere & Company**, Moline, IL (US)

(72) Inventors: **Brian L. Andersen**, Reinbeck, IA (US);
James W. Wienkes, Dike, IA (US);
Craig E. Rehmert, Fairbank, IA (US)

(73) Assignee: **DEERE & COMPANY**, Moline, IL (US)

(**) Term: **15 Years**

(21) Appl. No.: **29/566,703**

(22) Filed: **Jun. 2, 2016**

(51) **LOC (10) Cl.** **12-06**

(52) **U.S. Cl.**
USPC **D12/218; D15/28**

(58) **Field of Classification Search**
USPC D12/218; D15/15, 17, 23, 28
CPC B60K 15/00; B60K 15/03; B60K 15/0306;
B60K 15/063; B60K 15/073; B60K
15/07; B62D 21/16; F02M 37/0094
See application file for complete search history.

(56) **References Cited**

U.S. PATENT DOCUMENTS

- 4,480,845 A * 11/1984 Hansen B60K 15/00
280/164.1
- D282,921 S * 3/1986 Eureka D12/218
- D433,425 S * 11/2000 Surridge D15/17
- D435,503 S * 12/2000 Gukeisen D12/218
- D441,710 S * 5/2001 Moehle D12/218
- 6,550,811 B1 * 4/2003 Bennett B60K 15/03
180/314
- D484,893 S * 1/2004 Hsiao D15/9
- D551,153 S * 9/2007 Oury D12/218
- D562,350 S * 2/2008 Higashikawa D12/218
- D564,431 S * 3/2008 Orr D12/196
- D588,054 S * 3/2009 Xi-Ren D12/218
- D644,160 S * 8/2011 Fries D12/218

- D644,161 S * 8/2011 Fries D12/218
- D647,166 S * 10/2011 Kimball D23/202
- D655,372 S * 3/2012 Kimball D23/202
- D656,520 S * 3/2012 Ortlund D12/218
- D663,325 S * 7/2012 Thunstrom D15/13
- D669,099 S * 10/2012 Ringer D15/28
- D694,167 S * 11/2013 Forsberg D12/218

(Continued)

OTHER PUBLICATIONS

New Holland T9 Saddle Tanks, New Holland [online]. [retrieved on Sep. 9, 2015]. Retrieved from the Internet: <<http://agriculture.newholland.com/us/en/About-New-Holland/Innovation/Pages/T9.aspx>>.

(Continued)

Primary Examiner — Darlington Ly

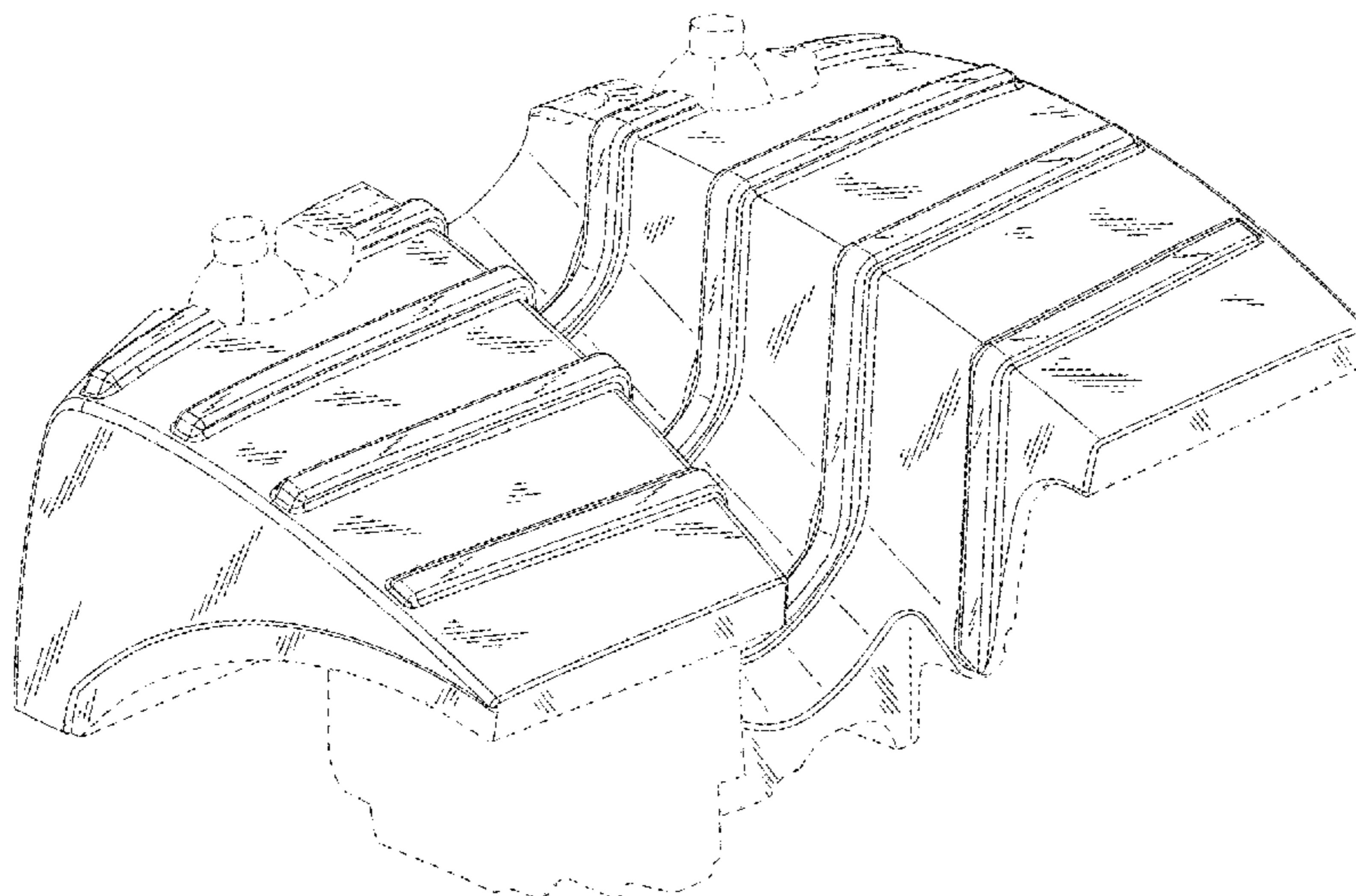
(57) **CLAIM**

The ornamental design for a fuel tank for a work vehicle, as shown and described.

DESCRIPTION

FIG. 1 is a top, rear, and left side perspective view of a fuel tank for a work vehicle showing our new design; FIG. 2 is a left side elevation view thereof; FIG. 3 is a right side elevation view thereof; FIG. 4 is a front elevation view thereof; FIG. 5 is a rear elevation view thereof; FIG. 6 is a top plan view thereof; FIG. 7 is a bottom plan view thereof; FIG. 8 is a top, rear, and left side perspective view thereof; and, FIG. 9 is a rear and left side perspective view thereof. The broken lines in the drawings illustrate an environmental work vehicle and portions of the fuel tank that form no part of the claimed design. The nature of this product is a fuel tank for a work vehicle, such as a tractor.

1 Claim, 8 Drawing Sheets



(56)

References Cited

U.S. PATENT DOCUMENTS

D695,202	S	*	12/2013	Forsberg	D12/218
D713,424	S	*	9/2014	Gonzales	D15/28
D728,632	S	*	5/2015	Klassen	D12/218
D728,633	S	*	5/2015	Klassen	D12/218
D772,773	S	*	11/2016	Andersen	D12/218
D775,238	S	*	12/2016	Roemer	D12/218
D792,479	S	*	7/2017	Sasaki	D15/17

OTHER PUBLICATIONS

Unpublished U.S. Appl. No. 29/535,446, filed Aug. 6, 2015.

* cited by examiner

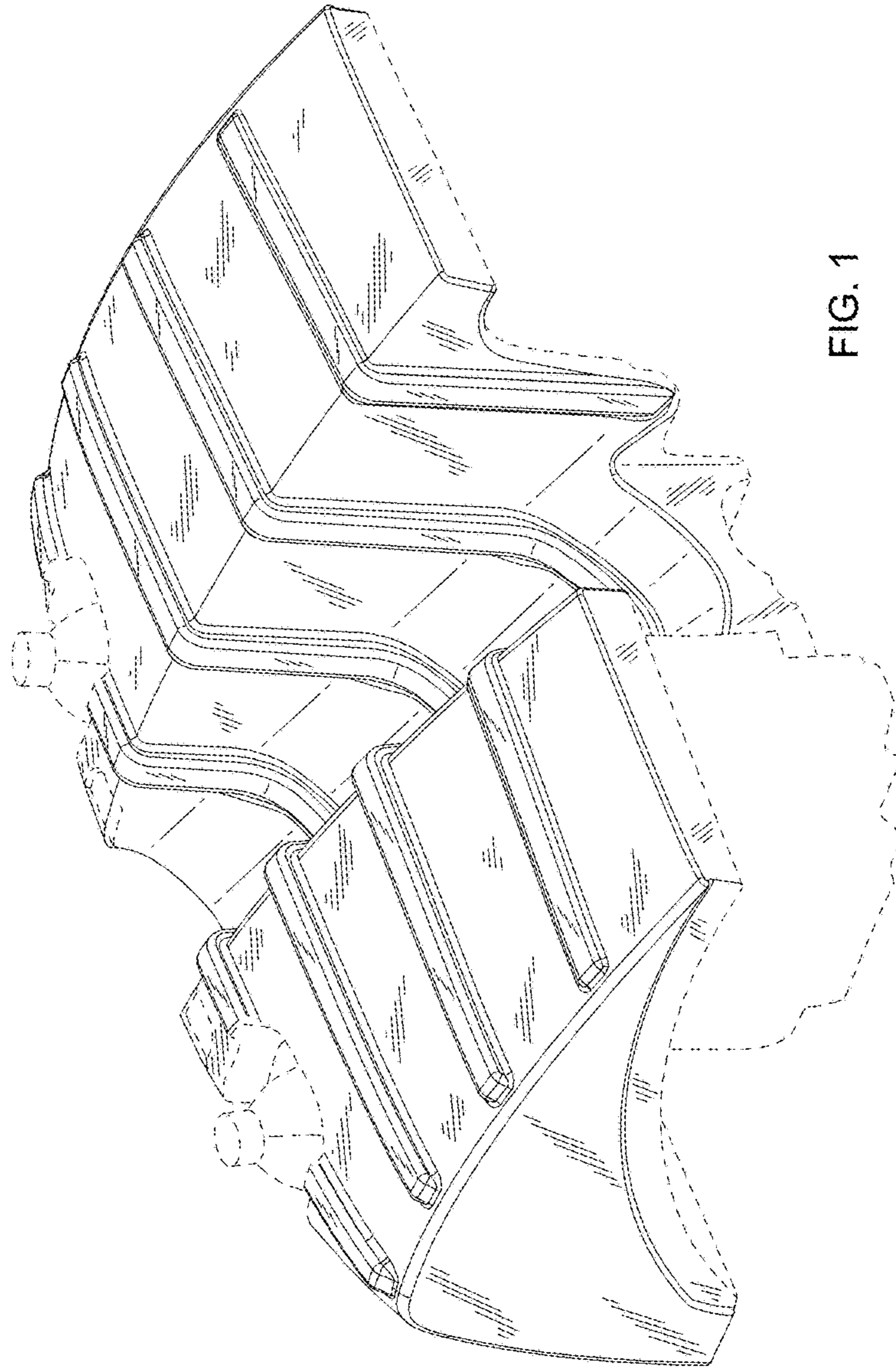


FIG. 1

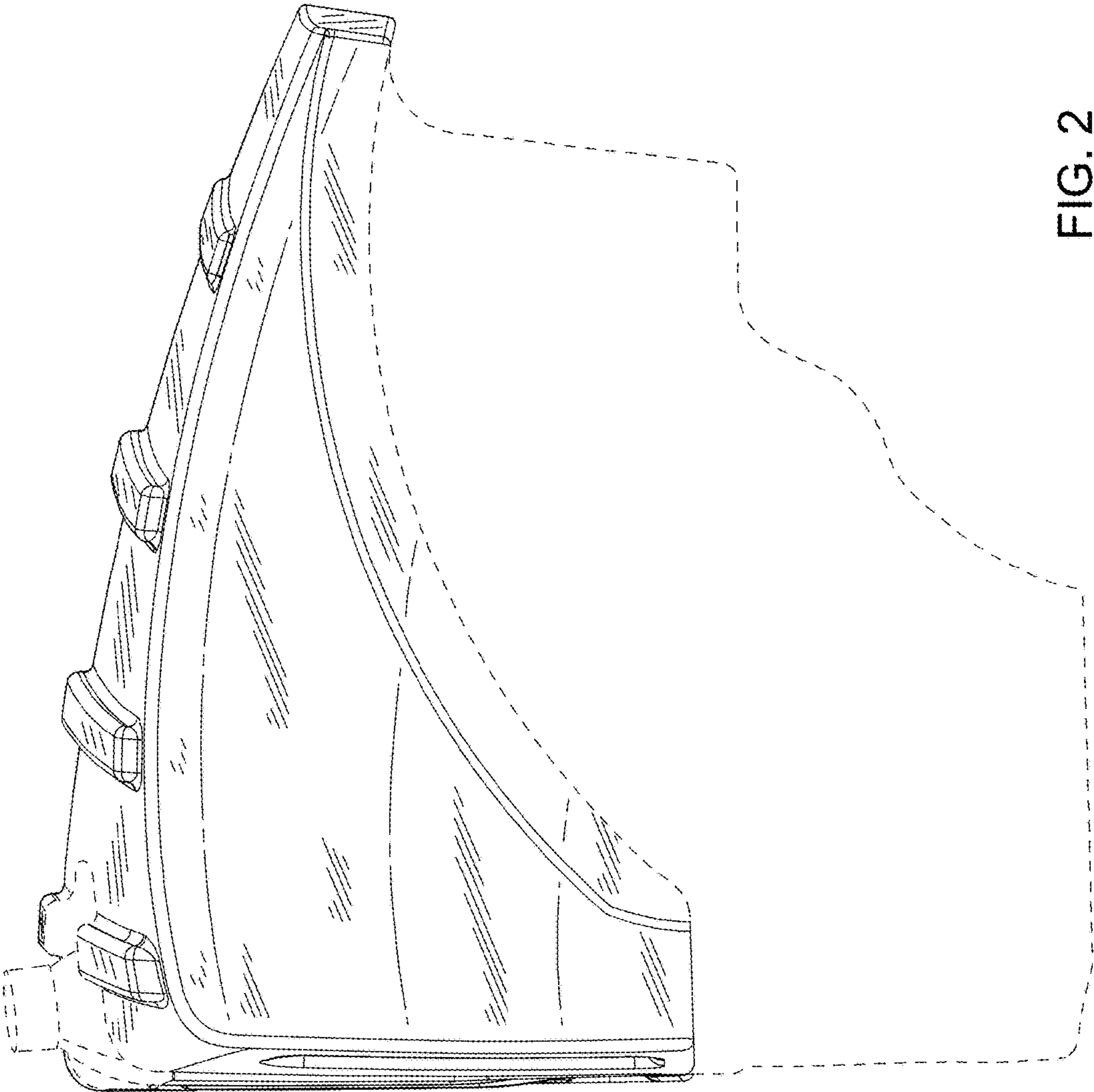


FIG. 2

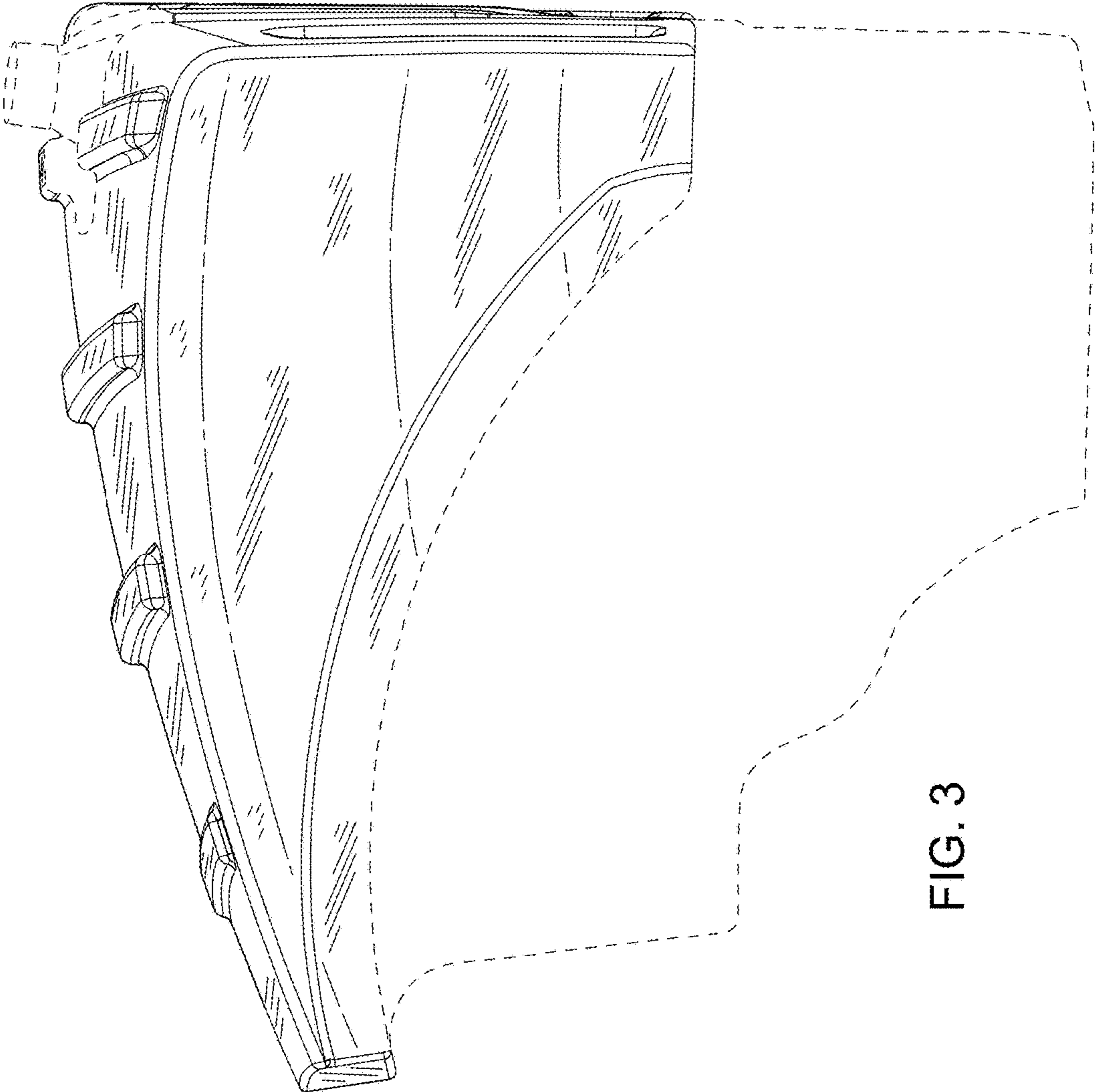


FIG. 3

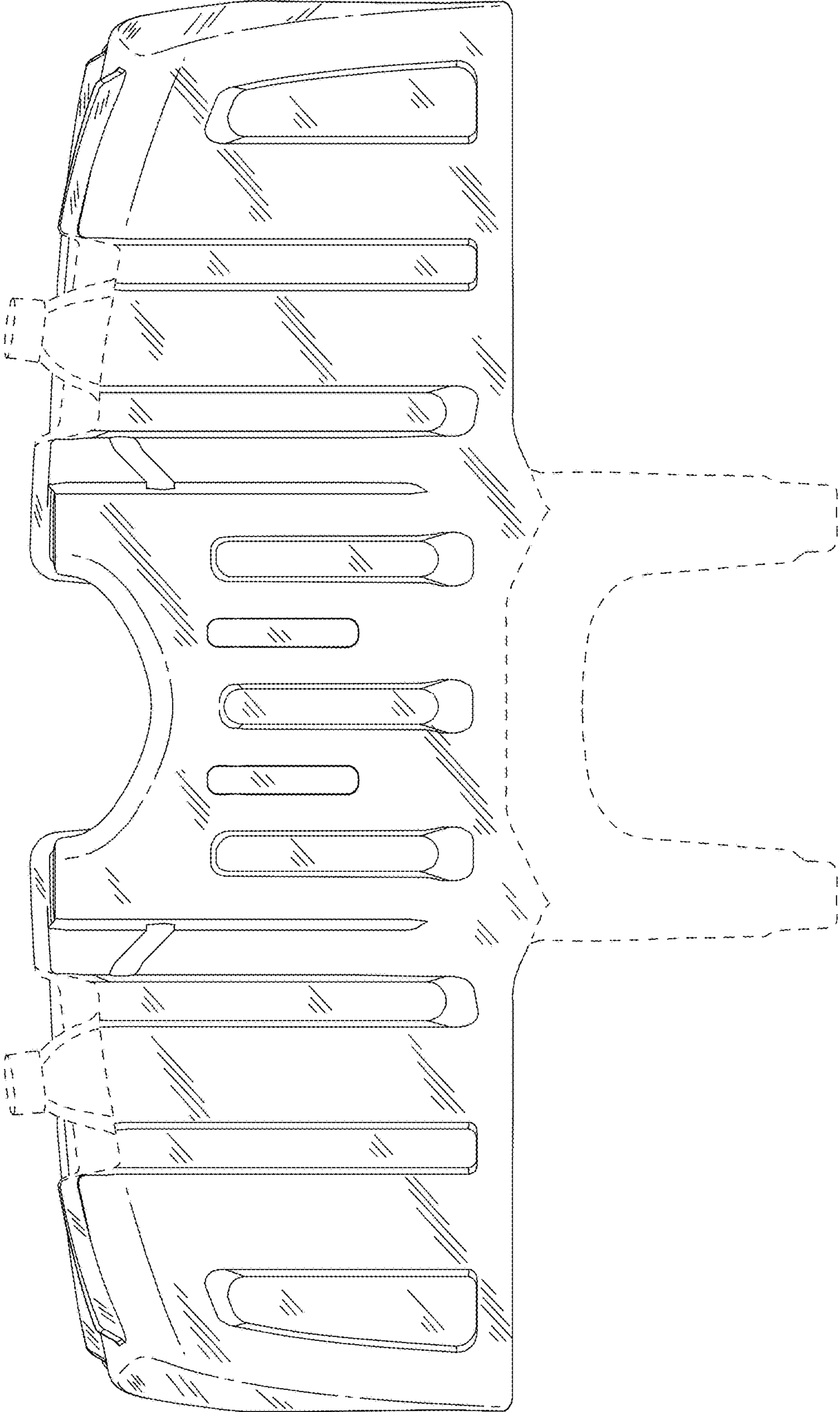


FIG. 4

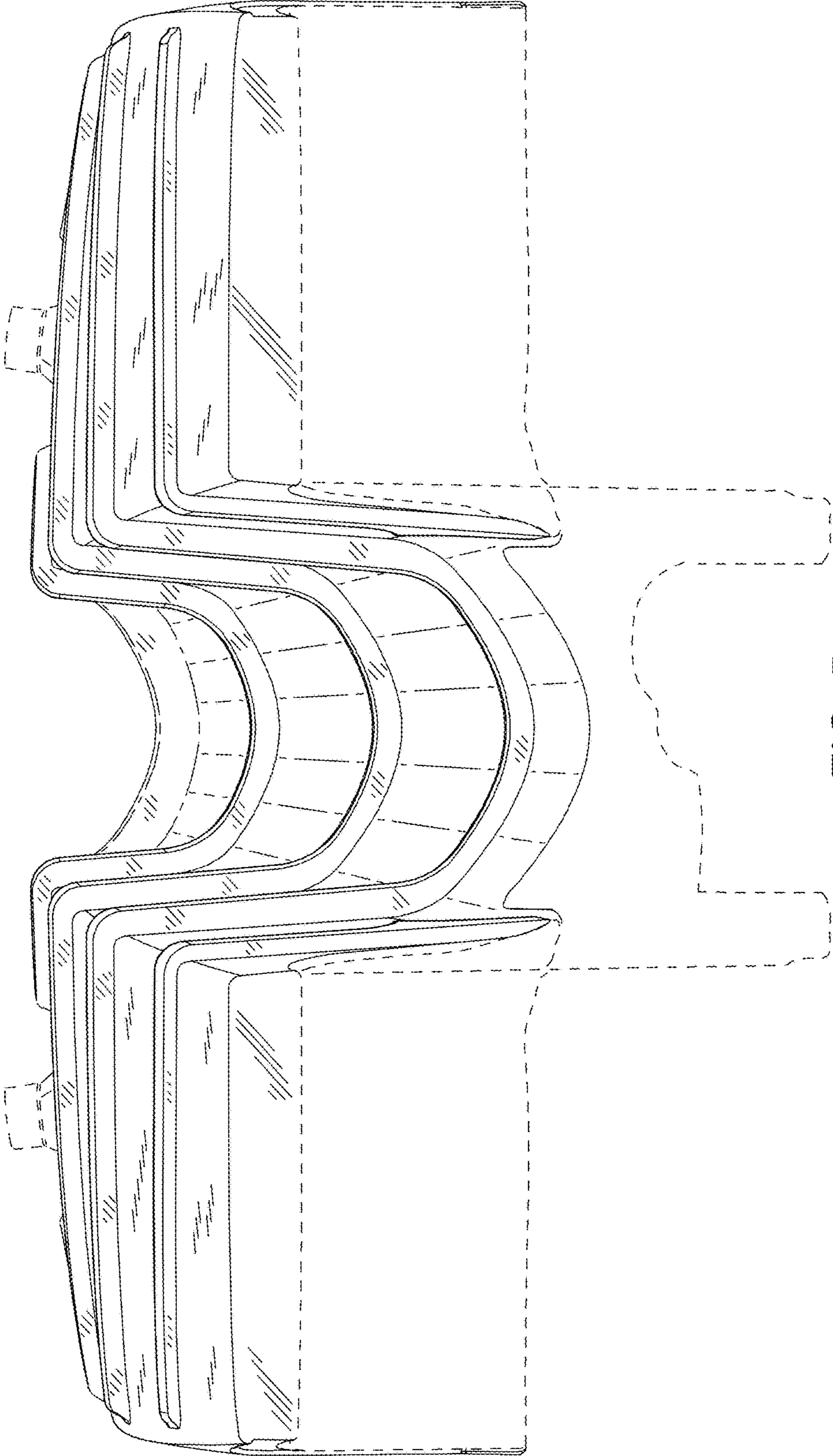


FIG. 5

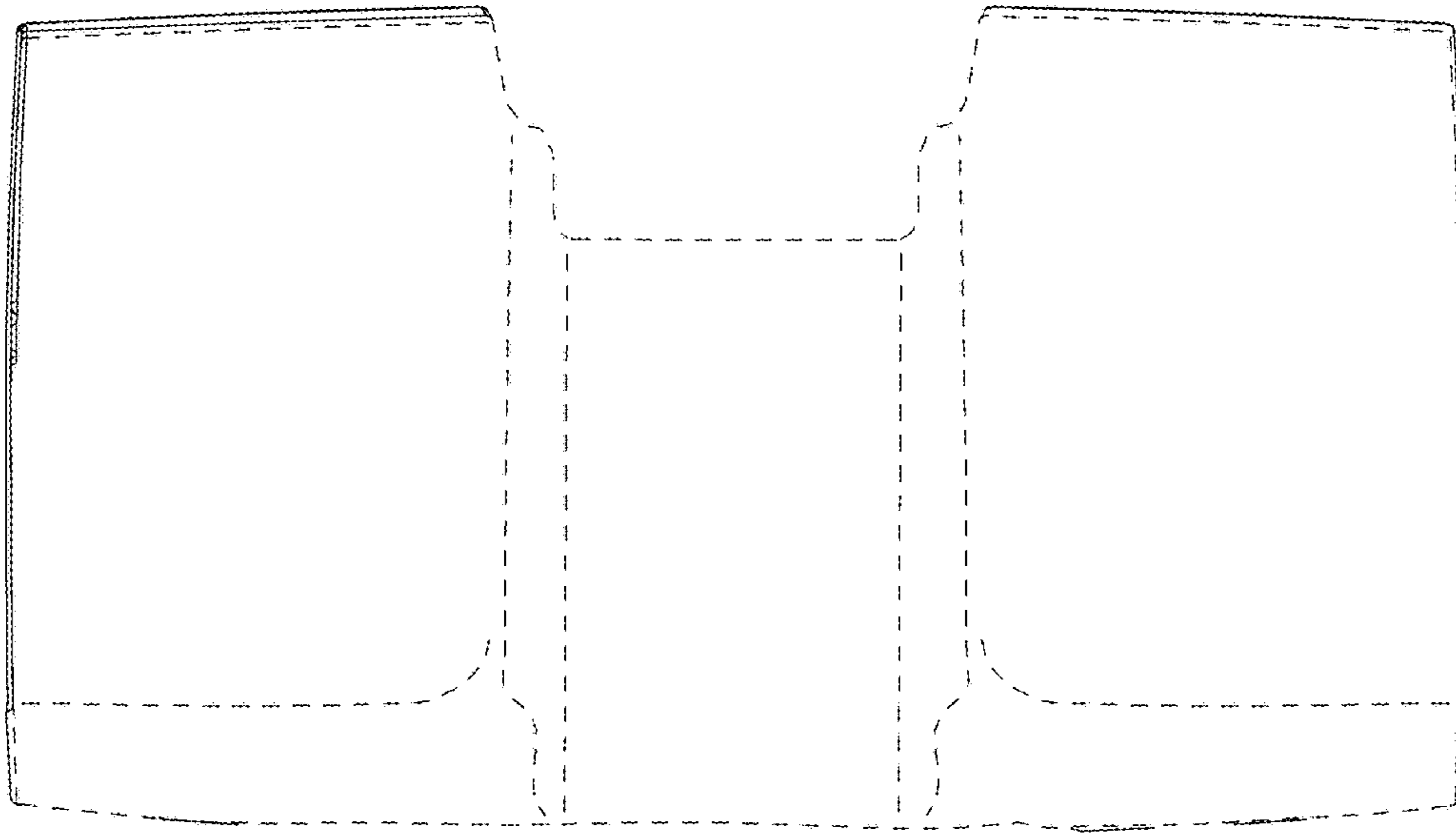


FIG. 7

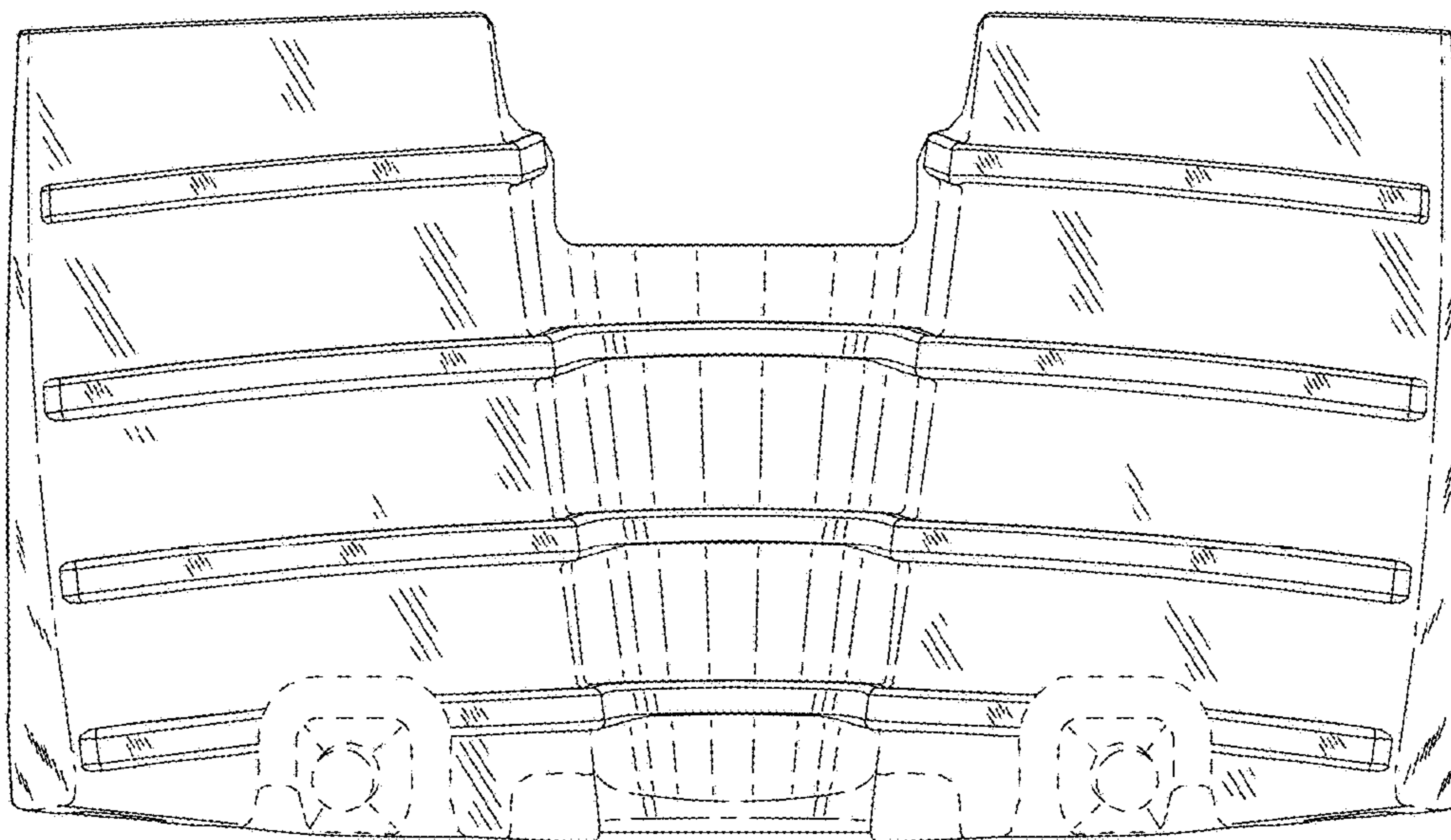


FIG. 6

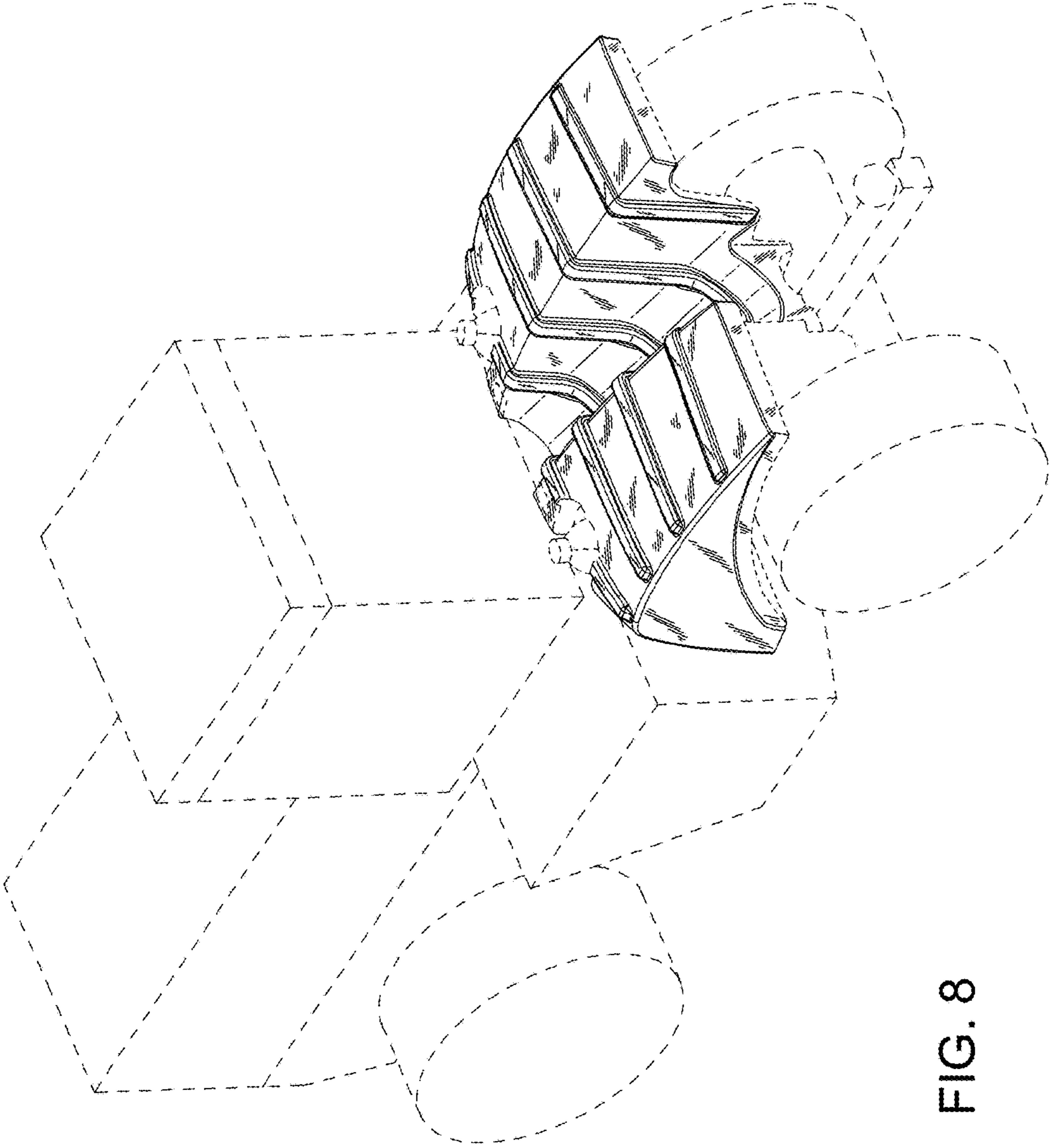


FIG. 8

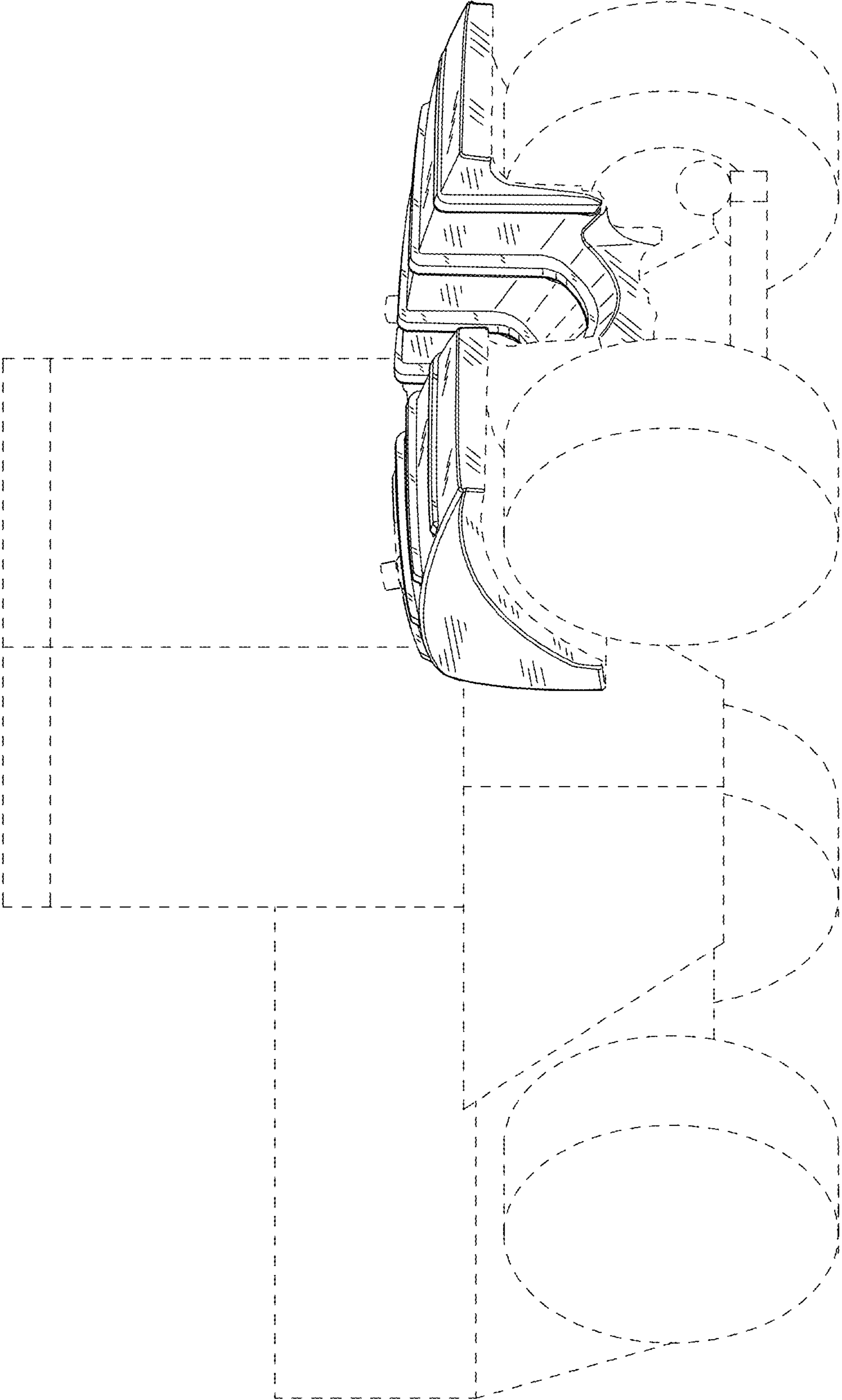


FIG. 9