



US00D803755S

(12) **United States Design Patent** (10) **Patent No.:** **US D803,755 S**  
**Widua** (45) **Date of Patent:** **\*\* Nov. 28, 2017**

(54) **VEHICLE WHEEL RIM** D596,549 S \* 7/2009 Varga ..... D12/211  
D598,836 S \* 8/2009 Blasi ..... D12/211  
(71) Applicant: **BBS GMBH**, Schiltach (DE) D613,657 S \* 4/2010 Cortes ..... D12/209  
D620,417 S \* 7/2010 Gallert ..... D12/209  
(72) Inventor: **Michael Widua**, Koenigsfeld (DE) D625,235 S \* 10/2010 Nissl ..... D12/209  
D625,675 S \* 10/2010 Juergens ..... D12/209

(73) Assignee: **BBS GMBH**, Schiltach (DE)

(\*\*) Term: **15 Years**

(21) Appl. No.: **29/582,126**

(22) Filed: **Oct. 25, 2016**

**Related U.S. Application Data**

(63) Continuation of application No. 35/500,017, filed on Jun. 2, 2015 (U.S. filing date under 35 U.S.C. 384), and having an international filing date of Jun. 2, 2015, now abandoned.

**Foreign Application Priority Data**

Jun. 2, 2015 (WO) ..... DM/086 604

(51) **LOC (10) Cl.** ..... **12-16**

(52) **U.S. Cl.**  
USPC ..... **D12/211**

(58) **Field of Classification Search**  
USPC ..... D12/204–213  
CPC .... B60B 1/00; B60B 1/08; B60B 1/10; B60B 1/12; B60B 3/04; B60B 3/06; B60B 3/10; B60B 3/02; B60B 7/00; B60B 7/01; B60B 7/02; B60B 7/04; B60B 7/06  
See application file for complete search history.

(56) **References Cited**

**U.S. PATENT DOCUMENTS**

D476,283 S \* 6/2003 Baumgartner ..... D12/211  
D533,825 S \* 12/2006 Baumgartner ..... D12/211  
D539,204 S \* 3/2007 Pollmann ..... D12/209  
D542,208 S \* 5/2007 Gallert ..... D12/211  
D542,728 S \* 5/2007 Ichinose ..... D12/211  
D589,428 S \* 3/2009 Scheu ..... D12/211

**FOREIGN PATENT DOCUMENTS**

JP 1484047.5 1/2013

**OTHER PUBLICATIONS**

JP 2015-500029, Notification of Partial Refusal issued Apr. 8, 2016, 2 pages—English, 2 pages—Japanese.

*Primary Examiner* — Darlington Ly

(74) *Attorney, Agent, or Firm* — Andrew F. Young, Esq.; Lackenbach Siegel LLP

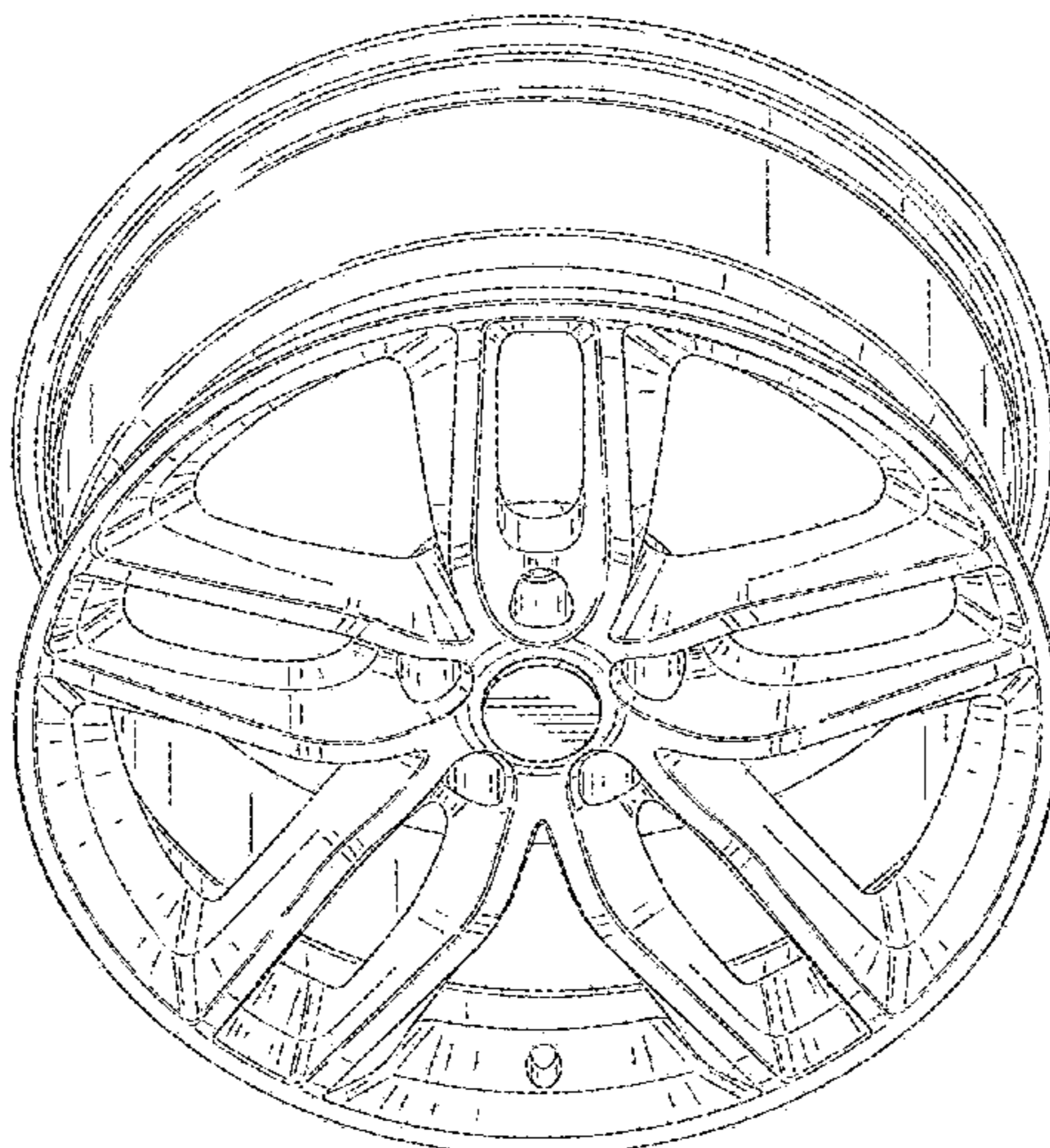
(57) **CLAIM**

The ornamental design for a vehicle wheel rim, as shown and described.

**DESCRIPTION**

FIG. 1 is a front perspective view of a vehicle wheel rim showing my new design;  
FIG. 2 is a front elevation view thereof;  
FIG. 3 is a top plan view thereof, of which the bottom plan view is a mirror image;  
FIG. 4 is a side elevation view thereof, of which the opposing side elevation view is a mirror image;  
FIG. 5 is a front perspective view of a vehicle wheel rim showing my new design in accordance with an alternate embodiment;  
FIG. 6 is a front elevation view thereof;  
FIG. 7 is a top plan view thereof, of which the bottom plan view is a mirror image; and,  
FIG. 8 is a side elevation view thereof, of which the opposing side elevation view is a mirror image.

**1 Claim, 8 Drawing Sheets**



(56)

**References Cited**

U.S. PATENT DOCUMENTS

D645,390 S *	9/2011	De Bono .....	D12/209
D651,550 S *	1/2012	Elmitt .....	D12/209
D660,763 S *	5/2012	Chan .....	D12/209
D680,482 S *	4/2013	Gruner .....	D12/209
D682,764 S *	5/2013	Amezketta .....	D12/211
D735,102 S *	7/2015	Swanseger .....	D12/209
D747,249 S *	1/2016	Lemke .....	D12/209
D748,030 S *	1/2016	Heizmann .....	D12/209
D749,484 S *	2/2016	Stopka .....	D12/209

\* cited by examiner

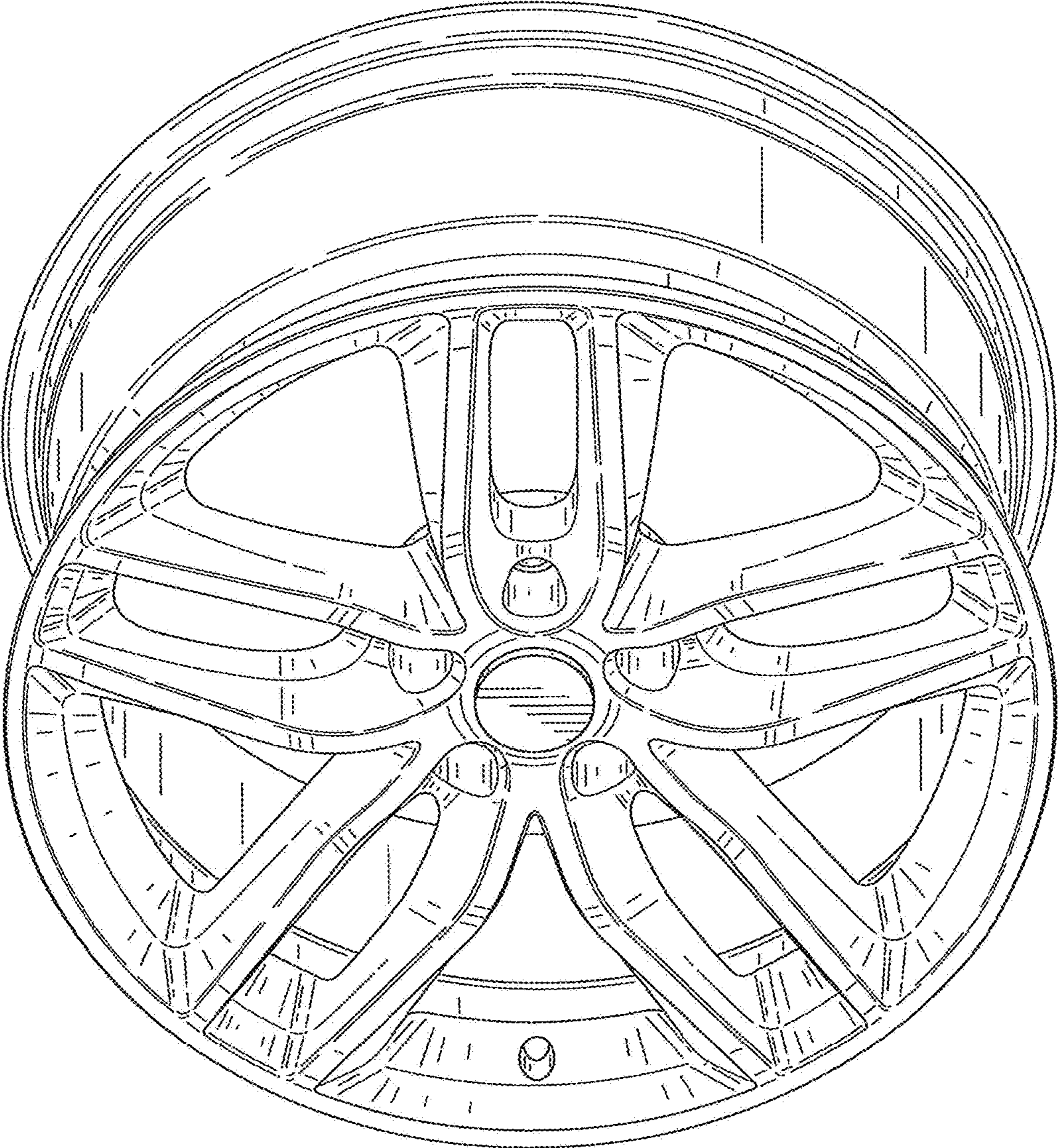


FIG. 1

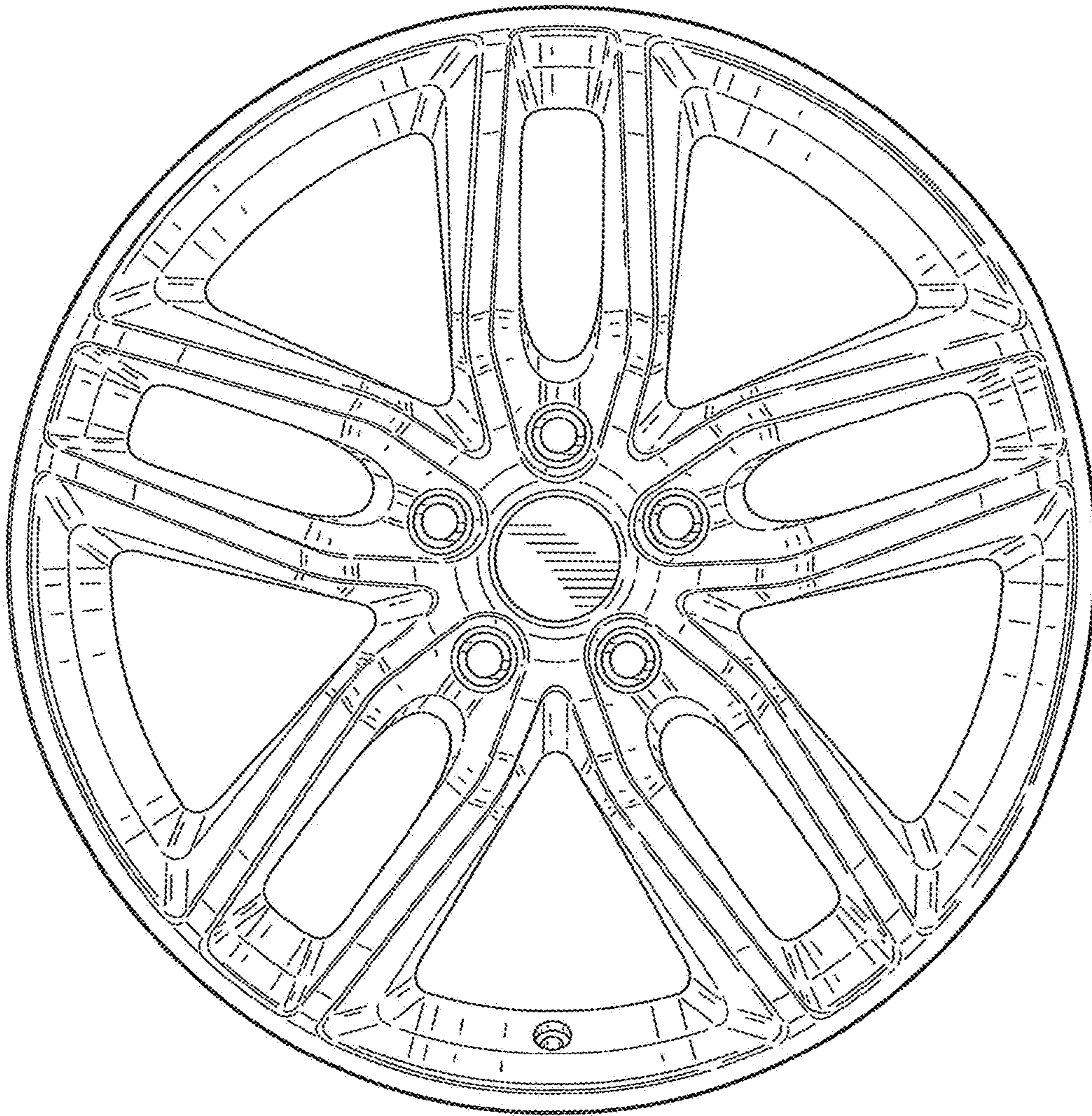


FIG. 2

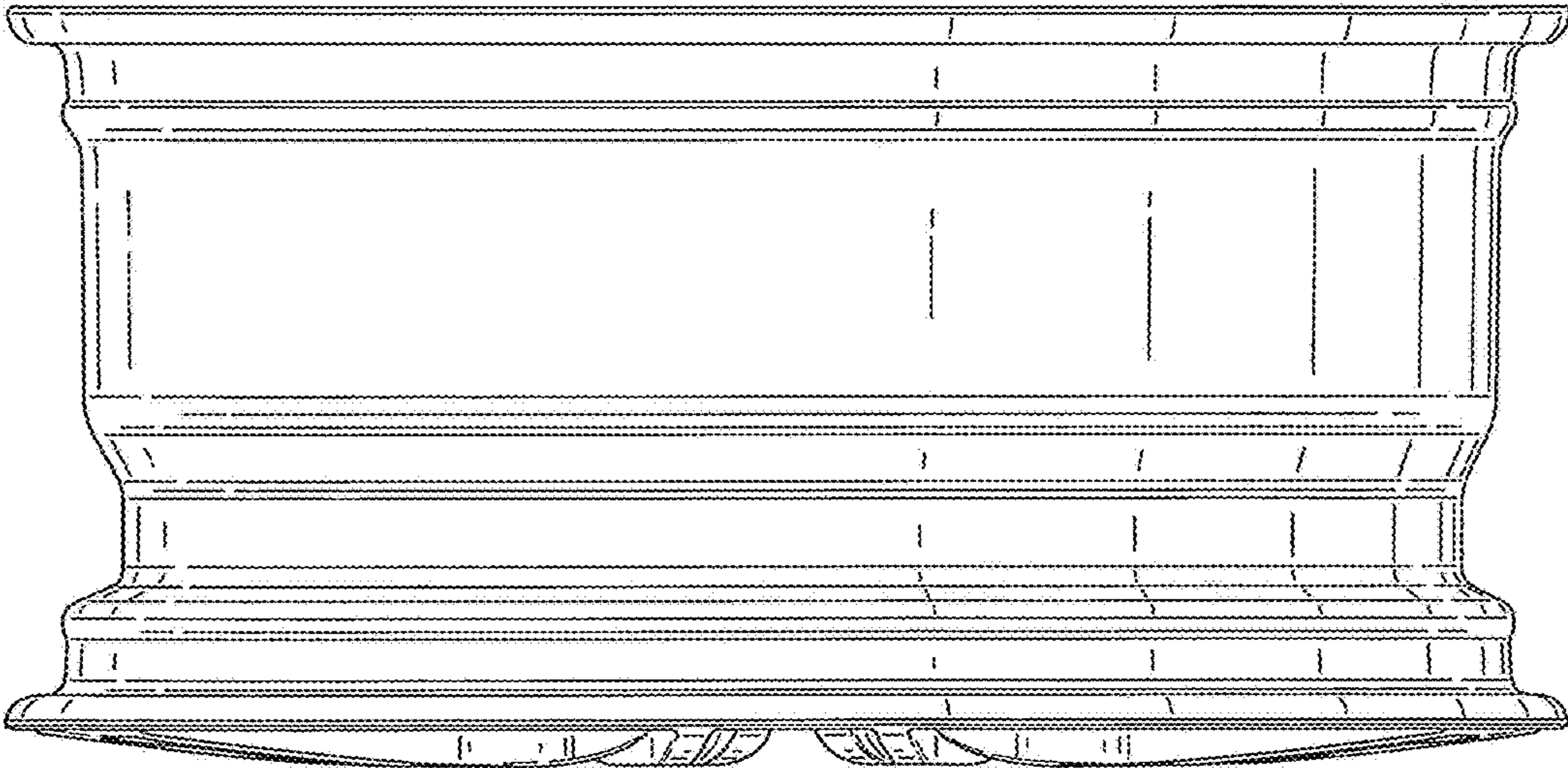


FIG. 3

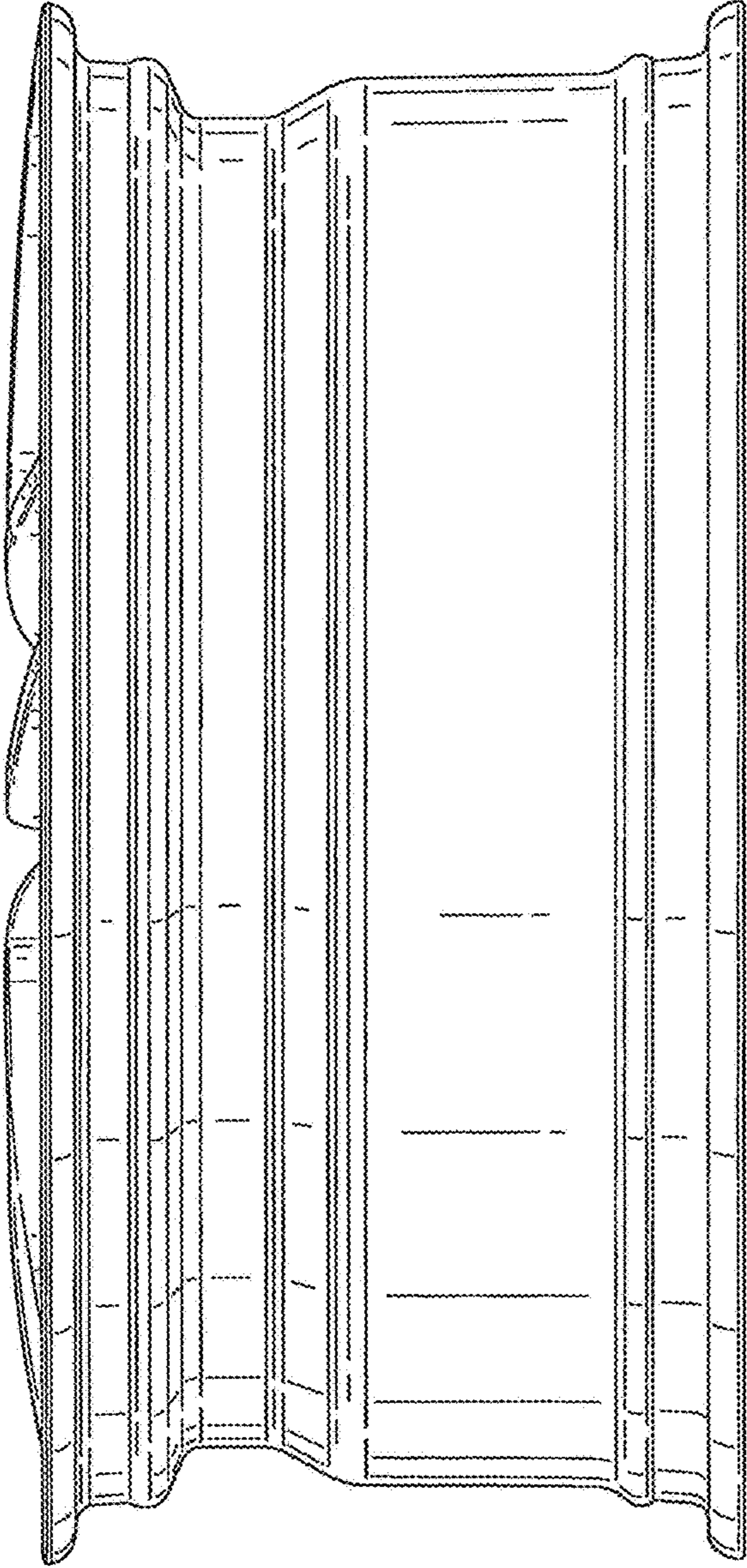


FIG. 4

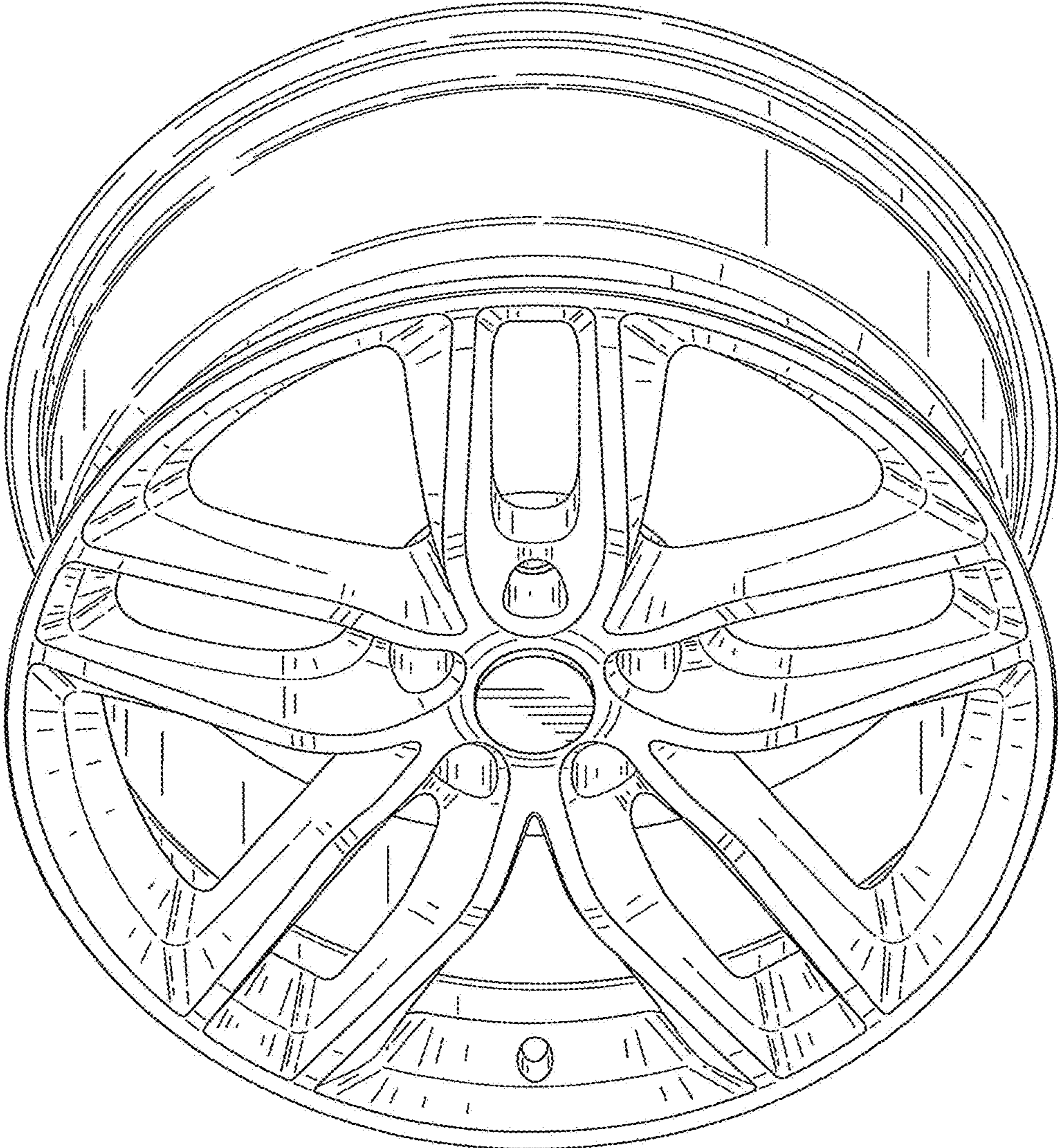


FIG. 5

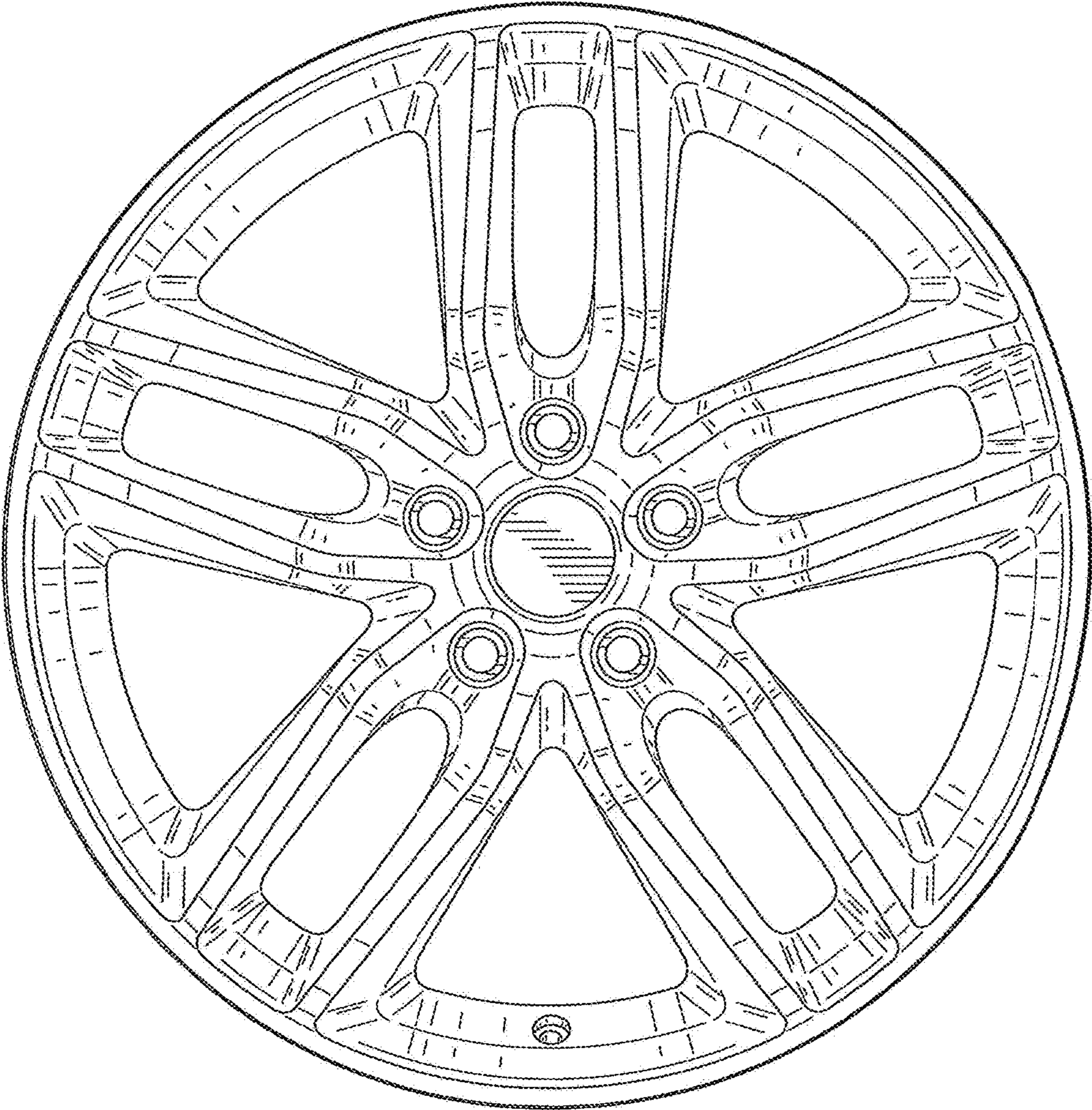


FIG. 6



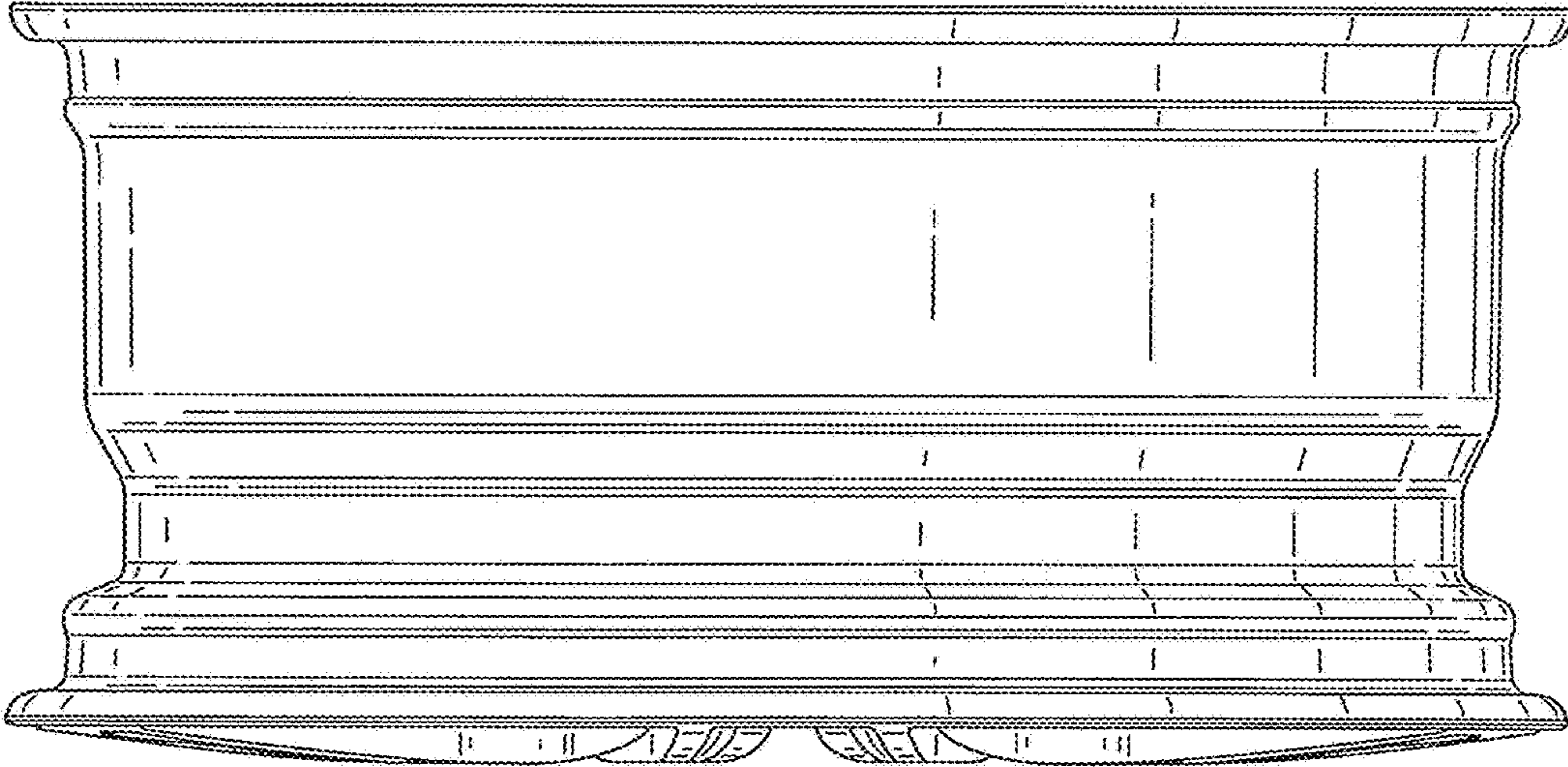


FIG. 7

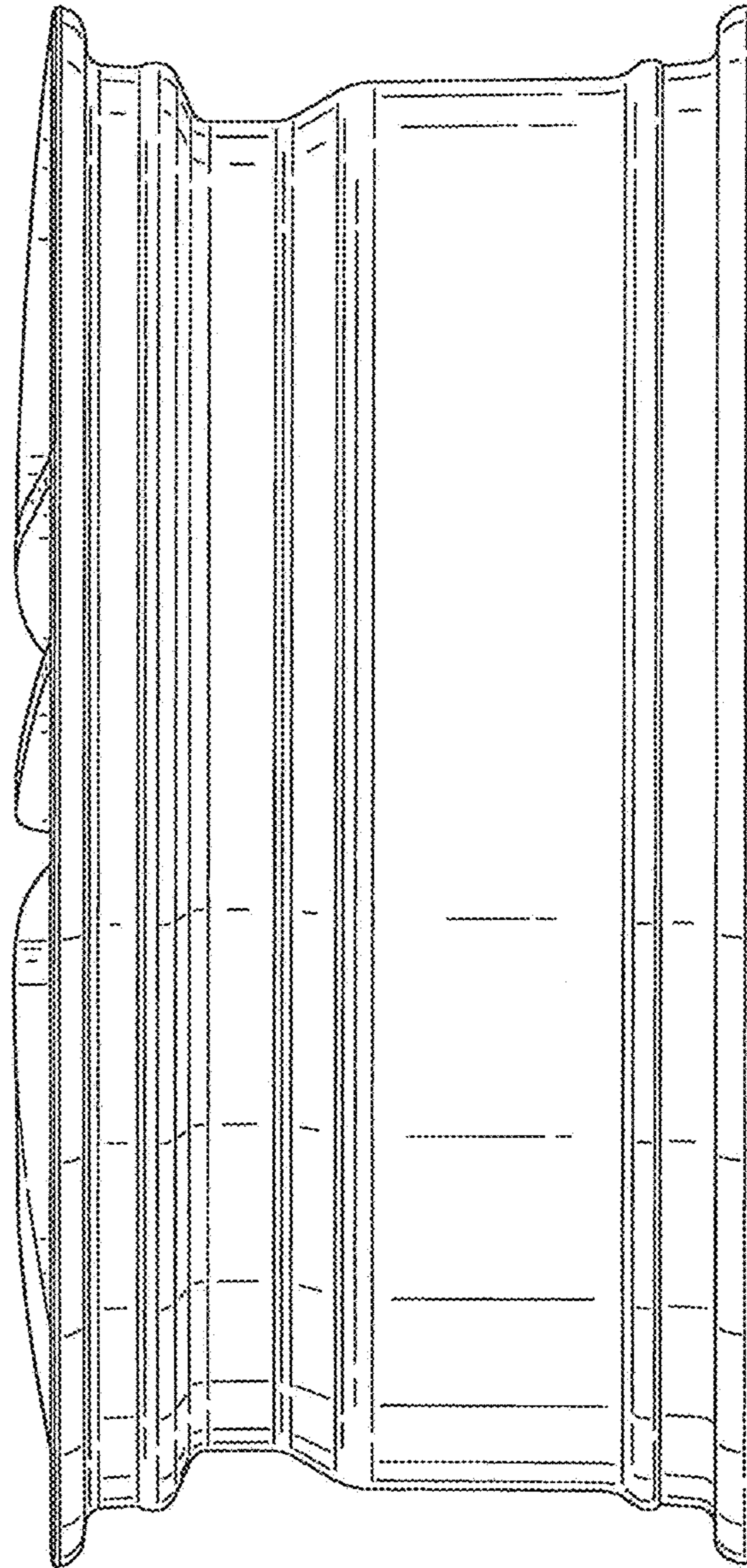


FIG. 8