



US00D803754S

(12) **United States Design Patent**  
**Chung**

(10) **Patent No.:** **US D803,754 S**

(45) **Date of Patent:** **\*\* Nov. 28, 2017**

(54) **WHEEL**

(71) Applicant: **HONDA MOTOR CO., LTD.**,  
Minato-ku, Tokyo (JP)

(72) Inventor: **Jae Chung**, Irvine, CA (US)

(73) Assignee: **HONDA MOTOR CO., LTD.**, Tokyo  
(JP)

(\*\*) Term: **15 Years**

(21) Appl. No.: **29/576,132**

(22) Filed: **Aug. 31, 2016**

(51) **LOC (10) Cl.** ..... **12-16**

(52) **U.S. Cl.**  
USPC ..... **D12/211**

(58) **Field of Classification Search**  
USPC ..... D12/204–213  
CPC .... B60B 7/00; B60B 7/02; B60B 7/04; B60B  
7/01; B60B 7/06; B60B 3/02; B60B 3/04;  
B60B 3/06; B60B 3/10; B60B 1/00;  
B60B 1/08; B60B 1/10; B60B 1/12  
See application file for complete search history.

(56) **References Cited**

**U.S. PATENT DOCUMENTS**

D508,007 S *	8/2005	Koch	.....	D12/211
D525,184 S *	7/2006	Huet	.....	D12/211
D527,333 S *	8/2006	Blasi	.....	D12/211
D535,935 S *	1/2007	Scheu	.....	D12/211
D593,922 S *	6/2009	Blasi	.....	D12/211
D609,624 S *	2/2010	Matsubara	.....	D12/211
D617,715 S *	6/2010	Gallert	.....	D12/211
D617,717 S *	6/2010	Nordmann	.....	D12/211
D619,071 S *	7/2010	Christensen	.....	D12/211
D632,240 S *	2/2011	Szews	.....	D12/211
D634,692 S *	3/2011	Stefanov	.....	D12/211
D639,225 S *	6/2011	Forschner	.....	D12/211
D639,226 S *	6/2011	Juergens	.....	D12/211

D639,715 S *	6/2011	Furst	.....	D12/209
D649,502 S *	11/2011	Platto	.....	D12/209
D666,548 S *	9/2012	Antoniadis	.....	D12/211
D669,010 S *	10/2012	Nakano	.....	D12/211
D671,060 S *	11/2012	Baum	.....	D12/209
D671,881 S *	12/2012	Roura	.....	D12/211
D682,180 S *	5/2013	Zhao	.....	D12/211
D686,965 S *	7/2013	Pollmann	.....	D12/211
D731,391 S *	6/2015	Zhao	.....	D12/211
D734,233 S *	7/2015	Wheel	.....	D12/209
D738,281 S *	9/2015	Watkin	.....	D12/211
D739,329 S *	9/2015	Watkin	.....	D12/211
D741,772 S *	10/2015	Lesnik	.....	D12/211
D759,565 S *	6/2016	Cybulski	.....	D12/209
D767,466 S *	9/2016	Juergens	.....	D12/211
D769,784 S *	10/2016	Bazinski	.....	D12/209
D774,435 S *	12/2016	Vartola	.....	D12/209

(Continued)

*Primary Examiner* — Stacia Cadmus

(74) *Attorney, Agent, or Firm* — Arent Fox LLP

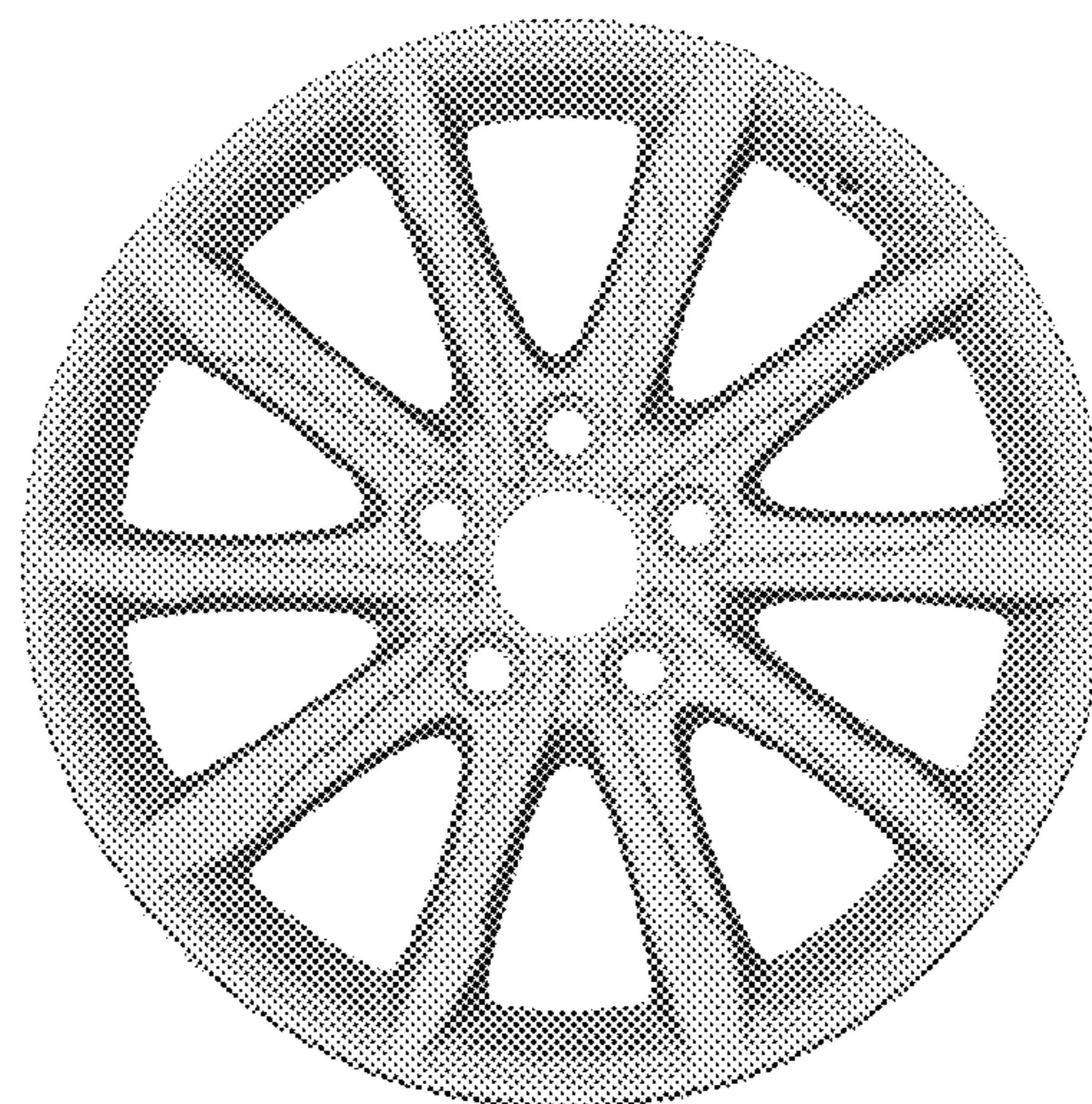
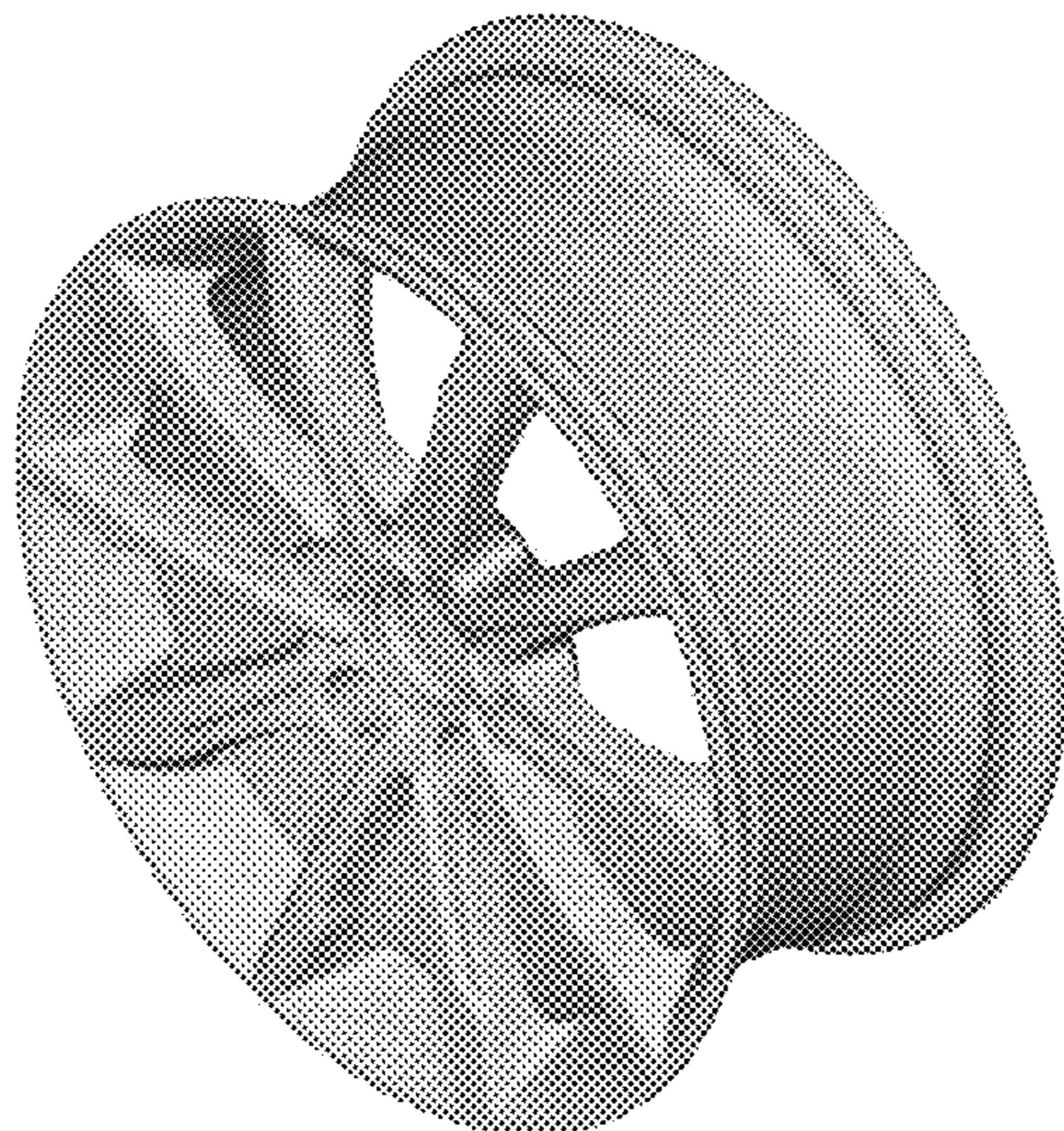
(57) **CLAIM**

The ornamental design for a wheel, as shown and described.

**DESCRIPTION**

FIG. 1 is a front right perspective view of a wheel showing our new design;  
 FIG. 2 is a rear right perspective view of the design shown in FIG. 1;  
 FIG. 3 is a rear left perspective view of the design shown in FIG. 1;  
 FIG. 4 is a front left perspective view of the design shown in FIG. 1;  
 FIG. 5 is a left side view of the design shown in FIG. 1;  
 FIG. 6 is a right side view of the design shown in FIG. 1;  
 FIG. 7 is a rear view of the design shown in FIG. 1;  
 FIG. 8 is a front view of the design shown in FIG. 1;  
 FIG. 9 is a top view of the design shown in FIG. 1; and,  
 FIG. 10 is a bottom view of the design shown in FIG. 1.

**1 Claim, 10 Drawing Sheets**



(56)

**References Cited**

U.S. PATENT DOCUMENTS

D781,206 S \* 3/2017 Giolito ..... D12/211  
D785,533 S \* 5/2017 Pires ..... D12/209

\* cited by examiner



FIGURE 1

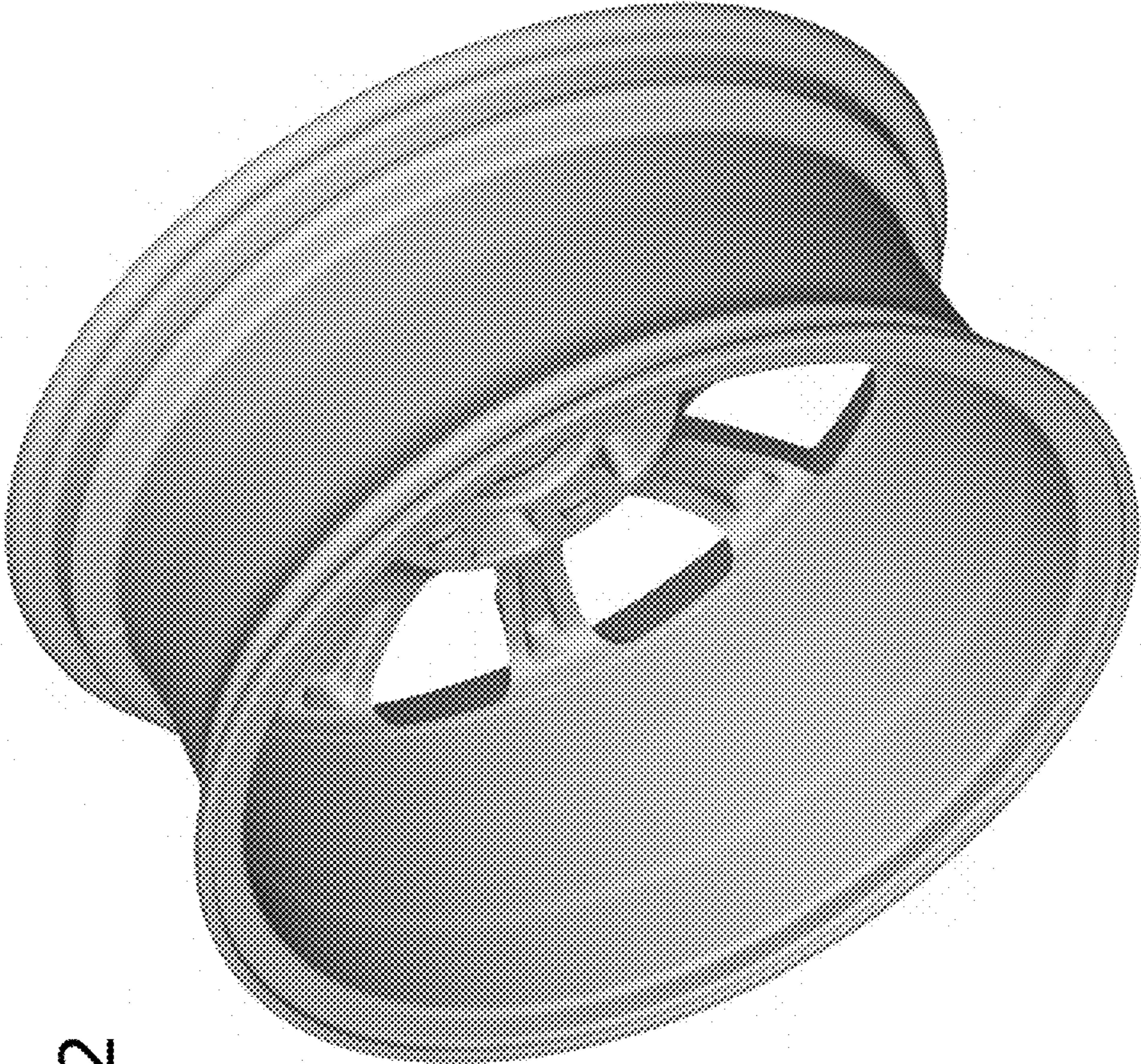


FIGURE 2

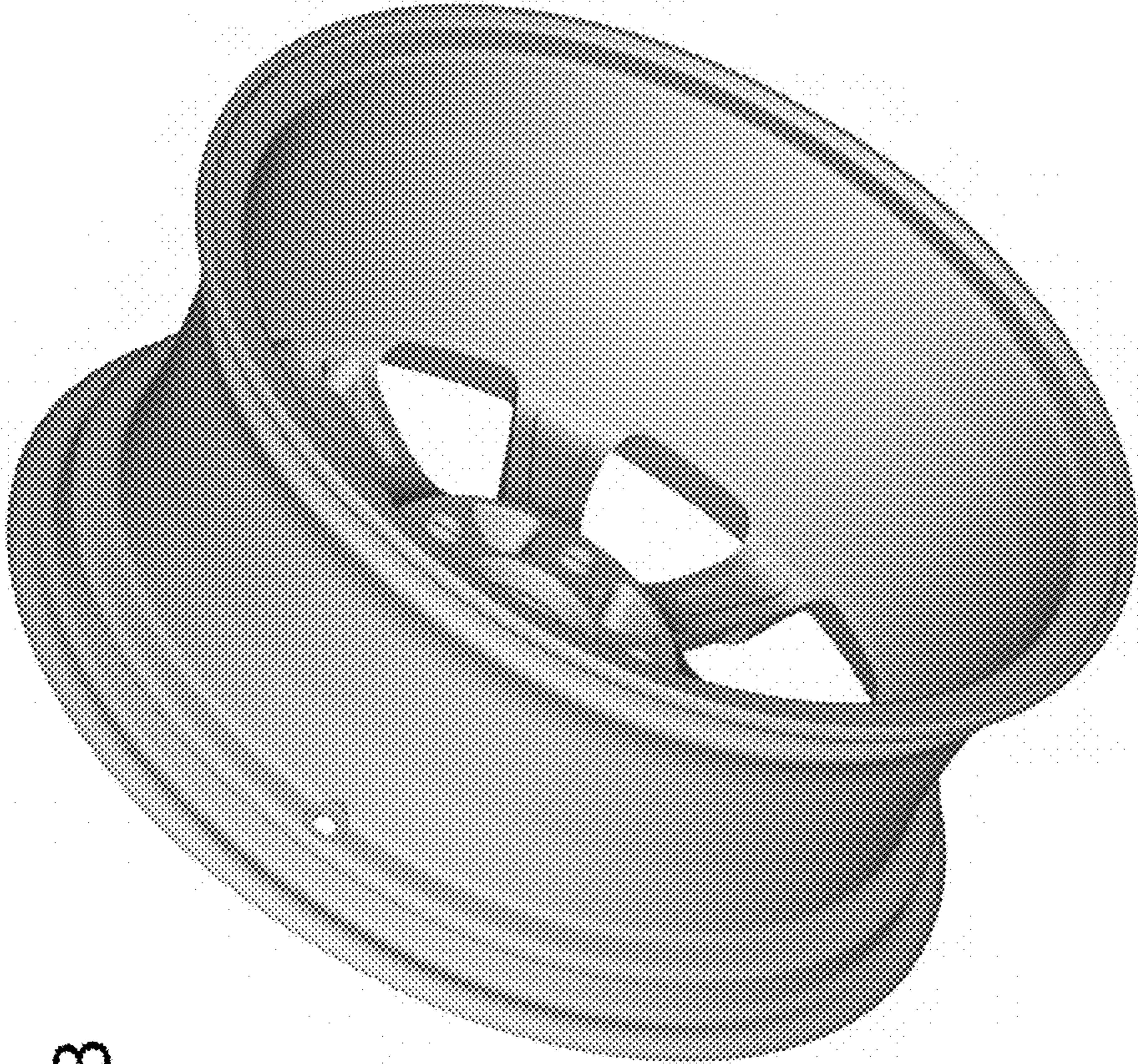


FIGURE 3

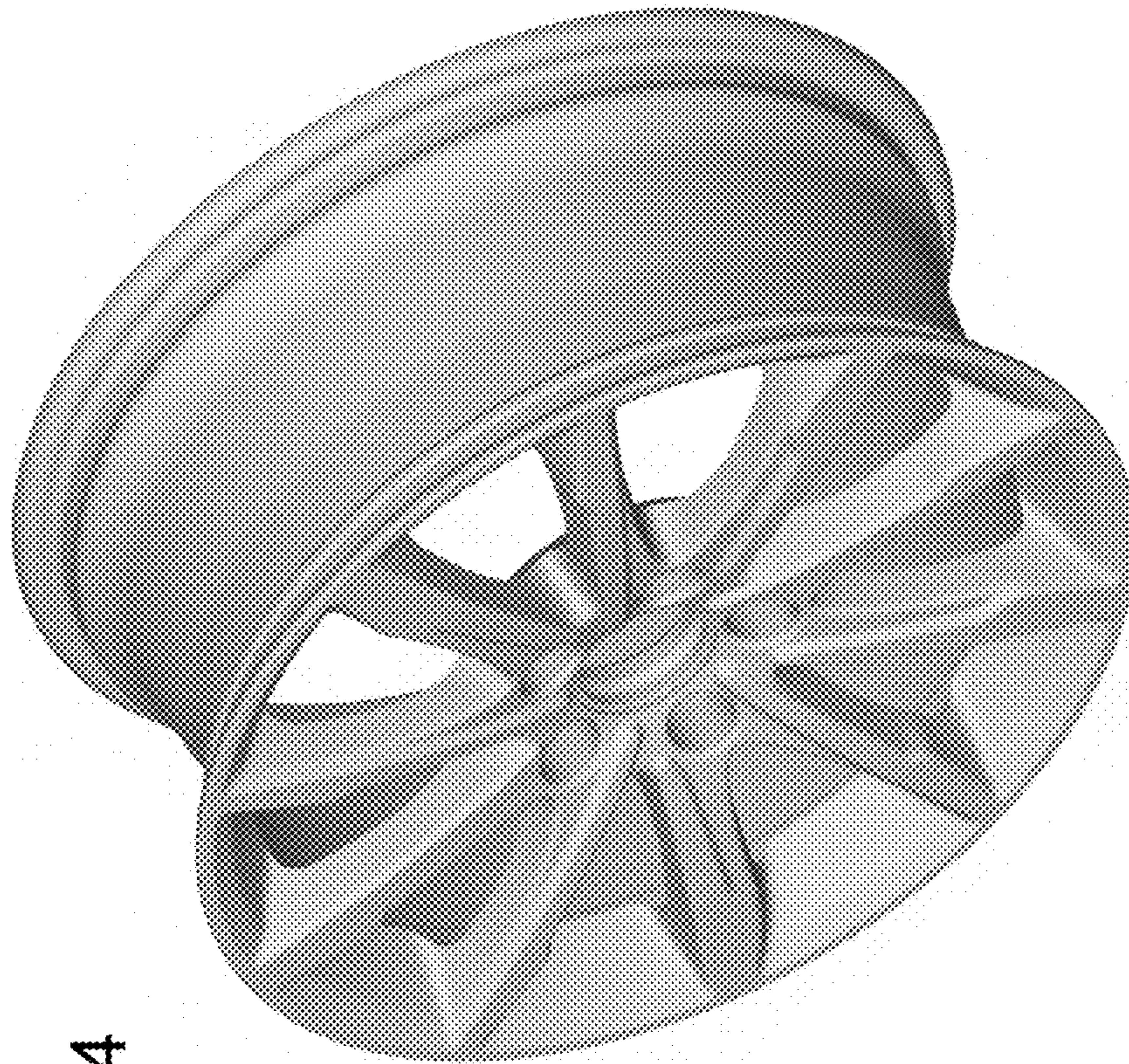


FIGURE 4

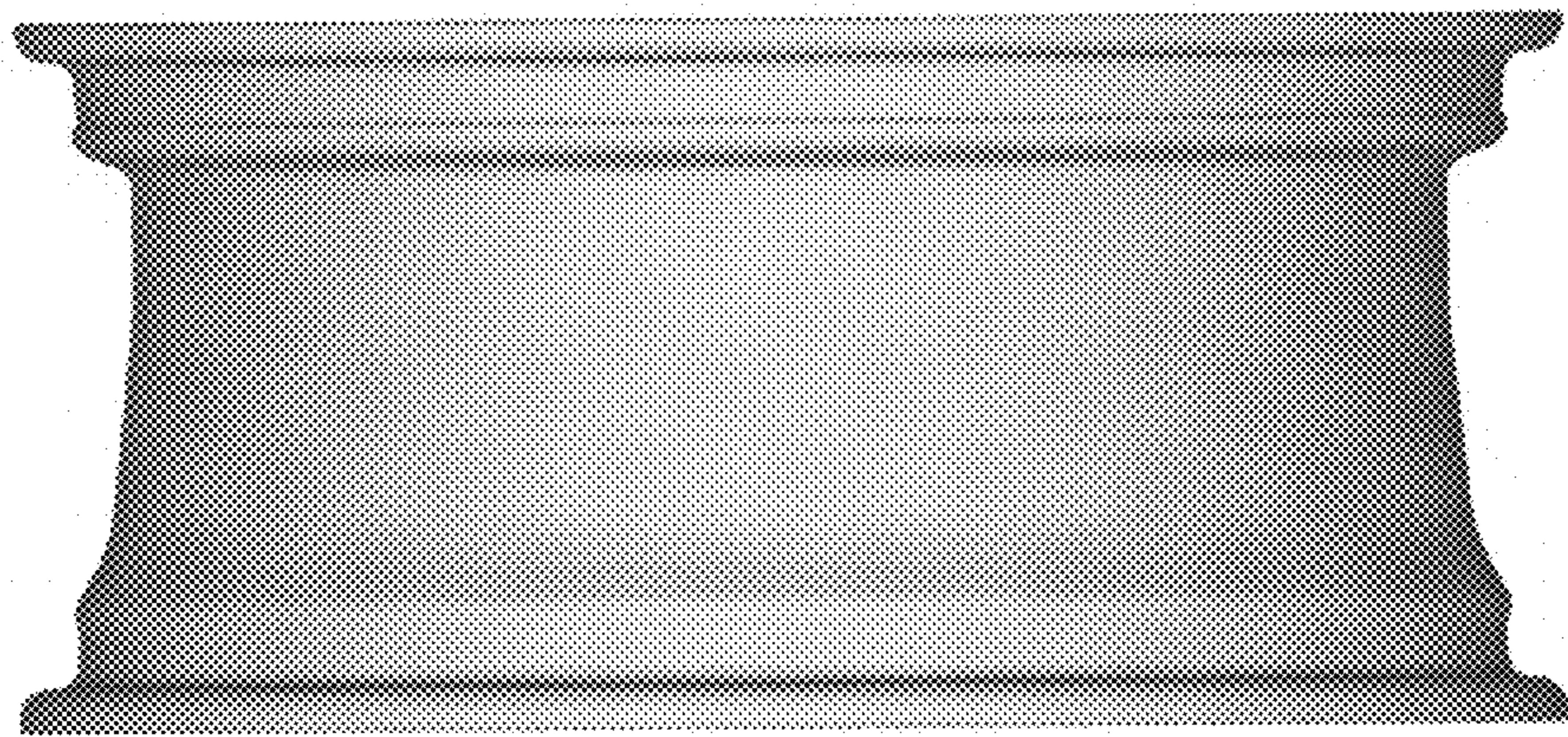


FIGURE 5

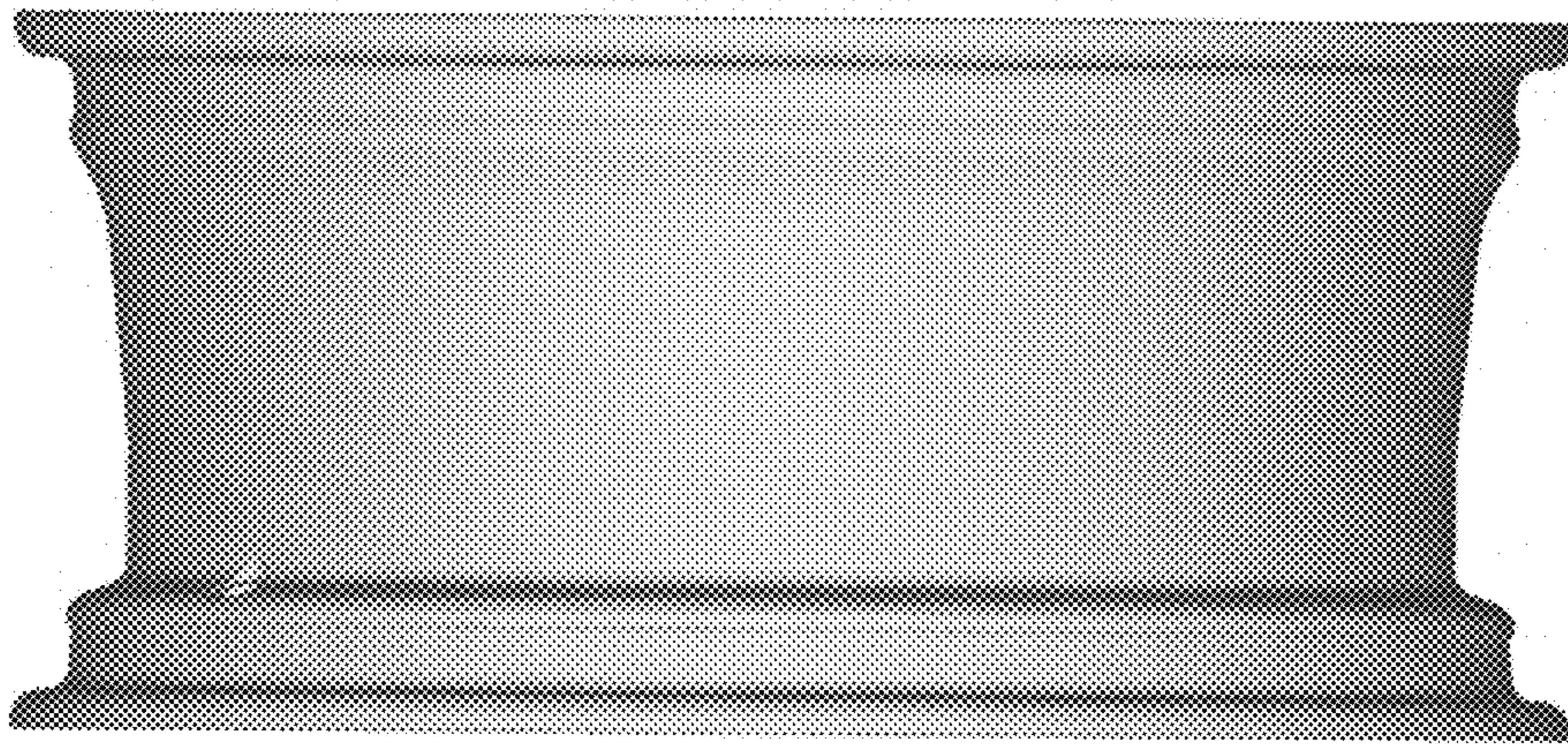


FIGURE 6





FIGURE 7

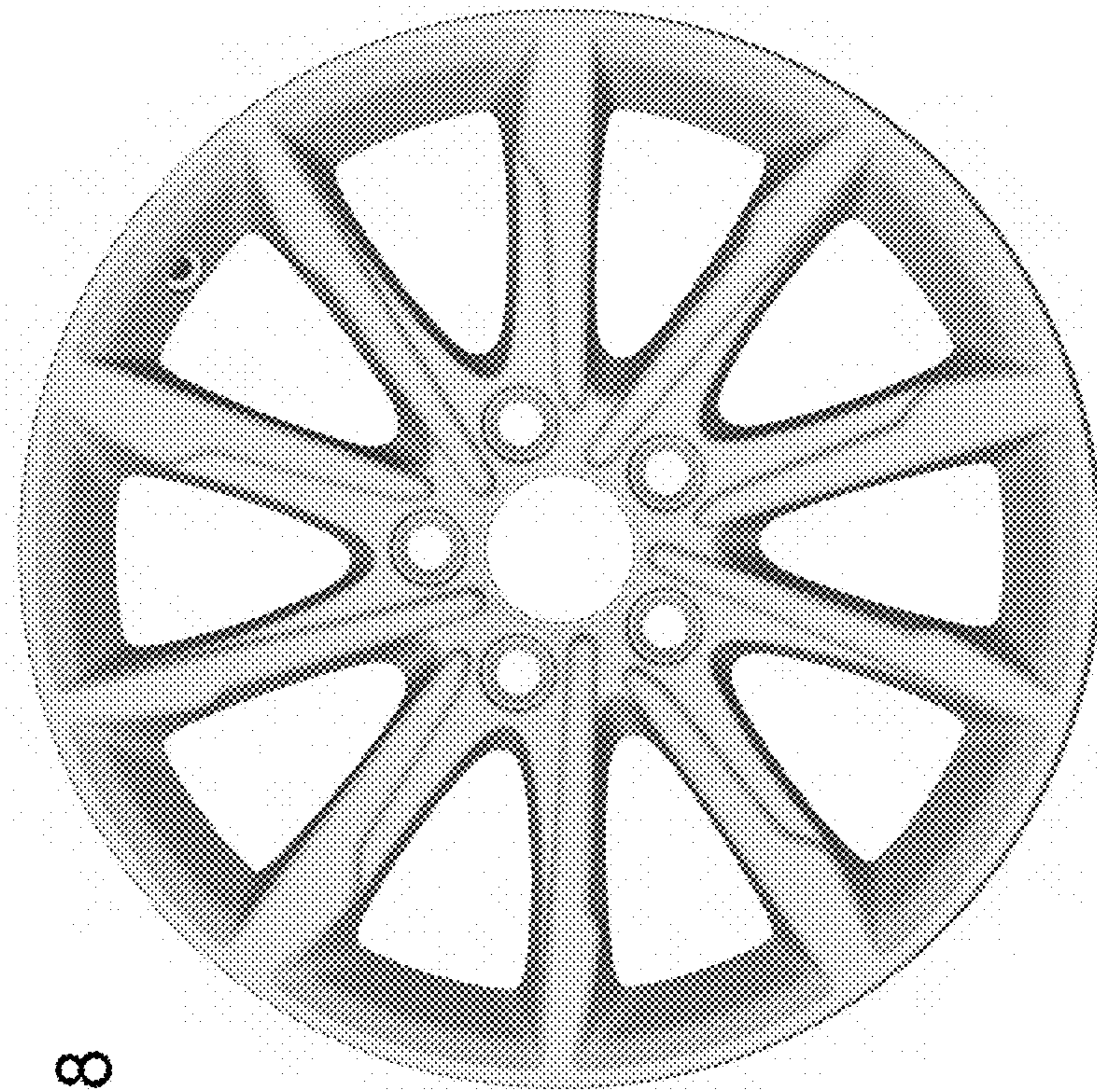


FIGURE 8

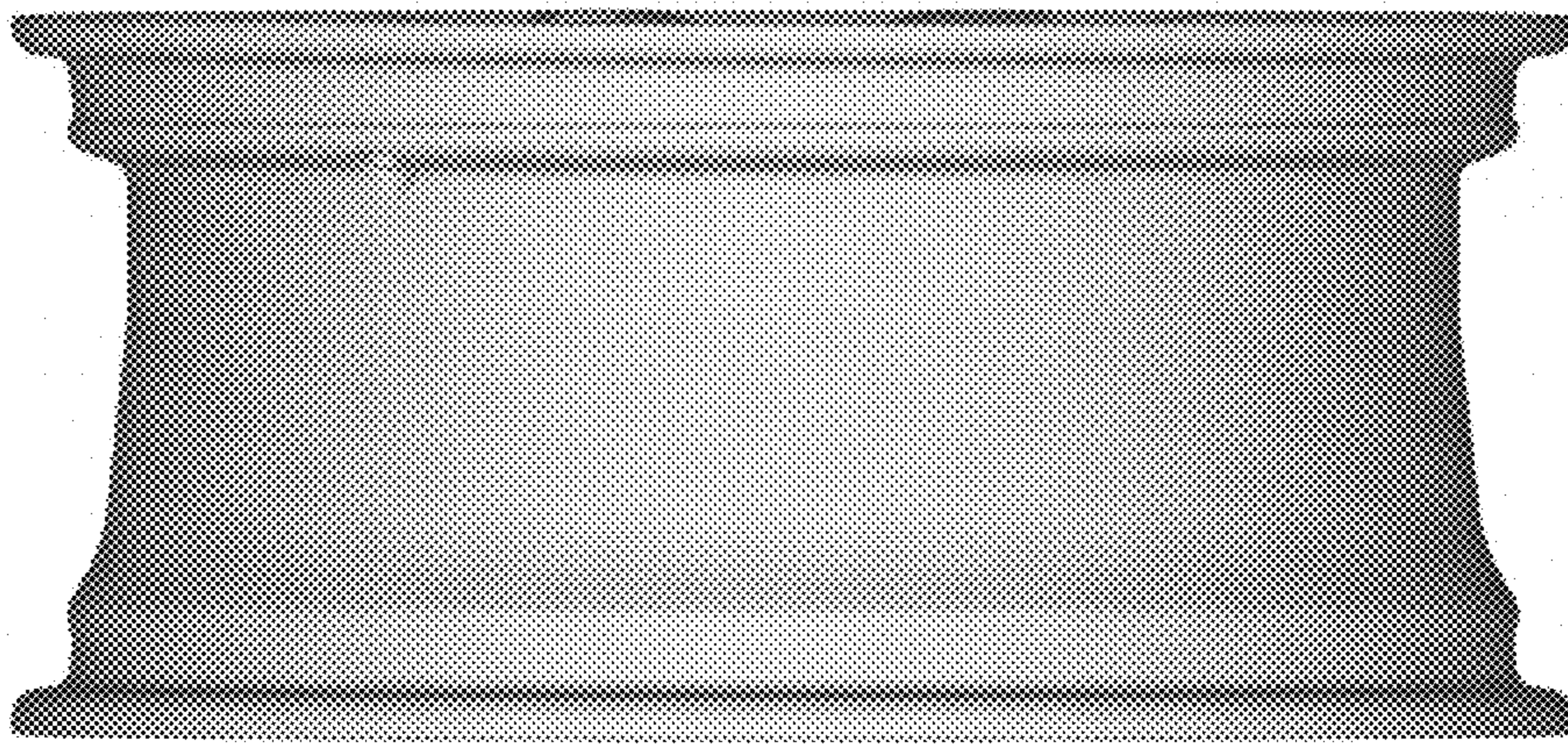


FIGURE 9

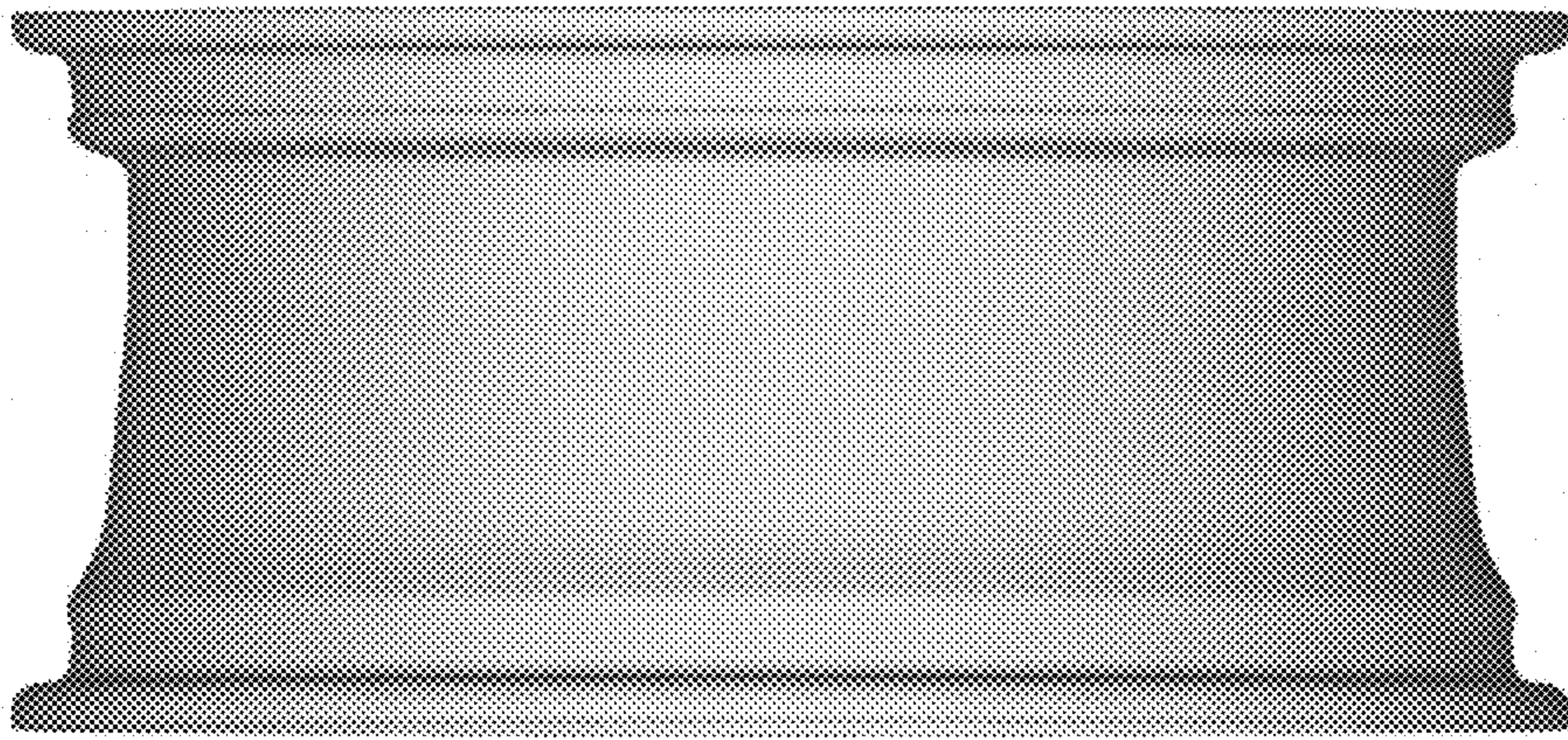


FIGURE 10