



US00D803753S

(12) **United States Design Patent**
Zhao

(10) **Patent No.:** **US D803,753 S**

(45) **Date of Patent:** **** Nov. 28, 2017**

(54) **AUTOMOBILE WHEEL**

(71) Applicant: **John Zhao**, Monterey Park, CA (US)

(72) Inventor: **John Zhao**, Monterey Park, CA (US)

(73) Assignee: **Wah Hung Group Inc.**, Monterey Park, CA (US)

(**) Term: **15 Years**

(21) Appl. No.: **29/559,411**

(22) Filed: **Mar. 28, 2016**

(51) **LOC (10) Cl.** **12-16**

(52) **U.S. Cl.**
USPC **D12/211**

(58) **Field of Classification Search**
USPC D12/204–213
CPC B60B 7/00; B60B 7/02; B60B 7/04; B60B 7/01; B60B 7/06; B60B 3/02; B60B 3/04; B60B 3/06; B60B 3/10; B60B 1/00; B60B 1/08; B60B 1/10; B60B 1/12
See application file for complete search history.

(56) **References Cited**

U.S. PATENT DOCUMENTS

D615,917 S	5/2010	Zhao
D616,799 S	6/2010	Zhao
D616,800 S	6/2010	Zhao
D616,801 S	6/2010	Zhao
D616,802 S	6/2010	Zhao
D617,244 S	6/2010	Zhao
D617,246 S	6/2010	Zhao
D617,248 S	6/2010	Zhao
D617,250 S	6/2010	Zhao
D617,251 S	6/2010	Zhao
D617,252 S	6/2010	Zhao
D617,253 S	6/2010	Zhao
D617,713 S	6/2010	Zhao
D617,718 S	6/2010	Zhao

D617,719 S	6/2010	Zhao
D617,720 S	6/2010	Zhao
D617,721 S	6/2010	Zhao
D617,722 S	6/2010	Zhao
D617,723 S	6/2010	Zhao
D618,153 S	6/2010	Zhao
D618,154 S	6/2010	Zhao
D618,155 S	6/2010	Zhao
D618,156 S	6/2010	Zhao
D618,605 S	6/2010	Zhao
D618,606 S	6/2010	Zhao
D619,074 S	7/2010	Zhao
D619,075 S	7/2010	Zhao
D620,425 S	7/2010	Zhao
D620,867 S	8/2010	Zhao
D620,874 S	8/2010	Zhao
D622,197 S	8/2010	Zhao
D622,200 S	8/2010	Zhao
D622,201 S	8/2010	Zhao
D622,202 S	8/2010	Zhao
D622,651 S	8/2010	Zhao

(Continued)

Primary Examiner — Stacia Cadmus

(74) *Attorney, Agent, or Firm* — Chen Huang; Adli Law Group P.C.

(57) **CLAIM**

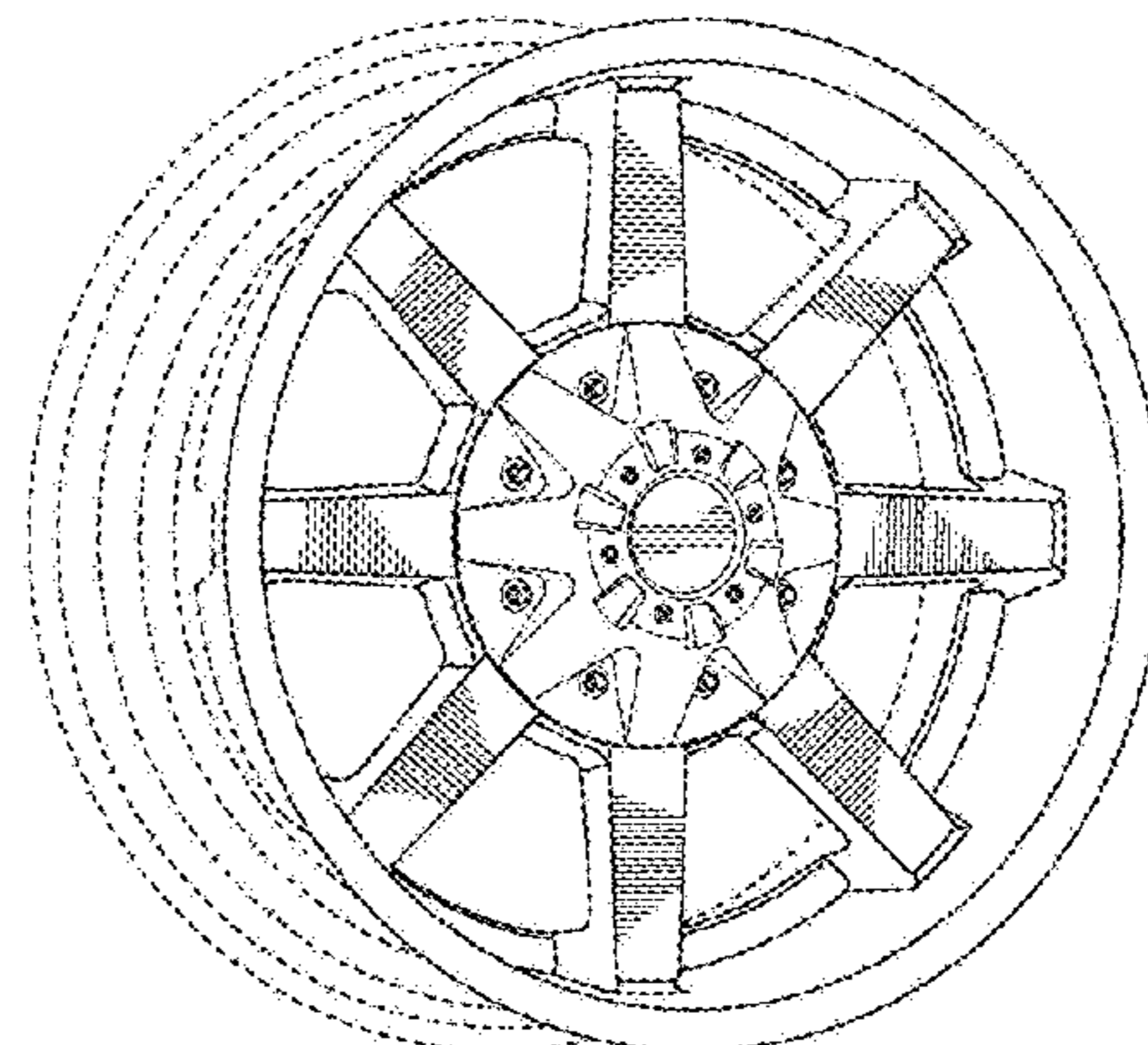
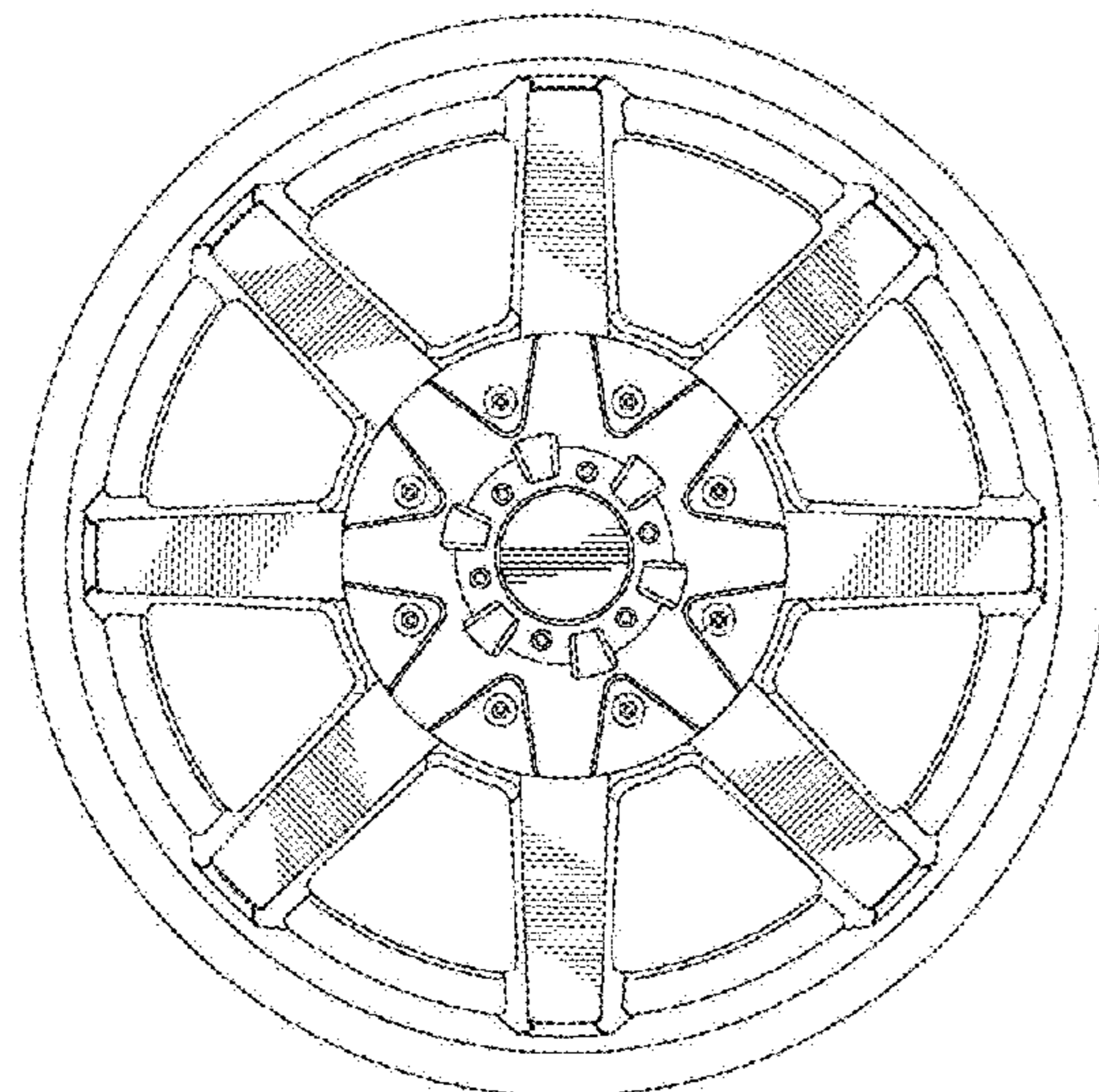
I claim the ornamental design for an automobile wheel, as shown and described.

DESCRIPTION

FIG. 1 is a front elevational view of an automobile wheel according to the claimed design; and, FIG. 2 is a perspective view of the automobile wheel according to the claimed design.

The ornamental design which is claimed is shown in solid lines in the drawings. The broken lines showing of the rear of the of the rim is included for the purpose of illustrating environmental subject matter and forms no part of the claimed design.

1 Claim, 2 Drawing Sheets



(56)

References Cited

U.S. PATENT DOCUMENTS

D623,116 S	9/2010	Zhao	
D624,475 S	9/2010	Zhao	
D624,478 S	9/2010	Zhao	
D624,861 S	10/2010	Zhao	
D624,862 S	10/2010	Zhao	
D624,863 S	10/2010	Zhao	
D625,238 S	10/2010	Zhao	
D625,241 S	10/2010	Zhao	
D625,242 S	10/2010	Zhao	
D625,244 S	10/2010	Zhao	
D628,135 S	11/2010	Zhao	
D630,991 S	1/2011	Zhao	
D637,947 S	5/2011	Zhao	
D639,220 S	6/2011	Zhao	
D652,364 S	1/2012	Zhao	
D653,188 S	1/2012	Zhao	
D653,189 S	1/2012	Zhao	
D653,598 S	2/2012	Zhao	
D653,599 S	2/2012	Zhao	
D655,231 S	3/2012	Zhao	
D655,232 S	3/2012	Zhao	
D655,233 S	3/2012	Alfonso	
D655,234 S	3/2012	Zhao	
D655,235 S	3/2012	Zhao	
D655,663 S	3/2012	Zhao	
D655,664 S	3/2012	Zhao	
D655,665 S	3/2012	Zhao	
D655,666 S	3/2012	Zhao	
D656,448 S	3/2012	Zhao	
D656,449 S	3/2012	Zhao	
D656,450 S	3/2012	Zhao	
D656,451 S	3/2012	Zhao	
D659,069 S	* 5/2012	Johnson D12/211
D671,483 S	* 11/2012	Chung D12/211
D678,165 S	3/2013	Zhao	
D680,048 S	4/2013	Zhao	
D680,483 S	4/2013	Zhao	
D680,484 S	4/2013	Zhao	
D680,485 S	4/2013	Zhao	
D680,486 S	4/2013	Zhao	
D680,487 S	4/2013	Zhao	
D680,939 S	4/2013	Zhao	
D680,940 S	* 4/2013	Hale, Jr. D12/211
D681,532 S	5/2013	Zhao	
D681,534 S	5/2013	Zhao	
D681,535 S	5/2013	Zhao	
D681,536 S	5/2013	Zhao	
D681,537 S	5/2013	Zhao	
D681,538 S	5/2013	Zhao	
D681,539 S	5/2013	Zhao	
D681,540 S	5/2013	Zhao	
D682,177 S	5/2013	Zhao	
D682,180 S	5/2013	Zhao	
D682,181 S	5/2013	Zhao	
D682,182 S	5/2013	Zhao	
D682,183 S	5/2013	Zhao	
D682,184 S	5/2013	Zhao	
D682,185 S	5/2013	Zhao	
D682,765 S	5/2013	Alfonso	
D682,766 S	5/2013	Zhao	
D682,767 S	5/2013	Zhao	
D682,769 S	5/2013	Zhao	
D682,770 S	5/2013	Zhao	
D683,682 S	6/2013	Alfonso	
D683,686 S	6/2013	Alfonso	
D683,687 S	6/2013	Alfonso	
D683,688 S	6/2013	Alfonso	
D684,101 S	6/2013	Alfonso	
D684,518 S	6/2013	Zhao	
D684,915 S	6/2013	Zhao	
D685,309 S	7/2013	Alfonso	
D685,310 S	7/2013	Alfonso	
D685,311 S	7/2013	Alfonso	
D685,312 S	7/2013	Zhao	
D686,963 S	* 7/2013	Hale, Jr. D12/211
D688,189 S	8/2013	Alfonso	
D691,542 S	* 10/2013	Chan D12/209
D695,189 S	12/2013	Zhao	
D695,192 S	12/2013	Zhao	
D695,200 S	12/2013	Zhao	
D695,201 S	12/2013	Zhao	
D699,173 S	2/2014	Zhao	
D699,659 S	2/2014	Zhao	
D699,660 S	2/2014	Zhao	
D704,616 S	* 5/2014	Chung D12/211
D706,698 S	6/2014	Zhao	
D719,496 S	* 12/2014	Johnson D12/209
D721,318 S	* 1/2015	Kim D12/211
D722,547 S	2/2015	Zhao	
D723,992 S	3/2015	Zhao	
D723,993 S	3/2015	Zhao	
D723,995 S	3/2015	Zhao	
D723,996 S	3/2015	Zhao	
D725,018 S	3/2015	Zhao	
D726,621 S	4/2015	Alfonso	
D726,623 S	4/2015	Alfonso	
D731,391 S	6/2015	Zhao	
D741,243 S	10/2015	Zhao	
D741,244 S	10/2015	Zhao	
D741,245 S	10/2015	Zhao	
D741,775 S	10/2015	Zhao	
D741,776 S	10/2015	Zhao	
D742,295 S	11/2015	Zhao	
D742,799 S	11/2015	Zhao	
D743,316 S	11/2015	Zhao	
D744,929 S	12/2015	Zhao	
D748,559 S	2/2016	Zhao	
D749,030 S	2/2016	Zhao	
D749,031 S	2/2016	Zhao	
D751,484 S	3/2016	Zhao	
D751,488 S	3/2016	Zhao	
D751,966 S	3/2016	Zhao	
D752,498 S	3/2016	Zhao	
D753,047 S	4/2016	Alfonso	
D756,282 S	5/2016	Zhao	
D756,285 S	5/2016	Zhao	
D756,286 S	5/2016	Zhao	
D756,880 S	5/2016	Zhao	
D756,881 S	5/2016	Zhao	
D758,277 S	6/2016	Alfonso	
D758,941 S	6/2016	Zhao	
D758,942 S	6/2016	Zhao	
D758,945 S	6/2016	Zhao	
D758,946 S	6/2016	Zhao	
D758,947 S	6/2016	Zhao	
D760,144 S	6/2016	Zhao	
D763,766 S	8/2016	Alfonso	
D763,767 S	8/2016	Alfonso	
D764,366 S	8/2016	Zhao	
D764,371 S	8/2016	Zhao	
D775,051 S	* 12/2016	Alfonso D12/211
D780,662 S	* 3/2017	Zhao D12/211
D782,385 S	* 3/2017	Zhao D12/211
D791,051 S	* 7/2017	Johnson D12/211

* cited by examiner

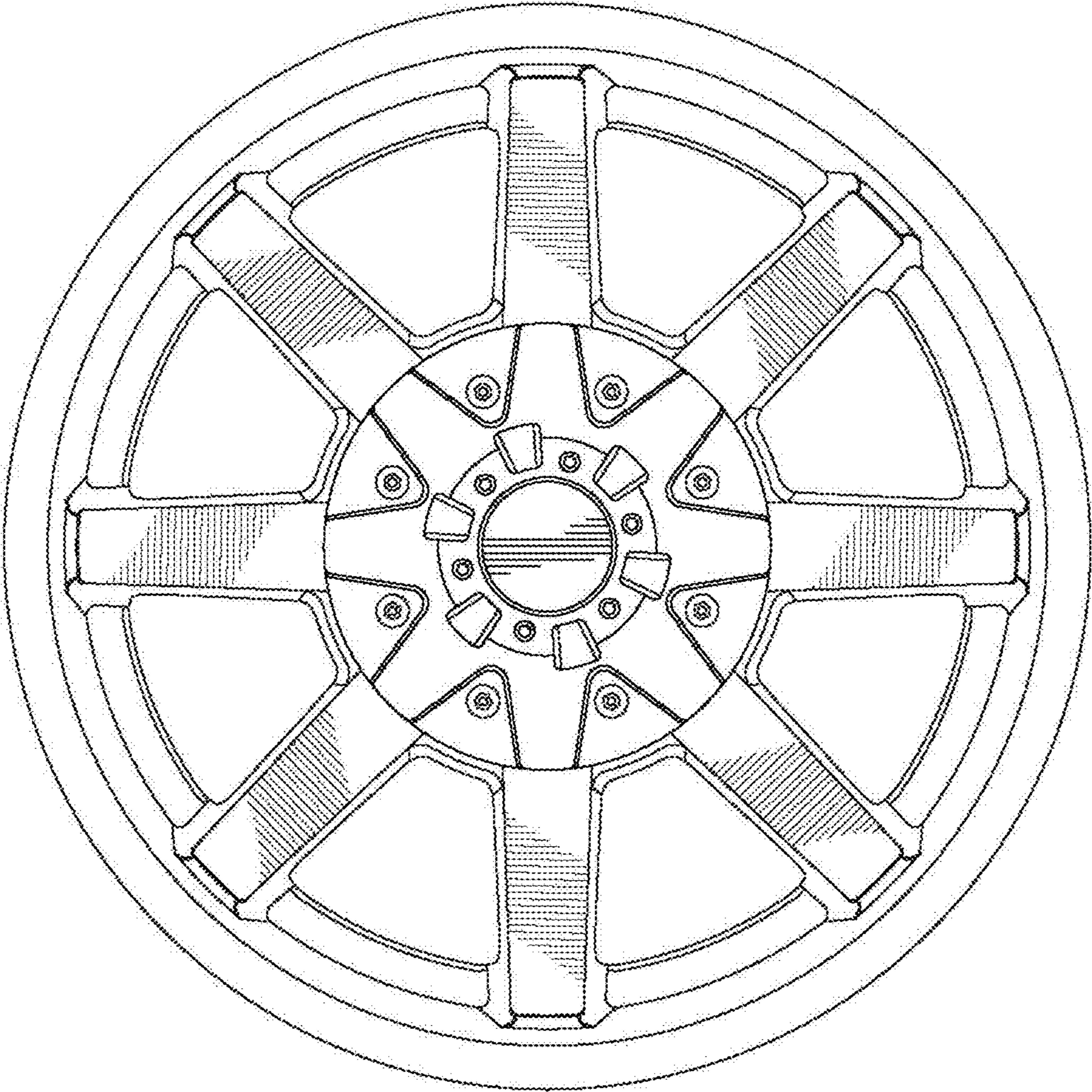


FIG. 1

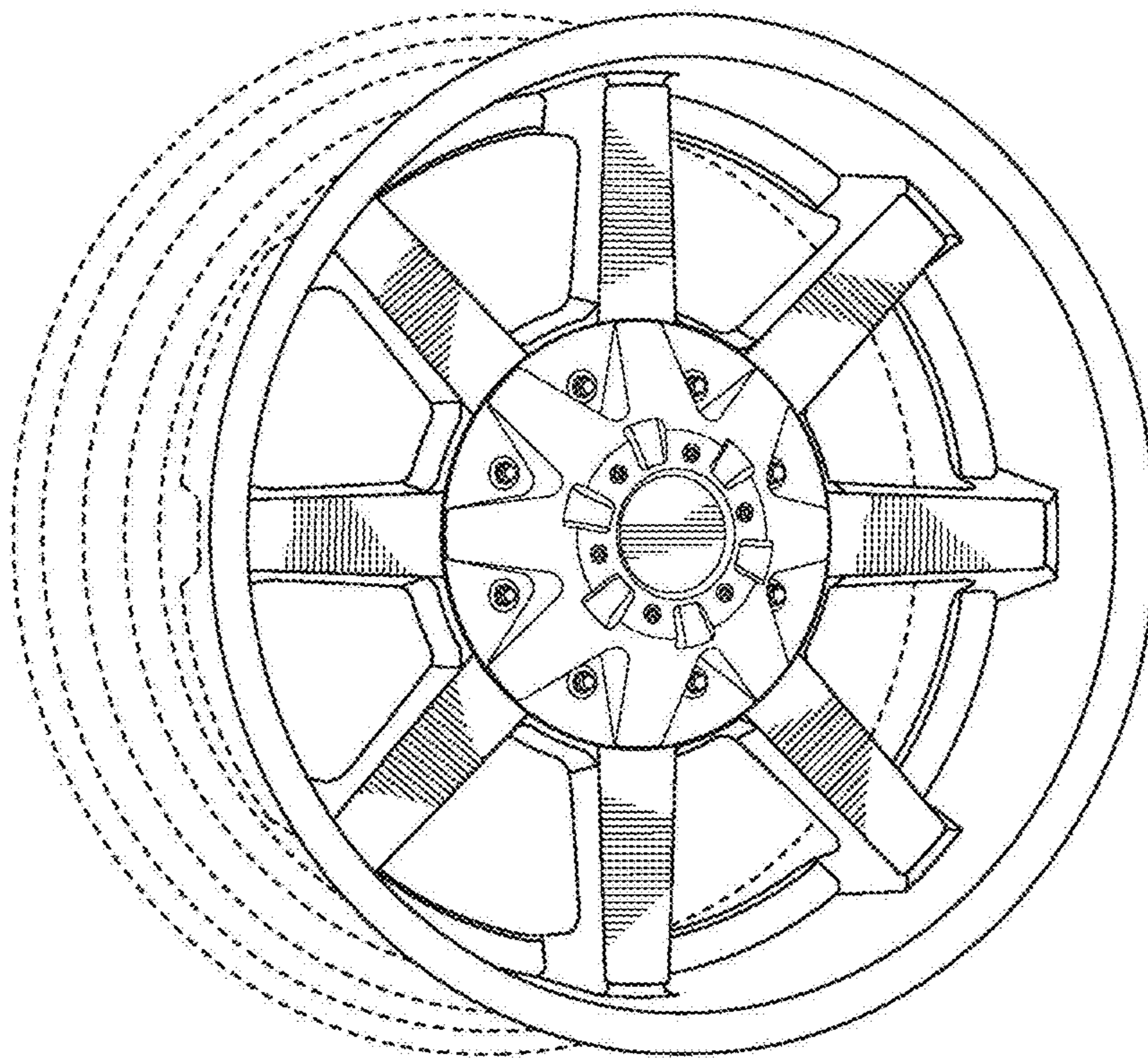


FIG.2