



US00D803748S

(12) **United States Design Patent**
English et al.

(10) **Patent No.:** **US D803,748 S**

(45) **Date of Patent:** **** *Nov. 28, 2017**

(54) **FOUR-LUG WHEEL RIM**

(71) Applicant: **INGERSOLL-RAND COMPANY**,
Davidson, NC (US)

(72) Inventors: **Michael Darryl English**, Augusta, GA
(US); **Craig D. Pugh**, Evans, GA (US);
Sanjay Kopay, Evans, GA (US); **Mark**
Adam Messick, Evans, GA (US);
Bryan D. Wilson, Evans, GA (US)

(73) Assignee: **Ingersoll-Rand Company**, Davidson,
NC (US)

(*) Notice: This patent is subject to a terminal dis-
claimer.

(**) Term: **15 Years**

(21) Appl. No.: **29/561,594**

(22) Filed: **Apr. 18, 2016**

(51) **LOC (10) Cl.** **12-16**

(52) **U.S. Cl.**
USPC **D12/209**

(58) **Field of Classification Search**
USPC D12/204–213
CPC B60B 7/00; B60B 7/02; B60B 7/04; B60B
7/01; B60B 7/06; B60B 3/02; B60B 3/04;
B60B 3/06; B60B 3/10; B60B 1/00;
B60B 1/08; B60B 1/10; B60B 1/12
See application file for complete search history.

(56) **References Cited**

U.S. PATENT DOCUMENTS

D259,484 S * 6/1981 Welburn D12/209
D526,265 S * 8/2006 Muzzarelli D12/209

D528,061 S * 9/2006 Saridakis D12/211
D686,961 S * 7/2013 Chung D12/209
D688,186 S * 8/2013 McMath D12/209
D695,188 S * 12/2013 Chinavare D12/209
D709,426 S * 7/2014 Kong D12/209
D711,304 S * 8/2014 Chung D12/209
D712,330 S * 9/2014 Chung D12/209
D728,439 S * 5/2015 Hashimoto D12/204
D732,449 S * 6/2015 Grake D12/209
D755,693 S * 5/2016 Lee D12/209
D756,281 S * 5/2016 Chung D12/209
D758,279 S * 6/2016 Platto D12/211
D763,160 S * 8/2016 Hashimoto D12/209

* cited by examiner

Primary Examiner — Stacia Cadmus

(74) *Attorney, Agent, or Firm* — Sunstone IP

(57) **CLAIM**

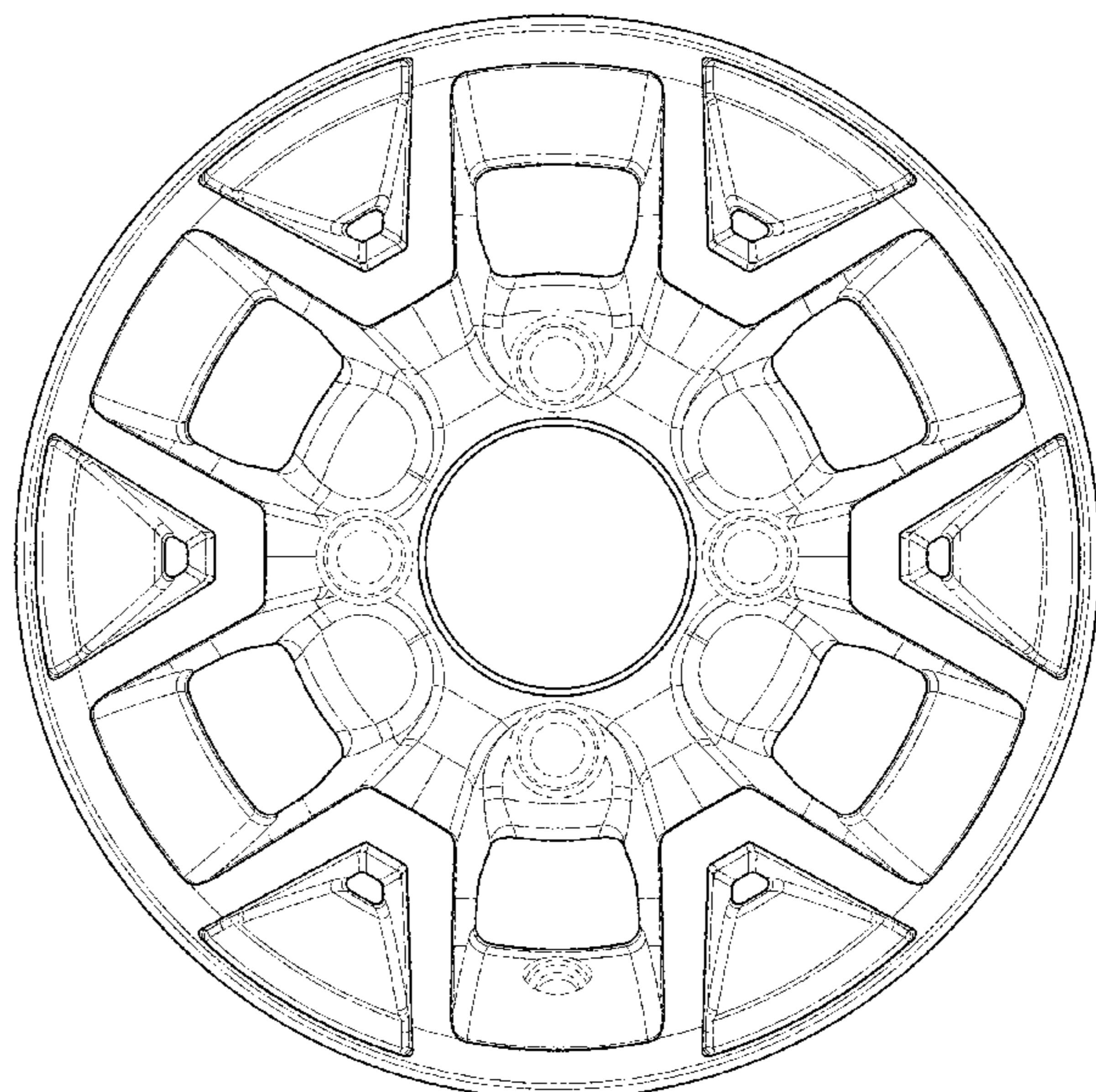
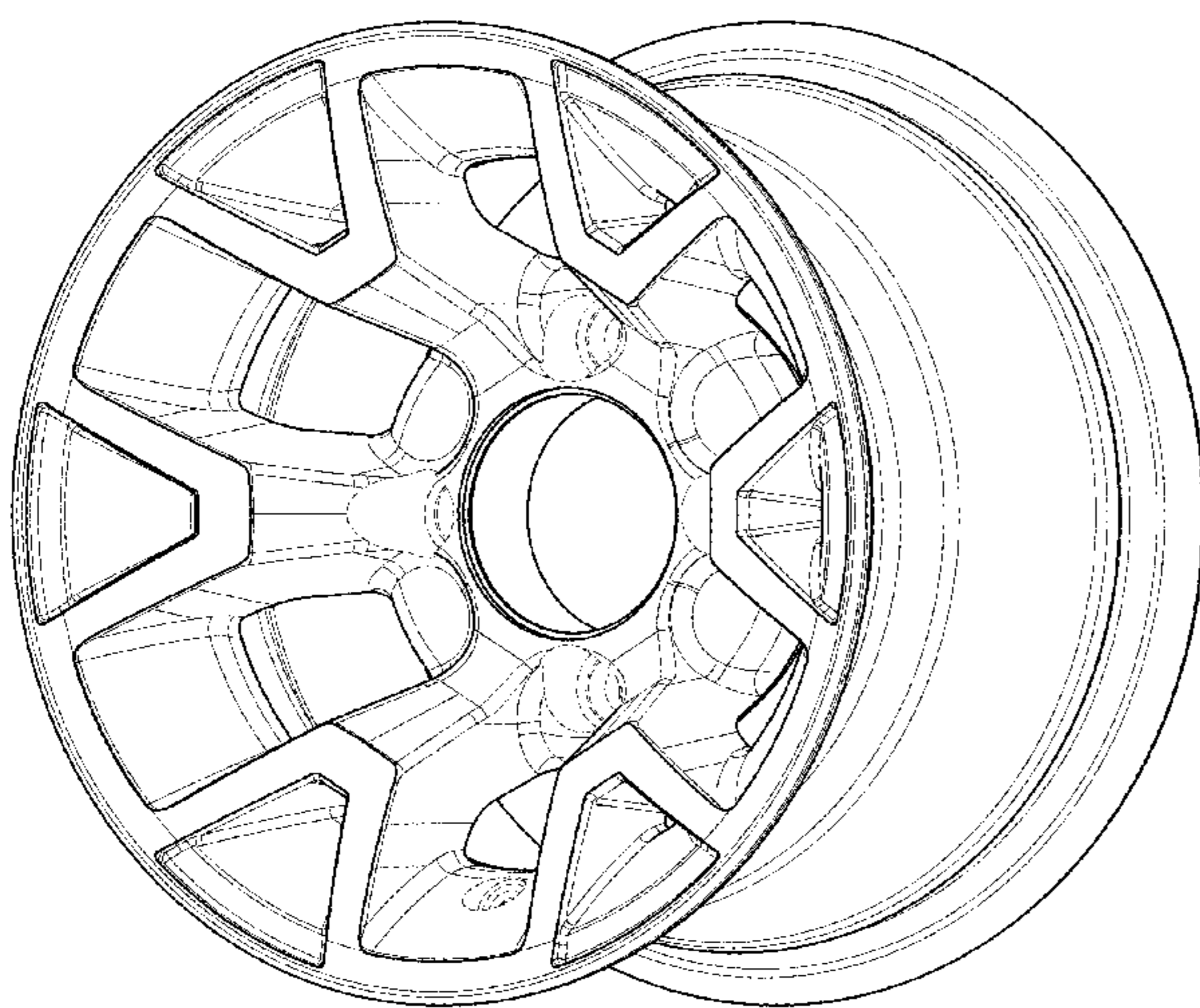
The ornamental design for a four-lug wheel rim, as shown
and described.

DESCRIPTION

FIG. 1 is a front perspective view of a four-lug wheel rim
showing the new design;
FIG. 2 is a back perspective view thereof;
FIG. 3 is a front elevational view thereof;
FIG. 4 is a back elevational view thereof
FIG. 5 is a right side elevational view thereof;
FIG. 6 is a left side elevational view thereof;
FIG. 7 is a top plan view thereof; and,
FIG. 8 is a bottom plan view thereof.

In the drawings, the broken lines depict environmental
subject matter only and form no part of the claimed design.

1 Claim, 8 Drawing Sheets



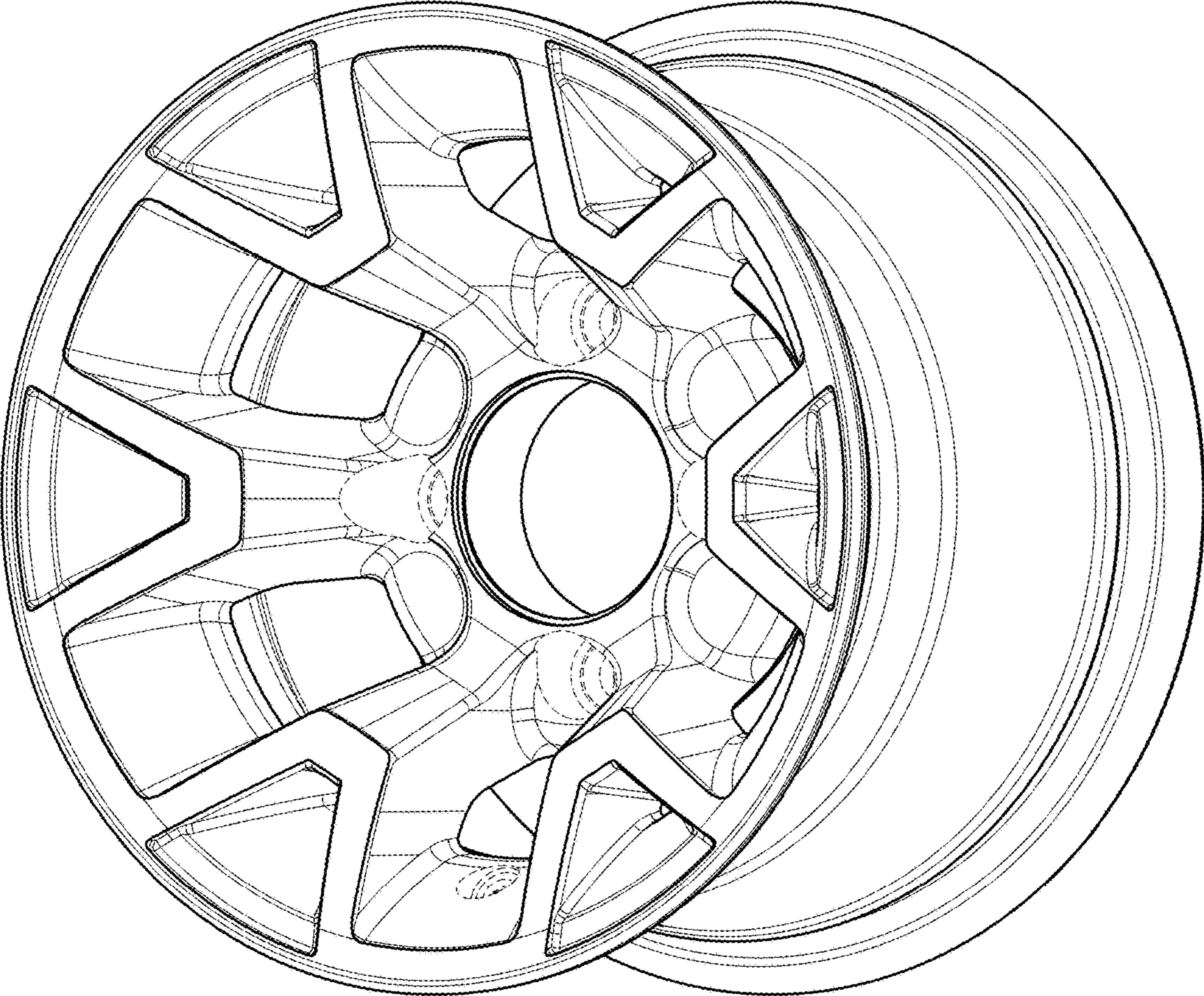


FIG. 1

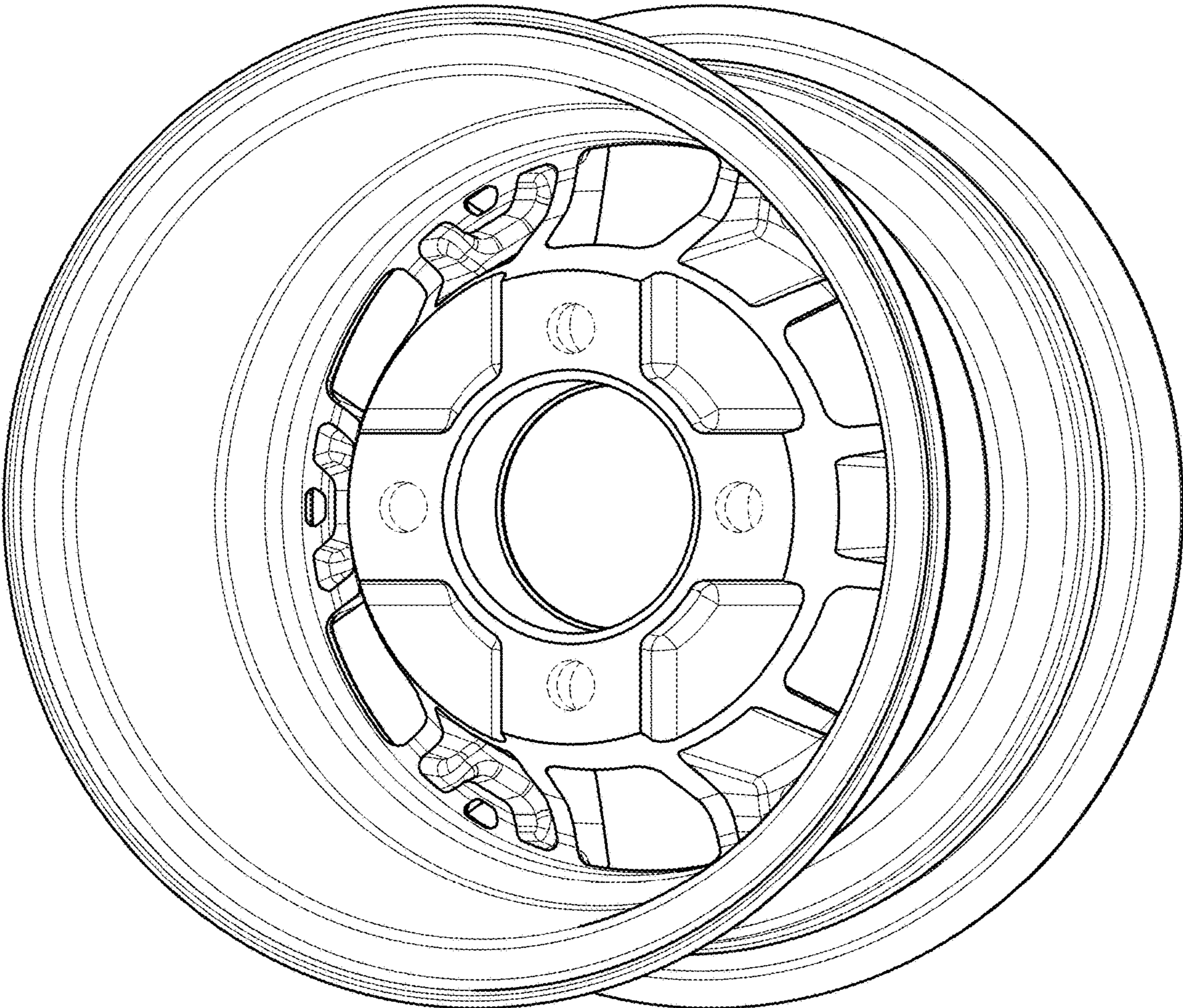


FIG. 2

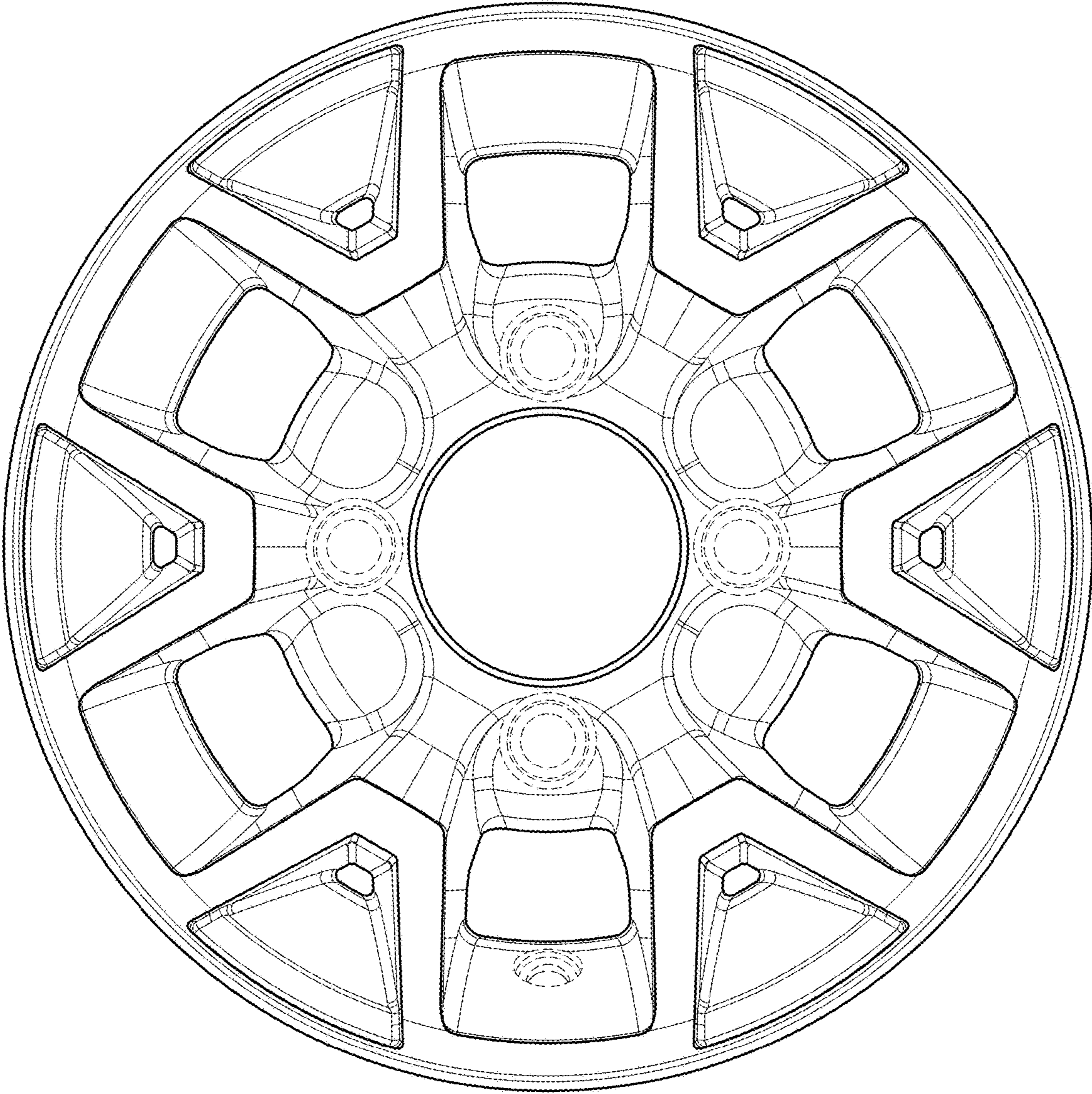


FIG. 3

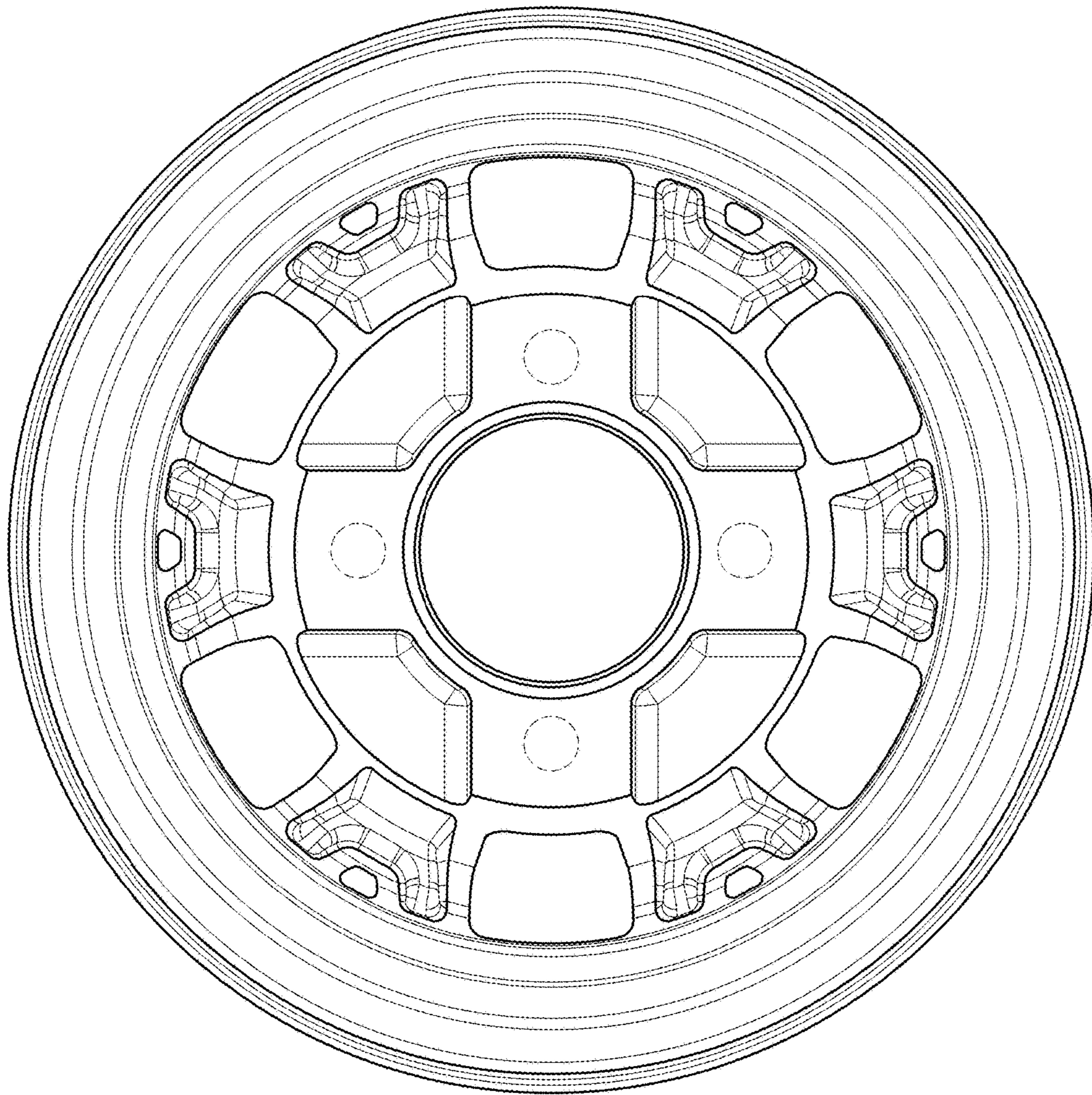


FIG. 4

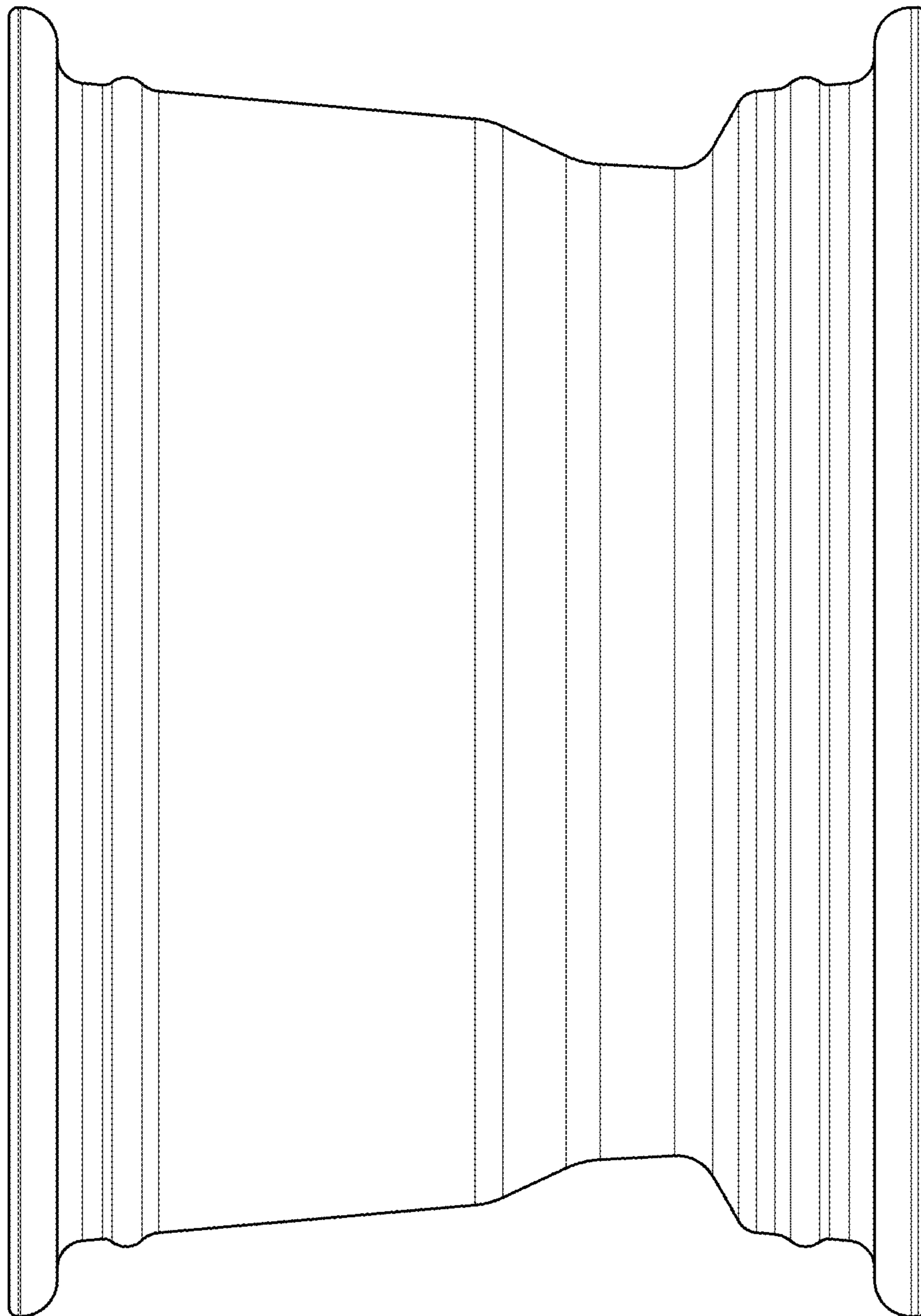


FIG. 5

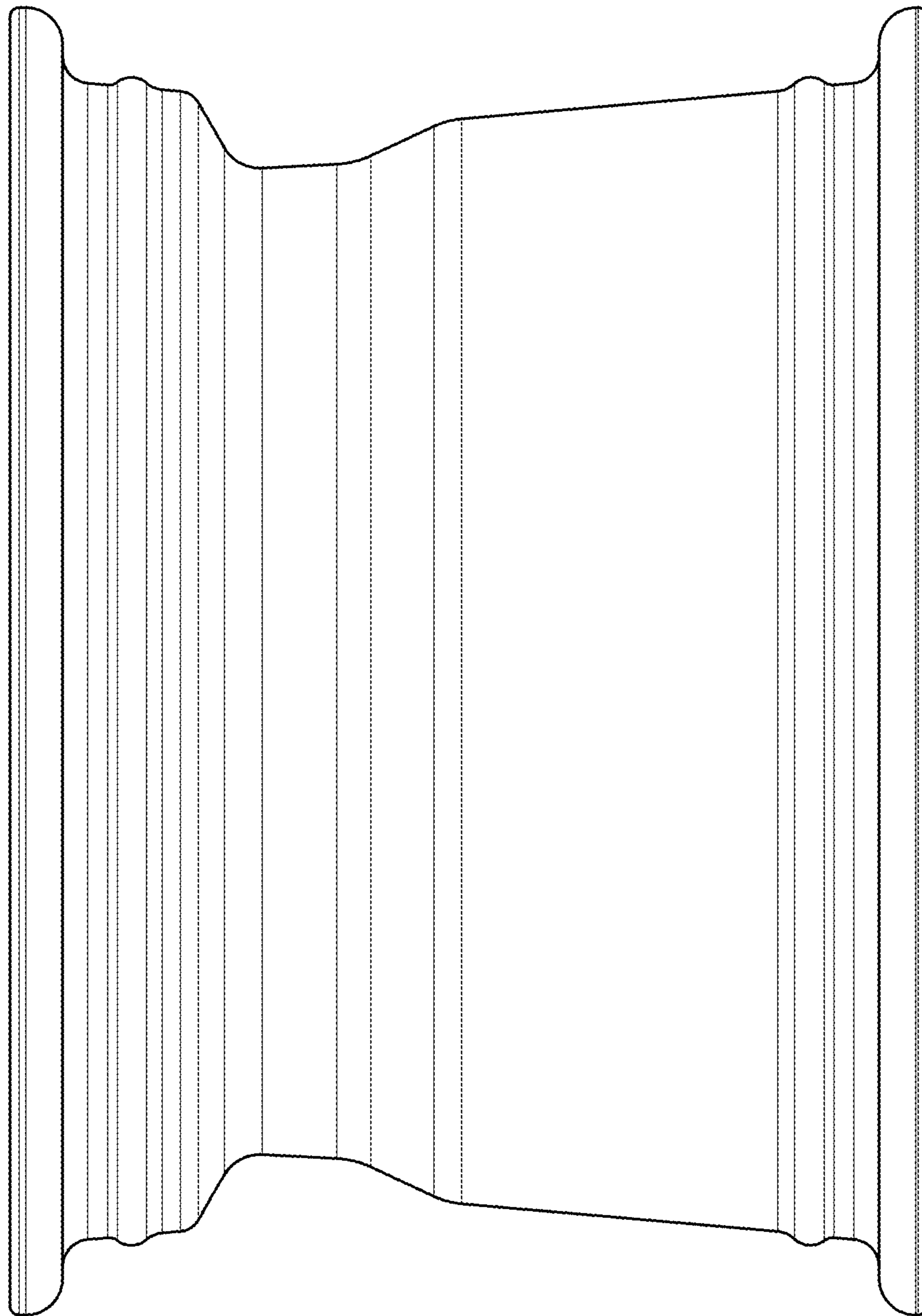


FIG. 6

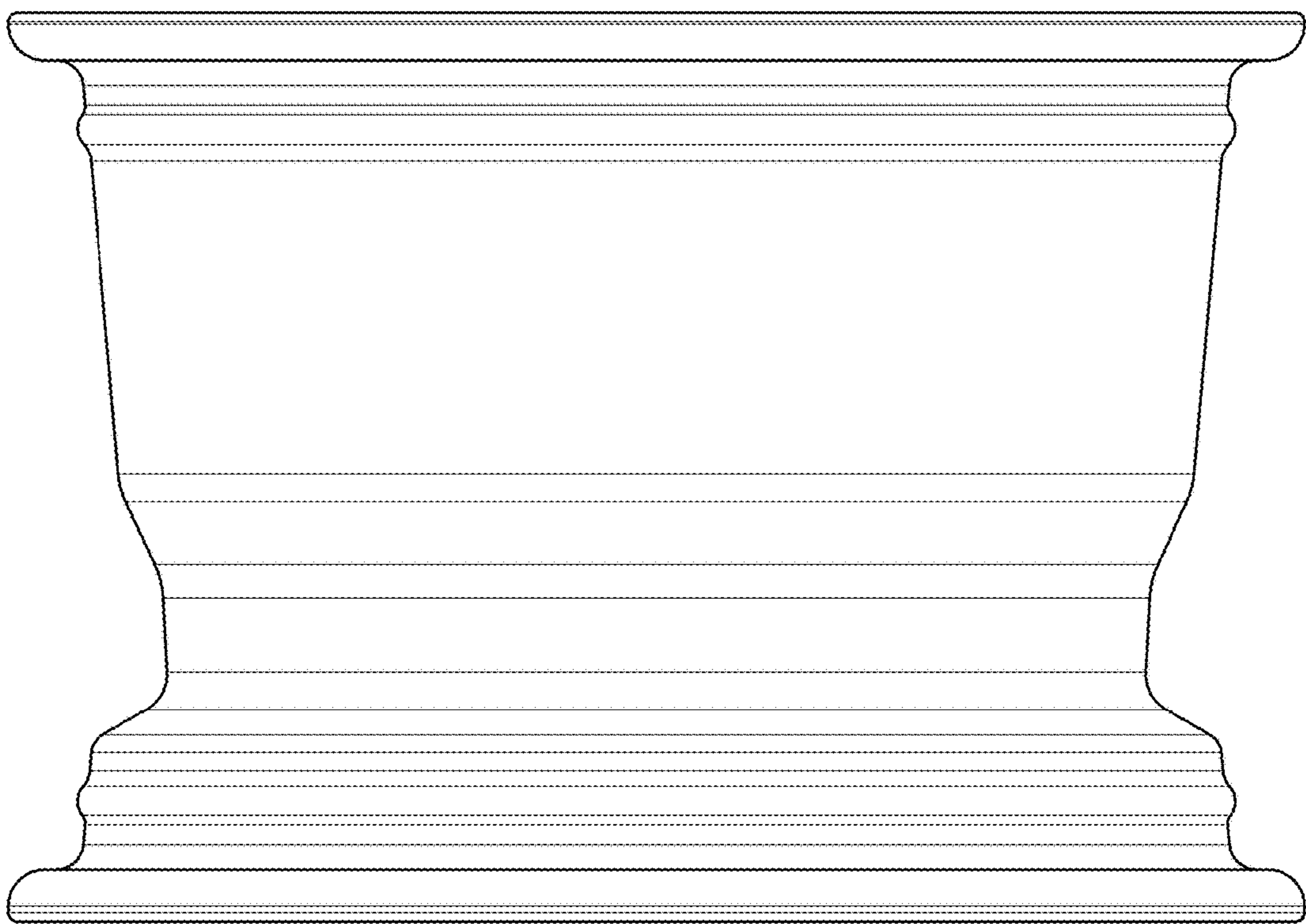


FIG. 7

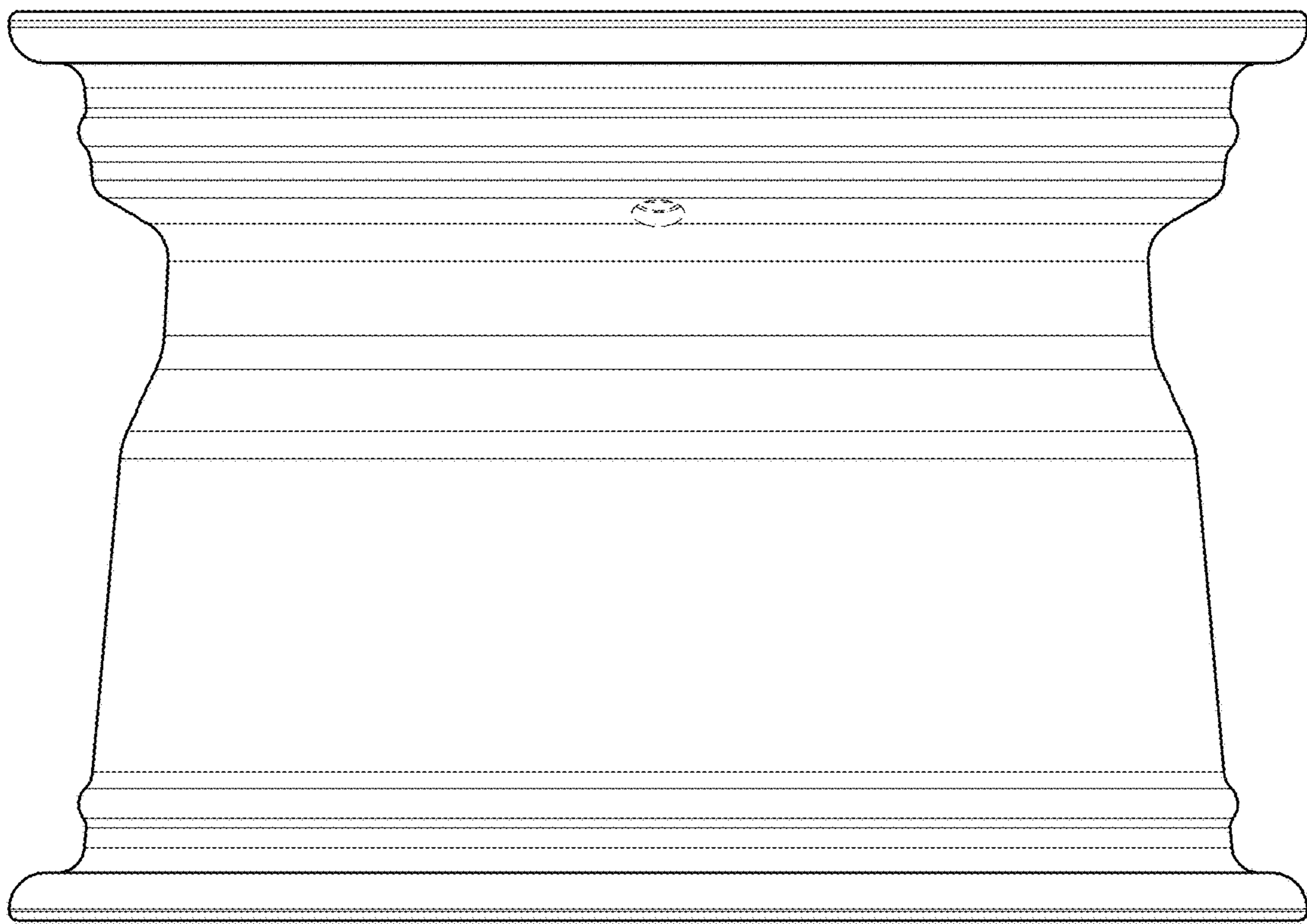


FIG. 8