



US00D803745S

(12) **United States Design Patent** (10) **Patent No.:** **US D803,745 S**
Akrapovic et al. (45) **Date of Patent:** **** Nov. 28, 2017**

(54) **EXHAUST PIPE**
(71) Applicant: **AKRAPOVI# D.D.**, Ivančna Gorica (SI)
(72) Inventors: **Igor Akrapovic**, Ljubljana (SI); **Joze Pirnar**, Sentjernež (SI); **Cveto Zupancic**, Visnja Gora (SI)

(**) Term: **15 Years**

(21) Appl. No.: **35/501,296**

(22) Filed: **Jan. 26, 2016**

(80) **Hague Agreement Data**

Int. Filing Date: **Jan. 26, 2016**
Int. Reg. No.: **DM/090714**
Int. Reg. Date: **Jan. 26, 2016**
Int. Reg. Pub. Date: **Jul. 29, 2016**

(30) **Foreign Application Priority Data**

Jul. 31, 2015 (EM) 002747162-0001

(51) **LOC (10) Cl.** **12-16**

(52) **U.S. Cl.**
USPC **D12/194**

(58) **Field of Classification Search**
USPC D12/194; D15/5
CPC ... F01N 1/04; F01N 1/24; F01N 13/08; F01N 13/082; F01N 13/085; F01N 13/087
See application file for complete search history.

(56) **References Cited**

U.S. PATENT DOCUMENTS

D460,726 S * 7/2002 Campbell D12/194
D483,710 S * 12/2003 James D12/194

D488,114 S * 4/2004 Kulla D12/194
D520,925 S * 5/2006 Savage D12/194
D539,715 S * 4/2007 Lai D12/194
D573,521 S * 7/2008 Hsu D12/194
D600,186 S * 9/2009 Bhambra D12/194
D617,705 S * 6/2010 Cunningham D12/194
D631,809 S * 2/2011 Lai D12/194
8,359,847 B2 * 1/2013 Hatchett B21D 39/044
60/274
D717,706 S * 11/2014 Covington D12/194
D758,937 S * 6/2016 Lemon D12/194
D767,456 S * 9/2016 Finnie D12/194

* cited by examiner

Primary Examiner — Darlington Ly

(74) *Attorney, Agent, or Firm* — Olson & Cepuritis, Ltd.

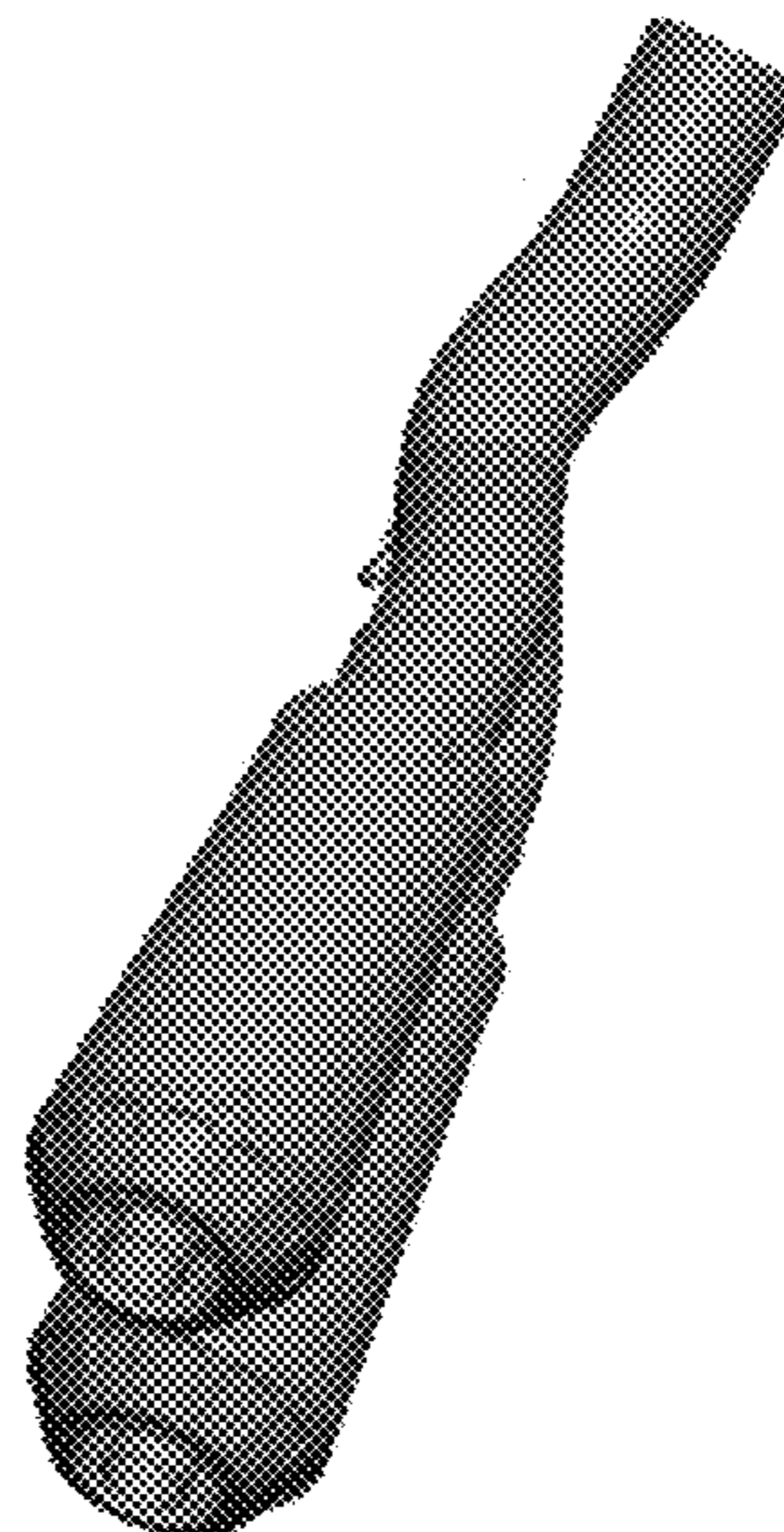
(57) **CLAIM**

The ornamental design for an exhaust pipe, as shown and described.

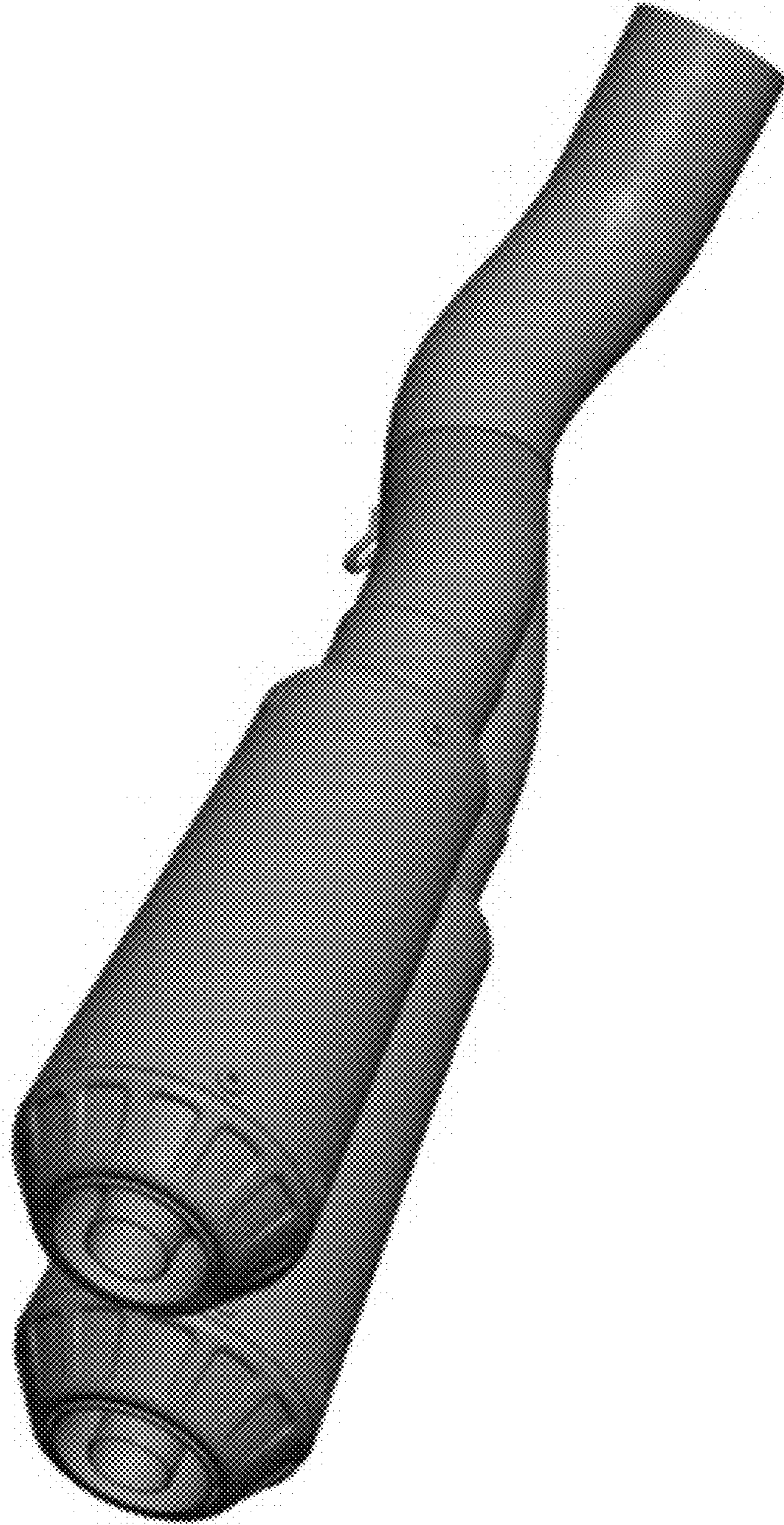
DESCRIPTION

1. Exhaust pipe
1.1 is a top, rear, and right side perspective view of an exhaust pipe showing our new design;
1.2 is a front elevation view thereof;
1.3 is a left side elevation view thereof;
1.4 is a bottom, rear, and left side perspective view thereof;
1.5 is a bottom, rear, and right side perspective view thereof;
1.6 is a bottom plan view thereof;
1.7 is a rear elevation view thereof;
1.8 is a top plan view thereof;
1.9 is a right side elevation view thereof.

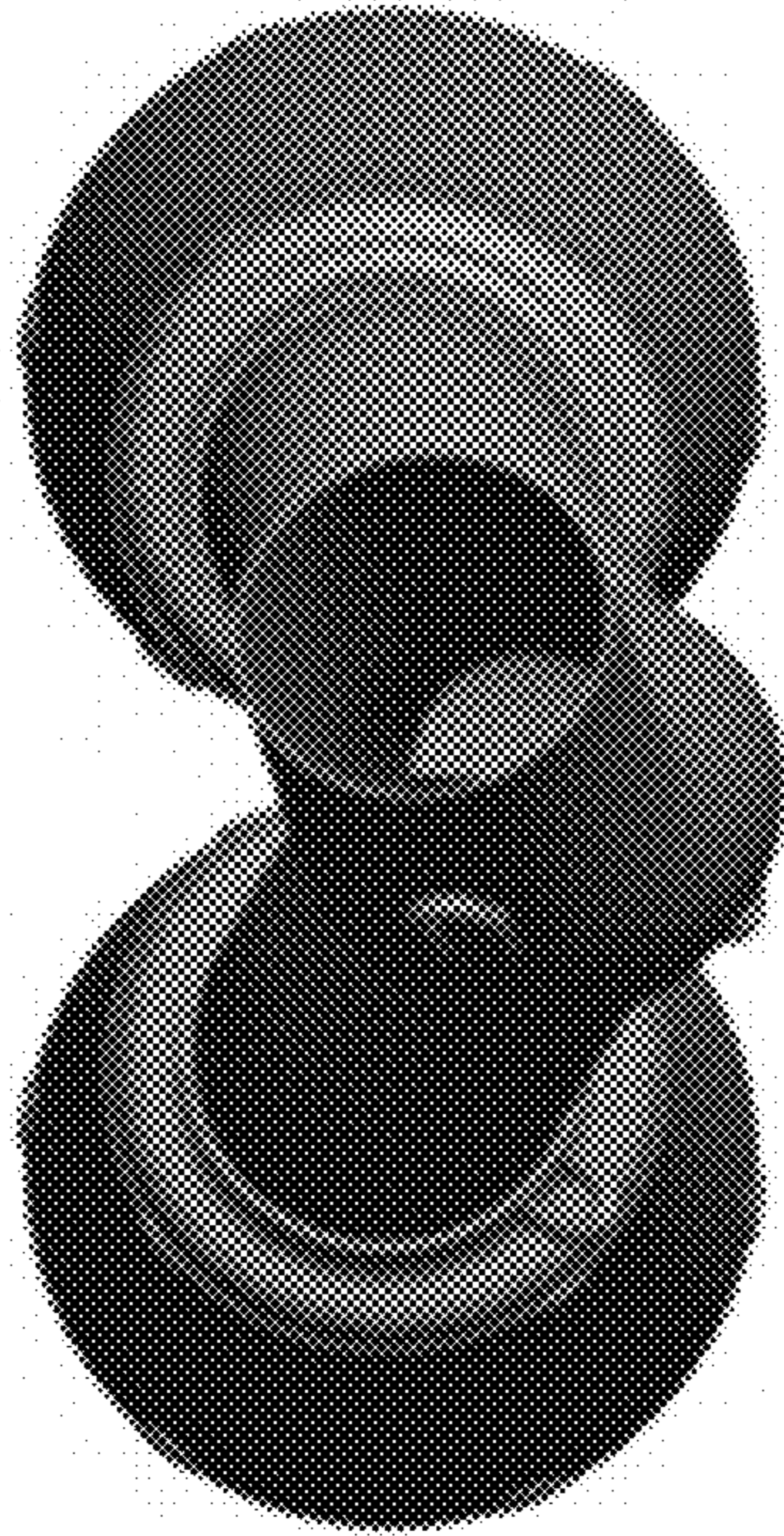
1 Claim, 9 Drawing Sheets



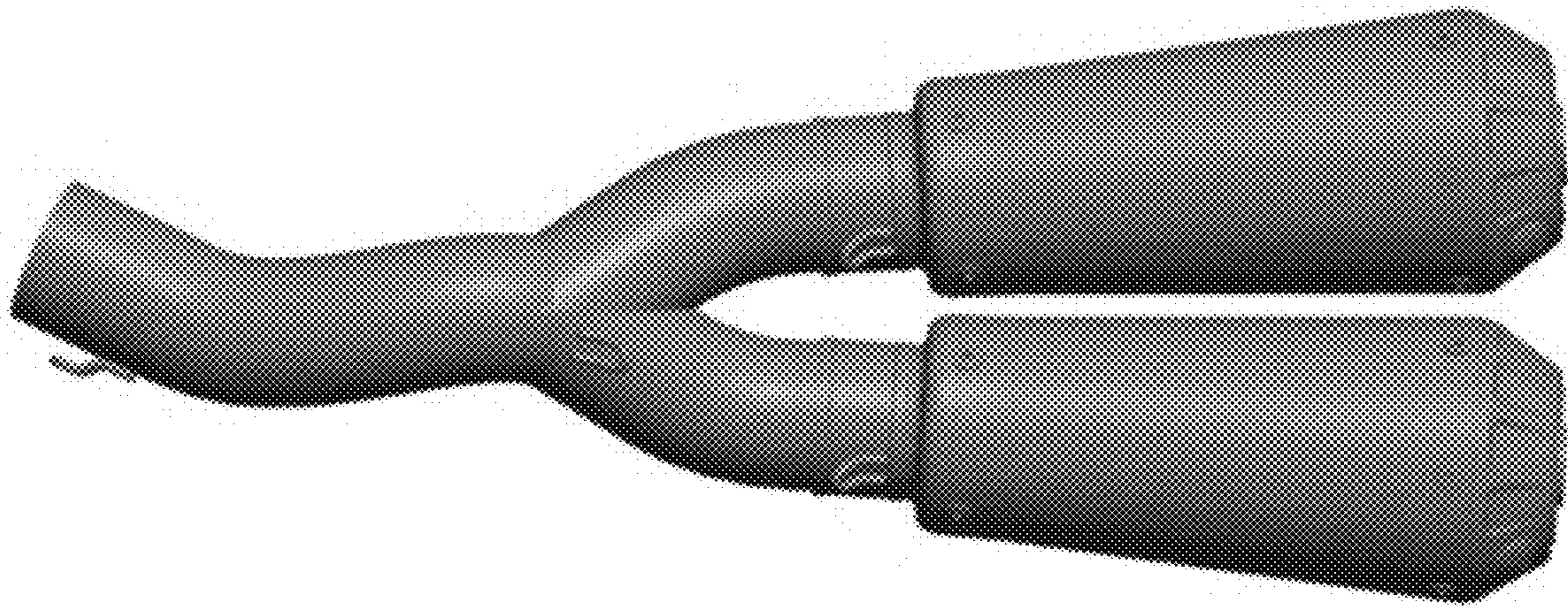
1.1



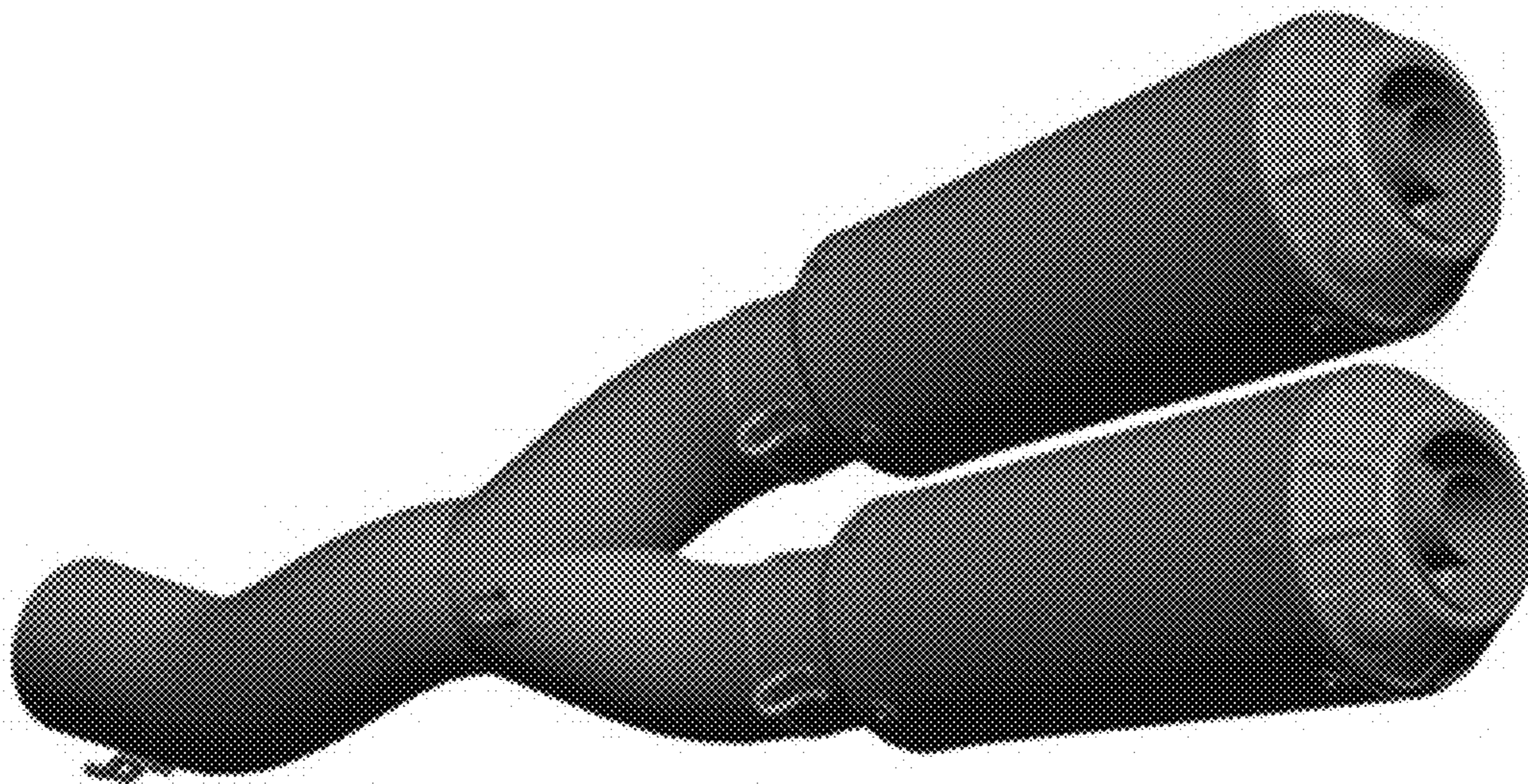
1.2



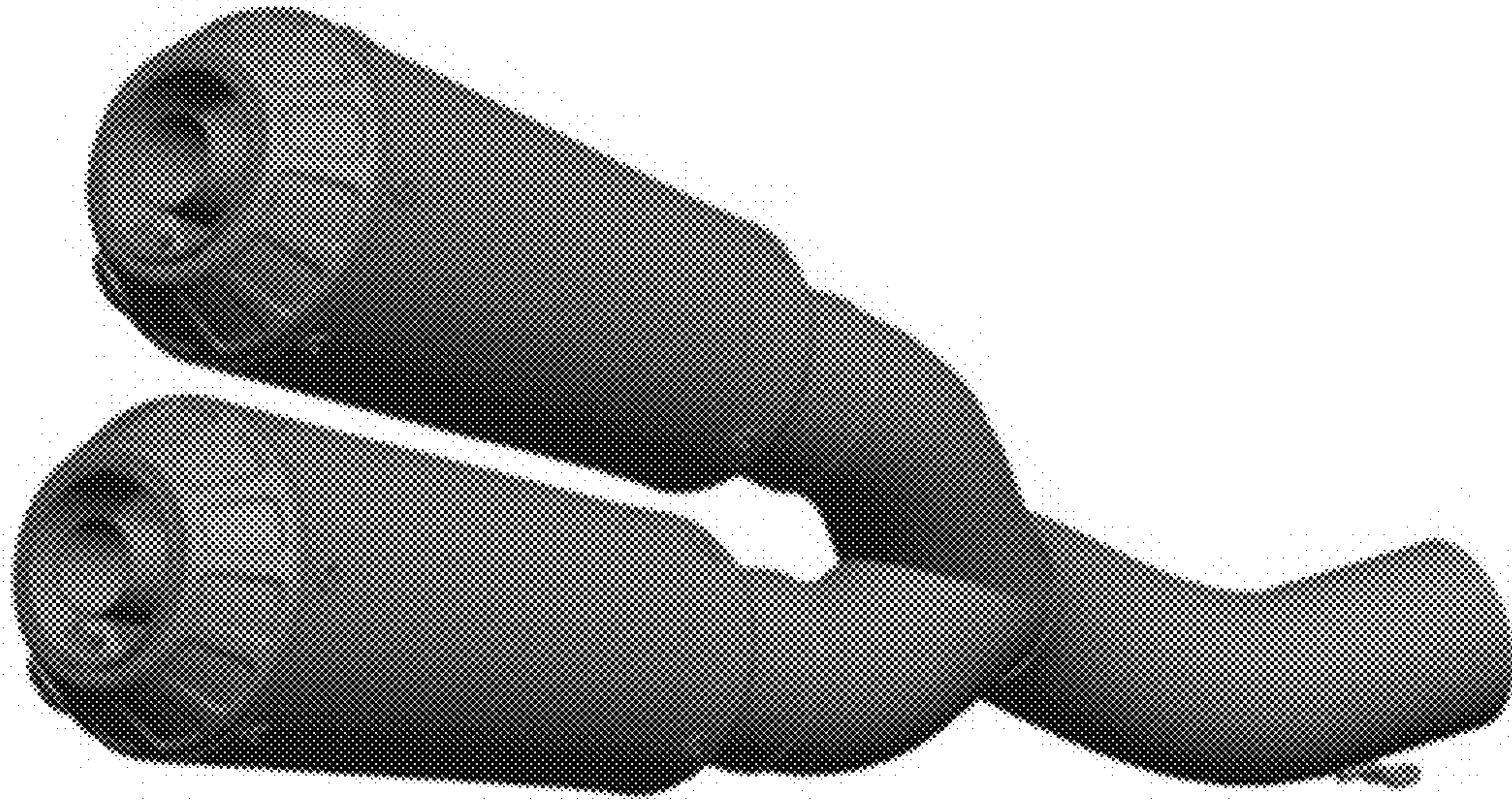
1.3



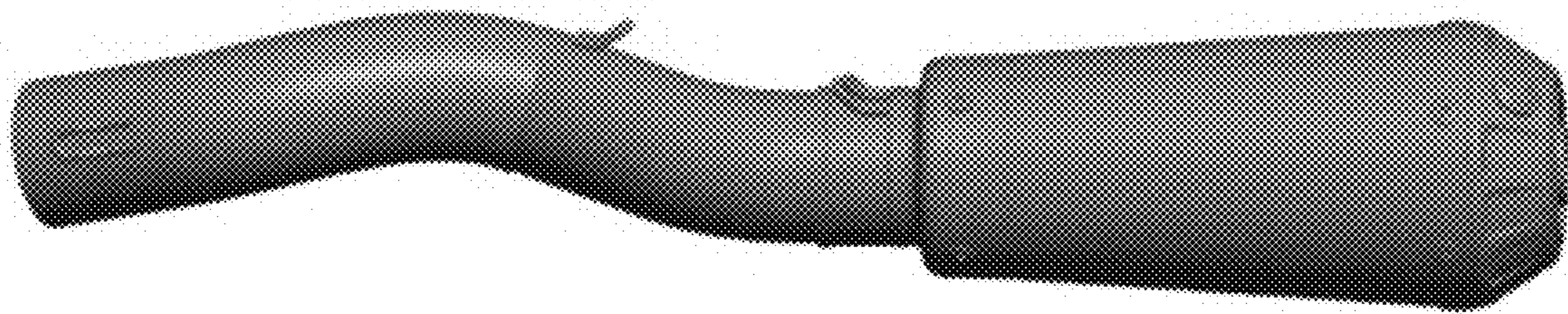
1.4



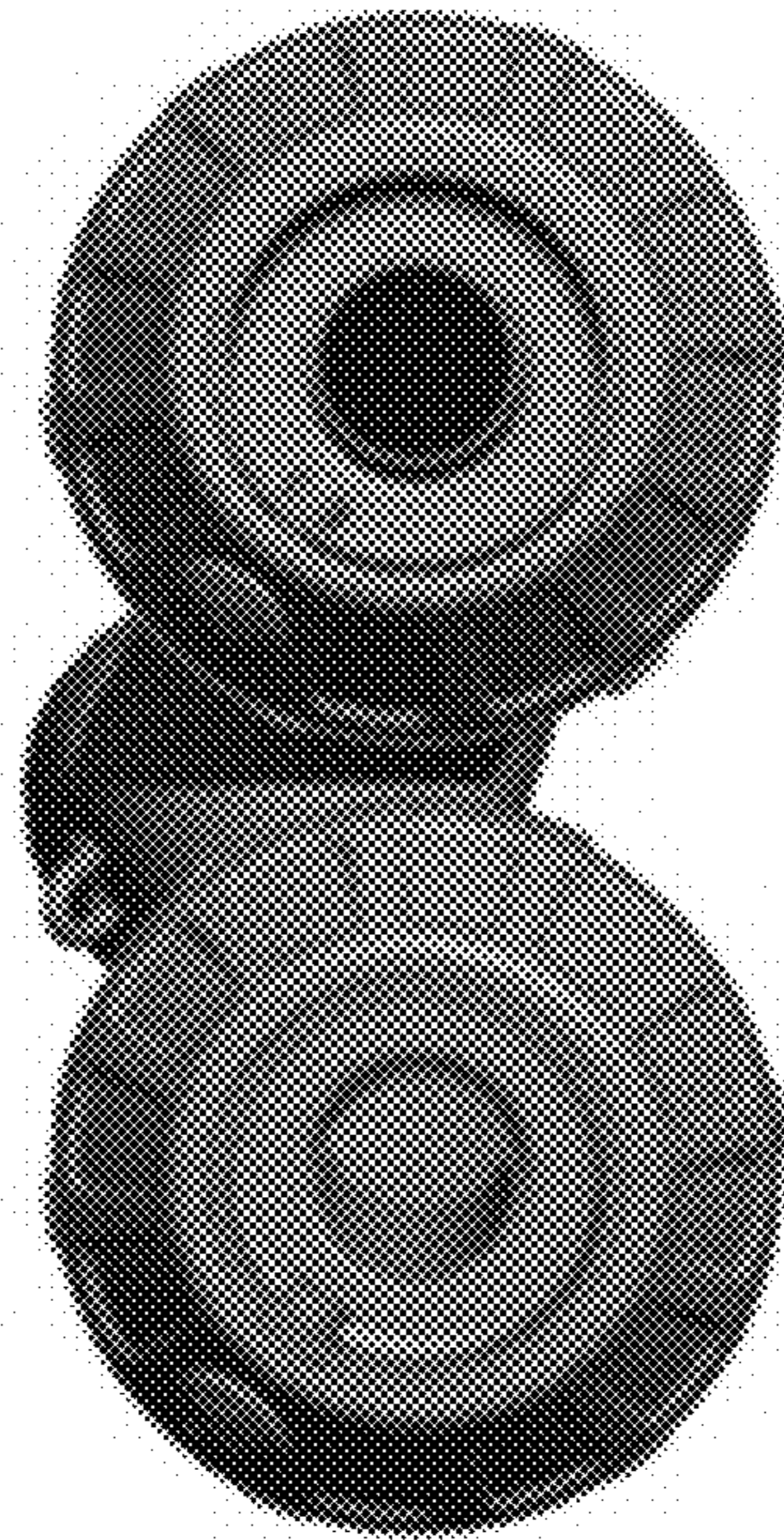
1.5



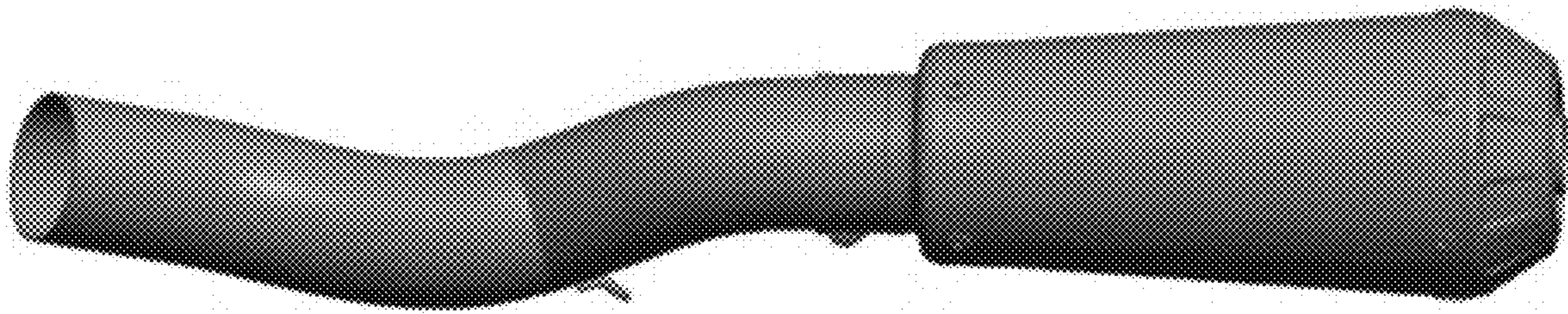
1.6



1.7



1.8



1.9

