



US00D803741S

(12) **United States Design Patent** (10) **Patent No.:** **US D803,741 S**  
**Tsubaki et al.** (45) **Date of Patent:** **\*\* Nov. 28, 2017**

(54) **FRONT FENDER FOR MOTOR VEHICLE**  
(71) Applicant: **Mazda Motor Corporation**, Hiroshima (JP)  
(72) Inventors: **Takanori Tsubaki**, Hiroshima (JP); **Yutaka Sukegawa**, Hiroshima (JP); **Masashi Hayashi**, Hiroshima (JP)  
(73) Assignee: **Mazda Motor Corporation**, Hiroshima (JP)

D669,829 S 10/2012 Iwao et al.  
D671,871 S \* 12/2012 Ohkoshi ..... D12/184  
D683,679 S \* 6/2013 Platto ..... D12/184  
D697,843 S \* 1/2014 Suga ..... D12/184  
D699,649 S \* 2/2014 Okue ..... D12/184  
D718,687 S \* 12/2014 Ishizuka ..... D12/184  
D740,188 S \* 10/2015 Blanski ..... D12/184  
D755,096 S \* 5/2016 Wolff ..... D12/184  
D763,753 S \* 8/2016 Hammoud ..... D12/184  
D768,551 S \* 10/2016 Arroba ..... D12/196  
D769,162 S \* 10/2016 Rodriguez ..... D12/184  
D787,395 S \* 5/2017 Curic ..... D12/181

(\*\*) Term: **15 Years**  
(21) Appl. No.: **29/582,378**  
(22) Filed: **Oct. 27, 2016**

**FOREIGN PATENT DOCUMENTS**

CN ZL201530186186.X 2/2016  
\* cited by examiner

(30) **Foreign Application Priority Data**  
Apr. 27, 2016 (JP) ..... D2016-009223

*Primary Examiner* — Karen S Acker  
*Assistant Examiner* — Jerry Hsu  
(74) *Attorney, Agent, or Firm* — Studebaker & Brackett PC

(51) **LOC (10) Cl.** ..... **12-16**  
(52) **U.S. Cl.**  
USPC ..... **D12/184**

(57) **CLAIM**  
The ornamental design for a front fender for motor vehicle, as shown and described.

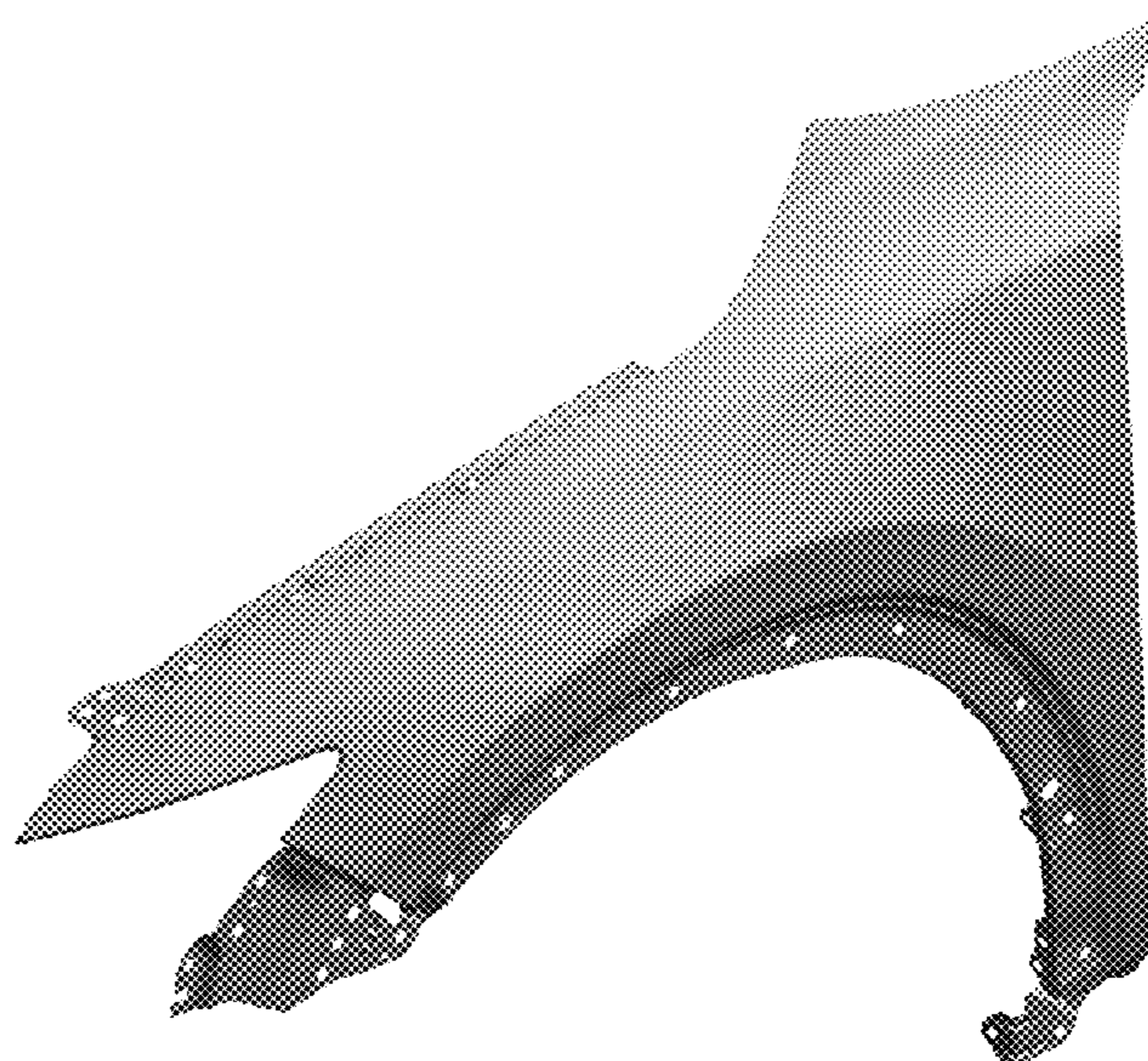
(58) **Field of Classification Search**  
USPC ..... D12/414, 415, 416, 417, 418, 419, 420, D12/421, 422, 423, 424, 425, 426, 190, D12/192, 195, 191, 106, 345, 96, 99, 400, D12/181, 184, 185, 170, 169  
CPC ..... B62D 25/18; B62D 25/16; B62D 25/161; B62D 25/168; B62D 25/182; B62D 25/184  
See application file for complete search history.

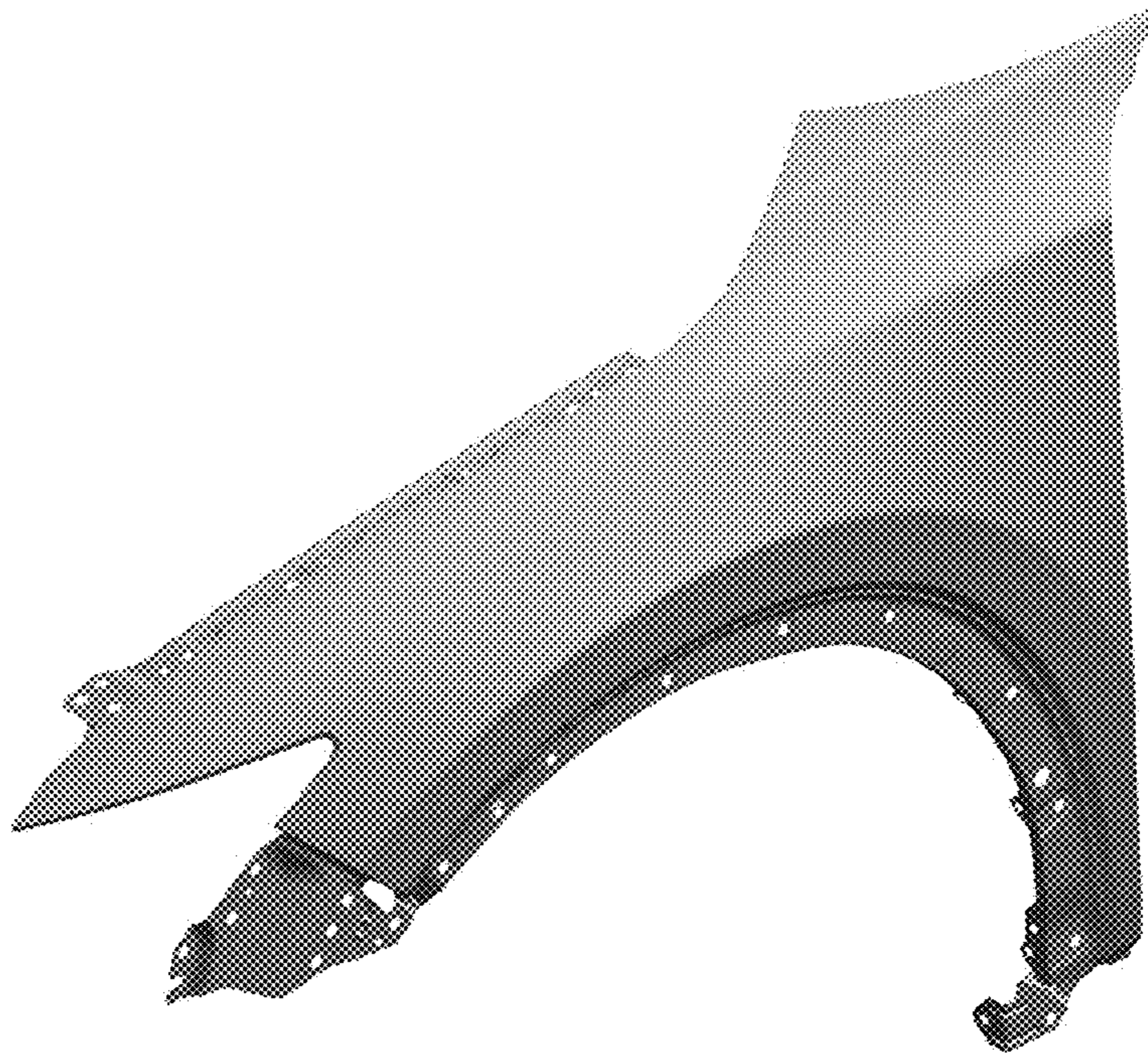
**DESCRIPTION**

FIG. 1 is a first perspective view of a front fender for motor vehicle;  
FIG. 2 is a second perspective view thereof;  
FIG. 3 is a front view thereof;  
FIG. 4 is a rear view thereof;  
FIG. 5 is a left side view thereof;  
FIG. 6 is a right side view thereof;  
FIG. 7 is a top view thereof; and,  
FIG. 8 is a bottom view thereof.

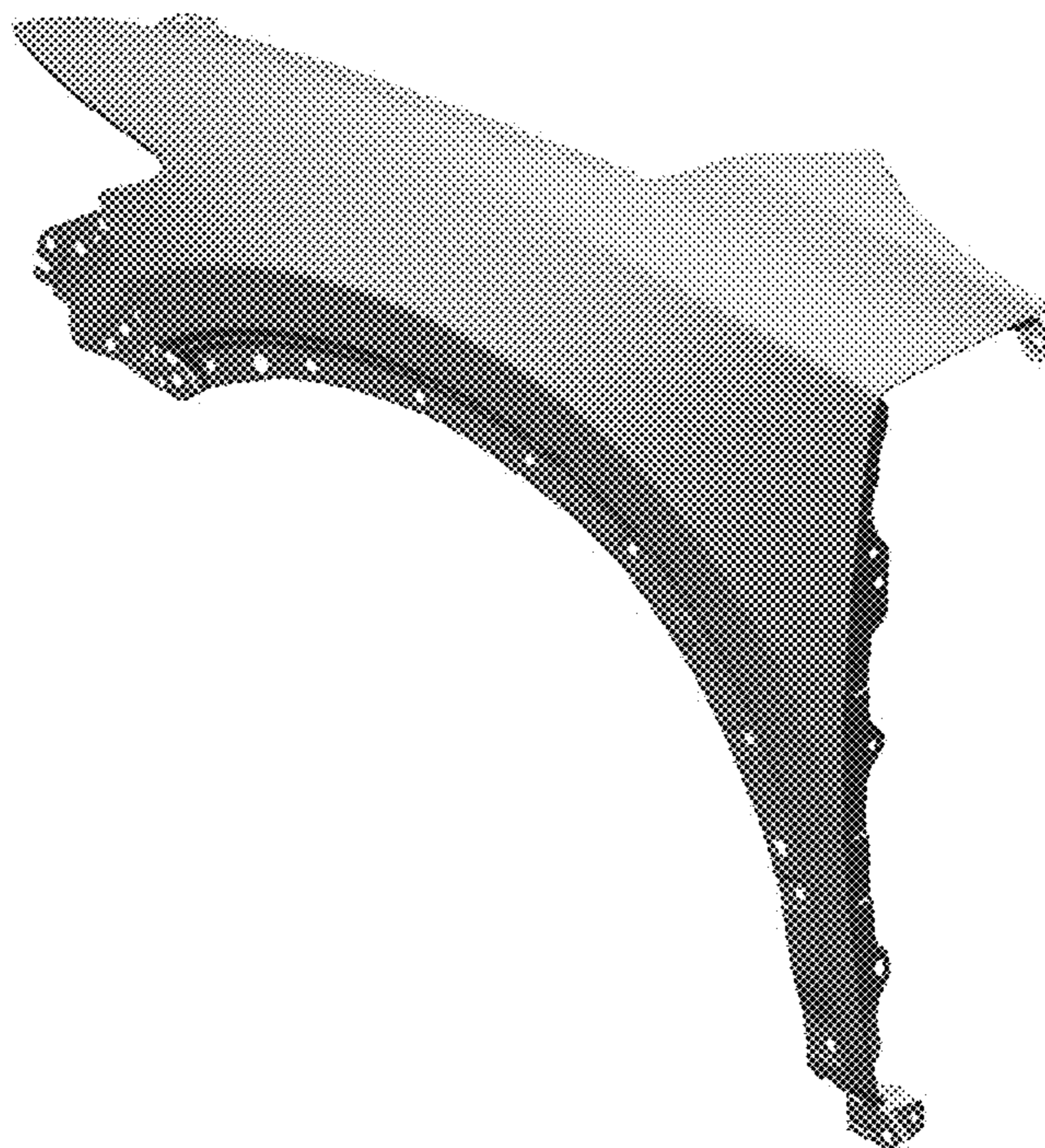
(56) **References Cited**  
U.S. PATENT DOCUMENTS  
D591,213 S \* 4/2009 Woolley ..... D12/184  
D654,413 S \* 2/2012 Okumoto ..... D12/184

**1 Claim, 4 Drawing Sheets**

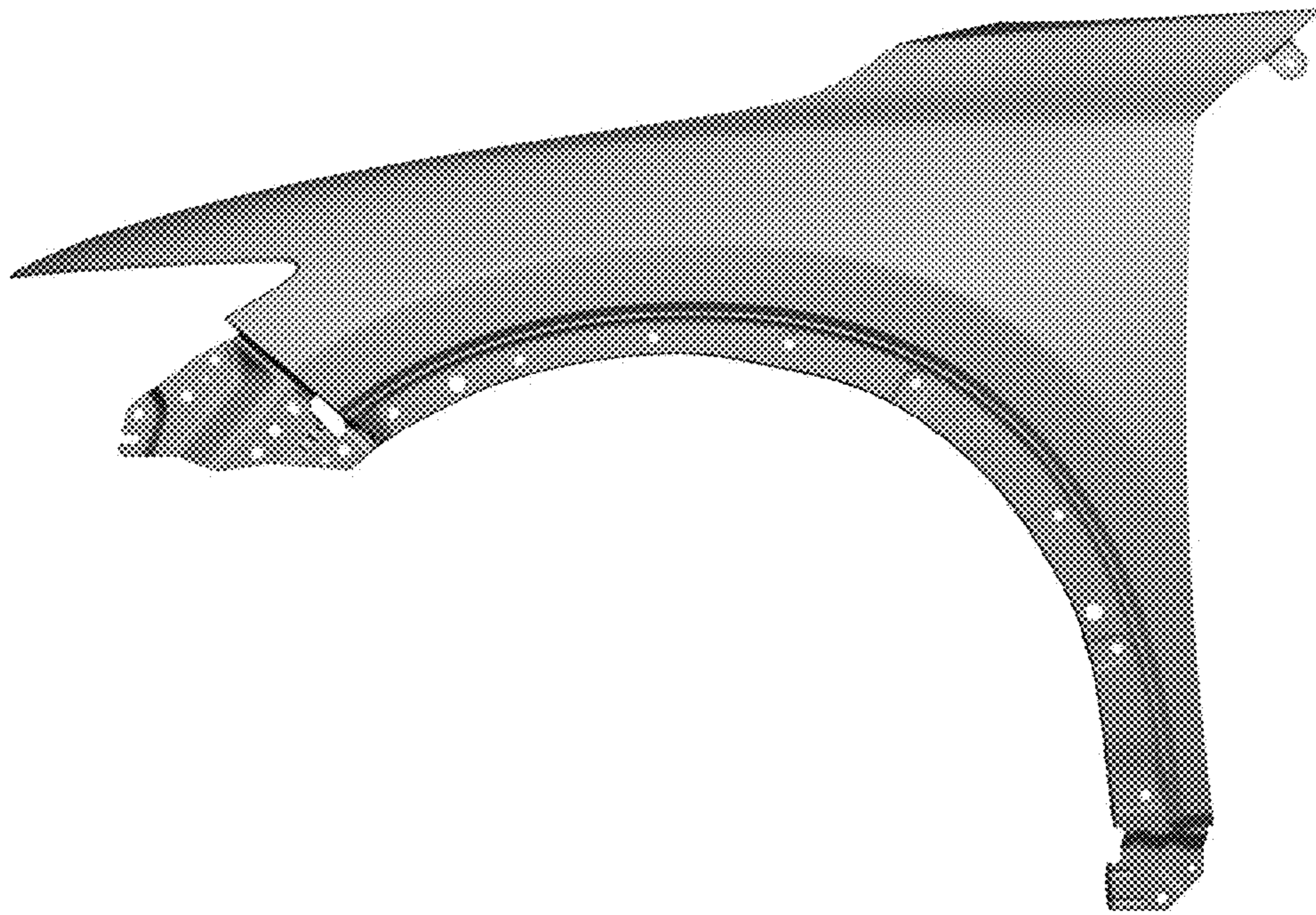




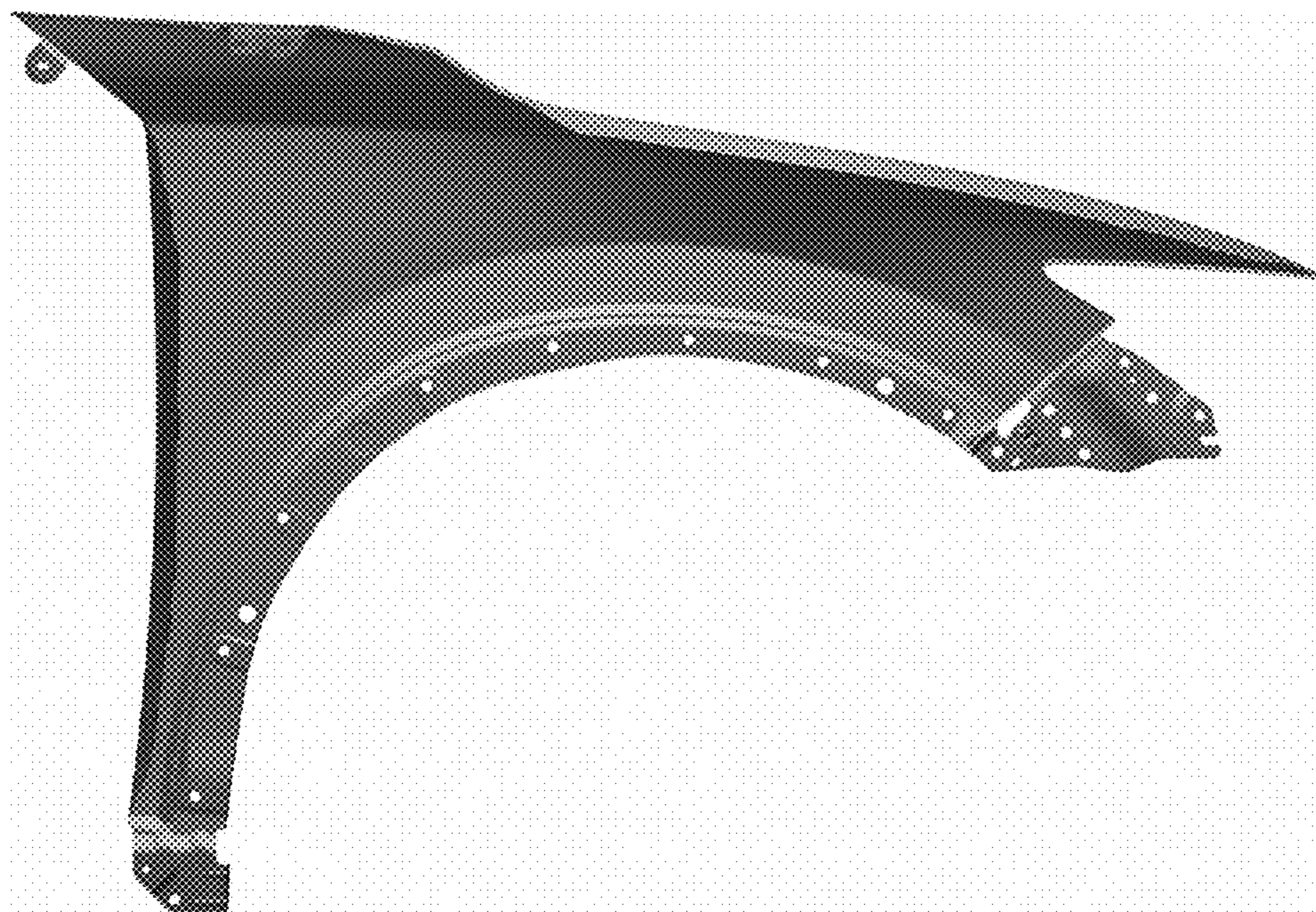
*FIG. 1*



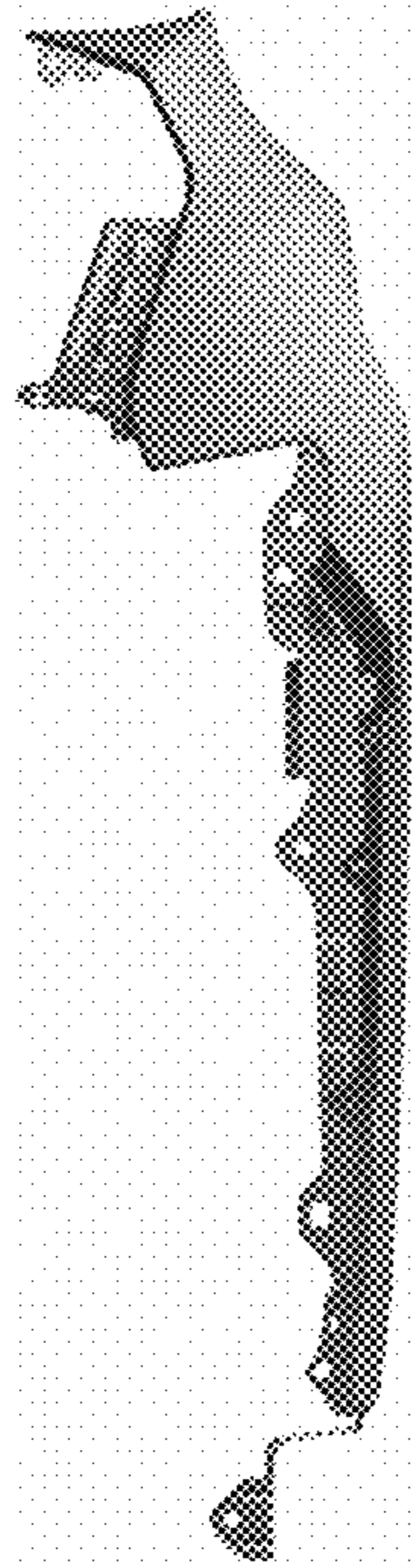
*FIG. 2*



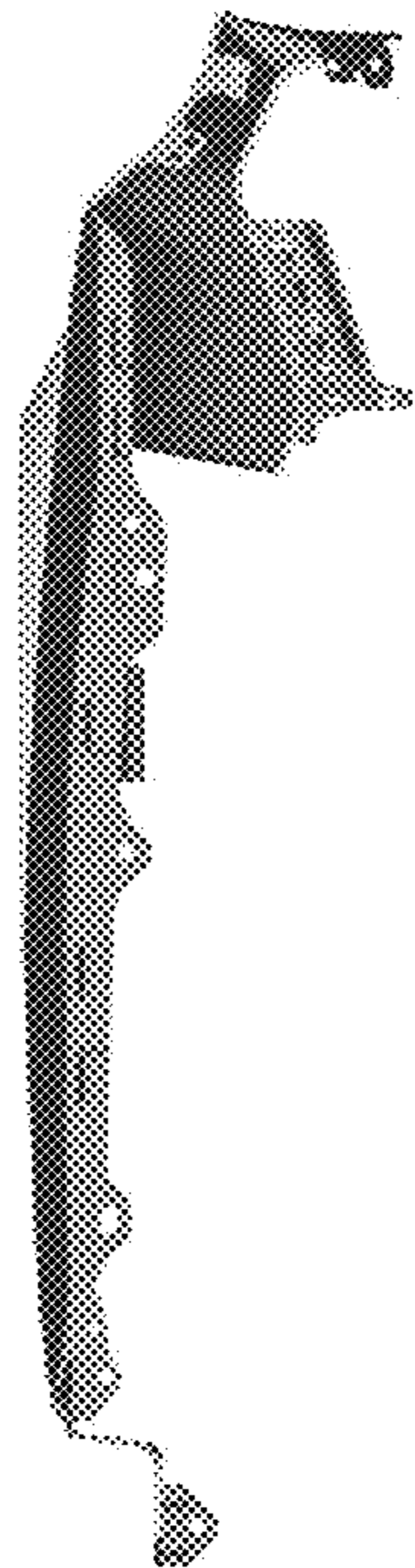
*FIG. 3*



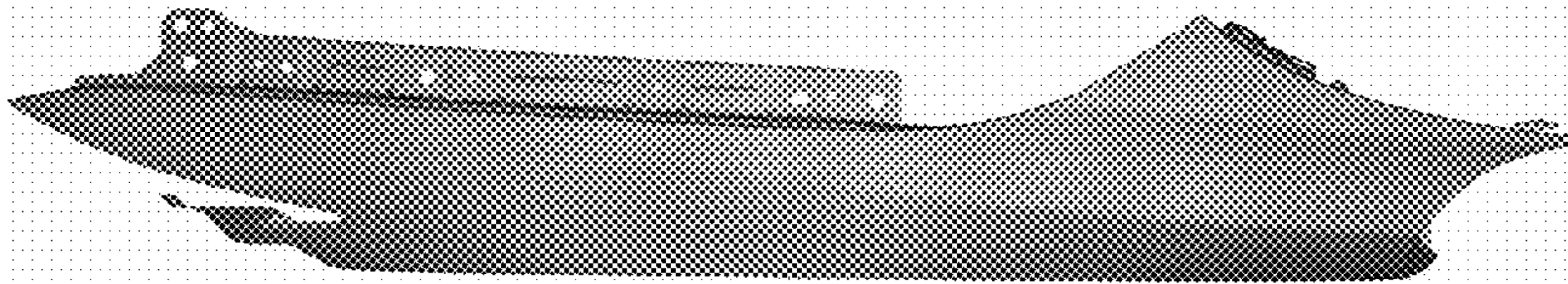
*FIG. 4*



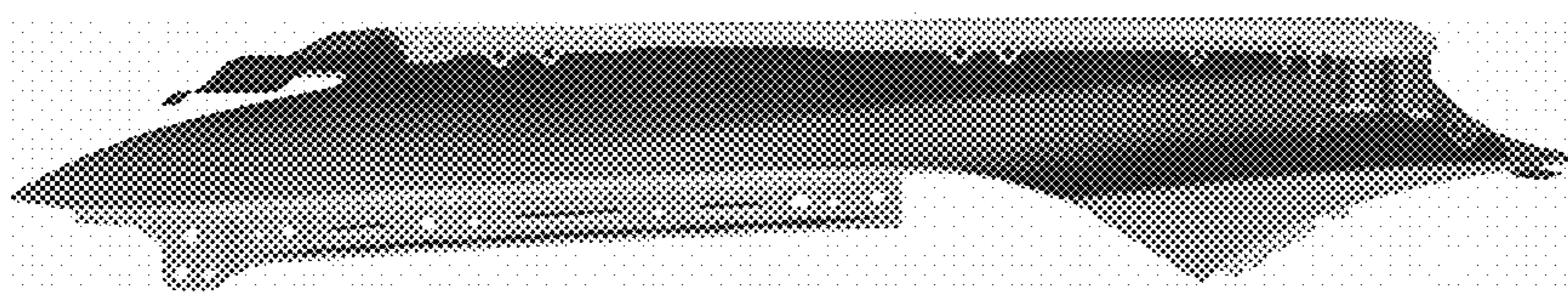
*FIG. 5*



*FIG. 6*



*FIG. 7*



*FIG. 8*