



US00D803740S

(12) **United States Design Patent** (10) **Patent No.:** **US D803,740 S**
Im (45) **Date of Patent:** **** Nov. 28, 2017**

(54) **FENDER PANEL OF CAR**
(71) Applicant: **GM GLOBAL TECHNOLOGY OPERATIONS LLC**, Detroit, MI (US)
(72) Inventor: **Youngsoo Im**, Incheon (KR)
(73) Assignee: **GM GLOBAL TECHNOLOGY OPERATIONS LLC**, Detroit, MI (US)
(**) Term: **15 Years**
(21) Appl. No.: **29/568,553**
(22) Filed: **Jun. 20, 2016**

D503,912 S * 4/2005 Metros D12/184
D562,202 S * 2/2008 Tant D12/184
D580,327 S * 11/2008 Lamm D12/184
D610,512 S * 2/2010 Bucher D12/184
D660,214 S * 5/2012 Cartabiano D12/184
D680,927 S * 4/2013 Messale D12/184
D781,192 S * 3/2017 Kozub D12/181

* cited by examiner

Primary Examiner — George D. Kirschbaum
Assistant Examiner — Joseph J Kukella
(74) *Attorney, Agent, or Firm* — Browdy and Neimark, PLLC

(30) **Foreign Application Priority Data**
Dec. 22, 2015 (KR) 30-2015-0065451
(51) **LOC (10) Cl.** **12-16**
(52) **U.S. Cl.**
USPC **D12/184**
(58) **Field of Classification Search**
USPC D12/82, 86, 90–93, 96, 97, 99, 175, 177,
D12/181, 184, 190, 196, 221
CPC B62D 35/00; B62D 35/001; B60J 1/00;
B60J 1/008
See application file for complete search history.

(57) **CLAIM**
The ornamental design for a fender panel of car, as shown and described.

(56) **References Cited**
U.S. PATENT DOCUMENTS
D317,586 S * 6/1991 Yoshinao D12/184
D440,196 S * 4/2001 Pfeiffer D12/196

DESCRIPTION
FIG. 1 is a perspective view of new design for a fender panel of car as shown in the drawings;
FIG. 2 is a front elevation view of the fender panel of car;
FIG. 3 is a rear elevation view of the fender panel of car;
FIG. 4 is a left side view of the fender panel of car;
FIG. 5 is a right side view of the fender panel of car;
FIG. 6 is a top plan view of the fender panel of car; and,
FIG. 7 is a bottom plan view of the fender panel of car.

1 Claim, 7 Drawing Sheets

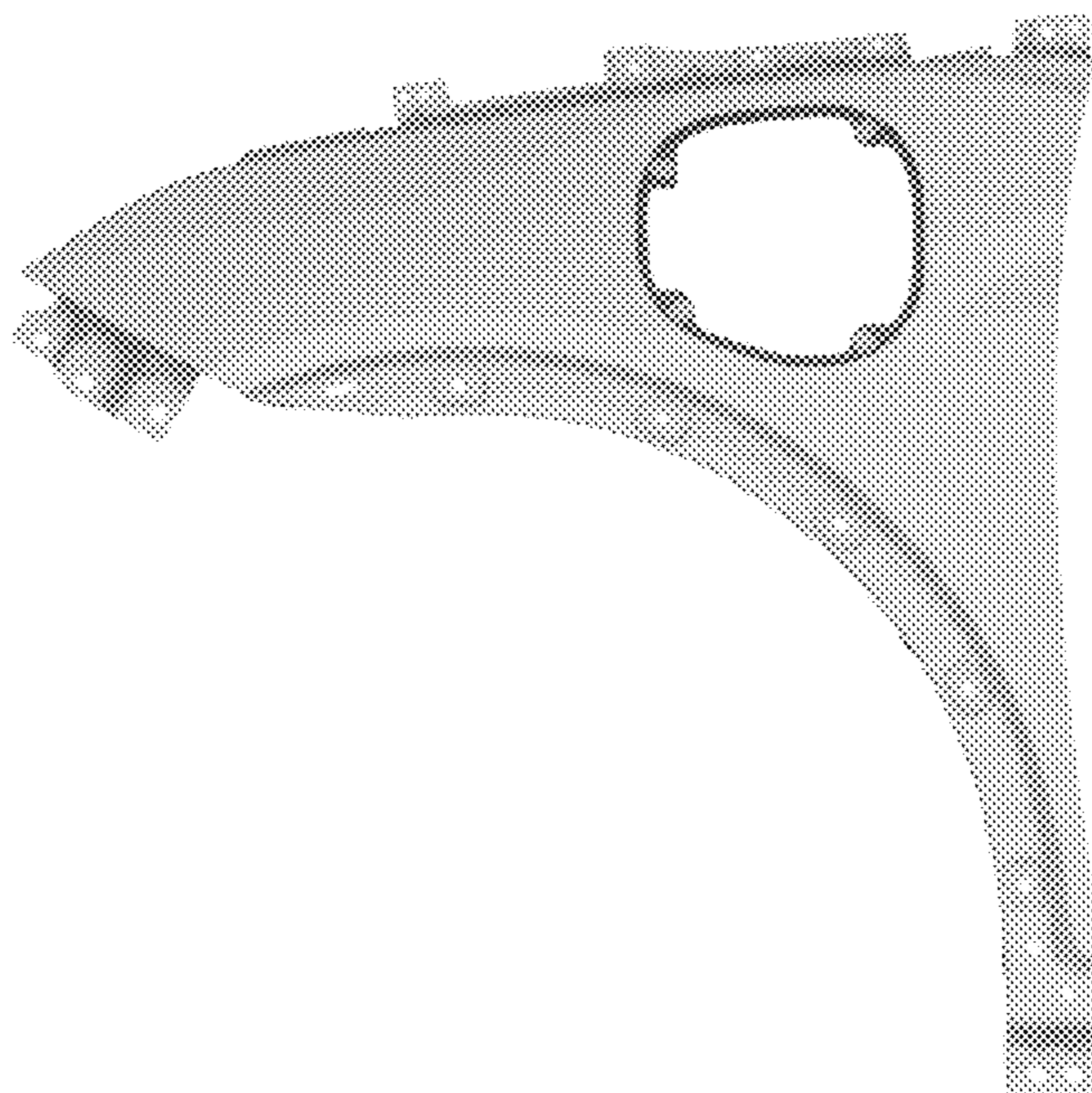


Fig. 1

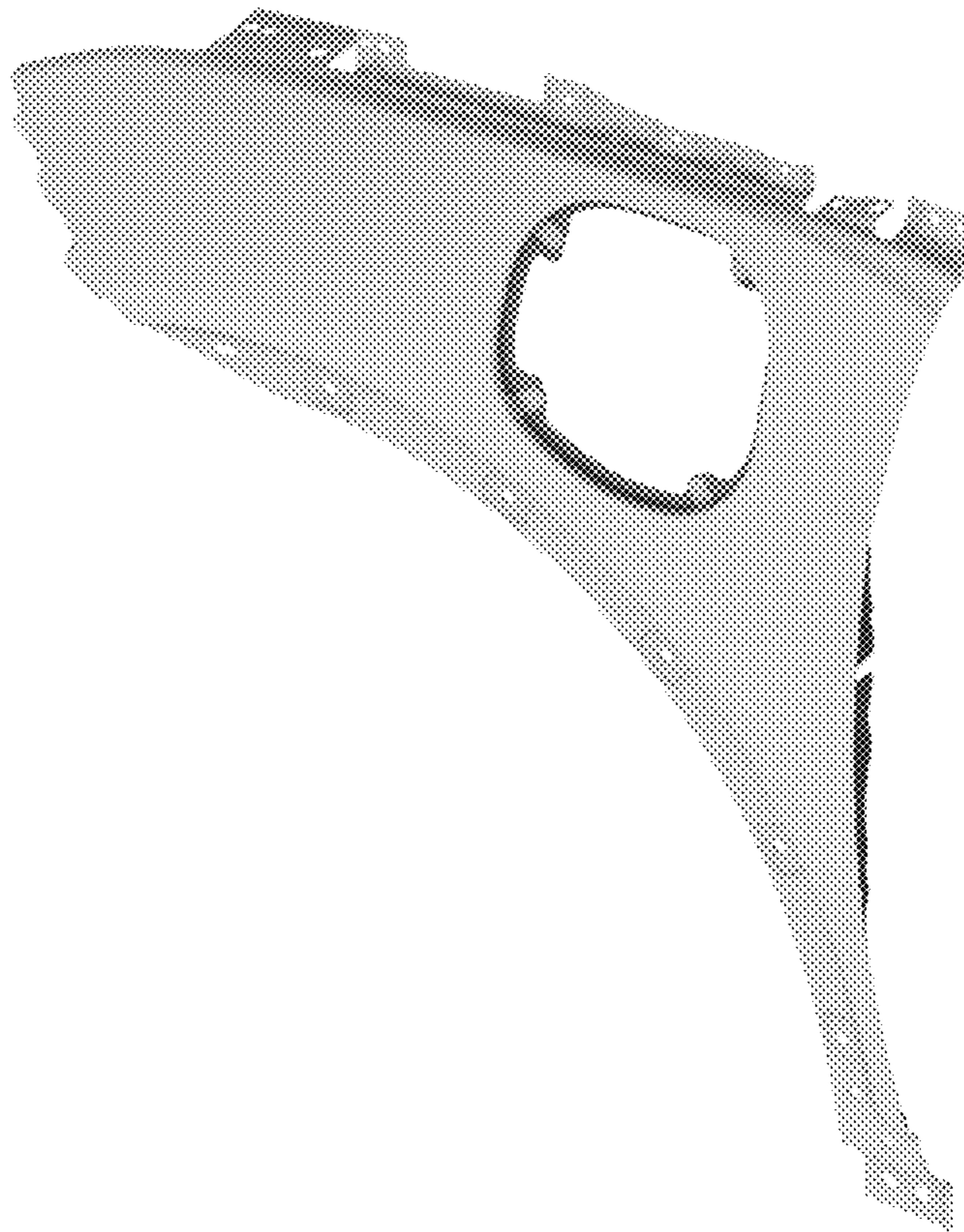


Fig. 2

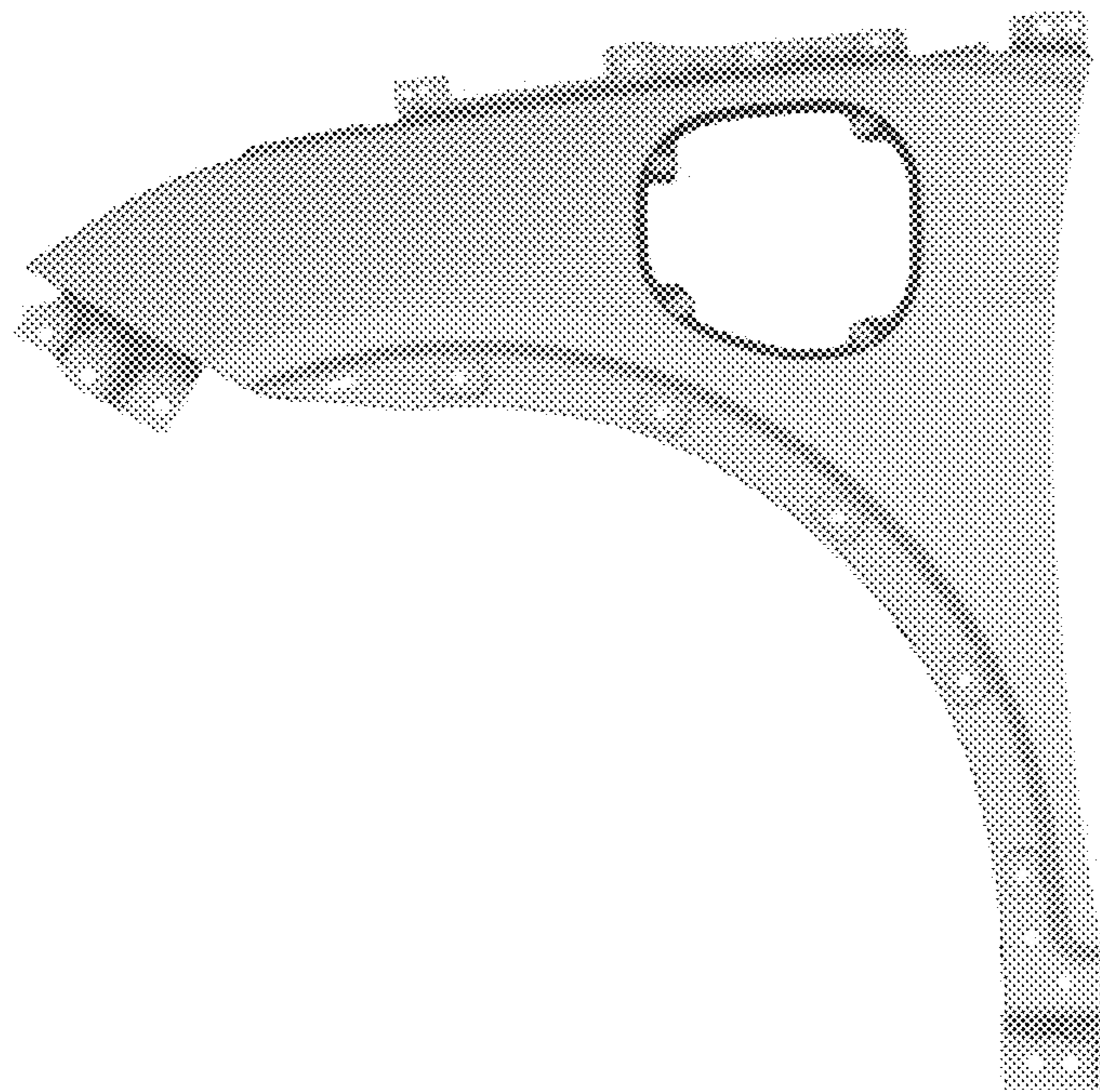


Fig. 3

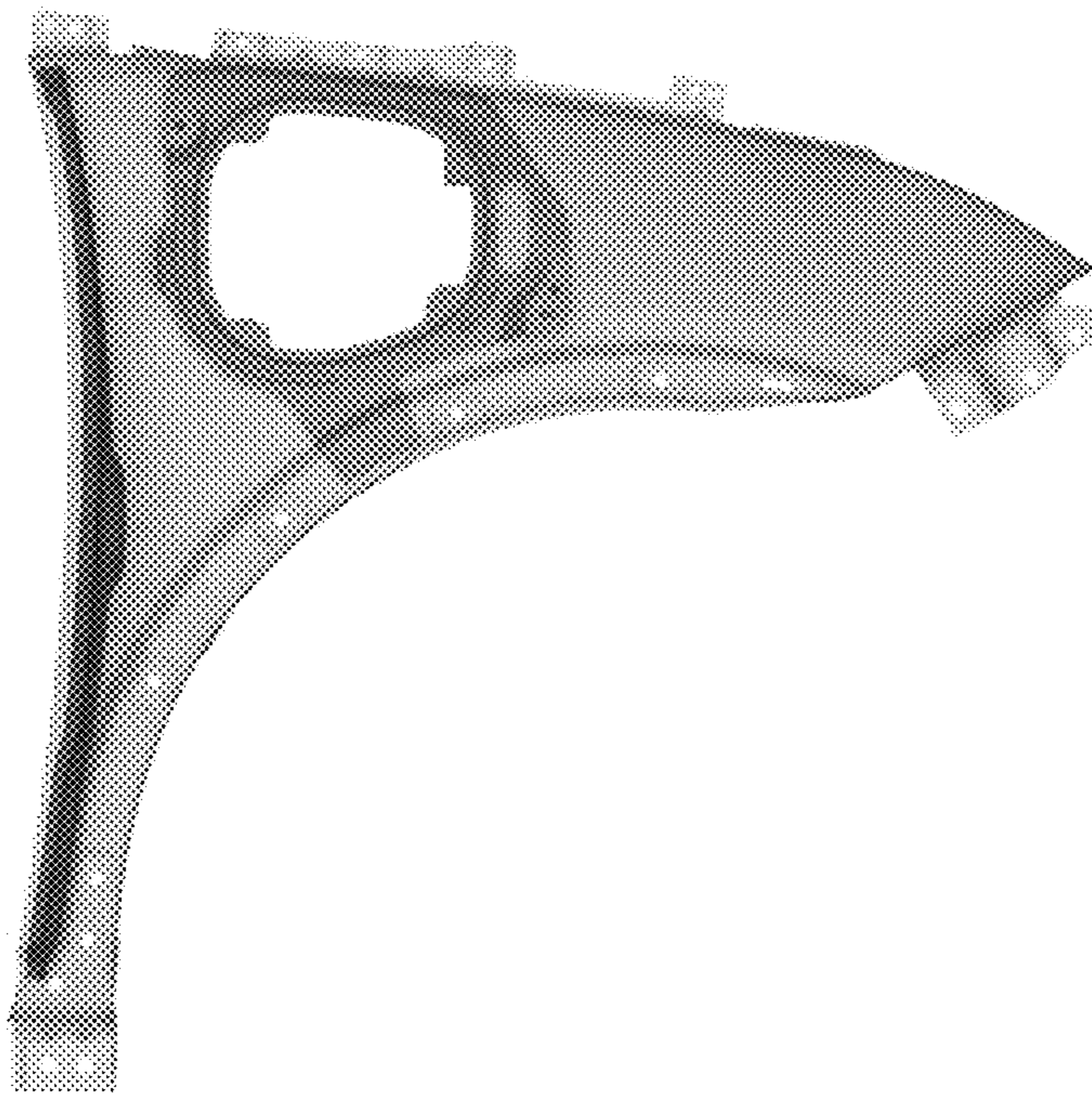


Fig. 4



Fig. 5

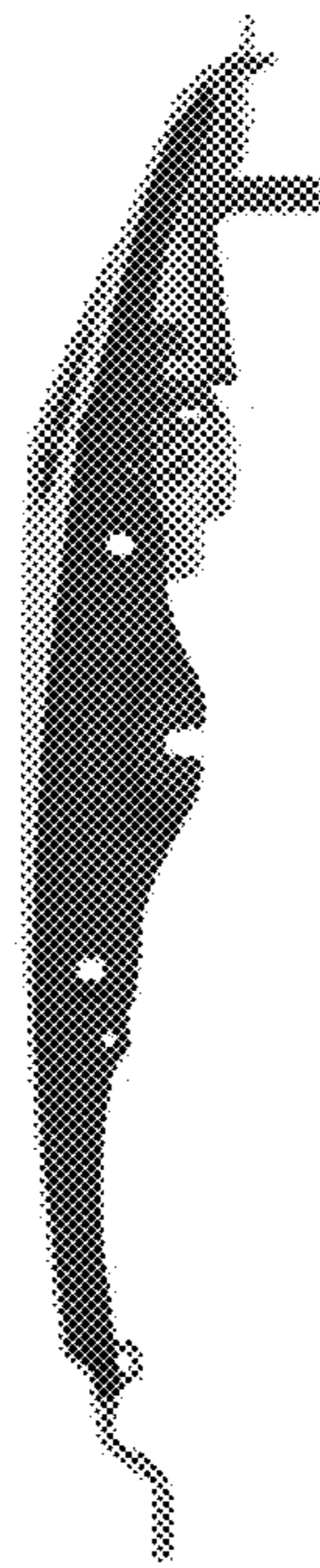


Fig. 6

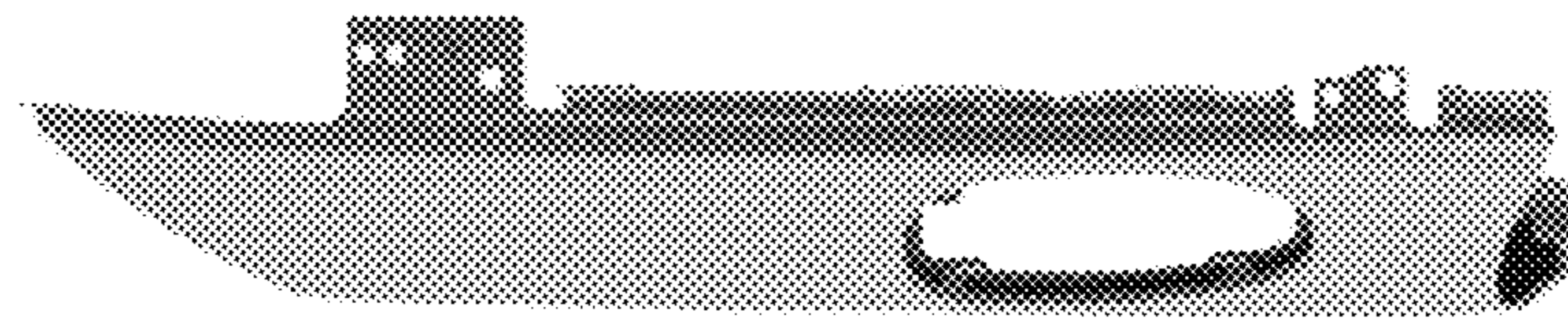


Fig. 7

