



US00D803739S

(12) **United States Design Patent**  
**Cosme et al.**

(10) **Patent No.:** **US D803,739 S**

(45) **Date of Patent:** **\*\* Nov. 28, 2017**

(54) **FRONT BUMPER SIDE AIR DAM FOR A VEHICLE**

(71) Applicant: **Daimler AG**, Stuttgart (DE)

(72) Inventors: **Carlos Cosme**, Vancouver, WA (US);  
**Morris Henry**, Happy Valley, OR (US);  
**Dinesh Madugundi**, Portland, OR (US)

(73) Assignee: **Daimler AG**, Stuttgart (DE)

(\*\*) Term: **15 Years**

(21) Appl. No.: **29/575,544**

(22) Filed: **Aug. 25, 2016**

(51) **LOC (10) Cl.** ..... **12-16**

(52) **U.S. Cl.**  
USPC ..... **D12/172**; D12/169

(58) **Field of Classification Search**  
USPC ..... D12/86, 90, 91, 92, 163, 164, 169, 171,  
D12/172, 196, 216  
CPC ..... B60R 19/02; B60R 19/18; B60R 19/24;  
B60R 19/56; B60R 2019/007  
See application file for complete search history.

(56) **References Cited**

U.S. PATENT DOCUMENTS

D247,745 S *	4/1978	Tixier	.....	D12/172
4,422,680 A *	12/1983	Goupy	.....	B60R 19/04 264/137
D281,152 S *	10/1985	Luthe	.....	D12/167
D281,873 S *	12/1985	Milton	.....	D12/172
D295,845 S *	5/1988	Soma	.....	D12/172
D304,569 S *	11/1989	Brunger	.....	D12/172
D316,698 S *	5/1991	Hensley	.....	D12/172
D422,541 S *	4/2000	Richter	.....	D12/167
D423,429 S *	4/2000	Hickman	.....	D12/169
D473,498 S *	4/2003	Breckner	.....	D12/167

(Continued)

OTHER PUBLICATIONS

Evans, Brett T., "Spied: New Freightliner Cascadia Gets SuperTruck-Like Improvements," Diesel Power Magazine, Mar. 30, 2015.

*Primary Examiner* — Darlington Ly

(74) *Attorney, Agent, or Firm* — Crowell & Moring LLP

(57) **CLAIM**

The ornamental design for a front bumper side air dam for a vehicle, as shown and described.

**DESCRIPTION**

This application contains subject matter related to the following co-pending U.S. design patent applications:

Application No. 29/572,848, filed Aug. 1, 2016 and entitled "Truck Cab, Toy, and/or Replicas thereof."

FIG. 1 is a front and left side perspective view of a front bumper side air dam for a vehicle showing our new design in accordance to a first embodiment;

FIG. 2 is a front elevational view thereof;

FIG. 3 is a right side elevational view thereof;

FIG. 4 is a top plan view thereof;

FIG. 5 is a bottom plan view thereof;

FIG. 6 is a front elevational view thereof, as installed on a front fascia portion of an exemplary vehicle;

FIG. 7 is a front and right side perspective view of a front bumper side air dam for a vehicle showing our new design in accordance to a second embodiment;

FIG. 8 is a front elevational view thereof;

FIG. 9 is a left side elevational view thereof;

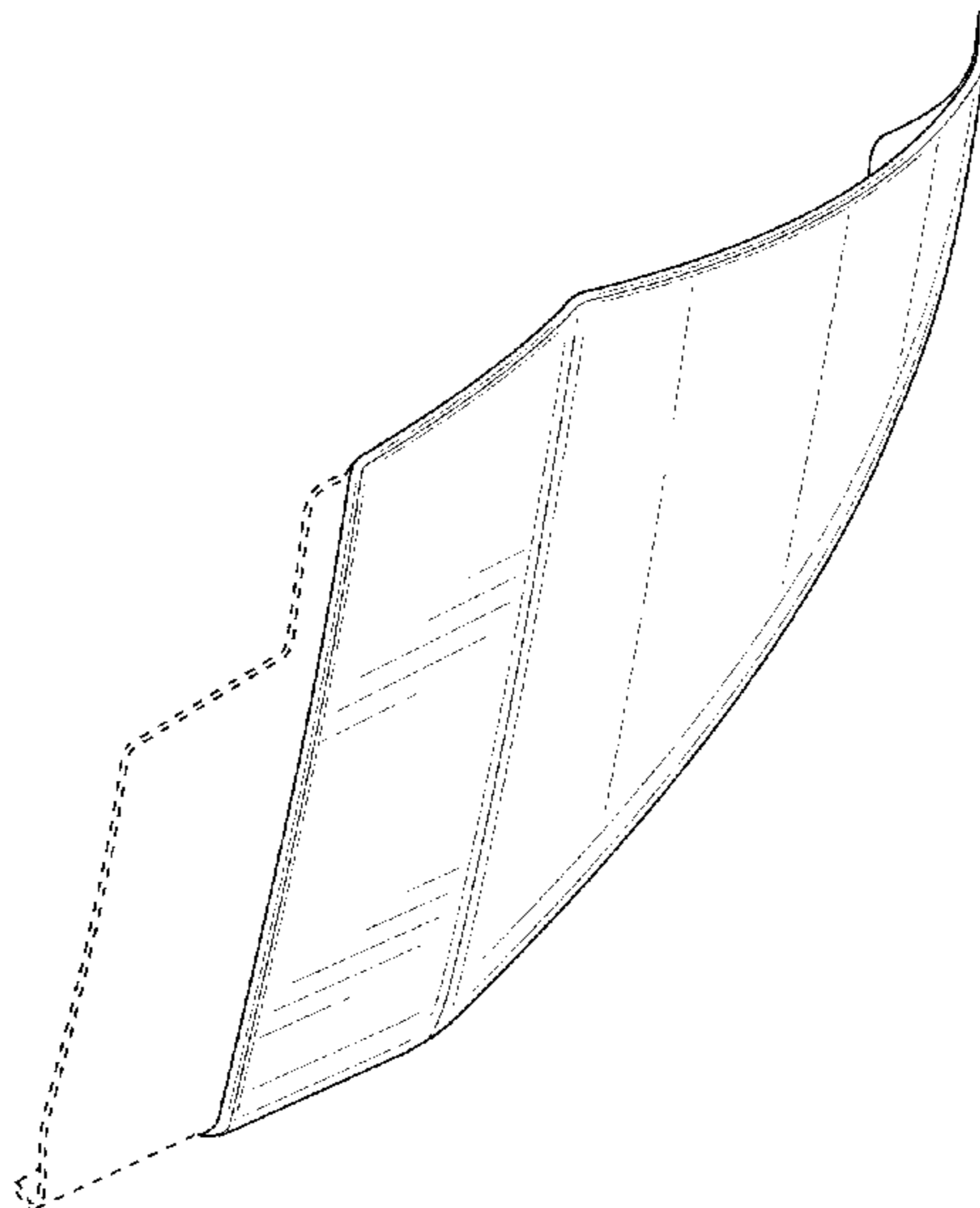
FIG. 10 is a top plan view thereof;

FIG. 11 is a bottom plan view thereof; and,

FIG. 12 is a front elevational view thereof, as installed on a front fascia portion of an exemplary vehicle.

The broken line showing of the front fascia of an exemplary vehicle and portions of the front bumper side air dam are provided for the purposes of illustrating both environmental structure and elements of the article that do not form part of the claimed design.

**1 Claim, 12 Drawing Sheets**



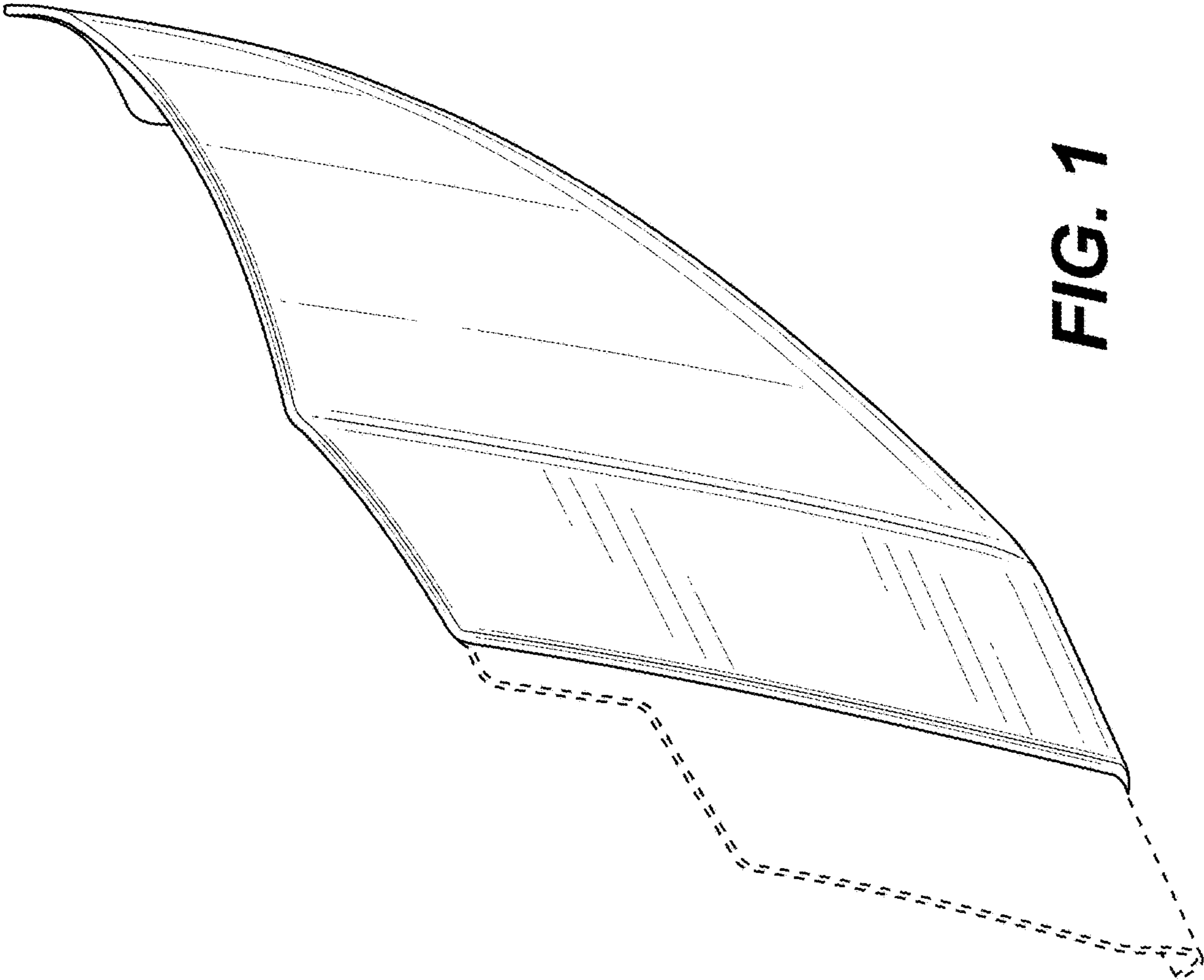
(56)

**References Cited**

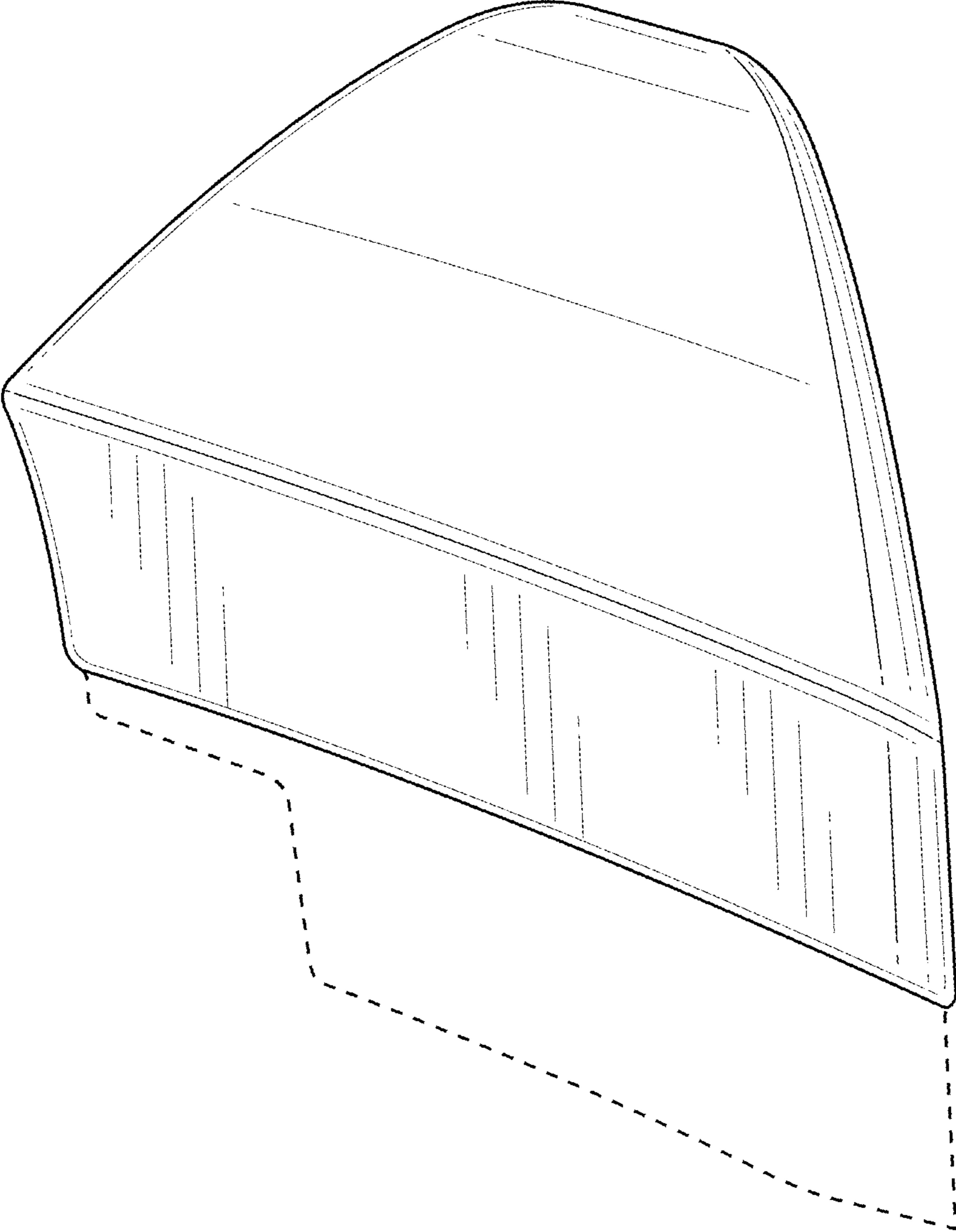
U.S. PATENT DOCUMENTS

D621,752 S *	8/2010	Angelo .....	D12/169
D636,963 S *	4/2011	Walter .....	D34/27
D653,999 S *	2/2012	Peltola .....	D12/169
D684,508 S *	6/2013	Peltola .....	293/102
D694,678 S *	12/2013	Campbell .....	D12/169
D710,268 S	8/2014	Brzustowicz et al.	
D710,767 S *	8/2014	Heilaneh .....	D12/169
D711,786 S	8/2014	Brzustowicz et al.	
D711,787 S	8/2014	Brzustowicz	
D711,788 S	8/2014	Brzustowicz	
D728,239 S *	5/2015	Sanz .....	D3/318
D775,018 S *	12/2016	Frykholm .....	D12/169
D789,852 S *	6/2017	Frykholm .....	D12/169
2010/0102581 A1 *	4/2010	Goda .....	B60R 19/18 293/142

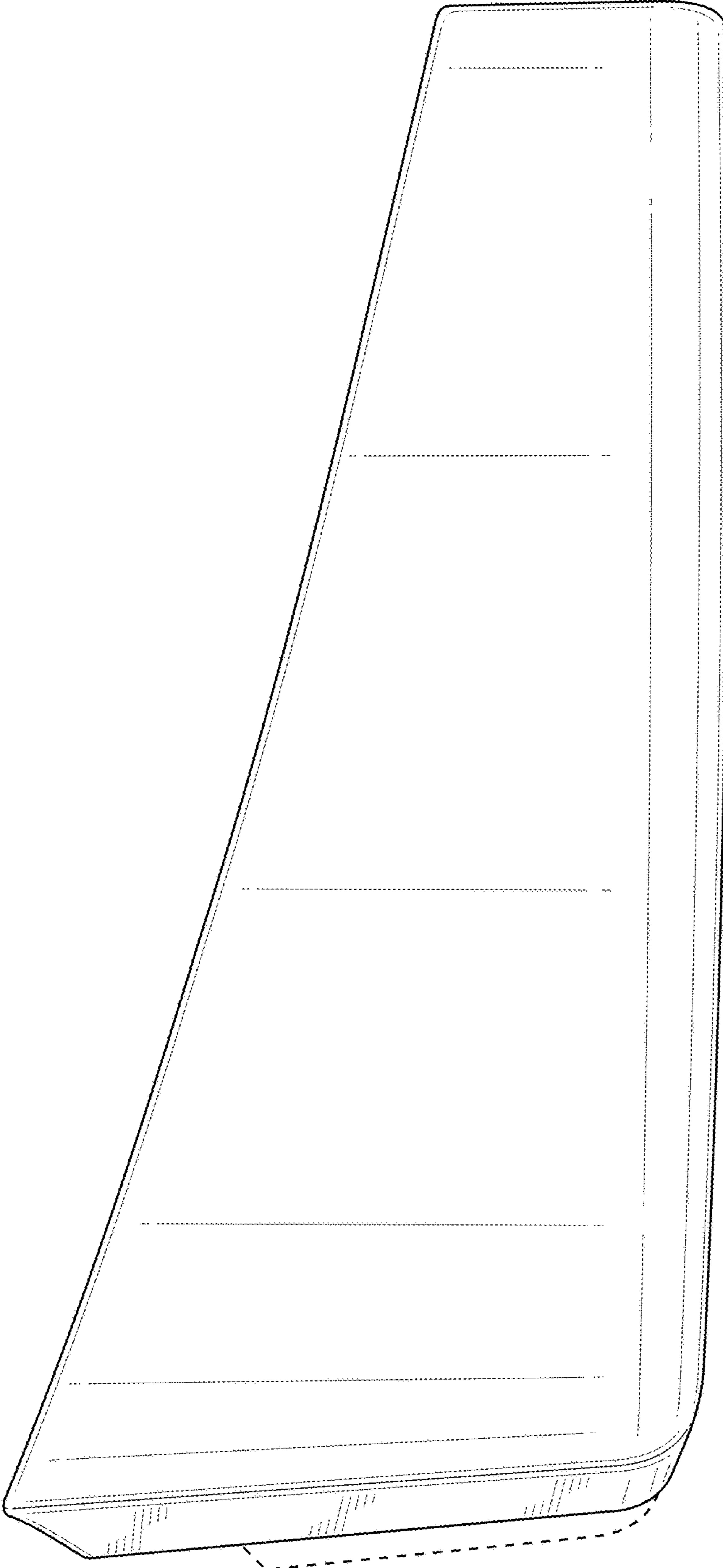
\* cited by examiner



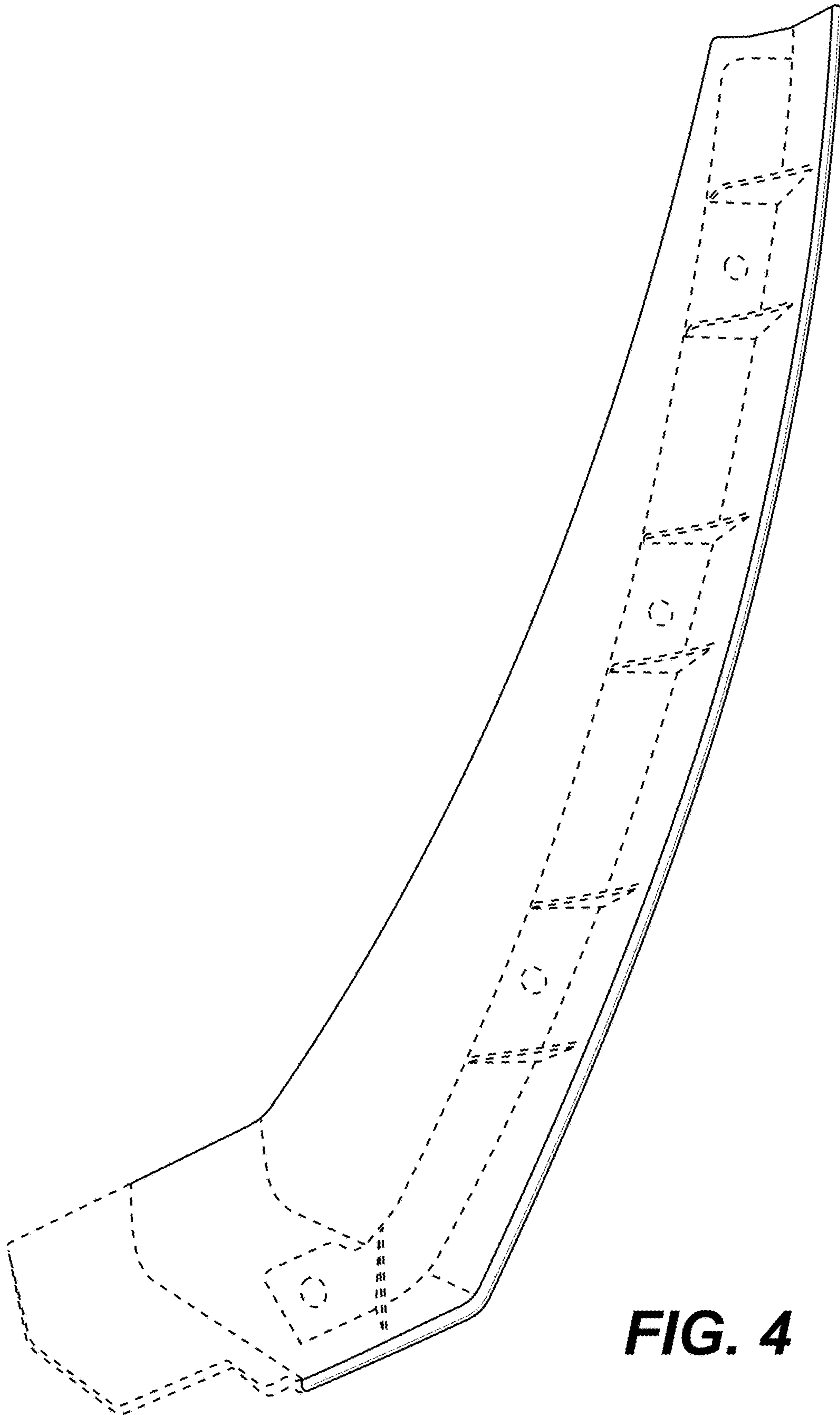
**FIG. 1**



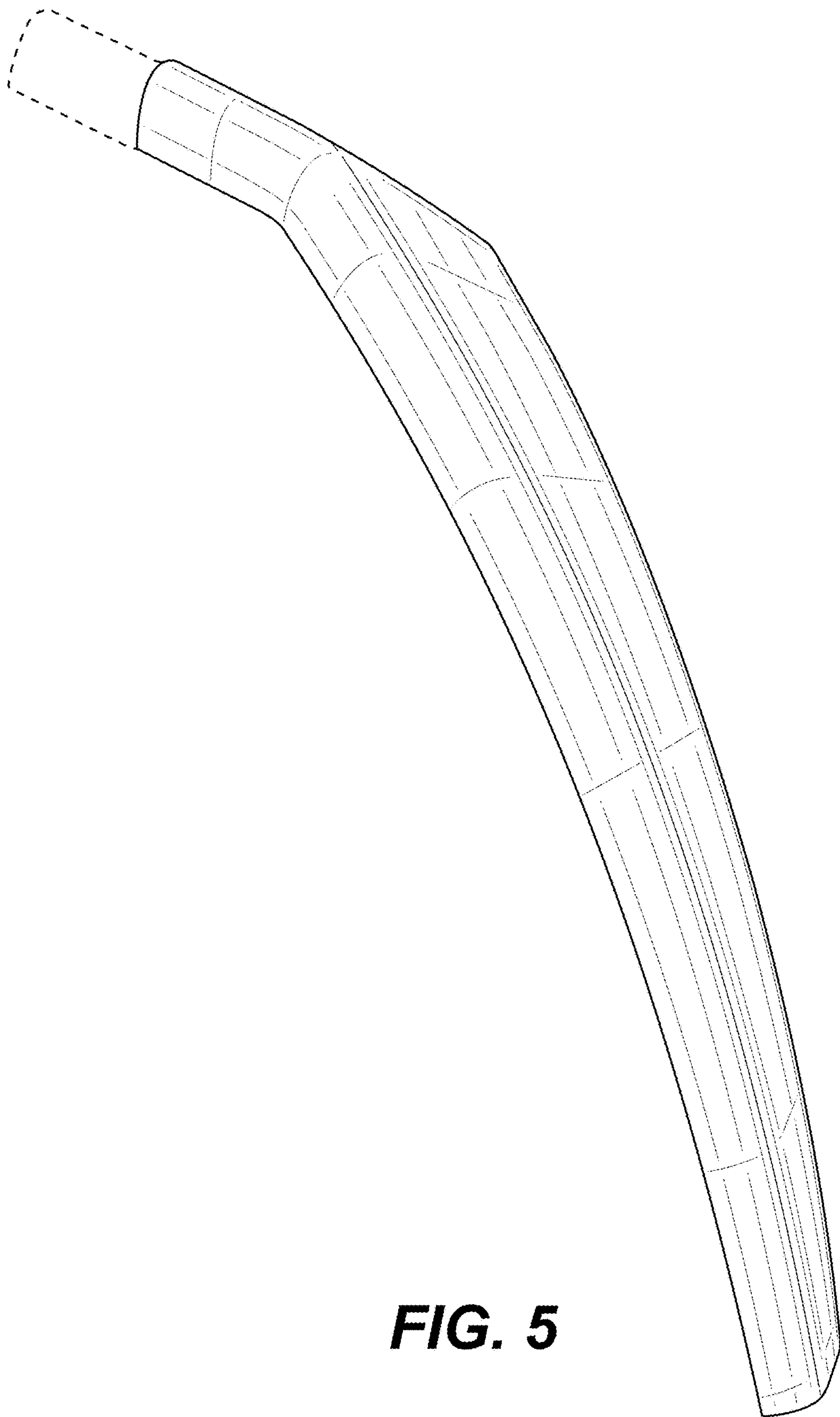
**FIG. 2**



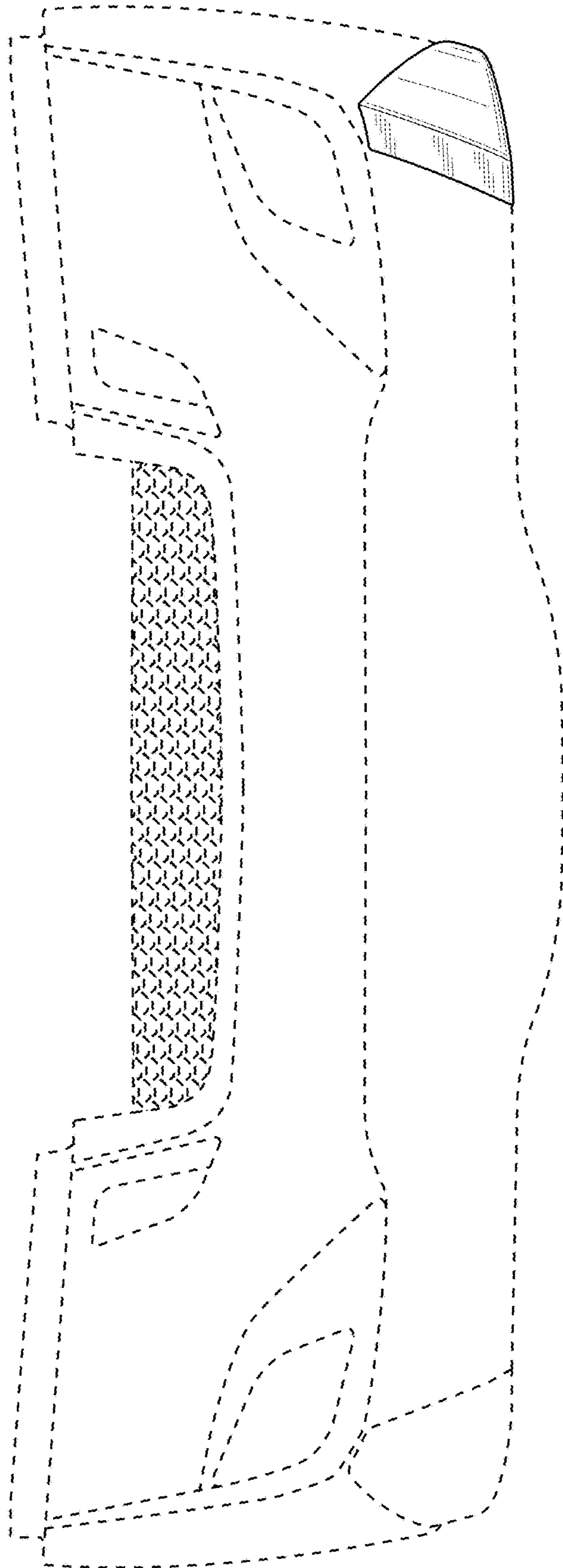
**FIG. 3**



**FIG. 4**

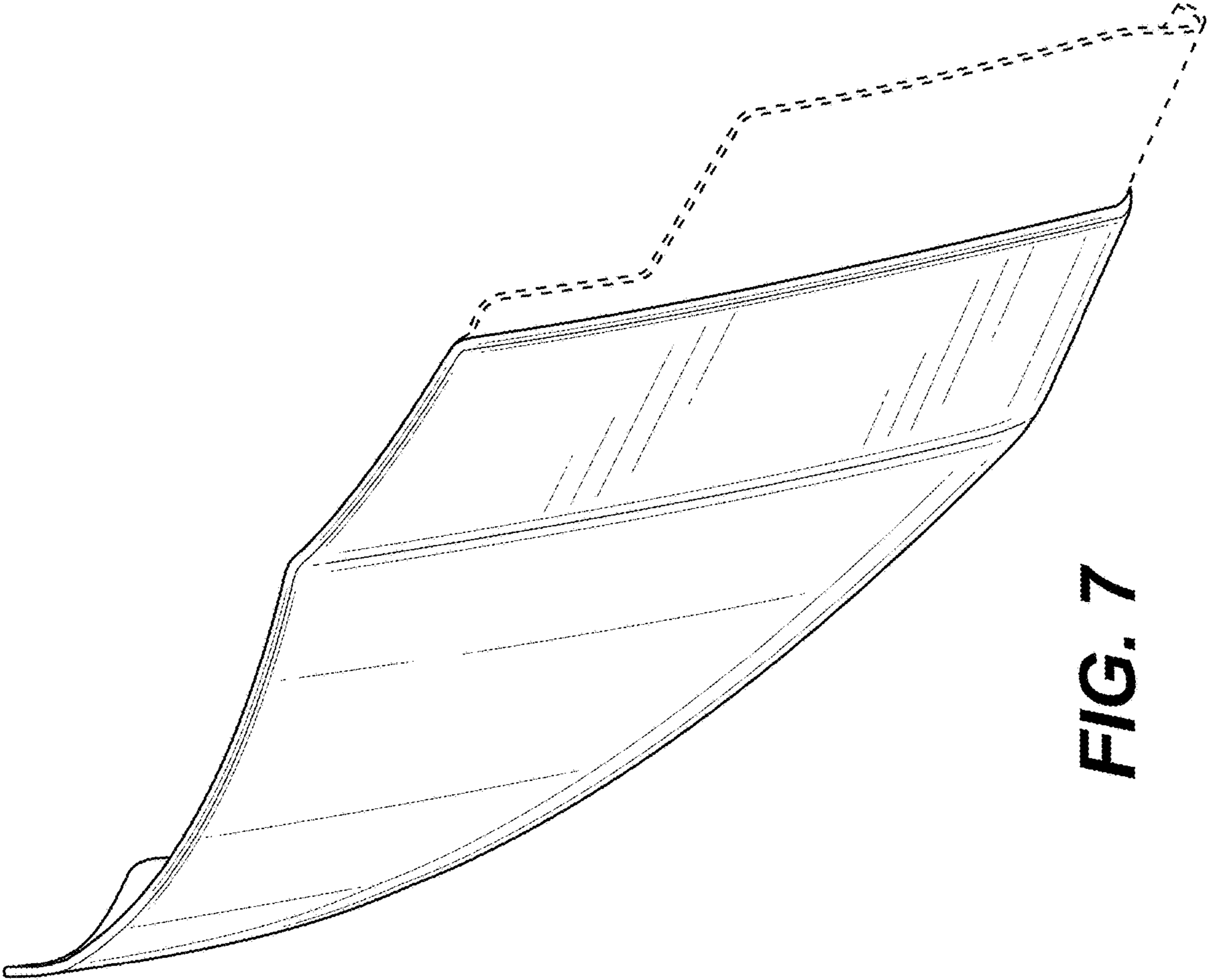


**FIG. 5**

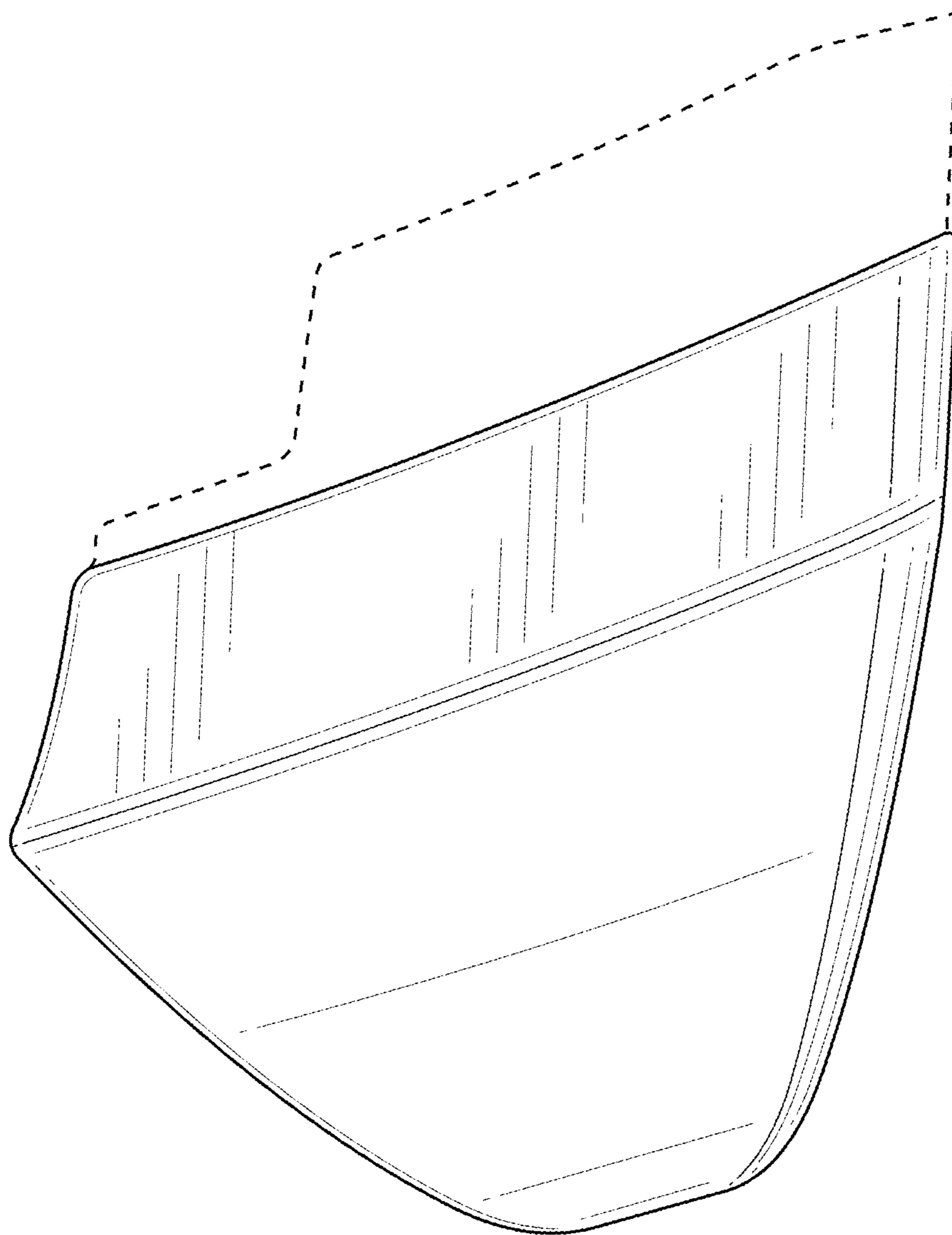


**FIG. 6**

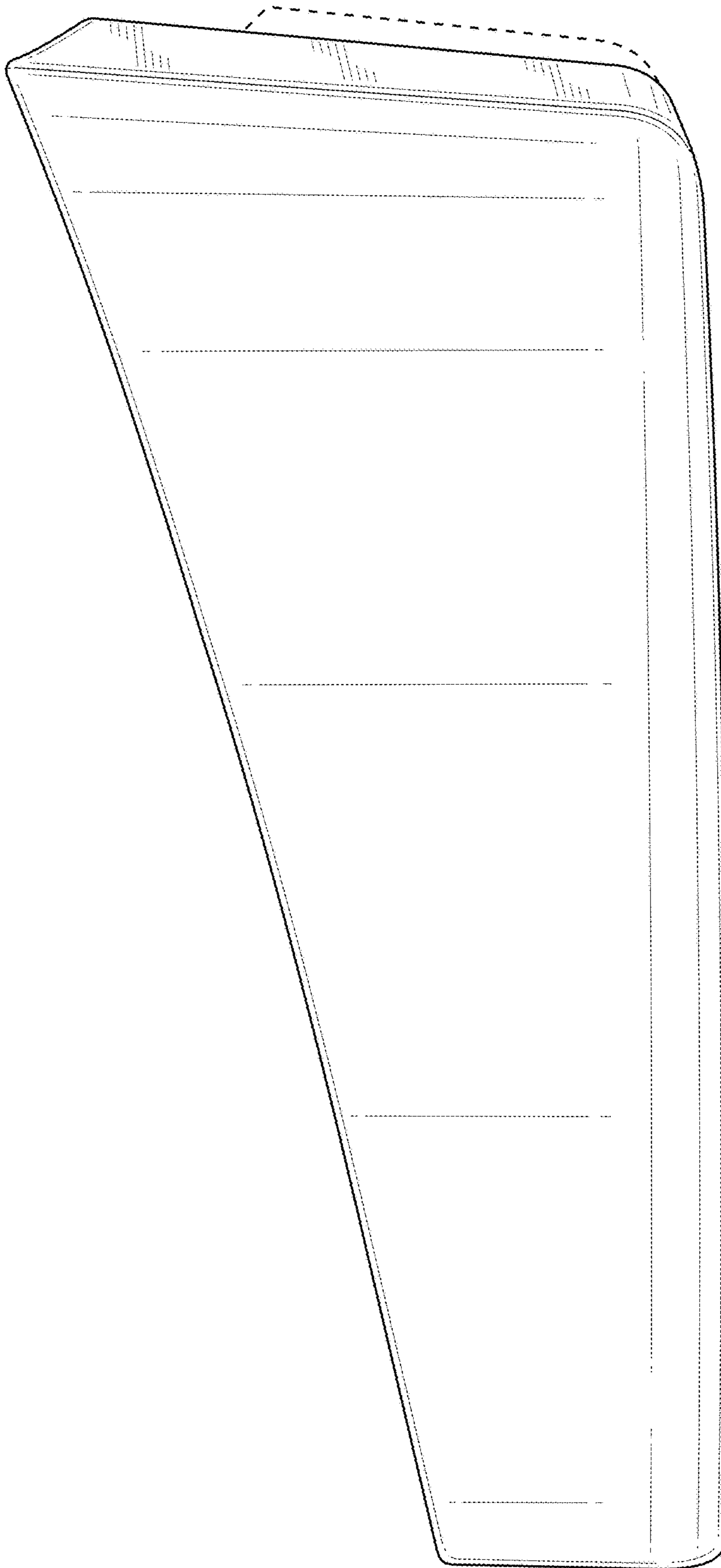




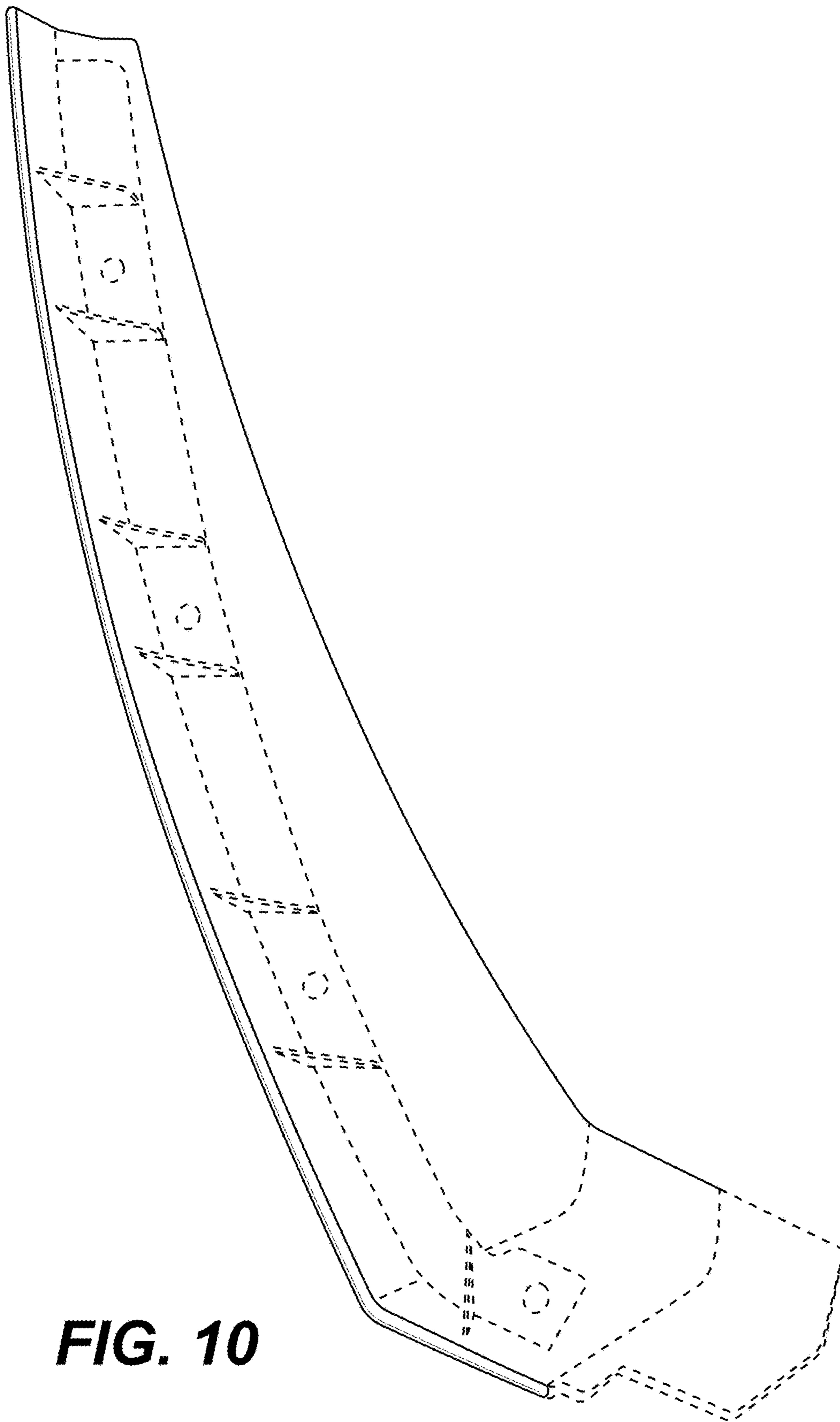
**FIG. 7**



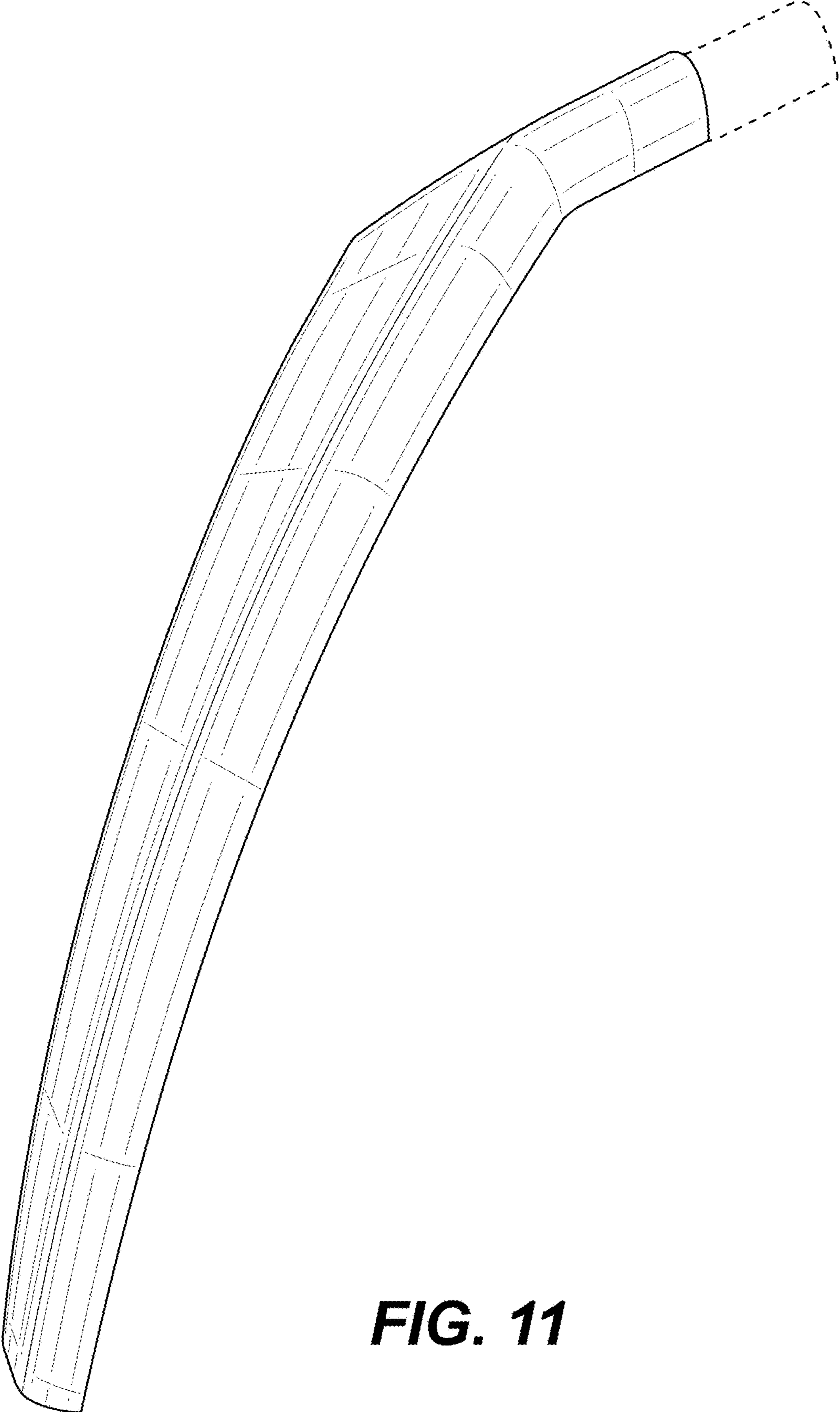
**FIG. 8**



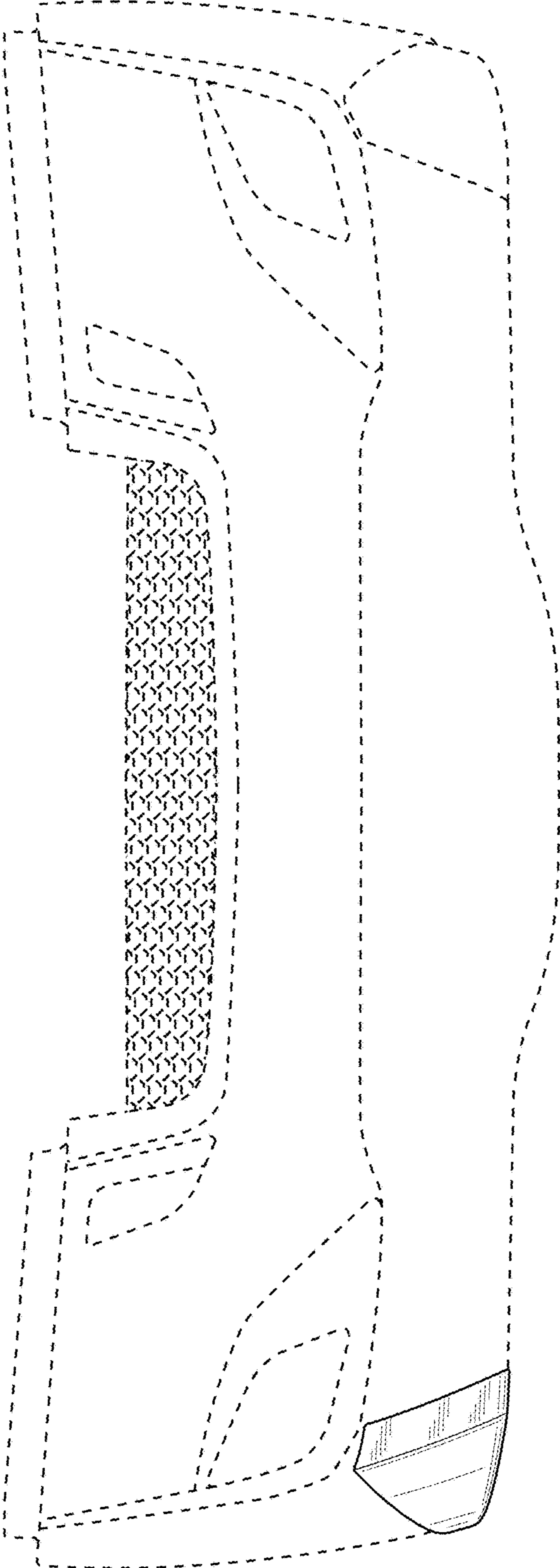
**FIG. 9**



**FIG. 10**



**FIG. 11**



**FIG. 12**