



US00D803738S

(12) **United States Design Patent** (10) **Patent No.:** **US D803,738 S**
Granlund (45) **Date of Patent:** **** Nov. 28, 2017**

- (54) **BUMPER FOR A VEHICLE**
- (71) Applicant: **CHINA-EURO VEHICLE TECHNOLOGY AKTIEBOLAG**, Gothenburg (SE)
- (72) Inventor: **Ola Granlund**, Gothenburg (SE)
- (73) Assignee: **CHINA-EURO VEHICLE TECHNOLOGY**, Gothenburg (SE)
- (**) Term: **15 Years**
- (21) Appl. No.: **29/577,980**
- (22) Filed: **Sep. 16, 2016**
- (30) **Foreign Application Priority Data**
 Mar. 18, 2016 (EM) DM/092114
- (51) **LOC (10) Cl.** **12-16**
- (52) **U.S. Cl.**
 USPC **D12/169**
- (58) **Field of Classification Search**
 USPC D12/169, 216, 90-92, 86, 171, 196, 163;
 293/102, 113, 115, 117, 120; 296/180.1,
 296/180.2
 CPC B60R 19/02; B60R 19/04; B62D 25/08
 See application file for complete search history.
- (56) **References Cited**
 U.S. PATENT DOCUMENTS
- | | | | | | |
|------------|---|---------|-----------|-------|---------|
| D725,011 S | * | 3/2015 | Kobayashi | | D12/169 |
| D725,012 S | * | 3/2015 | Murase | | D12/169 |
| D773,349 S | * | 12/2016 | Munakata | | D12/169 |
| D773,350 S | * | 12/2016 | Lee | | D12/169 |
| D781,189 S | * | 3/2017 | Kim | | D12/169 |
| D781,190 S | * | 3/2017 | Choi | | D12/169 |

- | | | | | | |
|------------|---|--------|---------|-------|---------|
| D781,758 S | * | 3/2017 | Kim | | D12/169 |
| D784,216 S | * | 4/2017 | Fuchino | | D12/169 |
| D787,990 S | * | 5/2017 | Kozub | | D12/169 |

* cited by examiner

Primary Examiner — Melody N Brown
 (74) *Attorney, Agent, or Firm* — Lee & Hayes, PLLC

(57) **CLAIM**

The ornamental design for a bumper for a vehicle, as shown and described.

DESCRIPTION

The patent or patent application file contains at least one drawing executed in color. Copies of this patent or patent application publication with color drawing(s) will be provided by the Office upon request and payment of the necessary fee.

FIG. 1 is a front perspective view of a bumper for a vehicle showing my new design;

FIG. 2 is a rear elevational view thereof;

FIG. 3 is a right side elevational view thereof;

FIG. 4 is a front elevational view thereof;

FIG. 5 is a left side elevational view thereof;

FIG. 6 is a top plan view thereof; and,

FIG. 7 is a bottom plan view thereof.

The color shown on the claimed design forms no part thereof.

The Applicant reserves the right to convert individual and various combinations of solid lines to broken lines in one or more continuation applications, since the figures convey that the inventors had possession of the features shown in solid lines, individually and in various combinations, as of the date of filing. Furthermore, Applicant reserves the right to convert the originally filed color figures to black and white line figures with appropriate shading and contour lines without the black and white line figures being considered new matter.

1 Claim, 7 Drawing Sheets
(7 of 7 Drawing Sheet(s) Filed in Color)

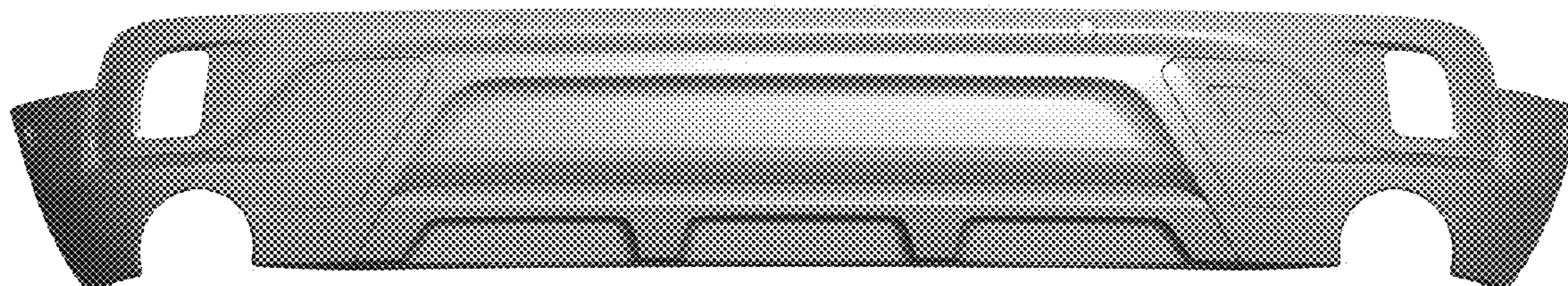




FIG. 1

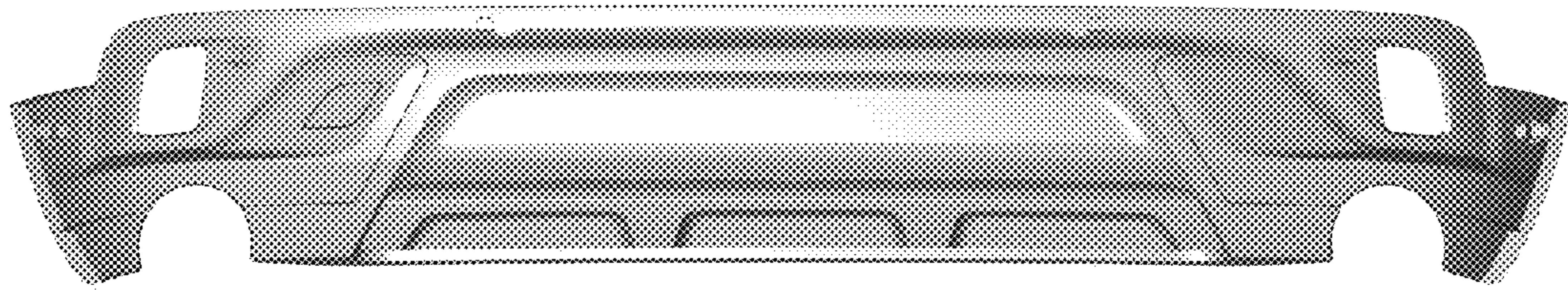


FIG. 2

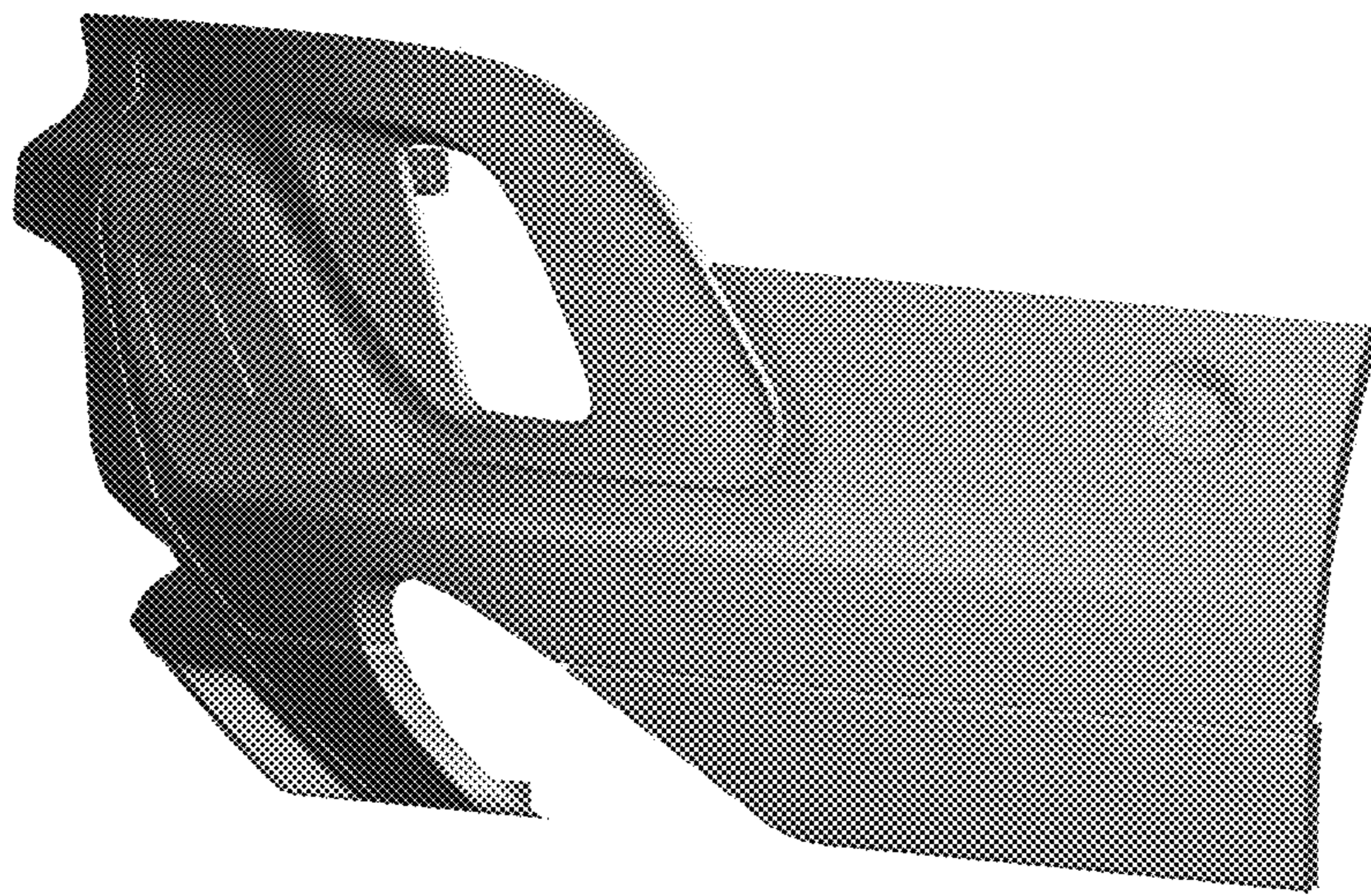


FIG. 3

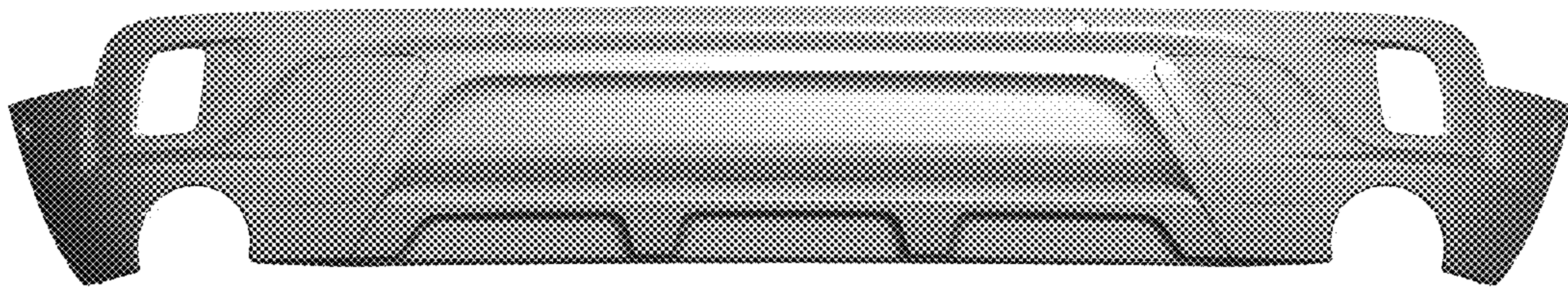


FIG. 4

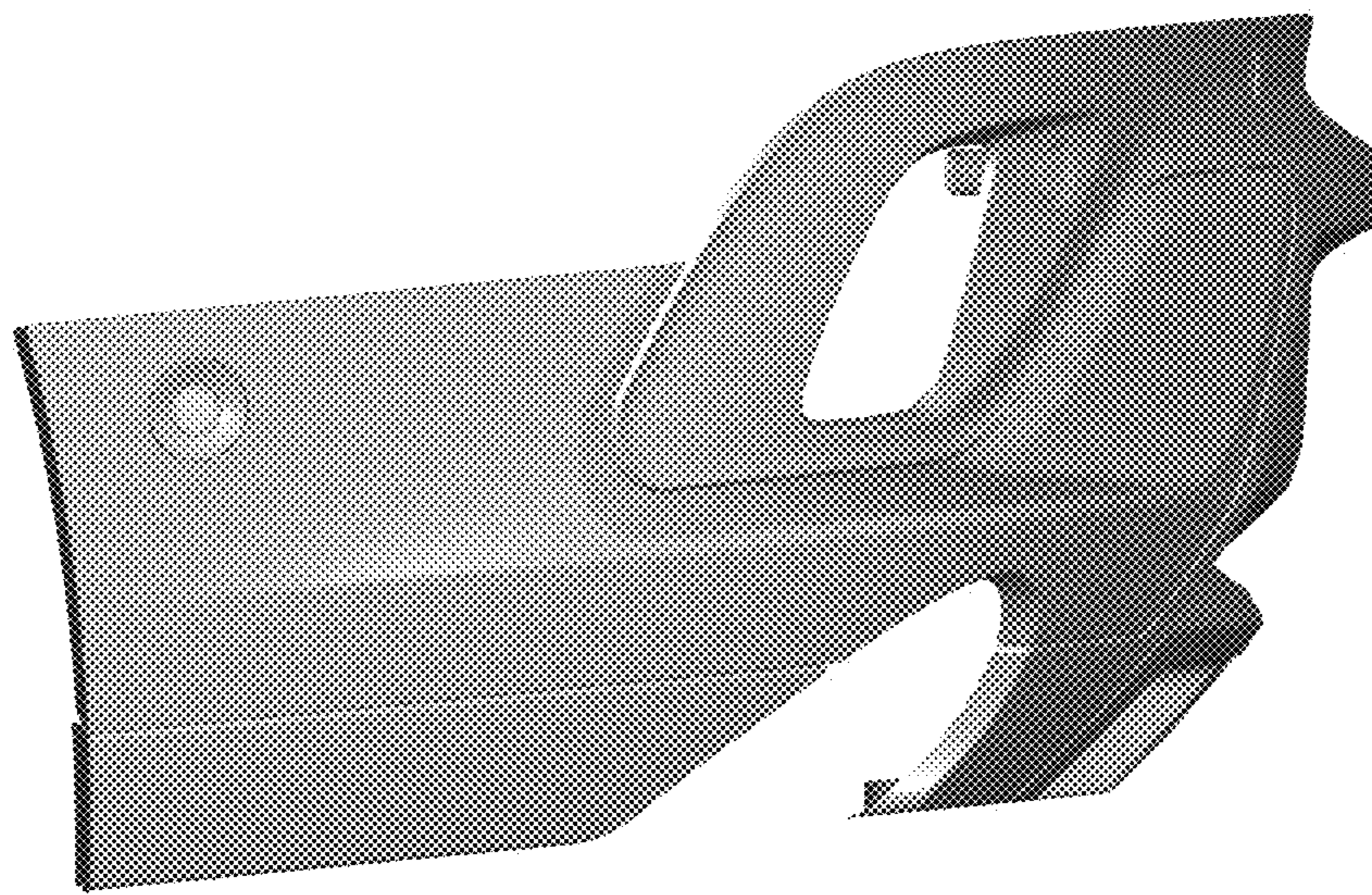


FIG. 5

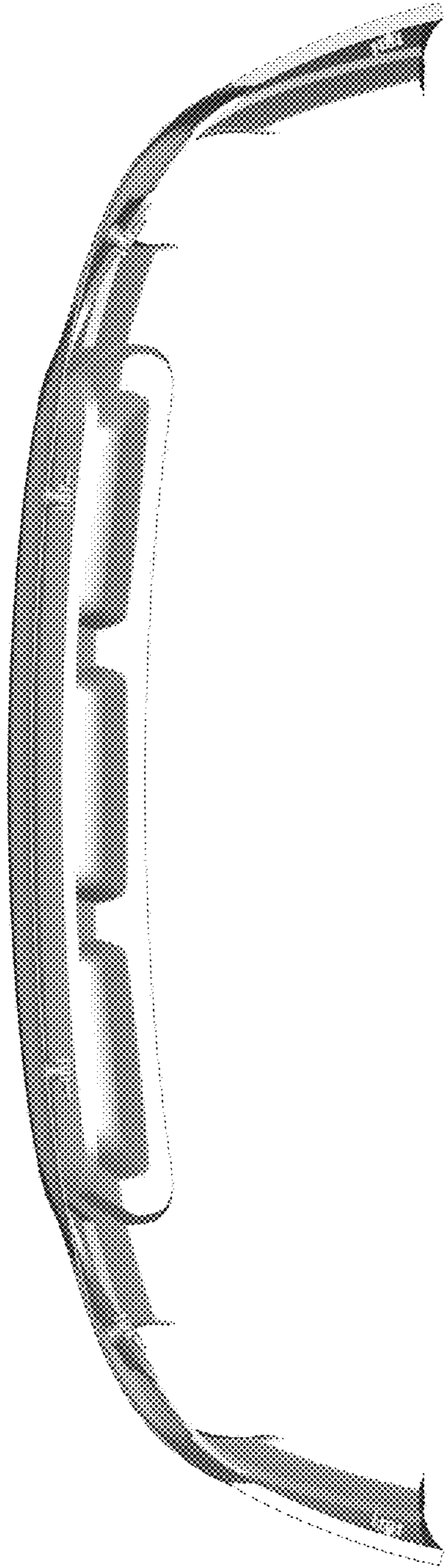


FIG. 6

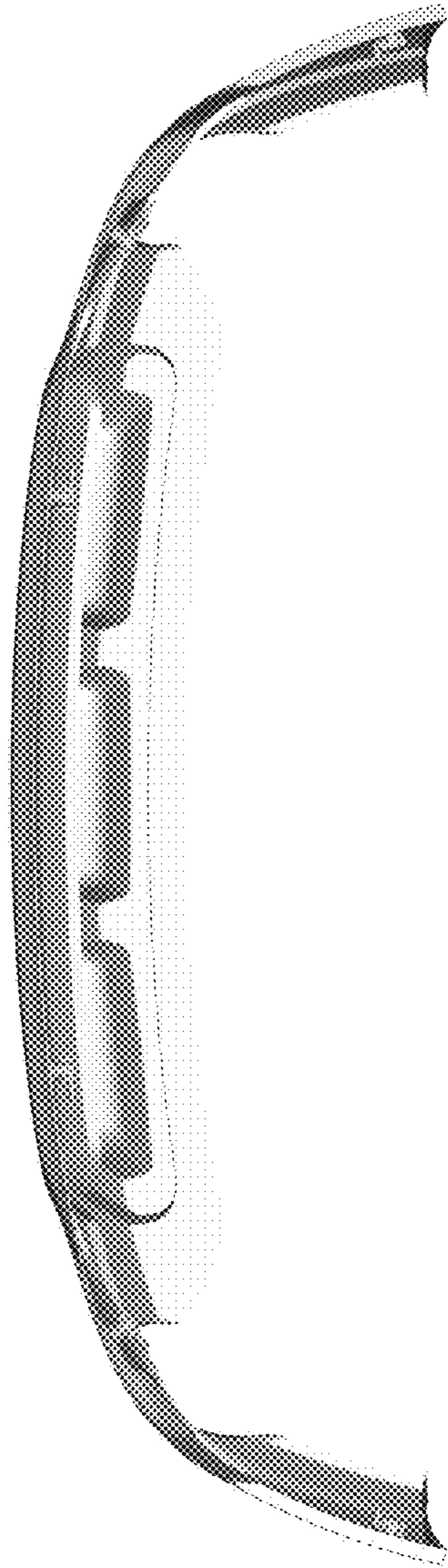


FIG. 7