

US00D803732S

(12) **United States Design Patent** (10) **Patent No.:** **US D803,732 S**
Yang (45) **Date of Patent:** **** Nov. 28, 2017**

(54) **RADIATOR GRILLE OF CAR**
(71) Applicant: **GM GLOBAL TECHNOLOGY OPERATIONS LLC**, Detroit, MI (US)
(72) Inventor: **Eunsuk Yang**, Incheon (KR)
(73) Assignee: **GM GLOBAL TECHNOLOGY OPERATIONS LLC**, Detroit, MI (US)
(**) Term: **15 Years**
(21) Appl. No.: **29/578,050**
(22) Filed: **Sep. 19, 2016**
(30) **Foreign Application Priority Data**

D634,675 S * 3/2011 Lamm D12/163
D664,480 S * 7/2012 Platto D12/163
D674,326 S * 1/2013 Svensson D12/163
D680,920 S * 4/2013 Jara D12/163
D685,689 S * 7/2013 Svensson D12/163
D698,705 S * 2/2014 Rupar D12/163
D701,797 S * 4/2014 Campbell D12/163
D703,589 S * 4/2014 Campbell D12/163
D715,705 S * 10/2014 Cambell D12/163
D716,197 S * 10/2014 Terui D12/163
D723,433 S * 3/2015 George D12/163
D725,004 S * 3/2015 Kobayashi D12/163
D742,288 S * 11/2015 Murase D12/163
D790,409 S * 6/2017 Baste D12/163
D790,411 S * 6/2017 Labanowicz D12/163
D793,291 S * 8/2017 Rudwal D12/107
2008/0073920 A1 * 3/2008 Knauer B60K 11/085
293/115
2010/0015434 A1 * 1/2010 Iwata C08G 18/6216
428/327

Mar. 18, 2016 (KR) 30-2016-0012839

* cited by examiner

(51) **LOC (10) Cl.** **12-16**
(52) **U.S. Cl.**
USPC **D12/163**
(58) **Field of Classification Search**
USPC D12/86, 90, 91, 92, 163, 169, 196, 171,
D12/216; D15/31
CPC . B60R 19/52; B60R 2019/525; B60K 11/085;
B62D 25/084; H01Q 1/32
See application file for complete search history.

Primary Examiner — Darlington Ly
(74) *Attorney, Agent, or Firm* — Browdy and Neimark, PLLC

(57) **CLAIM**

The ornamental design for a radiator grille of car, as shown.

DESCRIPTION

FIG. 1 is a front perspective view of a radiator grille of car showing my new design;
FIG. 2 is a front elevation view thereof;
FIG. 3 is a rear elevation view thereof;
FIG. 4 is a left-side elevation view thereof;
FIG. 5 is a right-side elevation view thereof;
FIG. 6 is a top plan view thereof;
FIG. 7 is a bottom plan view thereof; and,
FIG. 8 is a rear perspective view thereof.

1 Claim, 8 Drawing Sheets

(56) **References Cited**

U.S. PATENT DOCUMENTS

D527,317 S * 8/2006 Karikomi D12/163
D539,195 S * 3/2007 Shimoguchi D12/163
D598,334 S * 8/2009 Giachin D12/163
D598,336 S * 8/2009 George D12/163
D602,409 S * 10/2009 Lamm D12/163
D603,304 S * 11/2009 Lamm D12/163
D603,305 S * 11/2009 Woolley D12/163
D605,988 S * 12/2009 Bennett D12/163
D608,256 S * 1/2010 Roller D12/163

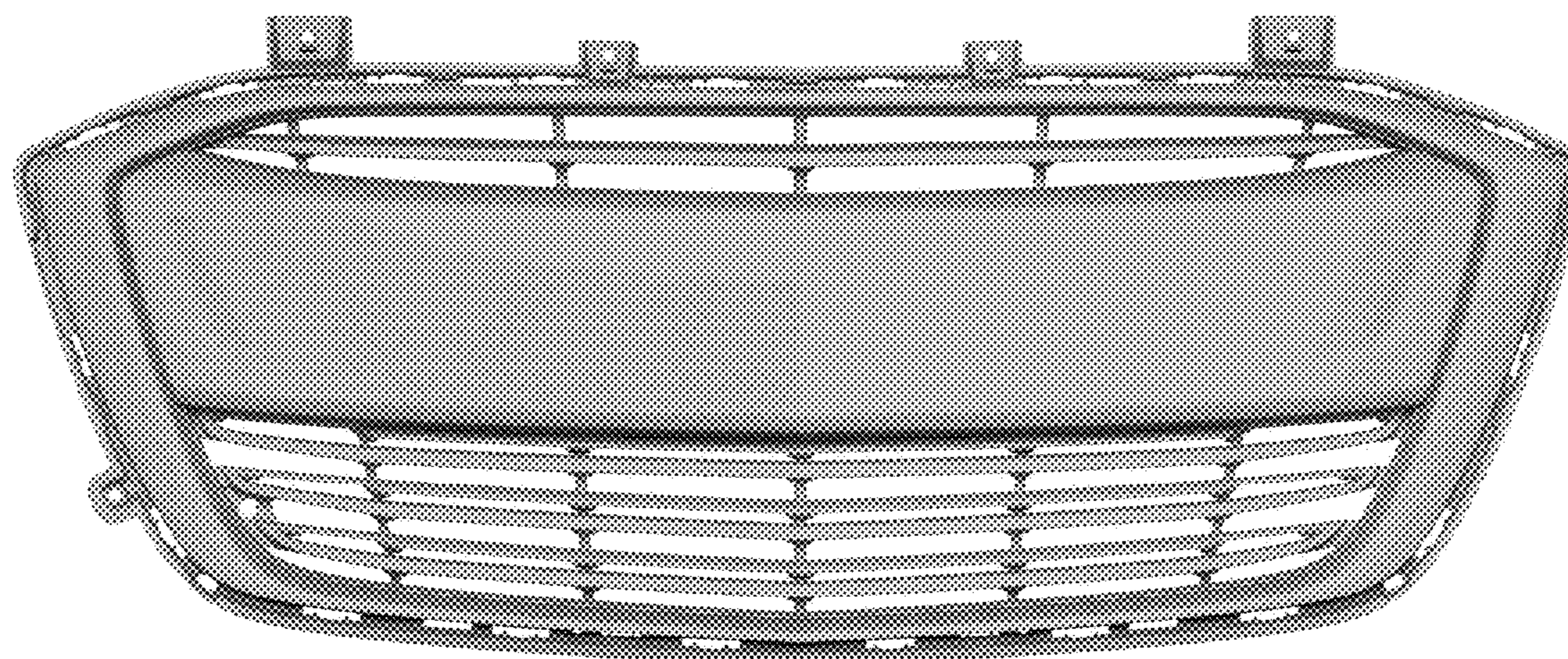


FIG. 1

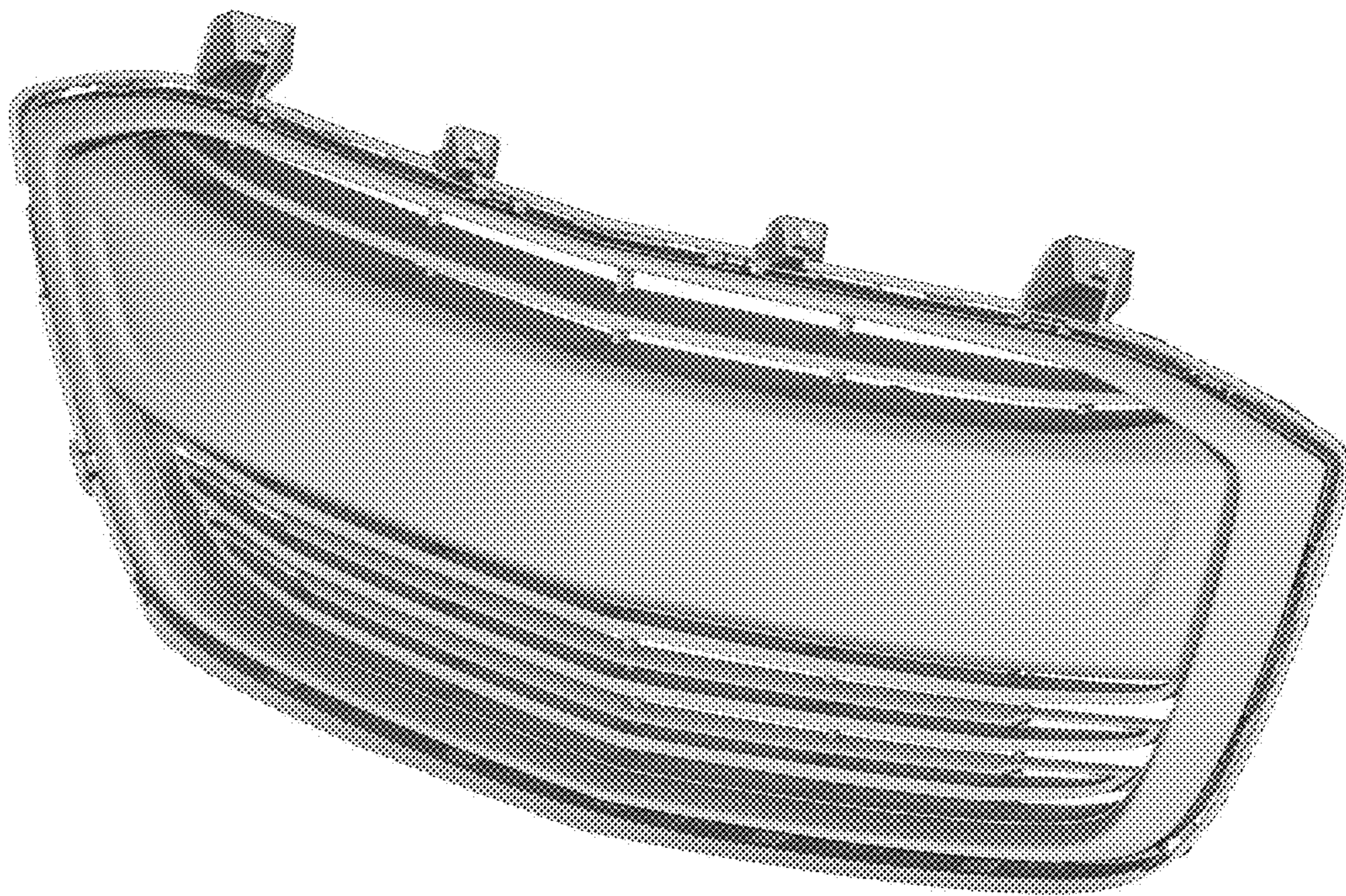


FIG. 2

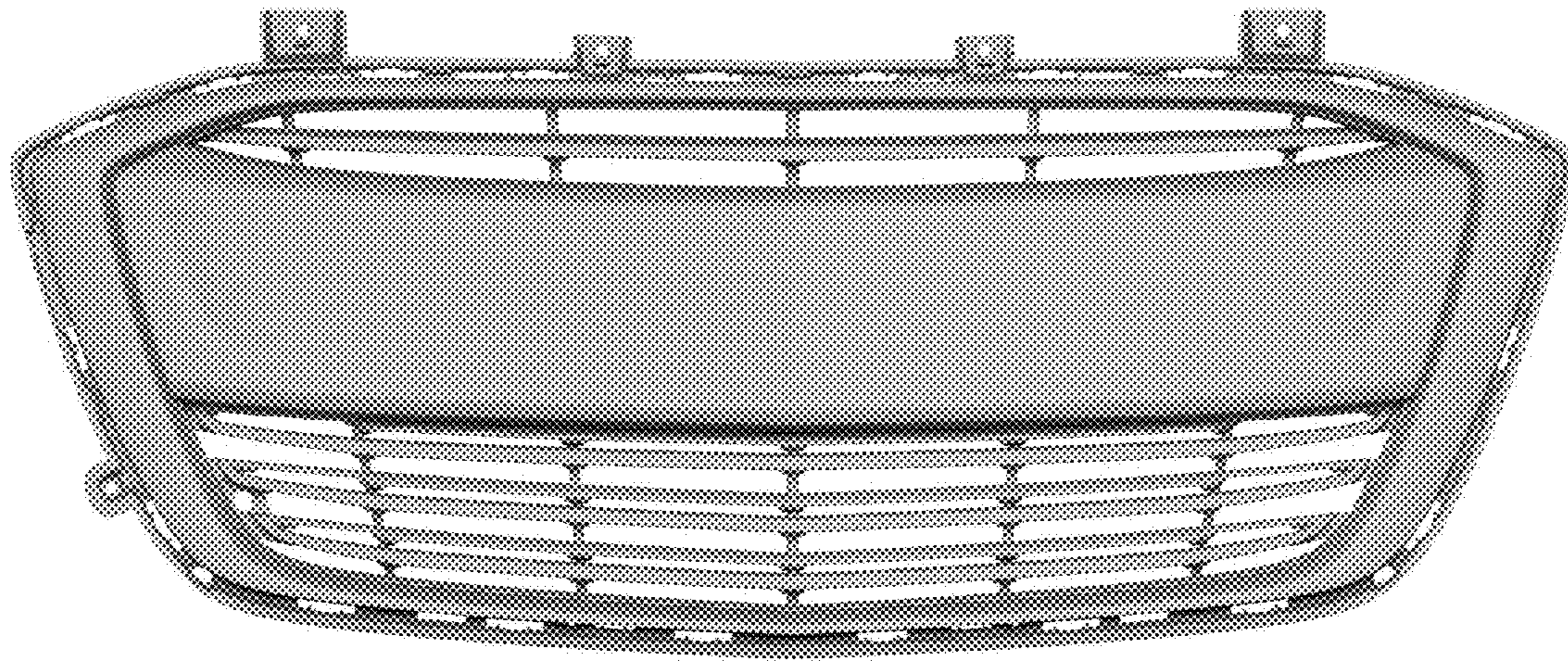


FIG. 3

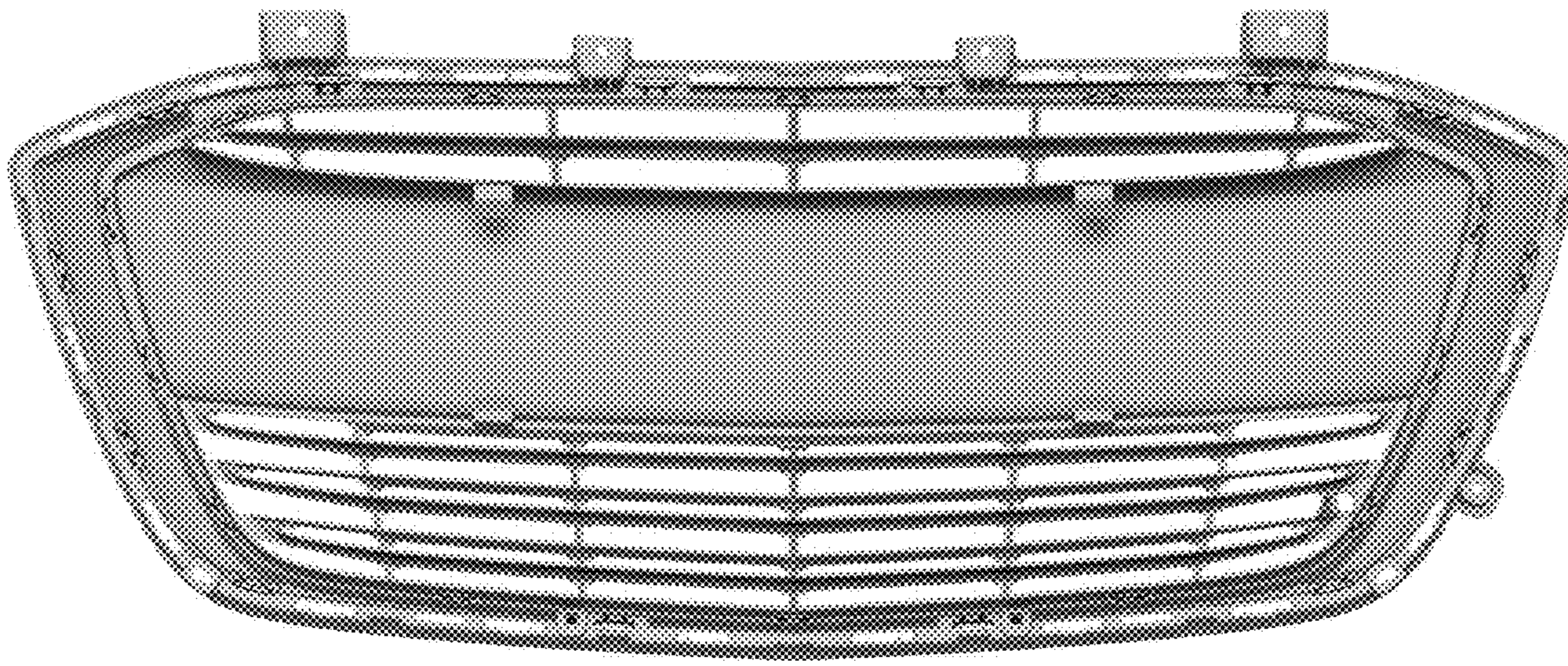


FIG. 4

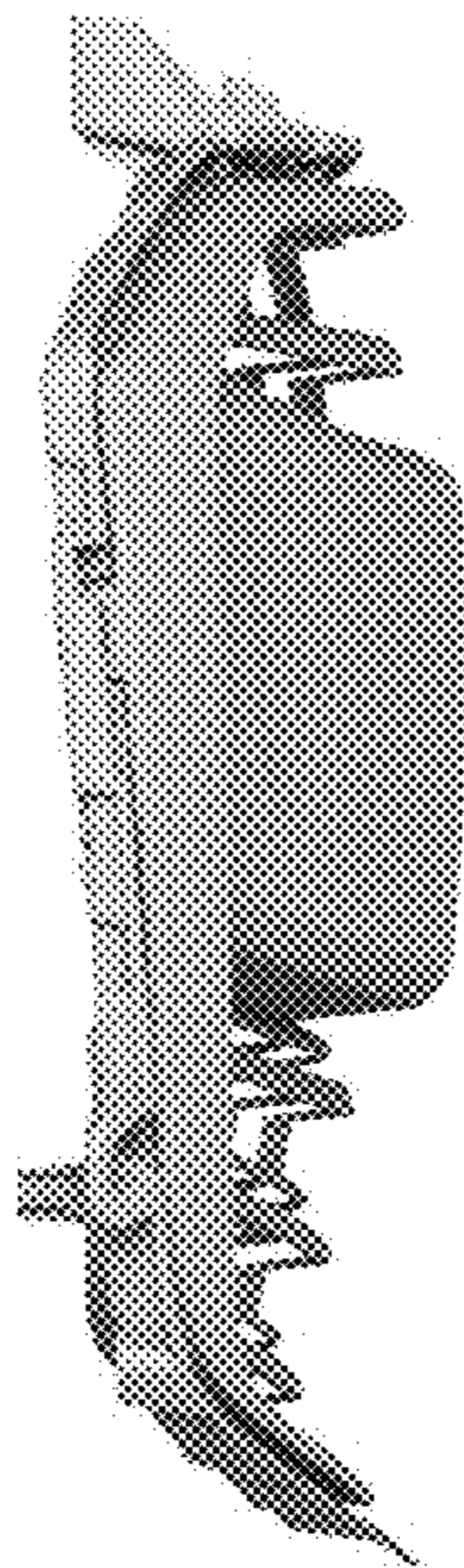


FIG. 5

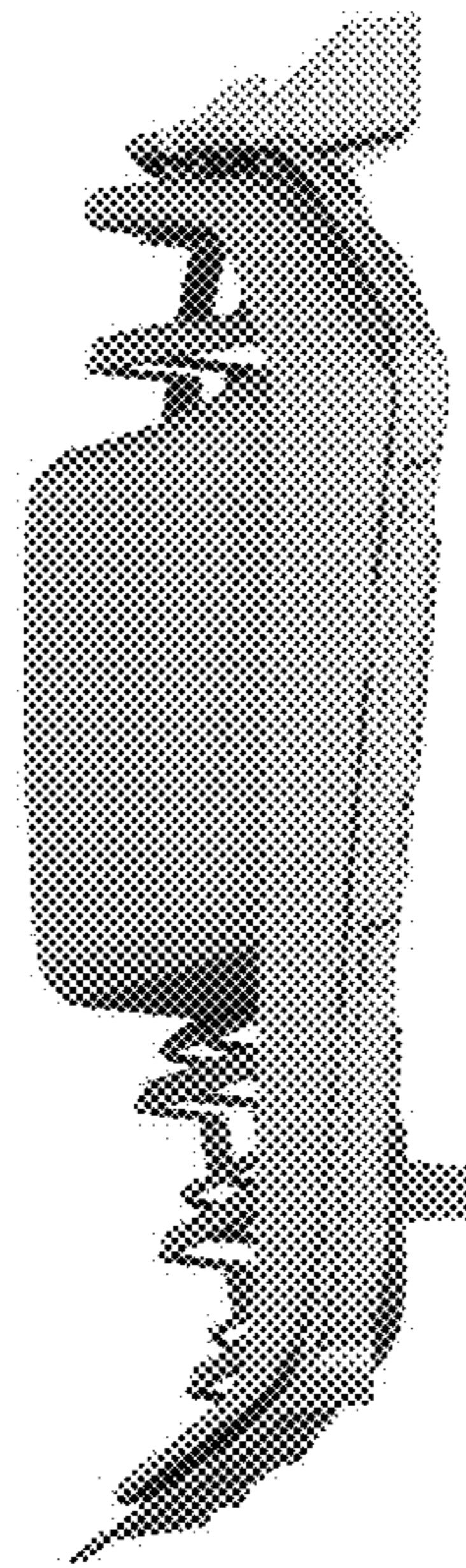


FIG. 6

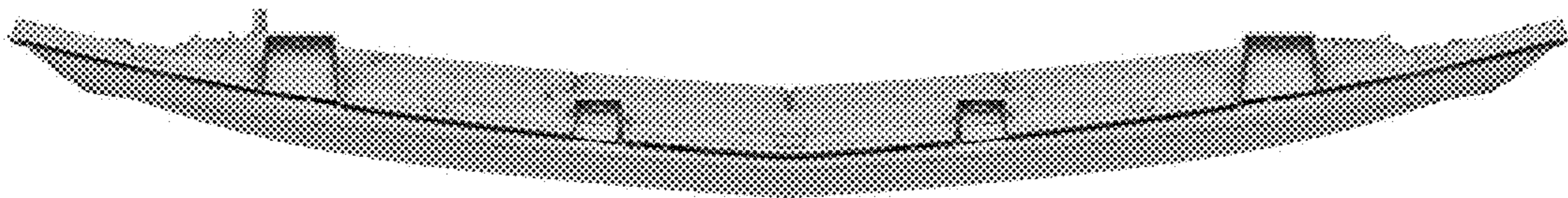


FIG. 7



FIG. 8

