



US00D803730S

(12) **United States Design Patent**  
**Ito et al.**

(10) **Patent No.:** **US D803,730 S**

(45) **Date of Patent:** **\*\* Nov. 28, 2017**

- (54) **GRILLE FOR A TRUCK VEHICLE**
- (71) Applicant: **International Truck Intellectual Property Company, LLC**, Lisle, IL (US)
- (72) Inventors: **Chris Isamu Ito**, Sugar Grove, IL (US); **Glen Joel Durmisevich**, Rochester Hills, MI (US); **Christian Michael Hardin**, Waterford, MI (US); **James L. Smith, Jr.**, Batavia, IL (US); **Curtis L. Wilson**, Melbourne Beach, FL (US)
- (73) Assignee: **International Truck Intellectual Property Company, LLC**, Lisle, IL (US)
- (\*\*) Term: **15 Years**

5,193,636	A *	3/1993	Holm	.....	B60K 11/08
					180/68.1
5,452,931	A *	9/1995	Chase	.....	B60K 11/08
					180/68.6
5,482,336	A *	1/1996	Rouse	.....	B60R 19/52
					180/68.5
D400,836	S	11/1998	Reynard et al.		
6,027,150	A *	2/2000	Flewitt	.....	B60K 11/08
					180/68.6
6,167,645	B1 *	1/2001	Gasko	.....	B60R 13/105
					293/115
D447,099	S	8/2001	Tirey et al.		
D452,464	S	12/2001	Beigel		
D455,381	S	4/2002	Maher et al.		
D500,268	S *	12/2004	Otto	.....	D12/163
D522,936	S	6/2006	Beigel et al.		
D557,183	S	12/2007	Beigel et al.		
D558,102	S *	12/2007	Lau	.....	D12/163
D566,015	S	4/2008	Beigel et al.		
D580,308	S *	11/2008	Ebel	.....	D12/163
D592,561	S	5/2009	Otto et al.		
D596,998	S *	7/2009	Hasui	.....	D12/163

(Continued)

- (21) Appl. No.: **29/567,378**
- (22) Filed: **Jun. 8, 2016**
- (51) **LOC (10) Cl.** ..... **12-16**
- (52) **U.S. Cl.**  
USPC ..... **D12/163**
- (58) **Field of Classification Search**  
USPC ..... D12/86, 91, 93, 96, 163, 164, 165, 166,  
D12/167, 169, 171, 172, 173, 190, 216  
CPC ..... B62D 25/08; B62B 9/16; B60K 11/08;  
B60R 19/52  
See application file for complete search history.

*Primary Examiner* — Manpreet S Matharu  
*Assistant Examiner* — Suzanne E Tisdell  
 (74) *Attorney, Agent, or Firm* — Jeffrey P. Calfa; Mark C. Bach

(57) **CLAIM**

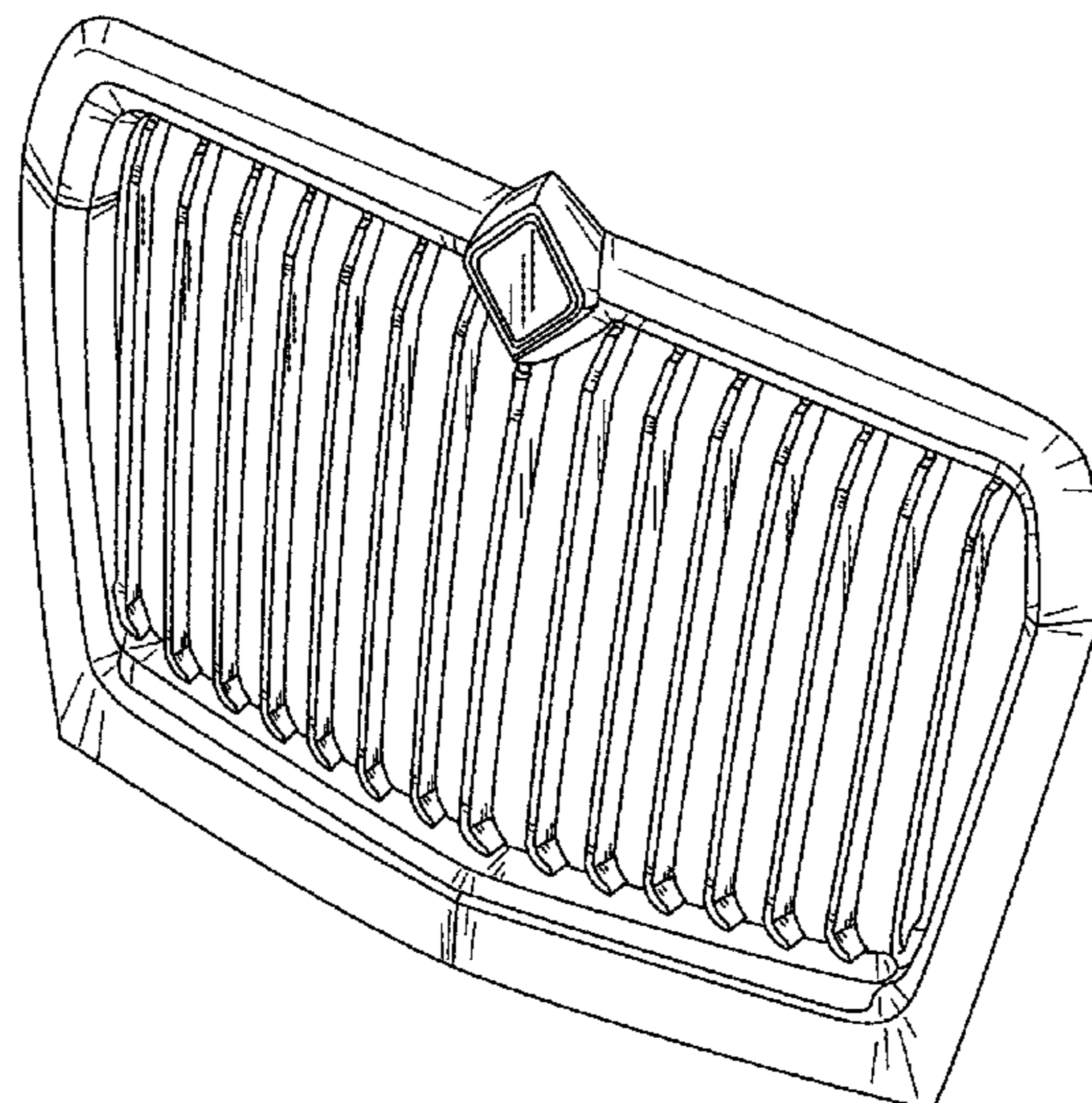
The ornamental design for a truck grille, as shown and described.

**DESCRIPTION**

FIG. 1 is a perspective view of the truck grille showing my/our new design;  
 FIG. 2 is a top plan view of the truck grille of FIG. 1;  
 FIG. 3 is a bottom view of the truck grille of FIG. 1;  
 FIG. 4 is a front view of the truck grille of FIG. 1;  
 FIG. 5 is a rear view of the truck grille of FIG. 1;  
 FIG. 6 is a left side view of the truck grille of FIG. 1; and,  
 FIG. 7 is a right side view of the truck grille of FIG. 1.

**1 Claim, 3 Drawing Sheets**

- (56) **References Cited**  
U.S. PATENT DOCUMENTS
- 2,537,553 A \* 1/1951 Schonauer ..... B60R 19/52  
180/68.6
- 4,168,855 A \* 9/1979 Koch ..... B60R 19/52  
293/115



(56)

**References Cited**

## U.S. PATENT DOCUMENTS

D605,992	S	*	12/2009	Leng	.....	D12/173
D610,053	S	*	2/2010	Sakae	.....	D12/163
D612,776	S		3/2010	Beigel et al.		
D619,054	S		7/2010	Beigel et al.		
D637,530	S		5/2011	Aris et al.		
D640,956	S	*	7/2011	Leahy	.....	D12/163
D645,797	S		9/2011	Beigel et al.		
D661,231	S	*	6/2012	Galante	.....	D12/163
D683,668	S	*	6/2013	Thurber	.....	D12/163
D686,543	S	*	7/2013	Weil	.....	D12/163
D691,072	S	*	10/2013	Cheng	.....	D12/163
D698,288	S		1/2014	Riggs et al.		
D708,992	S		7/2014	Ito et al.		
D726,601	S	*	4/2015	Duff	.....	D12/163
D730,786	S	*	6/2015	Duff	.....	D12/163
D746,730	S	*	1/2016	Kim	.....	D12/163
D754,573	S	*	4/2016	Wu	.....	D12/163
D759,550	S	*	6/2016	Vena	.....	D12/163
D775,555	S	*	1/2017	Myrberg	.....	D12/163
D787,384	S	*	5/2017	Ito	.....	D12/163
D790,410	S	*	6/2017	Ito	.....	D12/163
2004/0262061	A1	*	12/2004	Bahr	.....	B60K 11/08 180/69.2
2005/0006913	A1	*	1/2005	Otte	.....	B60R 19/52 293/115
2007/0115434	A1	*	5/2007	Oba	.....	B60R 13/00 352/243
2007/0182174	A1	*	8/2007	Nakayama	.....	B60R 19/52 293/115
2013/0293104	A1	*	11/2013	Wu	.....	B60Q 1/50 315/77
2016/0229223	A1	*	8/2016	Kajitani	.....	B44C 1/1712
2016/0257193	A1	*	9/2016	Prabhudesai	.....	B60K 11/04
2017/0072888	A1	*	3/2017	Wubs	.....	B60R 19/38

\* cited by examiner

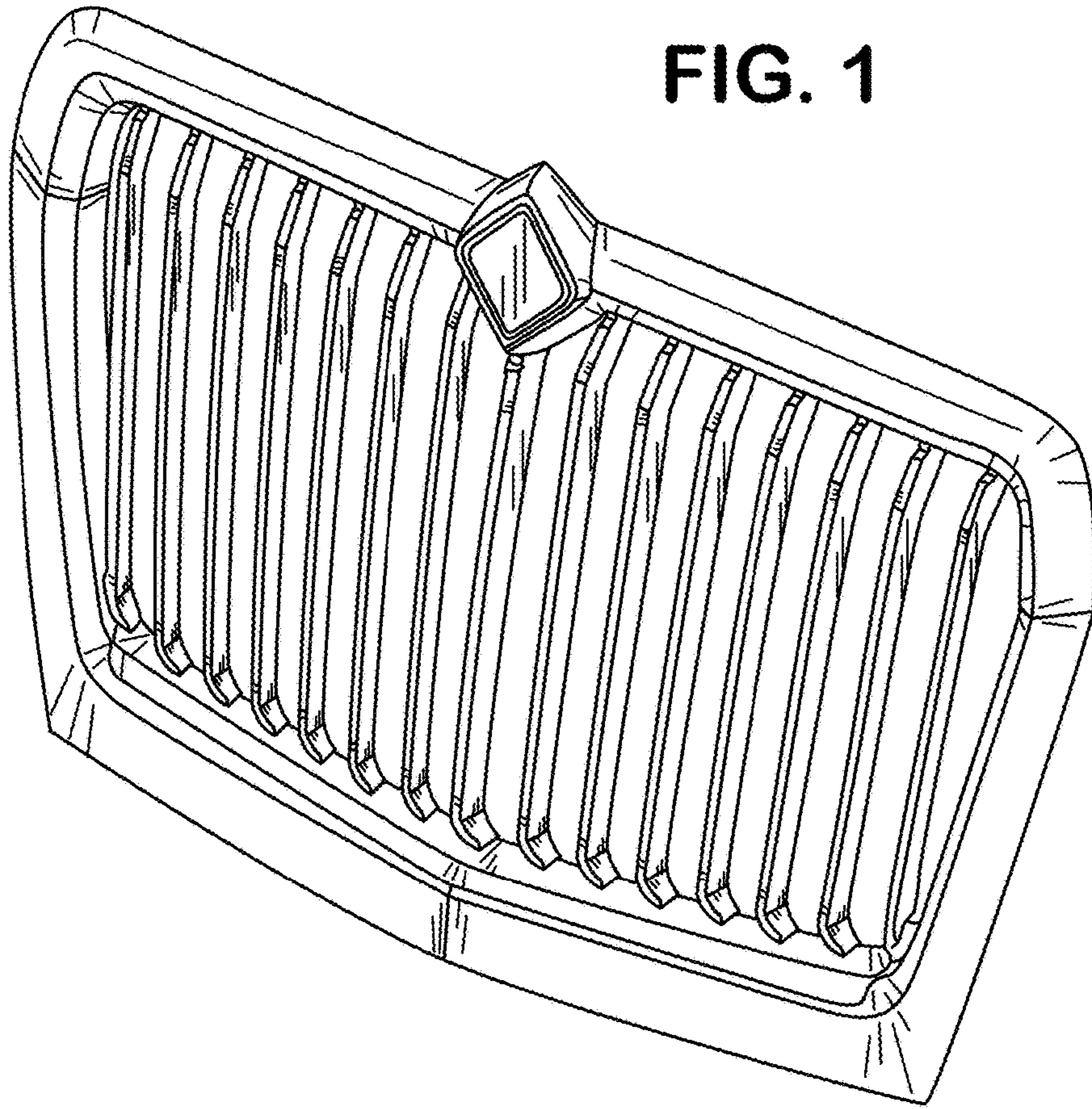


FIG. 1

FIG. 2

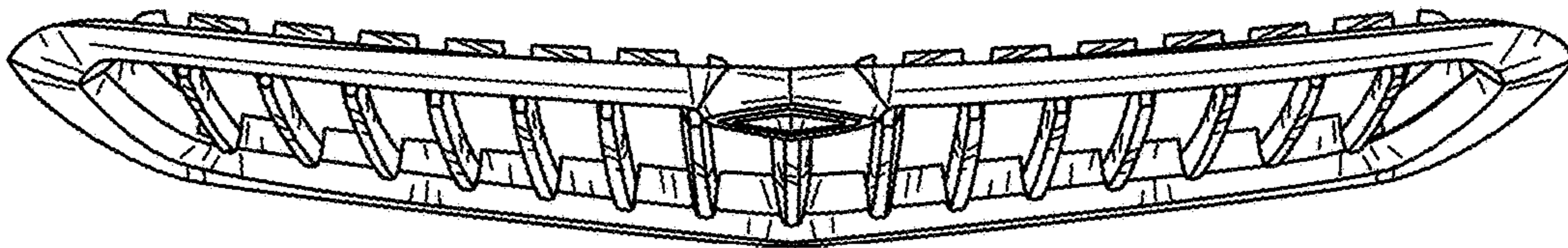


FIG. 3

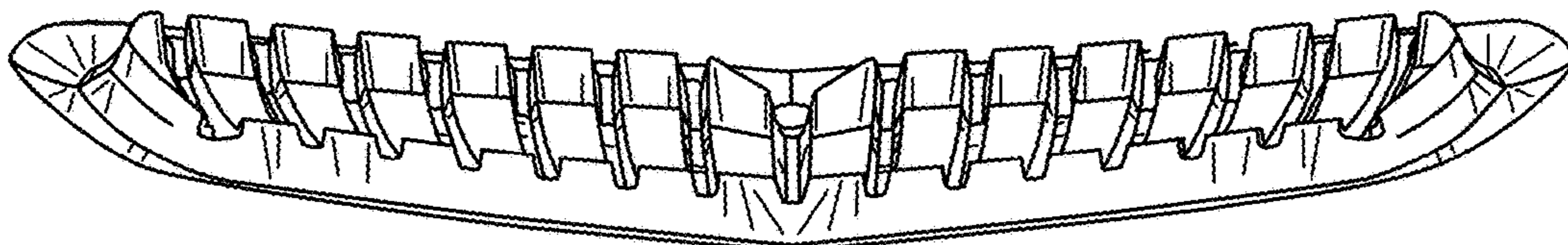




FIG. 4

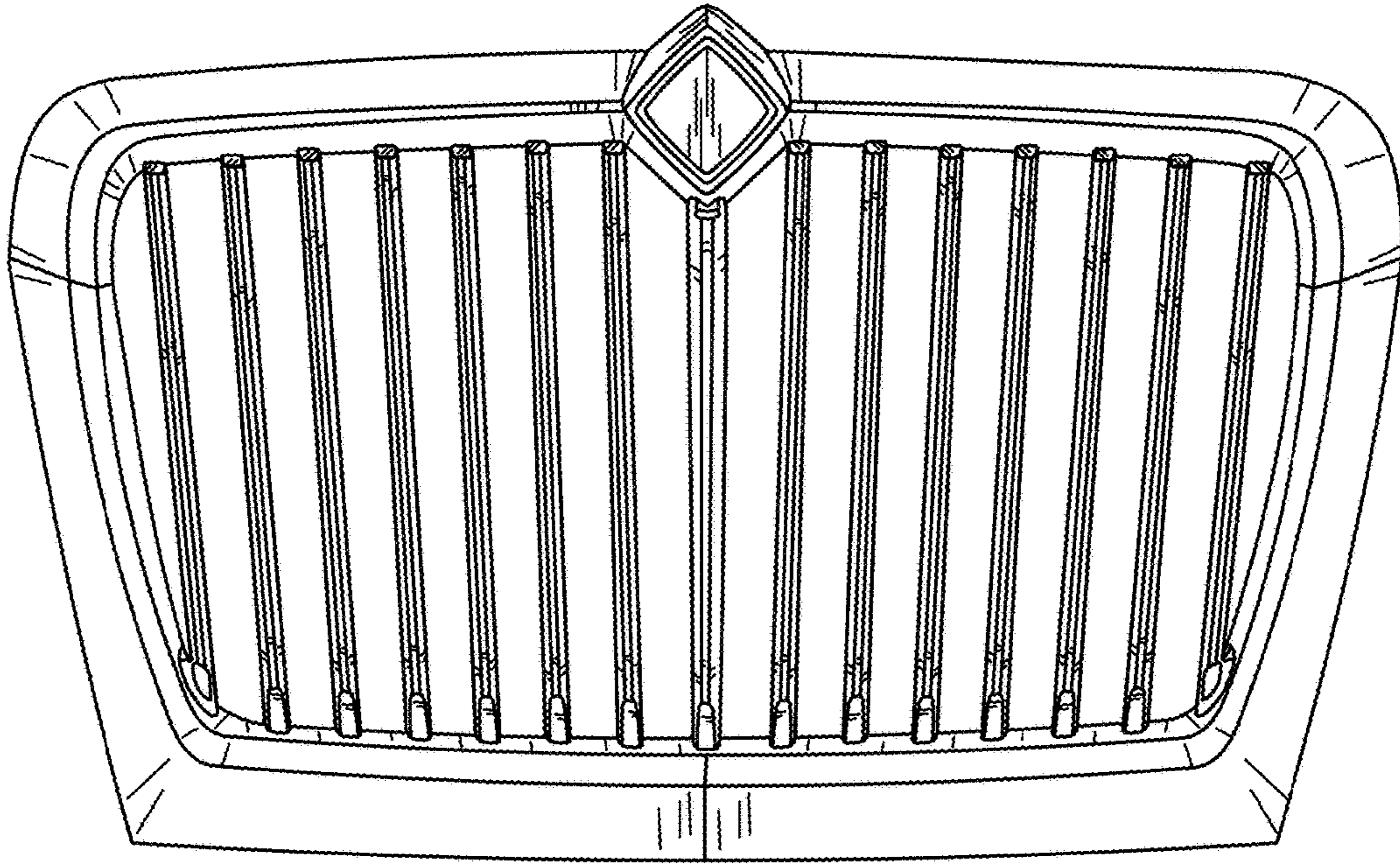
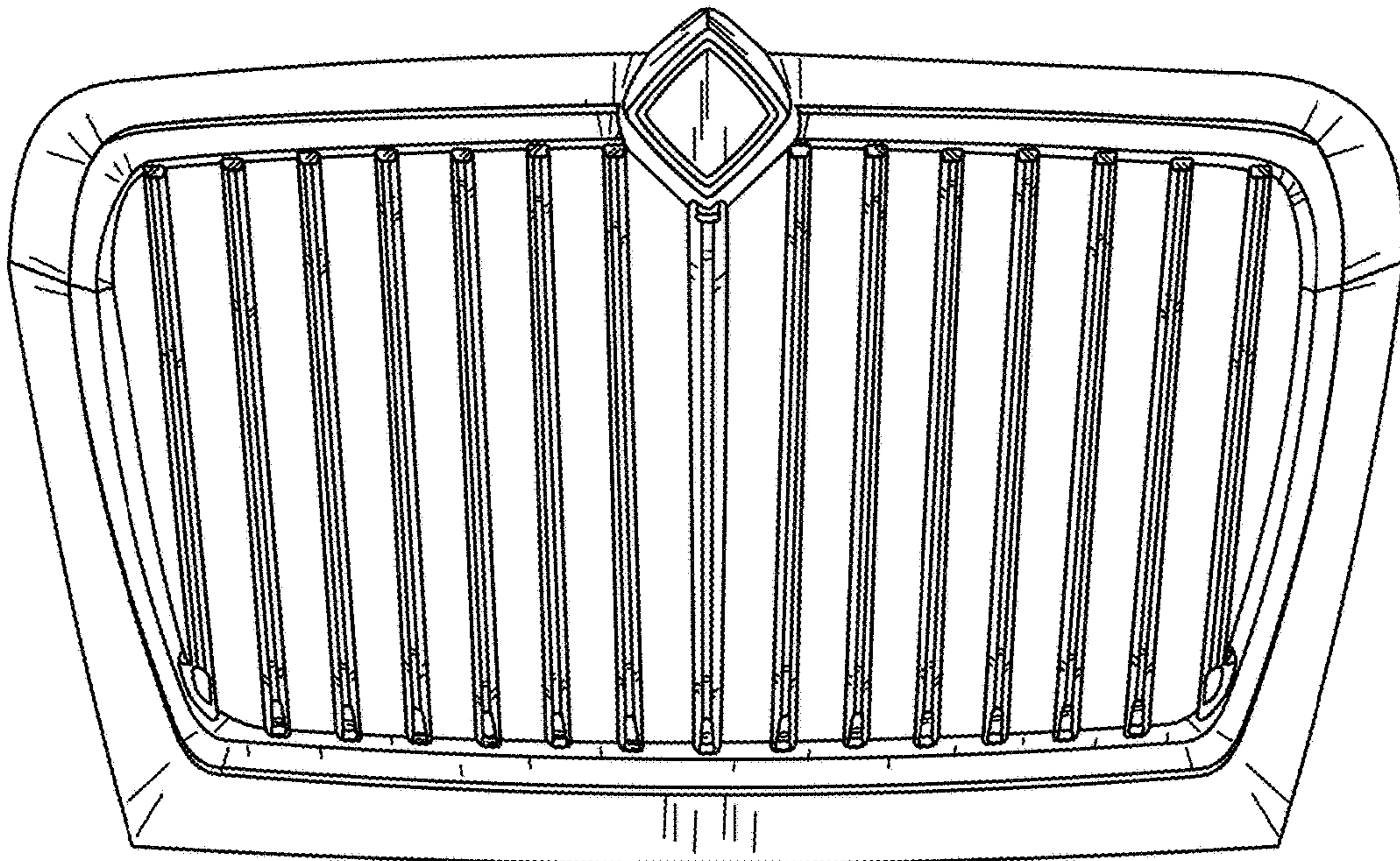


FIG. 5



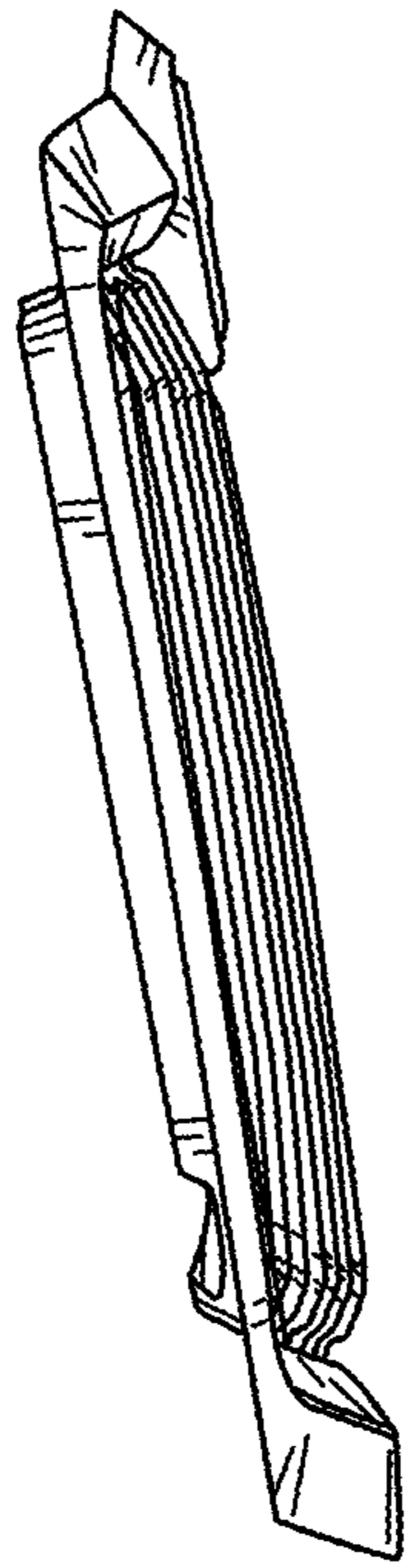


FIG. 6

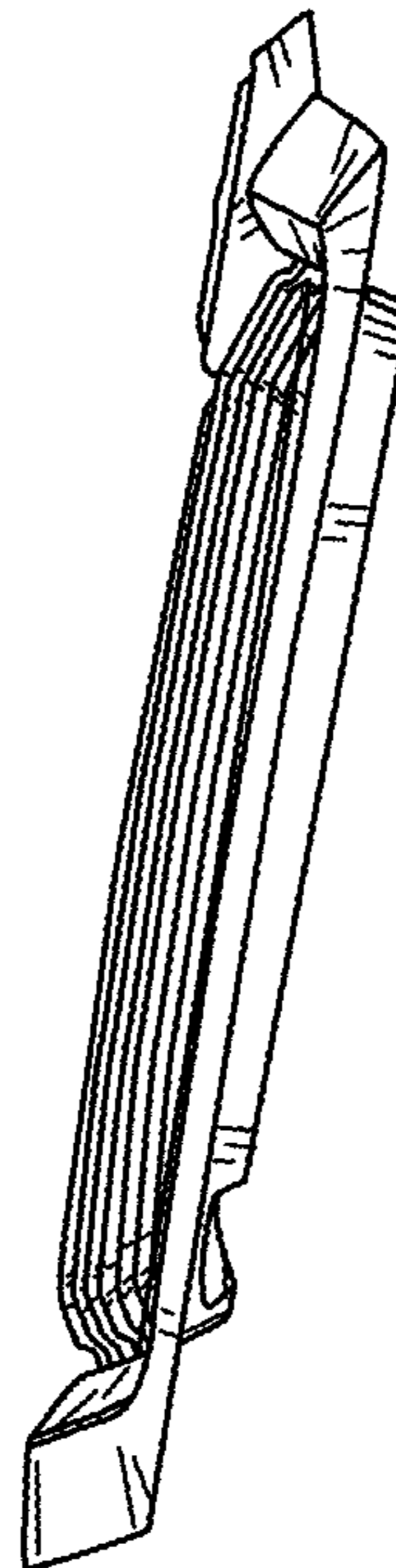


FIG. 7