



US00D803729S

(12) **United States Design Patent**  
**Franson et al.**

(10) **Patent No.:** **US D803,729 S**

(45) **Date of Patent:** **\*\* Nov. 28, 2017**

(54) **MEDICAL KNEE WALKER FRAME**

D594,792 S \* 6/2009 Shimodaira ..... D12/130  
D597,451 S \* 8/2009 Ramm ..... D12/130  
D618,140 S \* 6/2010 Sanderson ..... D12/130

(71) Applicants: **Justin Franson**, Austin, TX (US);  
**Suzanne Carr Tan Hawson**, Valencia,  
CA (US)

\* cited by examiner

(72) Inventors: **Justin Franson**, Austin, TX (US);  
**Suzanne Carr Tan Hawson**, Valencia,  
CA (US)

*Primary Examiner* — Charles Hanson

(74) *Attorney, Agent, or Firm* — Kelly & Kelley, LLP

(\*\*) Term: **15 Years**

(57) **CLAIM**

(21) Appl. No.: **29/587,876**

The ornamental design for a medical knee walker frame, as shown.

(22) Filed: **Dec. 15, 2016**

**DESCRIPTION**

(51) **LOC (10) Cl.** ..... **12-12**

(52) **U.S. Cl.**  
USPC ..... **D12/130**

(58) **Field of Classification Search**  
USPC ..... D12/128–133  
CPC ..... A61H 3/00; A61H 3/04; A61H  
2003/001–2003/007; A61H 2003/043;  
A61H 2003/046

FIG. 1 is an upper front perspective view of the medical knee walker frame;  
FIG. 2 is a lower and rear perspective view of the medical knee walker frame;  
FIG. 3 is a side elevational view of the medical knee walker frame;  
FIG. 4 is an elevational view of the opposite side of the medical knee walker frame;  
FIG. 5 is a top plan view of the medical knee walker frame;  
FIG. 6 is a bottom plan view of the medical knee walker frame;  
FIG. 7 is a front elevational view of the medical knee walker frame;  
FIG. 8 is a rear elevational view of the medical knee walker frame; and,  
FIG. 9 is a perspective view of the medical knee walker frame, shown in the environment of the complete walker. The broken line showing is included for the purpose of illustrating environment and forms no part of the claimed design.

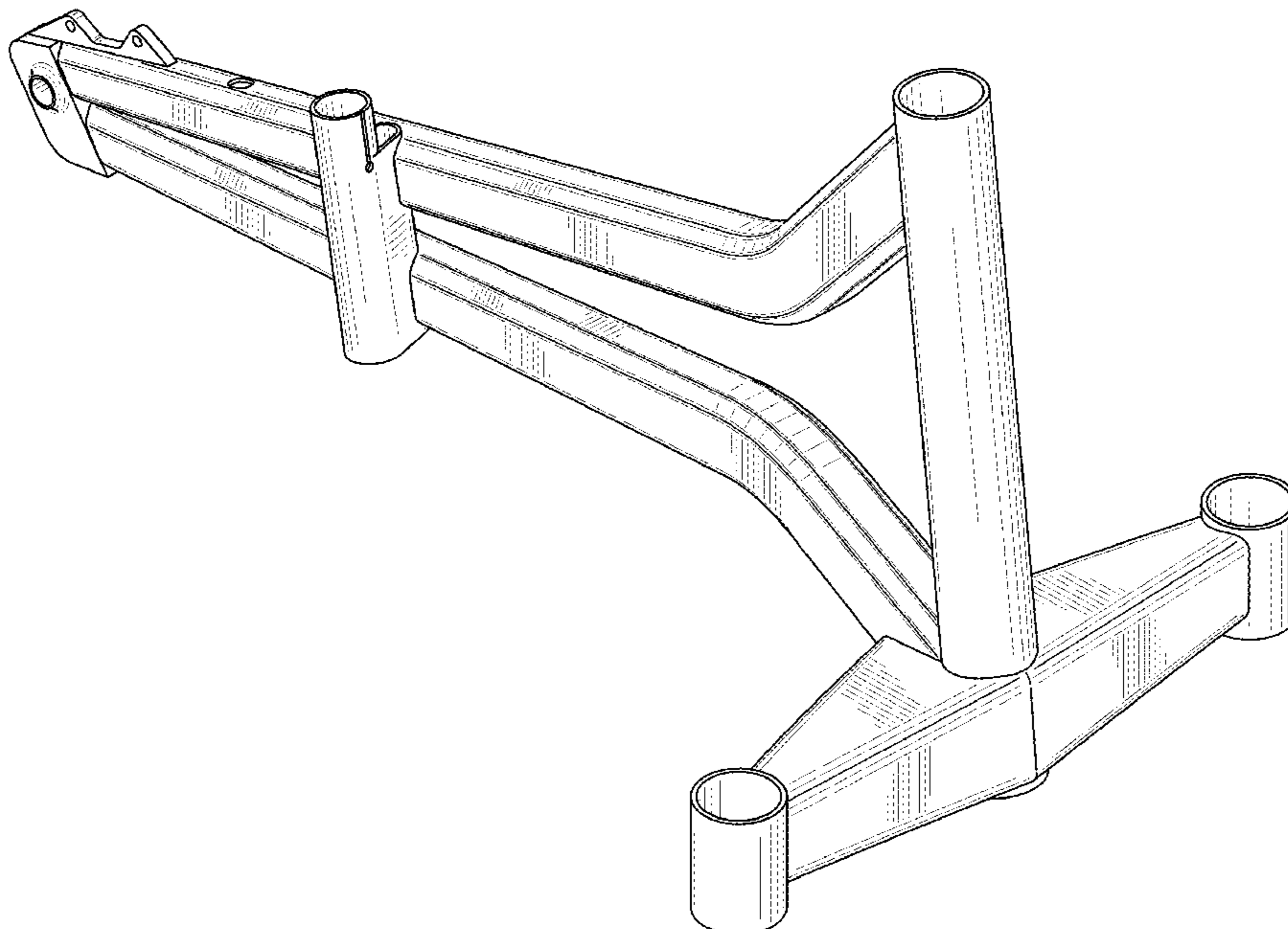
See application file for complete search history.

(56) **References Cited**

**U.S. PATENT DOCUMENTS**

4,029,329 A \* 6/1977 Chambers ..... B62K 9/02  
280/272  
D363,904 S \* 11/1995 Stone ..... D12/128  
6,848,696 B2 \* 2/2005 Miller ..... A61H 3/04  
135/67  
D517,455 S \* 3/2006 Allen ..... D12/130  
7,287,767 B1 \* 10/2007 Gomes ..... B62K 3/16  
280/87.021  
7,311,319 B1 \* 12/2007 Ortega ..... A61H 3/04  
280/87.021  
D589,410 S \* 3/2009 Ramm ..... D12/130

**1 Claim, 9 Drawing Sheets**



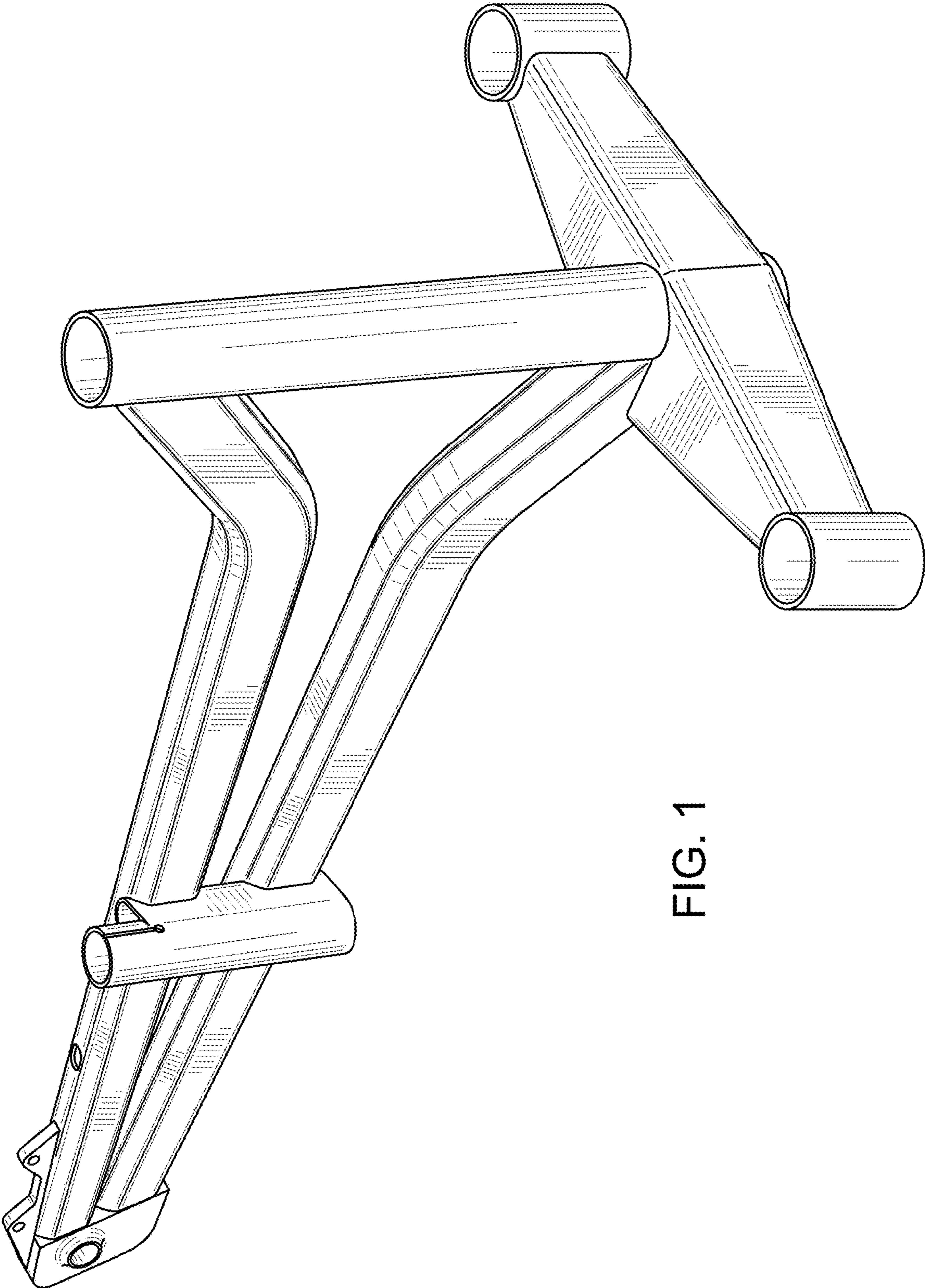


FIG. 1



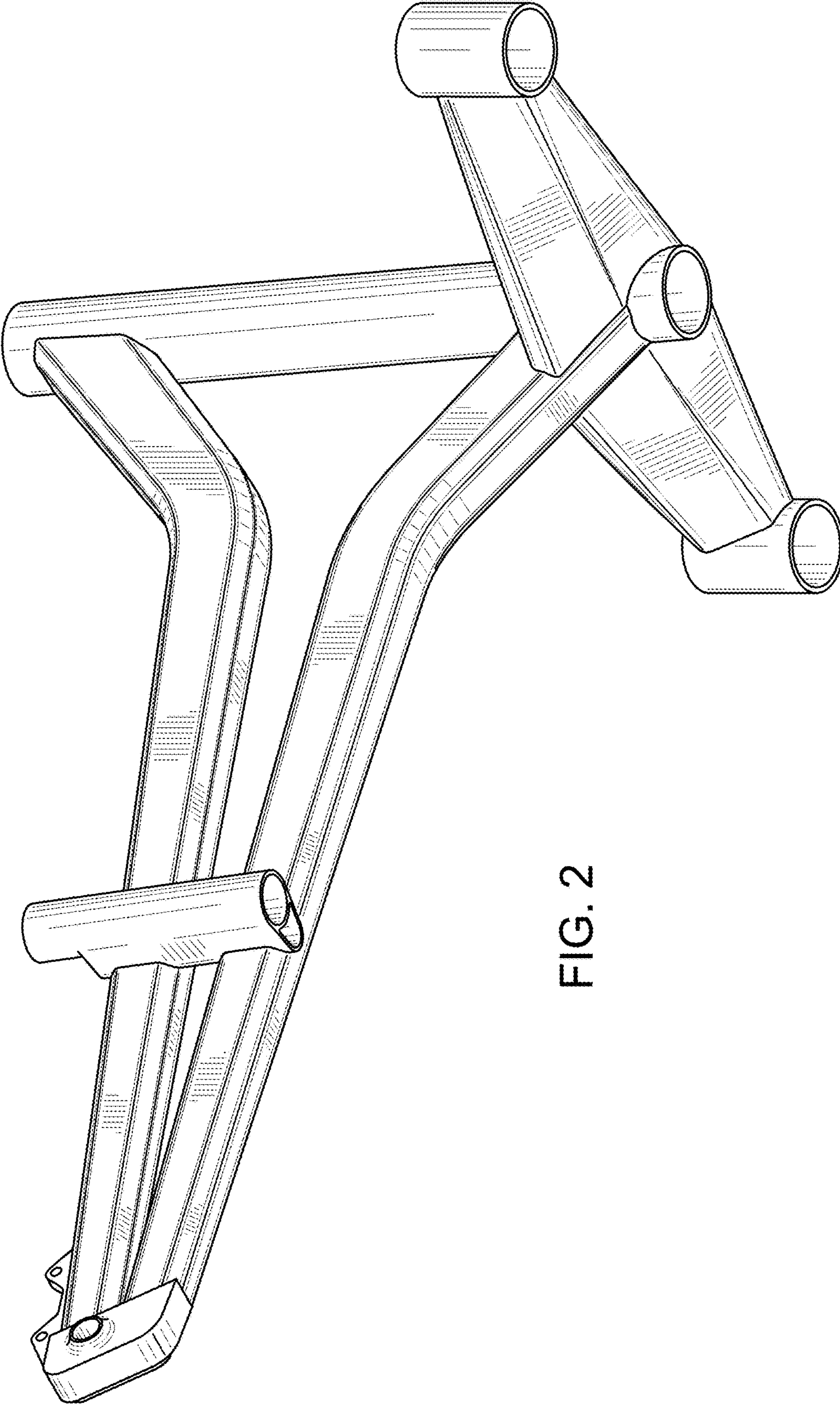


FIG. 2

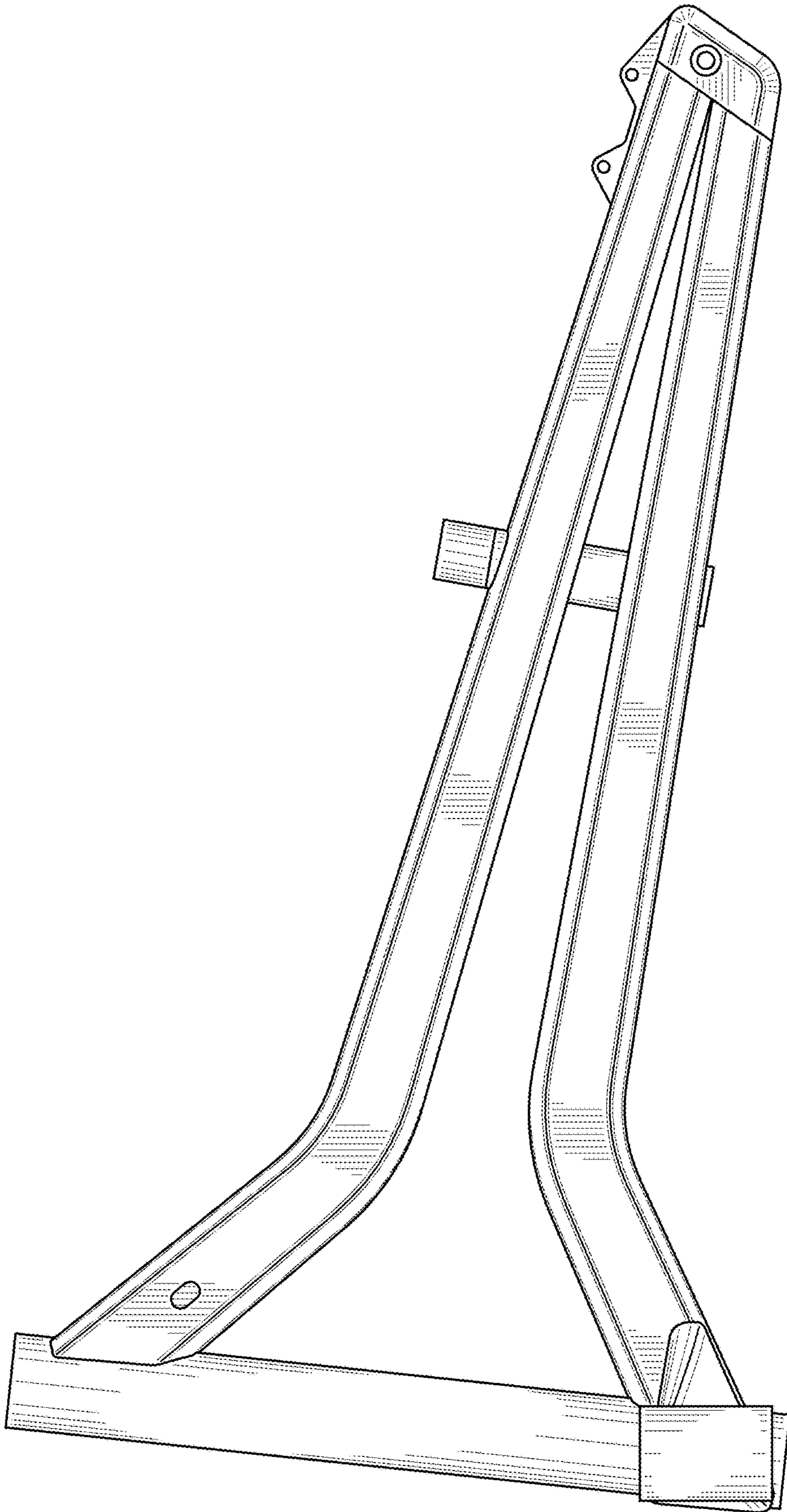


FIG. 3

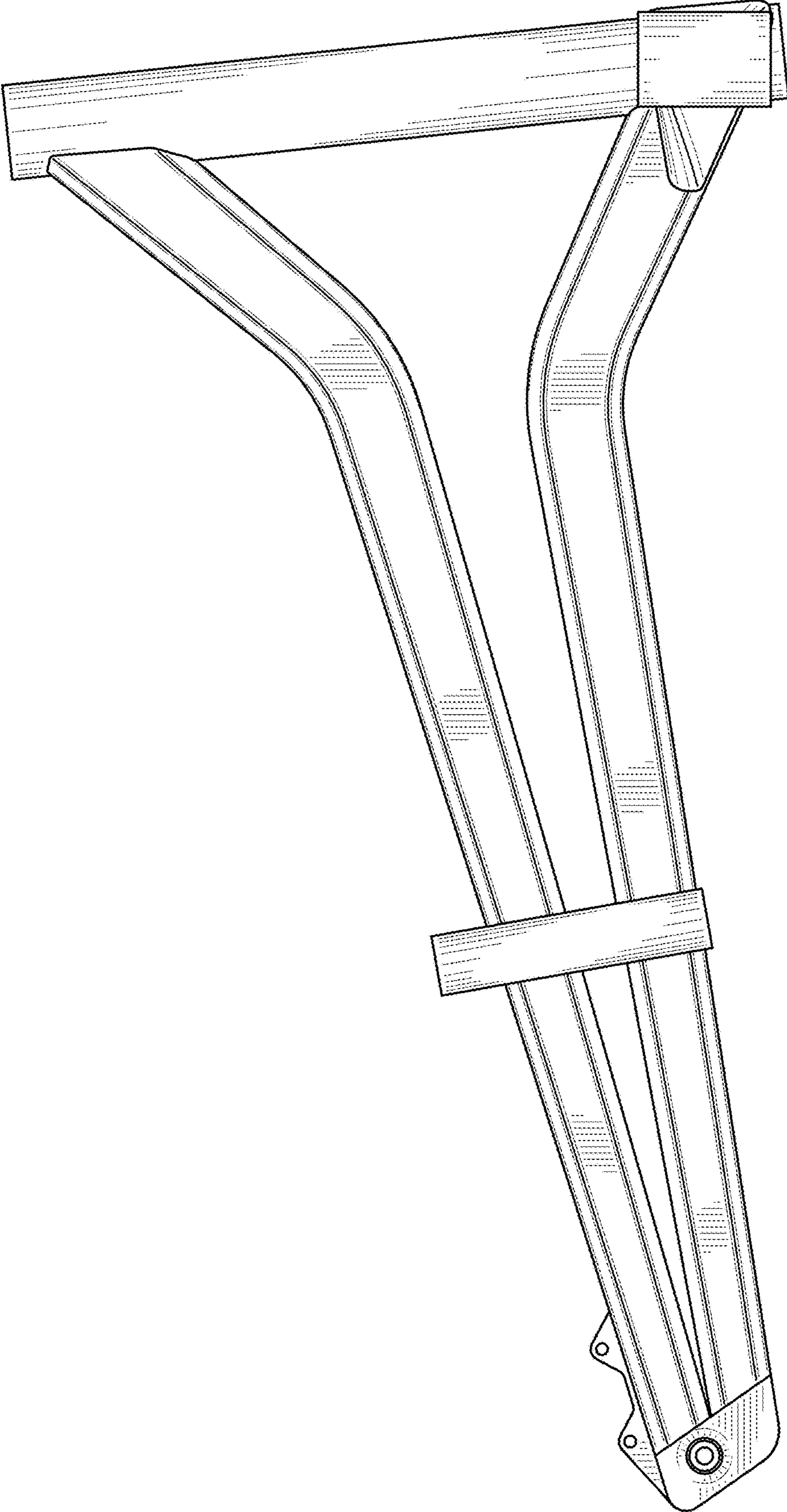


FIG. 4



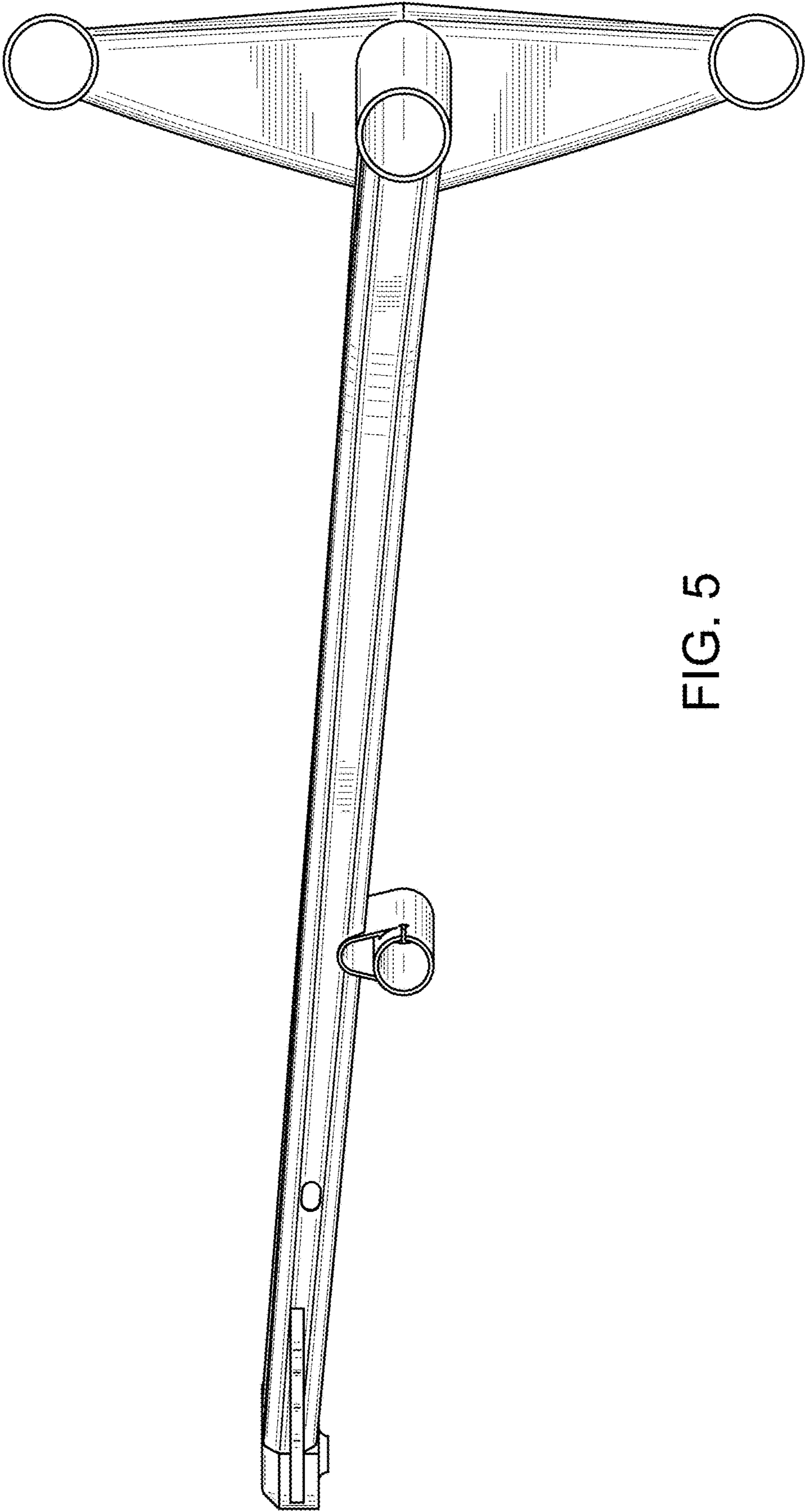


FIG. 5

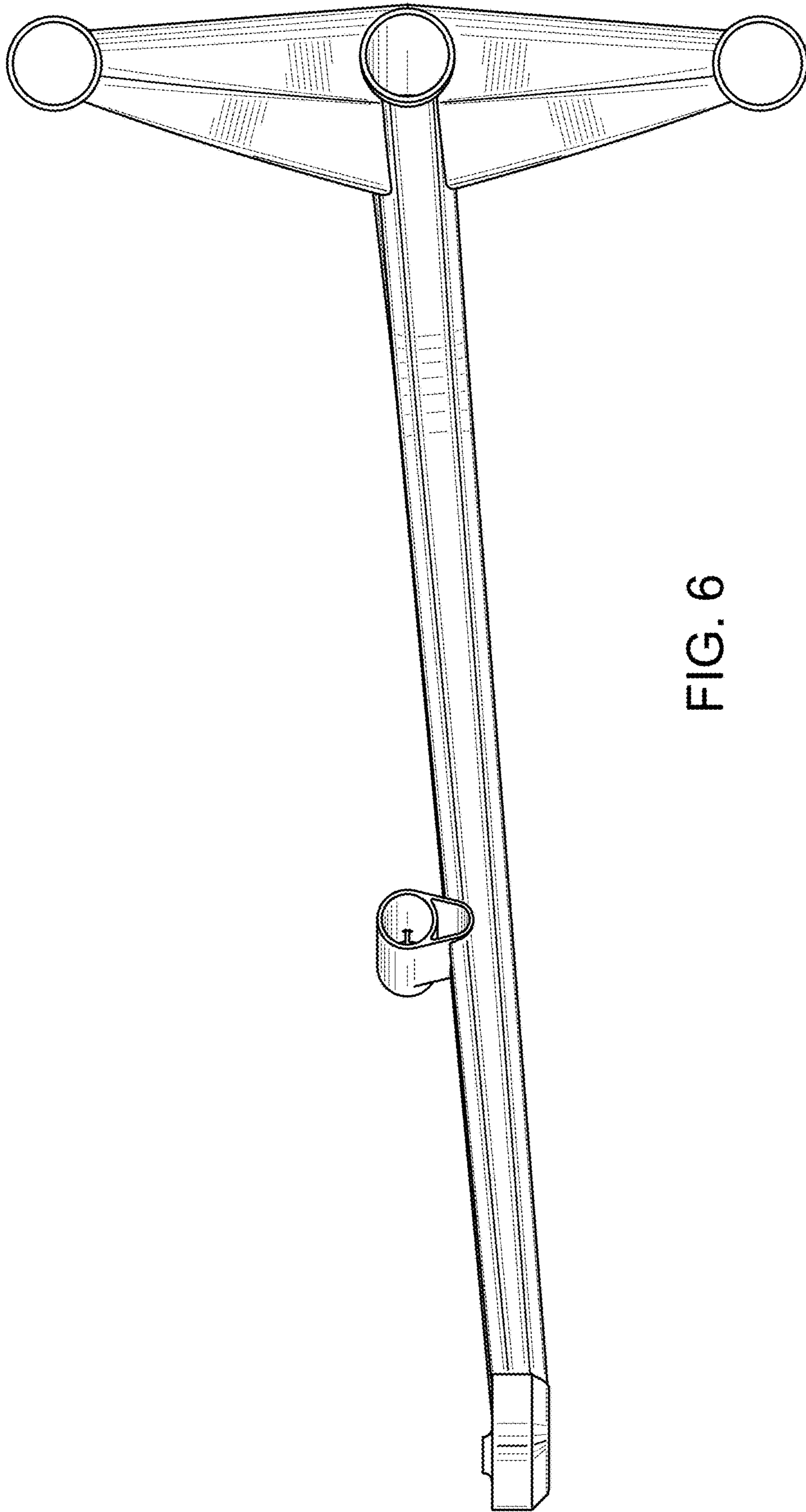


FIG. 6

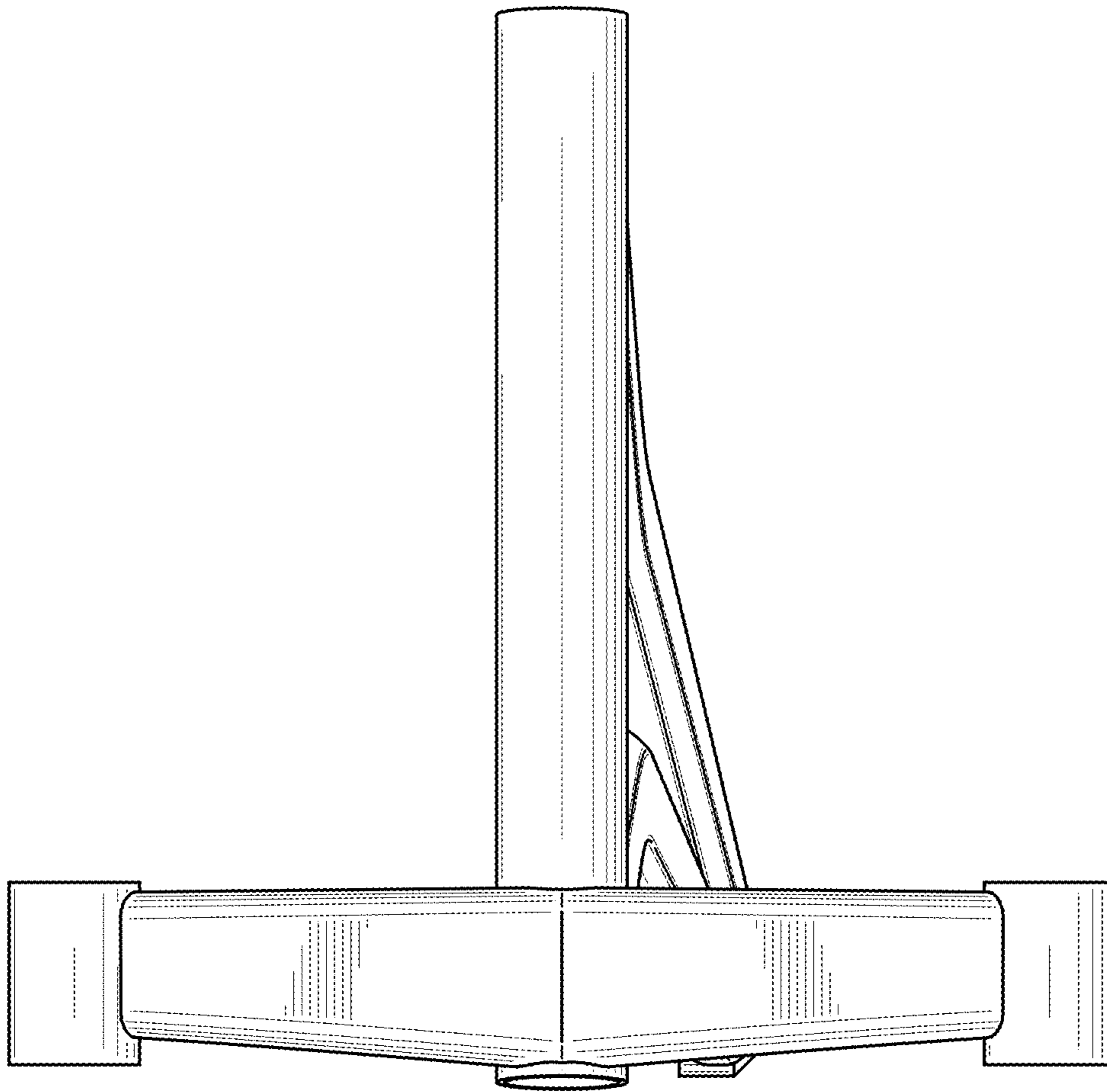


FIG. 7



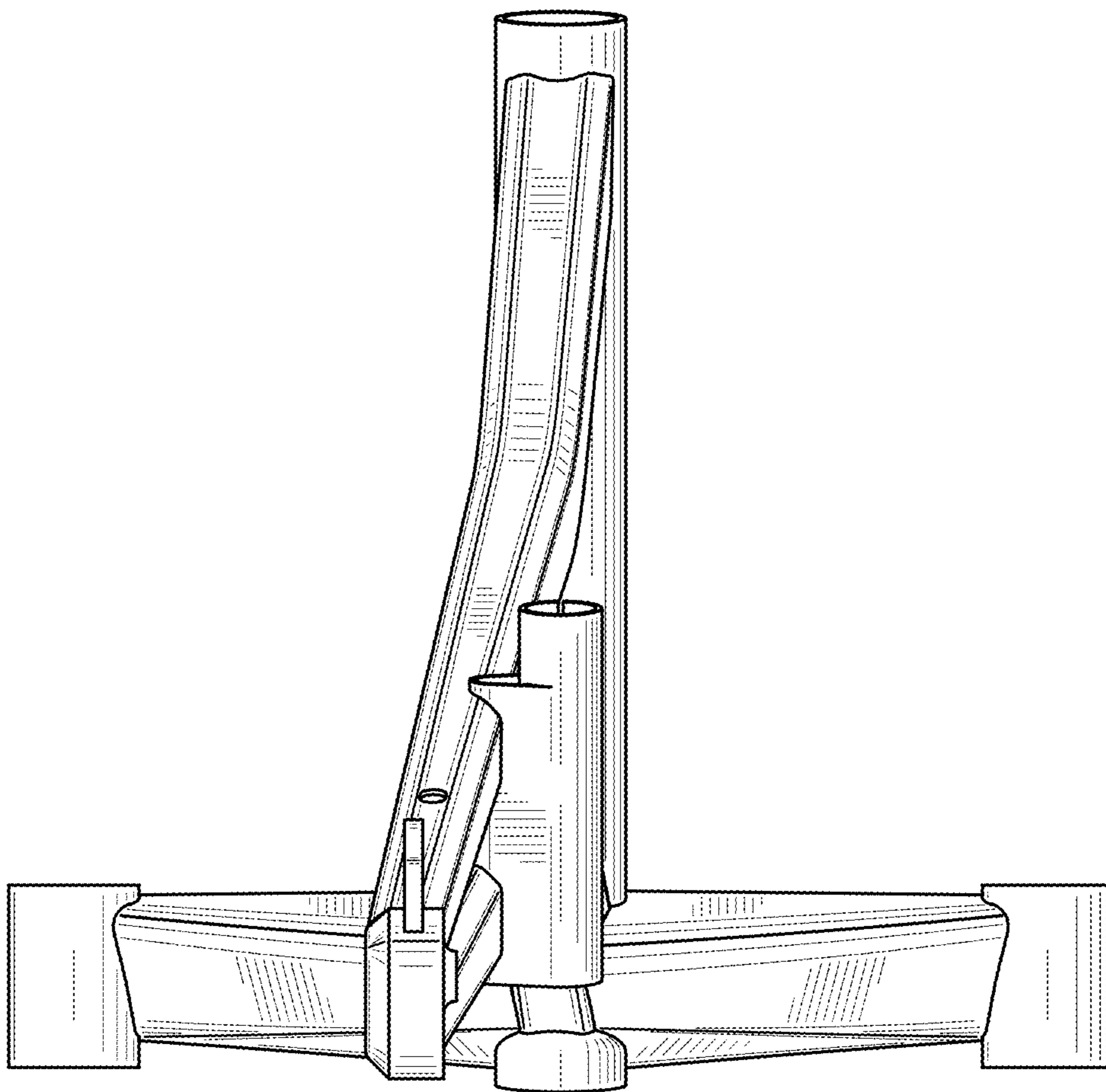


FIG. 8

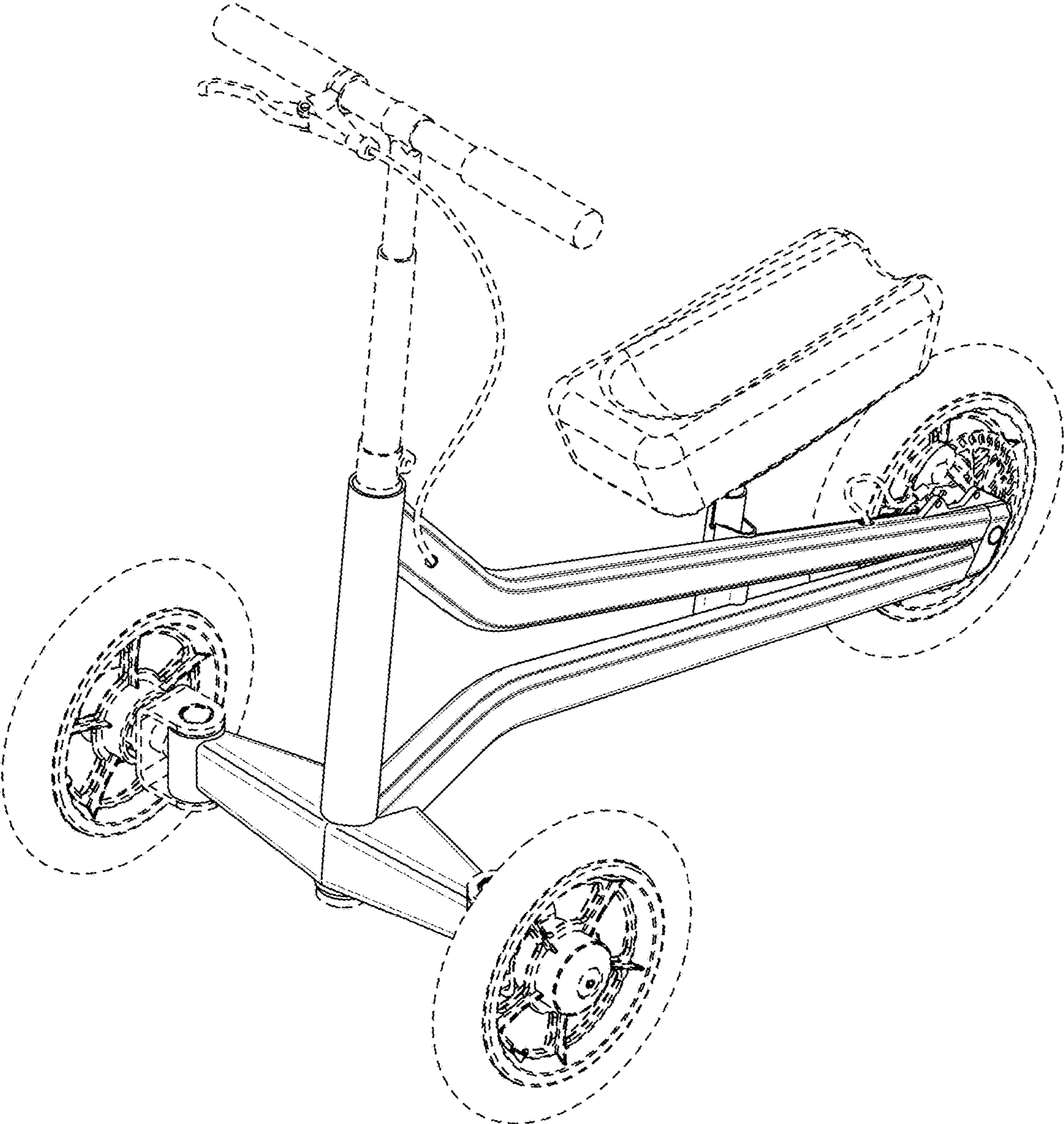


FIG. 9