



US00D803726S

(12) **United States Design Patent** (10) **Patent No.:** **US D803,726 S**  
**Kibler** (45) **Date of Patent:** **\*\* Nov. 28, 2017**

(54) **PNEUMATIC TANK**

OTHER PUBLICATIONS

(71) Applicant: **MAC TRAILER MANUFACTURING, INC.**, Alliance, OH (US)

Bulktransporter.com. "AeroMAC—1615—food grade, monocoque framless design. Photos: NTTCC Tank Truck Week 2015." Uploaded Nov. 23, 2015. Retrieved Mar. 29, 2017. ([http://bulktransporter.com/cargo-tanktrailers/photos-nttc-tank-truck-week-2015#slide-19-field\\_images-39991](http://bulktransporter.com/cargo-tanktrailers/photos-nttc-tank-truck-week-2015#slide-19-field_images-39991)).\*

(72) Inventor: **Scott A. Kibler**, Kensington, OH (US)

(Continued)

(73) Assignee: **MAC TRAILER MANUFACTURING, INC.**, Alliance, OH (US)

*Primary Examiner* — Karen S Acker

*Assistant Examiner* — Jerry Hsu

(\*\*) Term: **15 Years**

(74) *Attorney, Agent, or Firm* — Sand & Sebolt

(21) Appl. No.: **29/556,296**

(57) **CLAIM**

The ornamental design for a pneumatic tank, as shown and described.

(22) Filed: **Feb. 29, 2016**

(51) **LOC (10) Cl.** ..... **12-08**

(52) **U.S. Cl.**  
USPC ..... **D12/95**

**DESCRIPTION**

(58) **Field of Classification Search**  
USPC ..... D12/101, 102, 103, 104, 105, 106, 93, D12/94, 95, 96, 97, 98, 99, 100, 400, D12/406, 412, 413, 414.1  
CPC .. B60P 1/56; B60P 3/222; B60P 3/224; B61D 7/00; B61D 7/02; B23K 31/02  
See application file for complete search history.

FIG. 1 is a front left perspective view of the pneumatic tank showing our new design, the right rear perspective view being a mirror image;  
FIG. 2 is a front right perspective view thereof, the left rear perspective view being a mirror image;  
FIG. 3 is a top front left perspective view thereof, the top right rear perspective view being a mirror image;  
FIG. 4 is a top front right perspective view thereof, the top left rear perspective view being a mirror image;  
FIG. 5 is a bottom front left perspective view thereof, the bottom right rear perspective view being a mirror image;  
FIG. 6 is a bottom front right perspective view thereof, the bottom left rear perspective view being a mirror image;  
FIG. 7 is a left side elevation view thereof, the right side elevation view being a mirror image  
FIG. 8 is a top plan view thereof;  
FIG. 9 is a bottom plan view thereof; and,  
FIG. 10 is a front elevation view thereof, the rear elevation view being a mirror image.

(56) **References Cited**

U.S. PATENT DOCUMENTS

RE8,071 E 2/1878 McGarry  
D90,896 S 10/1933 Perkins et al.  
D93,190 S 8/1934 Thwaits  
D94,790 S 3/1935 Thwaits  
2,038,265 A 4/1936 Bradley  
2,119,671 A 6/1938 Francis

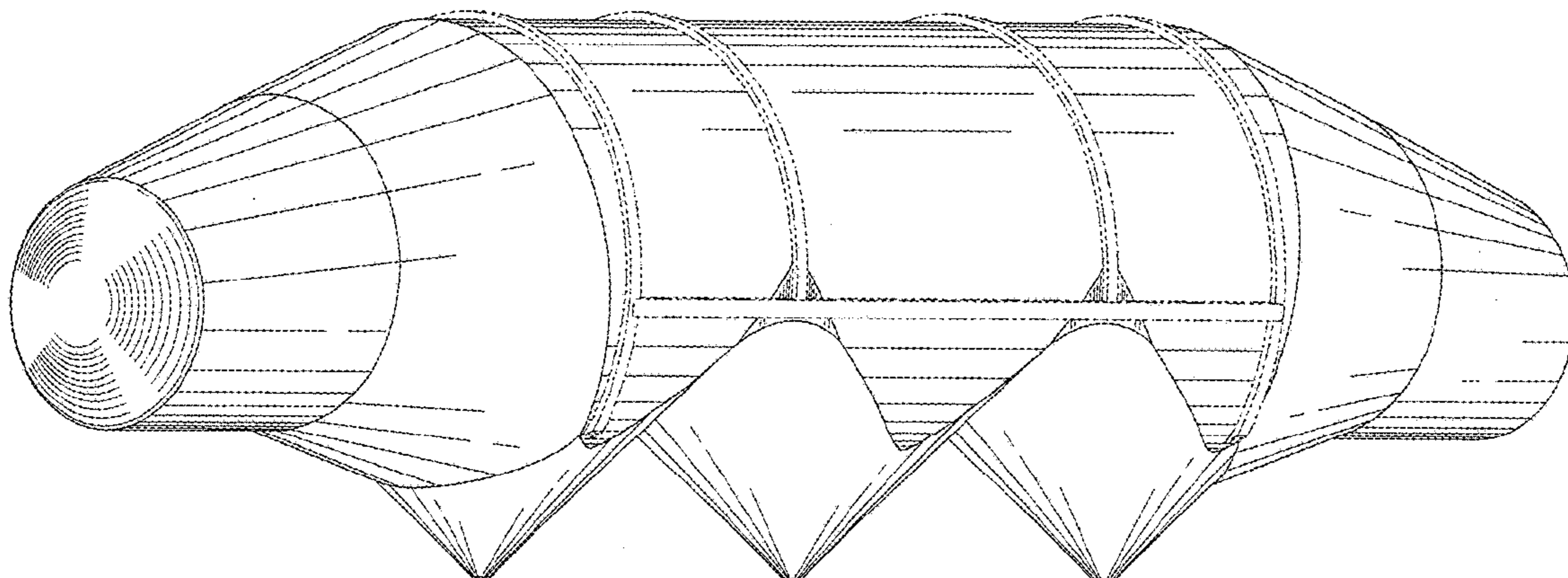
(Continued)

FOREIGN PATENT DOCUMENTS

FR 1091454 4/1955  
FR 1560692 3/1969  
NL 6410703 3/1965

The broken lines illustrate portions of the pneumatic tank which form no part of the claimed design.

**1 Claim, 10 Drawing Sheets**



(56)

References Cited

U.S. PATENT DOCUMENTS

2,185,030 A 12/1939 Lockwood  
 2,616,758 A \* 11/1952 Meyers ..... B60P 1/56  
 105/248  
 2,626,813 A 1/1953 Mullen  
 D170,969 S 12/1953 Clough  
 2,689,462 A 9/1954 Brandon  
 D193,294 S 7/1962 Mendez  
 3,043,599 A \* 7/1962 Meyer ..... B60P 3/222  
 280/407.1  
 3,058,753 A 10/1962 Carlsen  
 3,080,173 A 3/1963 Johnson et al.  
 D196,427 S \* 10/1963 Anderson ..... D12/95  
 D204,751 S \* 5/1966 Mendez ..... D12/95  
 3,252,431 A 5/1966 Phillips  
 3,311,269 A 3/1967 Mendez  
 D211,163 S \* 5/1968 Mendez ..... D12/95  
 3,419,310 A 12/1968 Gramlich  
 3,543,692 A \* 12/1970 Stark ..... B61D 7/02  
 105/248  
 3,679,082 A 7/1972 Gramlich  
 D229,041 S \* 11/1973 Norton ..... D12/97  
 3,917,084 A 11/1975 Swisher, Jr. et al.  
 4,230,048 A \* 10/1980 Gordon ..... B61D 7/00  
 105/248  
 4,348,047 A 9/1982 Harshman  
 4,403,783 A 9/1983 Henderson

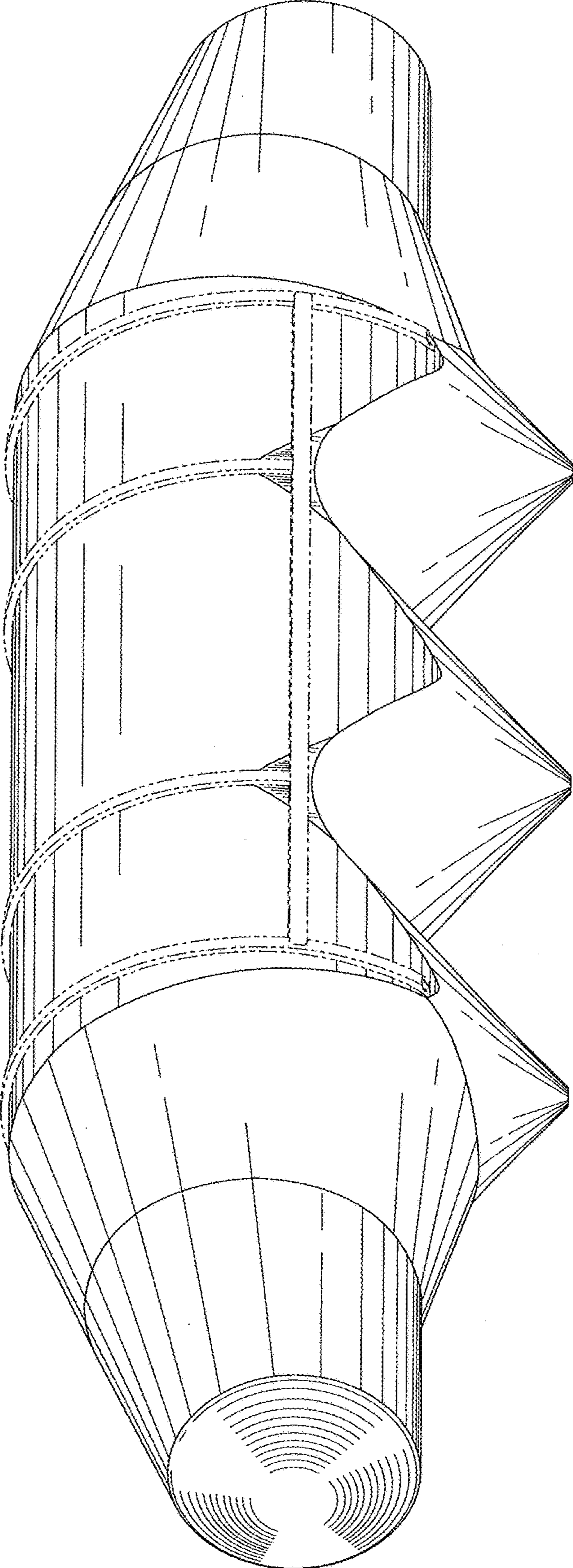
4,818,024 A \* 4/1989 Michel ..... B60P 1/56  
 296/180.1  
 5,326,156 A 7/1994 Heider et al.  
 5,819,970 A 10/1998 Solimar  
 6,457,630 B1 \* 10/2002 Nilsson ..... B23K 31/02  
 228/135  
 6,948,887 B1 9/2005 Yielding et al.  
 8,632,099 B2 1/2014 Conny et al.  
 8,684,448 B2 4/2014 Johnson et al.  
 D716,701 S 11/2014 Beelman, III  
 D756,267 S \* 5/2016 Kibler ..... D12/102  
 2008/0073895 A1 3/2008 Herman et al.  
 2009/0085394 A1 \* 4/2009 Lemmons ..... B60P 1/56  
 298/27  
 2013/0266411 A1 \* 10/2013 Morgan ..... B60P 3/224  
 414/462  
 2015/0007436 A1 1/2015 Kibler et al.

OTHER PUBLICATIONS

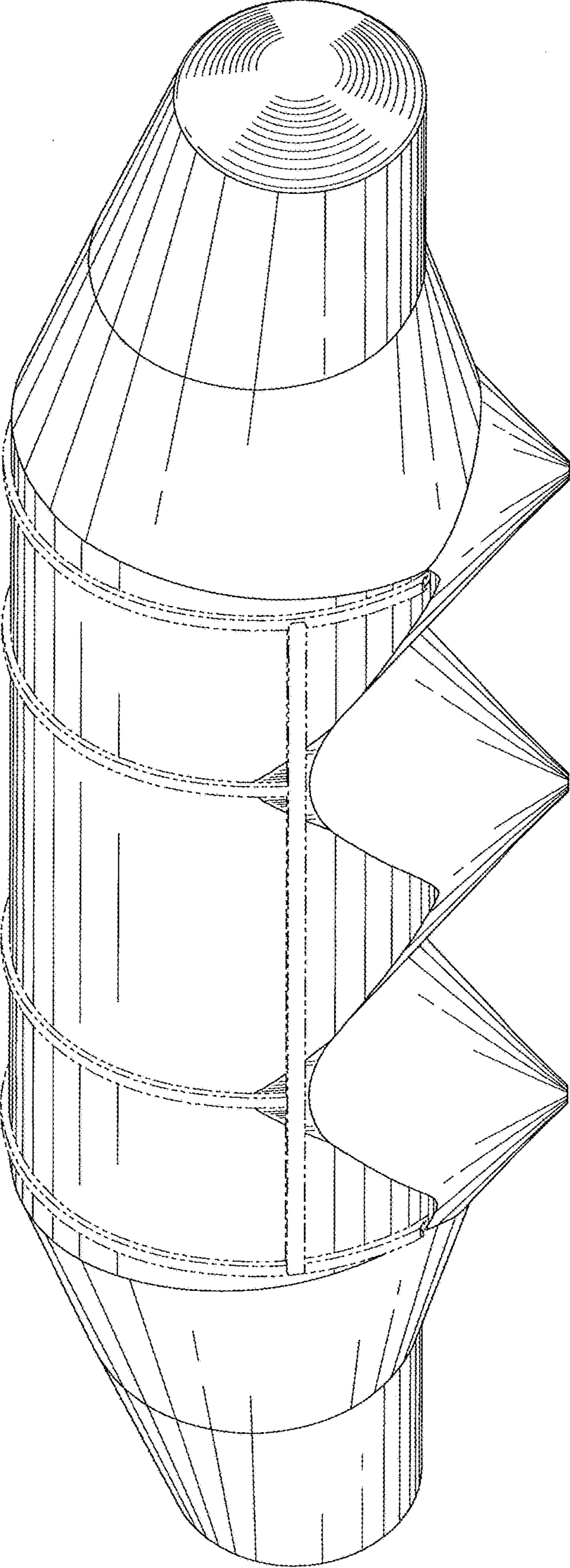
Pneumatic Dry Bulk Tank—Trailer, [www.flickr.com, https://www.flickr.com/photos/77979851@N05/8132184963](http://www.flickr.com/photos/77979851@N05/8132184963), Oct. 28, 2012, 3 pages.  
 Consumer Goods Trailers, [www.heiltrailer.com, http://www.heiltrailer.com/Consumer-Goods-Trailers.aspx](http://www.heiltrailer.com/Consumer-Goods-Trailers.aspx), Heil Trailer International, Co., document is undated but printed from the pertinent website on Jul. 10, 2013, 2 pages.

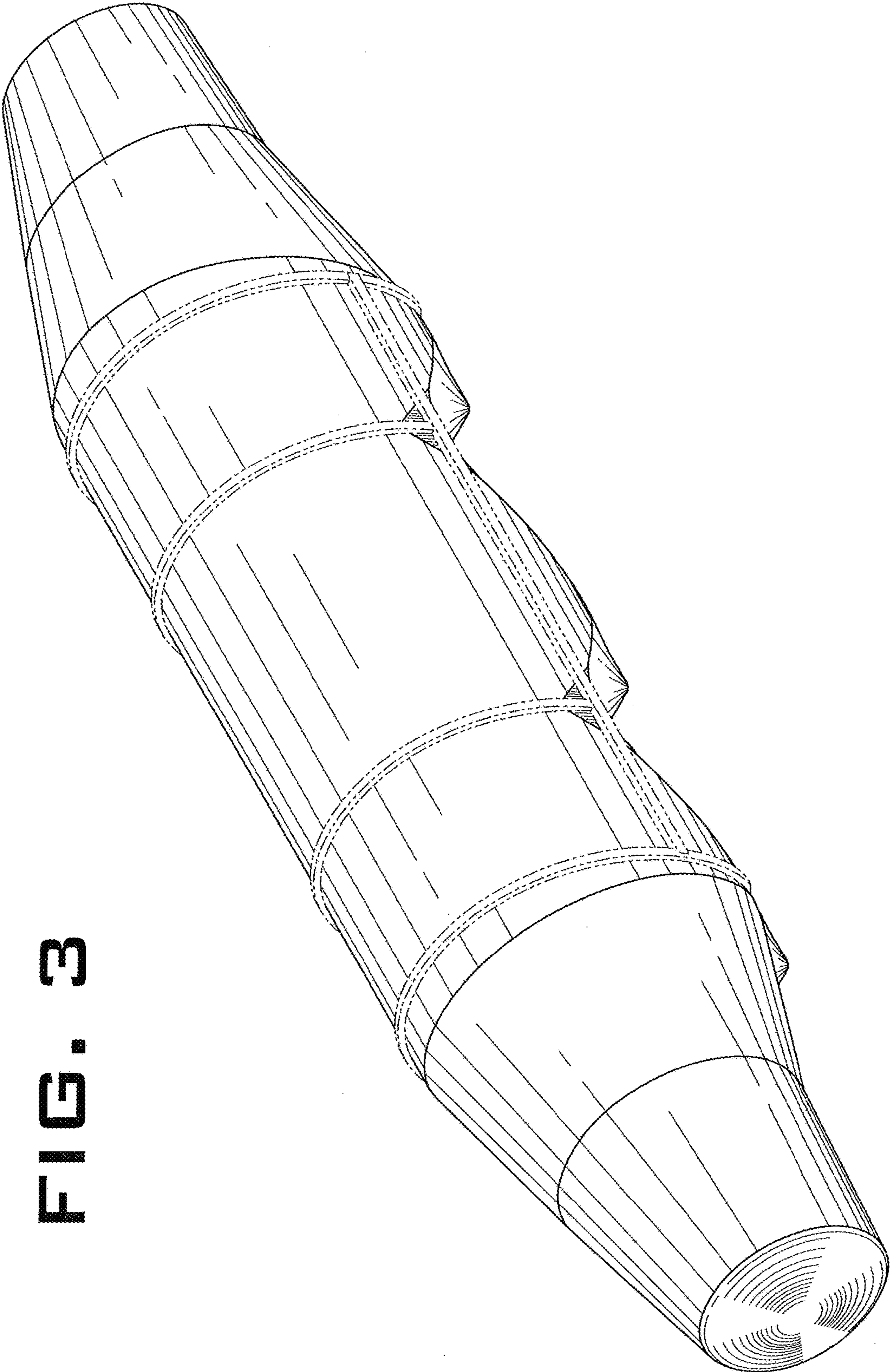
\* cited by examiner

FIG. 1



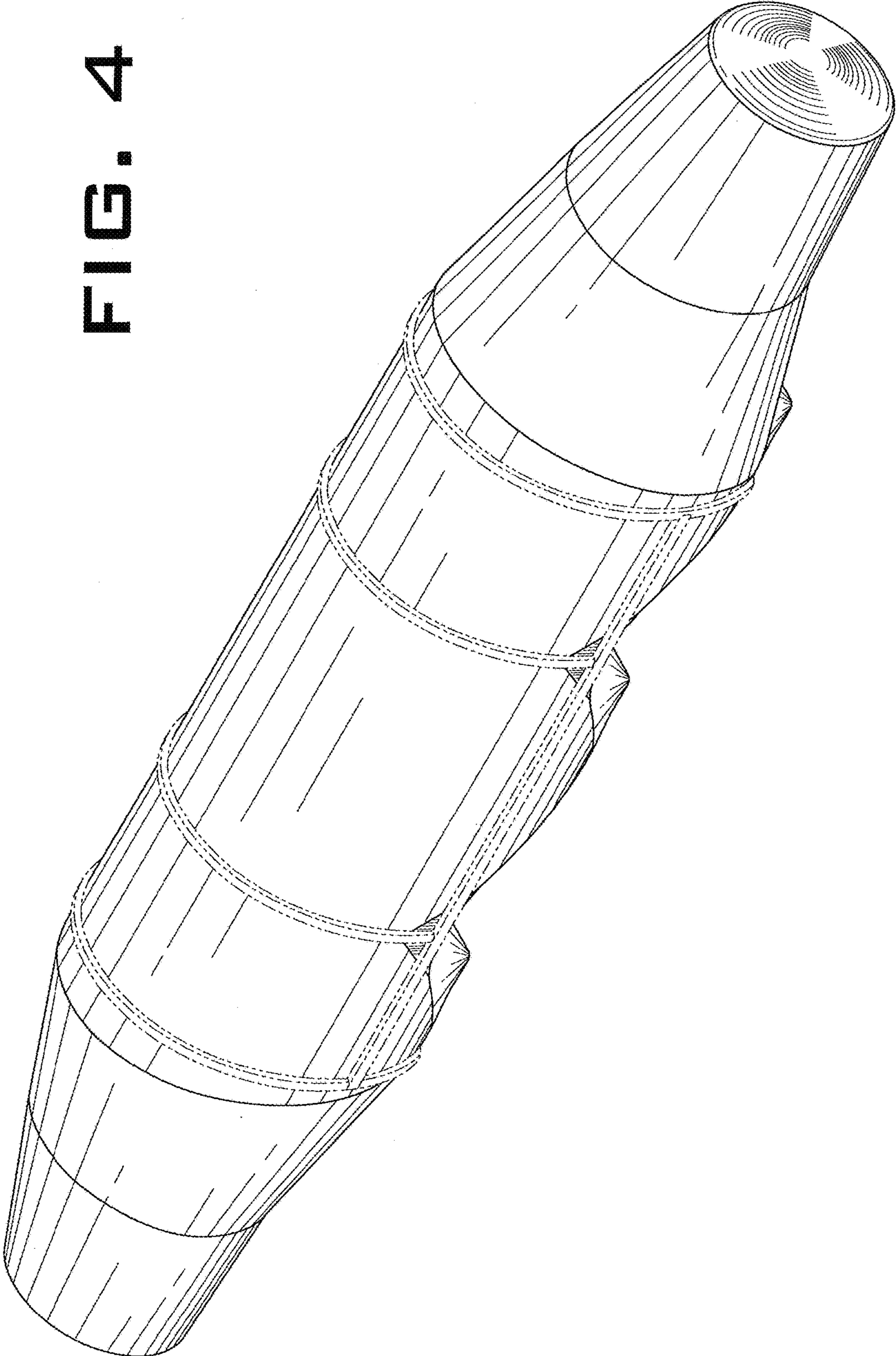
**FIG. 2**



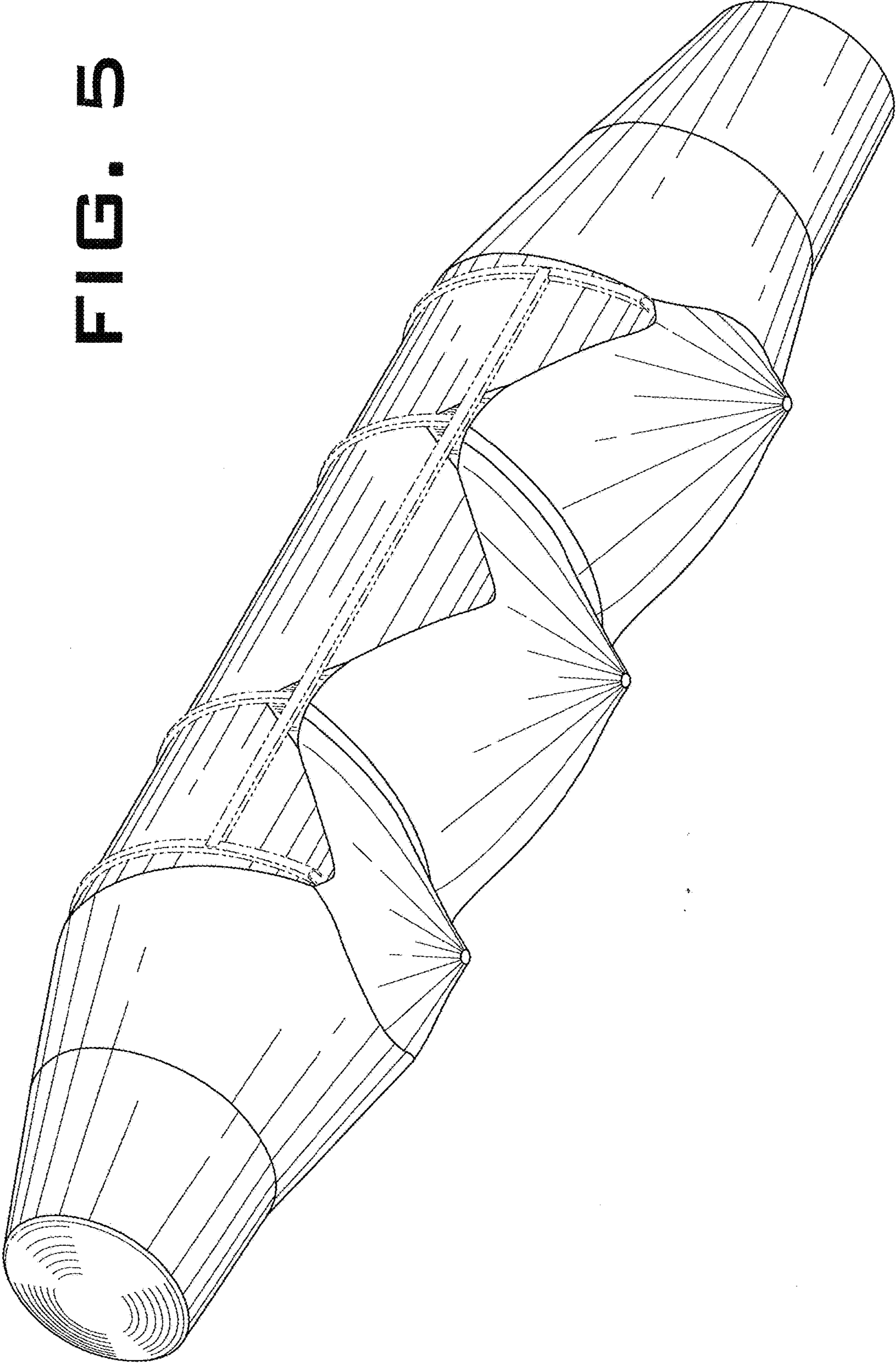


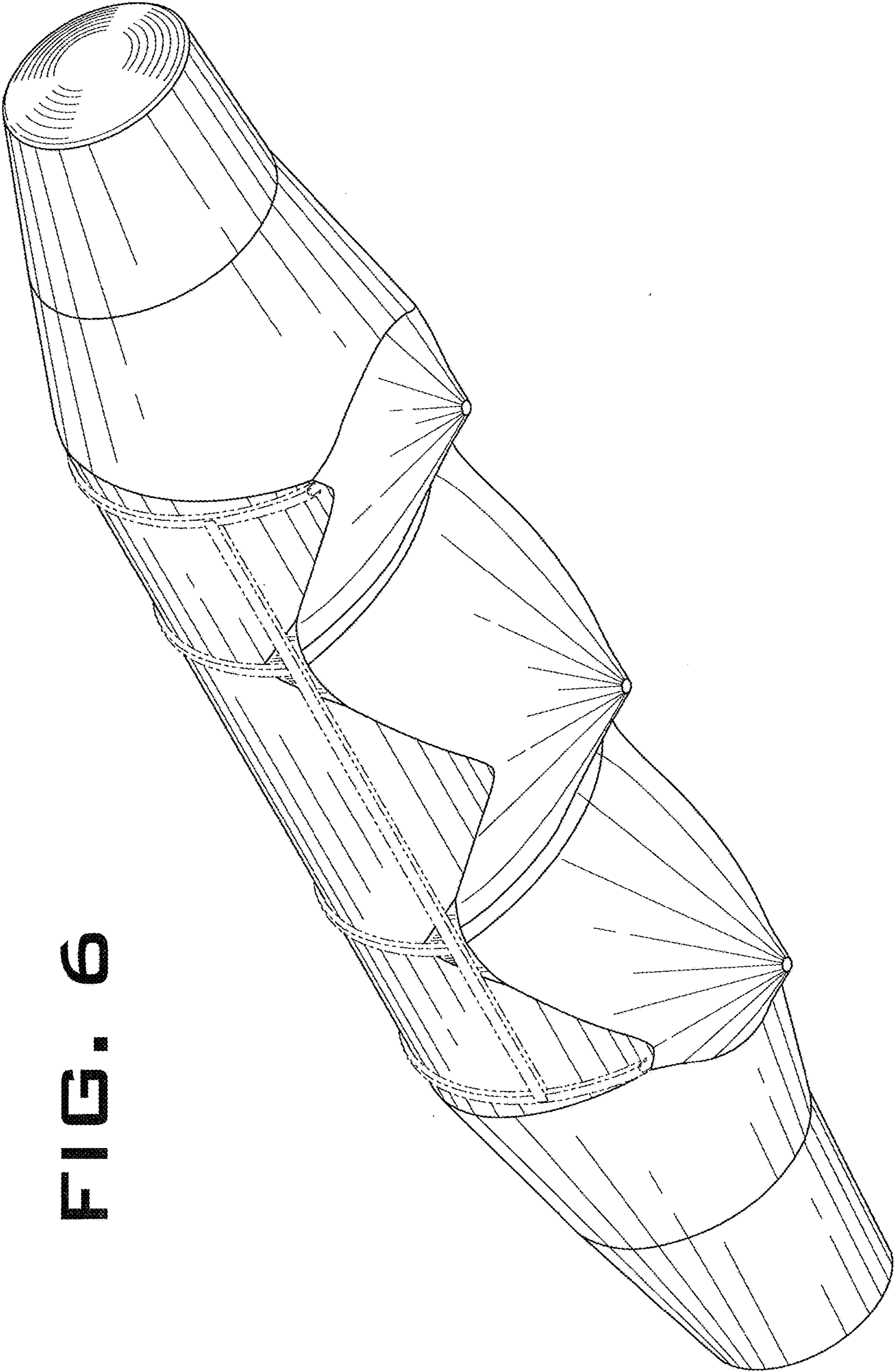
**FIG. 3**

**FIG. 4**



**FIG. 5**

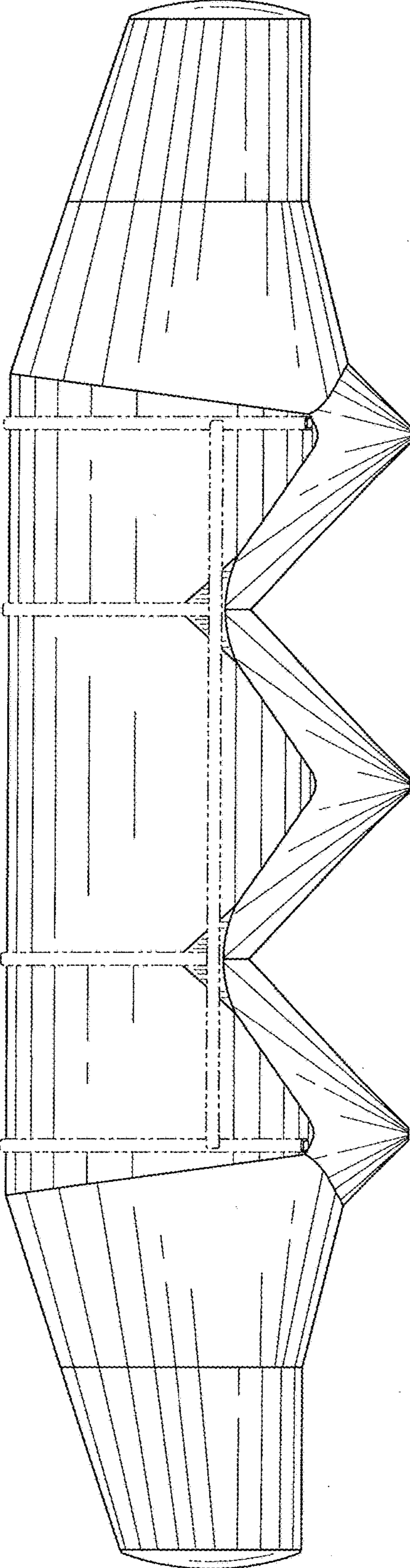




**FIG. 6**



FIG. 7



**FIG. 8**

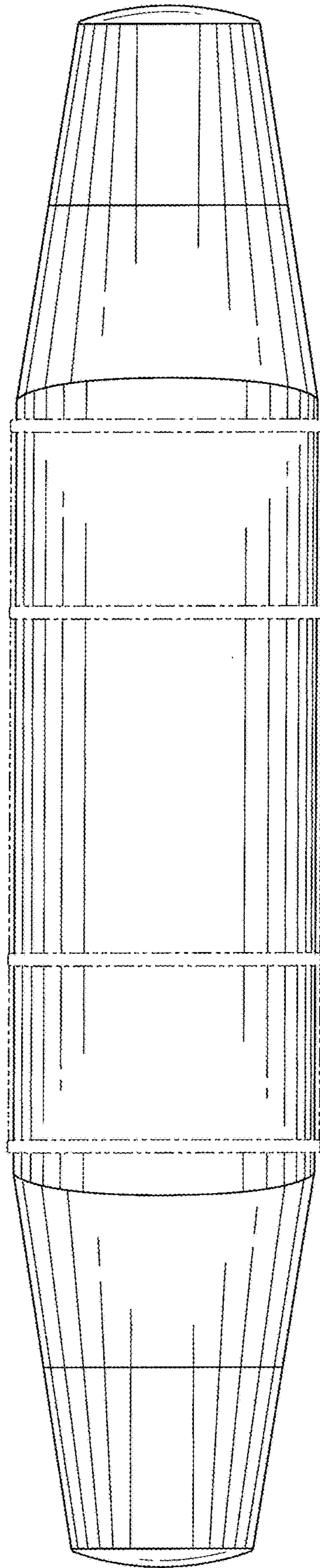
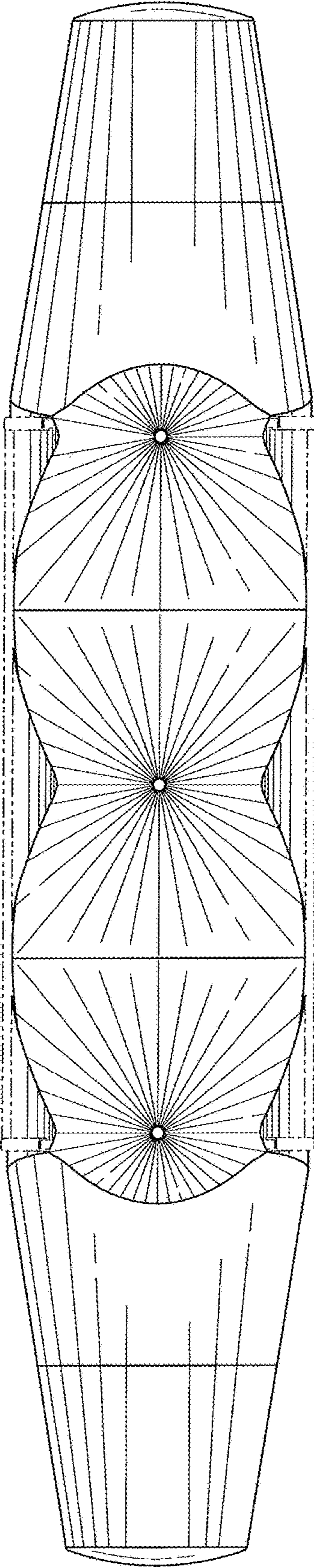
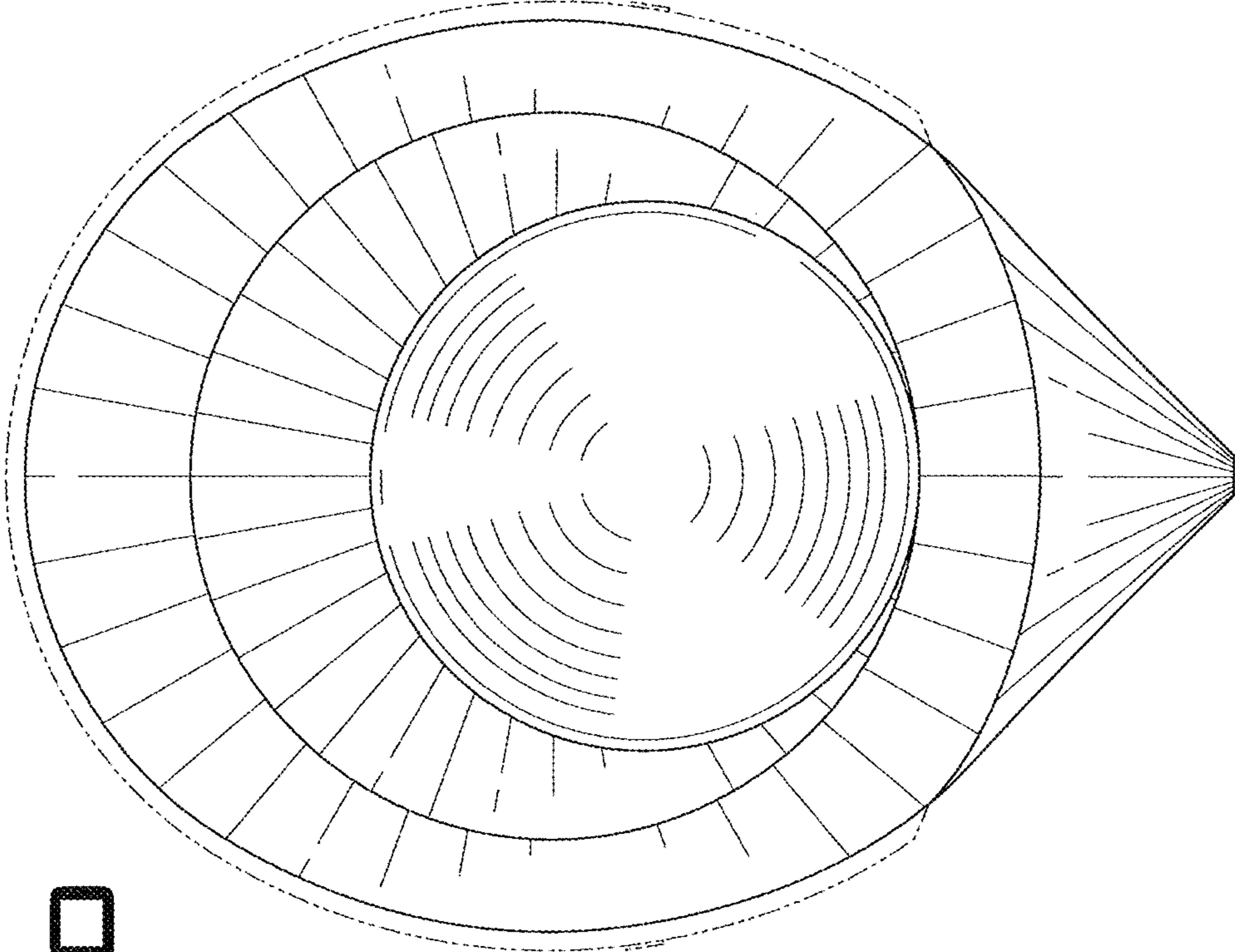


FIG. 9





**FIG. 10**