



US00D803723S

(12) **United States Design Patent** (10) **Patent No.:** **US D803,723 S**  
**Chen et al.** (45) **Date of Patent:** **\*\* Nov. 28, 2017**

- (54) **AERIAL VEHICLE**
- (71) Applicant: **SZ DJI Technology Co., Ltd.**,  
Shenzhen (CN)
- (72) Inventors: **Shaojie Chen**, Shenzhen (CN); **Zhen Wang**, Shenzhen (CN); **Yun Zhao**,  
Shenzhen (CN)
- (73) Assignee: **SZ DJI Technology Co., Ltd.**,  
Shenzhen (CN)
- (\*\*) Term: **15 Years**
- (21) Appl. No.: **29/570,238**
- (22) Filed: **Jul. 6, 2016**

- 2015/0060606 A1\* 3/2015 Wang ..... B64C 39/024  
244/175
- 2015/0321755 A1\* 11/2015 Martin ..... B64C 27/50  
244/17.23
- 2016/0122010 A1\* 5/2016 Tang ..... G01C 19/02  
244/17.23
- 2016/0183514 A1\* 6/2016 Dederick ..... A01M 29/06  
119/713

(Continued)

**FOREIGN PATENT DOCUMENTS**

- CN 302321461 S 2/2013
- CN 302759596 S 3/2014

(Continued)

*Primary Examiner* — Robert M Spear  
*Assistant Examiner* — Marissa J Cash  
 (74) *Attorney, Agent, or Firm* — Sterne, Kessler,  
 Goldstein & Fox P.L.L.C.

**Related U.S. Application Data**

- (63) Continuation of application No. 29/552,818, filed on  
Jan. 26, 2016.
- (51) **LOC (10) Cl.** ..... **12-01**
- (52) **U.S. Cl.**  
USPC ..... **D12/16.1; D12/345**
- (58) **Field of Classification Search**  
USPC ..... D12/16.1, 319–324, 326–345; D21/436,  
D21/441, 443, 444, 446, 447, 448, 449,  
D21/450, 451, 452, 453  
CPC ..... B64C 1/062; B64C 39/024; B64C 27/08;  
B64C 29/00; B64C 39/00; B64C 23/00;  
B64C 27/20  
See application file for complete search history.

(57) **CLAIM**

The ornamental design for an aerial vehicle, as shown and described.

**DESCRIPTION**

FIG. 1 is a top front perspective view of an aerial vehicle showing the claimed design;  
 FIG. 2 is a top front perspective view thereof;  
 FIG. 3 is a front view thereof;  
 FIG. 4 is a rear view thereof;  
 FIG. 5 is a right side view thereof;  
 FIG. 6 is a left side view thereof;  
 FIG. 7 is a top view thereof; and,  
 FIG. 8 is a bottom view thereof.

The broken lines in the figures show portions of the aerial vehicle that form no part of the claimed design.

The dot-dash broken lines in the figures show boundaries that form no part of the claimed design.

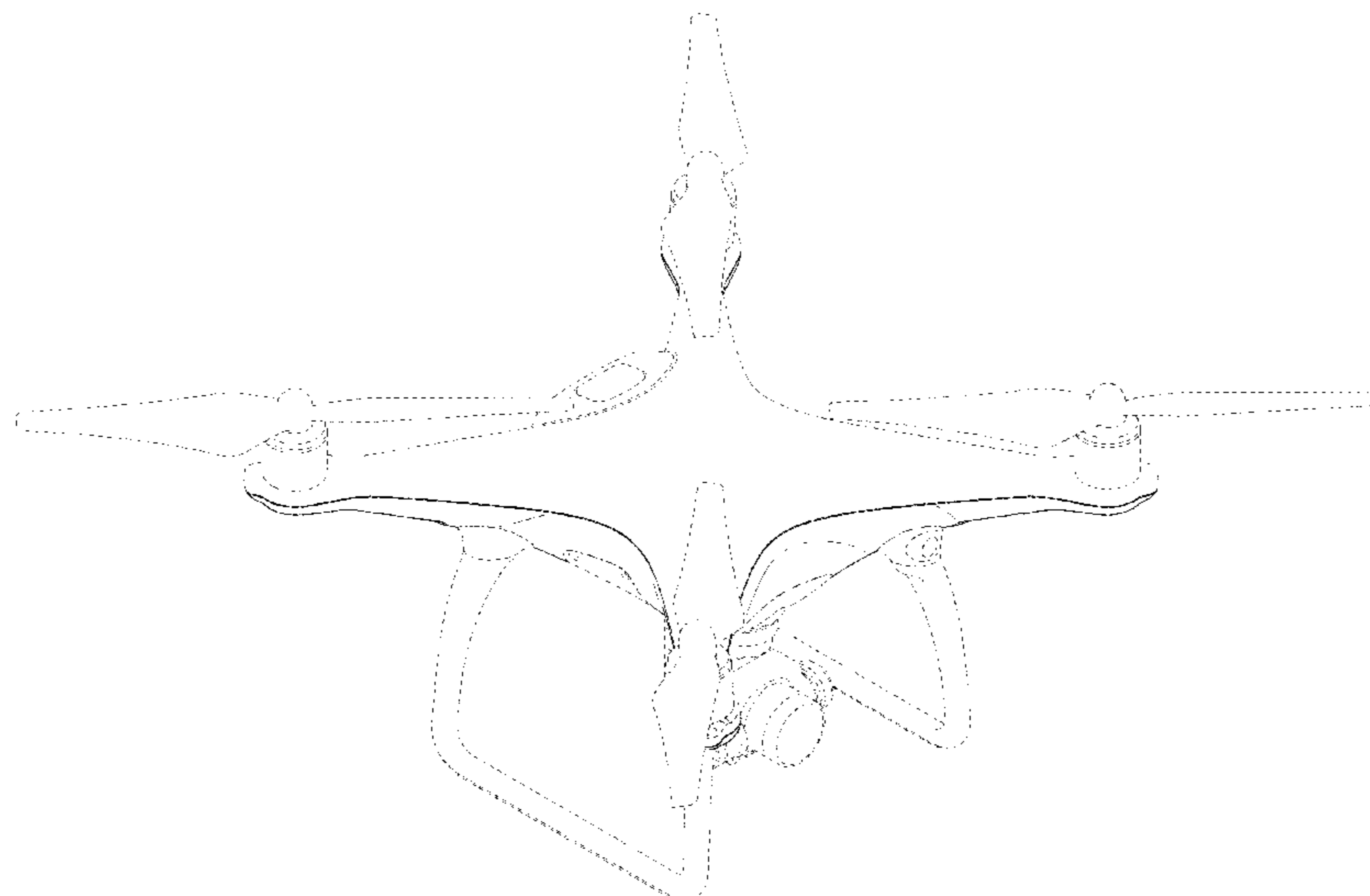
The shade lines in the figures show contour and not surface ornamentation.

(56) **References Cited**

**U.S. PATENT DOCUMENTS**

- D691,514 S \* 10/2013 Wang ..... D12/16.1
- D745,435 S 12/2015 Park et al.
- D759,764 S \* 6/2016 Lai ..... D12/16.1
- D760,848 S \* 7/2016 McKenna ..... D12/16.1
- D763,134 S \* 8/2016 Wang ..... D12/16.1

**1 Claim, 8 Drawing Sheets**



(56)

**References Cited**

U.S. PATENT DOCUMENTS

2016/0244176 A1\* 8/2016 Xiao ..... B60L 7/10  
2016/0313742 A1\* 10/2016 Wang ..... G05D 1/0669  
2016/0334785 A1\* 11/2016 Morrison ..... A63H 30/04  
2016/0362173 A1\* 12/2016 Marion ..... G01S 15/96  
2017/0073070 A1\* 3/2017 Xing ..... B64C 39/024

FOREIGN PATENT DOCUMENTS

CN 303126329 S 3/2015  
CN 303168325 S 4/2015  
CN 303206942 S 5/2015  
CN 303255986 S 6/2015  
CN 303255987 S 6/2015  
CN 303307559 S 7/2015  
CN 303367223 S 9/2015  
CN 303403035 S 10/2015  
CN 303452142 S 11/2015  
CN 303478218 S 12/2015  
CN 303491333 S 12/2015  
CN 303530921 S 12/2015  
CN 303530922 S 12/2015  
CN 303530929 S 12/2015  
CN 303562862 S 1/2016  
CN 303562876 S 1/2016  
KR 30-0819716 10/2015

\* cited by examiner

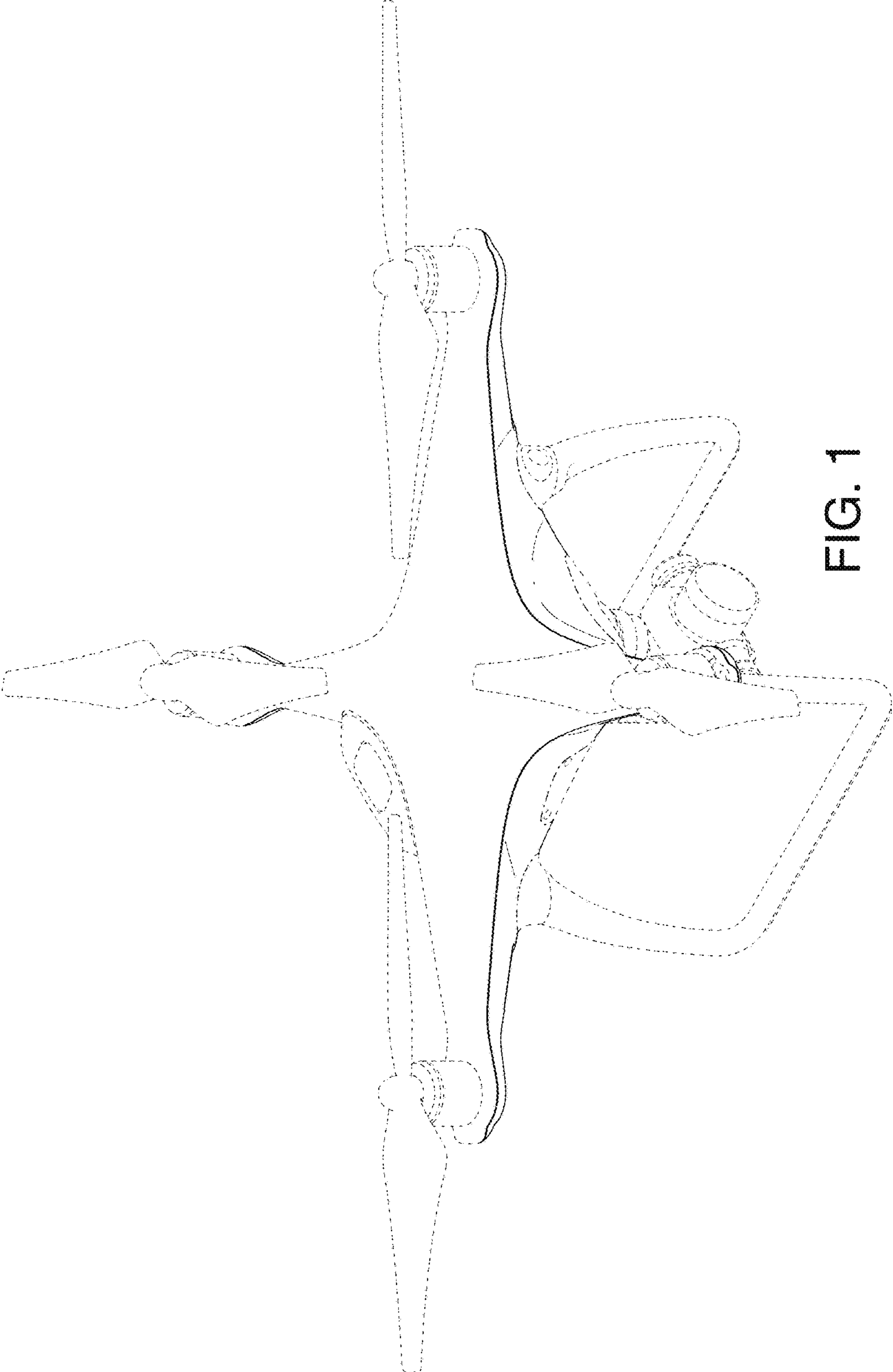


FIG. 1

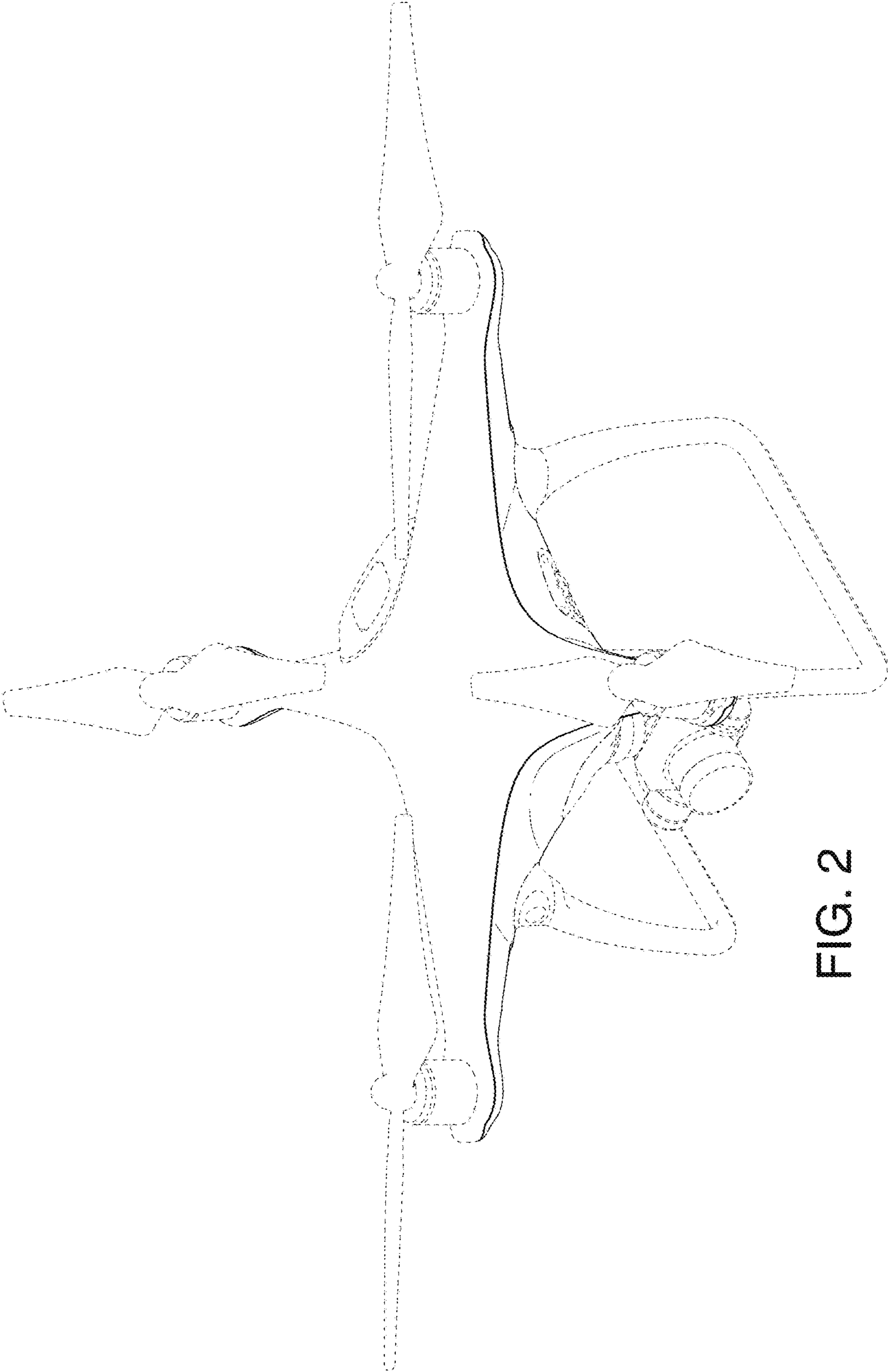


FIG. 2

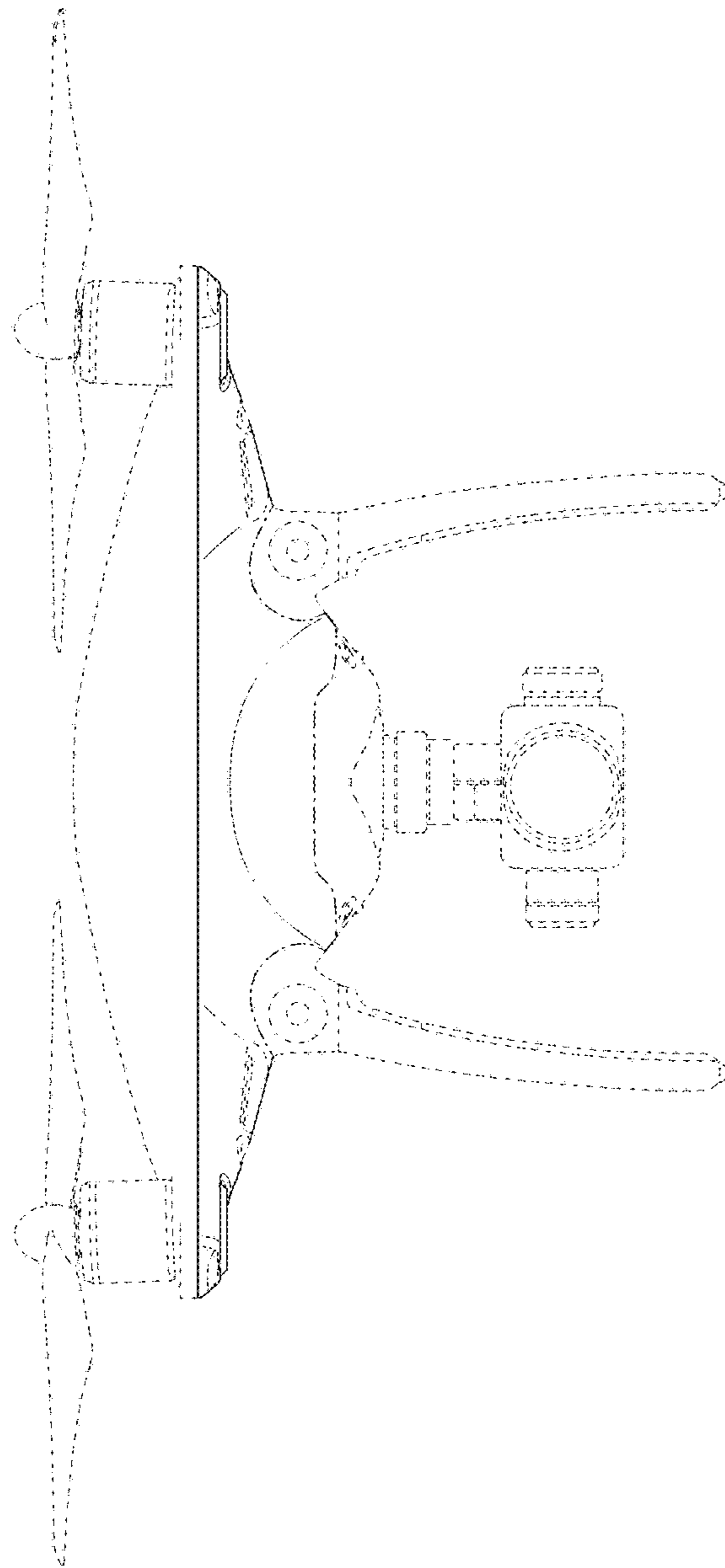


FIG. 3

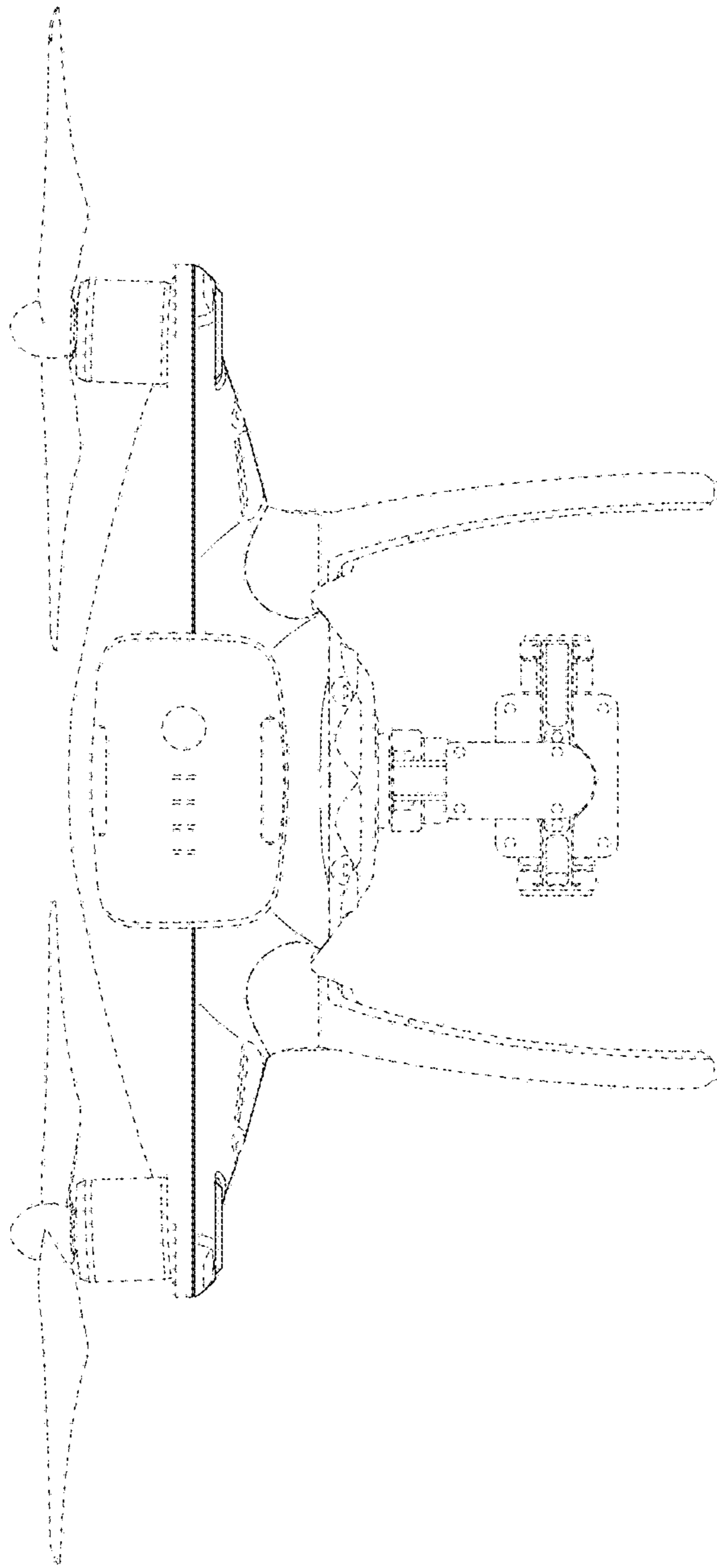


FIG. 4

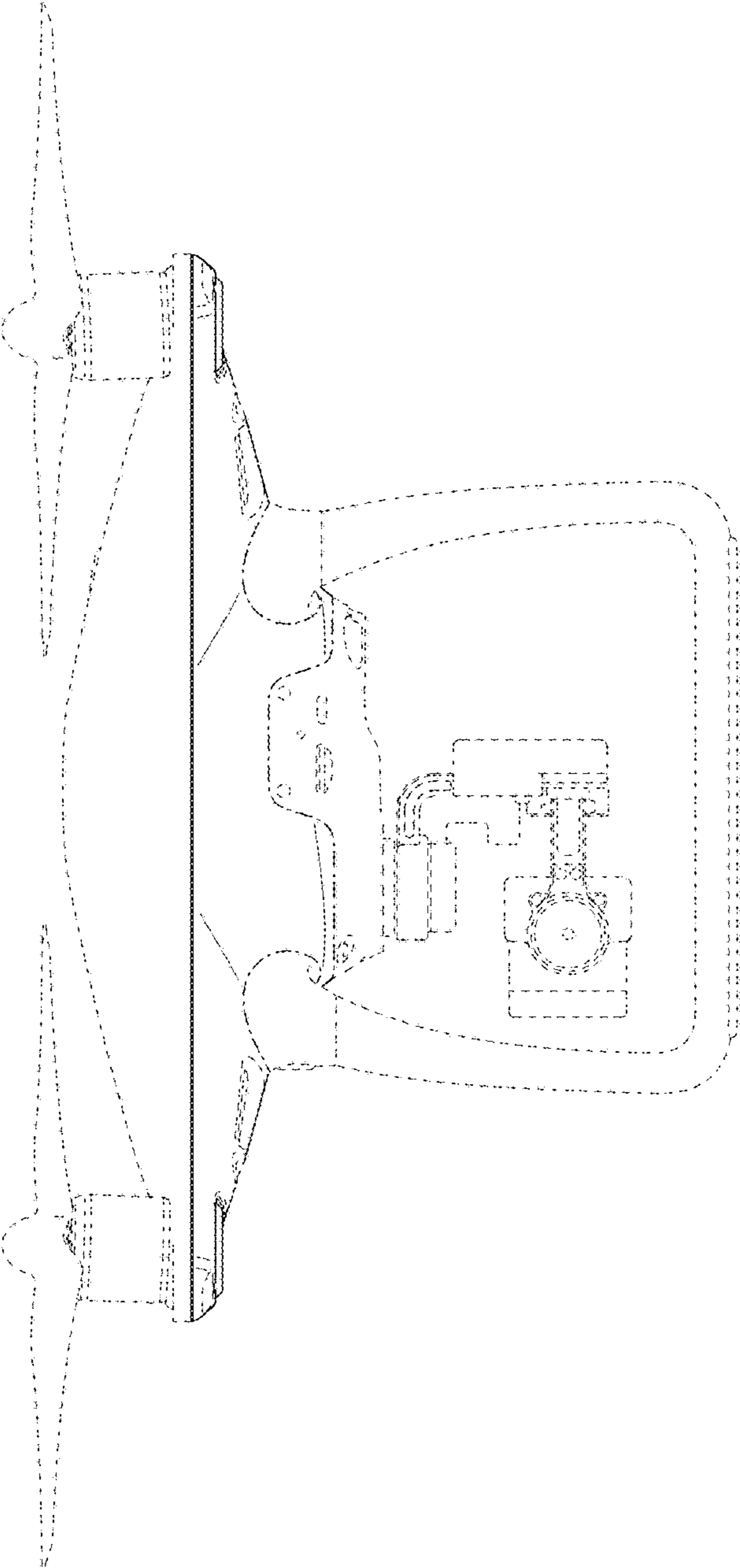


FIG. 5

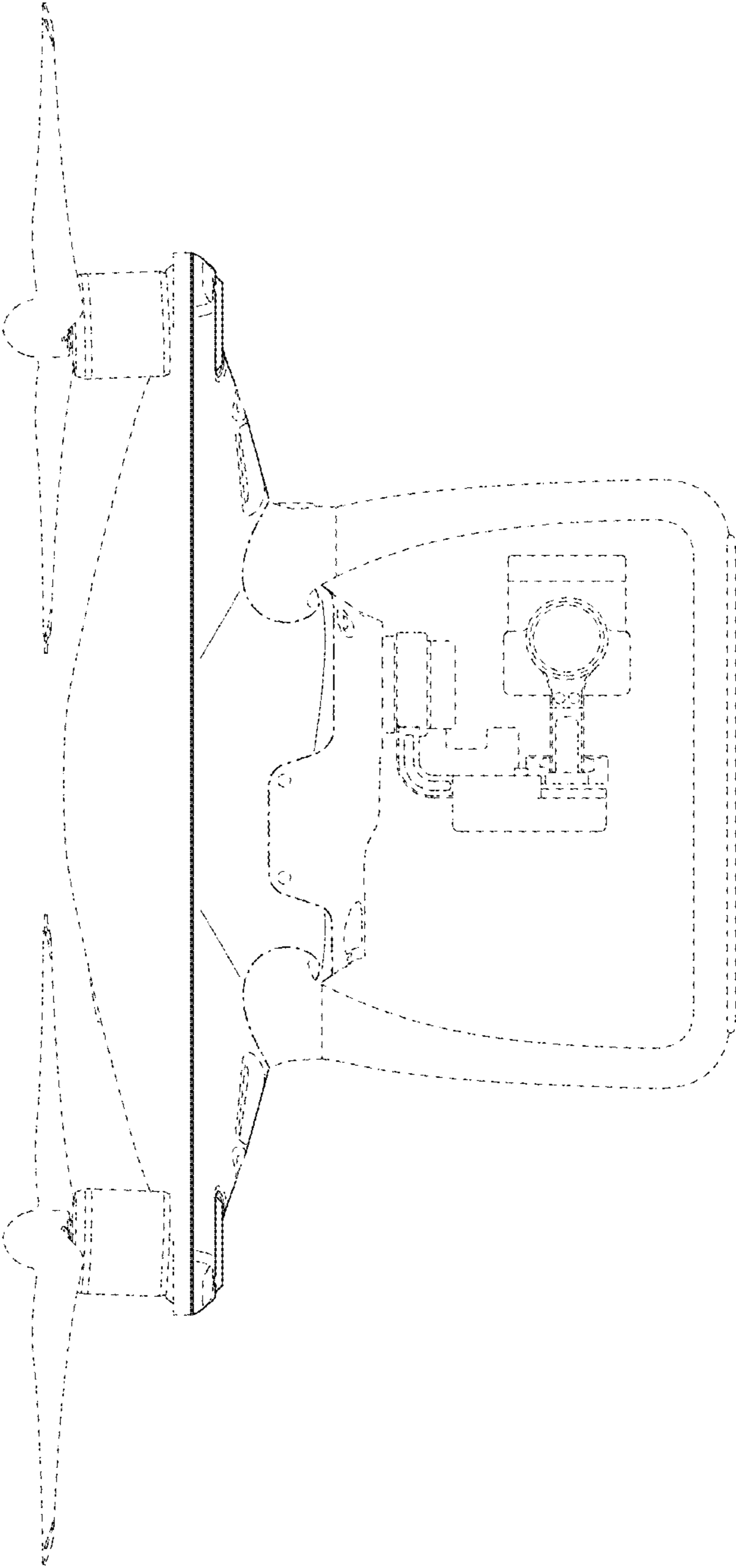


FIG. 6



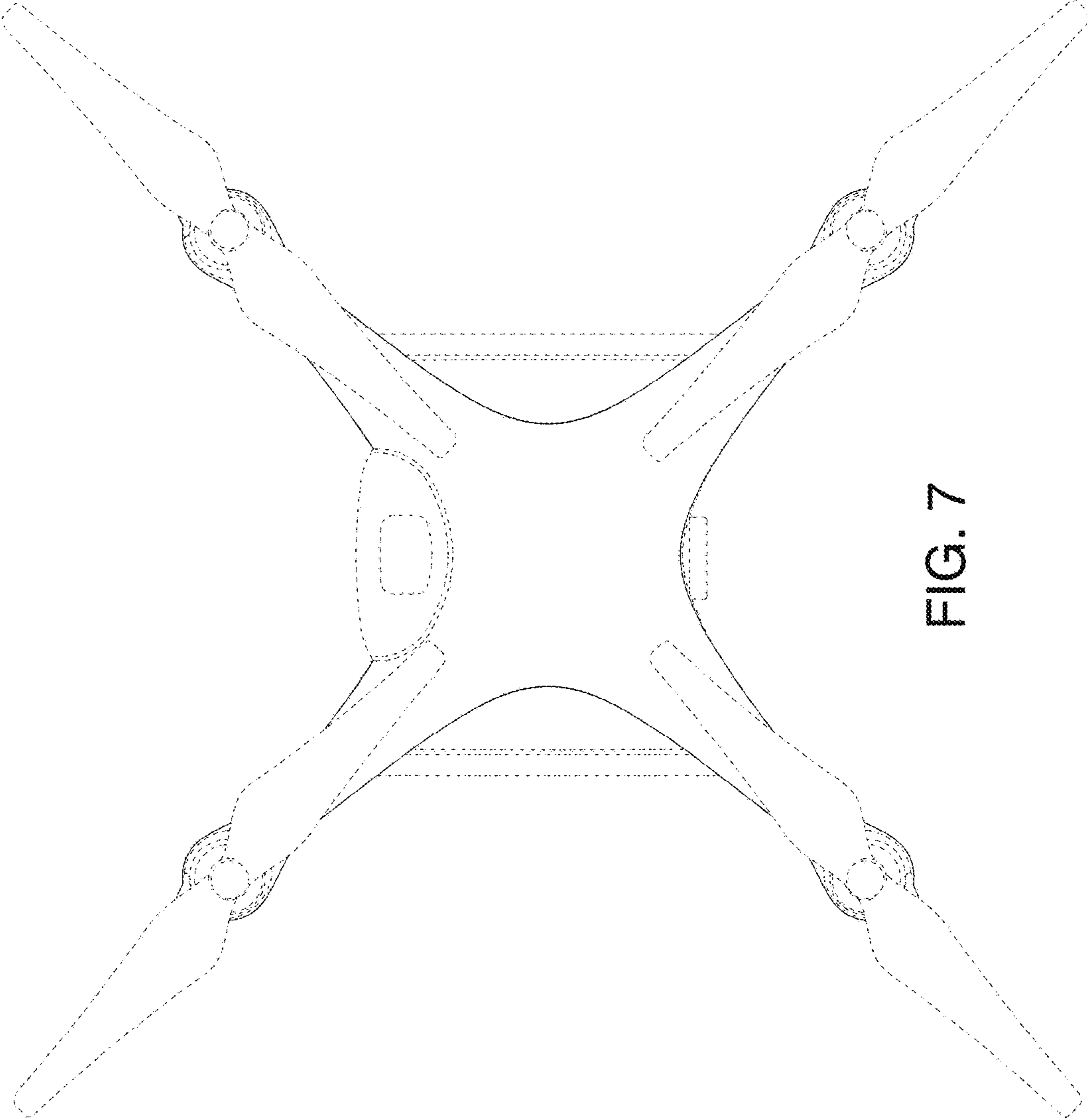


FIG. 7

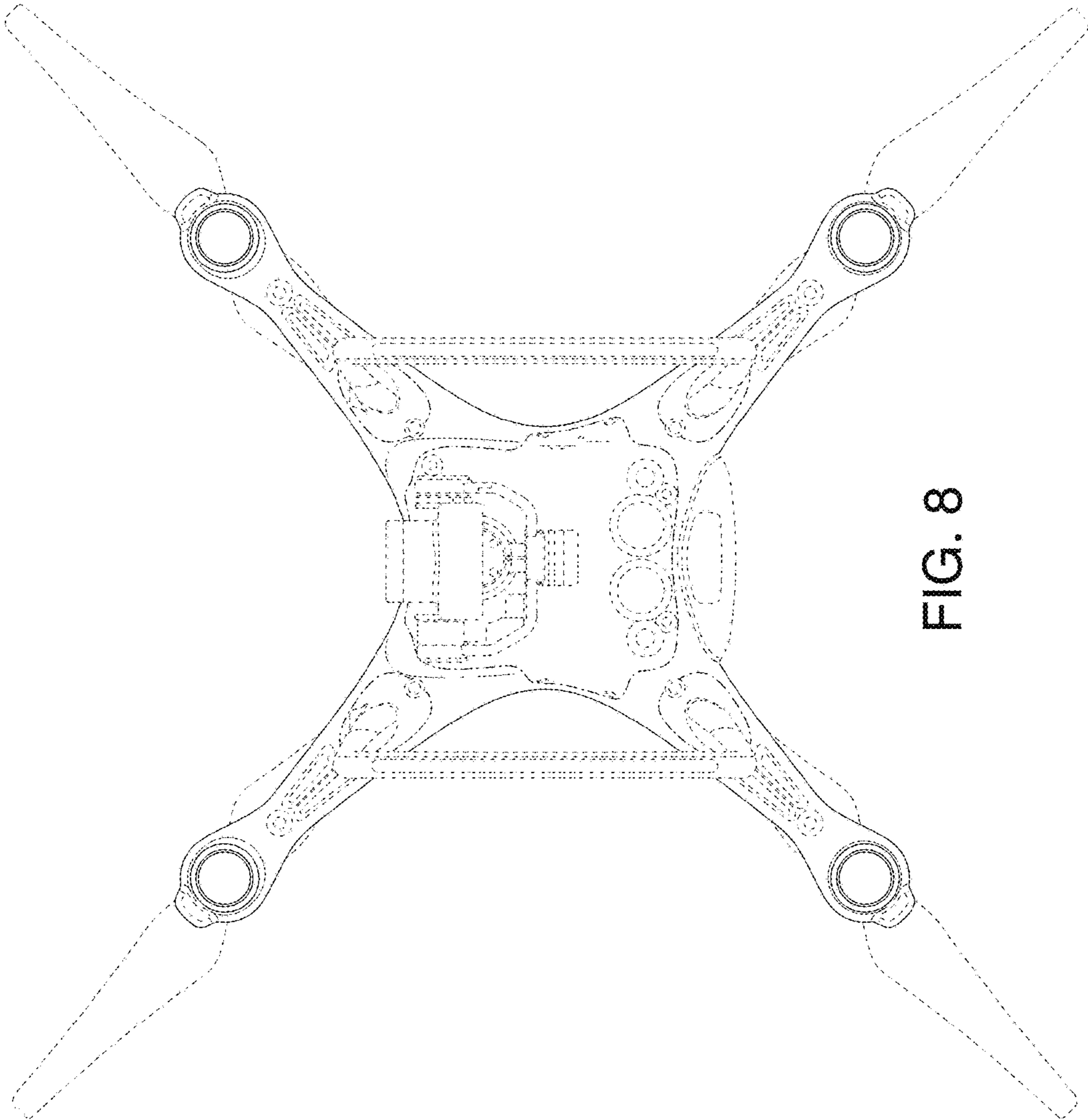


FIG. 8