



US00D803719S

(12) **United States Design Patent**
Hangartner

(10) **Patent No.:** **US D803,719 S**

(45) **Date of Patent:** **** Nov. 28, 2017**

(54) **PLANT CONTAINER**

(71) Applicant: **Arnold Hangartner**, Innsbruck (AT)

(72) Inventor: **Arnold Hangartner**, Innsbruck (AT)

(**) Term: **15 Years**

(21) Appl. No.: **29/551,661**

(22) Filed: **Jan. 15, 2016**

(51) **LOC (10) Cl.** **11-02**

(52) **U.S. Cl.**
USPC **D11/143**

(58) **Field of Classification Search**
USPC D6/403–405, 556–558, 675, 683, 708.16,
D6/708.2; D9/428, 545, 643;
D11/143–156, 143–156, 164; D7/701
CPC . A01G 9/00; A01G 9/02; A01G 9/028; A01G
9/04; A01G 9/042; A01G 9/045; A01G
9/10; A01G 27/005; A01G 27/006; A01G
27/02; A01G 31/00; A01G 31/001; A01G
31/02; A01G 7/045
See application file for complete search history.

(56) **References Cited**

U.S. PATENT DOCUMENTS

185,468 A * 12/1876 Archer B65D 85/505
47/41.01

500,469 A * 6/1893 Burbank A45F 5/08
24/6

532,687 A * 1/1895 Mulhaupt A01G 9/104
206/423

770,461 A * 9/1904 Haggerty A01G 13/0243
47/32.4

1,171,337 A * 2/1916 Hayward B65D 85/505
47/41.01

1,226,101 A * 5/1917 Marsden A47G 7/044
211/85.18

D61,571 S * 10/1922 Haines D1/115

1,543,174 A * 6/1925 Mattson A47J 43/28
229/4.5

1,952,597 A * 3/1934 Lizzola A01G 29/00
47/79

1,993,631 A * 3/1935 Smith A01G 9/022
47/83

D103,930 S * 4/1937 Freeman, Jr. D11/152

D130,580 S * 12/1941 Fuerst et al. D11/149

D132,692 S * 6/1942 Sawyer D11/149

D138,786 S * 9/1944 Thienhaus D11/149

D140,671 S * 3/1945 Pascal D3/10

3,047,185 A * 7/1962 Lewis B65F 1/141
211/4

3,153,546 A * 10/1964 Dunn F16L 59/11
138/149

3,314,531 A * 4/1967 Cheris B65D 77/042
206/391

3,692,469 A * 9/1972 Peace A01N 31/10
118/401

D238,132 S * 12/1975 Stevens 47/67

4,355,485 A * 10/1982 Frank A01G 9/023
47/82

(Continued)

Primary Examiner — Elizabeth Albert
(74) *Attorney, Agent, or Firm* — Wenderoth, Lind &
Ponack, L.L.P.

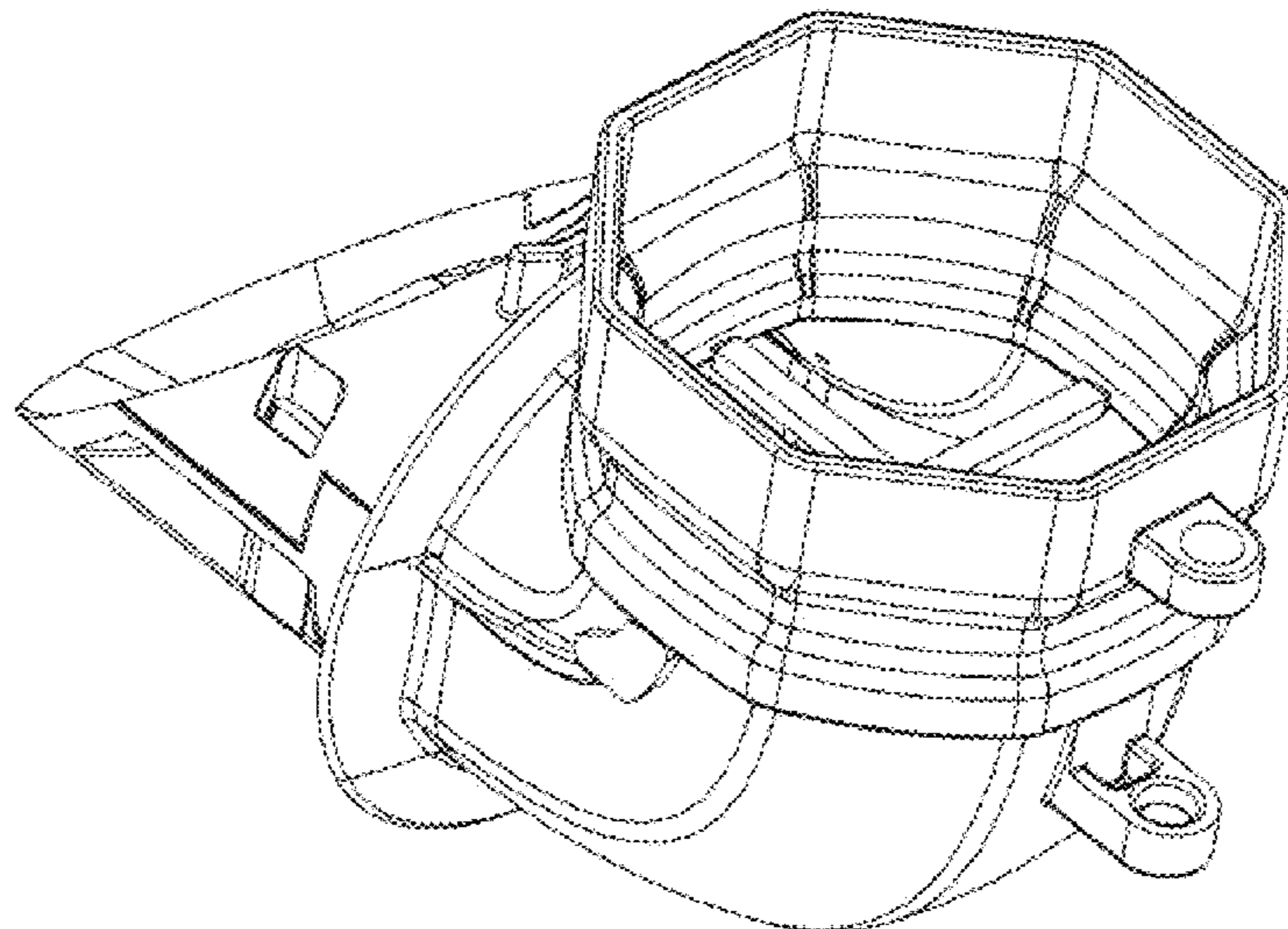
(57) **CLAIM**

The ornamental design for a plant container, as shown and described.

DESCRIPTION

FIG. 1 is a perspective view of the plant container showing my new design;
FIG. 2 is a front view thereof;
FIG. 3 is a top view thereof;
FIG. 4 is a back view thereof;
FIG. 5 is a left side view thereof;
FIG. 6 is a right side view thereof; and,
FIG. 7 is a bottom view thereof.

1 Claim, 7 Drawing Sheets



(56)

References Cited

U.S. PATENT DOCUMENTS

- 4,461,118 A * 7/1984 Fertig A47G 7/07
428/23
5,345,711 A * 9/1994 Friesner A01G 13/0243
47/23.2
5,390,790 A * 2/1995 Straub B65D 85/04
206/395
D357,209 S * 4/1995 Dukas D11/143
D365,041 S * 12/1995 Dollinger D11/146
D376,714 S * 12/1996 Dallimore D11/152
D445,722 S * 7/2001 Davenport D11/152
D446,156 S * 8/2001 Davenport D11/152
D446,472 S * 8/2001 Davenport D11/152
D500,703 S * 1/2005 Giampavolo D11/146
7,140,149 B2 * 11/2006 Searle A01G 9/02
220/23.4
D580,679 S * 11/2008 Broel D6/405
8,336,923 B2 * 12/2012 Vautour F16L 9/22
285/179
D684,023 S * 6/2013 Sikes D8/1
D699,148 S * 2/2014 Murr D11/143
D725,976 S * 4/2015 Sikes D8/1
D745,328 S * 12/2015 Magri D1/105
9,271,452 B2 * 3/2016 Sung A01G 9/025
9,374,953 B2 * 6/2016 Martin A01G 31/06
9,474,214 B2 * 10/2016 Cudmore A01G 9/023
D772,100 S * 11/2016 Shin D11/143
9,643,311 B1 * 5/2017 Cowie B25G 1/04
2003/0192945 A1 * 10/2003 Quaintance B65D 5/029
229/109
2016/0296403 A1 * 10/2016 Brewer A61G 17/0073

* cited by examiner

Fig. 1

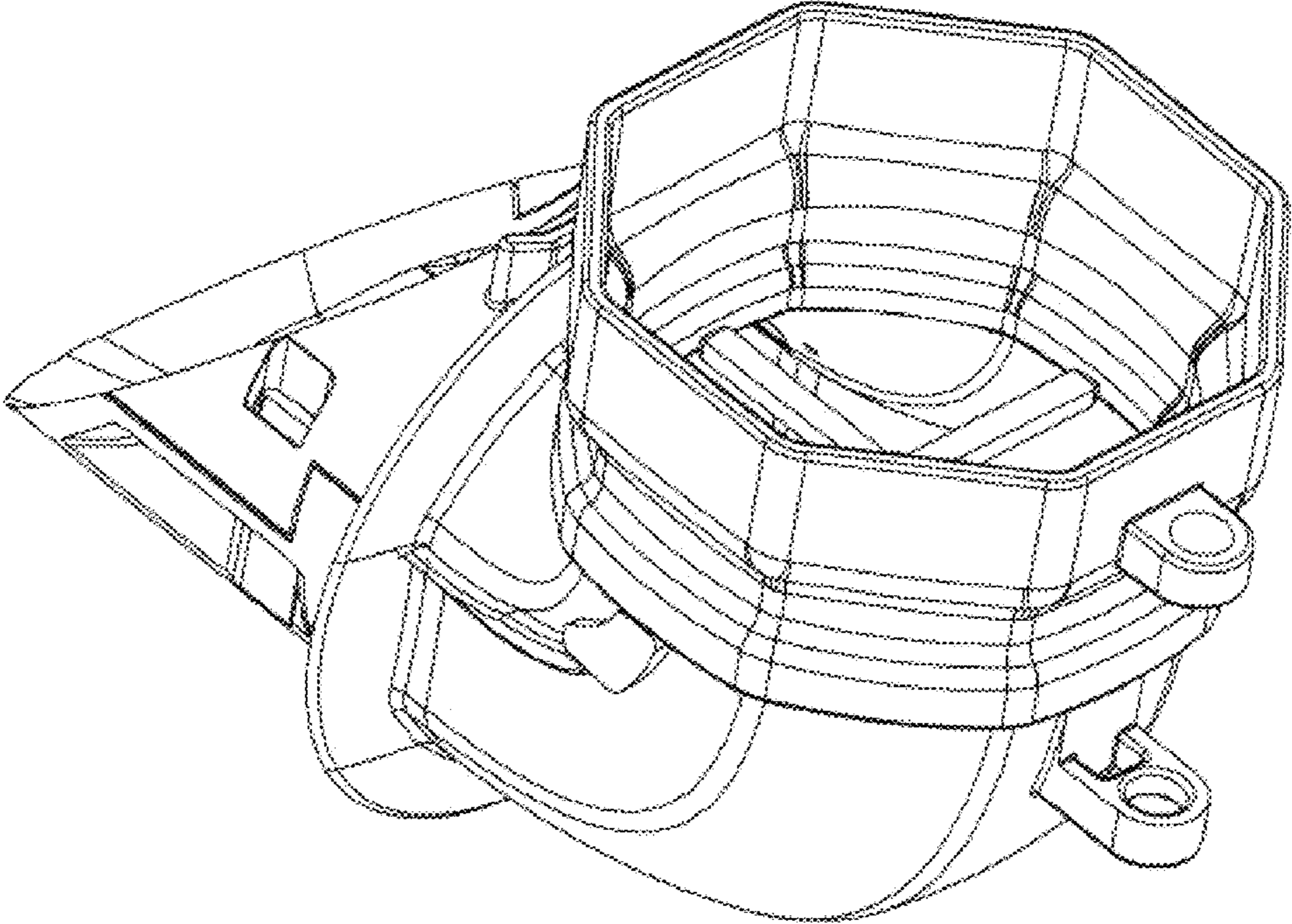


Fig. 2

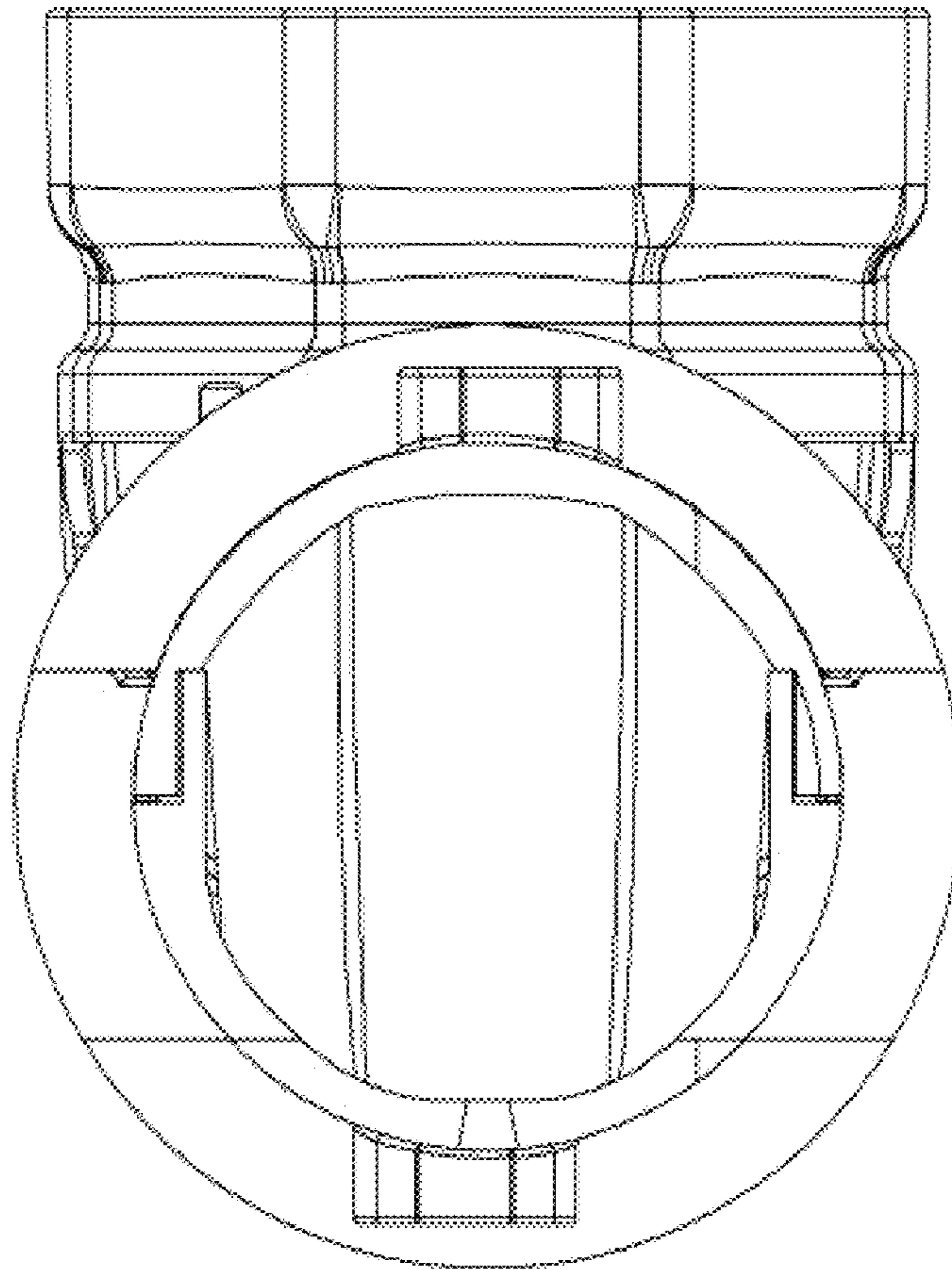


Fig. 3

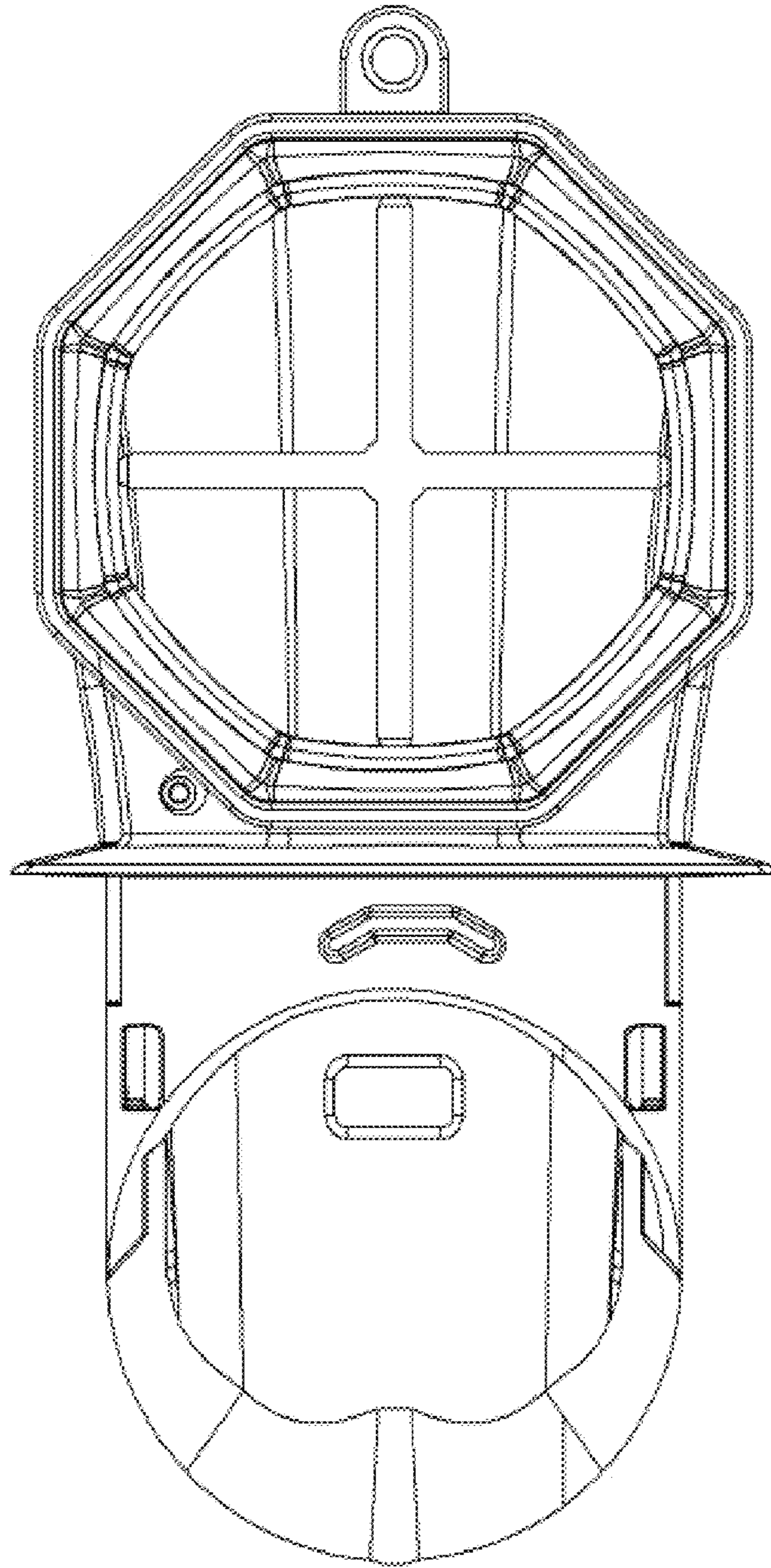


Fig. 4

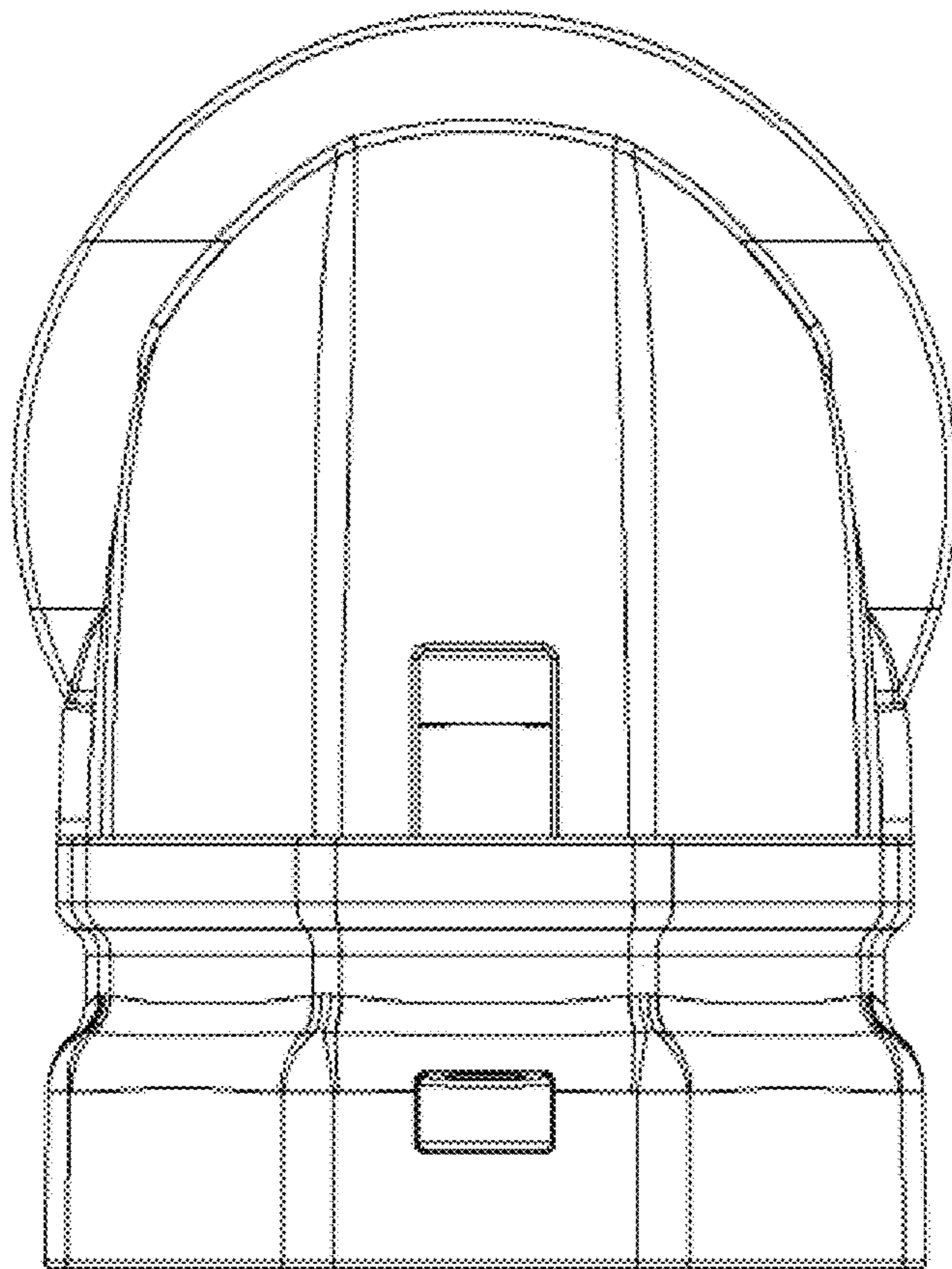


Fig. 5

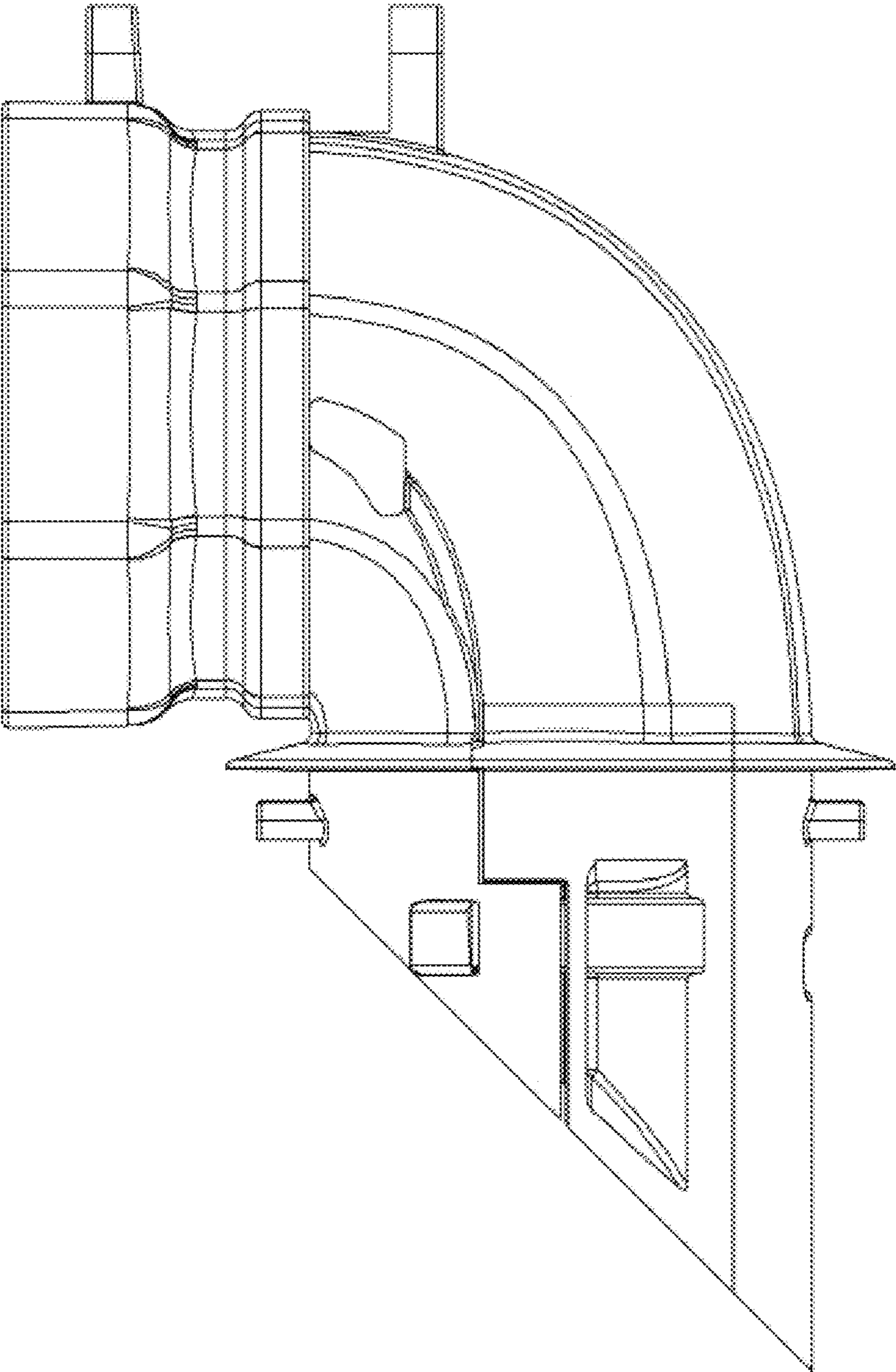


Fig. 6

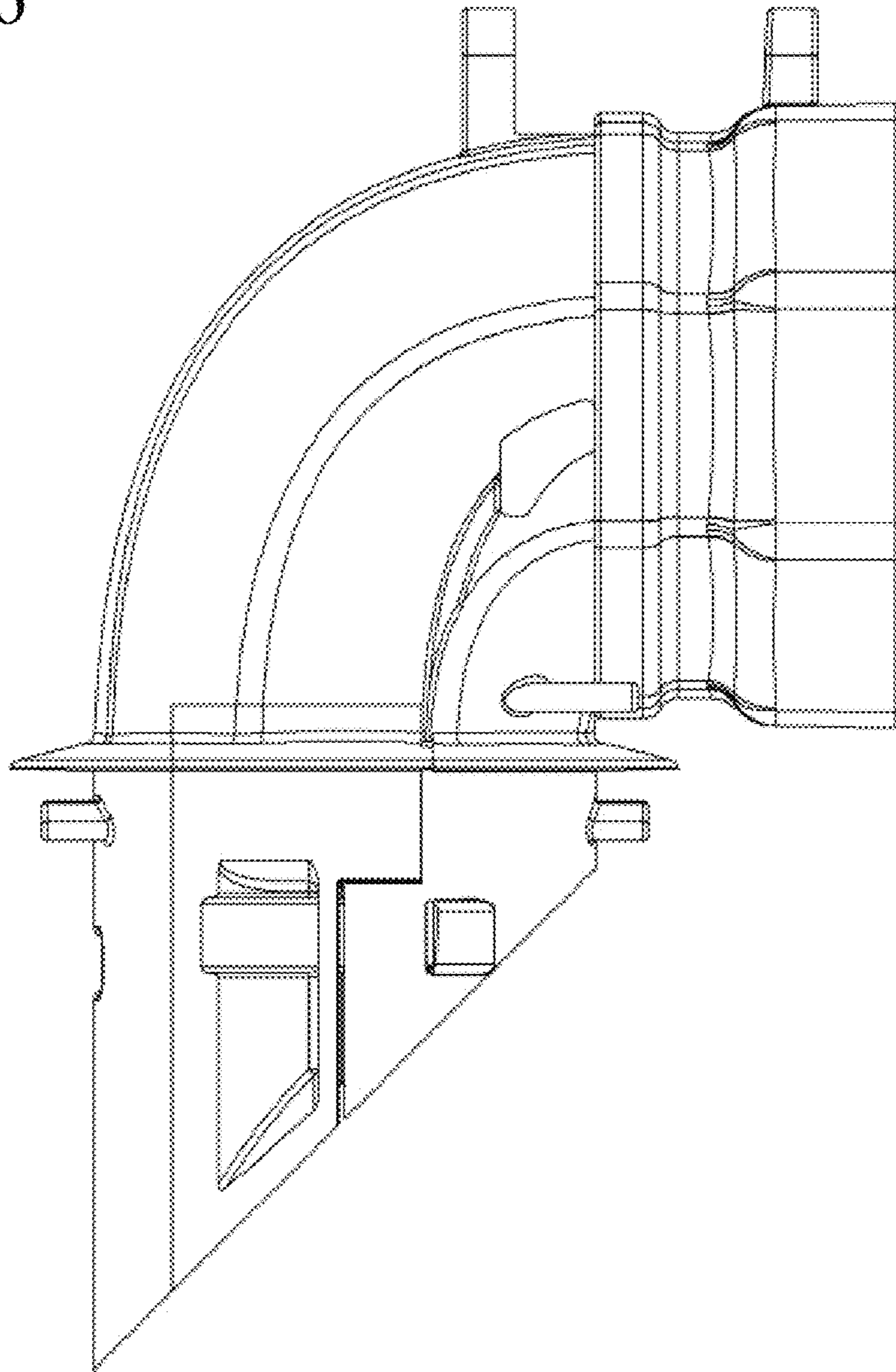


Fig. 7

