



US00D803716S

(12) **United States Design Patent** (10) **Patent No.:** **US D803,716 S**  
**Grainger** (45) **Date of Patent:** **\*\* Nov. 28, 2017**

(54) **NOTCHED CHAMBER ASSEMBLY FOR JEWELRY**

(71) Applicant: **Geneva Grainger**, Austin, TX (US)

(72) Inventor: **Geneva Grainger**, Austin, TX (US)

(\*\*) Term: **15 Years**

(21) Appl. No.: **29/566,799**

(22) Filed: **Jun. 2, 2016**

(51) **LOC (10) Cl.** ..... **11-01**

(52) **U.S. Cl.**  
USPC ..... **D11/86**

(58) **Field of Classification Search**

USPC ..... D11/1, 2, 86; D3/203.1, 203.2, 203.6,  
D3/212, 215, 229, 316, 901; 63/3, 3.1,  
63/12-14.9, 18-20  
CPC ..... A45D 40/222; A45D 2040/0012; A45C  
11/16; B65D 25/108; B65D 43/22; B65D  
43/18

See application file for complete search history.

(56) **References Cited**

**U.S. PATENT DOCUMENTS**

65,579 A \* 6/1867 Ladd ..... G04B 37/0008  
29/896.33  
692,650 A \* 2/1902 Fisher ..... B65D 50/045  
206/1.5  
1,075,529 A \* 10/1913 Willemin ..... A44C 25/004  
63/19  
D61,702 S \* 12/1922 Harrold ..... D11/2  
D155,559 S \* 10/1949 Tillmann ..... D3/203.2  
D238,756 S \* 2/1976 Swett ..... D28/78  
4,435,963 A \* 3/1984 Shigeru ..... A44C 3/00  
220/319

(Continued)

**OTHER PUBLICATIONS**

30mm Round Floating Charm Locket, posted at amazon.com,  
posting date Jan. 12, 2014, © 1996-2017, Amazon.com, Inc.,

[online], [site visited Apr. 6, 2017]. Available from Internet, <URL:  
[https://www.amazon.com/  
FloatingChrystalNecklaceSilvertoneMagnetic/dp/  
B00HTFO08C](https://www.amazon.com/FloatingChrystalNecklaceSilvertoneMagnetic/dp/B00HTFO08C)>.\*

(Continued)

*Primary Examiner* — George D Kirschbaum

*Assistant Examiner* — Maria Edwards

(74) *Attorney, Agent, or Firm* — Andrew W. Chu; Craft  
Chu PLLC

(57) **CLAIM**

The ornamental design for a notched chamber assembly for jewelry, as shown and described.

**DESCRIPTION**

FIG. 1 is an upper perspective view of the notched chamber assembly for jewelry showing my design mounted in a jewelry body as a ring in broken lines.

FIG. 2 is a top plan view thereof;

FIG. 3 is a bottom plan view thereof;

FIG. 4 is an exploded perspective view thereof;

FIG. 5 is another upper perspective view thereof, showing a different jewelry body as a different ring and different closure with a different notch orientation in broken lines;

FIG. 6 is another top plan view thereof, showing another different jewelry body as a pendant with another different notch orientation in broken lines;

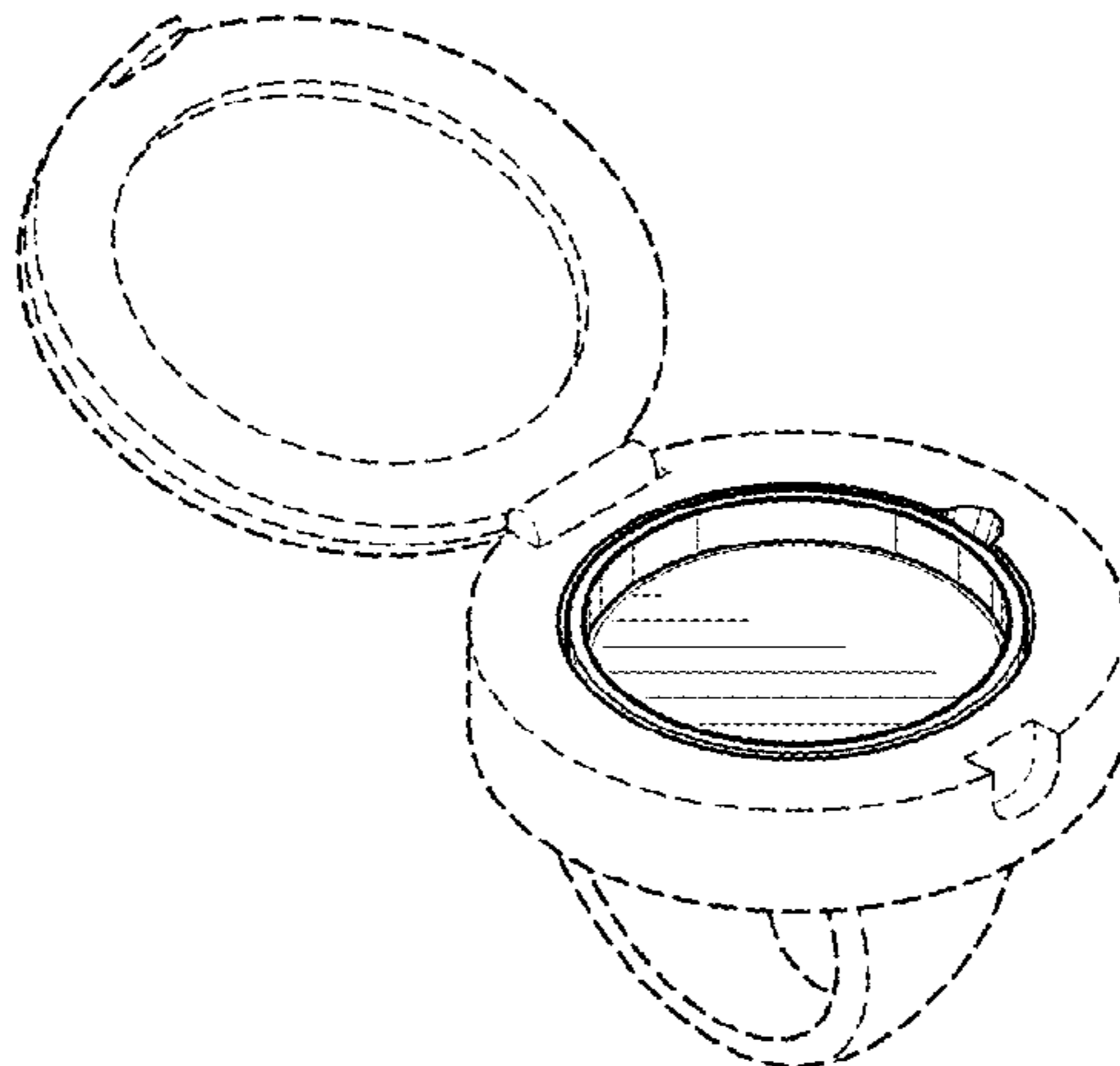
FIG. 7 is still another upper perspective view thereof, showing still another different jewelry body as a bracelet with still another different closure and still another different notch orientation in broken lines;

FIG. 8 is yet another upper perspective view thereof, showing yet another different jewelry body as a key chain with yet another different closure and yet another different notch orientation in broken lines; and,

FIG. 9 is an upper perspective view thereof, showing a jewelry body as a compact in broken lines.

Features and portions in broken lines are presented for illustrative purposes and form no part of the claimed design.

**1 Claim, 3 Drawing Sheets**



(56)

**References Cited**

U.S. PATENT DOCUMENTS

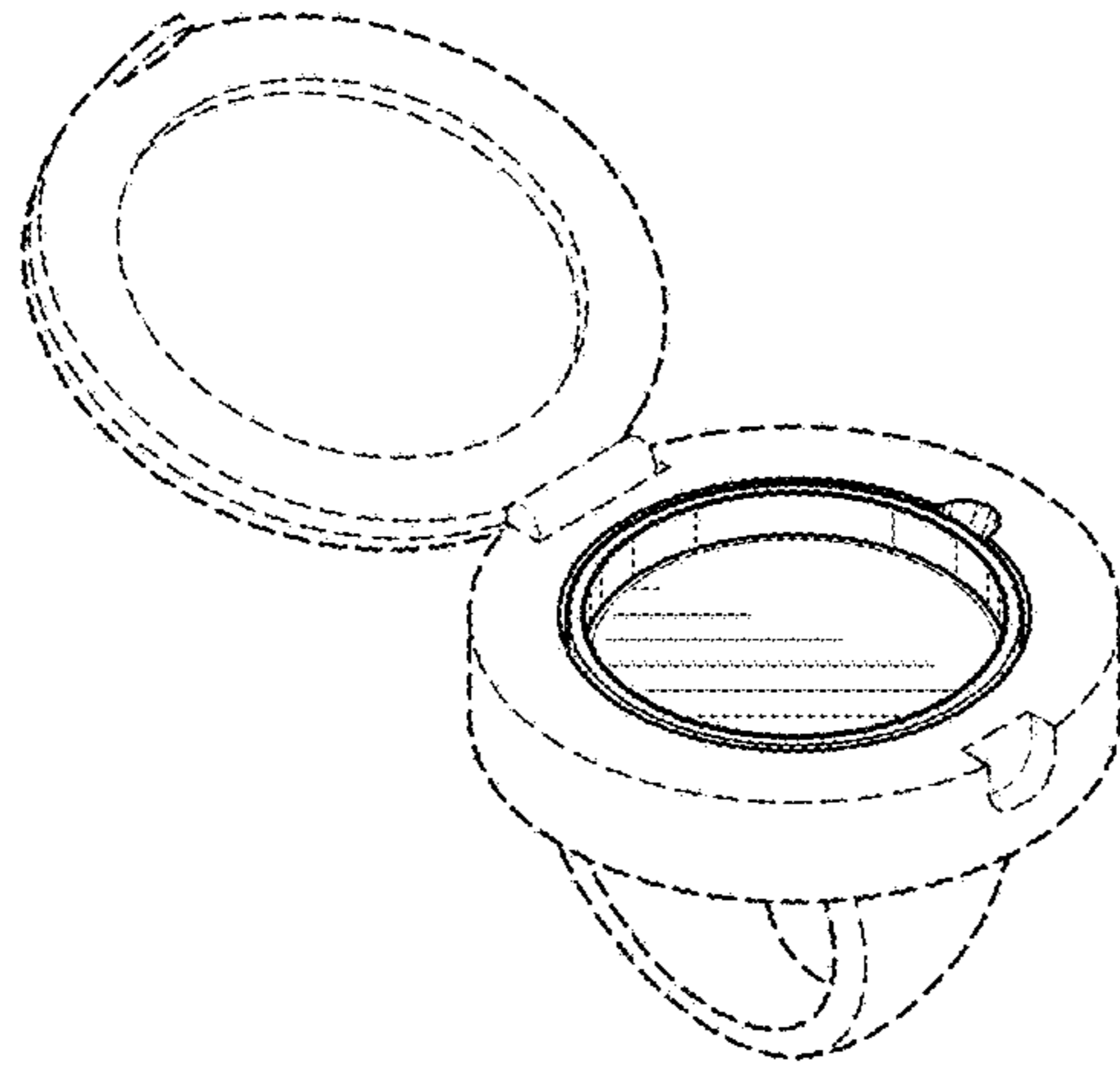
5,165,603 A \* 11/1992 Hahn ..... A45D 40/0068  
 206/823  
 5,414,948 A \* 5/1995 Kudo ..... G09F 3/207  
 40/651  
 D372,863 S \* 8/1996 Gatewood ..... D3/203.2  
 6,070,749 A \* 6/2000 Joulia ..... A45D 40/222  
 132/294  
 6,935,507 B1 \* 8/2005 Mecca ..... A45D 40/222  
 132/295  
 D603,703 S \* 11/2009 Daggett ..... B65D 43/161  
 D9/449  
 D621,603 S \* 8/2010 Traylor ..... D3/203.2  
 7,779,517 B1 8/2010 Stewart  
 D635,885 S 4/2011 Humphries  
 D676,324 S 2/2013 DeMarco  
 8,464,730 B1 6/2013 Eng et al.  
 D703,089 S 4/2014 Grainger  
 9,220,332 B1 \* 12/2015 DeVito ..... A45D 33/006

2004/0173498 A1\* 9/2004 Lee ..... A45D 42/04  
 206/581  
 2011/0266297 A1\* 11/2011 Thorpe ..... A45C 13/008  
 220/831  
 2015/0216285 A1\* 8/2015 Grainger ..... A45D 40/18  
 206/581  
 2015/0272296 A1\* 10/2015 De Luigi ..... A45D 33/18  
 206/457  
 2016/0157585 A1\* 6/2016 Kang ..... A45D 33/006  
 220/259.2  
 2017/0086560 A1\* 3/2017 Pires ..... A45D 33/32

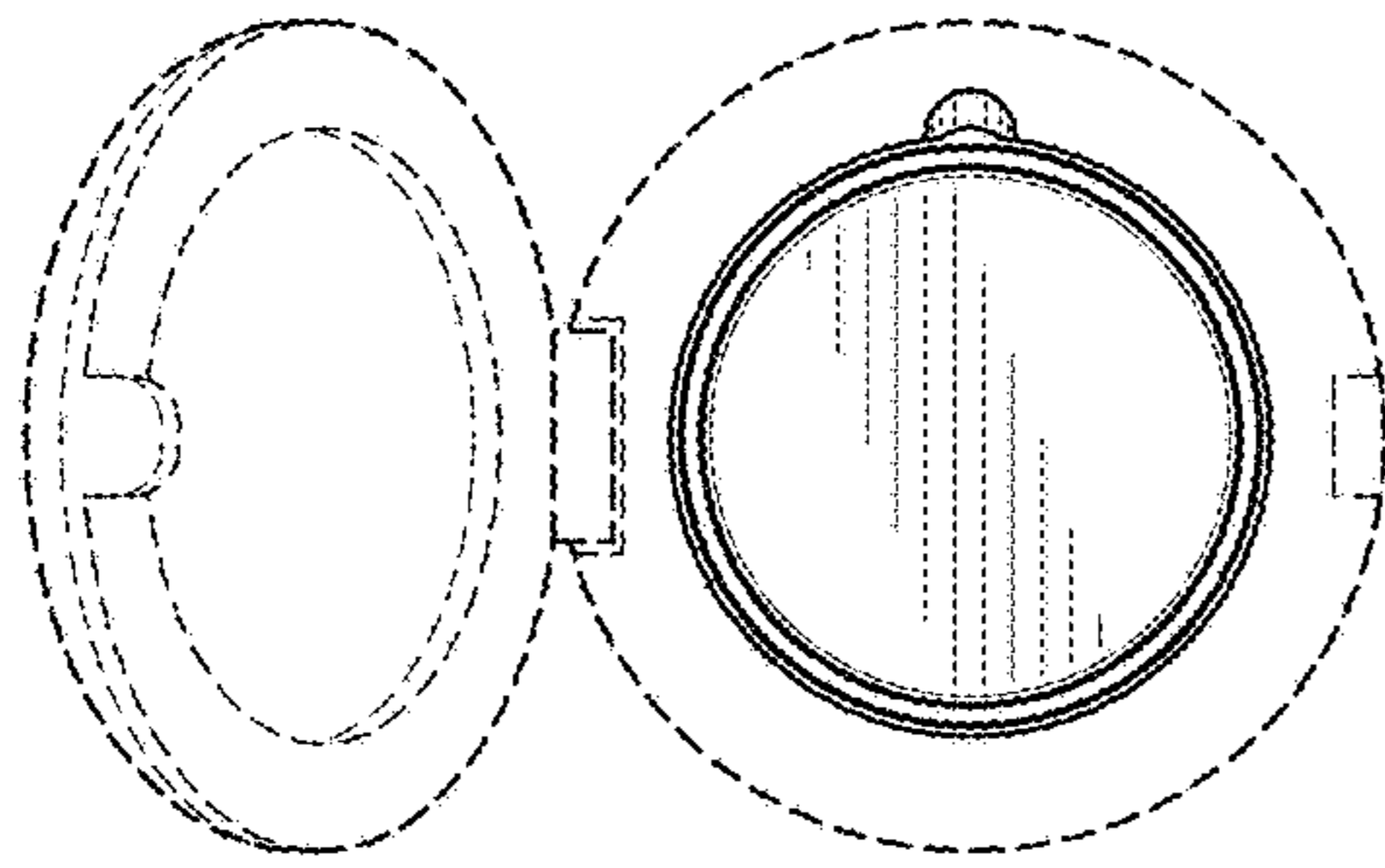
OTHER PUBLICATIONS

Stainless Steel Cremation Floating Locket, posted at etsy.com, posting date not given, © 2017 Etsy, Inc., [online], [site visited Apr. 6, 2017]. Available from Internet, <URL: <https://www.etsy.com/listing/279041970/stainlesssteelcremationfloating?ref=market>>.\*

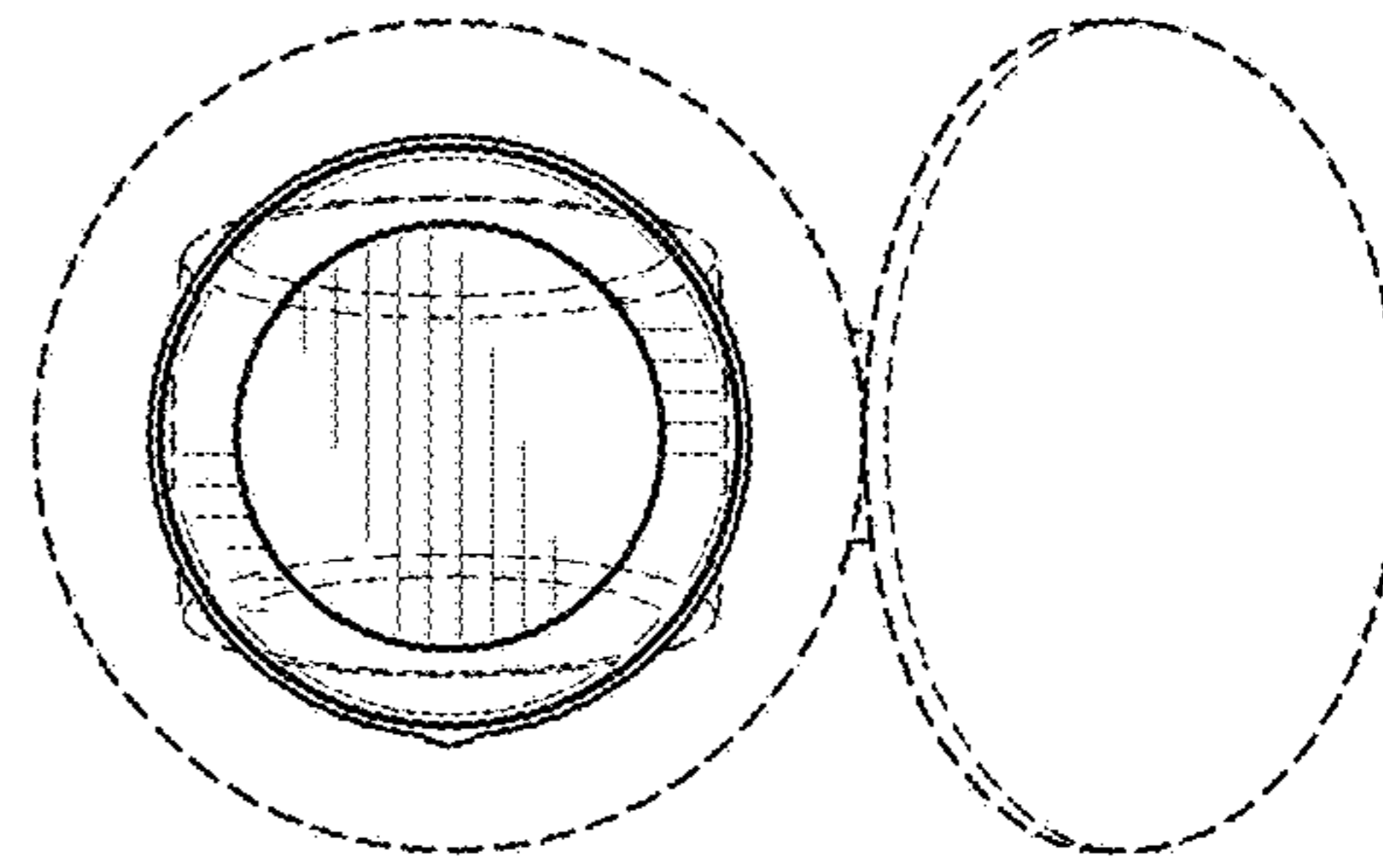
\* cited by examiner



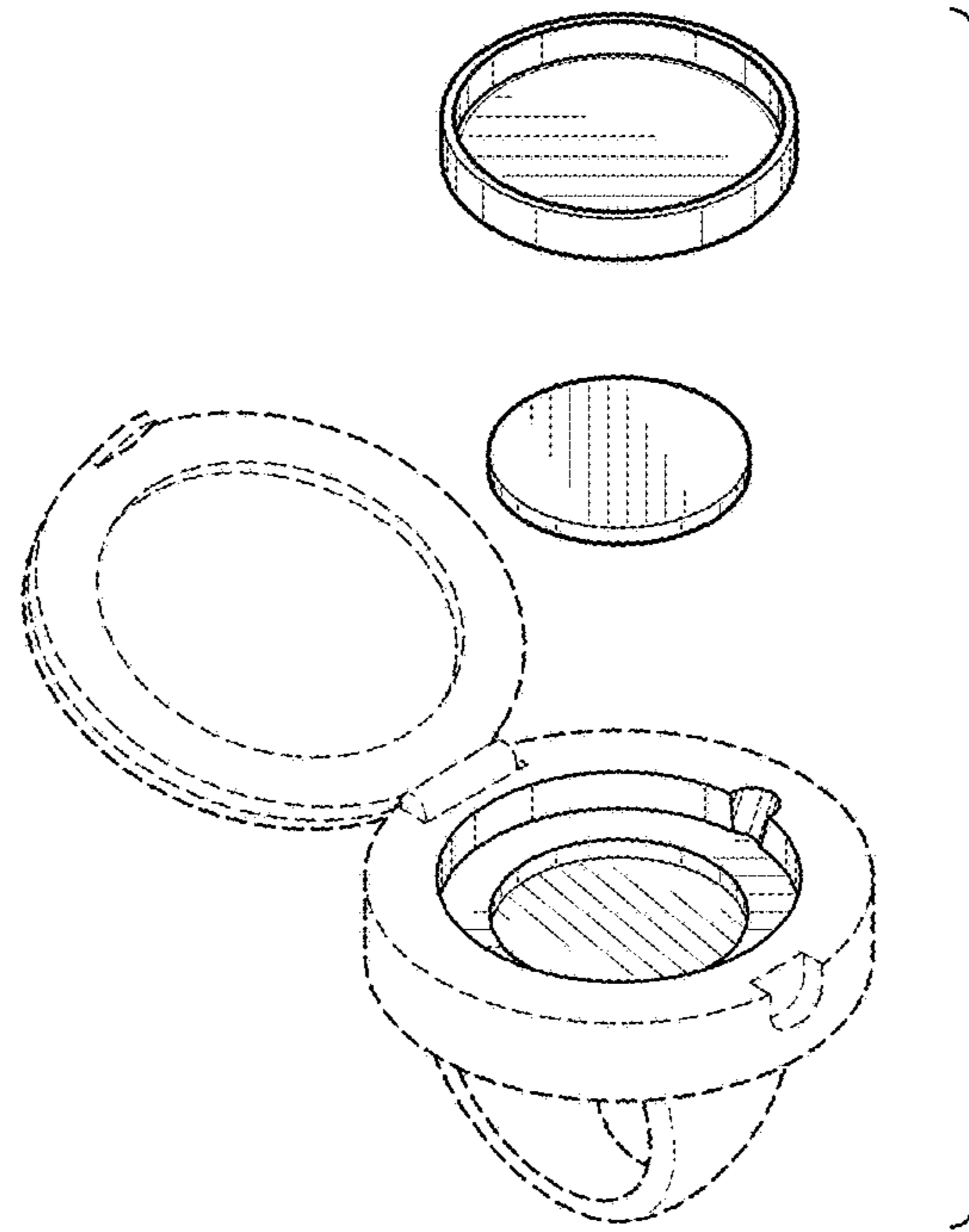
**FIG. 1**



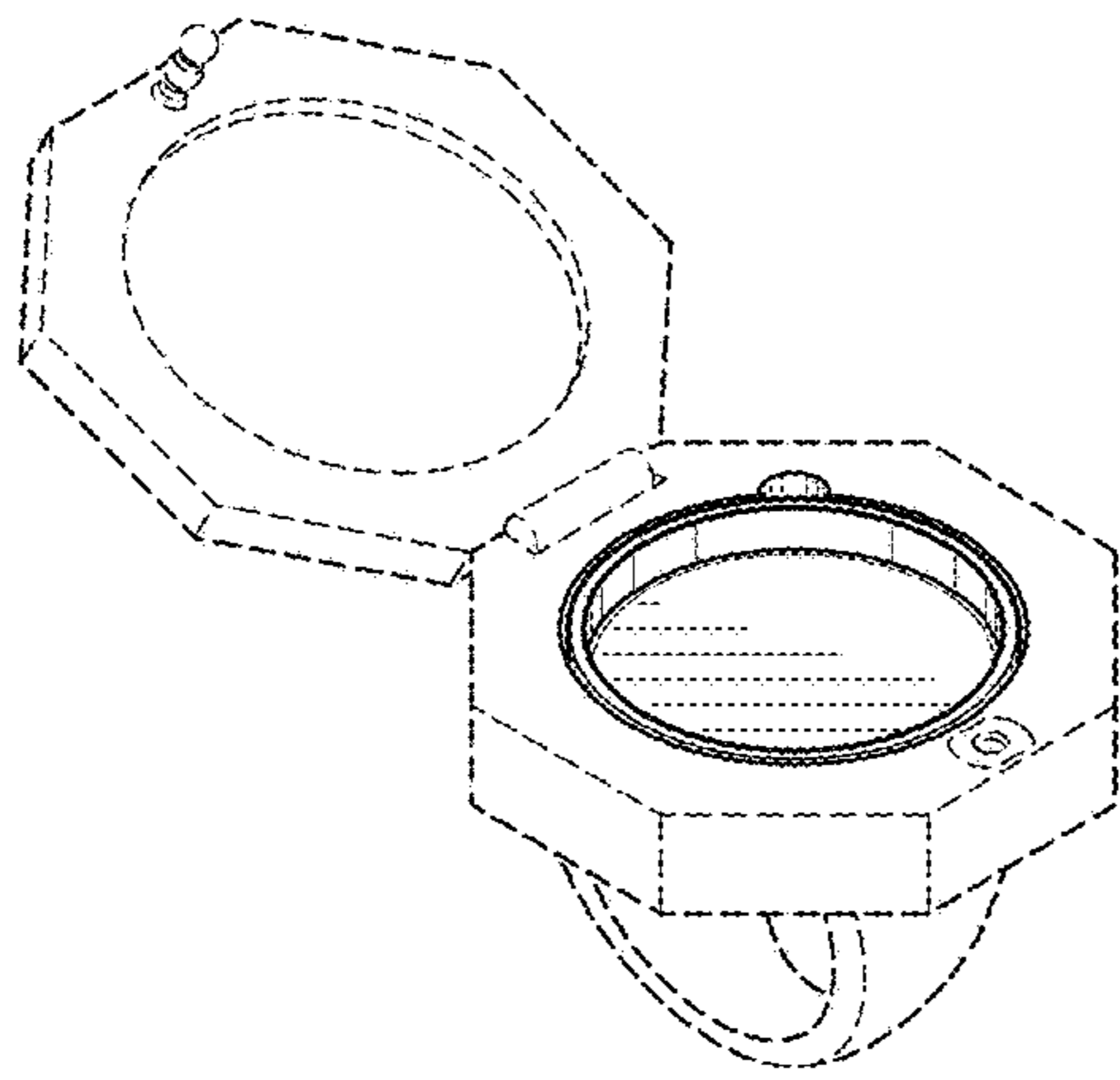
**FIG. 2**



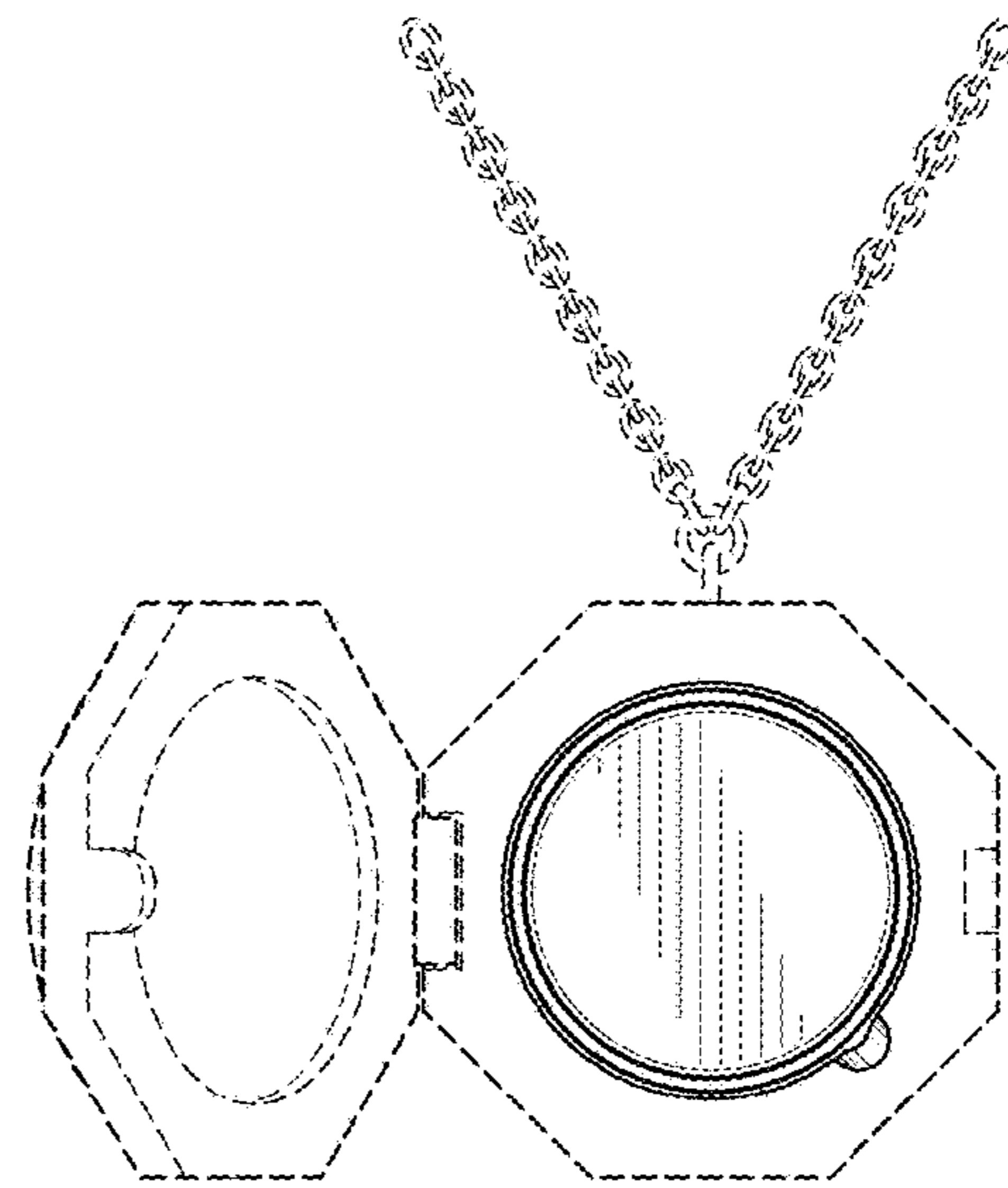
**FIG. 3**



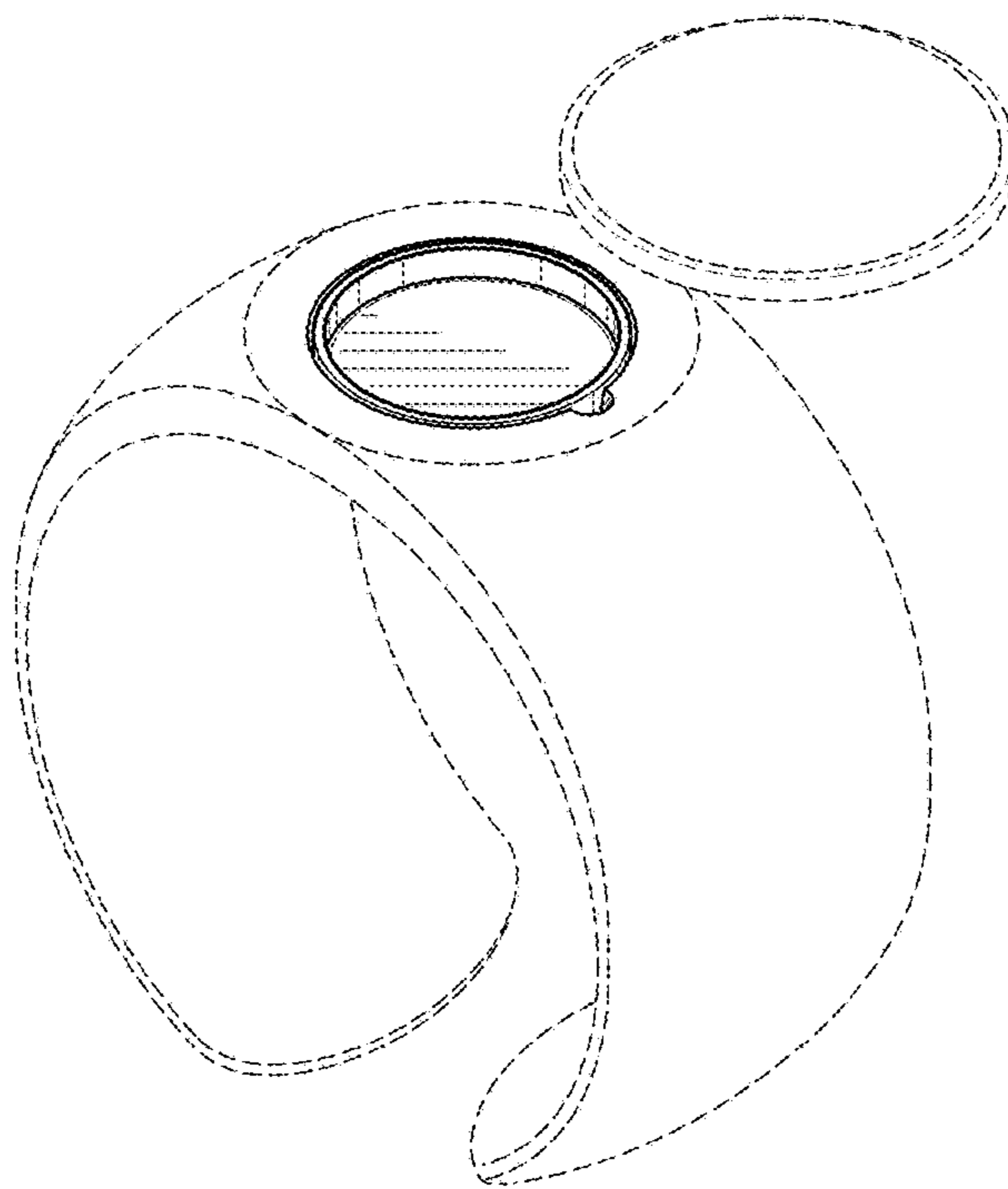
**FIG. 4**



**FIG. 5**



**FIG. 6**



**FIG. 7**

