



US00D803711S

(12) **United States Design Patent**
Jost et al.

(10) **Patent No.:** **US D803,711 S**

(45) **Date of Patent:** **** Nov. 28, 2017**

- (54) **MEASURING TAPE**
- (71) Applicant: **Klein Tools, Inc.**, Lincolnshire, IL (US)
- (72) Inventors: **Gerhard A. Jost**, Antioch, IL (US);
David W. Mueller, Lake Zurich, IL (US)
- (73) Assignee: **Klein Tools, Inc.**, Lincolnshire, IL (US)
- (**) Term: **15 Years**
- (21) Appl. No.: **29/557,787**
- (22) Filed: **Mar. 11, 2016**
- (51) **LOC (10) Cl.** **10-04**
- (52) **U.S. Cl.**
USPC **D10/72**
- (58) **Field of Classification Search**
USPC D10/72
CPC G01B 3/10; G01B 3/1002; G01B 3/1041;
G01B 2003/1043; G01B 2003/1046;
G01B 2003/1048; G01B 2003/1051;
G01B 2003/1053; G01B 2003/1097;
G01B 3/1082; G01B 3/1056; G01B
3/563; G01B 3/566; G01B 3/1071; G07B
3/10
See application file for complete search history.

- 8,806,770 B2 * 8/2014 Steele G01B 3/1005
33/761
- D728,397 S * 5/2015 Kuo D10/72
- D783,430 S * 4/2017 Wortelboer D10/72

* cited by examiner

Primary Examiner — Antoine D Davis

(74) *Attorney, Agent, or Firm* — Leydig, Voit & Mayer, Ltd.

(57) **CLAIM**

The ornamental design for a measuring tape, as shown and described.

DESCRIPTION

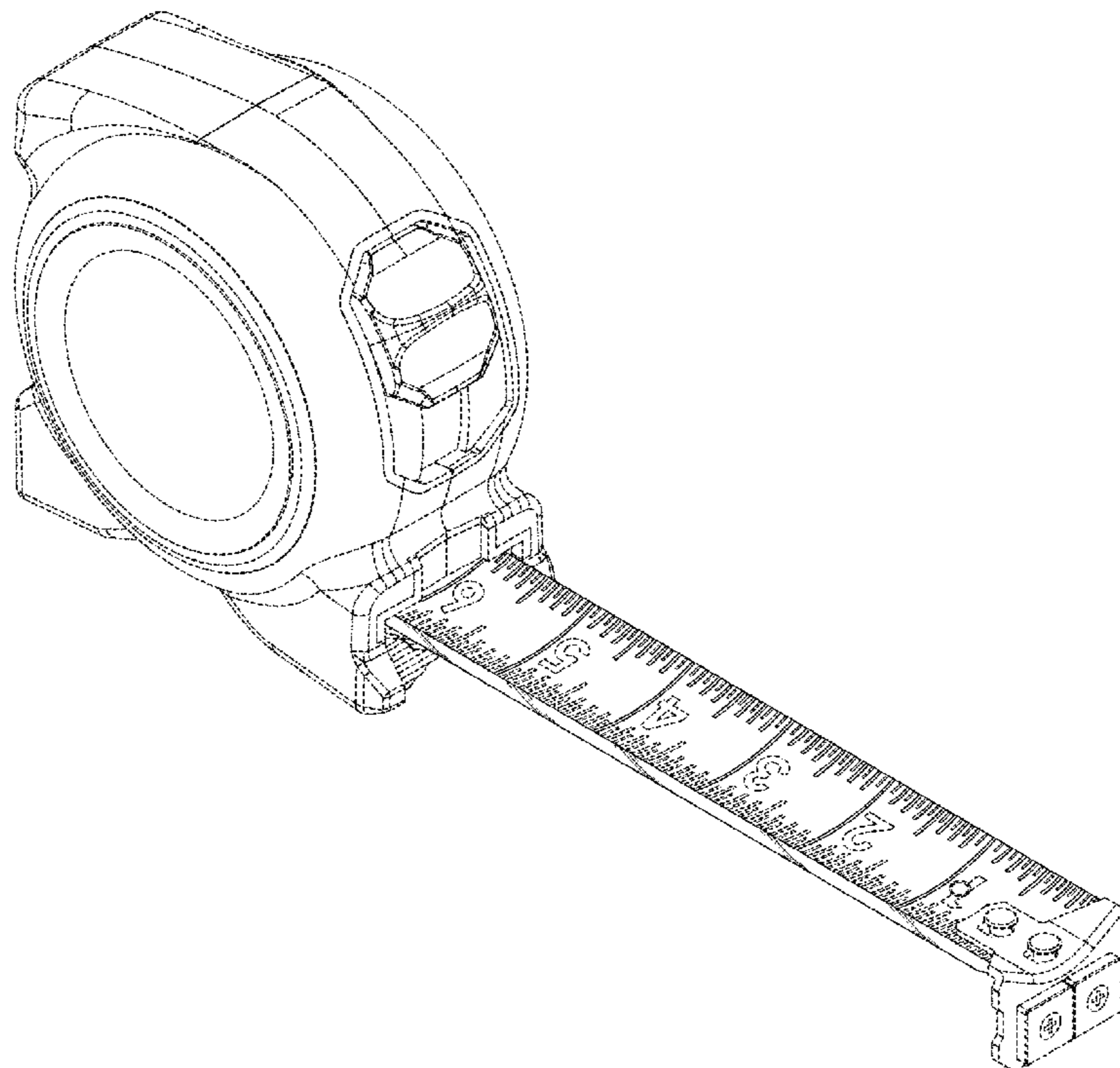
FIG. 1 is a perspective view taken from the top side of a measuring tape in accordance with our new design.
 FIG. 2 is a right side elevational view of the measuring tape of FIG. 1.
 FIG. 3 is a left side elevational view of the measuring tape of FIG. 1.
 FIG. 4 is a top elevational view of the measuring tape of FIG. 1.
 FIG. 5 is a bottom elevational view of the measuring tape of FIG. 1.
 FIG. 6 is a front elevational view of the measuring tape of FIG. 1; and,
 FIG. 7 is a rear elevational view of the measuring tape of FIG. 1.

(56) **References Cited**

U.S. PATENT DOCUMENTS

- D350,703 S * 9/1994 Fifer D10/72

1 Claim, 4 Drawing Sheets



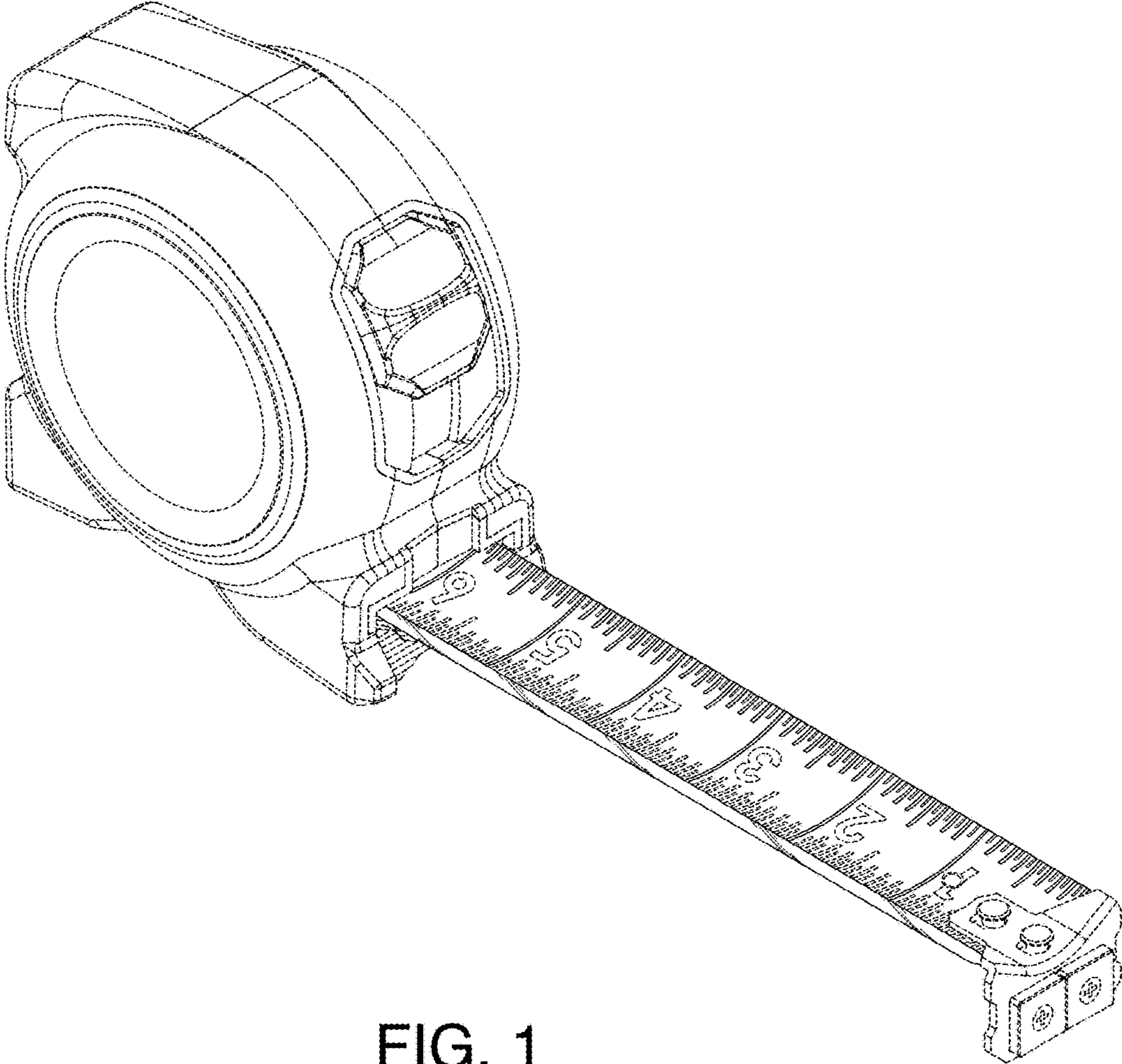


FIG. 1

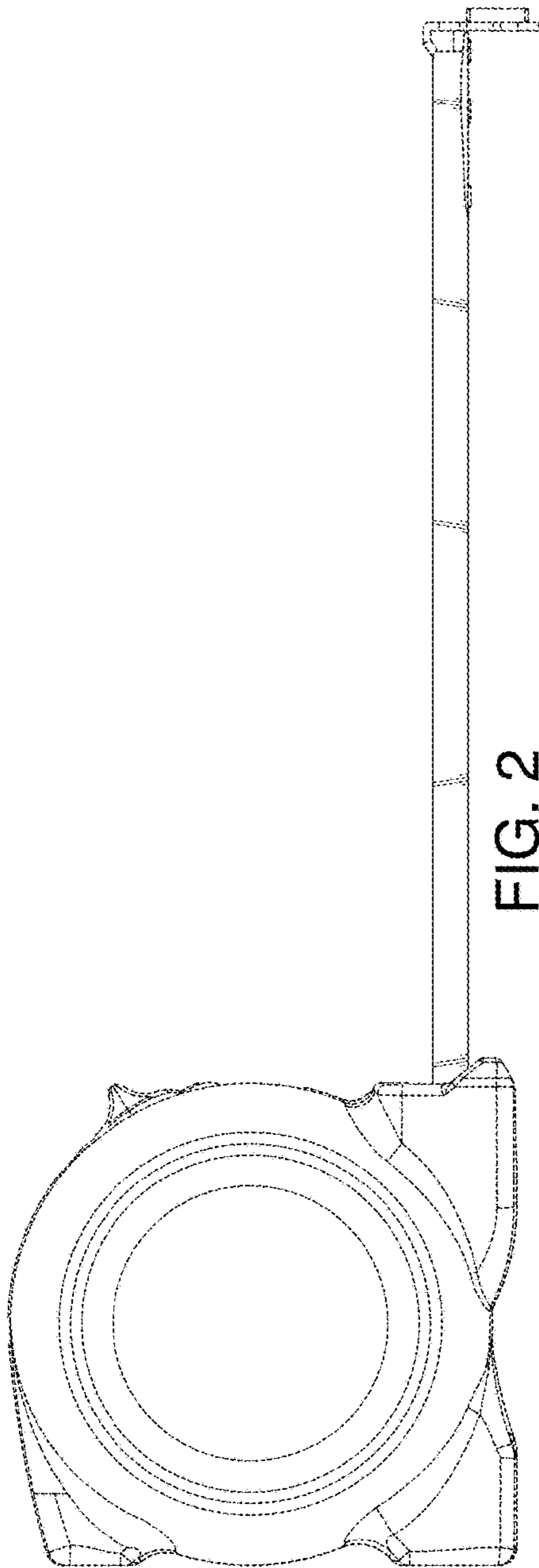


FIG. 2

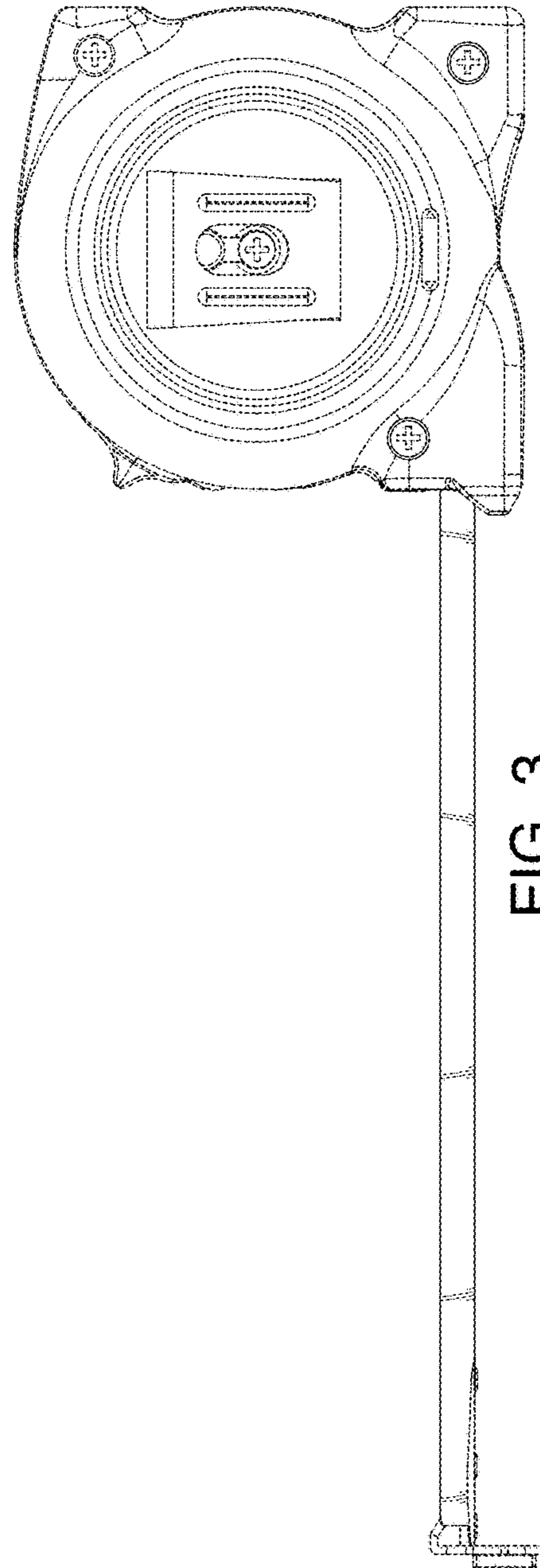


FIG. 3

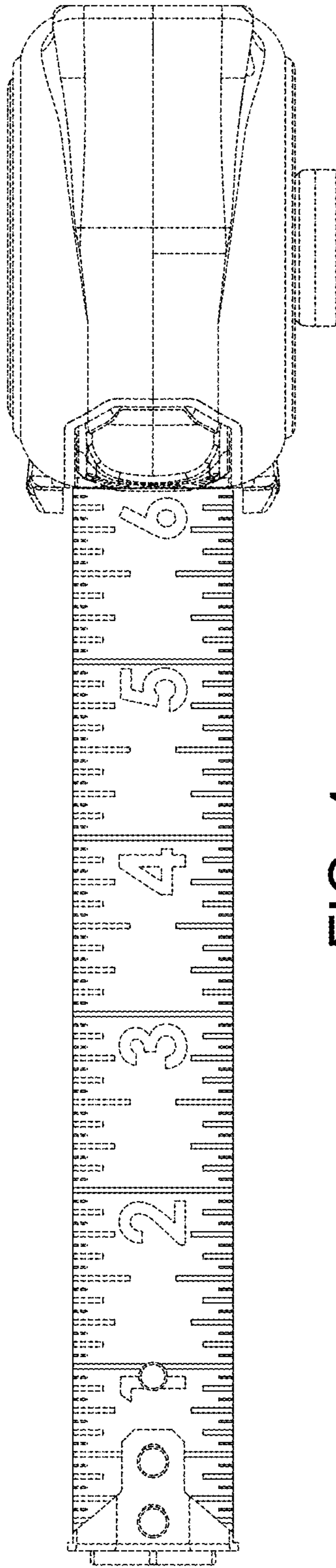


FIG. 4

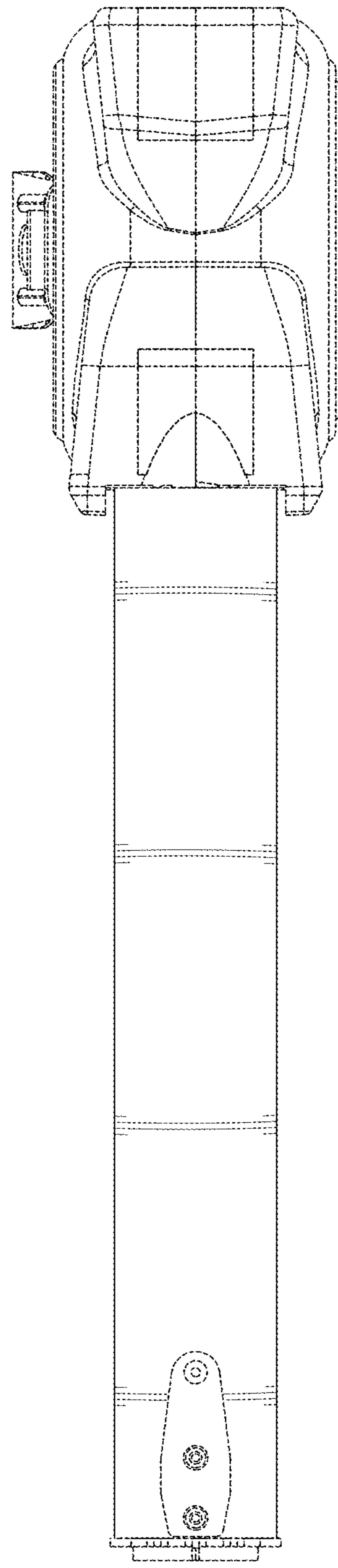


FIG. 5

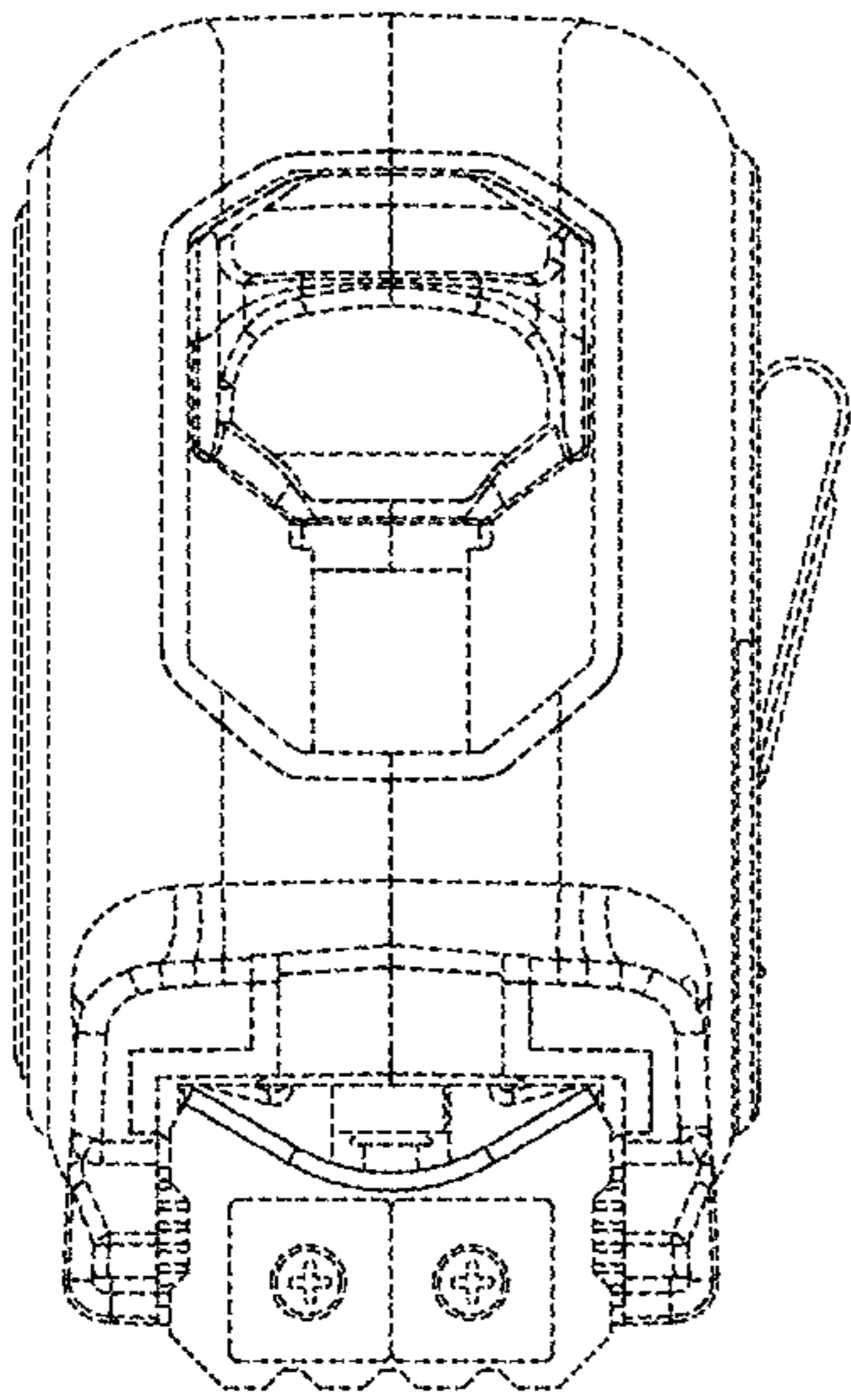


FIG. 6

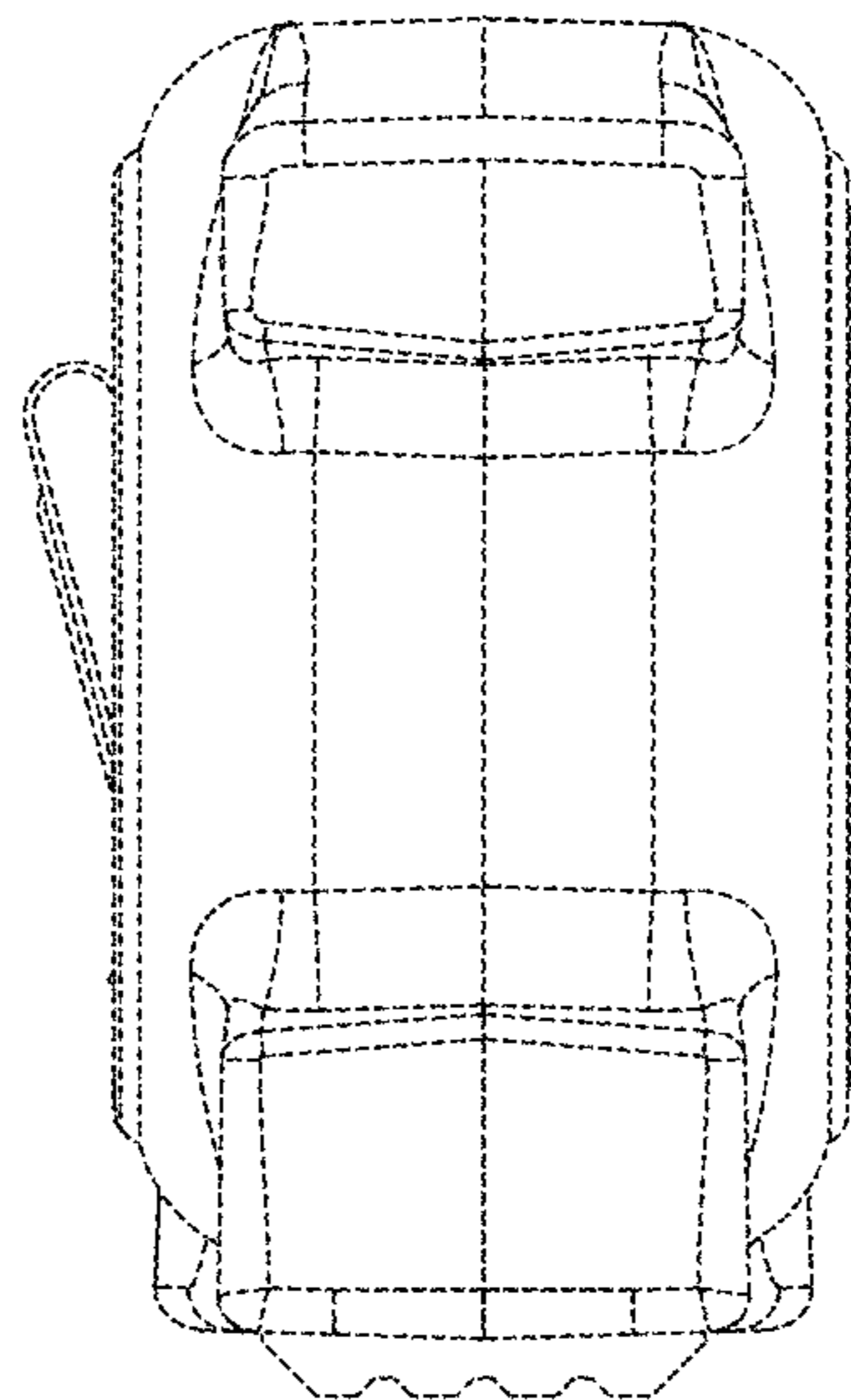


FIG. 7