



US00D803710S

(12) **United States Design Patent**  
**Shirley**

(10) **Patent No.:** **US D803,710 S**

(45) **Date of Patent:** **\*\* Nov. 28, 2017**

(54) **TURKEY MEASUREMENT DEVICE**

(71) Applicant: **Charles A. Shirley**, Louisville, KY  
(US)

(72) Inventor: **Charles A. Shirley**, Louisville, KY  
(US)

(\*\*) Term: **15 Years**

(21) Appl. No.: **29/592,563**

(22) Filed: **Jan. 31, 2017**

**Related U.S. Application Data**

(63) Continuation of application No. 14/729,224, filed on  
Jun. 3, 2015, now Pat. No. 9,593,929.

(51) **LOC (10) Cl.** ..... **10-04**

(52) **U.S. Cl.**  
USPC ..... **D10/71**

(58) **Field of Classification Search**  
USPC ..... D10/71  
CPC ..... G01B 5/02; A01K 29/00  
See application file for complete search history.

(56) **References Cited**

**U.S. PATENT DOCUMENTS**

D136,046 S \* 7/1943 Downer ..... 30/115  
3,803,718 A \* 4/1974 Schneider ..... G01B 3/02  
33/490  
4,643,267 A \* 2/1987 Southern ..... G01G 19/52  
177/190

D288,538 S \* 3/1987 Cabaniss, III ..... D10/62  
D448,687 S \* 10/2001 Landwerlen ..... D10/70  
D515,442 S \* 2/2006 Robbins, III ..... D10/71  
7,228,638 B2 \* 6/2007 Goodwin ..... A01K 29/00  
33/511  
D547,148 S \* 7/2007 Jordan ..... D8/19  
D652,331 S \* 1/2012 Weise ..... D10/71  
D708,973 S \* 7/2014 Fischer ..... D10/71  
D757,576 S \* 5/2016 Jordan ..... D10/64  
D757,577 S \* 5/2016 Fischer ..... D10/71  
D757,578 S \* 5/2016 Fischer ..... D10/71  
9,335,144 B2 \* 5/2016 Wagstaff ..... G01B 1/00

\* cited by examiner

*Primary Examiner* — Antoine Duval Davis

(74) *Attorney, Agent, or Firm* — White and Williams LLP

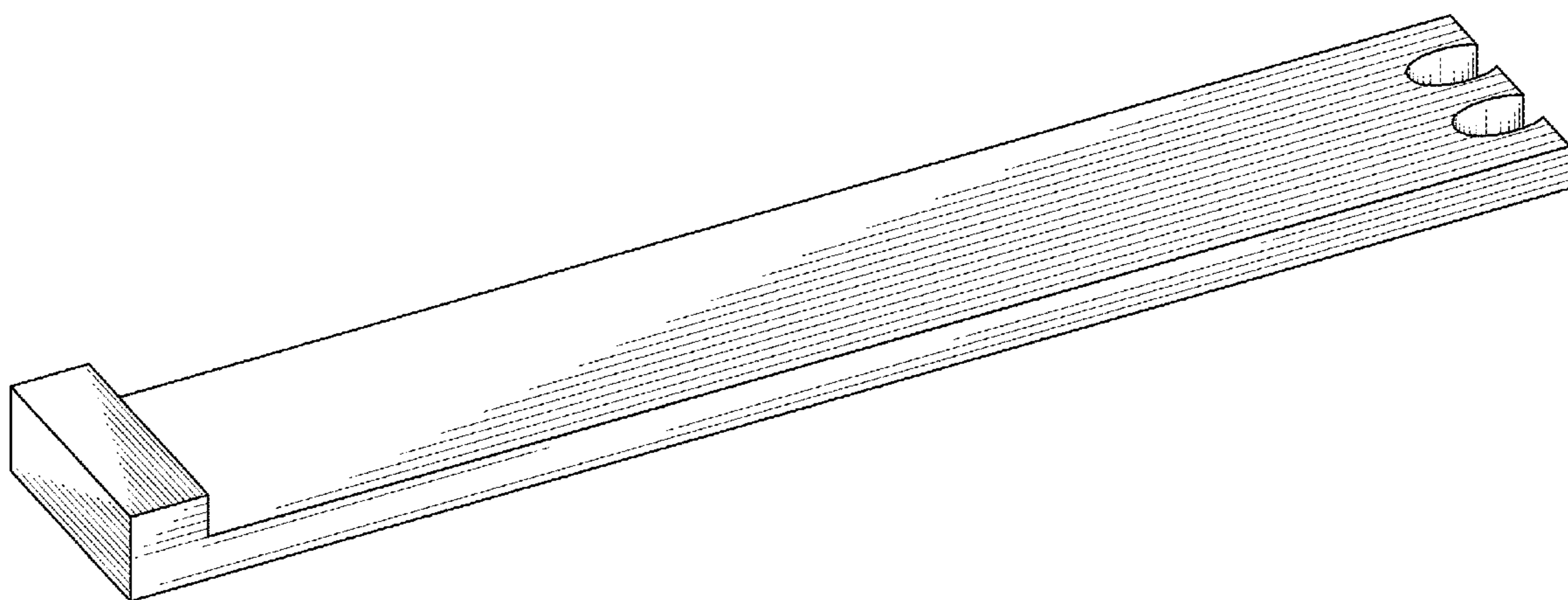
(57) **CLAIM**

The ornamental design for a turkey measurement device, as  
shown and described.

**DESCRIPTION**

FIG. 1 is a perspective view of a preferred embodiment of  
the device according to the present design;  
FIG. 2 is a rear view of the device of FIG. 1;  
FIG. 3 is a front view of the device of FIG. 1;  
FIG. 4 is a left-side view of the device of FIG. 1;  
FIG. 5 is a right-side view of the device of FIG. 1;  
FIG. 6 is a top plan view of the device of FIG. 1; and,  
FIG. 7 is a bottom plan view of the device of FIG. 1.  
Phantom lining, where used, is for illustrative purposes only  
and is not intended to limit the claimed design to the features  
shown in phantom.

**1 Claim, 2 Drawing Sheets**



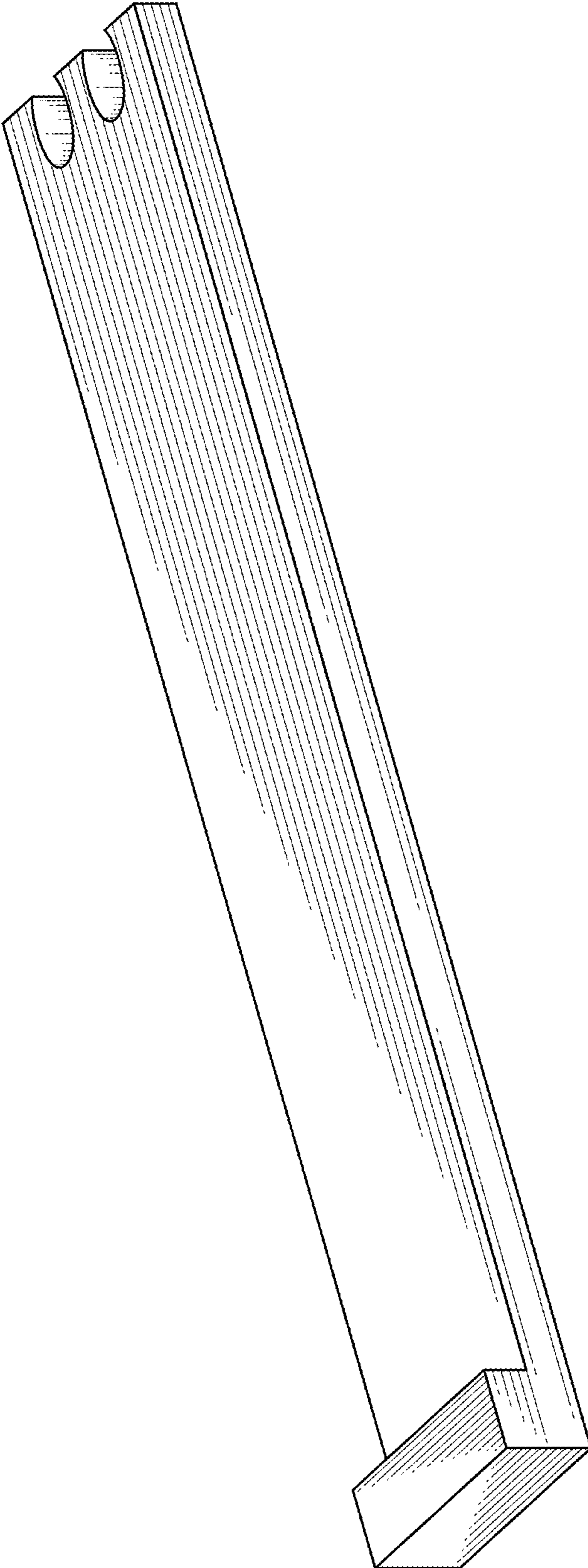


FIG. 1

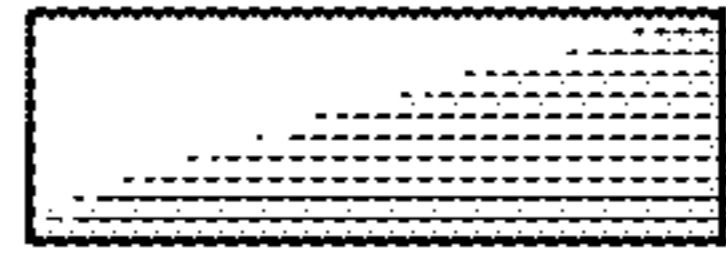


FIG. 2



FIG. 3



FIG. 4



FIG. 5

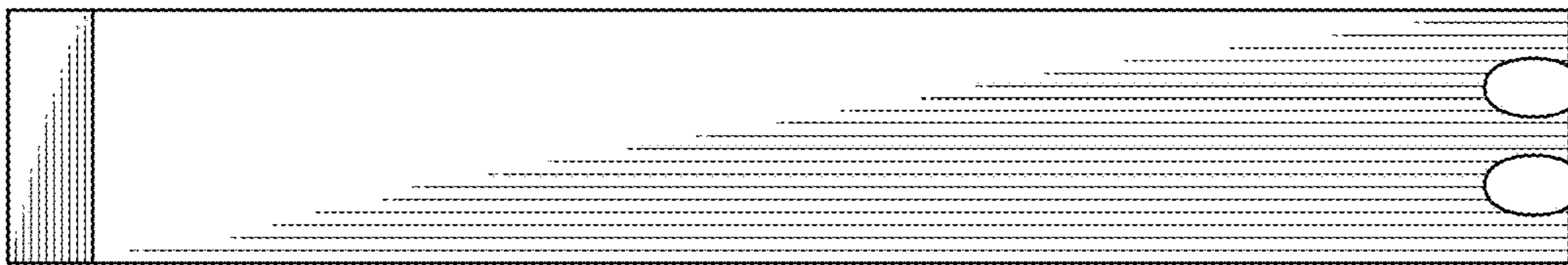


FIG. 6

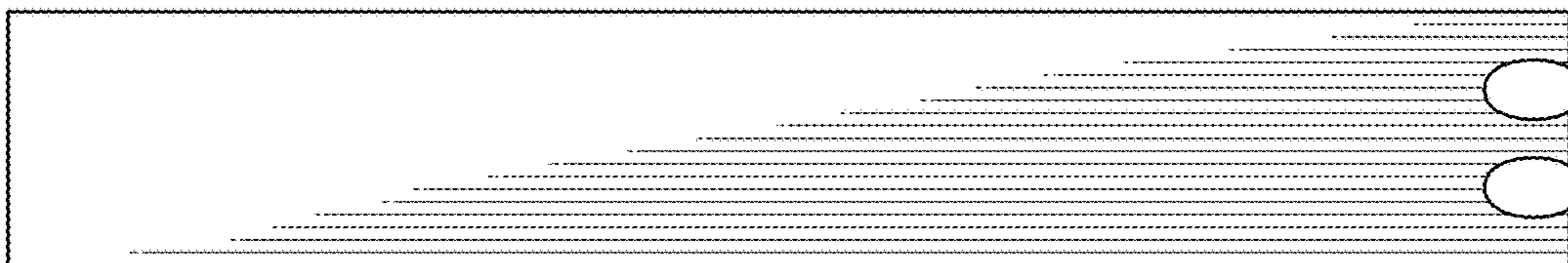


FIG. 7