

US00D803707S

(12) **United States Design Patent** (10) **Patent No.:** **US D803,707 S**
Madrid (45) **Date of Patent:** **** Nov. 28, 2017**

(54) **ELECTRONICS ENCLOSURE FOR HOLSTER**

(71) Applicant: **Safety Trace, LLC**, Weslaco, TX (US)

(72) Inventor: **Jack Madrid**, Rancho Cucamonga, CA (US)

(73) Assignee: **Safety Trace, LLC**, Weslaco, TX (US)

(**) Term: **15 Years**

(21) Appl. No.: **29/562,300**

(22) Filed: **Apr. 25, 2016**

(51) **LOC (10) Cl.** **10-04**

(52) **U.S. Cl.**
USPC **D10/70; D3/222**

(58) **Field of Classification Search**
USPC D14/356-358, 426-428, 432, 440, 447, D14/496, 250, 251-253; D3/201, 215, D3/217, 218, 221-223, 228, 273; D10/46, 47, 65, 70, 75, 80, 104.1, 106.2, D10/106.3, 106.4, 106.6, 106.9, 114.9, D10/121; D22/108, 117, 199; D13/184, D13/199
CPC F41C 33/00602; F41C 33/0209; F41C 33/0263; F41C 33/029; F41C 33/04; F41C 33/041; F41C 33/06; F41A 17/06; F41A 17/063
See application file for complete search history.

(56) **References Cited**

U.S. PATENT DOCUMENTS

D218,005 S *	7/1970	Woolfolk	D3/222
D218,006 S *	7/1970	Woolfolk	D3/222
3,731,858 A *	5/1973	Baker	F41C 33/0227 224/192
D240,225 S *	6/1976	Baker	D3/222
D248,563 S *	7/1978	Baker	D3/222
D264,191 S *	5/1982	Jondrow	D10/112

D324,773 S *	3/1992	Baruch	D3/222
D375,994 S *	11/1996	Collins	D22/117
D382,255 S *	8/1997	Moffatt	D13/147
D385,418 S *	10/1997	Bisson	D3/255
D392,458 S *	3/1998	Batts	D3/222
D446,142 S *	8/2001	Shafiyani-Rad	D10/104.1
D487,343 S *	3/2004	Neher	D3/222
D501,991 S *	2/2005	Cook	D3/222

(Continued)

Primary Examiner — Susan Bennett Hattan

Assistant Examiner — Marie D. Fast Horse

(74) *Attorney, Agent, or Firm* — Scott L. Harper; Griffith Bates Champion & Harper LLP

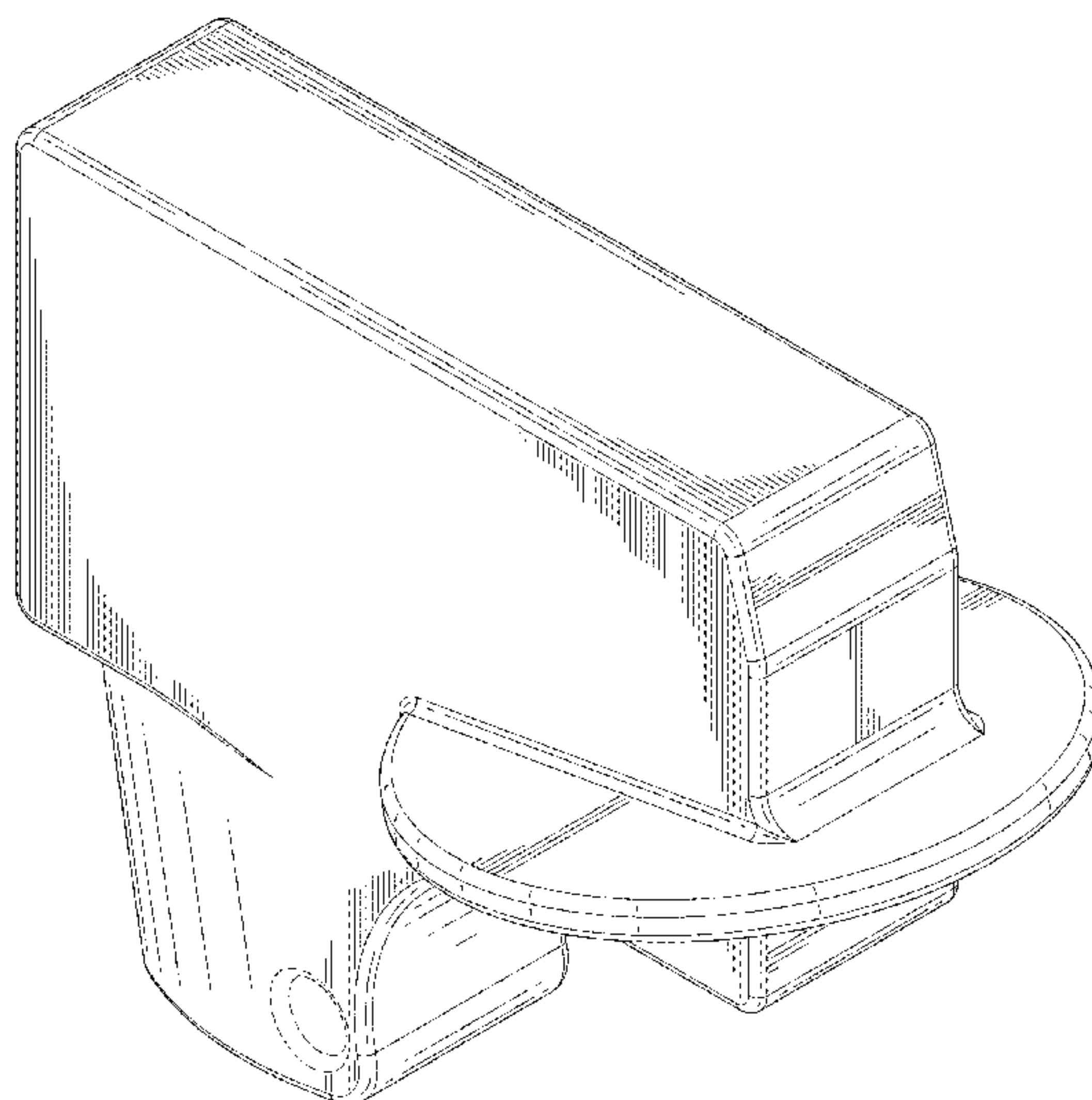
(57) **CLAIM**

The ornamental design for an electronics enclosure for holster, as shown and described.

DESCRIPTION

FIG. 1 is a front perspective view of the electronics enclosure for holster of the present invention;
FIG. 2 is a front view of the electronics enclosure for holster of the present invention;
FIG. 3 is a rear view of the electronics enclosure for holster of the present invention;
FIG. 4 is a right side view of the electronics enclosure for holster of the present invention;
FIG. 5 is a left side view of the electronics enclosure for holster of the present invention;
FIG. 6 is a top view of the electronics enclosure for holster of the present invention;
FIG. 7 is a bottom view of the electronics enclosure for holster of the present invention; and,
FIG. 8 is a rear perspective view of an embodiment of the electronics enclosure for holster of the present invention. The broken lines depicting a data port in FIGS. 3 and 8, and screw holes in FIGS. 1, 4, 5, and 8, depict structural portions of the electronics enclosure for holster that form no part of the claimed design.

1 Claim, 7 Drawing Sheets



(56)

References Cited

U.S. PATENT DOCUMENTS

D507,569 S * 7/2005 Tagliabue D14/356
 D567,501 S * 4/2008 Zusman D3/222
 D591,744 S * 5/2009 Shimizu D14/356
 D594,649 S * 6/2009 Zusman D3/222
 D601,339 S * 10/2009 Zusman D3/222
 D603,159 S * 11/2009 Zusman D3/222
 D613,941 S * 4/2010 Daniel D3/222
 D615,975 S * 5/2010 Lin D14/356
 D659,036 S * 5/2012 Madsen D10/65
 D668,046 S * 10/2012 Teichelman D3/269
 D668,453 S * 10/2012 Teichelman D3/222
 D670,242 S * 11/2012 Cobbett D13/107
 D688,960 S * 9/2013 Santos G02B 6/0021
 D708,528 S * 7/2014 Huang D10/70
 D718,523 S * 12/2014 Cox D3/222
 D735,471 S * 8/2015 Faifer D3/222
 D746,586 S * 1/2016 Tusting D3/222
 D765,393 S * 9/2016 Kim D14/253
 D766,756 S * 9/2016 Franc D10/70
 D776,424 S * 1/2017 Faifer D3/222

9,551,546 B2 * 1/2017 Alicea, Jr. F41A 17/20
 D779,982 S * 2/2017 Madrid D10/70
 D783,013 S * 4/2017 Chun D14/253
 D784,008 S * 4/2017 Rogers D3/222
 D789,819 S * 6/2017 Chen D10/106.6
 2002/0144447 A1 * 10/2002 Hathaway F41A 17/06
 42/70.11
 2013/0118050 A1 * 5/2013 Alicea F41A 17/06
 42/84
 2014/0048572 A1 * 2/2014 Yeates F41C 33/0272
 224/193
 2015/0176937 A1 * 6/2015 Sullivan F41A 17/063
 42/84
 2015/0285587 A1 * 10/2015 Abushaev F41C 33/0209
 224/193
 2015/0369559 A1 * 12/2015 Del Rosario F41C 33/029
 340/686.4
 2016/0091279 A1 * 3/2016 Massaro, Jr. F41C 33/04
 224/581
 2017/0003101 A1 * 1/2017 Madrid F41C 33/029
 2017/0146310 A1 * 5/2017 Biran F41A 17/46
 2017/0153087 A1 * 6/2017 Massarro, Jr. F41C 33/04

* cited by examiner

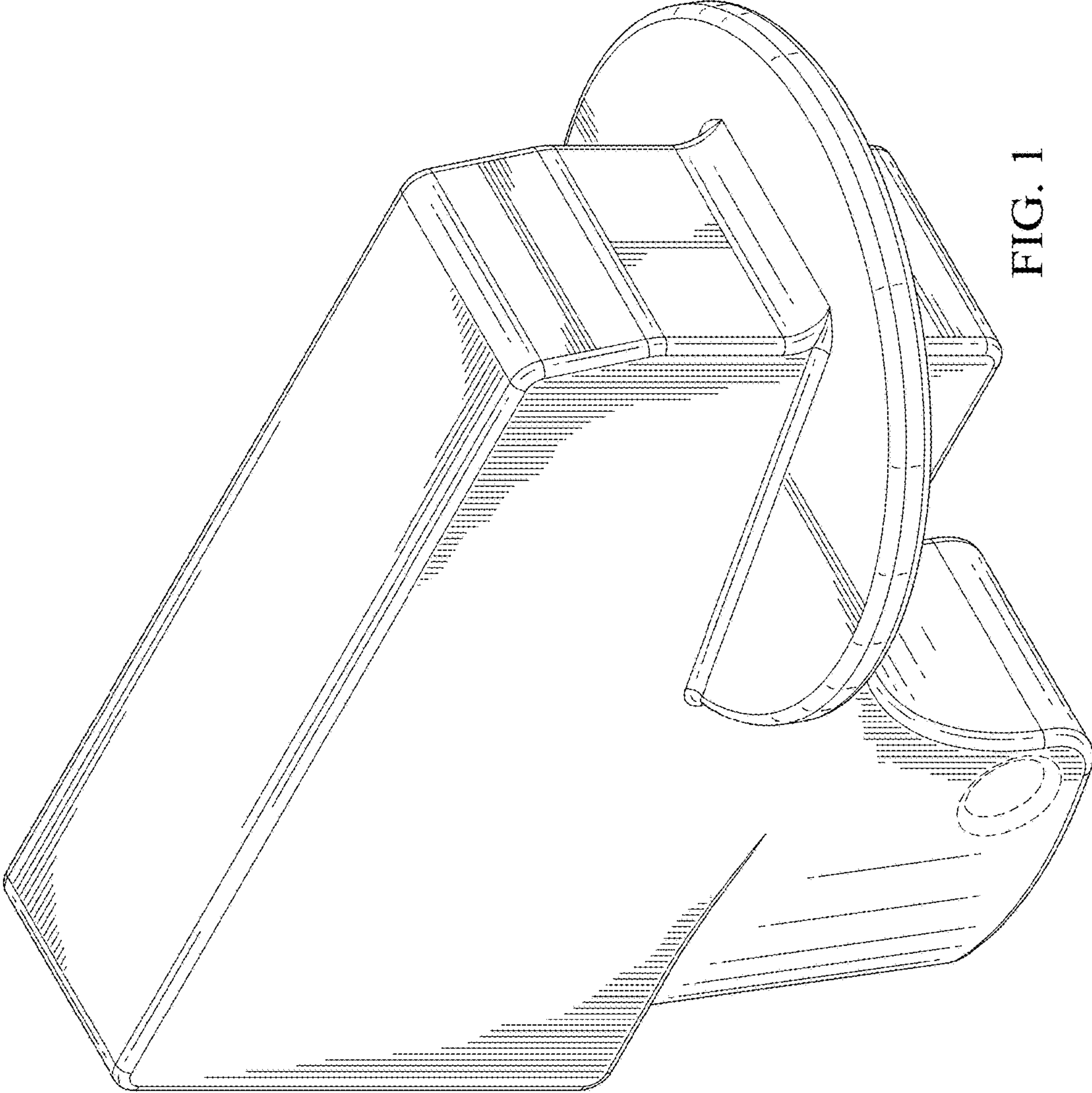


FIG. 1

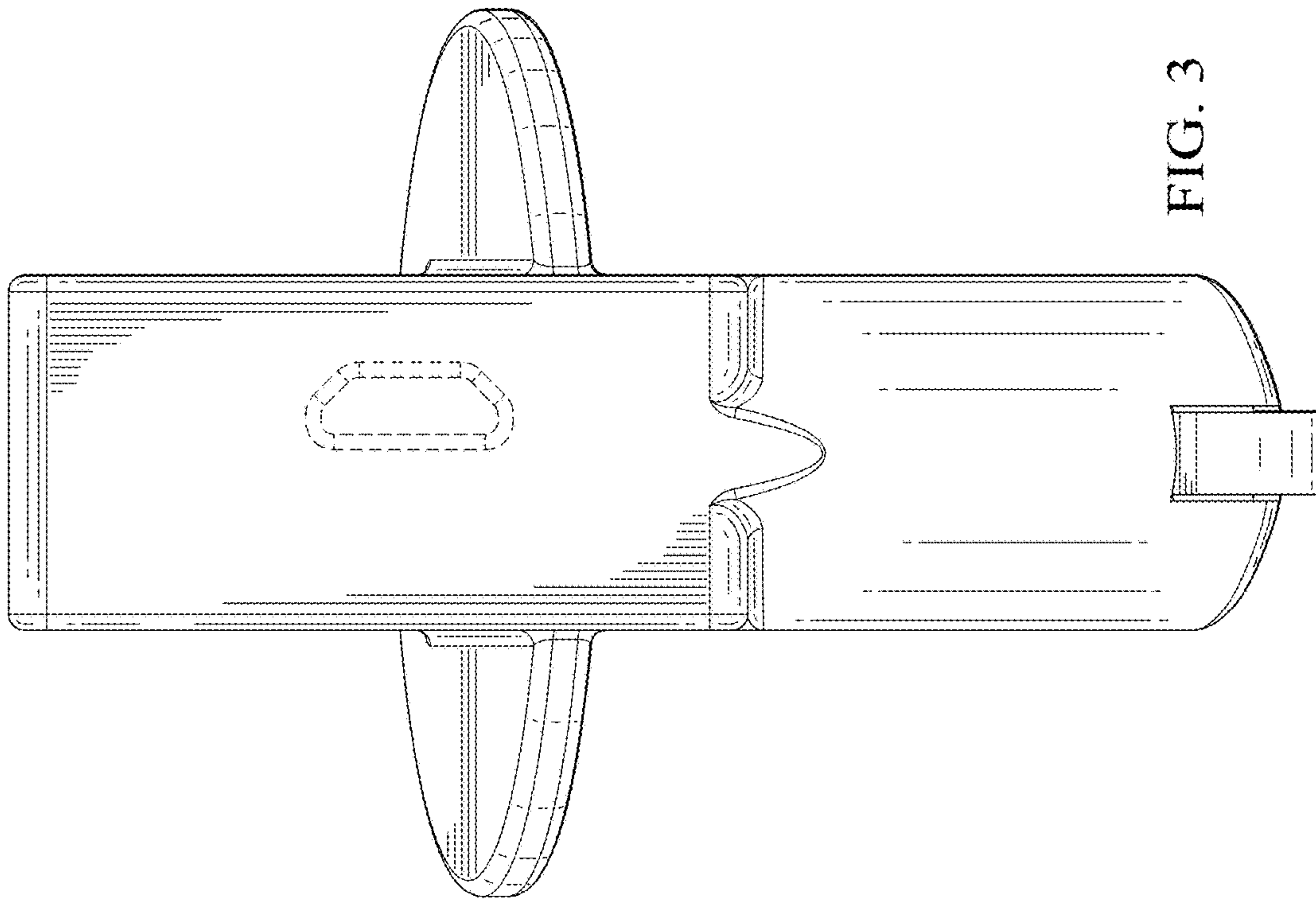


FIG. 3

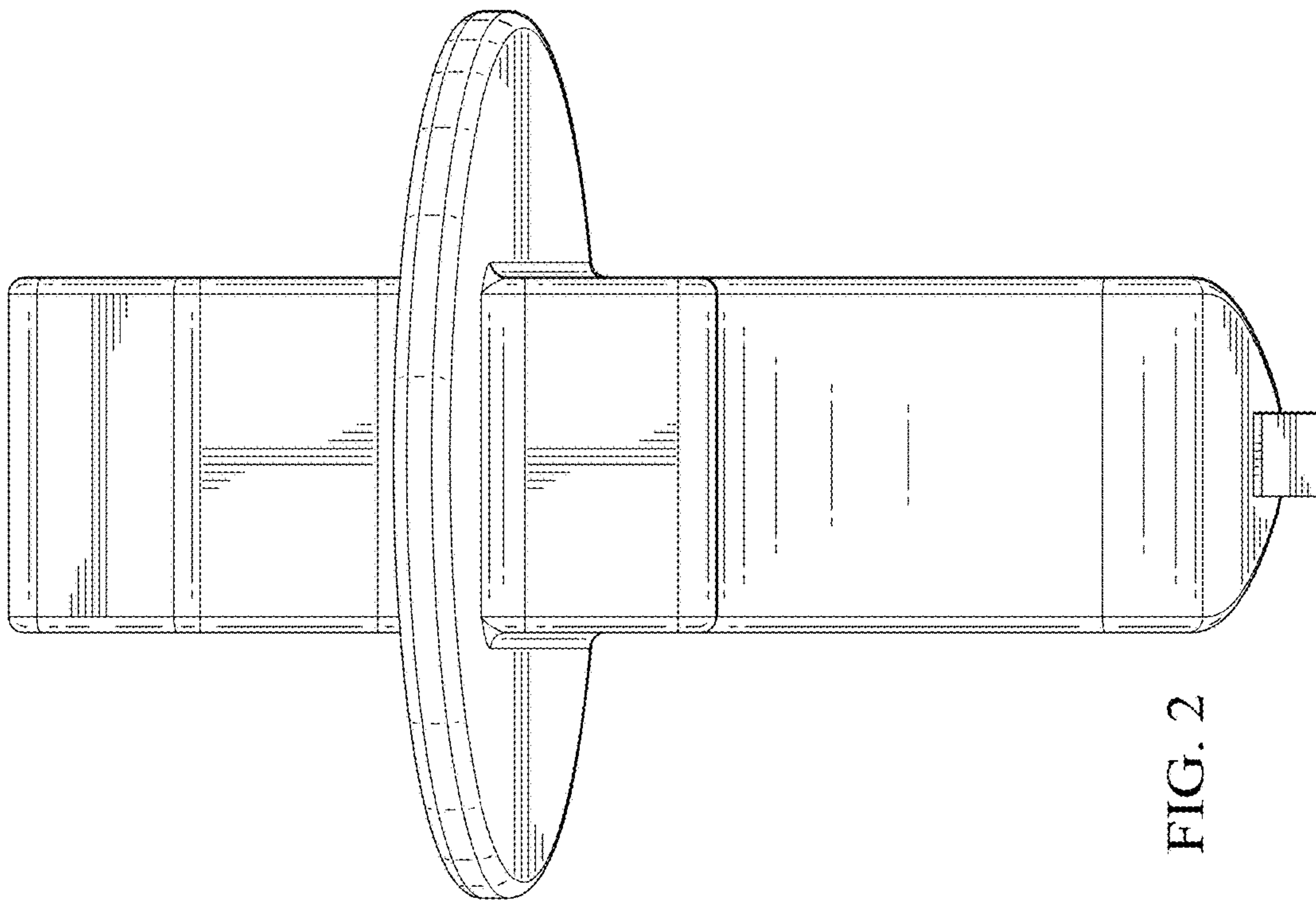


FIG. 2

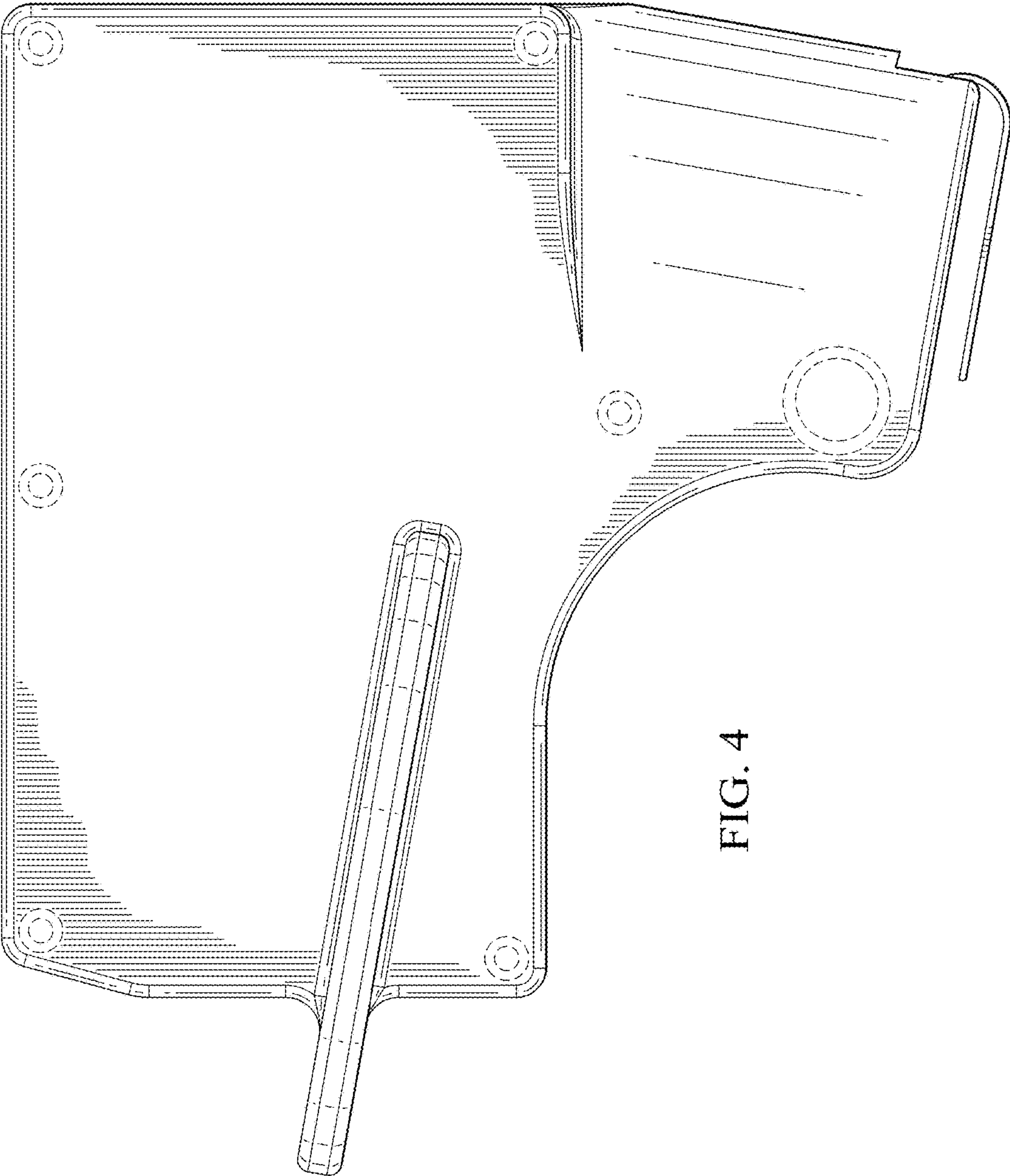


FIG. 4

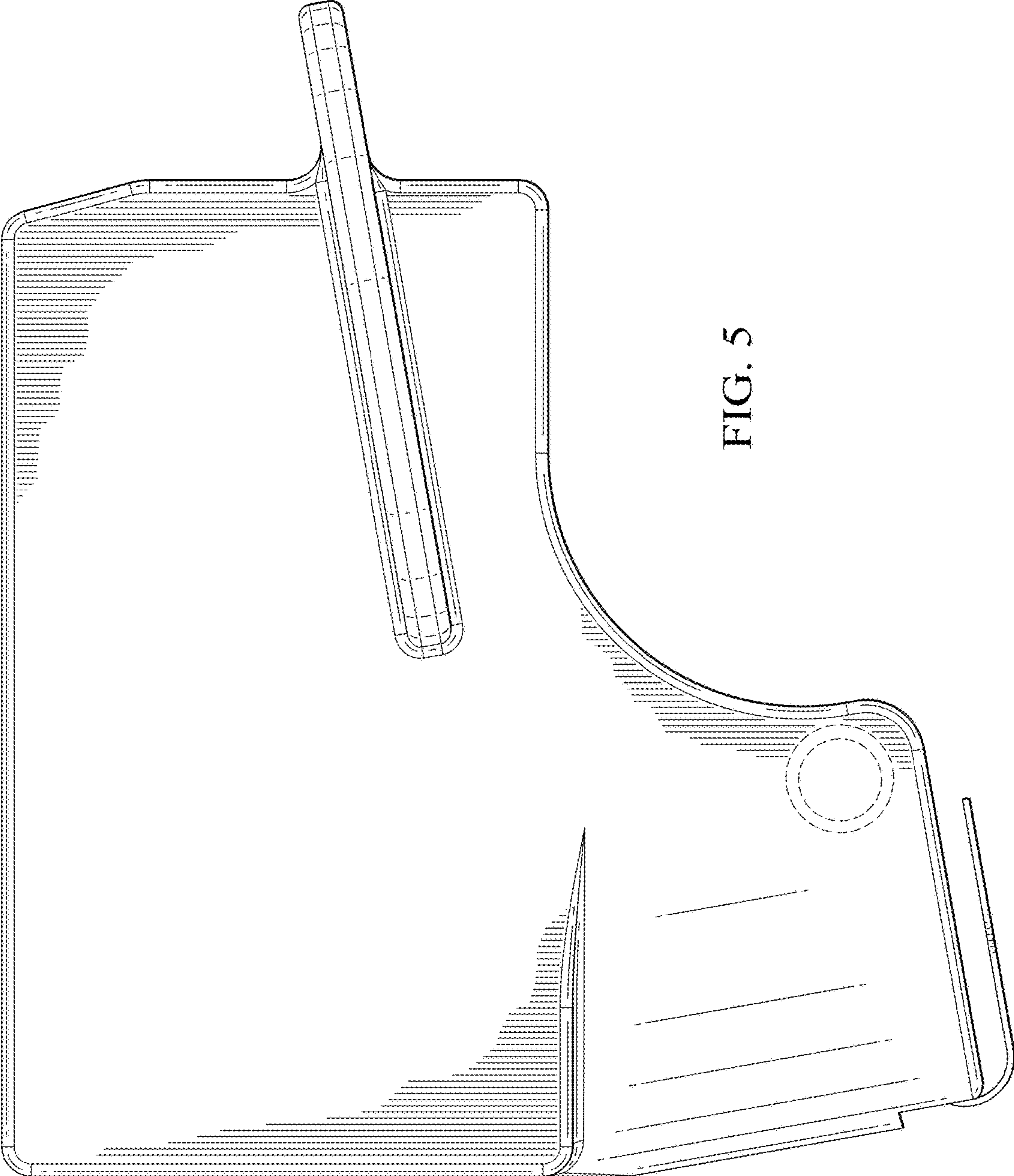


FIG. 5

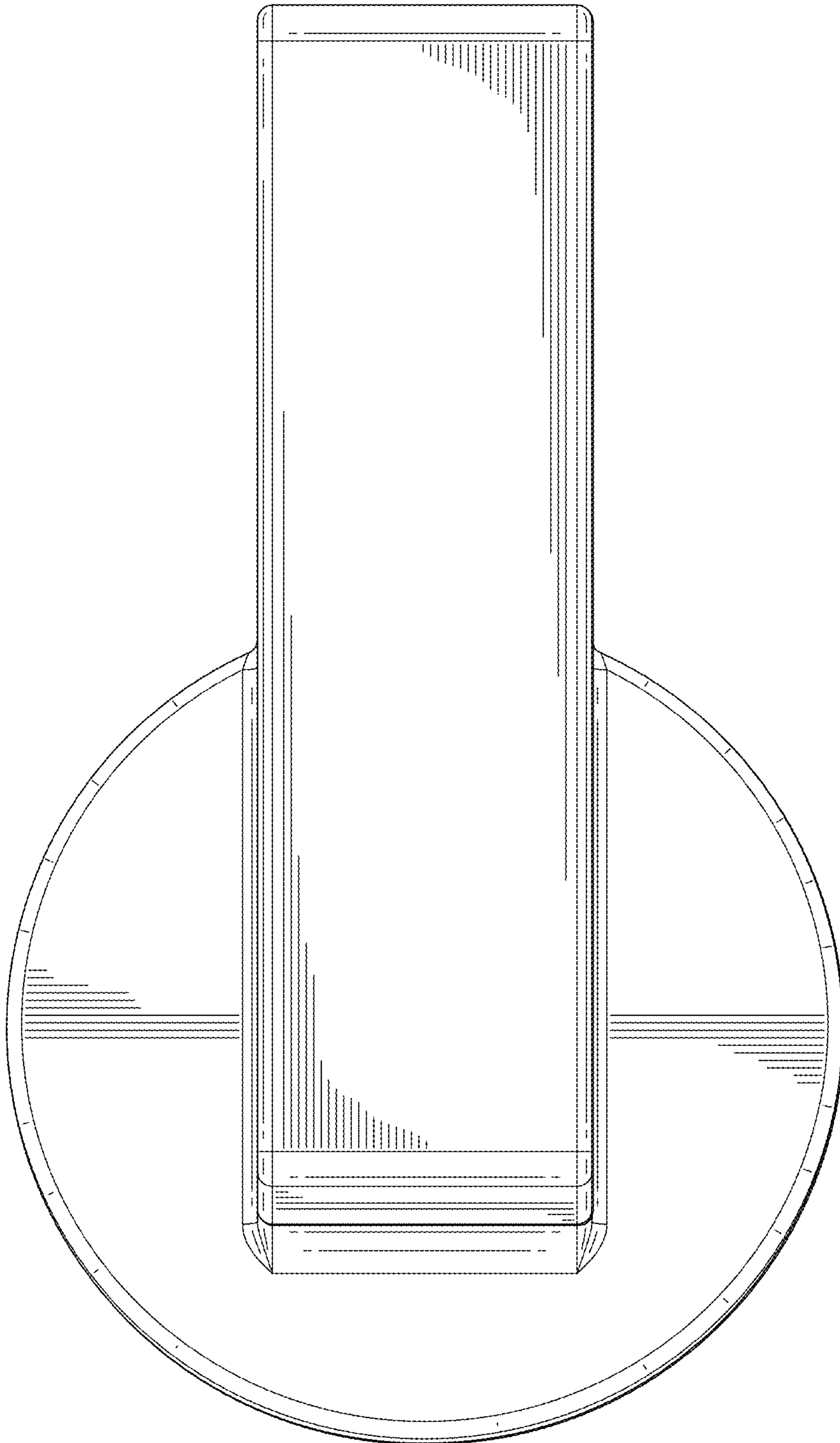


FIG. 6

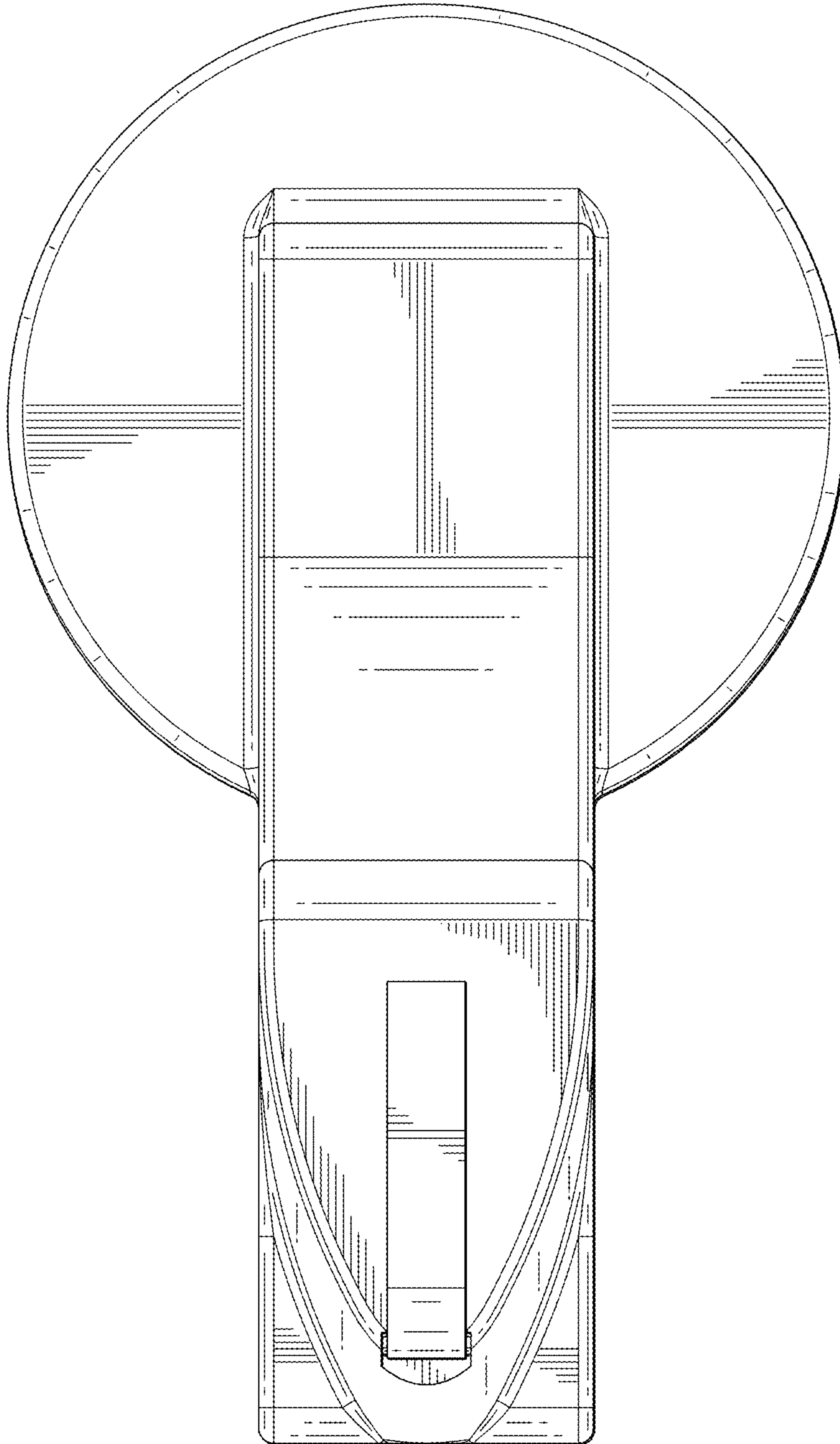


FIG. 7

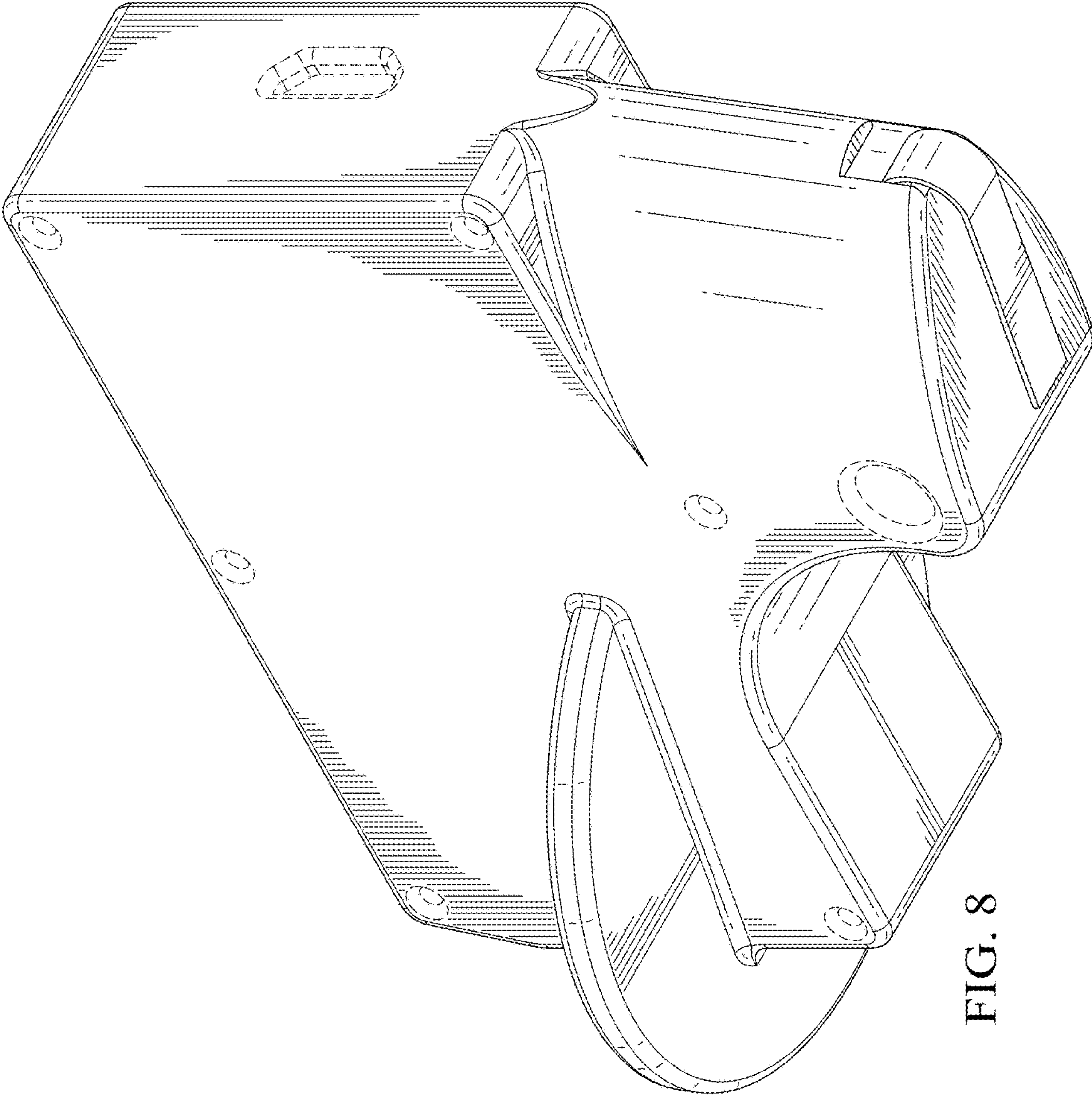


FIG. 8