



US00D803704S

(12) **United States Design Patent** (10) **Patent No.:** **US D803,704 S**  
**Schwarz et al.** (45) **Date of Patent:** **\*\* Nov. 28, 2017**

(54) **SENSORS**

(71) Applicant: **SICK AG**, Waldkirch (DE)

(72) Inventors: **Adrian Schwarz**, Waldkirch (DE);  
**Omar Saycon**, Singapore (SG); **Tun Tun Lin**, Singapore (SG); **Shinde Geeta**, Singapore (SG); **Victor Phay Kok Heng**, Singapore (SG)

(73) Assignee: **SICK AG**, Waldkirch (DE)

(\*\*) Term: **15 Years**

(21) Appl. No.: **29/556,821**

(22) Filed: **Mar. 3, 2016**

(30) **Foreign Application Priority Data**

Oct. 5, 2015 (EM) ..... 002810838-0002

(51) **LOC (10) Cl.** ..... **10-04**

(52) **U.S. Cl.**

USPC ..... **D10/49**

(58) **Field of Classification Search**

USPC ..... D13/125, 134, 158; D14/159; D16/203;  
D26/72; D10/46, 50-56, 60, 61, 65, 66,  
D10/70, 78, 79, 92, 99, 100, 104.1, 106.1,  
D10/106.2, 106.5, 106.6, 106.9, 106.92,  
D10/107, 113.1, 113.2, 113.3, 113.4,  
D10/114.2, 114.4, 116.1, 118.2, 121, 49

CPC ..... G08B 13/2491; G08B 13/08

See application file for complete search history.

(56) **References Cited**

U.S. PATENT DOCUMENTS

D596,059 S \* 7/2009 Chipchase ..... D10/78  
D610,586 S \* 2/2010 Chen ..... D14/426  
D629,319 S \* 12/2010 Tian ..... D10/78  
D655,212 S \* 3/2012 Wong ..... D10/78

D659,577 S \* 5/2012 Kittleson ..... D10/78  
D681,839 S \* 5/2013 Nathanson ..... D24/200  
D684,871 S \* 6/2013 Lintner ..... D10/47  
D698,675 S \* 2/2014 Sallander ..... D10/78  
D700,073 S \* 2/2014 Lintner ..... D10/47  
D700,074 S \* 2/2014 Lintner ..... D10/47  
D711,262 S \* 8/2014 Kummer ..... D10/78  
D754,554 S \* 4/2016 Richer ..... D10/78  
D756,817 S \* 5/2016 Fries ..... D10/78

**OTHER PUBLICATIONS**

Inspector from Sick, posted on youtube.com, published Sep. 7, 2012, no production date given, [online], [site visited Mar. 29, 2017], Available from Internet, <URL: https://www.youtube.com/watch?v=ajPNJINvJJs>.\*

(Continued)

*Primary Examiner* — Melanie H Tung  
*Assistant Examiner* — Fritzgerald Butac  
(74) *Attorney, Agent, or Firm* — Nath, Goldberg & Meyer; Jerald L. Meyer

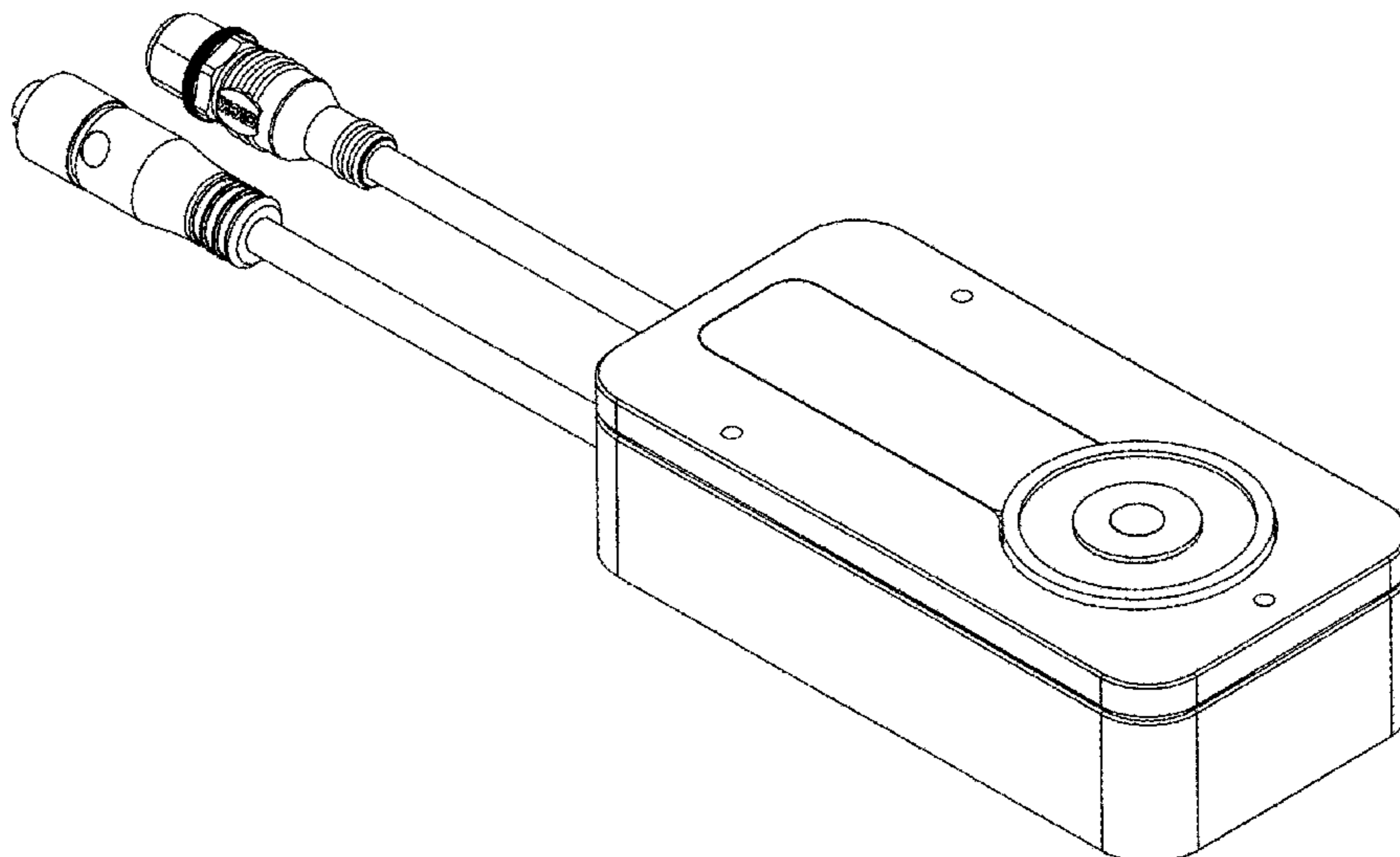
(57) **CLAIM**

The ornamental design for sensors, as shown and described.

**DESCRIPTION**

FIG. 1 is a perspective view for sensors;  
FIG. 2 is a front view of the design thereof;  
FIG. 3 is a back view of the design thereof;  
FIG. 4 is a right view of the design thereof, on an enlarged scale;  
FIG. 5 is a left view of the design thereof, on an enlarged scale;  
FIG. 6 is a top view of the design thereof; and,  
FIG. 7 is a bottom view of the design thereof.  
The broken lines shown in the respective Figures are for illustrative purposes and do not constitute part of the claimed design.

**1 Claim, 7 Drawing Sheets**



(56)

**References Cited**

OTHER PUBLICATIONS

In-Sight 5000 Industrial Vision Systems Models, posted on cognex.com, no posted date given, no production date given, [online], [site visited Mar. 29, 2017], Available from Internet, <URL: <http://www.cognex.com/products/machine-vision/in-sight-5000-industrial-vision-systems/models/>>.\*

Datalogic Data VS2 Vision Sensor, posted on onexia.com, copyrighted 2015, no production date posted, [online], [site visited Mar. 29, 2017], Available from Internet, <URL: <http://onexia.com/Datalogic/datalogic-vs2-vision-sensor.html>>.\*

\* cited by examiner

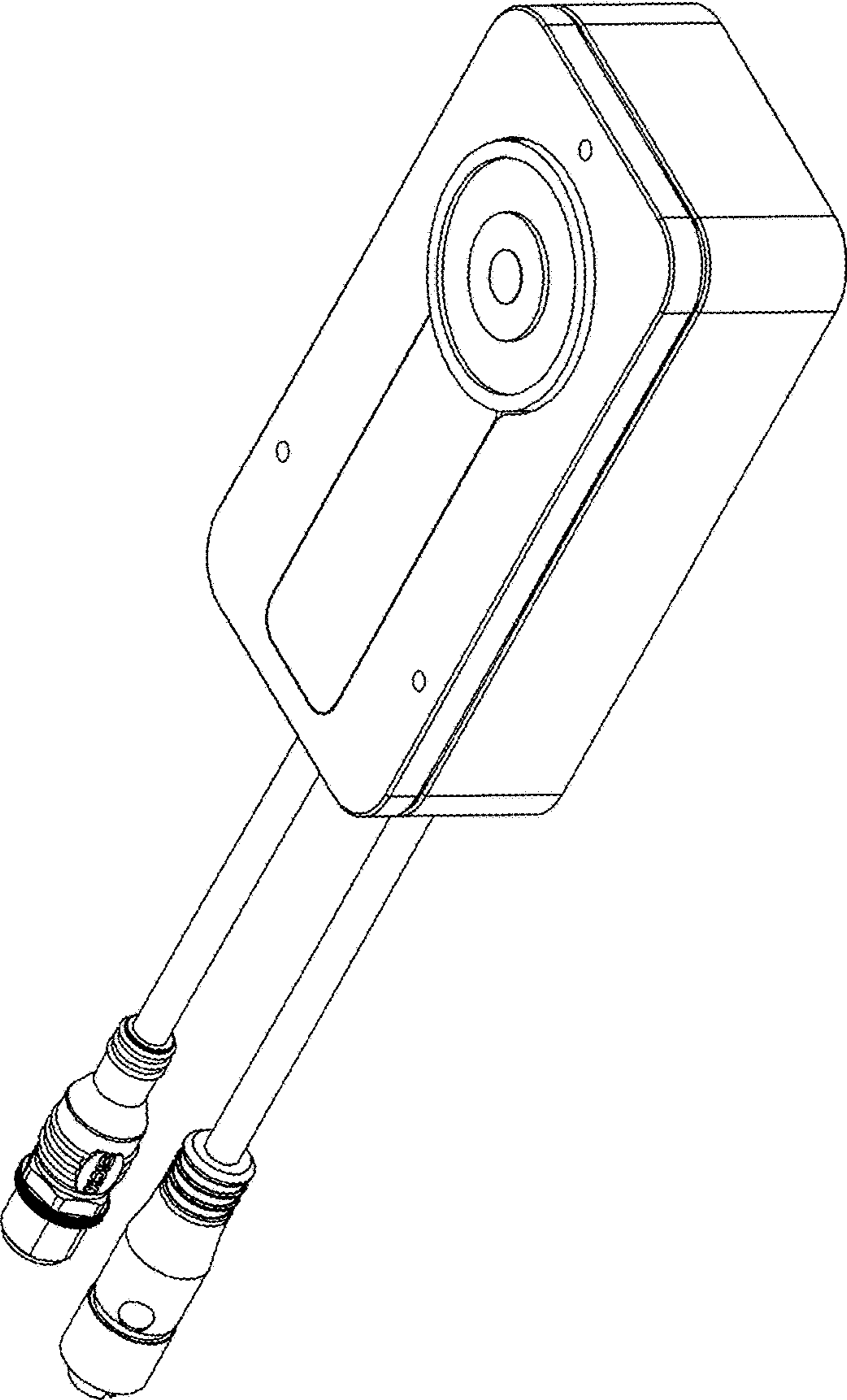


FIG. 1

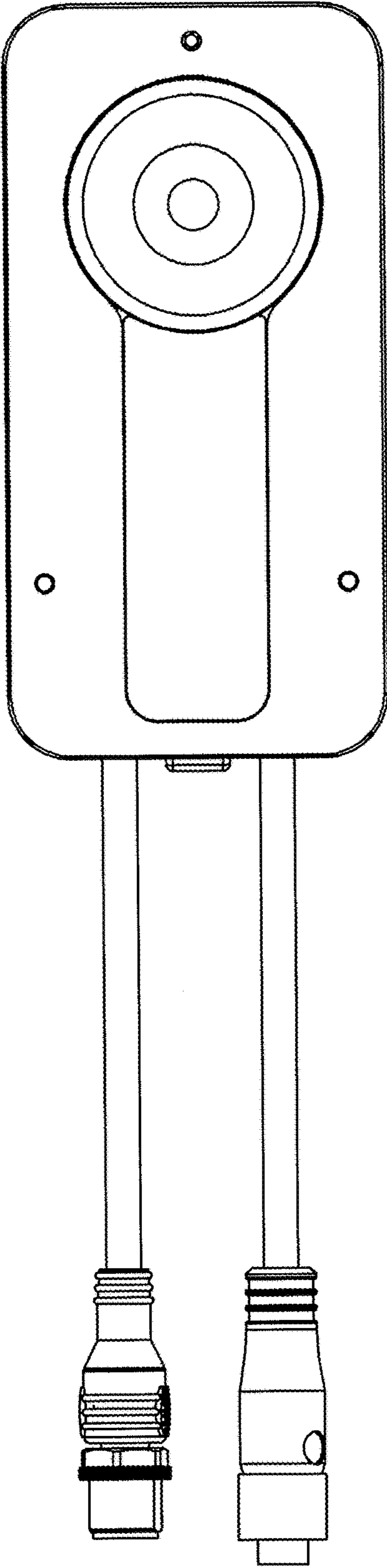
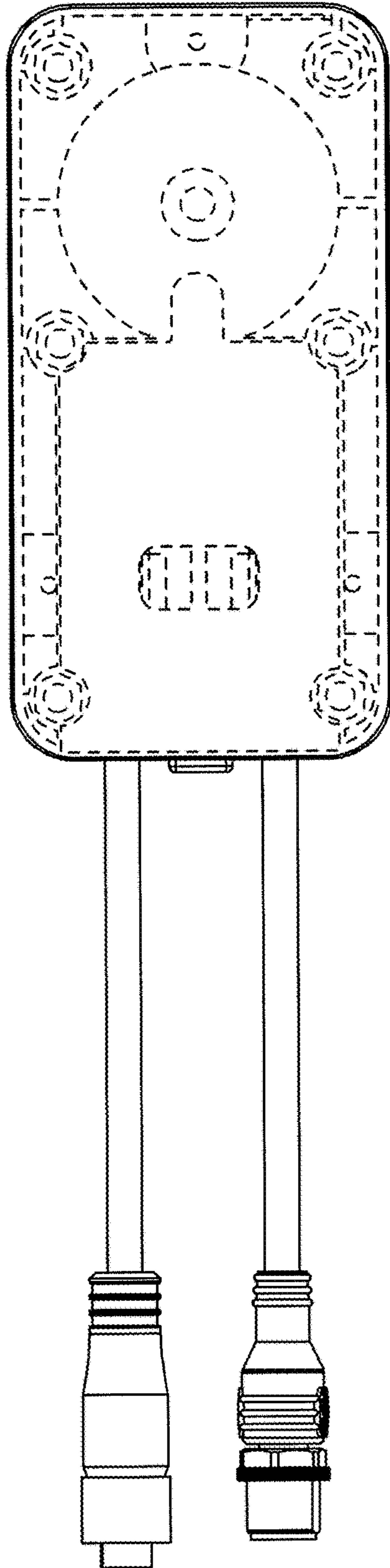
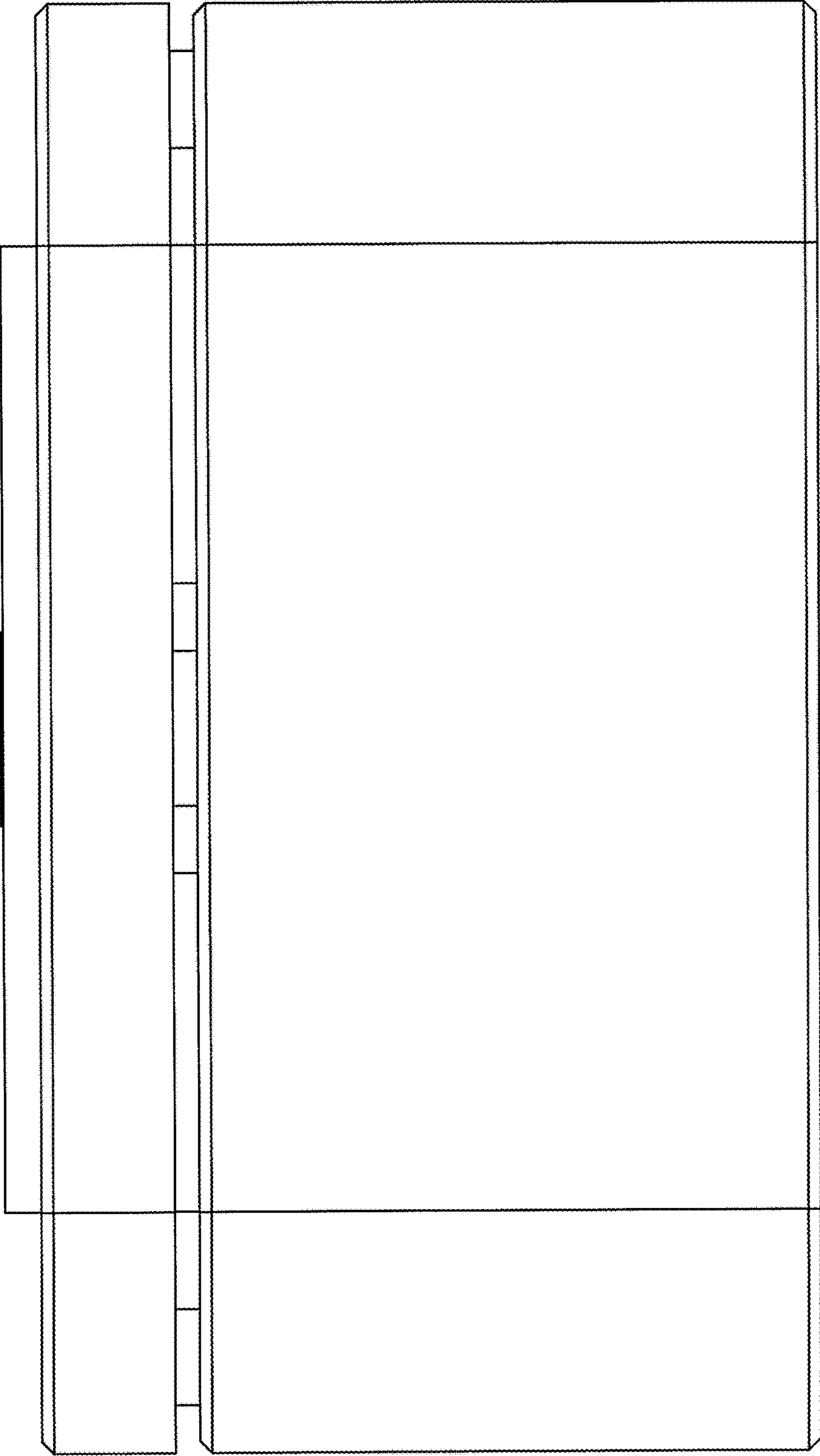


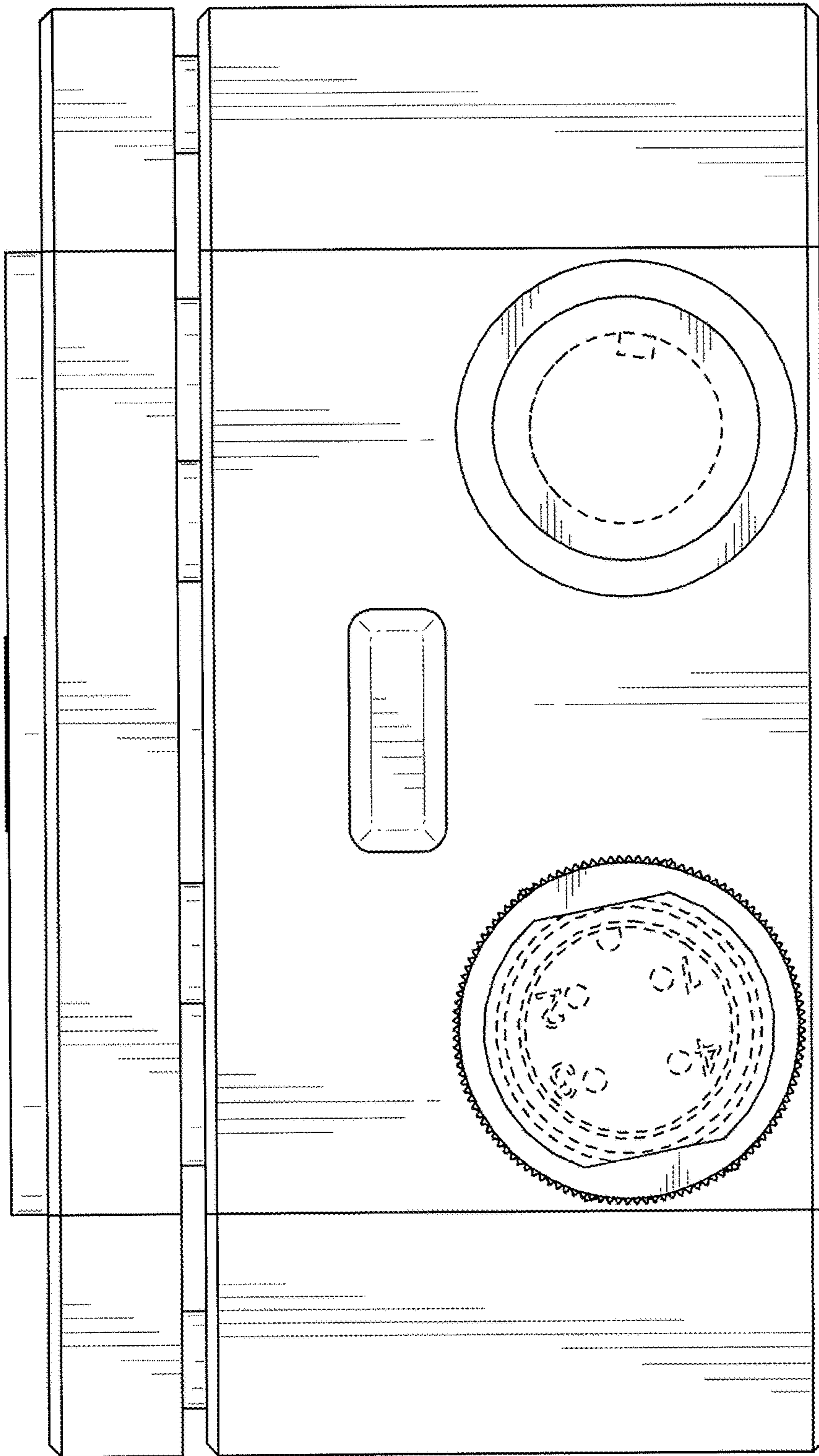
FIG. 2



**FIG. 3**



**FIG. 4**



**FIG. 5**

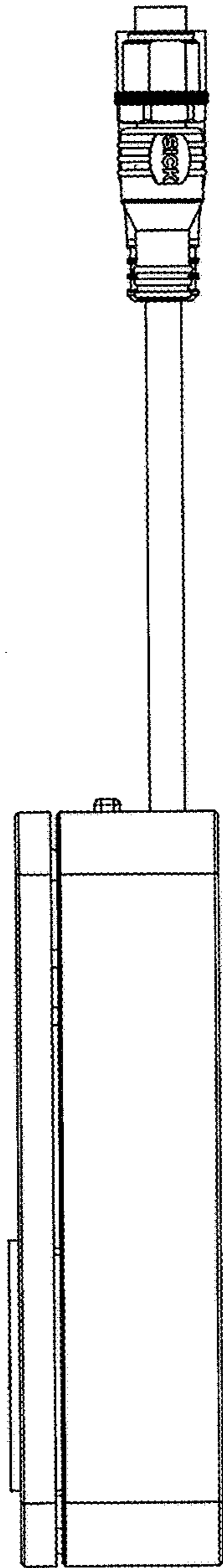
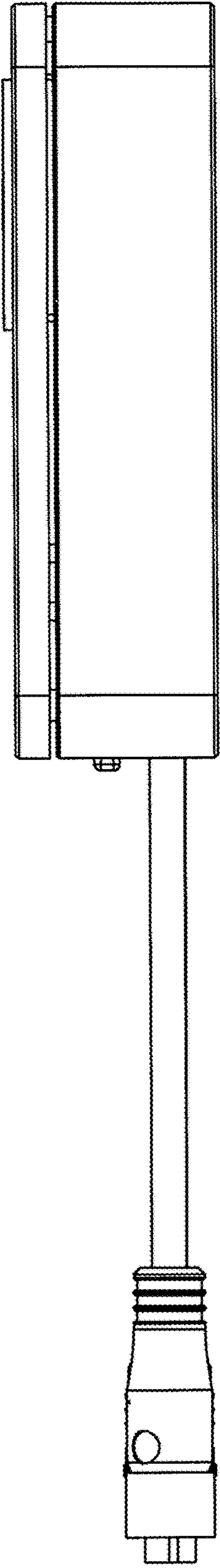


FIG. 6





**FIG. 7**