



US00D803702S

(12) **United States Design Patent**
Hu et al.

(10) **Patent No.:** **US D803,702 S**

(45) **Date of Patent:** **** Nov. 28, 2017**

(54) **CONTAINER**

(71) Applicant: **Silgan Containers LLC**, Woodland Hills, CA (US)

(72) Inventors: **Jianwen Hu**, Oconomowoc, WI (US);
Steven J. Manne, Oconomowoc, WI (US)

(73) Assignee: **Silgan Containers LLC**, Woodland Hills, CA (US)

(**) Term: **15 Years**

(21) Appl. No.: **29/573,977**

(22) Filed: **Aug. 11, 2016**

(51) **LOC (10) Cl.** **09-01**

(52) **U.S. Cl.**
USPC **D9/776**

(58) **Field of Classification Search**
USPC D9/500, 502, 516, 530, 537, 539, 542,
D9/549, 763-783; 215/381-385
CPC B21D 51/26; B21D 51/383; B29C 66/71;
B65D 1/00; B65D 1/02; B65D 1/12;
B65D 1/14; B65D 1/40; B65D 1/44;
B65D 1/023; B65D 1/0223; B65D 1/165;
B65D 1/238; B65D 1/246; B65D 1/253;
B65D 7/04; B65D 21/0209; B65D
21/0233; B65D 25/00; B65D 25/28;
B65D 41/0457; B65D 41/17; B65D
53/06; B65D 75/56; B65D 79/005; B65D
2501/0036; B65D 2543/00064; B65D
2543/00074; B65D 2543/00083; B65D
2543/00092; B65D 2543/00101; B65D
2543/00111; Y10T 29/49826

See application file for complete search history.

(56) **References Cited**

U.S. PATENT DOCUMENTS

D398,531 S *	9/1998	De Vries	D9/776
D537,366 S *	2/2007	Pedersen	D9/500
D611,838 S *	3/2010	Metzger	D9/776
D614,508 S *	4/2010	Hu	D9/500
D615,877 S *	5/2010	Hu	D9/556
D652,740 S *	1/2012	Metzger	D9/774
D672,663 S *	12/2012	Baker	D9/774
D683,247 S *	5/2013	Baker	D9/773
D696,594 S *	12/2013	Baker	D9/773
D739,266 S *	9/2015	Baker	D9/773
D766,112 S *	9/2016	Baker	D9/773
D769,122 S *	10/2016	Wiggins	D9/500
2013/0306661 A1 *	11/2013	Baker	B21D 15/06 220/672
2014/0263372 A1 *	9/2014	Brewer	B65D 7/12 220/623

* cited by examiner

Primary Examiner — Keli L Hill

(74) *Attorney, Agent, or Firm* — Reinhart Boerner Van Deuren s.c.

(57) **CLAIM**

The ornamental design for a container, as shown and described.

DESCRIPTION

FIG. 1 is a top perspective view of a container, embodying our new design;

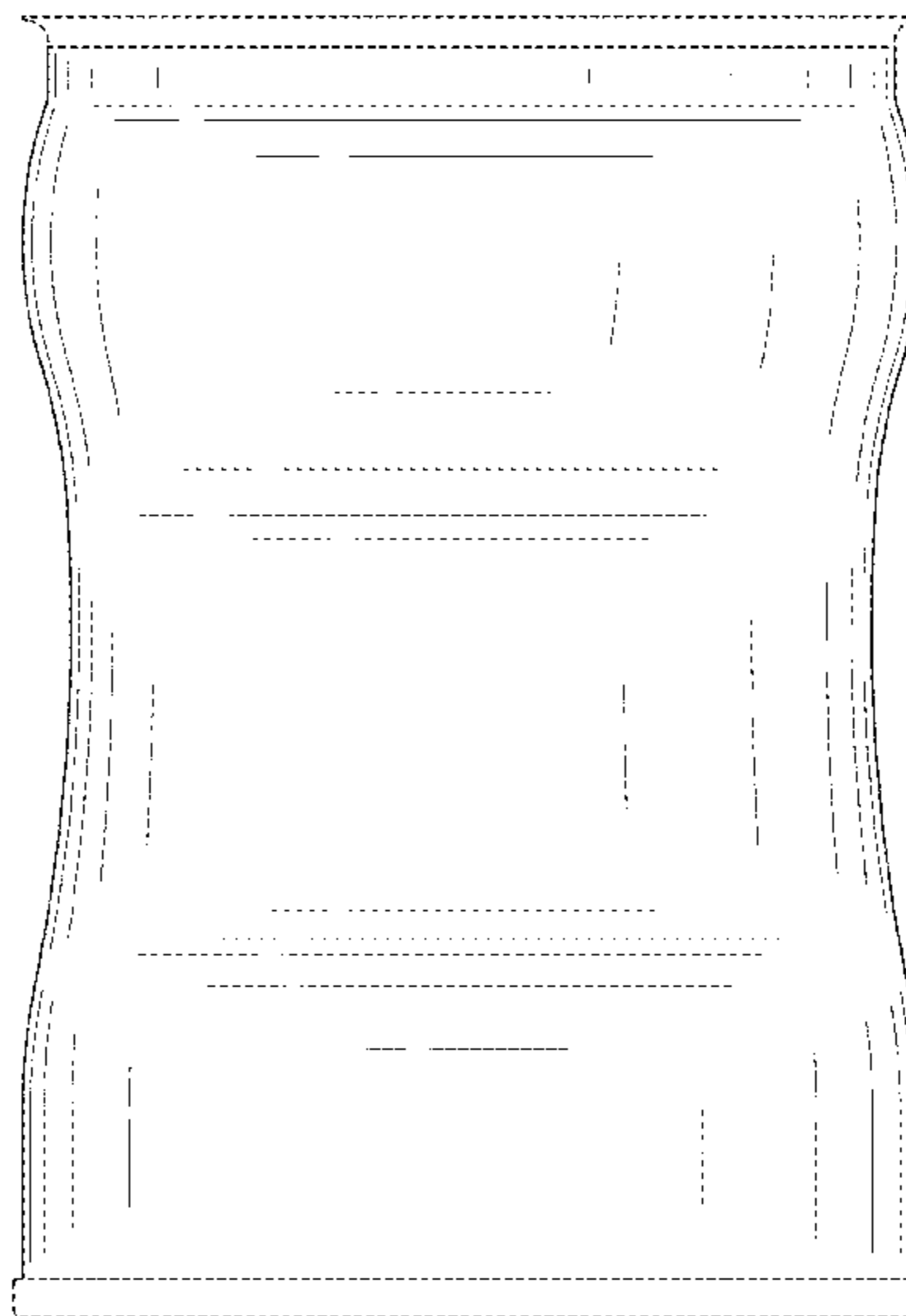
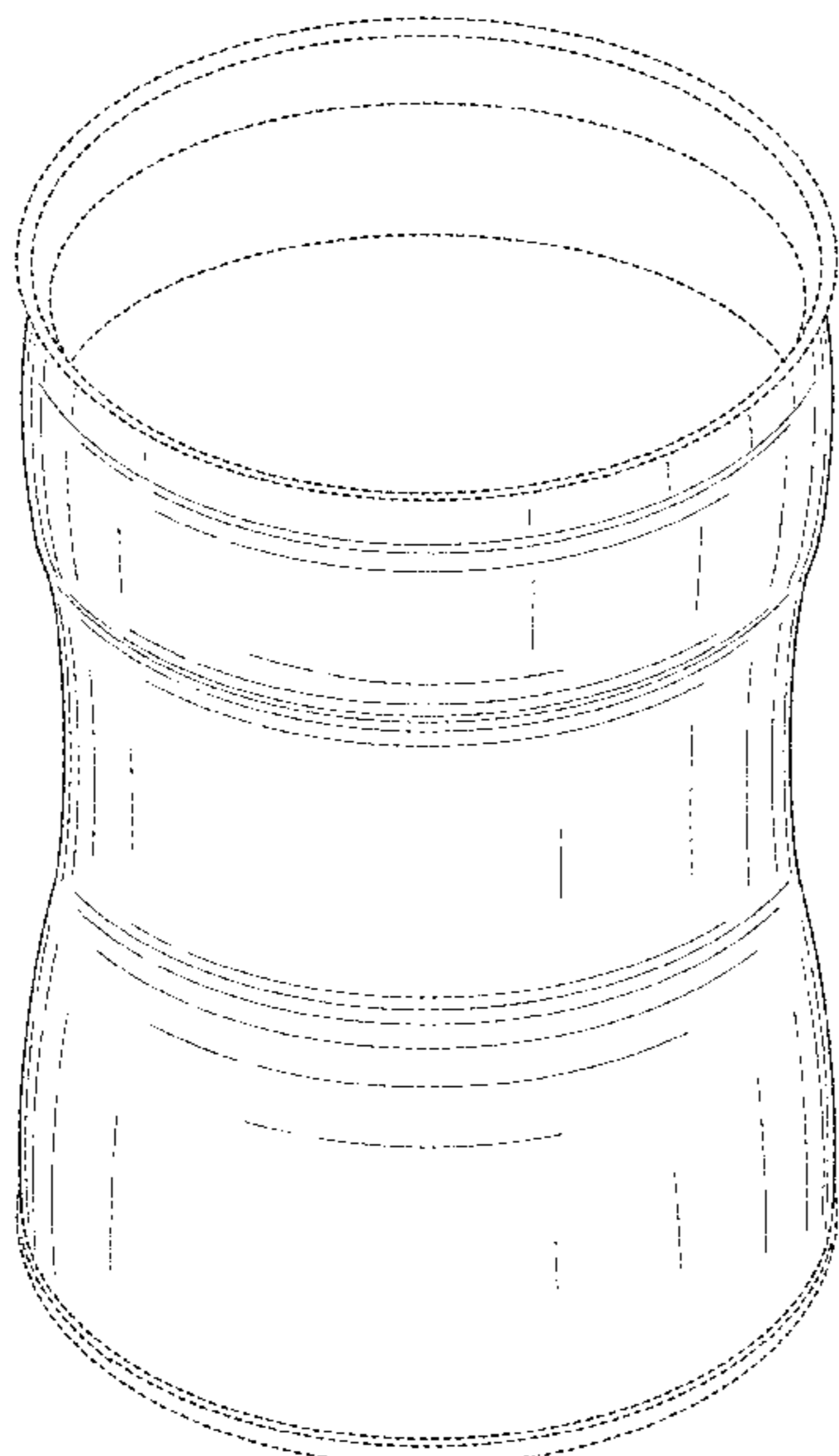
FIG. 2 is a front elevation view thereof, the rear, left and right side elevation views being identical thereto;

FIG. 3 is a bottom plan view thereof; and,

FIG. 4 is a top plan view thereof.

The broken lines shown are included for the purpose of illustrating portions of the container that form no part of the claim.

1 Claim, 4 Drawing Sheets



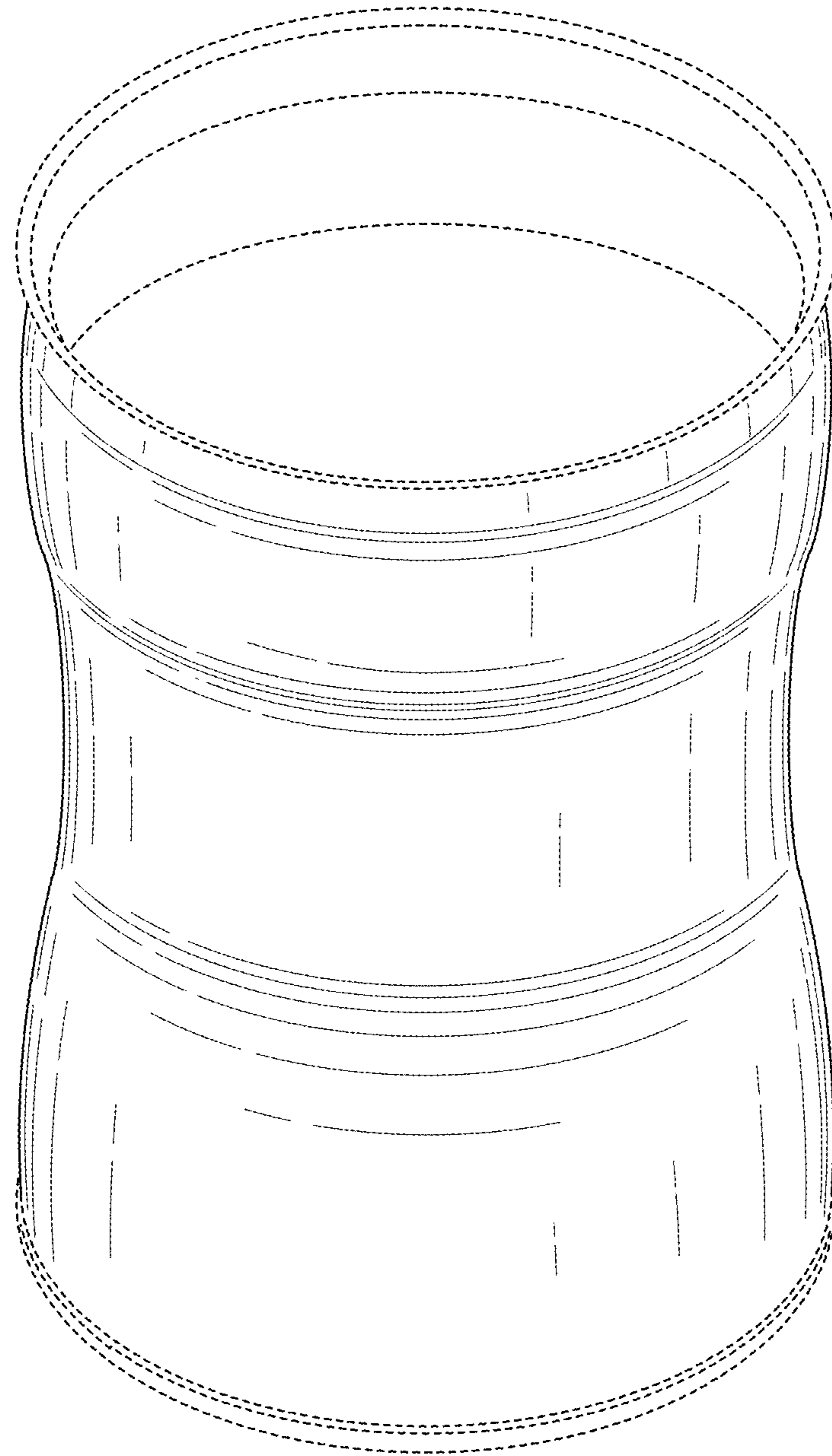


FIG. 1

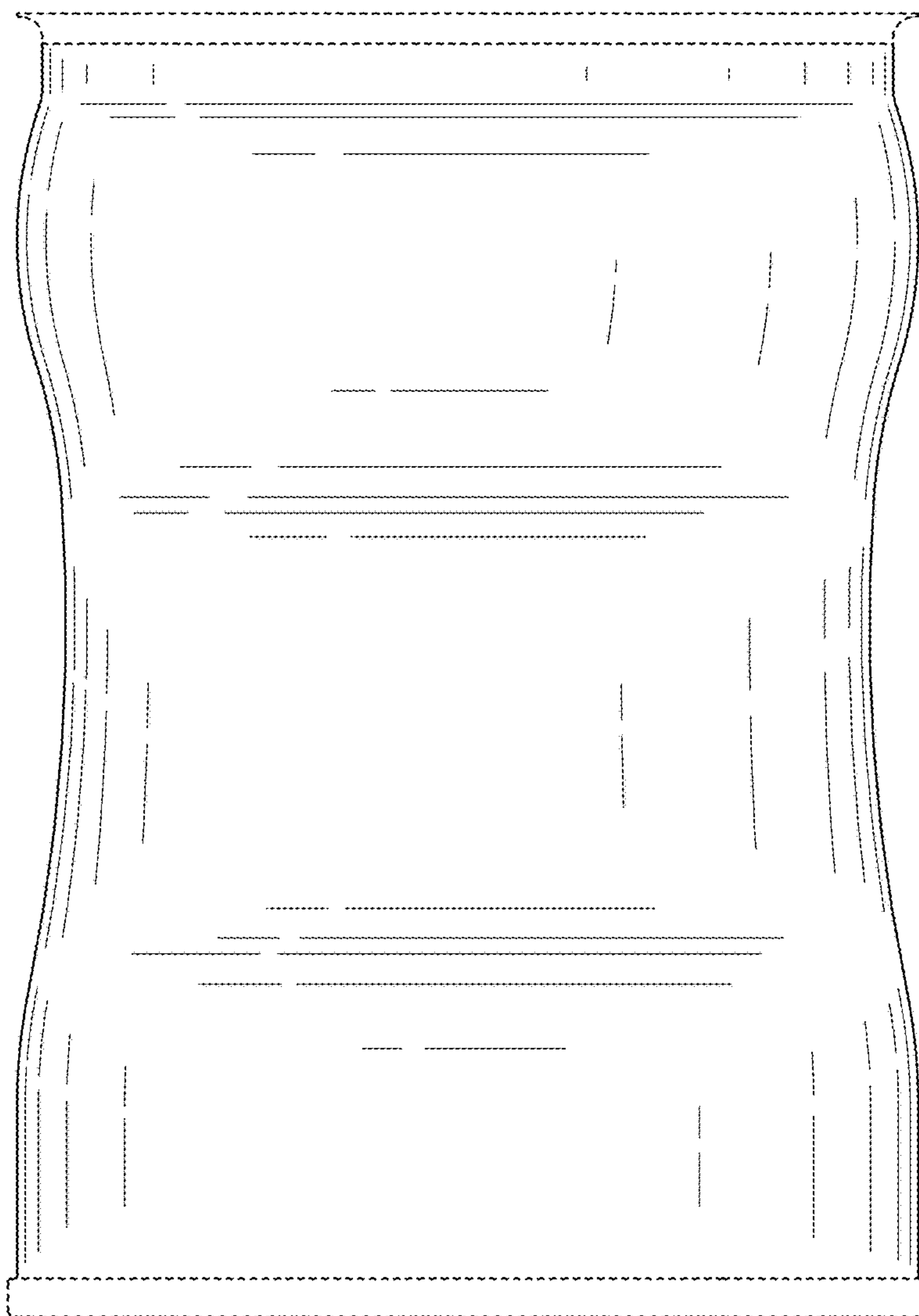


FIG. 2

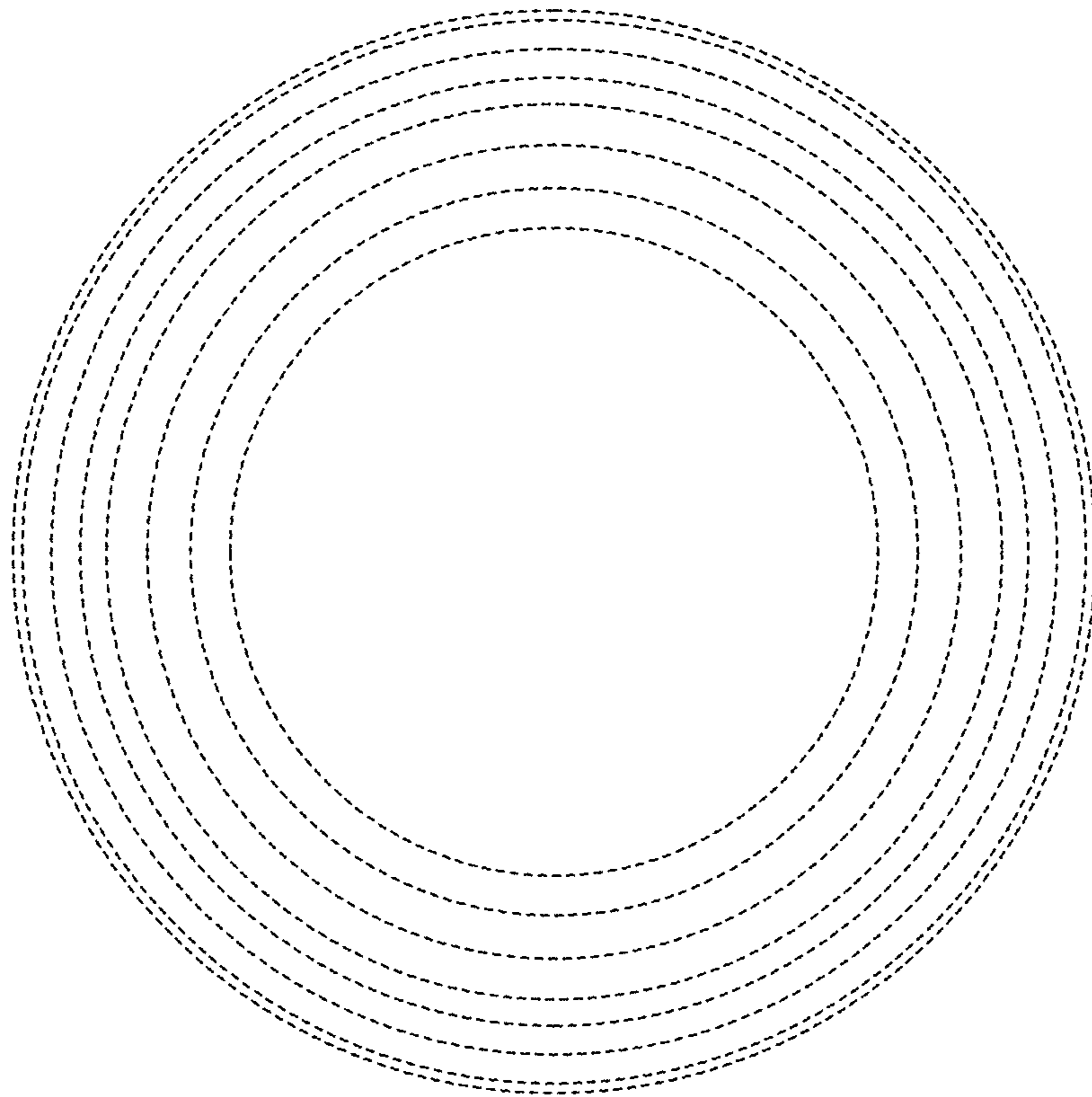


FIG. 3

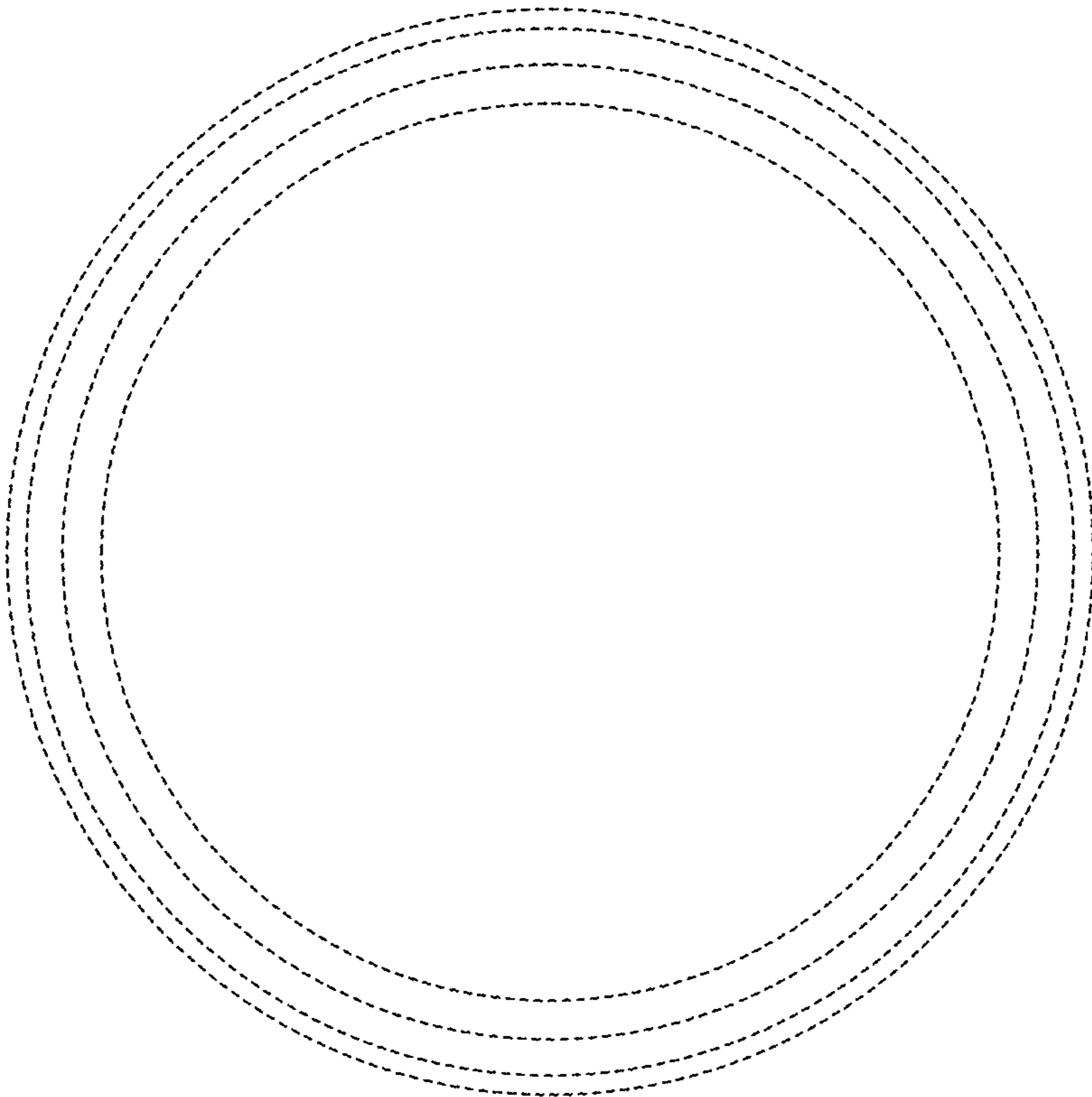


FIG. 4